



# Link-Belt & Rex Bearing Catalog



# Section Index

| Description   | Page       | Description  | Page       |
|---|------------|--|------------|
| <b>1 Rex® Spherical Roller Bearing Units</b>              | <b>5</b>   | <b>8 MB 25 &amp; 35 Series Ball Bearings</b>                         | <b>399</b> |
| Features & Benefits                                       | 6          | Features & Benefits  | 400        |
| Nomenclature  | 10         | Nomenclature   | 402        |
| Engineering   | 11         | Engineering  | 404        |
| Pillow Blocks   | 21         | Pillow Blocks  | 409        |
| Flange Blocks   | 51         | Flange Blocks  | 413        |
| Cartridge Blocks  | 73         | Cartridge Blocks   | 423        |
| Take-up Blocks  | 85         | Take-up Blocks   | 424        |
| Take-up Assemblies  | 93         | Take-up Frames   | 427        |
| Duplex Units  | 113        | Hanger Units   | 429        |
| Unmounted Replacement Bearings                            | 115        | Unmounted Replacement Bearings                                       | 431        |
| Replacement Kits  | 121        | <b>9 MB Krown Regal® Ball Bearings</b>                               | <b>439</b> |
| SHURLOK® Installation Tools                               | 122        | Features & Benefits  | 440        |
| <b>2 Link-Belt® Spherical Roller Bearing Units</b>        | <b>123</b> | Nomenclature   | 442        |
| Features & Benefits                                       | 124        | Engineering  | 443        |
| Nomenclature  | 126        | Pillow Blocks  | 447        |
| Engineering   | 127        | Flange Blocks  | 450        |
| Pillow Blocks   | 133        | Unmounted Replacement Bearings                                       | 456        |
| Flange Blocks   | 151        | <b>10 Link-Belt Rigid Sleeve Bearings</b>                            | <b>459</b> |
| Cartridge Blocks  | 163        | Features & Benefits  | 460        |
| Take-up Blocks  | 169        | Nomenclature   | 461        |
| Take-up Assemblies  | 173        | Engineering  | 462        |
| Take-up Frames  | 175        | Pillow Blocks  | 467        |
| Unmounted Replacement Bearings                            | 177        | Flange Blocks  | 473        |
| Replacement Kits  | 181        | Take-up Assemblies   | 474        |
| <b>3 Link-Belt Split Housed Spherical Roller Bearings</b> | <b>183</b> | Replacement Parts  | 475        |
| Features & Benefits                                       | 184        | <b>11 Link-Belt Flex Block Sleeve Bearings</b>                       | <b>479</b> |
| Nomenclature  | 186        | Features & Benefits  | 480        |
| Engineering   | 188        | Nomenclature   | 481        |
| Pillow Blocks   | 202        | Engineering  | 482        |
| Take-up Assemblies  | 221        | Pillow Blocks  | 485        |
| Replacement Parts   | 223        | Flange Blocks  | 486        |
| <b>4 Link-Belt Spherical Roller Bearings</b>              | <b>235</b> | Take-up Frame  | 488        |
| Features & Benefits                                       | 236        | <b>12 Link-Belt Cylindrical Roller Bearings</b>                      | <b>489</b> |
| Nomenclature  | 237        | Features & Benefits  | 490        |
| Selection Guide   | 238        | Nomenclature   | 491        |
| Engineering   | 240        | Engineering  | 492        |
| Unmounted Bearings  | 251        | Single Row   | 509        |
| <b>5 Link-Belt Klean-Gard &amp; Dura-Klean</b>            | <b>259</b> | Double Row   | 517        |
| Features & Benefits                                       | 260        | <b>13 Link-Belt A20000 Spherical Roller Bearings Roller Bearings</b> | <b>519</b> |
| Nomenclature  | 261        | Features & Benefits  | 520        |
| Engineering   | 262        | Nomenclature   | 521        |
| Pillow Blocks - Klean-Gard™                               | 265        | Selection Guide  | 522        |
| Flange Blocks - Klean-Gard                                | 266        | Engineering  | 524        |
| Pillow Blocks - Dura-Klean™                               | 269        | Series   | 526        |
| Flange Blocks - Dura-Klean                                | 271        | <b>14 Duralon</b>  | <b>529</b> |
| Take-up Blocks - Dura-Klean                               | 274        | Features & Benefits  | 530        |
| <b>6 Link-Belt 200 Series Ball Bearings</b>               | <b>275</b> | Nomenclature   | 531        |
| Features & Benefits                                       | 276        | Engineering  | 532        |
| Nomenclature  | 278        | Sleeve   | 533        |
| Engineering   | 280        | Annular  | 540        |
| Pillow Blocks   | 287        | Flange   | 541        |
| Flange Blocks   | 307        | Thrust Washers   | 542        |
| Take-up Blocks  | 343        | Annular  | 543        |
| Take-up Assemblies  | 351        | Mounting   | 544        |
| Take-up Frames  | 355        | <b>15 Engineering Section</b>  | <b>547</b> |
| Hanger and Trough Units                                   | 357        |  |            |
| Unmounted Replacement Bearings                            | 359        |  |            |
| <b>7 Link-Belt 300 Series Heavy Duty Ball Bearings</b>    | <b>373</b> |  |            |
| Features & Benefits                                       | 374        |  |            |
| Nomenclature  | 375        |  |            |
| Engineering   | 376        |  |            |
| Pillow Blocks   | 381        |  |            |
| Flange Blocks   | 386        |  |            |
| Cartridge Blocks  | 390        |  |            |
| Take-up Blocks  | 392        |  |            |
| Take-up Frames  | 393        |  |            |
| Unmounted Replacement Bearings                            | 394        |  |            |

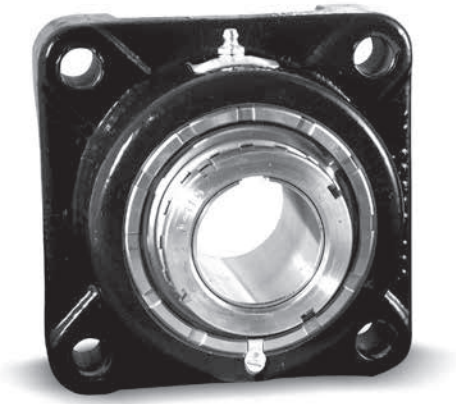
# Alphabetical Index

| Series Number   | Page    | Series Number  | Page    | Series Number  | Page    |
|-----------------|---------|----------------|---------|----------------|---------|
| 1100            | 468     | C35K           | 410     | FC3Y200        | 322     |
| 21300           | 470     | CB22400        | 167     | FC435          | 415     |
| 1000(Z)         | 467     | CB22600        | 168     | FC435K         | 414     |
| 105-120mm Bores | 499,514 | CL25K          | 412     | FCB22400       | 159-160 |
| 130-150mm Bores | 500,515 | CSEB22400      | 163-164 | FCB22600       | 161     |
| 160-200mm Bores | 501,516 | CSEB22500      | 165     | FCU/FCEU300    | 389     |
| 2000U           | 115-116 | CSEB22600      | 166     | FCU/FCEU3K00   | 388     |
| 21200(Z)        | 469     | CU/CEU300      | 391     | FF200          | 358     |
| 21400(Z)        | 471     | CU/CEU3K00     | 390     | FPS225         | 419     |
| 21500(Z)        | 472     | <b>D</b> _____ |         | FPS325         | 422     |
| 22200LB(K)      | 251-252 | DSB22400       | 173     | FPSR2(K)       | 420     |
| 22300LB(K)      | 253-254 | DSB2800        | 474     | FRU(G)200      | 336     |
| 23000LB(K)      | 255     | DSHB22500      | 174     | FRW(G)200      | 337     |
| 23100LB(K)      | 256     | DSL6800        | 221     | FRY(G)200      | 335     |
| 23200LB(K)      | 257     | <b>E</b> _____ |         | FU(G)200       | 333     |
| 23900LB(K)      | 258     | EFB22500       | 155     | FU/FEU300      | 387     |
| 25-40mm Bores   | 494,509 | EFB22600       | 156     | FU/FEU3K00     | 386     |
| 25-60mm Bores   | 517     | EFRB22400      | 154     | FW(G)200       | 334     |
| 2K1400(Z)       | 471     | EPB/EPEB22400  | 145     | FX3CL200       | 307-308 |
| 3000U           | 117     | EPB/EPEB22400F | 146     | FX3S200        | 312     |
| 3200F           | 487     | EPB/EPEB22500  | 147     | FX3U200        | 310     |
| 3200FX          | 486     | EPB/EPEB22500F | 147     | FX3W200        | 311     |
| 3200P           | 485     | EPB/EPEB22600  | 148     | FX3Y200        | 309     |
| 45-55mm Bores   | 495,510 | EPB/EPEB22600F | 149     | FXRU(G)200     | 330     |
| 5000U           | 118     | ER             | 435     | FXRW(G)200     | 331     |
| 6000U           | 119     | ER-K           | 434     | FXRY(G)200     | 329     |
| 60-70mm Bores   | 496,511 | ETPB22400      | 171     | FXU(G)200      | 327     |
| 75-85mm Bores   | 497,512 | <b>F</b> _____ |         | FXW(G)200      | 328     |
| 9000U           | 120     | F2200(Z)       | 473     | FXY(G)200      | 326     |
| 90-100mm Bores  | 498,513 | F3CL200        | 313-314 | FY(G)200       | 332     |
| <b>A</b> _____  |         | F3S200         | 319     | <b>G</b> _____ |         |
| A20000          | 527     | F3U200         | 316-317 | GMSA/GMSB      | 341     |
| A20000M         | 528     | F3W200         | 318     | <b>H</b> _____ |         |
| A20000S         | 526     | F3Y200         | 315     | Hex            | 368     |
| AG300L          | 394     | FB/FEB22400    | 151-152 | HM3U200        | 357     |
| <b>B</b> _____  |         | FB/FEB22600    | 153     | <b>K</b> _____ |         |
| B400L           | 177-178 | FB3S200        | 321     | KC45           | 447     |
| B500L           | 179     | FB3U200        | 320     | KC55           | 448     |
| B600L           | 180     | FBB22400       | 157     | KCL45          | 449     |
| BPLB6800        | 206     | FBB22600       | 158     | KFC245         | 450     |
| <b>C</b> _____  |         | FC225K         | 413     | KFC255         | 451     |
| C25K            | 409     | FC3S200        | 325     | KFC445         | 452     |
| C35             | 411     | FC3U200        | 323-323 | KFC455         | 453     |

| Series Number  | Page    | Series Number  | Page    | Series Number  | Page    |
|----------------|---------|----------------|---------|----------------|---------|
| KLFBSS200      | 268     | PFC455         | 455     | PLB7600F       | 210     |
| KLFSS200       | 267     | PH3U200        | 296     | PLB7800        | 227     |
| KLFXSS200      | 266     | PH3Y200        | 295     | PLB7800(F)     | 210     |
| KLPSS200       | 265     | PKB/PKEB22400  | 139-140 | PLB7900        | 228     |
| KMB25          | 431     | PKB/PKEB22400F | 141     | PLB7900(F)     | 213     |
| KMB35          | 432     | PKB/PKEB22500F | 142     | PLY300         | 385     |
| KMB45          | 456     | PKB/PKEB22600  | 143     | PSS200         | 306     |
| KMB55          | 457     | PKB/PKEB22600F | 144     | PSU200         | 304     |
| <b>L</b> _____ |         | PKLB6600F      | 207-208 | PSW200         | 305     |
| LC             | 355     | PKLB6800F      | 207-208 | PSY200         | 303     |
| LC             | 488     | PKLB6800FD8    | 209     | PT3S200        | 302     |
| LHD FRAME      | 175     | PKLB7600F      | 211     | PT3U200        | 301     |
| LHD FRAME      | 393     | PKLB7800F      | 211     | PU/PEU300      | 383     |
| <b>M</b> _____ |         | PL3S200        | 300     | PU/PEU3K00     | 382     |
| MB35           | 433     | PL3U200        | 298     | <b>R</b> _____ |         |
| MCHB           | 429     | PL3W200        | 299     | RER(K)         | 423     |
| MEHB           | 430     | PL3Y200        | 297     | Round          | 369-370 |
| MS/MSC         | 340     | PLB23000       | 215     | <b>S</b> _____ |         |
| MSL            | 436     | PLB23000       | 230     | SAF22300       | 213     |
| MSLN           | 437     | PLB23000K      | 214     | SAF22300       | 228     |
| MST            | 338     | PLB23000K      | 229     | SAF22600       | 212     |
| MSTR           | 339     | PLB23100       | 217     | SAF22600       | 226     |
| <b>N</b> _____ |         | PLB23100       | 232     | SG200          | 366     |
| NT3U200        | 354     | PLB23100K      | 216     | SG200ELPA      | 367     |
| <b>P</b> _____ |         | PLB23100K      | 231     | Square         | 371-372 |
| P2U300         | 384     | PLB23200       | 219     | <b>T</b> _____ |         |
| P3C200         | 289     | PLB23200       | 234     | T3U200         | 344     |
| P3CL200        | 287-288 | PLB23200K      | 218     | T3Y200         | 343     |
| P3S200         | 294     | PLB23200K      | 233     | TAS3U200       | 351     |
| P3U200         | 291-292 | PLB6600        | 223-224 | TB22400        | 169     |
| P3W200         | 293     | PLB6600D8      | 225     | TB22600        | 170     |
| P3Y200         | 290     | PLB6600F       | 202-204 | TC25K          | 424     |
| PA/PEA300      | 381     | PLB6600FD8     | 205     | TC35           | 426     |
| PB/PEB22400    | 133-134 | PLB66M00       | 223-224 | TC35K          | 425     |
| PB/PEB22400F   | 135     | PLB6800        | 223-224 | TDS3U200       | 352-353 |
| PB/PEB22500    | 136     | PLB6800(F)     | 202-204 | TFPS325        | 421     |
| PB/PEB22500F   | 136     | PLB6800D8      | 205     | TH3CL200       | 345-346 |
| PB/PEB22600    | 137     | PLB6800D8      | 225     | TH3S200        | 349     |
| PB/PEB22600F   | 138     | PLB6800FD8     | 205     | TH3U200        | 348     |
| PFC425K        | 416     | PLB68M00       | 223-224 | TH3Y200        | 347     |
| PFC435         | 418     | PLB6900        | 226     | TP             | 427     |
| PFC435K        | 417     | PLB6900(F)     | 212     | TPT            | 427     |
| PFC445         | 454     | PLB7600        | 227     | TQP            | 428     |

# Alphabetical Index

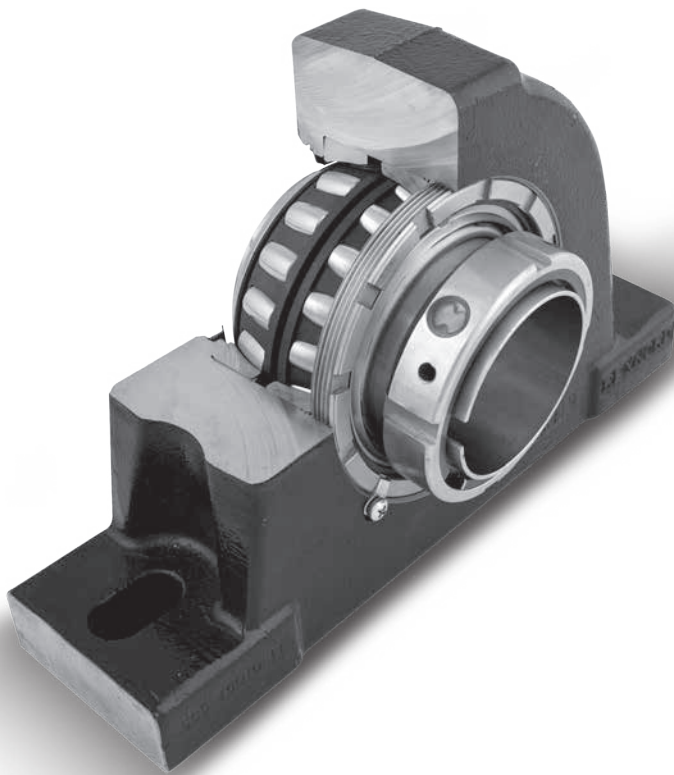
| Series Number  | Page    | Series Number | Page    | Series Number | Page   |
|----------------|---------|---------------|---------|---------------|--------|
| TSP            | 427     | ZBR3000       | 68      | ZST5000       | 99-100 |
| TSPT           | 427     | ZBR5000       | 69-70   | ZT2000        | 85-86  |
| TU300          | 392     | ZBR6000       | 71      | ZT3000        | 87     |
| <b>U</b> _____ |         | ZBR9000       | 72      | ZT5000        | 88-89  |
| U/UB200        | 361     | ZC(S)2000     | 73      | ZT6000        | 90     |
| UG/UGB200      | 362-363 | ZC(S)3000     | 74      | ZT9000        | 91     |
| UG300L         | 396     | ZC(S)5000     | 75      |               |        |
| UG3K00L        | 395     | ZC(S)6000     | 76      |               |        |
| <b>W</b> _____ |         | ZC(S)9000     | 77      |               |        |
| W/WB200        | 364     | ZD2000        | 113     |               |        |
| WF3S200        | 272     | ZD5000        | 114     |               |        |
| WFB3S200       | 273     | ZEF2000       | 61      |               |        |
| WFX3S200       | 271     | ZEF3000       | 62      |               |        |
| WG/WBG200      | 365     | ZEF5000       | 63      |               |        |
| WP3S200        | 269     | ZEF6000       | 64      |               |        |
| WPT3S200       | 270     | ZEF9000       | 65      |               |        |
| WTH3S200       | 274     | ZEP(S)2000    | 44-45   |               |        |
| <b>Y</b> _____ |         | ZEP(S)5000    | 47-48   |               |        |
| Y/YB200        | 359     | ZEP(S)6000    | 49      |               |        |
| YG/YBG200      | 360     | ZEP(S)9000    | 50      |               |        |
| YG300          | 397     | ZEP3000       | 46      |               |        |
| <b>Z</b> _____ |         | ZF(S)5000     | 57-58   |               |        |
| ZA(S)2000      | 26-27   | ZF(S)6000     | 59      |               |        |
| ZA(S)2000-72   | 34      | ZF(S)9000     | 60      |               |        |
| ZA(S)3000      | 28      | ZFT5000       | 110     |               |        |
| ZA(S)3000-72   | 35      | ZGT5000       | 111     |               |        |
| ZA(S)5000      | 29-30   | ZGT5000       | 111-112 |               |        |
| ZA(S)5000-72   | 36      | ZHT5000       | 93-95   |               |        |
| ZA(S)6000      | 31-32   | ZHT6000       | 96-98   |               |        |
| ZA(S)6000-72   | 37      | ZLF6000       | 25      |               |        |
| ZA(S)9000      | 33      | ZMC2000       | 78-79   |               |        |
| ZA(S)9000-72   | 38      | ZMC3000       | 80      |               |        |
| ZAF(S)5000     | 21-22   | ZMC5000       | 81-82   |               |        |
| ZAF(S)6000     | 23-24   | ZMC6000       | 83      |               |        |
| ZAT2000        | 108     | ZMC9000       | 84      |               |        |
| ZAT3000        | 109     | ZNT2000       | 101-102 |               |        |
| ZB(S)2000      | 51-52   | ZNT3000       | 103     |               |        |
| ZB(S)3000      | 53      | ZNT5000       | 104-105 |               |        |
| ZB(S)5000      | 54      | ZNT6000       | 106-107 |               |        |
| ZB(S)6000      | 55      | ZP(S)5000     | 39-40   |               |        |
| ZB(S)9000      | 56      | ZP(S)6000     | 41-42   |               |        |
| ZBR2000        | 66-67   | ZP(S)9000     | 43      |               |        |



### Industries Served

Mining  
Forest Products  
Aggregates  
Steel  
Air Handling  
Construction  
Package Handling

## Rex Spherical Roller Bearings



### Easy Bearing Clearance Adjustment

Can be field adjusted to meet application needs.

### Replaceable Bearing

Available in single set collar, double set collar, eccentric lock and adapter mounting to suit load and installation requirements.

### Shaft Ready

Pre-lubricated with our standard grease for normal operation; other lubricants available for special conditions.

### Super-finished Raceways

Super-finished raceways provide a cool running, quiet, high-speed and high-load capacity bearing.

### Rugged Housing

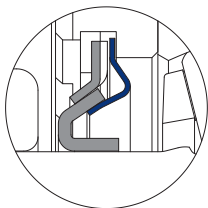
Standard material — cast iron. Steel or ductile iron available on request.

### Multiple Housing Styles

Providing mounting features to match the operational and structural requirements.

## Interchangeable Seals – Seal Types

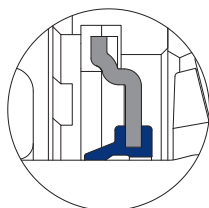
### Type Z Seal Clearance



Denoted with a "Z" prefix in the model number. The standard seal used in the majority of applications.

- No frictional drag — generates no heat
- No speed limitations
- All metal — no temperature limitations

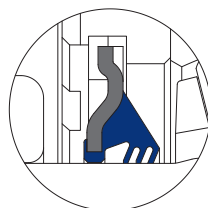
### Type K Seal Light Contact



Substitute prefix "K" for "Z" in model number. Molded nitrile rubber lip seals out contaminants.

- Protects against contaminants
- Handles high speeds and vibration
- Less drag and heat generation than heavy contact seals

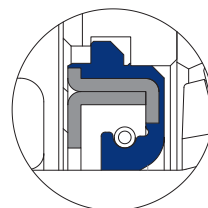
### Type G Triple Lip Seal



Substitute prefix "G" for "Z" in model number. Premium elastomer, heavy contact, triple lip seal.

- Protects against fine particles and moisture
- Three contacting lips provide constant contact even during misalignment
- Metal outboard guard protects inner seal lips from abrasion and damage

### Type M Seal Heavy Contact



Substitute prefix "M" for "Z" in model number. Premium elastomer, spring loaded contact lip.

- Protects against liquids and grit
- Spring loaded lip assures constant contact, even during misalignment
- Molded-in garter spring retains seal in housing
- Seals in lubricant on horizontal and vertical shafts
- Available in Viton® material



## Auxiliary Cap Seals

- Recommended for severe environments
- Provide supplemental protection for the primary seal
- Seals against liquids and gritty contaminants. Particularly effective against water washdown, taconite, cement, sand or caking build-up
- Provides safety, encloses rotating mounting hardware
- Protects primary seal from physical damage
- May be filled with grease to provide purging action
- Available as open or closed end cap

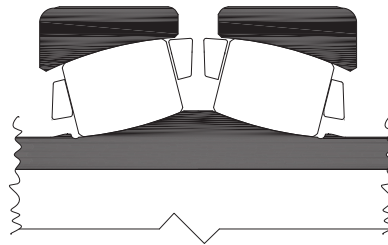


- Use “C” Suffix in model number
- Protects from rotating shaft exposure and Foreign material penetration

## Integral Self-Alignment

Rex® Roller Bearings represent the continuation of 80 years of bearing technology and experience. This design allows the inner race to misalign freely in any direction up to 4° of total misalignment.

By design, Rex Bearings accept both radial and thrust loads under static, oscillatory, or dynamic conditions. The load is taken on the roller raceways, not the roller ends. This means that when thrust is loaded up to their allowable limit, **Rex Bearings do not exhibit roller end wear.**



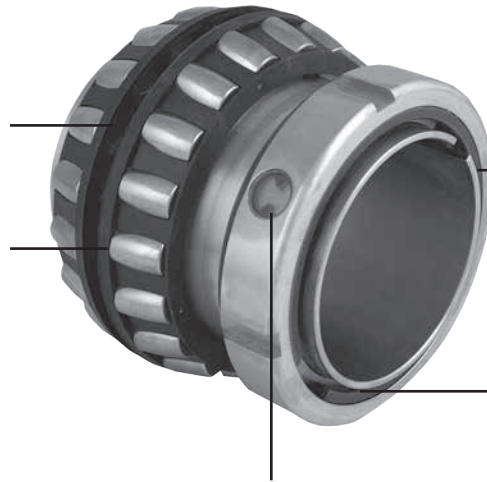
## Featuring Rex SHURLOK Adapter Mounts – Taking the Mystery Out of Mounting

Auxiliary end caps and four field interchangeable seal options ensure long bearing life through a full range of applications.

Self-aligning spherical roller bearing provides a total of 4° static and dynamic misalignment.

Super-finished raceways provide a cool running, quiet, high-speed and high-load capacity bearing

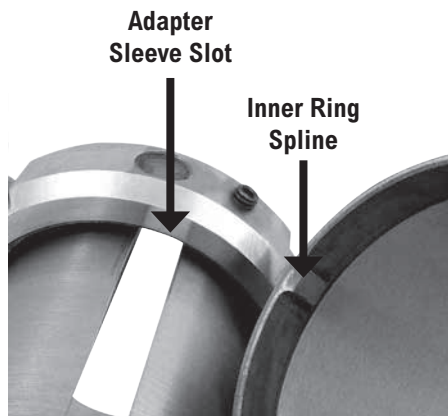
Roller elements are precision ground and super-finished to provide longer bearing life



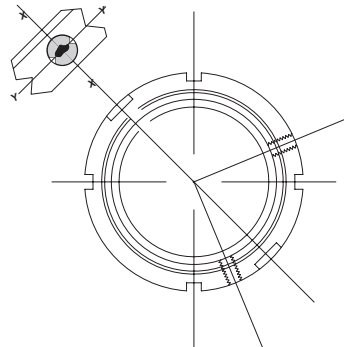
Adapter sleeve assembly allows easy installation/removal, plus enables use of commercial grade shafts

Positive Locking System allows minimal vibration during operation, therefore not requiring scheduled inspections for snugness of mountings

Spyglass™ Optical Strain Sensor (OSS) Technology reduces installation errors by changing color when tight

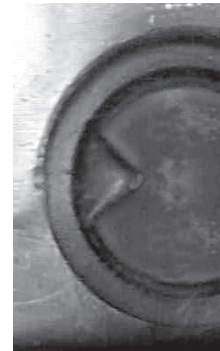


Positive Locking System



Mounting lockout utilizing Spyglass OSS

Not Installed



Installed



**Easy Installation:** Simply tighten the locknut until the Spyglass shows proper indication

## Rex 6000 Series SHURLOK Roller Bearings are Also Available with These Housings



Pillow Block



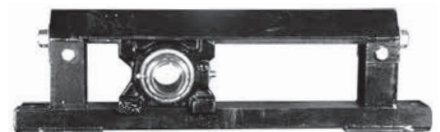
Flanged Units



Flanged Cartridge



Take-up Units



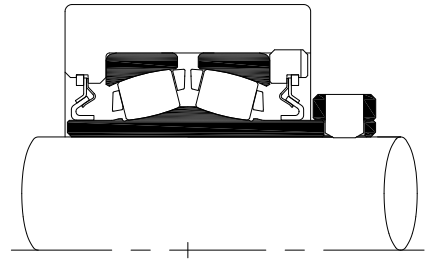
Take-up Assemblies

## Shaft Mounting Styles

The following five mounting styles are available in any Rex housing style.

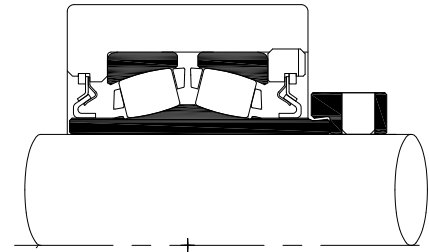
### 2000 Series Single Set Collar

- Normal duty
- Simplest installation
- Most economical



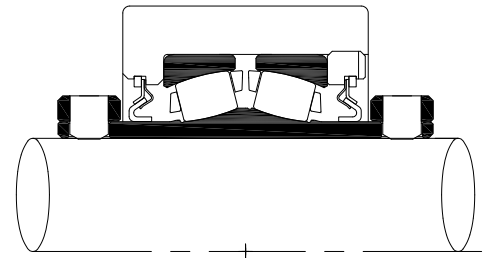
### 3000 Series Twist Lock™ Eccentric Locking Collar

- Medium duty
- Additional shaft holding power
- Accommodates undersized shafting
- Economical



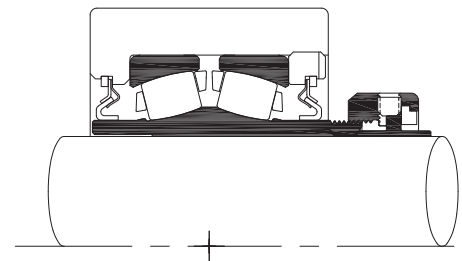
### 5000 Series Double Set Collar

- Heavy duty
- Increased shaft holding power and stability
- Moderate cost



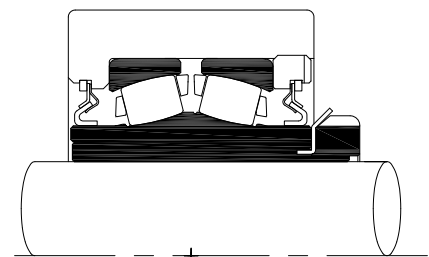
### 6000 Series SHURLOK Adapter Mount

- Heavy duty
- Spyglass Optical Strain Sensor (OSS) Technology
- Full bore contact for maximum shaft holding power, concentricity and running accuracy
- Accommodates undersized shafting
- Easily removable



### 9000 Series Adapter Mount

- Extra heavy duty
- Full bore contact for maximum shaft holding power, concentricity and running accuracy
- Accommodates undersized shafting



# Nomenclature

## Symbol

## Description

**A Z A - 2 207 F**

A Two open auxiliary end caps  
 B Two auxiliary end caps  
 (open on housing side, closed on threaded cover side)  
 X Designates "SPECIAL UNITS", contact Rexnord Industries

Z Clearance seal  
 K Light contact seal  
 M Heavy contact seal  
 G Triple Lip Seal

A Pillow block, fixed  
 AS Pillow block, floating  
 AF Pillow block, fixed SAF interchange  
 AFS Pillow block, floating SAF interchange  
 LF Split pillow block, fixed SAF interchange  
 LFS Split pillow block, floating SAF interchange  
 P Pillow block, fixed  
 PS Pillow block, floating  
 EP Pillow block, fixed Type E interchange  
 EPS Pillow block, floating Type E interchange  
 B Flanged block, fixed 4-bolt  
 BS Flanged block, floating 4-bolt  
 EF Flanged block, fixed 4-bolt Type E interchange  
 F Flanged block, fixed 4 or 6-bolt  
 FS Flanged block, floating 4 or 6-bolt  
 BR Flanged cartridge block, fixed 4-bolt round  
 CS Cartridge block, steel housing  
 MC Cartridge block, cast iron housing  
 D Duplex unit  
 N Take-up block for protected screw frame  
 T Take-up block for center pull frame  
 AT Center pull take-up assembly  
 NT Protected screw take-up assembly  
 HT Center pull take-up assembly  
 FT Elevator boot end take-up assembly  
 GT Elevator head end take-up assembly  
 ST Center pull spring loaded take-up assembly

11 Size code – only for take-up blocks and assemblies

2 2000 Series, single set collar  
 3 3000 Series, eccentric locking collar  
 5 5000 Series, double set collar  
 6 6000 Series, SHURLOK® tapered adapter sleeve  
 9 9000 Series, tapered adapter sleeve

207 2 7/16" – last two digits in 16<sup>th</sup> of an inch  
 100MM 100 millimeters

24 Inches of take-up adjustment – only for take-up assemblies  
 A One open auxiliary end cap (threaded cover side)  
 B One closed auxiliary end cap (threaded cover side)  
 C Closed end cap  
 F 4-bolt housing (pillow blocks only)  
 G Face locked threaded cover  
 H Reverse assembly  
 PL Precision bore diameter and bore roundness  
 R Tight fit of outer races in housing (high vibration, shock loading)  
 S Machined pilot on face of flanged units  
 V Viton seal material (when M seal suffix is used)  
 Y Redesigned shaft size – not interchangeable  
 04 C5 internal clearance (high temperature)  
 05 C4 internal clearance (high speed)  
 06 C0 internal clearance  
 07 C2 internal clearance  
 40 Preservative only, no lubrication in unit  
 42 Grease designation for Chevron SRI #2  
 43 Grease designation for Mobilith SHC460  
 63 Grease designation for Mobilith SHC100  
 66 Housing drilled both sides for aux caps  
 72 Steel housing  
 78 Steel retainers  
 82 Inner race with Rexlon lined bore - teflon material

## Seal Rating Guide

| Application Conditions             | Seal Ratings |               |               |       |            |                             |
|------------------------------------|--------------|---------------|---------------|-------|------------|-----------------------------|
|                                    | Clearance    | Light Contact | Heavy Contact | Viton | Triple Lip | Auxiliary Cap Consideration |
|                                    | Z            | K             | M             | M     | G          |                             |
| <b>Shaft position</b>              |              |               |               |       |            |                             |
| Horizontal Shaft                   | 4            | 4             | 4             | 4     | 4          |                             |
| Vertical Shaft                     | 1            | 3             | 4             | 4     | 4          |                             |
| <b>Operating Temperature</b>       |              |               |               |       |            |                             |
| Below -40°F                        | 4            | 1             | 1             | 2     | 1          |                             |
| -40°F to 0°F                       | 4            | 3             | 3             | 4     | 3          |                             |
| 0°F to +250°F                      | 4            | 4             | 4             | 4     | 4          |                             |
| +250°F to +400°F                   | 4            | 0             | 0             | 4     | 0          |                             |
| Over 400°F                         | 4            | 0             | 0             | 0     | 0          |                             |
| <b>Speed</b>                       |              |               |               |       |            |                             |
| Equal to / Less than limit below   | 4            | 4             | 4             | 4     | 4          |                             |
| More than limit below              | 4            | 1             | 1             | 1     | 1          |                             |
| <b>Vibration/Shock</b>             |              |               |               |       |            |                             |
| Occasional - Mild                  | 3            | 4             | 4             | 4     | 4          |                             |
| Occasional - Severe                | 2            | 4             | 4             | 4     | 4          |                             |
| Continuous - Mild                  | 1            | 4             | 3             | 3     | 3          |                             |
| Continuous - Severe                | 0            | 4             | 3             | 3     | 3          |                             |
| <b>Abrasive Material</b>           |              |               |               |       |            |                             |
| Coarse - Over #10 Mesh             | 4            | 4             | 4             | 4     | 4          | X                           |
| Small - #10 to #50 Mesh            | 3            | 4             | 4             | 4     | 4          | X                           |
| Fine - #50 to #200 Mesh            | 1            | 3             | 4             | 4     | 4          | X                           |
| Very fine - Under #200 Mesh        | 0            | 3             | 4             | 4     | 4          | X                           |
| “Caking or buildup” (cement, etc.) | 2            | 4             | 4             | 4     | 4          | X                           |
| <b>Moisture</b>                    |              |               |               |       |            |                             |
| Splash                             | 2            | 3             | 4             | 4     | 4          | X                           |
| Rain                               | 2            | 3             | 4             | 4     | 4          | X                           |
| Saturated Atmosphere               | 1            | 3             | 4             | 4     | 4          | X                           |
| Flooding                           | 0            | 1             | 3             | 3     | 4          | X                           |
| Pressure Wash                      | 0            | 1             | 4             | 4     | 4          | X                           |
| <b>Fibrous Material</b>            |              |               |               |       |            |                             |
| Short Fibers (lint, etc.)          | 1            | 3             | 4             | 4     | 4          | X                           |
| Long Fibers (grass, etc.)          | 1            | 3             | 4             | 4     | 4          | X                           |
| <b>Chemical</b>                    |              |               |               |       |            |                             |
| Acid Fumes and Liquids             | 1            | 1             | 1             | 4     | 1          | X                           |
| Alkaline Fumes and Liquids         | 1            | 1             | 1             | 4     | 1          | X                           |

To extend life in tough applications, our application experience indicates that special consideration should be given to the addition of Auxiliary Cap Seals in the areas shaded with and “X” on the chart.

### Rating Code

- 4 - Excellent - Best seal for conditions listed.
- 3 - Good - Sealability is above average.
- 2 - Fair - Seal performs under intermittent conditions.
- 1 - Limited - Actual conditions must be known to evaluate sealability. Contact Rexnord for special assistance in the realm of materials and designs.
- 0 - Not acceptable - Will not effectively perform seal functions. Contact Rexnord for special assistance in the realm of materials and designs.

### Seal Selection Guide

The choice of the seal for a mounted bearing is often the key to successful bearing operation and long service life. The SEAL SELECTION GUIDE incorporates years of Rexnord’s experience against the wide variety of conditions encountered on actual applications. Following the simple selection procedure outlined can translate the benefits of that broad experience to the individual applications through the choice of the most effective seal.

### How to Use the Selection Guide

- The appropriate seal for a given application may be selected by comparing the job application conditions against those listed in the Seal Rating Guide on this page.
- When more than one application condition is present, the most appropriate seal may be selected based on prime sealing for the most detrimental condition, and secondary consideration given to the other application conditions.
- Addition of auxiliary caps will enhance the primary seal performance shown in the chart.

### Considerations in Addition to Seal Selection

Under certain adverse conditions, other changes should be considered to achieve maximum bearing life:

- A. High temperature lubricants where housing or ambient temperatures exceed +200°F;
- B. Special greases for additional bearing protection where excessive water, solvents or chemicals are present.
- C. EP (extreme pressure) greases where high load, high shock load, or continuous vibration is present.
- D. Readjustment of internal operating clearance of bearing where extreme high or low temperature conditions exist.

## Seal Speed Limit Table\*

| Size Code      |      | 2    | 3    | 4    | 5    | 6    | 7    | 8    | 9    | 10    | 11   | 12    | 13   | 14   | 15   | 16   |  |
|----------------|------|------|------|------|------|------|------|------|------|-------|------|-------|------|------|------|------|--|
| Bearing Number | 2000 | 2012 | 2102 | 2107 | 2111 | 2115 | 2203 | 2206 | 2211 | 2303  | 2311 |       |      |      |      |      |  |
|                |      | 2012 | 2103 | 2108 | 2112 | 2200 | 2204 | 2207 | 2208 | 2212  | 2307 | 2315  |      |      |      |      |  |
|                |      | 2100 | 2104 |      |      |      |      |      | 2215 | 2308  | 2400 |       |      |      |      |      |  |
|                |      |      |      | 3107 | 3111 | 3115 | 3203 | 3207 | 3211 | 3307  | 3315 |       |      |      |      |      |  |
|                |      |      |      |      |      |      |      |      | 3208 | 3308  |      |       |      |      |      |      |  |
| (RPM)          | 5000 |      |      | 5107 | 5108 | 5115 | 5200 | 5207 | 5208 | 5303  | 5311 | 5403Y | 5415 | 5507 | 5515 | 5607 |  |
|                |      |      |      |      | 5111 |      | 5203 |      | 5215 | 5307  | 5315 | 5407Y | 5500 | 5600 | 5615 | 5700 |  |
|                | 6000 |      |      | 6107 | 6111 | 6115 | 6203 | 6206 | 6211 | 6303  | 6311 | 6403Y | 6415 | 6507 | 6515 | 6607 |  |
|                |      |      |      |      |      |      |      | 6207 | 6212 | 6307  | 6315 | 6407Y |      |      |      | 6615 |  |
| 9000           |      |      |      |      |      |      | 9115 | 9203 | 9207 | 9211  | 9303 | 9311Y | 9403 | 9415 | 9503 | 9515 |  |
|                |      |      |      |      |      |      | 9200 |      | 9208 | 9215  | 9307 | 9315Y | 9407 | 9500 | 9507 | 9600 |  |
|                |      |      |      |      |      |      |      |      | 9300 | 9400Y |      |       |      |      | 9607 |      |  |
| (RPM)          | Z    | 6500 | 5750 | 5250 | 4450 | 4050 | 3650 | 3300 | 2800 | 2400  | 2050 | 1850  | 1600 | 1000 | 900  | 800  |  |
|                | K    | 4500 | 4000 | 3600 | 3100 | 2800 | 2500 | 2300 | 1900 | 1700  | 1400 | N/A   | N/A  | N/A  | N/A  | N/A  |  |
|                | M    | 4400 | 3700 | 3300 | 2800 | 2500 | 2200 | 2000 | 1700 | 1400  | 1200 | 1100  | 1000 | 900  | 800  | 700  |  |
|                | G    | N/A  | 2375 | 2175 | 1850 | 1675 | 1500 | 1350 | 1150 | 1000  | 850  | 775   | 650  | N/A  | N/A  | N/A  |  |
| Size Code      |      | 2    | 3    | 4    | 5    | 6    | 7    | 8    | 9    | 10    | 11   | 12    | 13   | 14   | 15   | 16   |  |

Refer to Seal Rating Guide shown above for speeds in excess of those listed in this table.

\*Actual bearing speed limits are largely based upon the applied load and can be found on the Load Rating Table.

# Rex Spherical Roller Bearings Selection Guide

To select a bearing, determine the applied radial load, the applied thrust load, the desired Rating Life, and applicable operating conditions. The procedure shown here will aid in selecting a bearing to meet an  $L_{10}$  design life. The formulas for calculating life expectancy should be used to determine the Rating Life  $L_{10}$  for the bearing selected.

The selection procedures and rating formulas shown here are in agreement with The American Bearing Manufacturers Association Standards and ANSI/ABMA STD 9-1990. Ratings are based on fatigue life. The Rating Life  $L_{10}$  or fatigue life at 90% reliability is the usual basis for bearing selection.

To assure a satisfactory bearing application, fitting practice, mounting, lubrication, sealing, static rating, housing strength, operating conditions and maintenance must be considered.

## Steps for Selection

### Step 1

Determine an appropriate  $L_{10}$  design life.

| Type of service          | Operating time, hours per year | Design life, years | $L_{10}$ design life, hours |
|--------------------------|--------------------------------|--------------------|-----------------------------|
| Light seasonal usage     | 500 to 750                     | 3-5                | 3,000                       |
| Heavy seasonal usage     | 1,400 to 1,600                 | 4-6                | 8,000                       |
| Industrial—8 hour shift  | 2,000                          | 10                 | 20,000                      |
| Industrial—16 hour shift | 4,000                          | 10                 | 40,000                      |
| Industrial—continuous    | 8,700                          | 10                 | 80,000 to 100,000           |

### Step 2

Determine a required  $\left(\frac{C}{P}\right)$  from Table 1.

### Step 3

Calculate the required C and select a roller bearing.

a For radial load only:

$$P = F_r$$

$$\text{required } C = \left(\frac{C}{P}\right) P \text{ using } \left(\frac{C}{P}\right) \text{ from Step 2}$$

Select a roller bearing from Table 2 with a basic load rating C equal to or greater than the required C.

### Step 3 (continued)

b For combined radial and thrust loads:

Select a trial roller bearing of the desired shaft size from Table 2.

Calculate the ratio of thrust load  $F_a$  to the radial load  $F_r$ .

$$\frac{F_a}{F_r}$$

Calculate the equivalent radial load P

$$P = X F_r + Y F_a$$

If  $\frac{F_a}{F_r}$  is equal to or less than e, then  $P = X1 F_r + Y1 F_a$

If  $\frac{F_a}{F_r}$  is greater than e, then  $P = X2 F_r + Y2 F_a$

For values of e, X1, Y1, X2, and Y2, see Table 2.

Calculate the required C

$$\text{required } C = \left(\frac{C}{P}\right) P \text{ using } \left(\frac{C}{P}\right) \text{ from Step 2.}$$

Consult Table 2, basic load rating. If a smaller bearing meets, or nearly meets, the required C, its life expectancy can be calculated.

Note: If the load P is greater than .25C, consult Rexnord Bearing Division.

## Selection

### Symbols for formulas:

- C = basic load rating, pounds (or newtons)      n = speed, revolutions per minute  
 Co = static load rating, pounds (or newtons)      P = equivalent radial load, pounds (or newtons)  
 e = a reference value      X = radial factor  
 Fa = thrust load, pounds (or newtons)      Y = thrust factor  
 Fr = radial load, pounds (or newtons)  
 L<sub>10</sub> = rating life, hours

**Table 1 • Relation of L<sub>10</sub> life and speed to  $\left(\frac{C}{P}\right)$**

| Bearing Life Hours L <sub>10</sub> | Speed, n |      |       |       |       |       |       |       |       |  |
|------------------------------------|----------|------|-------|-------|-------|-------|-------|-------|-------|--|
|                                    | 50       | 100  | 200   | 300   | 400   | 500   | 600   | 700   | 800   |  |
| 3000                               | 1.93     | 2.38 | 2.93  | 3.31  | 3.61  | 3.86  | 4.07  | 4.27  | 4.44  |  |
| 4000                               | 2.11     | 2.59 | 3.19  | 3.61  | 3.93  | 4.20  | 4.44  | 4.65  | 4.84  |  |
| 5000                               | 2.25     | 2.77 | 3.42  | 3.86  | 4.20  | 4.50  | 4.75  | 4.97  | 5.18  |  |
| 6000                               | 2.38     | 2.93 | 3.61  | 4.07  | 4.44  | 4.75  | 5.02  | 5.25  | 5.47  |  |
| 8000                               | 2.59     | 3.19 | 3.93  | 4.44  | 4.84  | 5.18  | 5.47  | 5.73  | 5.96  |  |
| 10000                              | 2.77     | 3.42 | 4.20  | 4.75  | 5.18  | 5.54  | 5.85  | 6.12  | 6.37  |  |
| 12000                              | 2.93     | 3.61 | 4.44  | 5.02  | 5.47  | 5.85  | 6.18  | 6.47  | 6.73  |  |
| 14000                              | 3.07     | 3.78 | 4.65  | 5.25  | 5.73  | 6.12  | 6.47  | 6.77  | 7.05  |  |
| 16000                              | 3.19     | 3.93 | 4.84  | 5.47  | 5.96  | 6.37  | 6.73  | 7.05  | 7.34  |  |
| 18000                              | 3.31     | 4.07 | 5.02  | 5.66  | 6.18  | 6.60  | 6.97  | 7.30  | 7.60  |  |
| 20000                              | 3.42     | 4.20 | 5.18  | 5.85  | 6.37  | 6.81  | 7.20  | 7.54  | 7.85  |  |
| 25000                              | 3.65     | 4.50 | 5.54  | 6.25  | 6.81  | 7.29  | 7.70  | 8.06  | 8.39  |  |
| 30000                              | 3.86     | 4.75 | 5.85  | 6.60  | 7.20  | 7.70  | 8.13  | 8.51  | 8.86  |  |
| 35000                              | 4.04     | 4.97 | 6.12  | 6.92  | 7.54  | 8.06  | 8.51  | 8.92  | 9.28  |  |
| 40000                              | 4.20     | 5.18 | 6.37  | 7.20  | 7.85  | 8.39  | 8.86  | 9.28  | 9.66  |  |
| 45000                              | 4.36     | 5.36 | 6.60  | 7.46  | 8.13  | 8.69  | 9.18  | 9.61  | 10.00 |  |
| 50000                              | 4.50     | 5.54 | 6.81  | 7.70  | 8.39  | 8.97  | 9.48  | 9.92  | 10.30 |  |
| 60000                              | 4.75     | 5.85 | 7.20  | 8.13  | 8.86  | 9.48  | 10.00 | 10.50 | 10.90 |  |
| 70000                              | 4.97     | 6.12 | 7.54  | 8.51  | 9.28  | 9.92  | 10.50 | 11.00 | 11.40 |  |
| 80000                              | 5.18     | 6.37 | 7.85  | 8.86  | 9.66  | 10.30 | 10.90 | 11.40 | 11.90 |  |
| 90000                              | 5.36     | 6.60 | 8.13  | 9.18  | 10.00 | 10.70 | 11.30 | 11.80 | 12.30 |  |
| 100000                             | 5.54     | 6.81 | 8.39  | 9.48  | 10.30 | 11.00 | 11.70 | 12.20 | 12.70 |  |
| 150000                             | 6.25     | 7.70 | 9.48  | 10.70 | 11.70 | 12.50 | 13.20 | 13.80 | 14.40 |  |
| 200000                             | 6.81     | 8.39 | 10.30 | 11.70 | 12.70 | 13.60 | 14.40 | 15.00 | 15.70 |  |

| Bearing Life Hours L <sub>10</sub> | Speed, n |       |       |       |       |       |       |       |       |  |
|------------------------------------|----------|-------|-------|-------|-------|-------|-------|-------|-------|--|
|                                    | 900      | 1000  | 1200  | 1500  | 1800  | 2400  | 3000  | 3600  | 6000  |  |
| 3000                               | 4.60     | 4.75  | 5.02  | 5.36  | 5.66  | 6.18  | 6.60  | 6.97  | 8.13  |  |
| 4000                               | 5.02     | 5.18  | 5.47  | 5.85  | 6.18  | 6.73  | 7.20  | 7.60  | 8.86  |  |
| 5000                               | 5.36     | 5.54  | 5.85  | 6.25  | 6.60  | 7.20  | 7.70  | 8.13  | 9.48  |  |
| 6000                               | 5.66     | 5.85  | 6.18  | 6.60  | 6.97  | 7.60  | 8.13  | 8.59  | 10.00 |  |
| 8000                               | 6.18     | 6.37  | 6.73  | 7.20  | 7.60  | 8.29  | 8.86  | 9.36  | 10.90 |  |
| 10000                              | 6.60     | 6.81  | 7.20  | 7.70  | 8.13  | 8.86  | 9.48  | 10.00 | 11.70 |  |
| 12000                              | 6.97     | 7.20  | 7.60  | 8.13  | 8.59  | 9.36  | 10.00 | 10.60 | 12.30 |  |
| 14000                              | 7.30     | 7.54  | 7.96  | 8.51  | 8.99  | 9.80  | 10.50 | 11.10 | 12.90 |  |
| 16000                              | 7.60     | 7.85  | 8.29  | 8.86  | 9.36  | 10.20 | 10.90 | 11.50 | 13.40 |  |
| 18000                              | 7.88     | 8.13  | 8.59  | 9.18  | 9.70  | 10.60 | 11.30 | 11.90 | 13.90 |  |
| 20000                              | 8.13     | 8.39  | 8.86  | 9.48  | 10.00 | 10.90 | 11.70 | 12.30 | 14.40 |  |
| 25000                              | 8.69     | 8.97  | 9.48  | 10.10 | 10.70 | 11.70 | 12.50 | 13.20 | 15.40 |  |
| 30000                              | 9.18     | 9.48  | 10.00 | 10.70 | 11.30 | 12.30 | 13.20 | 13.90 | 16.20 |  |
| 35000                              | 9.61     | 9.92  | 10.50 | 11.20 | 11.80 | 12.90 | 13.80 | 14.60 | 17.00 |  |
| 40000                              | 10.00    | 10.30 | 10.90 | 11.70 | 12.30 | 13.40 | 14.40 | 15.20 | 17.70 |  |
| 45000                              | 10.40    | 10.70 | 11.30 | 12.10 | 12.80 | 13.90 | 14.90 | 15.70 | 18.30 |  |
| 50000                              | 10.70    | 11.00 | 11.70 | 12.50 | 13.20 | 14.40 | 15.40 | 16.20 | 18.90 |  |
| 60000                              | 11.30    | 11.70 | 12.30 | 13.20 | 13.90 | 15.20 | 16.20 | 17.10 | 20.00 |  |
| 70000                              | 11.80    | 12.20 | 12.90 | 13.80 | 14.60 | 15.90 | 17.00 | 17.90 | 20.90 |  |
| 80000                              | 12.30    | 12.70 | 13.40 | 14.40 | 15.20 | 16.50 | 17.70 | 18.70 | 21.80 |  |
| 90000                              | 12.80    | 13.20 | 13.90 | 14.90 | 15.70 | 17.10 | 18.30 | 19.40 | 22.60 |  |
| 100000                             | 13.20    | 13.60 | 14.40 | 15.40 | 16.20 | 17.70 | 18.90 | 20.00 | 23.30 |  |
| 150000                             | 14.90    | 15.40 | 16.20 | 17.30 | 18.30 | 20.00 | 21.40 | 22.60 | 26.30 |  |
| 200000                             | 16.20    | 16.70 | 17.70 | 18.90 | 20.00 | 21.80 | 23.30 | 24.60 | 28.70 |  |

## Basic Formula

$$\left(\frac{C}{P}\right) = \left(\frac{L_{10} \times n \times 60}{1,000,000}\right)^{3/10}$$

$$L_{10} = \frac{\left(\frac{C}{P}\right)^{10/3} \times 1,000,000}{n \times 60}$$

## Life Expectancy

To calculate the Rating Life L<sub>10</sub> of any selected or trial bearing:

### Step 1

Determine the equivalent radial load P.

**a** For radial load only:

$$P = Fr$$

**b** For combined radial and thrust load:

$$P = XFr + YFa$$

if  $\frac{Fa}{Fr}$  is equal to or less than e, then

$$P = X1Fr + Y1Fa$$

if  $\frac{Fa}{Fr}$  is greater than e, then

$$P = X2Fr + Y2Fa$$

For values of e, X1, Y1, X2, and Y2, consult the appropriate bearing rating Table 2.

### Step 2

Calculate the ratio of the basic load rating C to the equivalent radial load.

$$\left(\frac{C}{P}\right)$$

### Step 3

Approximate the bearing life from Table 1.

### Life Adjustment

The Rating Life, L<sub>10</sub>, may be modified for some applications in accordance with the formula

$$Ln = a1a2a3L_{10}$$

where Ln = Adjusted life for (100-n) % reliability,

a<sub>1</sub> = Life adjustment factor for reliability

a<sub>2</sub> = Life adjustment factor

for material and processing

a<sub>3</sub> = Life adjustment factor for operating conditions.

For most normal applications, all factors will be taken as 1, and the Rating Life used as the selection basis or life estimate. In addition, as long as standard catalog bearings are used, a<sub>2</sub> will be normally set equal to one.

The factor a<sub>3</sub> covers such things as lubrication, misalignment, and temperature. Some conditions that could yield a<sub>3</sub> significantly different than unity include speeds less than 20000 DN or greater than 200000 DN, temperatures below -40°F (-40°C) or above 275°F (135°C). For other possible conditions, as well as additional information on life adjustment factors, consult Rexnord Bearing Division.

**Table 2 • Load Ratings and Speed Limits**

| Size Code | Co Static load rating |        | C Basic load rating* |         | Approximate speed limit RPM |        |        |        | e    | Fa<br>Fr ≤ e |      | Fa<br>Fr > e |      |
|-----------|-----------------------|--------|----------------------|---------|-----------------------------|--------|--------|--------|------|--------------|------|--------------|------|
|           | newtons               | pounds | newtons              | pounds  | Z seal                      | K seal | M seal | G seal |      | X1           | Y1   | X2           | Y2   |
|           |                       |        |                      |         |                             |        |        |        |      |              |      |              |      |
| 2         | 66279                 | 14900  | 68147                | 15,320  | 6500                        | 4500   | 4400   | -      | 0.51 | 1.00         | 1.32 | 0.67         | 1.96 |
| 3         | 81402                 | 18300  | 83849                | 18,850  | 5750                        | 4000   | 3700   | 2375   | 0.48 | 1.00         | 1.40 | 0.67         | 2.09 |
| 4         | 92968                 | 20900  | 88342                | 19,860  | 5250                        | 3600   | 3300   | 2175   | 0.44 | 1.00         | 1.54 | 0.67         | 2.29 |
| 5         | 127664                | 28700  | 123750               | 27,820  | 4450                        | 3100   | 2800   | 1850   | 0.45 | 1.00         | 1.51 | 0.67         | 2.24 |
| 6         | 147681                | 33200  | 128509               | 28,890  | 4050                        | 2800   | 2500   | 1675   | 0.40 | 1.00         | 1.68 | 0.67         | 2.50 |
| 7         | 197501                | 44400  | 161782               | 36,370  | 3650                        | 2500   | 2200   | 1500   | 0.40 | 1.00         | 1.68 | 0.67         | 2.50 |
| 8         | 237980                | 53500  | 192341               | 43,240  | 3300                        | 2300   | 2000   | 1350   | 0.38 | 1.00         | 1.80 | 0.67         | 2.68 |
| 9         | 318048                | 71500  | 256885               | 57,750  | 2800                        | 1900   | 1700   | 1150   | 0.38 | 1.00         | 1.79 | 0.67         | 2.66 |
| 10        | 403454                | 90700  | 375119               | 84,330  | 2400                        | 1700   | 1400   | 1000   | 0.38 | 1.00         | 1.77 | 0.67         | 2.63 |
| 11        | 609406                | 137000 | 582584               | 130,970 | 2050                        | 1400   | 1200   | 850    | 0.36 | 1.00         | 1.88 | 0.67         | 2.80 |
| 12        | 708602                | 159300 | 665009               | 149,500 | 1850                        | -      | 1100   | 775    | 0.33 | 1.00         | 2.02 | 0.67         | 3.00 |
| 13        | 1076025               | 241900 | 850055               | 191,100 | 1600                        | -      | 1000   | 650    | 0.37 | 1.00         | 1.81 | 0.67         | 2.70 |
| 14        | 1219258               | 274100 | 1021401              | 229,620 | 1000                        | -      | 900    | -      | 0.38 | 1.00         | 1.78 | 0.67         | 2.66 |
| 15        | 1354928               | 304600 | 1104049              | 248,200 | 900                         | -      | 800    | -      | 0.35 | 1.00         | 1.93 | 0.67         | 2.87 |
| 16        | 1759272               | 395500 | 1378326              | 309,860 | 800                         | -      | 700    | -      | 0.33 | 1.00         | 2.07 | 0.67         | 3.09 |

\*Values in table represent the 9000 and 6000 series bearings. When commercial grade shafting and clearance mounting are used, the table values should be reduced up to 5% for the 5000 series, 10% reduction for 3000 and reduced up to 15% for the 2000 series.

**Adjustment Table**

| Size Code | Shaft Size (Inches) |                 |                | Standard Factory Adjustment (Average Speed and Temperature) |                           |                          | Recommended Adjustment High Speeds |                            |                             |                            | Clearance Adjustment Inches Per 15 Degrees |       |
|-----------|---------------------|-----------------|----------------|---|---------------------------|--------------------------|------------------------------------|----------------------------|-----------------------------|----------------------------|--|-------|
|           | 2000 Series         | 3000 Series     | 5000 Series    | Standard Degrees Adjust                                     | Standard Radial Clearance | Standard Axial Clearance | Speed Over                         | High Speed Degrees Adjust. | High Speed Radial Clearance | High Speed Axial Clearance | Radial                                     | Axial |
| 2         | 3/4 - 1             | -               | -              | 45  | .0022-.0028               | .0068-.0086              | 2000                               | 55                         | .0028-.0034                 | .0086-.0105                | 0.001                                      | 0.003 |
| 3         | 1 1/8-1 1/4         | -               | -              | 50  | .0024-.0030               | .0078-.0098              | 2000                               | 60                         | .0030-.0036                 | .0098-.0117                | 0.001                                      | 0.003 |
| 4         | 1 7/16-1 1/2        | 1 7/16          | 1 7/16         | 55  | .0025-.0031               | .0088-.0109              | 2000                               | 65                         | .0031-.0037                 | .0110-.0130                | 0.001                                      | 0.003 |
| 5         | 1 11/16-1 3/4       | 1 11/16         | 1 1/2- 1 11/16 | 60  | .0029-.0037               | .0101-.0128              | 1500                               | 70                         | .0037-.0045                 | .0128-.0156                | 0.001                                      | 0.003 |
| 6         | 1 15/16-2           | 1 15/16         | 1 15/16        | 85  | .0033-.0041               | .0127-.0157              | 1500                               | 105                        | .0041-.0049                 | .0157-.0188                | 0.001                                      | 0.003 |
| 7         | 2 3/16-2 1/4        | 2 3/16          | 2-2 3/16       | 60  | .0031-.0039               | .0119-.0149              | 1250                               | 75                         | .0039-.0047                 | .0150-.0180                | 0.001                                      | 0.003 |
| 8         | 2 3/8-2 1/2         | 2 7/16-2 1/2    | 2 7/16         | 65  | .0032-.0040               | .0131-.0163              | 1250                               | 80                         | .0040-.0048                 | .0163-.0196                | 0.001                                      | 0.003 |
| 9         | 2 11/16-3           | 2 11/16-2 15/16 | 2 1/2-2 15/16  | 80  | .0040-.0052               | .0163-.0211              | 1250                               | 100                        | .0052-.0064                 | .0211-.0259                | 0.001                                      | 0.004 |
| 10        | 3 3/16-3 1/2        | 3 7/16-3 1/2    | 3 3/16-3 7/16  | 100   | .0050-.0064               | .0201-.0257              | 1000                               | 125                        | .0064-.0076                 | .0257-.0304                | 0.001                                      | 0.003 |
| 11        | 3 11/16-4           | 3 15/16         | 3 11/16-4      | 120   | .0056-.0072               | .0239-.0306              | 1000                               | 150                        | .0072-.0088                 | .0306-.0373                | 0.001                                      | 0.003 |
| 12        | -                   | -               | 4 3/16-4 1/2   | 80  | .0059-.0075               | .0241-.0306              | 750                                | 100                        | .0075-.0091                 | .0306-.0371                | 0.001                                      | 0.005 |
| 13        | -                   | -               | 4 15/16-5      | 90  | .0069-.0087               | .0288-.0362              | 750                                | 115                        | .0087-.0105                 | .0362-.0436                | 0.001                                      | 0.005 |
| 14        | -                   | -               | 5 7/16         | 90  | .0075-.0094               | .0305-.0381              | 500                                | 120                        | .0094-.0113                 | .0381-.0457                | 0.001                                      | 0.006 |
| 15        | -                   | -               | 5 15/16-6      | 120   | .0087-.0110               | .0380-.0479              | 500                                | 150                        | .0110-.0133                 | .0480-.0578                | 0.001                                      | 0.005 |
| 16        | -                   | -               | 6 7/16-7       | 150   | .0094-.0122               | .0439-.0568              | 500                                | 180                        | .0122-.0150                 | .0569-.0697                | 0.001                                      | 0.005 |

| Size Code | Shaft Size (Inches) | Standard Factory Adjustment (Average Speed and Temperature) |                                     |                            |                                    |                                    | Recommended Adjustment High Speeds |            |                      |                                       |                                      | Clearance Adjustment Inches Per 15 Degrees |                                     |        |
|-----------|---------------------|---|-------------------------------------|----------------------------|------------------------------------|------------------------------------|------------------------------------|------------|----------------------|---------------------------------------|--------------------------------------|--|-------------------------------------|--------|
|           |                     | 6000 Series   | Standard Factory Degrees Adjustment | Unmounted Radial Clearance | *Mounted Standard Radial Clearance | Unmounted Standard Axial Clearance | *Mounted Standard Axial Clearance  | Speed Over | High Speed Deg. Adj. | Unmounted High Speed Radial Clearance | *Mounted High Speed Radial Clearance | Unmounted High Speed Axial Clearance       | *Mounted High Speed Axial Clearance | Radial |
| 4         | 1 7/16              | 65  | .0031-.0037                         | .0027-.0032                | .0110-.0130                        | .0094-.0111                        | 2000                               | 80         | .0037-.0043          | .0033-.0038                           | .0131-.0151                          | .0118-.0132                                | 0.001                               | 0.003  |
| 5         | 1 11/16             | 70  | .0037-.0045                         | .0030-.0036                | .0128-.0156                        | .0107-.0130                        | 1500                               | 95         | .0045-.0053          | .0039-.0046                           | .0156-.0183                          | .0134-.0158                                | 0.001                               | 0.003  |
| 6         | 1 15/16             | 105   | .0041-.0049                         | .0036-.0043                | .0157-.0188                        | .0135-.0161                        | 1500                               | 115        | .0049-.0057          | .0045-.0052                           | .0188-.0218                          | .0169-.0195                                | 0.001                               | 0.003  |
| 7         | 2 3/16              | 75  | .0039-.0047                         | .0033-.0042                | .0150-.0180                        | .0122-.0156                        | 1250                               | 85         | .0047-.0055          | .0042-.0051                           | .0180-.0210                          | .0156-.0191                                | 0.001                               | 0.004  |
| 8         | 2 3/8 - 2 7/16      | 80  | .0040-.0048                         | .0033-.0042                | .0163-.0196                        | .0133-.0168                        | 1250                               | 95         | .0048-.0056          | .0042-.0051                           | .0196-.0228                          | .0168-.0203                                | 0.001                               | 0.004  |
| 9         | 2 11/16 - 2 15/16   | 100   | .0052-.0064                         | .0042-.0051                | .0211-.0259                        | .0168-.0203                        | 1250                               | 120        | .0064-.0076          | .0054-.0063                           | .0260-.0307                          | .0214-.0249                                | 0.001                               | 0.004  |
| 10        | 3 3/16 - 3 7/16     | 125   | .0064-.0076                         | .0055-.0063                | .0257-.0304                        | .0214-.0249                        | 1000                               | 140        | .0076-.0088          | .0069-.0078                           | .0304-.0352                          | .0272-.0307                                | 0.001                               | 0.004  |
| 11        | 3 11/16 - 3 15/16   | 150   | .0072-.0088                         | .0062-.0071                | .0306-.0373                        | .0260-.0295                        | 1000                               | 170        | .0084-.0100          | .0079-.0087                           | .0357-.0423                          | .0330-.0365                                | 0.001                               | 0.004  |
| 12        | 4 3/16 - 4 7/16     | 100   | .0075-.0091                         | .0056-.0068                | .0306-.0371                        | .0252-.0304                        | 750                                | 115        | .0091-.0107          | .0072-.0083                           | .0371-.0435                          | .0321-.0373                                | 0.001                               | 0.005  |
| 13        | 4 15/16             | 115   | .0087-.0105                         | .0071-.0084                | .0362-.0436                        | .0286-.0339                        | 750                                | 135        | .0105-.0123          | .0093-.0106                           | .0436-.0510                          | .0373-.0425                                | 0.001                               | 0.005  |
| 14        | 5 7/16              | 120   | .0094-.0113                         | .0072-.0085                | .0381-.0457                        | .0286-.0339                        | 500                                | 145        | .0113-.0132          | .0099-.0112                           | .0457-.0533                          | .0391-.0443                                | 0.001                               | 0.005  |
| 15        | 5 15/16             | 150   | .0110-.0133                         | .0091-.0103                | .0480-.0578                        | .0391-.0443                        | 500                                | 180        | .0133-.0156          | .0115-.0128                           | .0579-.0677                          | .0495-.0547                                | 0.001                               | 0.005  |
| 16        | 6 7/16 - 6 15/16    | 180   | .0122-.0150                         | .0107-.0119                | .0569-.0697                        | .0495-.0547                        | 500                                | 220        | .0150-.0178          | .0130-.0141                           | .0697-.0825                          | .0599-.0651                                | 0.001                               | 0.005  |

| Size Code | Shaft Size (Inches) | Standard Factory Adjustment (Average Speed and Temperature) |                                     |                            |                                    |                                    | Recommended Adjustment High Speeds |            |                      |                                       |                                      | Clearance Adjustment Inches Per 15 Degrees |                                     |        |
|-----------|---------------------|---|-------------------------------------|----------------------------|------------------------------------|------------------------------------|------------------------------------|------------|----------------------|---------------------------------------|--------------------------------------|--|-------------------------------------|--------|
|           |                     | 9000 Series   | Standard Factory Degrees Adjustment | Unmounted Radial Clearance | *Mounted Standard Radial Clearance | Unmounted Standard Axial Clearance | *Mounted Standard Axial Clearance  | Speed Over | High Speed Deg. Adj. | Unmounted High Speed Radial Clearance | *Mounted High Speed Radial Clearance | Unmounted High Speed Axial Clearance       | *Mounted High Speed Axial Clearance | Radial |
| 7         | 1 15/16 - 2         | 75  | .0039-.0047                         | .0031-.0039                | .0150-.0180                        | .0119-.0149                        | 1250                               | 85         | .0047-.0055          | .0039-.0047                           | .0180-.0210                          | .0150-.0180                                | 0.001                               | 0.003  |
| 8         | 2 3/16              | 80  | .0040-.0048                         | .0032-.0040                | .0163-.0196                        | .0131-.0163                        | 1250                               | 95         | .0048-.0056          | .0040-.0048                           | .0196-.0228                          | .0163-.0196                                | 0.001                               | 0.003  |
| 9         | 2 7/16 - 2 1/2      | 100   | .0052-.0064                         | .0040-.0052                | .0211-.0259                        | .0163-.0211                        | 1250                               | 120        | .0064-.0076          | .0052-.0064                           | .0260-.0307                          | .0211-.0259                                | 0.001                               | 0.004  |
| 10        | 2 11/16 - 2 15/16   | 125   | .0064-.0076                         | .0050-.0064                | .0257-.0304                        | .0201-.0257                        | 1000                               | 140        | .0076-.0088          | .0064-.0076                           | .0304-.0352                          | .0257-.0304                                | 0.001                               | 0.003  |
| 11        | 3 3/16 - 3 7/16     | 150   | .0072-.0088                         | .0056-.0072                | .0306-.0373                        | .0239-.0306                        | 1000                               | 170        | .0084-.0100          | .0072-.0088                           | .0357-.0423                          | .0306-.0373                                | 0.001                               | 0.003  |
| 12        | 3 11/16 - 4         | 100   | .0075-.0091                         | .0059-.0075                | .0306-.0371                        | .0241-.0306                        | 750                                | 115        | .0091-.0107          | .0075-.0091                           | .0371-.0435                          | .0306-.0371                                | 0.001                               | 0.005  |
| 13        | 4 3/16 - 4 7/16     | 115   | .0087-.0105                         | .0069-.0087                | .0362-.0436                        | .0288-.0362                        | 750                                | 135        | .0105-.0123          | .0087-.0105                           | .0436-.0510                          | .0362-.0436                                | 0.001                               | 0.005  |
| 14        | 4 15/16 - 5         | 120   | .0094-.0113                         | .0075-.0094                | .0381-.0457                        | .0305-.0381                        | 500                                | 145        | .0113-.0132          | .0094-.0113                           | .0457-.0533                          | .0381-.0457                                | 0.001                               | 0.006  |
| 15        | 5 3/16 - 5 7/16     | 150   | .0110-.0133                         | .0087-.0110                | .0480-.0578                        | .0380-.0479                        | 500                                | 180        | .0133-.0156          | .0110-.0133                           | .0579-.0677                          | .0480-.0578                                | 0.001                               | 0.005  |
| 16        | 5 15/16 - 6 7/16    | 180   | .0122-.0150                         | .0094-.0122                | .0569-.0697                        | .0439-.0568                        | 500                                | 220        | .0150-.0178          | .0122-.0150                           | .0697-.0825                          | .0569-.0697                                | 0.001                               | 0.005  |
| 16        | 6 7/16 - 6 15/16    | 180   | .0122-.0150                         | .0107-.0119                | .0569-.0697                        | .0495-.0547                        | 500                                | 220        | .0150-.0178          | .0130-.0141                           | .0697-.0825                          | .0599-.0651                                | 0.001                               | 0.005  |

\*Mounted clearance result of tightening tapered adapter



**Table 3 • Rex Size Code Interchange Table**

| Shaft Size  | REX 2000<br>Single Set Collar<br>Bearing Number    | REX 3000<br>Twist Lock<br>Eccentric Lock<br>Bearing Number | REX 5000<br>Double Set Collar<br>Bearing Number | REX 6000<br>ShurLok Tapered<br>Adapter<br>Bearing Number | REX 9000<br>Tapered Adapter<br>Bearing Number | Size Code | Approx<br>Outer<br>Race Dia. |
|---|--|--|---|--|---|-----------|------------------------------|
| 3/4<br>15/16<br>25mm<br>1   | 2012<br>2015<br>2025MM<br>2100                     |  |   |  |   | 2         | 2.370                        |
| 1-1/8<br>30mm<br>1-3/16<br>1-1/4  | 2102<br>2030MM<br>2103<br>2104                     |  |   |  |   | 3         | 2.630                        |
| 35mm<br>1-7/16<br>1-1/2   | 2035MM<br>2107<br>2108                             | 3107   | 5107  | 6107   |   | 4         | 2.830                        |
| 1-1/2<br>40mm<br>1-11/16<br>1-3/4<br>45mm                                       | 2040MM<br>2111<br>2112<br>2045MM                   | 3111   | 5108<br>5040MM<br>5111                          | 6111   |   | 5         | 3.340                        |
| 1-15/16<br>50mm<br>2  | 2115<br>2050MM<br>2200                             | 3115   | 5115<br>5050MM                                  | 6115<br>6045MM   |   | 6         | 3.540                        |
| 50mm<br>1-15/16<br>2<br>55mm<br>2-3/16<br>2-1/4                                 | 2055MM<br>2203<br>2204                             | 3203   | 5200<br>5055MM<br>5203                          | 6050MM<br>6055MM<br>6203                                 | 9050MM<br>9115<br>9200                        | 7         | 3.940                        |
| 55mm<br>2-3-16<br>60mm<br>2-3/8<br>2-7/16<br>2-1/2<br>65mm                      | 2060MM<br>2206<br>2207<br>2208<br>2065MM           | 3207<br>3208   | 5060MM<br>5207<br>5065MM                        | 6060MM<br>6206<br>6207                                   | 9055MM<br>9203                                | 8         | 4.320                        |
| 2-7/16<br>2-1/2<br>65mm<br>2-11/16<br>2-3/4<br>70mm<br>2-15/16<br>75mm<br>3     | 2211<br>2212<br>2070MM<br>2215<br>2075MM<br>2300   | 3211<br>3215   | 5208<br>5211<br>5070MM<br>5215<br>5075MM        | 6065MM<br>6211<br>6212<br>6070MM<br>6215<br>6075MM       | 9207<br>9208                                  | 9         | 5.120                        |
| 2-11/16<br>2-15/16<br>75mm<br>80mm<br>3-3/16<br>85mm<br>3-7/16<br>3-1/2<br>90mm | 2080MM<br>2303<br>2085MM<br>2307<br>2308<br>2090MM | 3307<br>3308   | 5080MM<br>5303<br>5085MM<br>5307<br>5090MM      | 6080MM<br>6303<br>6085MM<br>6307                         | 9211<br>9215<br>9075MM                        | 10        | 5.900                        |
| 80mm<br>3-3/16<br>3-7/16<br>90mm<br>3-11/16<br>100mm<br>3-15/16<br>4            | 2311<br>2100MM<br>2315<br>2400                     | 3315   | 5311<br>5100MM<br>5315<br>5400                  | 6090MM<br>6311<br>6100MM<br>6315                         | 9080MM<br>9303<br>9307                        | 11        | 7.090                        |
| 3-11/16<br>100mm<br>3-15/16<br>4<br>4-3-16<br>110mm<br>4-7/16<br>4-1/2<br>115mm |  |  | 5403Y<br>5110MM<br>5407Y<br>5408Y<br>5115MM     | 6403Y<br>6110MM<br>6407Y                                 | 9311Y<br>9100MM<br>9315Y<br>9400Y             | 12        | 7.680                        |
| 4-3/16<br>4-7/16<br>125mm<br>4-15/16<br>5<br>130mm                              |  |  | 5125MM<br>5415<br>5500<br>5130MM                | 6125MM<br>6415   | 9403<br>9407                                  | 13        | 9.050                        |
| 4-15/16<br>5<br>5-7/16<br>140mm   |  |  | 5507<br>5140MM                                  | 6507   | 9415<br>9500                                  | 14        | 10.630                       |
| 5-3-16<br>5-7/16<br>150mm<br>5-15/16<br>6<br>160mm                              |  |  | 5150MM<br>5515<br>5600<br>5160MM                | 6515   | 9503<br>9507                                  | 15        | 11.420                       |
| 5-15/16<br>6<br>6-7/16<br>6-15/16<br>7<br>180mm                                 |  |  | 5607<br>5615<br>5700<br>5180MM                  | 6607<br>6615   | 9515<br>9600<br>9607                          | 16        | 12.600                       |

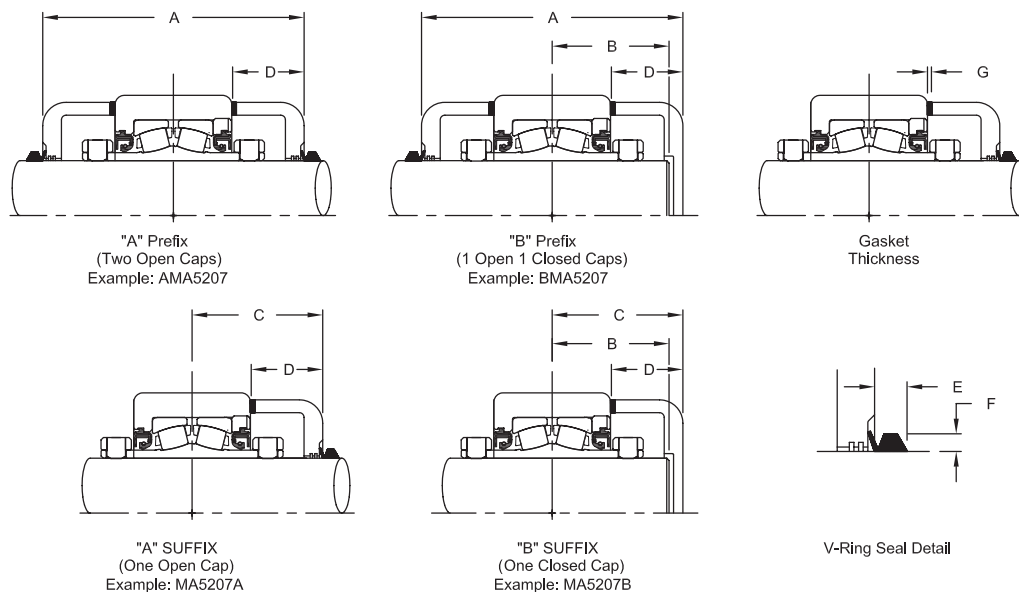


# Auxiliary Cap Seals for 2000, 3000, 5000, 9000 Series

## Kit Nomenclature

| Symbol | Description                                 |
|--------|---|
| A      | open cap                                    |
| B      | closed cap                                  |
| S      | floating type                               |
| *      | leave blank for fixed type                  |
| 4-16   | bearing size code from dimension page       |
| 215    | 2 15/16" last two digits in 16th of an inch |
| *      | not required for closed style caps          |

**A S 9 - 215**



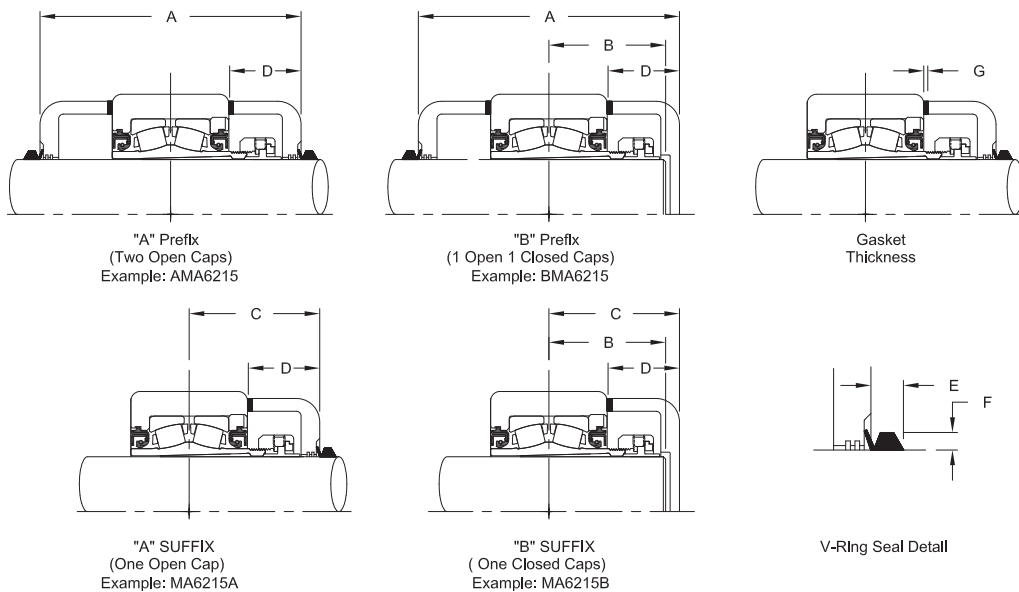
## Cast Iron Auxiliary Cap

| Size Code | Fixed Bearings Only |         |         |         | Floating (Expansion) Bearings Only |         |         |         | V-Ring Seal |      | Gasket<br>G |
|-----------|---------------------|---------|---------|---------|------------------------------------|---------|---------|---------|-------------|------|-------------|
|           | A                   | B       | C       | D*      | A                                  | B       | C       | D*      | E           | F    |             |
| 4         | 5 5/16              | 2 5/16  | 2 11/16 | 1 9/16  | 5 1/2                              | 2 3/8   | 2 3/4   | 1 17/32 | 5/16        | 3/16 | 3/16        |
| 5         | 5 1/2               | 2 7/16  | 2 3/4   | 1 17/32 | 5 3/4                              | 2 1/2   | 2 7/8   | 1 15/32 | 3/8         | 3/16 |             |
| 6         | 5 9/16              | 2 7/16  | 2 13/16 | 1 9/16  | 5 3/4                              | 2 1/2   | 2 7/8   | 1 17/32 |             |      |             |
| 7         | 5 3/4               | 2 1/2   | 2 7/8   | 1 19/32 | 6 1/16                             | 2 5/8   | 31/16   | 1 21/32 |             |      |             |
| 8         | 6 1/16              | 2 3/4   | 3 1/16  | 1 23/32 | 6 5/16                             | 2 3/4   | 3 3/16  | 1 23/32 |             |      |             |
| 9         | 7                   | 3 1/8   | 3 1/2   | 1 15/16 | 6 15/16                            | 3 1/16  | 3 1/2   | 1 25/32 | 7/16        | 1/4  |             |
| 10        | 6 15/16             | 3 1/16  | 3 1/2   | 1 13/16 | 7 3/8                              | 3 5/8   | 3 11/16 | 1 29/32 |             |      |             |
| 11        | 8 5/16              | 3 5/8   | 4 3/16  | 2 5/32  | 8 9/16                             | 3 3/4   | 4 5/16  | 2 5/32  |             |      |             |
| 12        | 8 1/2               | 3 3/4   | 4 1/4   | 2 3/16  | 9 3/8                              | 4 5/16  | 4 11/16 | 2 1/2   | 9/16        | 5/16 |             |
| 13        | 10 1/8              | 4 1/2   | 5 1/16  | 2 9/32  | 10 9/16                            | 4 3/4   | 5 5/16  | 2 9/32  |             |      |             |
| 14        | 10 1/8              | 4 1/2   | 5 1/16  | 2 9/32  | 11 1/16                            | 5       | 5 9/16  | 2 5/8   |             |      |             |
| 15        | 11 1/16             | 4 15/16 | 5 9/16  | 2 5/8   | 11 1/2                             | 4 15/16 | 5 3/4   | 2 3/4   |             |      |             |
| 16        | 11 3/16             | 5       | 5 5/8   | 2 1/2   | 11 5/8                             | 5 1/4   | 5 13/16 | 2 5/8   | 5/8         | 3/8  |             |

## Adapter Auxiliary End Cap Dimensions for 6000 Series Size Codes 6-13

### Kit Nomenclature

| Symbol | Description                                 | A   | S | 9 | 6 | 2 | 15 |  |
|--------|---|---|---|---|---|---|----|--|
| A      | open cap                                    | ----- ----- ----- ----- ----- ----- ----- |   |   |   |   |    |  |
| B      | closed cap                                  | ----- ----- ----- ----- ----- ----- ----- |   |   |   |   |    |  |
| S      | floating type                               | ----- ----- ----- ----- ----- ----- ----- |   |   |   |   |    |  |
| *      | leave blank for fixed type                  | ----- ----- ----- ----- ----- ----- ----- |   |   |   |   |    |  |
| 6-13   | bearing size code from dimension page       | ----- ----- ----- ----- ----- ----- ----- |   |   |   |   |    |  |
| 6      | Type "A" open caps                          | ----- ----- ----- ----- ----- ----- ----- |   |   |   |   |    |  |
| 6000   | type "B" closed caps                        | ----- ----- ----- ----- ----- ----- ----- |   |   |   |   |    |  |
| 215    | 2 15/16" last two digits in 16th of an inch | ----- ----- ----- ----- ----- ----- ----- |   |   |   |   |    |  |
| *      | not required for closed style caps          | ----- ----- ----- ----- ----- ----- ----- |   |   |   |   |    |  |



### 6000 Series Adapter Mount Auxiliary Cap Dimensions

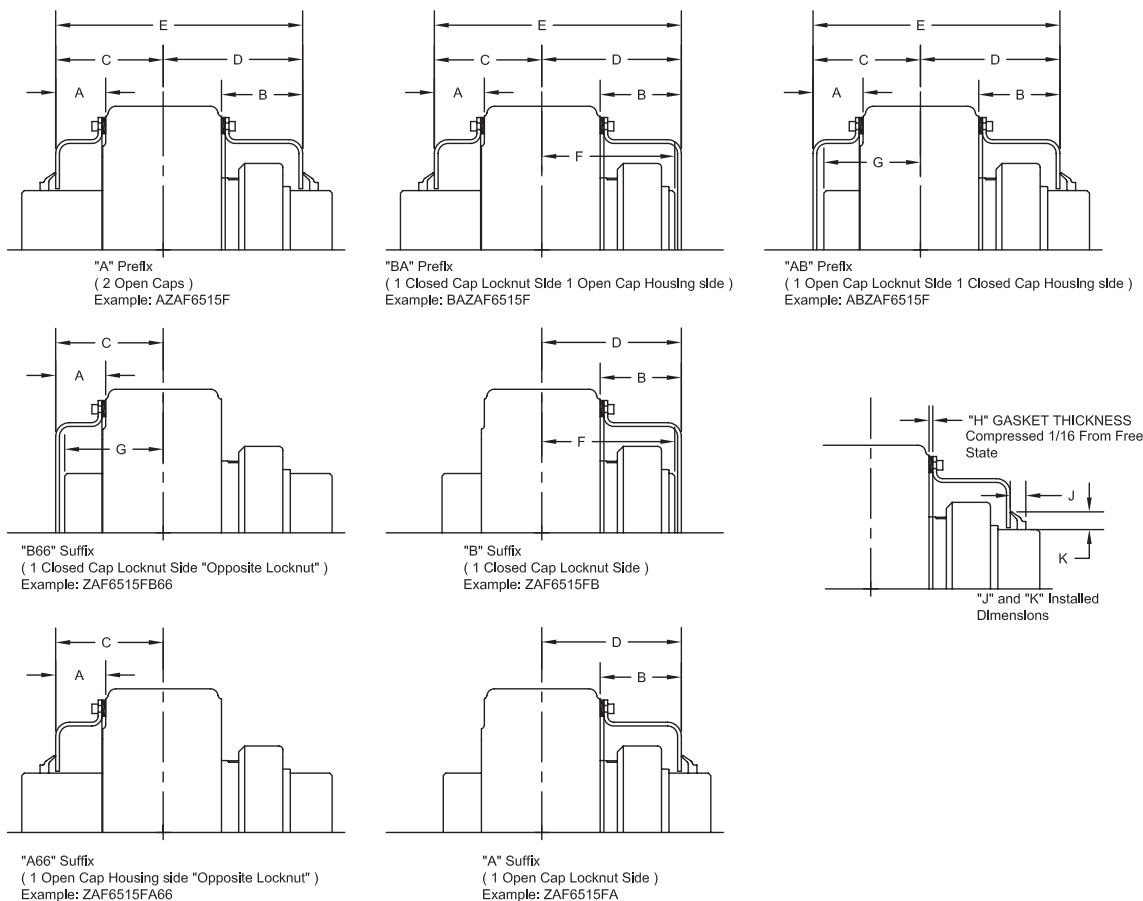
|                |           | Cast Iron Auxiliary Caps |         |         |         |   |         |         |         |   |         |         |         |             |      |        |
|----------------|-----------|--------------------------|---------|---------|---------|---|---------|---------|---------|---|---------|---------|---------|-------------|------|--------|
| Bearing Number | Size Code | Fixed Bearings Only      |         |         |         | Floating (Expansion) ZAFS Bearings Only |         |         |         | Floating (Expansion) ZPS, ZFS Bearings Only |         |         |         | V-Ring Seal |      | Gasket |
|                |           | A                        | B       | C       | D       | A                                       | B       | C       | D       | A   | B       | C       | D       | E           | F    |        |
| 6115           | 6         | 5 7/8                    | 2 9/16  | 2 15/16 | 1 23/32 | 6 1/4                                   | 2 11/16 | 3 1/8   | 1 29/32 | 6 1/2                                       | 2 13/16 | 3 1/4   | 1 29/32 | 3/8         | 3/16 | 3/16   |
| 6203           | 7         | 6 1/16                   | 2 5/8   | 3 1/32  | 1 3/4   | 6 7/16                                  | 2 25/32 | 3 7/32  | 1 15/16 | 6 5/8                                       | 2 7/8   | 3 5/16  | 1 15/16 |             |      |        |
| 6206           | 8         | 6 11/16                  | 3 1/32  | 3 11/32 | 2 1/32  | 7 3/16                                  | 3 5/32  | 3 19/32 | 2 9/32  | 7 7/16                                      | 3 9/32  | 3 23/32 | 2 9/32  |             |      |        |
| 6207           |           |                          |         |         |         |   |         |         |         |   |         |         |         |             |      |        |
| 6211           | 9         | 7 1/4                    | 3 1/16  | 3 5/8   | 2 1/16  | 7 3/4                                   | 3 7/16  | 3 7/8   | 2 5/16  | 8   | 3 9/16  | 4       | 2 5/16  | 7/16        | 1/4  |        |
| 6212           |           |                          |         |         |         |   |         |         |         |   |         |         |         |             |      |        |
| 6215           |           |                          |         |         |         |   |         |         |         |   |         |         |         |             |      |        |
| 6303           | 10        | 7 15/16                  | 3 17/32 | 3 31/32 | 2 1/4   | 8 7/16                                  | 3 25/32 | 4 7/32  | 2 1/2   | 8 11/16                                     | 3 29/32 | 4 11/32 | 2 1/2   | 9/16        | 5/16 |        |
| 6307           |           |                          |         |         |         |   |         |         |         |   |         |         |         |             |      |        |
| 6311           | 11        | 9                        | 3 15/16 | 4 1/2   | 2 7/16  | 9 1/2                                   | 4 3/16  | 4 3/4   | 2 11/16 | 9 3/4                                       | 4 5/16  | 4 7/8   | 2 11/16 | 9/16        | 5/16 |        |
| 6315           |           |                          |         |         |         |   |         |         |         |   |         |         |         |             |      |        |
| 6403Y          | 12        | 9 7/16                   | 4 5/32  | 4 23/32 | 2 19/32 | 10 3/16                                 | 4 21/32 | 5 3/32  | 2 31/32 | 10 7/16                                     | 4 31/32 | 5 7/32  | 2 31/32 | 9/16        | 5/16 |        |
| 6407Y          |           |                          |         |         |         |   |         |         |         |   |         |         |         |             |      |        |
| 6415           | 13        | 11 5/8                   | 5 1/4   | 5 13/16 | 3 1/32  | 12 3/8                                  | 5 5/8   | 6 3/16  | 3 13/32 | 12 13/16                                    | 5 27/32 | 6 13/32 | 3 13/32 |             |      |        |

# Adapter Auxiliary End Cap Dimensions for 6000 Series Size Codes 14-16

## Kit Nomenclature

| Symbol | Description                                |
|--------|--|
| A      | open cap                                   |
| B      | closed cap                                 |
| S      | floating type                              |
| *      | leave blank for fixed type                 |
| 14-16  | bearing size code from dimension page      |
| 6      | Type "A" open caps                         |
| 6000   | type "B" closed caps                       |
| 507    | 5-7/16" last two digits in 16th of an inch |
| *      | not required for closed style caps         |

**A S 14 6 507**



## 6000 Series Adapter Mount Auxiliary Cap Dimensions (Size codes 14-16)

|                |           | Steel Auxiliary Caps                |         |         |         |          |       |         |      |         |  |  |   |          |       |       |     |             |         |
|----------------|-----------|-------------------------------------|---------|---------|---------|----------|-------|---------|------|---------|--|--|---|----------|-------|-------|-----|-------------|---------|
| Bearing Number | Size Code | Fixed Bearings Only (No ZLF)        |         |         |         |          |       |         |      |         | Floating (Expansion) ZPS, ZAFS Bearings Only |  |   |          |       |       |     | V-Ring Seal |         |
|                |           | A                                   | B       | C       | D       | E        | F     | G       | *H   | A       | B  | C  | D   | E        | F     | G     | **H | J           | K       |
| 6507           | 14        | 2 5/32                              | 3 11/16 | 4 29/32 | 6 1/2   | 11 13/32 | 6 1/8 | 4 3/16  | 3/16 | 2 11/16 | 3 31/32                                      | 5 19/32  | 6 7/8                                       | 12 15/32 | 4 1/2 | 6 1/8 | 3/8 | 5/8         | 7 3/32  |
| 6515           | 15        | 2 1/2                               | 4 1/16  | 5 3/8   | 6 63/64 | 12 23/64 | 6 5/8 | 4 11/16 | 3/16 | 2 9/16  | 4 3/8  | 5 9/16   | 7 3/8                                       | 12 15/16 | 6 5/8 | 4 3/8 | 3/8 | 45/64       | 7 13/16 |
| 6607           | 16        | 2 3/8                               | 4 5/16  | 5 7/16  | 7 13/32 | 12 27/32 | 7     | 4 3/4   | 3/16 | 2 11/16 | 4 5/8  | 5 7/8  | 7 13/16                                     | 13 11/16 | 7     | 4 3/4 | 3/8 | 45/64       | 8 5/16  |
| 6615           |           |                                     |         |         |         |          |       |         |      |         |  |  |   |          |       |       |     | 45/64       | 8 13/16 |
| Bearing Number | Size Code | ZLF-ZLFS Split Housed Bearings Only |         |         |         |          |       |         |      |         | V-Ring Seal                                  |  | *H-compressed thickness. Free state is 1/4" |          |       |       |     |             |         |
|                |           | A                                   | B       | C       | D       | E        | F     | G       | *H   | J       | K  | **H-compressed thickness. Free state 1/4. 2 gaskets required |   |          |       |       |     |             |         |
| 6507           | 14        | 2 1/2                               | 3 25/32 | 5 7/8   | 7 5/32  | 13 1/32  | 6     | 5 3/16  | 3/16 | 5/8     | 7 3/32                                       |  |   |          |       |       |     |             |         |
| 6515           | 15        | 2 3/8                               | 4 3/16  | 5 7/8   | 7 11/16 | 13 9/16  | 6 1/2 | 5 3/16  | 3/16 | 45/64   | 7 13/16                                      |  |   |          |       |       |     |             |         |
| 6607           | 16        | 2 1/2                               | 4 7/16  | 6 3/16  | 8 1/8   | 14 5/16  | 6 7/8 | 5 1/2   | 3/16 | 45/64   | 8 5/16                                       |  |   |          |       |       |     |             |         |
| 6615           |           |                                     |         |         |         |          |       |         |      |         |  | 45/64  | 8 13/16                                     |          |       |       |     |             |         |



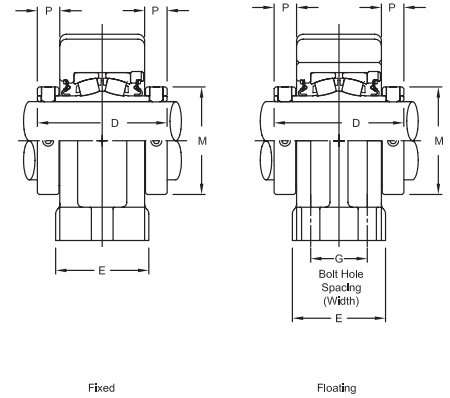
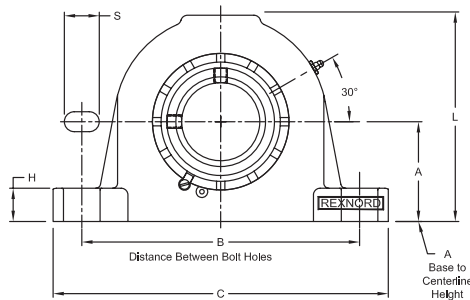
# ZAF5000, ZAFS5000



Photo Shows a 2-Bolt Spherical Roller Bearing Pillow Block Unit

## Product Features

- SAF Interchange
- Precision milled ends
- Corrosion-resistant powder coating
- Cast iron housing
- Misalignment capabilities - total of 4°
- Broad range of sealing options
- Factory set clearance & lubrication
- Precision ground & superfinished raceways
- See Features & Benefits for additional info.



## Bearing Dimensions

| Size Code                     | Shaft Diameter | Expansion   |         |        |                | Fixed       |            |        |                | A<br>Base to<br>Centerline<br>Height | B Distance<br>Between<br>Bolt Holes |        | G<br>Bolt Hole<br>Spacing<br>(Width) | C       | D       | E      | F     | H       | M       | S       |        |
|-------------------------------|----------------|-------------|---------|--------|----------------|-------------|------------|--------|----------------|--------------------------------------|-------------------------------------|--------|--------------------------------------|---------|---------|--------|-------|---------|---------|---------|--------|
|                               |                | Part Number | L       | P      | Approx. Weight | Part Number | L          | P      | Approx. Weight |                                      | Min.                                | Max.   |                                      |         |         |        |       |         |         |         |        |
| <b>Two-Bolt Pillow Block</b>  |                |             |         |        |                |             |            |        |                |                                      |                                     |        |                                      |         |         |        |       |         |         |         |        |
| 6                             | 1 15/16        | ZAFS5115    | 5 5/16  | 11/16  | 20.00          | ZAF5115     | 5 5/16     | 11/16  | 16.50          | 2 3/4                                | 7 3/8                               | 7 7/8  | -                                    | 9.625   | 3 13/16 | 2 3/4  | 5/8   | 1       | 2 7/8   | 15/16   |        |
|                               | 50.00          | ZAFS5050MM  | 134.94  | 17.46  | 9.00           | ZAF5050MM   | 134.94     | 17.46  | 7.50           | 69.85                                | 187.33                              | 200.03 | -                                    | 244.480 | 96.84   | 69.85  | 16.00 | 25.40   | 73.03   | 23.81   |        |
| 7                             | 2 3/16         | ZAFS5203    | 5 31/32 | 13/16  | 25.50          | ZAF5203     | 5 31/32    | 13/16  | 21.00          | 3                                    | 8 1/8                               | 9 1/2  | -                                    | 11.000  | 4 1/8   | 3 1/8  | 5/8   | 1       | 3 1/4   | 1 3/8   |        |
|                               | 55.00          | ZAFS5055MM  | 151.61  | 20.64  | 11.50          | ZAF5055MM   | 151.61     | 20.64  | 9.50           | 76.20                                | 206.38                              | 241.30 | -                                    | 279.400 | 104.78  | 79.38  | 16.00 | 25.40   | 82.60   | 34.93   |        |
| 8                             | 2 7/16         | ZAFS5207    | 6 25/32 | 7/8    | 32.50          | ZAF5207     | 6 25/32    | 7/8    | 32.50          | 3 1/4                                | 8 5/8                               | 9 5/8  | -                                    | 11.125  | 4 3/8   | 3 1/8  | 5/8   | 1 1/4   | 3 9/16  | 1 3/16  |        |
|                               | 60.00          | ZAFS5060MM  | 172.24  | 22.23  | 14.70          | ZAF5060MM   | 172.24     | 22.23  | 14.70          | 82.55                                | 219.08                              | 244.48 | -                                    | 282.580 | 111.13  | 79.38  | 16.00 | 31.75   | 90.50   | 30.16   |        |
| 9                             | 2 11/16        | ZAFS5211    | 7 1/2   | 7/8    | 45.50          | ZAF5211     | 7 1/2      | 7/8    | 45.50          | 3 1/2                                | 9 7/8                               | 11     | -                                    | 12.590  | 4 7/8   | 3 1/2  | 3/4   | 1       | 4 1/16  | 1 3/8   |        |
|                               | 2 3/4          | ZAFS5212    |         |        |                | ZAF5212     |            |        |                |                                      |                                     |        |                                      |         |         |        |       |         |         |         | 20.60  |
| 9                             | 2 15/16        | ZAFS5215    | 7 3/4   | 22.23  | 45.00          | ZAF5215     | 7 3/4      | 22.23  | 20.60          | 3 3/4                                | 250.83                              | 279.40 | -                                    | 319.790 | 123.83  | 88.90  | 19.00 | 1 1/4   | 103.20  | 34.93   |        |
|                               | 70.00          | ZAFS5070MM  | 190.50  |        |                | 20.60       | ZAF5070MM  |        |                |                                      |                                     |        |                                      |         |         |        |       |         |         |         | 190.50 |
| 10                            | 3 3/16         | ZAFS5303    | 8 1/4   | 15/16  | 60.00          | ZAF5303     | 8 1/4      | 15/16  | 53.00          | 4                                    | 10 3/8                              | 11 5/8 | -                                    | 13.750  | 5 5/16  | 3 7/8  | 3/4   | 1 5/8   | 4 29/32 | 1 7/16  |        |
|                               | 3 7/16         | ZAFS5307    | 9 9/32  |        |                | 76.50       | ZAF5307    |        |                |                                      |                                     |        |                                      |         |         |        |       |         |         |         | 9 9/32 |
| 10                            | 80.00          | ZAFS5080MM  | 209.55  | 23.81  | 27.00          | ZAF5080MM   | 209.55     | 23.81  | 24.00          | 101.60                               | 263.53                              | 295.28 | -                                    | 349.250 | 98.43   | 19.00  | 41.28 | 124.62  | 36.51   |         |        |
|                               | 85.00          | ZAFS5085MM  | 235.74  |        |                | 34.00       | ZAF5085MM  |        |                |                                      |                                     |        |                                      |         |         |        |       |         |         | 235.74  | 34.00  |
| 10                            | 90.00          | ZAFS5090MM  | 235.74  | 23.81  | 34.40          | ZAF5090MM   | 235.74     | 23.81  | 34.40          | 114.30                               | 295.28                              | 333.38 | -                                    | 390.530 | 134.94  | 110.31 | 22.00 | 42.06   | 42.86   |         |        |
|                               | 90.00          | ZAFS5090MM  | 235.74  |        |                | 34.40       | ZAF5090MM  |        |                |                                      |                                     |        |                                      |         |         |        |       |         |         | 235.74  | 34.40  |
| <b>Four-Bolt Pillow Block</b> |                |             |         |        |                |             |            |        |                |                                      |                                     |        |                                      |         |         |        |       |         |         |         |        |
| 8                             | 2 7/16         | ZAFS5207F   | 6 25/32 | 7/8    | 31.50          | ZAF5207F    | 6 25/32    | 7/8    | 31.00          | 3 1/4                                | 8 5/8                               | 9 5/8  | 1 7/8                                | 11.125  | 4 3/8   | 3 1/8  | 1/2   | 1 1/4   | 3 9/16  | 1 1/16  |        |
|                               | 60.00          | ZAFS5060MMF | 172.24  | 22.23  | 14.00          | ZAF5060MMF  | 172.24     | 22.23  | 14.00          | 82.55                                | 219.08                              | 244.48 | 47.63                                | 282.580 | 111.13  | 79.38  | 13.00 | 31.75   | 90.50   | 26.99   |        |
| 9                             | 2 11/16        | ZAFS5211F   | 7 1/2   | 7/8    | 45.50          | ZAF5211F    | 7 1/2      | 7/8    | 45.00          | 3 1/2                                | 9 7/8                               | 11     | 2 1/8                                | 12.590  | 4 7/8   | 3 1/2  | 5/8   | 1       | 4 1/16  | 1 1/4   |        |
|                               | 2 3/4          | ZAFS5212F   |         |        |                | ZAF5212F    |            |        |                |                                      |                                     |        |                                      |         |         |        |       |         |         |         | 20.60  |
| 9                             | 2 15/16        | ZAFS5215F   | 7 3/4   | 22.23  | 44.50          | ZAF5215F    | 7 3/4      | 22.23  | 20.00          | 3 3/4                                | 250.83                              | 279.40 | 53.98                                | 319.790 | 123.83  | 88.90  | 16.00 | 1 1/4   | 103.20  | 31.75   |        |
|                               | 70.00          | ZAFS5070MMF | 190.50  |        |                | 20.60       | ZAF5070MMF |        |                |                                      |                                     |        |                                      |         |         |        |       |         |         |         | 190.50 |
| 10                            | 3 3/16         | ZAFS5303F   | 8 1/4   | 15/16  | 60.00          | ZAF5303F    | 8 1/4      | 15/16  | 53.00          | 4                                    | 10 3/8                              | 11 5/8 | 2 1/8                                | 13.750  | 5 5/16  | 3 7/8  | 5/8   | 1 5/8   | 4 29/32 | 1 5/16  |        |
|                               | 3 7/16         | ZAFS5307F   | 9 9/32  |        |                | 75.50       | ZAF5307F   |        |                |                                      |                                     |        |                                      |         |         |        |       |         |         |         | 9 9/32 |
| 10                            | 80.00          | ZAFS5080MMF | 209.55  | 23.81  | 27.00          | ZAF5080MMF  | 209.55     | 23.81  | 24.00          | 101.60                               | 263.53                              | 295.28 | 53.98                                | 349.250 | 98.43   | 16.00  | 41.28 | 124.62  | 33.34   |         |        |
|                               | 85.00          | ZAFS5085MMF | 235.74  |        |                | 34.00       | ZAF5085MMF |        |                |                                      |                                     |        |                                      |         |         |        |       |         |         | 235.74  | 34.00  |
| 10                            | 90.00          | ZAFS5090MMF | 235.74  | 23.81  | 33.60          | ZAF5090MMF  | 235.74     | 23.81  | 33.60          | 114.30                               | 295.28                              | 333.38 | 60.33                                | 390.530 | 134.94  | 110.31 | 19.00 | 42.06   | 39.69   |         |        |
|                               | 90.00          | ZAFS5090MMF | 235.74  |        |                | 33.60       | ZAF5090MMF |        |                |                                      |                                     |        |                                      |         |         |        |       |         |         | 235.74  | 33.60  |
| 11                            | 3 15/16        | ZAFS5315F   | 10 5/16 | 1 1/32 | 104.00         | ZAF5315F    | 10 5/16    | 1 1/32 | 102.00         | 4 15/16                              | 12 19/32                            | 14 1/2 | 2 3/4                                | 16.500  | 6 1/8   | 4 3/4  | 3/4   | 1 25/32 | 5 5/8   | 1 53/64 |        |
|                               | 100.00         | ZAFS5100MMF | 261.94  | 26.19  | 47.00          | ZAF5100MMF  | 261.94     | 26.19  | 46.00          | 125.41                               | 319.86                              | 368.30 | 69.85                                | 419.100 | 155.58  | 120.65 | 19.00 | 45.24   | 142.90  | 46.43   |        |
| 12                            | 4 7/16         | ZAFS5407YF  | 11 7/8  | 1 1/16 | 144.00         | ZAF5407YF   | 11 7/8     | 1 1/16 | 143.00         | 6                                    | 14 1/2                              | 16     | 3 1/4                                | 18.375  | 6 1/4   | 5 1/8  | 7/8   | 2 1/16  | 6 3/16  | 1 3/4   |        |
|                               | 110.00         | ZAFS5110MMF | 301.63  | 26.99  | 65.00          | ZAF5110MMF  | 301.63     | 26.99  | 64.80          | 152.40                               | 368.30                              | 406.40 | 82.55                                | 466.730 | 158.75  | 130.18 | 22.00 | 52.39   | 157.16  | 44.45   |        |

Continued...

Continued...

**Bearing Dimensions**

| Size Code                                 | Shaft Diameter | Expansion   |          |        |                | Fixed       |            |        |                | A<br>Base to Centerline Height | B Distance Between Bolt Holes |        | G<br>Bolt Hole Spacing (Width) | C       | D      | E      | F       | H      | M       | S       |
|---|----------------|-------------|----------|--------|----------------|-------------|------------|--------|----------------|--------------------------------|-------------------------------|--------|--------------------------------|---------|--------|--------|---------|--------|---------|---------|
|   |                | Part Number | L        | P      | Approx. Weight | Part Number | L          | P      | Approx. Weight |                                | Min.                          | Max.   |                                |         |        |        |         |        |         |         |
| <b>Four-Bolt Pillow Block (continued)</b> |                |             |          |        |                |             |            |        |                |                                |                               |        |                                |         |        |        |         |        |         |         |
| 12  | 115.00         | ZAFS5115MMF | 301.63   | 26.99  | 65.00          | ZAF5115MMF  | 301.63     | 26.99  | 64.80          | 152.40                         | 368.30                        | 406.40 | 82.55                          | 466.730 | 158.75 | 130.18 | 22.00   | 52.39  | 157.16  | 44.45   |
| 13  | 4 15/16        | ZAFS5415F   | 12 9/16  | 1 5/32 | 209.00         | ZAF5415F    | 12 9/16    | 1 5/32 | 207.00         | 6                              | 15 5/8                        | 17 3/8 | 3 3/8                          | 19.700  | 7 7/8  | 5 7/8  | 1       | 2 1/16 | 7 1/16  | 1 15/16 |
|   | 125.00         | ZAFS5125MMF | 319.09   | 29.37  | 95.00          | ZAF5125MMF  | 319.09     | 29.37  | 94.00          | 152.40                         | 390.53                        | 441.33 | 85.73                          | 500.380 | 200.03 | 149.23 | 25.00   | 52.39  | 179.39  | 49.21   |
| 130.00                                    | ZAFS5130MMF    | ZAF5130MMF  |          |        |                |             |            |        |                |                                |                               |        |                                |         |        |        |         |        |         |         |
| 14  | 5 7/16         | ZAFS5507F   | 13 11/16 | 1 3/32 | 248.00         | ZAF5507F    | 13 7/16    | 1 7/32 | 233.00         | 6 11/16                        | 17 3/8                        | 19 1/4 | 3 3/4                          | 22.000  | 8      | 6 1/4  | 1       | 2 5/8  | 8 3/16  | 2       |
|   | 140.00         | ZAFS5140MMF | 347.66   | 27.76  | 112.00         | ZAF5140MMF  | 341.31     | 30.96  | 106.00         | 169.86                         | 441.33                        | 488.95 | 95.25                          | 558.800 | 203.20 | 158.75 | 25.00   | 66.68  | 207.96  | 50.80   |
| 15  | 5 15/16        | ZAFS5515F   | 14 9/16  | 1 1/16 | 295.00         | ZAF5515F    | 14 1/4     | 1 5/32 | 274.00         | 7 1/16                         | 19 3/8                        | 21 5/8 | 4 1/4                          | 24.750  | 8 1/8  | 6 3/4  | 1       | 2 3/4  | 8 5/8   | 2 3/16  |
|   | 6              | ZAFS5600F   |          |        | ZAF5600F       | 269.00      |            |        |                |                                |                               |        |                                |         |        |        |         |        |         |         |
|   | 150.00         | ZAFS5150MMF | 369.88   | 26.99  | 131.00         | ZAF5150MMF  | 361.95     | 29.37  | 124.00         | 179.39                         | 492.13                        | 549.28 | 107.95                         | 628.650 | 206.38 | 171.45 | 25.00   | 69.85  | 219.08  | 55.56   |
| 160.00                                    | ZAFS5160MMF    | ZAF5160MMF  |          |        |                |             |            |        |                |                                |                               |        |                                |         |        |        |         |        |         |         |
| 16  | 6 7/16         | ZAFS5607F   | 15 3/4   | 1 3/16 | 355.00         | ZAF5607F    | 15 5/16    | 1 9/32 | 337.00         | 7 1/2                          | 20 7/8                        | 23 5/8 | 4 5/8                          | 26.750  | 8 3/4  | 7 1/8  | 1       | 3      | 9 23/32 | 2 7/16  |
|   | 6 1/2          | ZAFS5608F   |          |        | 353.00         | ZAF5608F    |            |        | 335.00         |                                |                               |        |                                |         |        |        |         |        |         |         |
|   | 6 15/16        | ZAFS5615F   | 16 1/8   |        | 376.00         | ZAF5615F    | 15 11/16   |        | 347.00         | 7 7/8                          | 21 5/8                        | 24 3/8 | 4 1/2                          | 28.000  |        | 7 1/2  | 1 1/4   | 3 1/8  |         | 2 11/16 |
|   | 7              | ZAFS5700F   |          |        | 372.00         | ZAF5700F    |            |        | 345.00         |                                |                               |        |                                |         |        |        |         |        |         |         |
|   | 180.00         | ZAFS5180MMF | 409.58   |        | 30.16          | 169.00      | ZAF5180MMF |        | 398.46         | 32.54                          | 169.00                        | 200.03 | 549.28                         | 619.13  |        | 114.30 | 711.200 | 222.25 |         | 190.50  |

**Additional Notes**

Please call 1-866-REXNORD for availability  
 Metric bore sizes available, see the Rex Interchangeability guide  
 Lubrication fitting tap size: for size code 6 thru 11, 1/8" PT; for all other size codes, 1/4" PT  
 Base to centerline tolerance, +/-0.005 in (+/-0.13 mm)  
 Bore size = nominal shaft size +.001 in/-0.000 in (+0.03mm/-0.00mm)  
 Expansion - size code 6-8 is 3/8", size code 9 thru 11 is 1/2" & size code 12 thru 16 is 3/4"  
 Seals - To specify K or M seal, replace "Z" in part number with "K" or "M"

"K" seals only available in size codes 6 thru 11  
 Auxiliary end caps - available in all sizes  
 Pad length tolerance, +/-0.0075 in (+/-0.19mm) for size codes 6 thru 13, +/-0.015 in (+/-0.38mm) for size codes 14 thru 16  
 For the Selection Guide, Load Ratings and Speed Limits, see the Rex Spherical Roller Bearings Engineering section  
 Note: Dimensions subject to change. Certified dimensions of ordered material furnished on request.



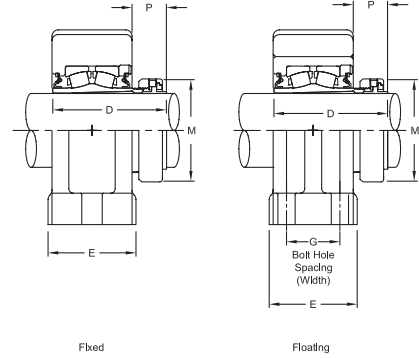
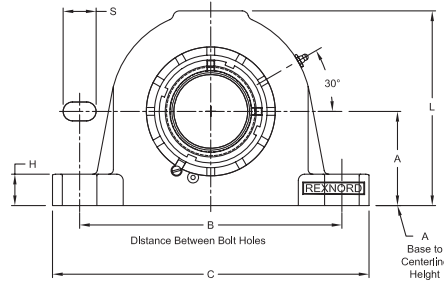
# ZAF6000, ZAFS6000



Photo Shows a 2-Bolt Spherical Roller Bearing Pillow Block Unit

## Product Features

- Spyglass™ Optical Strain Sensor (OSS) Technology
- Positive locking system
- Tapered adapter sleeve
- SAF Interchange
- Precision milled ends
- Corrosion-resistant powder coating
- Cast iron housing
- Misalignment capabilities - total of 4°
- Broad range of sealing options
- See Features & Benefits for additional info.



## Bearing Dimensions

| Size Code                     | Shaft Diameter | Expansion   |         |         |                | Fixed       |         |         |                | A<br>Base to Centerline Height | B Distance Between Bolt Holes |        | G Bolt Hole Spacing (Width) | C       | D       | E       | F      | H       | M       | S       |
|-------------------------------|----------------|-------------|---------|---------|----------------|-------------|---------|---------|----------------|--------------------------------|-------------------------------|--------|-----------------------------|---------|---------|---------|--------|---------|---------|---------|
|                               |                | Part Number | L       | P       | Approx. Weight | Part Number | L       | P       | Approx. Weight |                                | Min.                          | Max.   |                             |         |         |         |        |         |         |         |
| <b>Two-Bolt Pillow Block</b>  |                |             |         |         |                |             |         |         |                |                                |                               |        |                             |         |         |         |        |         |         |         |
| 6                             | 1 15/16        | ZAFS6115    | 5 5/16  | 1 1/8   | 20.00          | ZAF6115     | 5 5/16  | 1 1/8   | 16.50          | 2 3/4                          | 7 3/8                         | 7 7/8  | -                           | 9.625   | 3 41/64 | 2 3/4   | 5/8    | 1       | 2 55/64 | 15/16   |
|                               | 45.00          | ZAFS6045MM  | 134.94  | 28.58   | 9.00           | ZAF6045MM   | 134.94  | 28.58   | 7.50           | 69.85                          | 187.33                        | 200.03 | -                           | 244.480 | 92.47   | 69.85   | 16.00  | 25.40   | 72.63   | 23.81   |
| 7                             | 2 3/16         | ZAFS6203    | 5 31/32 | 1 5/32  | 25.50          | ZAF6203     | 5 31/32 | 1 5/32  | 21.00          | 3                              | 8 1/8                         | 9 1/2  | -                           | 11.000  | 3 11/16 | 3 1/8   | 5/8    | 1       | 3 15/64 | 1 3/8   |
|                               | 55.00          | ZAFS6055MM  | 151.61  | 29.37   | 11.50          | ZAF6055MM   | 151.61  | 29.37   | 9.50           | 76.20                          | 206.38                        | 241.30 | -                           | 279.400 | 93.66   | 79.38   | 16.00  | 25.40   | 82.15   | 34.93   |
| 8                             | 2 3/8          | ZAFS6206    | 6 25/32 | 1 27/64 | 32.50          | ZAF6206     | 6 25/32 | 1 27/64 | 32.50          | 3 1/4                          | 8 5/8                         | 9 5/8  | -                           | 11.125  | 4 1/16  | 3 1/8   | 5/8    | 1 1/4   | 3 19/32 | 1 3/16  |
|                               | 60.00          | ZAFS6060MM  | 172.24  | 36.12   | 14.70          | ZAF6060MM   | 172.24  | 36.12   | 14.70          | 82.55                          | 219.08                        | 244.48 | -                           | 282.580 | 103.19  | 79.38   | 16.00  | 31.75   | 91.28   | 30.16   |
| 9                             | 2 11/16        | ZAFS6211    | 7 1/2   | 1 25/64 | 45.00          | ZAF6211     | 7 1/2   | 1 25/64 | 45.00          | 3 1/2                          | 9 7/8                         | 11     | -                           | 12.590  | 4 17/32 | 3 1/2   | 3/4    | 1       | 4 3/32  | 1 3/8   |
|                               | 70.00          | ZAFS6070MM  |         |         |                | 190.50      |         |         |                |                                |                               |        |                             |         |         |         |        |         |         |         |
|                               | 75.00          | ZAFS6075MM  | 196.85  | 20.40   | ZAF6075MM      | 196.85      | 35.32   | 20.40   | 95.25          | -                              | -                             | -      | -                           | -       | -       | -       | -      | 31.75   | -       | -       |
|                               | 85.00          | ZAFS6085MM  | 235.74  | 40.48   | ZAF6085MM      | 235.74      | 40.48   | 34.70   | 114.30         | 295.28                         | 333.38                        | -      | 390.530                     | 127.79  | 110.31  | 22.00   | 42.06  | 125.81  | 42.86   |         |
| 10                            | 3 3/16         | ZAFS6303    | 8 1/4   | 1 19/32 | 59.00          | ZAF6303     | 8 1/4   | 1 19/32 | 52.00          | 4                              | 10 3/8                        | 11 5/8 | -                           | 13.750  | 5 1/32  | 3 7/8   | 3/4    | 1 5/8   | 4 61/64 | 1 7/16  |
|                               | 80.00          | ZAFS6080MM  | 209.55  | 27.00   | ZAF6080MM      | 209.55      | 40.48   | 24.00   | 101.60         | 263.53                         | 295.28                        | -      | 349.250                     | 98.43   | 19.00   | 41.28   | 125.81 | 42.86   |         |         |
| 11                            | 3 7/16         | ZAFS6307    | 9 9/32  | 1 19/32 | 76.50          | ZAF6307     | 9 9/32  | 1 19/32 | 76.50          | 4 1/2                          | 11 5/8                        | 13 1/8 | -                           | 15.375  | 5 1/32  | 4 11/32 | 7/8    | 1 21/32 | 4 61/64 | 1 11/16 |
|                               | 85.00          | ZAFS6085MM  | 235.74  | 40.48   | ZAF6085MM      | 235.74      | 40.48   | 34.70   | 114.30         | 295.28                         | 333.38                        | -      | 390.530                     | 127.79  | 110.31  | 22.00   | 42.06  | 125.81  | 42.86   |         |
| 12                            | 4 7/16         | ZAFS6407YF  | 11 7/8  | 1 7/8   | 144.00         | ZAF6407YF   | 11 7/8  | 1 7/8   | 144.00         | 6                              | 14 1/2                        | 16     | -                           | 18.375  | 6 1/4   | 5 1/8   | 7/8    | 2 1/16  | 6 1/16  | 1 3/4   |
|                               | 110.00         | ZAFS6110MMF | 301.63  | 47.63   | 65.00          | ZAF6110MMF  | 301.63  | 47.63   | 64.80          | 152.40                         | 368.30                        | 406.40 | -                           | 466.730 | 158.75  | 130.18  | 22.00  | 52.39   | 153.99  | 44.45   |
| <b>Four-Bolt Pillow Block</b> |                |             |         |         |                |             |         |         |                |                                |                               |        |                             |         |         |         |        |         |         |         |
| 8                             | 2 3/8          | ZAFS6206F   | 6 25/32 | 1 27/64 | 31.00          | ZAF6206F    | 6 25/32 | 1 27/64 | 31.00          | 3 1/4                          | 8 5/8                         | 9 5/8  | 1 7/8                       | 11.125  | 4 1/16  | 3 1/8   | 1/2    | 1 1/4   | 3 19/32 | 1 1/16  |
|                               | 60.00          | ZAFS6060MMF |         |         |                | 172.24      |         |         |                |                                |                               |        |                             |         |         |         |        |         |         |         |
| 9                             | 2 11/16        | ZAFS6211F   | 7 1/2   | 1 25/64 | 44.50          | ZAF6211F    | 7 1/2   | 1 25/64 | 44.50          | 3 1/2                          | 9 7/8                         | 11     | 2 1/8                       | 12.590  | 4 17/32 | 3 1/2   | 5/8    | 1       | 4 3/32  | 1 1/4   |
|                               | 70.00          | ZAFS6070MMF |         |         |                | 190.50      |         |         |                |                                |                               |        |                             |         |         |         |        |         |         |         |
| 10                            | 3 3/16         | ZAFS6303F   | 8 1/4   | 1 19/32 | 59.00          | ZAF6303F    | 8 1/4   | 1 19/32 | 52.00          | 4                              | 10 3/8                        | 11 5/8 | 2 1/8                       | 13.750  | 5 1/32  | 3 7/8   | 5/8    | 1 5/8   | 4 61/64 | 1 5/16  |
|                               | 80.00          | ZAFS6080MMF |         |         |                | 209.55      |         |         |                |                                |                               |        |                             |         |         |         |        |         |         |         |
| 11                            | 3 7/16         | ZAFS6307F   | 9 9/32  | 1 19/32 | 75.00          | ZAF6307F    | 9 9/32  | 1 19/32 | 75.00          | 4 1/2                          | 11 5/8                        | 13 1/8 | 2 3/8                       | 15.375  | 5 1/32  | 4 11/32 | 3/4    | 1 21/32 | 4 61/64 | 1 9/16  |
|                               | 85.00          | ZAFS6085MMF |         |         |                | 235.74      |         |         |                |                                |                               |        |                             |         |         |         |        |         |         |         |
| 12                            | 4 7/16         | ZAFS6407YF  | 11 7/8  | 1 7/8   | 144.00         | ZAF6407YF   | 11 7/8  | 1 7/8   | 144.00         | 6                              | 14 1/2                        | 16     | 3 1/4                       | 18.375  | 6 1/4   | 5 1/8   | 7/8    | 2 1/16  | 6 1/16  | 1 3/4   |
|                               | 110.00         | ZAFS6110MMF |         |         |                | 301.63      |         |         |                |                                |                               |        |                             |         |         |         |        |         |         |         |

Continued...

Continued...

**Bearing Dimensions**

| Size Code | Shaft Diameter | Expansion   |          |         |                | Fixed       |          |         |                | A Base to Centerline Height | B Distance Between Bolt Holes      |        | G Bolt Hole Spacing (Width) | C       | D       | E      | F     | H      | M       | S       |
|-----------|----------------|-------------|----------|---------|----------------|-------------|----------|---------|----------------|-----------------------------|------------------------------------|--------|-----------------------------|---------|---------|--------|-------|--------|---------|---------|
|           |                | Part Number | L        | P       | Approx. Weight | Part Number | L        | P       | Approx. Weight |                             | Min.                               | Max.   |                             |         |         |        |       |        |         |         |
|           |                |             |          |         |                |             |          |         |                |                             | Four-Bolt Pillow Block (continued) |        |                             |         |         |        |       |        |         |         |
| 13        | 4 15/16        | ZAFS6415F   | 12 9/16  | 2 1/4   | 208.00         | ZAF6415F    | 12 9/16  | 2 1/4   | 208.00         | 6                           | 15 5/8                             | 17 3/8 | 3 3/8                       | 19.700  | 7 15/16 | 5 7/8  | 1     | 2 1/16 | 6 61/64 | 1 15/16 |
|           | 125.00         | ZAFS6125MMF | 319.09   | 57.15   | 95.00          | ZAF6125MMF  | 319.09   | 57.15   | 94.00          | 152.40                      | 390.53                             | 441.33 | 85.73                       | 500.380 | 201.61  | 149.23 | 25.00 | 52.39  | 176.61  | 49.21   |
| 14        | 5 7/16         | ZAFS6507F   | 13 11/16 | 2 15/16 | 248.00         | ZAF6507F    | 13 7/16  | 3 3/64  | 233.00         | 6 11/16                     | 17 3/8                             | 19 1/4 | 3 3/4                       | 22.000  | 8 49/64 | 6 1/4  | 1     | 2 5/8  | 8 1/64  | 2       |
| 15        | 5 15/16        | ZAFS6515F   | 14 9/16  | 3 23/64 | 295.00         | ZAF6515F    | 14 1/4   | 3 7/16  | 274.00         | 7 1/16                      | 19 3/8                             | 21 5/8 | 4 1/4                       | 24.750  | 9 19/64 | 6 3/4  | 1     | 2 3/4  | 8 21/32 | 2 3/16  |
| 16        | 6 7/16         | ZAFS6607F   | 15 3/4   | 3 37/64 | 355.00         | ZAF6607F    | 15 5/16  | 3 43/64 | 337.00         | 7 1/2                       | 20 7/8                             | 23 5/8 | 4 5/8                       | 26.750  | 10      | 7 1/8  | 1     | 3      | 9 3/4   | 2 7/16  |
|           | 6 15/16        | ZAFS6615F   | 16 1/8   | 3 37/64 | 376.00         | ZAF6615F    | 15 11/16 | 3 43/64 | 347.00         | 7 7/8                       | 21 5/8                             | 24 3/8 | 4 1/2                       | 28.000  | 10      | 7 1/2  | 1 1/4 | 3 1/8  | 9 3/4   | 2 11/16 |

**Additional Notes**

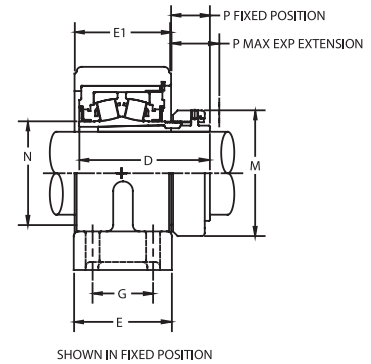
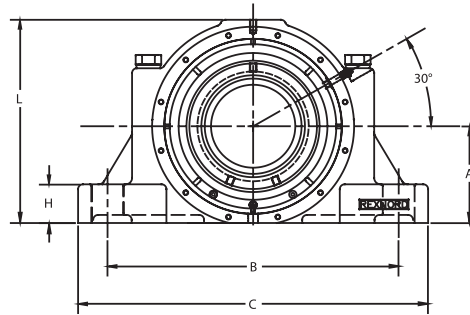
Please call 1-866-REXNORD for availability  
 Metric bore sizes available, see the Rex Interchangeability guide  
 Lubrication fitting tap size: for size code 6 thru 11, 1/8" PT; for all other size codes, 1/4" PT  
 Base to centerline tolerance, +/- .005 in (+/-0.13 mm)  
 Expansion - size code 6-8 is 3/8", size code 9 thru 11 is 1/2" & size code 12 thru 16 is 3/4"  
 Seals - To specify K or M seal, replace "Z" in part number with "K" or "M"

"K" seals only available in size codes 6 thru 11  
 Auxiliary end caps - available in all sizes  
 Pad length tolerance, +/- .0075 in (+/-0.19mm) for size codes 6 thru 13, +/- .015 in (+/-0.38mm) for size codes 14 thru 16  
 For the Selection Guide, Load Ratings and Speed Limits, see the Rex Spherical Roller Bearings Engineering section  
 Note: Dimensions subject to change. Certified dimensions of ordered material furnished on request.



**Product Features**

- Spyglass™ Optical Strain Sensor (OSS) Technology
- Positive locking system
- Tapered adapter sleeve
- SAF Interchange
- Precision milled ends
- Corrosion-resistant powder coating
- Cast iron split housing
- Pre-Drilled/Tapped for Auxiliary Caps
- Unitized cartridge bearing
- Misalignment capabilities - total of 4°
- Broad range of sealing options
- See Features & Benefits for additional info



**Bearing Dimensions**

| Size Code | Shaft Diameter | Expansion   |          |                   | Fixed       |          |         | A Base to Centerline Height | B Distance Between Bolt Holes |        | G Bolt Hole Spacing (Width) | C      | D       | E     | E1    | F (Bolts) | H     | M       | N       | Approx. Weight |
|-----------|----------------|-------------|----------|-------------------|-------------|----------|---------|-----------------------------|-------------------------------|--------|-----------------------------|--------|---------|-------|-------|-----------|-------|---------|---------|----------------|
|           |                | Part Number | L        | P (Max Expansion) | Part Number | L        | P       |                             | Min.                          | Max.   |                             |        |         |       |       |           |       |         |         |                |
| 14        | 5 7/16         | ZLFS6507F   | 13 11/16 | 3 3/64            | ZLF6507F    | 13 11/16 | 2 11/32 | 6 11/16                     | 17 3/8                        | 19 1/4 | 3 3/4                       | 22     | 8 49/64 | 6 1/4 | 6 3/4 | 1         | 2 5/8 | 8 1/64  | 6 1/2   | 248            |
| 15        | 5 15/16        | ZLFS6515F   | 14 9/16  | 3 7/16            | ZLF6515F    | 14 9/16  | 2 47/64 | 7 1/16                      | 19 3/8                        | 21 5/8 | 4 1/4                       | 24 3/4 | 9 19/64 | 6 3/4 | 7     | 1         | 2 3/4 | 8 21/32 | 7 13/64 | 295            |
| 16        | 6 7/16         | ZLFS6607F   | 15 3/4   | 3 43/64           | ZLF6607F    | 15 3/4   | 2 31/32 | 7 1/2                       | 20 7/8                        | 23 5/8 | 4 5/8                       | 26 3/4 | 10      | 7 1/2 | 7 3/8 | 1         | 3     | 9 3/4   | 8 3/64  | 355            |
|           | 6 15/16        | ZLFS6615F   | 16 1/8   | 3 43/64           | ZLF6615F    | 16 1/8   | 2 31/32 | 7 7/8                       | 21 5/8                        | 24 3/8 | 4 1/2                       | 28     | 10      | 7 1/2 | 7 3/8 | 1 1/4     | 3 1/8 | 9 3/4   | 8 3/64  | 376            |

**Additional Notes**

- Please call 1-866-REXNORD for availability
- Lubrication fitting tap size 1/4" PT
- Base to centerline +/- .005 in (+/- 0.13 mm)
- Bore size = nominal shaft size + .001"/-.000"
- Seals - To specify M seal, replace "Z" in part number with "M"
- Auxiliary end caps - available except as noted
- Expansion - 3/4"

For the Selection Guide, Load Ratings and Speed Limits, see the Rex Spherical Roller Bearings Engineering section  
 Note: Dimensions subject to change. Certified dimensions of ordered material furnished on request.

# ZA2000, ZAS2000

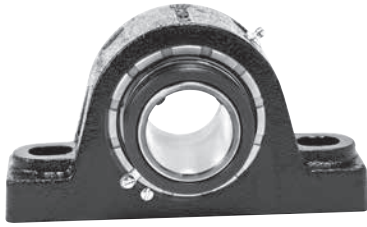
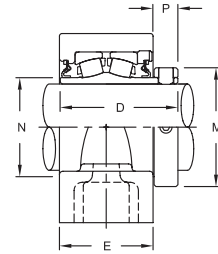
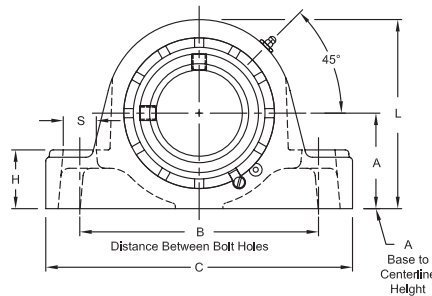


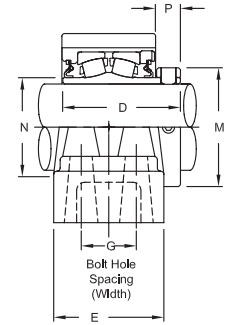
Photo Shows a 2-Bolt Spherical Roller Bearing Pillow Block Unit

## Product Features

- Corrosion-resistant powder coating
- Cast iron housing
- Misalignment capabilities - total of 4°
- Broad range of sealing options
- Factory set clearance & lubrication
- Precision ground & superfinished raceways
- Hardened spring locking collar
- Field interchangeable seals
- Fixed or Expansion - total of 3/8" expansion
- See Features & Benefits for additional info.



Fixed Block



Floating Block

## Bearing Dimensions

| Size Code                    | Shaft Diameter | Expansion   |         |         |       |        | Fixed  |             |         |         |        | A<br>Base to Centerline Height | B<br>Distance Between Bolt Holes | D      | F<br>Bolts | G<br>Bolt Hole Spacing | M     | N | P       | Approx. Weight |       |       |
|------------------------------|----------------|-------------|---------|---------|-------|--------|--------|-------------|---------|---------|--------|--------------------------------|----------------------------------|--------|------------|------------------------|-------|---|---------|----------------|-------|-------|
|                              |                | Part Number | C       | E       | H     | L      | S      | Part Number | C       | E       | H      |                                |                                  |        |            |                        |       |   |         |                | L     | S     |
| <b>Two-Bolt Pillow Block</b> |                |             |         |         |       |        |        |             |         |         |        |                                |                                  |        |            |                        |       |   |         |                |       |       |
| 2                            | 3/4            | -           | -       | -       | -     | -      | -      | ZA2012      |         |         |        |                                |                                  |        |            |                        |       |   |         | 4.40           |       |       |
|                              | 15/16          | -           | -       | -       | -     | -      | -      | ZA2015      | 5 7/8   | 2       | 3/4    | 3 1/16                         | 7/8                              | 1 9/16 | 4 3/8      | 2 9/16                 | 1/2   | - | 1 3/4   | 1 5/16         | 9/16  | 4.30  |
|                              | 1              | -           | -       | -       | -     | -      | -      | ZA2100      |         |         |        |                                |                                  |        |            |                        |       |   |         |                |       | 4.20  |
|                              | 25.00          | -           | -       | -       | -     | -      | -      | ZA2025MM    | 149.23  | 50.80   | 19.05  | 77.79                          | 22.23                            | 39.69  | 111.13     | 65.09                  | 13.00 | - | 44.45   | 33.34          | 14.29 | 2.00  |
| 3                            | 1 1/8          | -           | -       | -       | -     | -      | -      | ZA2102      |         |         |        |                                |                                  |        |            |                        |       |   |         |                |       | 5.50  |
|                              | 1 3/16         | -           | -       | -       | -     | -      | -      | ZA2103      | 6 5/16  | 2 1/8   | 7/8    | 3 7/16                         | 7/8                              | 1 3/4  | 4 3/4      | 2 11/16                | 1/2   | - | 2       | 1 17/32        | 9/16  | 5.40  |
|                              | 1 1/4          | -           | -       | -       | -     | -      | -      | ZA2104      |         |         |        |                                |                                  |        |            |                        |       |   |         |                |       |       |
|                              | 30.00          | -           | -       | -       | -     | -      | -      | ZA2030MM    | 160.34  | 53.94   | 22.23  | 87.31                          | 22.23                            | 44.45  | 120.65     | 68.26                  | 13.00 | - | 50.00   | 38.89          | 14.29 | 2.50  |
| 4                            | 1 7/16         | ZAS2107     | 6 9/16  | 2 3/16  | 1     | 3 7/8  | 7/8    | ZA2107      | 6 9/16  | 2 1/4   | 1 3/16 | 3 11/16                        | 13/16                            | 1 7/8  | 5          | 2 7/8                  | 1/2   | - | 2 5/16  | 1 3/4          | 11/16 | 7.00  |
|                              | 1 1/2          | ZAS2108     |         |         |       |        |        | ZA2108      |         |         |        |                                |                                  |        |            |                        |       |   |         |                |       | 6.90  |
|                              | 35.00          | ZAS2035MM   | 166.96  | 55.56   | 25.40 | 98.42  | 22.23  | ZA2035MM    | 166.96  | 55.56   | 30.16  | 93.66                          | 20.64                            | 47.63  | 127.00     | 73.02                  | 13.00 | - | 58.74   | 44.45          | 17.46 | 3.20  |
| 5                            | 1 11/16        | ZAS2111     | 7 1/8   | 2 7/16  | 1     | 4 3/8  | 7/8    | ZA2111      | 7 1/8   | 2 1/2   | 1 5/16 | 4 1/4                          | 13/16                            | 2 1/8  | 5 1/2      | 3 1/8                  | 1/2   | - | 2 5/8   | 2 1/32         | 11/16 | 9.50  |
|                              | 1 3/4          | ZAS2112     |         |         |       |        |        | ZA2112      |         |         |        |                                |                                  |        |            |                        |       |   |         |                |       | 9.40  |
|                              | 40.00          | ZAS2040MM   | 180.98  | 63.5    | 28.58 | 111.13 | 22.23  | ZA2040MM    | 180.98  | 63.50   | 33.34  | 107.95                         | 20.64                            | 53.98  | 139.70     | 79.38                  | 13.00 | - | 65.88   | 51.59          | 17.46 | 4.10  |
|                              | 45.00          | ZAS2045MM   |         |         |       |        |        | ZAS2045MM   |         |         |        |                                |                                  |        |            |                        |       |   |         |                |       | 4.30  |
| 6                            | 1 15/16        | ZAS2115     | 8 3/8   | 2 1/2   | 1 3/8 | 4 9/16 | 15/16  | ZA2115      | 8 1/8   | 2 1/2   | 1 3/8  | 4 9/16                         | 15/16                            | 2 1/4  | 6 1/4      | 3 1/8                  | 5/8   | - | 2 15/16 | 2 5/16         | 11/16 | 10.90 |
|                              | 2              | ZAS2200     |         |         |       |        |        | ZA2200      |         |         |        |                                |                                  |        |            |                        |       |   |         |                |       | 10.70 |
|                              | 50.00          | ZAS2050MM   | 212.73  | 63.50   | 34.93 | 115.89 | 25.40  | ZA2050MM    | 206.37  | 63.50   | 34.93  | 115.89                         | 25.40                            | 57.15  | 158.75     | 79.38                  | 16.00 | - | 73.03   | 58.74          | 17.46 | 4.90  |
| 7                            | 2 3/16         | ZAS2203     | 8 7/8   | 2 9/16  | 1 5/8 | 5      | 15/16  | ZA2203      | 8 5/8   | 2 9/16  | 1 5/8  | 5                              | 15/16                            | 2 1/2  | 6 3/4      | 3 5/16                 | 5/8   | - | 3 1/4   | 2 5/8          | 25/32 | 13.50 |
|                              | 2 1/4          | ZAS2204     |         |         |       |        |        | ZA2204      |         |         |        |                                |                                  |        |            |                        |       |   |         |                |       | 13.30 |
|                              | 55.00          | ZAS2055MM   | 225.43  | 65.09   | 41.28 | 127.00 | 25.40  | ZA2055MM    | 219.08  | 65.09   | 41.28  | 127.00                         | 25.40                            | 63.50  | 171.45     | 84.14                  | 16.00 | - | 82.60   | 66.68          | 20.64 | 6.10  |
| 8                            | 2 3/8          | ZAS2206     |         |         |       |        |        | ZA2206      |         |         |        |                                |                                  |        |            |                        |       |   |         |                |       | 16.10 |
|                              | 2 7/16         | ZAS2207     | 9 1/4   | 2 11/16 | 1 5/8 | 5 1/2  | 15/16  | ZA2207      | 9 1/8   | 2 11/16 | 1 5/8  | 5 1/2                          | 15/16                            | 2 3/4  | 7 1/8      | 3 1/2                  | 5/8   | - | 3 9/16  | 2 29/32        | 7/8   | 16.30 |
|                              | 2 1/2          | ZAS2208     |         |         |       |        |        | ZA2208      |         |         |        |                                |                                  |        |            |                        |       |   |         |                |       | 16.60 |
|                              | 60.00          | ZAS2060MM   | 234.95  | 68.26   | 41.28 | 139.70 | 25.40  | ZA2060MM    | 231.78  | 68.26   | 41.28  | 139.70                         | 25.40                            | 69.85  | 180.98     | 88.90                  | 16.00 | - | 90.50   | 73.81          | 22.23 | 7.30  |
|                              | 65.00          | ZAS2065MM   |         |         |       |        |        | ZAS2065MM   |         |         |        |                                |                                  |        |            |                        |       |   |         |                |       | 7.60  |
| 9                            | 2 11/16        | ZAS2211     |         |         |       |        |        | ZA2211      |         |         |        |                                |                                  |        |            |                        |       |   |         |                |       | 27.30 |
|                              | 2 3/4          | ZAS2212     | 10 7/16 | 3 3/16  | 2     | 6 7/16 | 1 1/16 | ZA2212      | 10 7/16 | 3 3/16  | 2      | 6 7/16                         | 1 1/16                           | 3 1/4  | 8 1/8      | 4                      | 3/4   | - | 4 1/16  | 3 3/8          | 13/16 | 26.90 |
|                              | 2 15/16        | ZAS2215     |         |         |       |        |        | ZA2215      |         |         |        |                                |                                  |        |            |                        |       |   |         |                |       | 26.00 |
|                              | 70.00          | ZAS2070MM   | 265.11  | 80.96   | 50.80 | 163.51 | 28.58  | ZA2070MM    | 265.11  | 80.96   | 50.80  | 163.51                         | 28.58                            | 82.55  | 206.38     | 101.60                 | 19.00 | - | 103.20  | 85.73          | 22.23 | 25.60 |
|                              | 75.00          | ZAS2075MM   |         |         |       |        |        | ZAS2075MM   |         |         |        |                                |                                  |        |            |                        |       |   |         |                |       | 11.00 |
| 10                           | 3 3/16         | ZAS2303     | 13      | 3 7/16  | 2 1/4 | 7 1/2  | 1 5/8  | ZA2303      | 13      | 3 7/16  | 2 1/4  | 7 1/2                          | 1 5/8                            | 3 3/4  | 10         | 4 3/8                  | 7/8   | - | 4 15/16 | 3 31/32        | 15/16 | 41.80 |
|                              | 3 7/16         | ZAS2307     |         |         |       |        |        | ZA2307      |         |         |        |                                |                                  |        |            |                        |       |   |         |                |       | 40.30 |
|                              | 3 1/2          | ZAS2308     |         |         |       |        |        | ZA2308      |         |         |        |                                |                                  |        |            |                        |       |   |         |                |       | 39.80 |

Continued...

Continued...

**Bearing Dimensions**

| Size Code                            | Shaft Diameter | Expansion   |         |        |        |        | Fixed     |             |         |        |        | A<br>Base to Center-line Height | B<br>Distance Between Bolt Holes | D      | F<br>Bolts | G<br>Bolt Hole Spacing | M     | N       | P       | Approx. Weight |        |        |       |        |       |           |        |        |       |        |       |        |        |        |       |       |        |        |       |       |       |
|--------------------------------------|----------------|-------------|---------|--------|--------|--------|-----------|-------------|---------|--------|--------|---------------------------------|----------------------------------|--------|------------|------------------------|-------|---------|---------|----------------|--------|--------|-------|--------|-------|-----------|--------|--------|-------|--------|-------|--------|--------|--------|-------|-------|--------|--------|-------|-------|-------|
|                                      |                | Part Number | C       | E      | H      | L      | S         | Part Number | C       | E      | H      |                                 |                                  |        |            |                        |       |         |         |                | L      | S      |       |        |       |           |        |        |       |        |       |        |        |        |       |       |        |        |       |       |       |
| <b>Two-Bolt Pillow Block (cont.)</b> |                |             |         |        |        |        |           |             |         |        |        |                                 |                                  |        |            |                        |       |         |         |                |        |        |       |        |       |           |        |        |       |        |       |        |        |        |       |       |        |        |       |       |       |
| 10                                   | 80.00          | ZAS2080MM   |         |        |        |        |           | ZA2080MM    |         |        |        |                                 |                                  |        |            |                        |       |         |         | 19.00          |        |        |       |        |       |           |        |        |       |        |       |        |        |        |       |       |        |        |       |       |       |
|                                      | 85.00          | ZAS2085MM   | 330.20  | 87.31  | 57.15  | 190.50 | 41.28     | ZA2085MM    | 330.2   | 87.31  | 57.15  | 190.50                          | 41.28                            | 95.25  | 254.00     | 111.13                 | 22.00 | -       | 124.62  | 100.81         | 23.81  | 18.30  |       |        |       |           |        |        |       |        |       |        |        |        |       |       |        |        |       |       |       |
|                                      | 90.00          | ZAS2090MM   |         |        |        |        |           | ZAS2090MM   |         |        |        |                                 |                                  |        |            |                        |       |         |         |                |        | 18.00  |       |        |       |           |        |        |       |        |       |        |        |        |       |       |        |        |       |       |       |
| 11                                   | 3 11/16        | ZAS2311     | 14 1/4  | 4 1/8  | 2 1/8  | 8 1/2  | 1 3/4     | ZA2311      | 14 1/4  | 4 1/8  | 2 1/8  | 8 1/2                           | 1 3/4                            | 4 1/8  | 10 7/8     | 5 1/16                 | 1     | -       | 5 5/8   | 4 9/16         | 1 1/16 | 58.00  |       |        |       |           |        |        |       |        |       |        |        |        |       |       |        |        |       |       |       |
|                                      | 3 15/16        | ZAS2315     |         |        |        |        |           | ZA2315      |         |        |        |                                 |                                  |        |            |                        |       |         |         |                |        | 56.00  |       |        |       |           |        |        |       |        |       |        |        |        |       |       |        |        |       |       |       |
|                                      | 4              | ZAS2400     |         |        |        |        |           | ZA2400      |         |        |        |                                 |                                  |        |            |                        |       |         |         |                |        | 55.00  |       |        |       |           |        |        |       |        |       |        |        |        |       |       |        |        |       |       |       |
| 100.00                               | ZAS2100MM      | 361.95      | 104.78  | 53.98  | 215.90 | 44.45  | ZA2100MM  | 361.95      | 104.78  | 53.98  | 215.90 | 44.45                           | 104.78                           | 276.23 | 128.59     | 25.00                  | -     | 142.90  | 115.89  | 26.19          | 25.40  |        |       |        |       |           |        |        |       |        |       |        |        |        |       |       |        |        |       |       |       |
| <b>Four-Bolt Pillow Block</b>        |                |             |         |        |        |        |           |             |         |        |        |                                 |                                  |        |            |                        |       |         |         |                |        |        |       |        |       |           |        |        |       |        |       |        |        |        |       |       |        |        |       |       |       |
| 6                                    | 1 15/16        | ZAS2115F    | 8 3/8   | 3 3/16 | 1 3/8  | 4 9/16 | 13/16     | ZA2115F     | 8 3/8   | 3 3/16 | 1 3/8  | 4 9/16                          | 13/16                            | 2 1/4  | 6 1/4      | 3 1/8                  | 1/2   | 1 19/32 | 2 15/16 | 2 5/16         | 11/16  | 13.20  |       |        |       |           |        |        |       |        |       |        |        |        |       |       |        |        |       |       |       |
|                                      | 2              | ZAS2200F    |         |        |        |        |           | ZA2200F     |         |        |        |                                 |                                  |        |            |                        |       |         |         |                |        | 13.10  |       |        |       |           |        |        |       |        |       |        |        |        |       |       |        |        |       |       |       |
| 7                                    | 45.00          | ZAS2050MMF  | 212.73  | 80.96  | 34.93  | 115.89 | 22.23     | ZA2050MMF   | 212.73  | 80.96  | 34.93  | 115.89                          | 22.23                            | 57.15  | 158.75     | 79.38                  | 13.00 | 40.89   | 73.03   | 58.74          | 17.46  | 5.90   |       |        |       |           |        |        |       |        |       |        |        |        |       |       |        |        |       |       |       |
|                                      | 2 3/16         | ZAS2203F    | 8 7/8   | 3 1/4  | 1 5/8  | 5      | 13/16     | ZA2203F     | 8 7/8   | 3 1/4  | 1 5/8  | 5                               | 13/16                            | 2 1/2  | 6 3/4      | 3 5/16                 | 1/2   | 1 11/16 | 3 1/4   | 2 5/8          | 25/32  | 15.30  |       |        |       |           |        |        |       |        |       |        |        |        |       |       |        |        |       |       |       |
|                                      | 2 1/4          | ZAS2204F    |         |        |        |        |           | ZA2204F     |         |        |        |                                 |                                  |        |            |                        |       |         |         |                |        | 15.10  |       |        |       |           |        |        |       |        |       |        |        |        |       |       |        |        |       |       |       |
| 55.00                                | ZAS2055MMF     | 225.43      | 82.55   | 41.28  | 127.00 | 22.23  | ZA2055MMF | 225.43      | 82.55   | 41.28  | 127.00 | 22.23                           | 63.50                            | 171.45 | 84.14      | 13.00                  | 42.86 | 82.60   | 66.68   | 20.64          | 7.00   |        |       |        |       |           |        |        |       |        |       |        |        |        |       |       |        |        |       |       |       |
| 8                                    | 2 3/8          | ZAS2206F    | 9 1/4   | 3 3/8  | 1 3/4  | 5 1/2  | 13/16     | ZA2206F     | 9 1/4   | 3 3/8  | 1 3/4  | 5 1/2                           | 13/16                            | 2 3/4  | 7 1/8      | 3 1/2                  | 1/2   | 1 3/4   | 3 9/16  | 2 29/32        | 7/8    | 16.90  |       |        |       |           |        |        |       |        |       |        |        |        |       |       |        |        |       |       |       |
|                                      | 2 7/16         | ZAS2207F    |         |        |        |        |           | ZA2207F     |         |        |        |                                 |                                  |        |            |                        |       |         |         |                |        | 16.60  |       |        |       |           |        |        |       |        |       |        |        |        |       |       |        |        |       |       |       |
|                                      | 2 1/2          | ZAS2208F    |         |        |        |        |           | ZA2208F     |         |        |        |                                 |                                  |        |            |                        |       |         |         |                |        | 16.40  |       |        |       |           |        |        |       |        |       |        |        |        |       |       |        |        |       |       |       |
|                                      | 60.00          | ZAS2060MMF  |         |        |        |        |           | 234.95      |         |        |        |                                 |                                  |        |            |                        |       |         |         |                |        | 85.73  | 44.45 | 139.70 | 22.23 | ZA2060MMF | 234.95 | 85.73  | 44.45 | 139.70 | 22.23 | 69.85  | 180.98 | 88.90  | 13.00 | 44.45 | 90.50  | 73.81  | 22.23 | 7.70  |       |
| 65.00                                | ZAS2065MMF     |             |         |        |        |        | ZA2065MMF |             |         |        |        |                                 |                                  |        |            |                        |       |         |         |                |        | 7.50   |       |        |       |           |        |        |       |        |       |        |        |        |       |       |        |        |       |       |       |
| 9                                    | 2 11/16        | ZAS2211F    | 10 7/16 | 3 3/4  | 2 1/4  | 6 7/16 | 15/16     | ZA2211F     | 10 7/16 | 3 3/4  | 2 1/4  | 6 7/16                          | 15/16                            | 3 1/4  | 8 1/8      | 4                      | 5/8   | 1 7/8   | 4 1/16  | 3 3/8          | 13/16  | 28.00  |       |        |       |           |        |        |       |        |       |        |        |        |       |       |        |        |       |       |       |
|                                      | 2 3/4          | ZAS2212F    |         |        |        |        |           | ZA2212F     |         |        |        |                                 |                                  |        |            |                        |       |         |         |                |        | 27.80  |       |        |       |           |        |        |       |        |       |        |        |        |       |       |        |        |       |       |       |
|                                      | 2 15/16        | ZAS2215F    |         |        |        |        |           | ZA2215F     |         |        |        |                                 |                                  |        |            |                        |       |         |         |                |        | 26.80  |       |        |       |           |        |        |       |        |       |        |        |        |       |       |        |        |       |       |       |
|                                      | 3              | ZAS2300F    |         |        |        |        |           | ZA2300F     |         |        |        |                                 |                                  |        |            |                        |       |         |         |                |        | 26.50  |       |        |       |           |        |        |       |        |       |        |        |        |       |       |        |        |       |       |       |
|                                      | 70.00          | ZAS2070MMF  |         |        |        |        |           | 265.11      |         |        |        |                                 |                                  |        |            |                        |       |         |         |                |        | 95.25  | 57.15 | 163.51 | 25.40 | ZA2070MMF | 265.11 | 95.25  | 57.15 | 163.51 | 25.40 | 82.55  | 206.38 | 101.60 | 16.00 | 47.63 | 103.20 | 85.73  | 22.23 | 12.60 |       |
| 75.00                                | ZAS2075MMF     |             |         |        |        |        | ZA2075MMF |             |         |        |        |                                 |                                  |        |            |                        |       |         |         |                |        | 12.20  |       |        |       |           |        |        |       |        |       |        |        |        |       |       |        |        |       |       |       |
| 10                                   | 3 3/16         | ZAS2303F    | 13      | 4 1/8  | 2 1/4  | 7 1/2  | 1 1/2     | ZA2303F     | 13      | 4 1/8  | 2 1/4  | 7 1/2                           | 1 1/2                            | 3 3/4  | 10         | 4 3/8                  | 3/4   | 2       | 4 15/16 | 3 31/32        | 15/16  | 42.10  |       |        |       |           |        |        |       |        |       |        |        |        |       |       |        |        |       |       |       |
|                                      | 3 7/16         | ZAS2307F    |         |        |        |        |           | ZA2307F     |         |        |        |                                 |                                  |        |            |                        |       |         |         |                |        | 40.60  |       |        |       |           |        |        |       |        |       |        |        |        |       |       |        |        |       |       |       |
|                                      | 3 1/2          | ZAS2308F    |         |        |        |        |           | ZA2308F     |         |        |        |                                 |                                  |        |            |                        |       |         |         |                |        | 40.10  |       |        |       |           |        |        |       |        |       |        |        |        |       |       |        |        |       |       |       |
|                                      | 80.00          | ZAS2080MMF  |         |        |        |        |           |             |         |        |        |                                 |                                  |        |            |                        |       |         |         |                |        |        |       |        |       | ZA2080MMF |        |        |       |        |       |        |        |        |       |       |        |        |       |       | 19.10 |
|                                      | 85.00          | ZAS2085MMF  |         |        |        |        |           | 330.20      |         |        |        |                                 |                                  |        |            |                        |       |         |         |                |        | 104.78 | 57.15 | 190.50 | 38.10 | ZA2085MMF | 330.20 | 104.78 | 57.15 | 190.50 | 38.10 | 95.25  | 254.00 | 111.13 | 19.00 | 50.80 | 124.62 | 100.81 | 23.81 | 18.50 |       |
| 90.00                                | ZAS2090MMF     |             |         |        |        |        | ZA2090MMF |             |         |        |        |                                 |                                  |        |            |                        |       |         |         |                |        | 18.20  |       |        |       |           |        |        |       |        |       |        |        |        |       |       |        |        |       |       |       |
| 11                                   | 3 11/16        | ZAS2311F    | 15 1/4  | 4 1/2  | 2 5/8  | 8 5/8  | 1 1/4     | ZA2311F     | 15 1/4  | 4 1/2  | 2 5/8  | 8 1/2                           | 1 1/4                            | 4 1/4  | 12 1/2     | 5 1/16                 | 3/4   | 2 1/4   | 5 5/8   | 4 9/16         | 1 1/16 | 63.00  |       |        |       |           |        |        |       |        |       |        |        |        |       |       |        |        |       |       |       |
|                                      | 3 15/16        | ZAS2315F    |         |        |        |        |           | ZA2315F     |         |        |        |                                 |                                  |        |            |                        |       |         |         |                |        | 61.00  |       |        |       |           |        |        |       |        |       |        |        |        |       |       |        |        |       |       |       |
|                                      | 4              | ZAS2400F    |         |        |        |        |           | ZA2400F     |         |        |        |                                 |                                  |        |            |                        |       |         |         |                |        | 60.00  |       |        |       |           |        |        |       |        |       |        |        |        |       |       |        |        |       |       |       |
|                                      | 100.00         | ZAS2100MMF  |         |        |        |        |           | 387.35      |         |        |        |                                 |                                  |        |            |                        |       |         |         |                |        | 114.30 | 66.68 | 215.90 | 31.75 | ZA2100MMF | 387.35 | 114.30 | 66.68 | 215.90 | 31.75 | 107.95 | 317.50 | 128.59 | 19.00 | 57.15 | 142.90 | 115.89 | 26.19 | 27.70 |       |

**Additional Notes**

Please call 1-866-REXNORD for availability  
 Metric bore sizes available, see the Rex Interchangeability guide  
 Lubrication fitting tap size: 1/8" PT  
 Base to centerline tolerance, +/- .005 in (+/- 0.13 mm)  
 Bore size = nominal shaft size +.001 in / -.000 in (+0.03mm/-0.00mm)  
 Expansion - is 3/8" for all size codes  
 Seals - To specify K or M seal, replace "Z" in part number with "K" or "M"

Auxiliary end caps - available in all size codes except for size codes 2 & 3 and ZAS series  
 For the Selection Guide, Load Ratings and Speed Limits, see the Rex Spherical Roller Bearings Engineering section  
 Note: Dimensions subject to change. Certified dimensions of ordered material furnished on request.

## ZA3000, ZAS3000

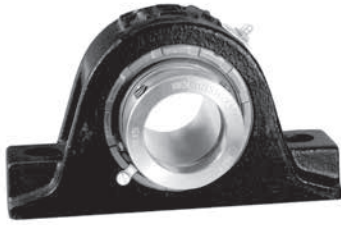
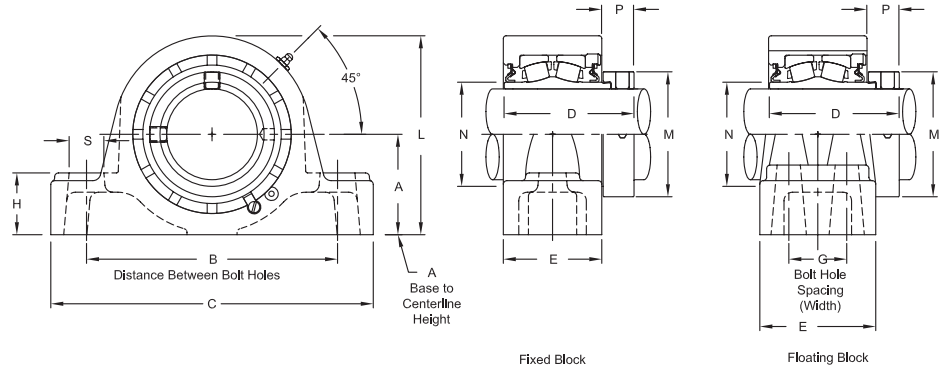


Photo Shows a 2-Bolt Spherical Roller Bearing Pillow Block Unit

### Product Features

- Corrosion-resistant powder coating
- Cast iron housing
- Misalignment capabilities - total of 4°
- Broad range of sealing options
- Factory set clearance & lubrication
- Precision ground & superfinished raceways
- Eccentric locking collar
- Field interchangeable seals
- Fixed or Expansion - total of 3/8" expansion
- See Features & Benefits for additional info.



### Bearing Dimensions

| Size Code                     | Shaft Diameter | Expansion   |         |         |       |        | Fixed  |             |         |         |        | A<br>Base to Centerline Height | B<br>Distance Between Bolt Holes | G<br>Bolt Hole Spacing (Width) | D      | F<br>Bolts | M       | N   | P       | Approx. Weight |        |       |
|-------------------------------|----------------|-------------|---------|---------|-------|--------|--------|-------------|---------|---------|--------|--------------------------------|----------------------------------|--------------------------------|--------|------------|---------|-----|---------|----------------|--------|-------|
|                               |                | Part Number | C       | E       | H     | L      | S      | Part Number | C       | E       | H      |                                |                                  |                                |        |            |         |     |         |                | L      | S     |
| <b>Two-Bolt Pillow Block</b>  |                |             |         |         |       |        |        |             |         |         |        |                                |                                  |                                |        |            |         |     |         |                |        |       |
| 4                             | 1 7/16         | ZAS3107     | 6 9/16  | 2 3/16  | 1     | 3 7/8  | 7/8    | ZA3107      | 6 9/16  | 2 1/4   | 1 3/16 | 3 11/16                        | 13/16                            | 1 7/8                          | 5      | -          | 2 59/64 | 1/2 | 2 5/16  | 1 3/4          | 25/32  | 7.20  |
| 5                             | 1 11/16        | ZAS3111     | 7 1/8   | 2 7/16  | 1 1/8 | 4 3/8  | 7/8    | ZA3111      | 7 1/8   | 2 1/2   | 1 5/16 | 4 1/4                          | 13/16                            | 2 1/8                          | 5 1/2  | -          | 3 3/16  | 1/2 | 2 5/8   | 2 1/32         | 3/4    | 9.70  |
| 6                             | 1 15/16        | ZAS3115     | 8 3/8   | 2 1/2   | 1 3/8 | 4 9/16 | 15/16  | ZA3115      | 8 1/8   | 2 1/2   | 1 3/8  | 4 9/16                         | 15/16                            | 2 1/4                          | 6 1/4  | -          | 3 9/32  | 5/8 | 2 3/4   | 2 5/16         | 27/32  | 11.10 |
| 7                             | 2 3/16         | ZAS3203     | 8 7/8   | 2 9/16  | 1 5/8 | 5      | 15/16  | ZA3203      | 8 5/8   | 2 9/16  | 1 5/8  | 5                              | 15/16                            | 2 1/2                          | 6 3/4  | -          | 3 1/2   | 5/8 | 3 1/4   | 2 5/8          | 31/32  | 13.80 |
| 8                             | 2 7/16         | ZAS3207     | 9 1/4   | 2 11/16 | 1 5/8 | 5 1/2  | 15/16  | ZA3207      | 9 1/8   | 2 11/16 | 1 5/8  | 5 1/2                          | 15/16                            | 2 3/4                          | 7 1/8  | -          | 3 21/32 | 5/8 | 3 9/16  | 2 29/32        | 1 1/64 | 16.50 |
|                               | 2 1/2          | ZA3208      |         |         |       |        |        |             |         |         |        |                                |                                  |                                |        |            |         |     |         |                |        |       |
| 9                             | 2 11/16        | ZAS3211     | 10 7/16 | 3 3/16  | 2     | 6 7/16 | 1 1/16 | ZA3211      | 10 7/16 | 3 3/16  | 2      | 6 7/16                         | 1 1/16                           | 3 1/4                          | 8 1/8  | -          | 4 13/64 | 3/4 | 4 1/16  | 3 3/8          | 1 1/64 | 27.70 |
|                               | 2 15/16        | ZAS3215     |         |         |       |        |        | 26.40       |         |         |        |                                |                                  |                                |        |            |         |     |         |                |        |       |
| 10                            | 3 7/16         | ZAS3307     | 13      | 3 7/16  | 2 1/4 | 7 1/2  | 1 5/8  | ZA3307      | 13      | 3 7/16  | 2 1/4  | 7 1/2                          | 1 5/8                            | 3 3/4                          | 10     | -          | 4 37/64 | 7/8 | 4 15/16 | 3 31/32        | 1 9/64 | 40.90 |
|                               | 3 1/2          | ZAS3308     |         |         |       |        |        | ZA3308      |         |         |        |                                |                                  |                                |        |            |         |     |         |                |        | 40.40 |
| 11                            | 3 15/16        | ZAS3315     | 14 1/4  | 4 1/8   | 2 1/8 | 8 1/2  | 1 3/4  | ZA3315      | 14 1/4  | 4 1/8   | 2 1/8  | 8 1/2                          | 1 3/4                            | 4 1/8                          | 10 7/8 | -          | 5 3/16  | 1   | 5 5/8   | 4 9/16         | 1 1/16 | 56.00 |
| <b>Four-Bolt Pillow Block</b> |                |             |         |         |       |        |        |             |         |         |        |                                |                                  |                                |        |            |         |     |         |                |        |       |
| 6                             | 1 15/16        | ZAS3115F    | 8 3/8   | 3 3/16  | 1 3/8 | 4 9/16 | 13/16  | ZA3115F     | 8 3/8   | 3 3/16  | 1 3/8  | 4 9/16                         | 13/16                            | 2 1/4                          | 6 1/4  | 1 19/32    | 3 9/32  | 1/2 | 2 3/4   | 2 5/16         | 27/32  | 13.40 |
| 7                             | 2 3/16         | ZAS3203F    | 8 7/8   | 3 1/4   | 1 5/8 | 5      | 13/16  | ZA3203F     | 8 7/8   | 3 1/4   | 1 5/8  | 5                              | 13/16                            | 2 1/2                          | 6 3/4  | 1 11/16    | 3 1/2   | 1/2 | 3 1/4   | 2 5/8          | 31/32  | 15.60 |
| 8                             | 2 7/16         | ZAS3207F    | 9 1/4   | 3 3/8   | 1 3/4 | 5 1/2  | 13/16  | ZA3207F     | 9 1/4   | 3 3/8   | 1 3/4  | 5 1/2                          | 13/16                            | 2 3/4                          | 7 1/8  | 1 3/4      | 3 21/32 | 1/2 | 3 9/16  | 2 29/32        | 1 1/64 | 16.80 |
|                               | 2 1/2          | ZA3208F     |         |         |       |        |        |             |         |         |        |                                |                                  |                                |        |            |         |     |         |                |        |       |
| 9                             | 2 11/16        | ZAS3211F    | 10 7/16 | 3 3/4   | 2 1/4 | 6 7/16 | 15/16  | ZA3211F     | 10 7/16 | 3 3/4   | 2 1/4  | 6 7/16                         | 15/16                            | 3 1/4                          | 8 1/8  | 1 7/8      | 4 13/64 | 5/8 | 4 1/16  | 3 3/8          | 1 1/64 | 28.40 |
|                               | 2 15/16        | ZAS3215F    |         |         |       |        |        | ZA3215F     |         |         |        |                                |                                  |                                |        |            |         |     |         |                |        | 27.20 |
| 10                            | 3 7/16         | ZAS3307F    | 13      | 4 1/8   | 2 1/4 | 7 1/2  | 1 1/2  | ZA3307F     | 13      | 4 1/8   | 2 1/4  | 7 1/2                          | 1 1/2                            | 3 3/4                          | 10     | 2          | 4 37/64 | 3/4 | 4 15/16 | 3 31/32        | 1 9/64 | 41.20 |
|                               | 3 1/2          | ZAS3308F    |         |         |       |        |        | ZA3308F     |         |         |        |                                |                                  |                                |        |            |         |     |         |                |        | 40.70 |
| 11                            | 3 15/16        | ZAS3315F    | 15 1/4  | 4 1/2   | 2 5/8 | 8 5/8  | 1 1/4  | ZA3315F     | 15 1/4  | 4 1/2   | 2 5/8  | 8 1/2                          | 1 1/4                            | 4 1/4                          | 12 1/2 | 2 1/4      | 5 3/16  | 3/4 | 5 5/8   | 4 9/16         | 1 1/16 | 61.00 |

### Additional Notes

- Please call 1-866-REXNORD for availability
- Lubrication fitting tap size 1/8" PT
- Base to centerline tolerance, +/- .005 in (+/- 0.13 mm)
- Bore size = nominal shaft size + .001 in / -.000 in (+0.03mm/-0.00mm)
- Expansion - is 3/8" for all size codes
- Seals - To specify K or M seal, replace "Z" in part number with "K" or "M"
- Auxiliary end caps - available in all size codes except ZAS series

For the Selection Guide, Load Ratings and Speed Limits, see the Rex Spherical Roller Bearings Engineering section  
 Note: Dimensions subject to change. Certified dimensions of ordered material furnished on request.

# ZA5000, ZAS5000

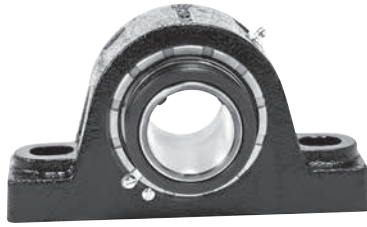
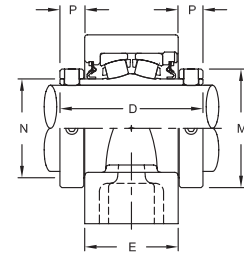
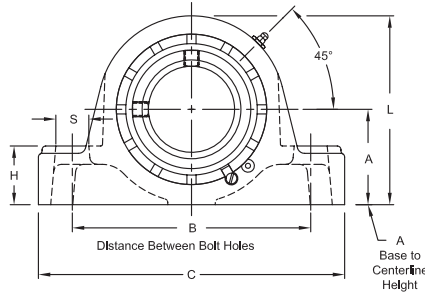


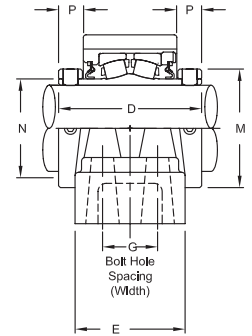
Photo Shows a 2-Bolt Spherical Roller Bearing Pillow Block Unit

## Product Features

- Corrosion-resistant powder coating
- Cast iron housing
- Misalignment capabilities - total of 4°
- Broad range of sealing options
- Factory set clearance & lubrication
- Precision ground & superfinished raceways
- Two hardened spring locking collars
- Field interchangeable seals
- Fixed or Expansion - total of 3/8" expansion
- See Features & Benefits for additional info.



Fixed Block



Floating Block

## Bearing Dimensions

| Size Code                    | Shaft Diameter | Expansion   |         |         |        |        | Fixed    |             |         |         |        | A<br>Base to Centerline Height | B<br>Distance Between Bolt Holes | D      | F      | G<br>Bolt Hole Spacing (Width) | M     | N      | P       | Approx. Weight |        |       |
|------------------------------|----------------|-------------|---------|---------|--------|--------|----------|-------------|---------|---------|--------|--------------------------------|----------------------------------|--------|--------|--------------------------------|-------|--------|---------|----------------|--------|-------|
|                              |                | Part Number | C       | E       | H      | L      | S        | Part Number | C       | E       | H      |                                |                                  |        |        |                                |       |        |         |                | L      | S     |
| <b>Two-Bolt Pillow Block</b> |                |             |         |         |        |        |          |             |         |         |        |                                |                                  |        |        |                                |       |        |         |                |        |       |
| 4                            | 1 7/16         | ZAS5107     | 6 9/16  | 2 1/4   | 1 3/16 | 3 7/8  | 7/8      | ZA5107      | 6 9/16  | 2 3/16  | 1      | 3 7/8                          | 7/8                              | 1 7/8  | 5      | 3 9/16                         | 1/2   | -      | 2 5/16  | 1 3/4          | 11/16  | 7.50  |
|                              | 35.00          | ZAS5035MM   | 166.96  | 55.56   | 25.40  | 98.42  | 22.23    | ZA5035MM    | 166.96  | 55.56   | 30.16  | 93.66                          | 20.64                            | 47.63  | 127.00 | 90.49                          | 13.00 | -      | 58.74   | 44.45          | 17.46  | 3.40  |
| 5                            | 1 1/2          | ZAS5108     | 7 1/8   | 2 1/2   | 1 5/16 | 4 3/8  | 7/8      | ZA5108      | 7 1/8   | 2 7/16  | 1 1/8  | 4 3/8                          | 7/8                              | 2 1/8  | 5 1/2  | 3 13/16                        | 1/2   | -      | 2 19/32 | 2 1/32         | 11/16  | 10.50 |
|                              | 1 11/16        | ZAS5111     |         |         |        |        |          | ZA5111      |         |         |        |                                |                                  |        |        |                                |       |        |         |                |        | 10.10 |
|                              | 40.00          | ZAS5040MM   | 180.98  | 63.5    | 28.58  | 111.13 | 22.23    | ZA5040MM    | 180.98  | 63.50   | 33.34  | 107.95                         | 20.64                            | 53.98  | 139.70 | 96.84                          | 13.00 | -      | 65.88   | 51.59          | 17.46  | 4.70  |
|                              | 45.00          | ZAS5045MM   | 180.98  | 63.50   | 34.93  | 115.89 | 25.40    | ZA5045MM    | 180.98  | 63.50   | 34.93  | 115.89                         | 25.40                            | 53.98  | 139.70 | 96.84                          | 13.00 | -      | 65.88   | 51.59          | 17.46  | 4.60  |
| 6                            | 1 15/16        | ZAS5115     | 8 3/8   | 2 1/2   | 1 3/8  | 4 9/16 | 1        | ZA5115      | 8 3/8   | 2 1/2   | 1 3/8  | 4 9/16                         | 1                                | 2 1/4  | 6 1/4  | 3 13/16                        | 5/8   | -      | 2 7/8   | 2 5/16         | 11/16  | 11.50 |
|                              | 50.00          | ZAS5050MM   | 212.73  | 63.50   | 34.93  | 115.89 | 25.40    | ZA5050MM    | 206.37  | 63.50   | 34.93  | 115.89                         | 25.40                            | 25.40  | 158.75 | 96.84                          | 16.00 | -      | 73.03   | 66.68          | 25.40  | 5.20  |
| 7                            | 2              | ZAS5200     | 8 5/8   | 2 9/16  | 1 5/8  | 5      | 1        | ZA5200      | 8 5/8   | 2 9/16  | 1 5/8  | 5                              | 1                                | 2 1/2  | 6 3/4  | 4 1/8                          | 5/8   | -      | 3 1/4   | 2 5/8          | 13/16  | 15.20 |
|                              | 2 3/16         | ZAS5203     |         |         |        |        |          | ZA5203      |         |         |        |                                |                                  |        |        |                                |       |        |         |                |        | 15.80 |
|                              | 55.00          | ZAS5055MM   | 225.43  | 65.09   | 41.28  | 127.00 | 25.40    | ZA5055MM    | 219.08  | 65.09   | 41.28  | 127.00                         | 25.40                            | 63.50  | 171.45 | 104.78                         | 16.00 | -      | 82.60   | 66.68          | 20.64  | 7.20  |
| 8                            | 2 7/16         | ZAS5207     | 9 1/8   | 2 11/16 | 1 5/8  | 5 1/2  | 1        | ZA5207      | 9 1/8   | 2 11/16 | 1 5/8  | 5 1/2                          | 1                                | 2 3/4  | 7 1/8  | 4 3/8                          | 5/8   | -      | 3 9/16  | 2 29/32        | 7/8    | 17.10 |
|                              | 60.00          | ZAS5060MM   |         |         |        |        |          | ZA5060MM    |         |         |        |                                |                                  |        |        |                                |       |        |         |                |        | 7.80  |
|                              | 65.00          | ZAS5065MM   | 234.95  | 68.26   | 41.28  | 139.70 | 25.40    | ZA5065MM    | 231.78  | 68.26   | 41.28  | 139.70                         | 25.40                            | 69.85  | 180.98 | 111.13                         | 16.00 | -      | 90.50   | 73.81          | 22.23  | 7.50  |
|                              | 2 1/2          | ZAS5208     | 10 7/16 | 3 3/16  | 2      | 6 7/16 | 1 1/8    | ZA5208      | 10 7/16 | 3 3/16  | 2      | 6 7/16                         | 1 1/8                            | 3 1/4  | 8 1/8  | 4 7/8                          | 3/4   | -      | 4 1/16  | 3 3/8          | 7/8    | 30.00 |
| 2 11/16                      | ZAS5211        | ZA5211      |         |         |        |        |          | 29.00       |         |         |        |                                |                                  |        |        |                                |       |        |         |                |        |       |
| 2 15/16                      | ZAS5215        | ZA5215      |         |         |        |        |          | 28.50       |         |         |        |                                |                                  |        |        |                                |       |        |         |                |        |       |
| 70.00                        | ZAS5070MM      | 265.11      | 80.96   | 50.80   | 163.51 | 28.58  | ZA5070MM | 265.11      | 80.96   | 50.80   | 163.51 | 28.58                          | 82.55                            | 206.38 | 134.94 | 19.00                          | -     | 103.20 | 85.73   | 22.23          | 13.10  |       |
| 75.00                        | ZAS5075MM      |             |         |         |        |        | ZA5075MM |             |         |         |        |                                |                                  |        |        |                                |       |        |         |                | 12.90  |       |
| 10                           | 3 3/16         | ZAS5303     | 13      | 3 7/16  | 2 1/4  | 7 1/2  | 1 5/8    | ZA5303      | 13      | 3 7/16  | 2 1/4  | 7 1/2                          | 1 5/8                            | 3 3/4  | 10     | 5 5/16                         | 7/8   | -      | 4 29/32 | 3 31/32        | 15/16  | 44.40 |
|                              | 3 7/16         | ZAS5307     |         |         |        |        |          | ZA5307      |         |         |        |                                |                                  |        |        |                                |       |        |         |                |        | 42.50 |
|                              | 80.00          | ZAS5080MM   | 330.20  | 87.31   | 57.15  | 190.50 | 41.28    | ZA5080MM    | 330.2   | 87.31   | 57.15  | 190.50                         | 41.28                            | 95.25  | 254.00 | 134.94                         | 22.00 | -      | 124.62  | 100.81         | 23.81  | 20.10 |
|                              | 85.00          | ZAS5085MM   |         |         |        |        |          | ZA5085MM    |         |         |        |                                |                                  |        |        |                                |       |        |         |                |        | 19.90 |
| 90.00                        | ZAS5090MM      | ZA5090MM    |         |         |        |        |          | 19.70       |         |         |        |                                |                                  |        |        |                                |       |        |         |                |        |       |
| 11                           | 3 11/16        | ZAS5311     | 14 1/4  | 4 1/8   | 2 1/8  | 8 1/2  | 1 3/4    | ZA5311      | 14 1/4  | 4 1/8   | 2 1/8  | 8 1/2                          | 1 3/4                            | 4 1/8  | 10 7/8 | 6 1/8                          | 1     | -      | 5 5/8   | 4 9/16         | 1 1/32 | 60.50 |
|                              | 3 15/16        | ZAS5315     |         |         |        |        |          | ZA5315      |         |         |        |                                |                                  |        |        |                                |       |        |         |                |        | 59.50 |
|                              | 4              | ZAS5400     | 361.95  | 104.78  | 53.98  | 215.90 | 44.45    | ZA5400      | 361.95  | 104.78  | 53.98  | 215.90                         | 44.45                            | 104.78 | 276.23 | 155.58                         | 25.00 | -      | 142.90  | 115.89         | 26.19  | 58.50 |
|                              | 100.00         | ZAS5100MM   |         |         |        |        |          | ZA5100MM    |         |         |        |                                |                                  |        |        |                                |       |        |         |                |        | 26.50 |

Continued...

Continued...

**Bearing Dimensions**

| Size Code                     | Shaft Diameter | Expansion   |         |        |       |        | Fixed |             |         |        |       | A<br>Base to<br>Center-<br>line<br>Height | B<br>Distance<br>Between<br>Bolt<br>Holes | D      | F      | G<br>Bolt Hole<br>Spacing<br>(Width) | M     | N       | P       | Approx.<br>Weight |        |       |
|-------------------------------|----------------|-------------|---------|--------|-------|--------|-------|-------------|---------|--------|-------|---|---|--------|--------|--------------------------------------|-------|---------|---------|-------------------|--------|-------|
|                               |                | Part Number | C       | E      | H     | L      | S     | Part Number | C       | E      | H     |   |   |        |        |                                      |       |         |         |                   | L      | S     |
| <b>Four-Bolt Pillow Block</b> |                |             |         |        |       |        |       |             |         |        |       |   |   |        |        |                                      |       |         |         |                   |        |       |
| 6                             | 1 15/16        | ZAS5115F    | 8 3/8   | 3 3/16 | 1 3/8 | 4 9/16 | 7/8   | ZA5115F     | 8 3/8   | 3 3/16 | 1 3/8 | 4 9/16                                    | 7/8                                       | 2 1/4  | 6 1/4  | 3 13/16                              | 1/2   | 1 19/32 | 2 7/8   | 2 5/16            | 1 1/16 | 13.80 |
|                               | 45.00          | ZAS5050MMF  | 212.73  | 80.96  | 34.93 | 115.89 | 22.23 | ZA5050MMF   | 212.73  | 80.96  | 34.93 | 115.89                                    | 22.23                                     | 57.15  | 158.75 | 96.84                                | 13.00 | 40.89   | 73.03   | 58.74             | 22.23  | 6.30  |
| 7                             | 2              | ZAS5200F    | 8 7/8   | 3 1/4  | 1 5/8 | 5      | 7/8   | ZA5200F     | 8 7/8   | 3 1/4  | 1 5/8 | 5   | 7/8                                       | 2 1/2  | 6 3/4  | 4 1/8                                | 1/2   | 1 11/16 | 3 1/4   | 2 5/8             | 1 3/16 | 17.00 |
|                               | 2 3/16         | ZAS5203F    |         |        |       |        |       | ZA5203F     |         |        |       |   |   |        |        |                                      |       |         |         |                   |        | 17.60 |
|                               | 55.00          | ZAS5055MMF  | 225.43  | 82.55  | 41.28 | 127.00 | 22.23 | ZA5055MMF   | 225.43  | 82.55  | 41.28 | 127.00                                    | 22.23                                     | 63.50  | 171.45 | 104.78                               | 13.00 | 42.86   | 82.60   | 66.68             | 22.23  | 8.00  |
| 8                             | 2 7/16         | ZAS5207F    | 9 1/4   | 3 3/8  | 1 3/4 | 5 1/2  | 7/8   | ZA5207F     | 9 1/4   | 3 3/8  | 1 3/4 | 5 1/2                                     | 7/8                                       | 2 3/4  | 7 1/8  | 4 3/8                                | 1/2   | 1 3/4   | 3 9/16  | 2 29/32           | 7/8    | 17.90 |
|                               | 60.00          | ZAS5060MMF  |         |        |       |        |       | ZA5060MMF   |         |        |       |   |   | 69.85  | 180.98 | 111.13                               | 13.00 | 44.45   | 90.50   | 73.81             | 22.23  | 8.10  |
|                               | 65.00          | ZAS5065MMF  | 234.95  | 85.73  | 44.45 | 139.70 | 22.23 | ZA5065MMF   | 234.95  | 85.73  | 44.45 | 139.70                                    | 22.23                                     | 69.85  | 180.98 | 111.13                               | 13.00 | 44.45   | 90.50   | 73.81             | 22.23  | 7.80  |
| 9                             | 2 1/2          | ZAS5208F    |         |        |       |        |       | ZA5208F     |         |        |       |   |   |        |        |                                      |       |         |         |                   |        | 30.70 |
|                               | 2 11/16        | ZAS5211F    | 10 7/16 | 3 3/4  | 2 1/4 | 6 7/16 | 1     | ZA5211F     | 10 7/16 | 3 3/4  | 2 1/4 | 6 7/16                                    | 1   | 3 1/4  | 8 1/8  | 4 7/8                                | 5/8   | 1 7/8   | 4 1/16  | 3 3/8             | 7/8    | 29.70 |
|                               | 2 15/16        | ZAS5215F    |         |        |       |        |       | ZA5215F     |         |        |       |   |   |        |        |                                      |       |         |         |                   |        | 29.20 |
|                               | 70.00          | ZAS5070MMF  | 265.11  | 95.25  | 57.15 | 163.51 | 25.40 | ZA5070MMF   | 265.11  | 95.25  | 57.15 | 163.51                                    | 25.40                                     | 82.55  | 206.38 | 123.83                               | 16.00 | 47.63   | 103.20  | 85.73             | 22.23  | 13.50 |
|                               | 75.00          | ZAS5075MMF  |         |        |       |        |       | ZA5075MMF   |         |        |       |   |   |        |        |                                      |       |         |         |                   |        | 13.20 |
| 10                            | 3 3/16         | ZAS5303F    |         |        |       |        |       | ZA5303F     |         |        |       |   |   |        |        |                                      |       |         |         |                   |        | 44.70 |
|                               | 3 7/16         | ZAS5307F    | 13      | 4 1/8  | 2 1/4 | 7 1/2  | 1 1/2 | ZA5307F     | 13      | 4 1/8  | 2 1/4 | 7 1/2                                     | 1 1/2                                     | 3 3/4  | 10     | 5 5/16                               | 3/4   | 2       | 4 29/32 | 3 31/32           | 15/16  | 42.80 |
|                               | 80.00          | ZAS5080MMF  |         |        |       |        |       | ZA5080MMF   |         |        |       |   |   |        |        |                                      |       |         |         |                   |        | 20.30 |
|                               | 85.00          | ZAS5085MMF  | 330.20  | 104.78 | 57.15 | 190.50 | 38.10 | ZA5085MMF   | 330.20  | 104.78 | 57.15 | 190.50                                    | 38.10                                     | 95.25  | 254.00 | 134.94                               | 19.00 | 50.80   | 124.62  | 100.81            | 23.81  | 20.10 |
|                               | 90.00          | ZAS5090MMF  |         |        |       |        |       | ZA5090MMF   |         |        |       |   |   |        |        |                                      |       |         |         |                   |        | 19.90 |
| 11                            | 3 11/16        | ZAS5311F    |         |        |       |        |       | ZA5311F     |         |        |       |   |   |        |        |                                      |       |         |         |                   |        | 65.50 |
|                               | 3 15/16        | ZAS5315F    | 15 1/4  | 4 1/2  | 2 5/8 | 8 1/2  | 1 1/4 | ZA5315F     | 15 1/4  | 4 1/2  | 2 5/8 | 8 1/2                                     | 1 1/4                                     | 4 1/4  | 12 1/2 | 6 1/8                                | 3/4   | 2 1/4   | 5 5/8   | 4 9/16            | 1 1/32 | 64.50 |
|                               | 4              | ZAS5400F    |         |        |       |        |       | ZA5400F     |         |        |       |   |   |        |        |                                      |       |         |         |                   |        | 63.50 |
|                               | 100.00         | ZAS5100MMF  | 387.35  | 114.30 | 66.68 | 215.90 | 31.75 | ZA5100MMF   | 387.35  | 114.30 | 66.68 | 215.90                                    | 31.75                                     | 107.95 | 317.50 | 155.58                               | 19.00 | 57.15   | 142.90  | 115.89            | 26.19  | 28.80 |

**Additional Notes**

Please call 1-866-REXNORD for availability  
 Metric bore sizes available, see the Rex Interchangeability guide  
 Lubrication fitting tap size 1/8" PT  
 Base to centerline tolerance, +/- .005 in (+/- 0.13 mm)  
 Bore size = nominal shaft size +.001 in/- .000 in (+0.03mm/-0.00mm)  
 Expansion - is 3/8" for all size codes  
 Seals - To specify K or M seal, replace "Z" in part number with "K" or "M"

Auxiliary end caps - available in all size codes except ZAS series  
 For the Selection Guide, Load Ratings and Speed Limits, see the Rex Spherical Roller Bearings Engineering section  
 Note: Dimensions subject to change. Certified dimensions of ordered material furnished on request.



# ZA6000, ZAS6000

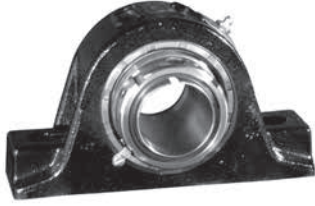
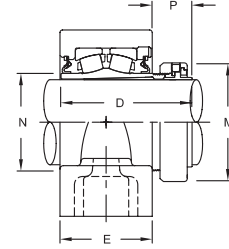
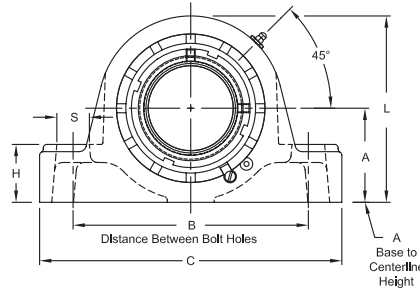


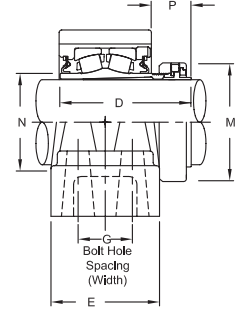
Photo Shows a 2-Bolt Spherical Roller Bearing Pillow Block Unit

## Product Features

- Spyglass™ Optical Strain Sensor (OSS) Technology
- Positive locking system
- Tapered adapter sleeve
- Corrosion-resistant powder coating
- Cast iron housing
- Misalignment capabilities - total of 4°
- Broad range of sealing options
- Factory set clearance & lubrication
- Precision ground & superfinished raceways
- See Features & Benefits for additional info.



Fixed Block



Floating Block

## Bearing Dimensions

| Size Code                     | Shaft Diameter | Expansion   |         |         |        |        | Fixed     |             |          |         |        | A<br>Base to Centerline Height | B<br>Distance Between Bolt Holes | G<br>Bolt Hole Spacing (Width) | D      | F<br>Bolts | M       | N       | P       | Approx. Weight |          |          |
|-------------------------------|----------------|-------------|---------|---------|--------|--------|-----------|-------------|----------|---------|--------|--------------------------------|----------------------------------|--------------------------------|--------|------------|---------|---------|---------|----------------|----------|----------|
|                               |                | Part Number | C       | E       | H      | L      | S         | Part Number | C        | E       | H      |                                |                                  |                                |        |            |         |         |         |                | L        | S        |
| <b>Two-Bolt Pillow Block</b>  |                |             |         |         |        |        |           |             |          |         |        |                                |                                  |                                |        |            |         |         |         |                |          |          |
| 4                             | 1 7/16         | ZAS6107     | 6 9/16  | 2 3/16  | 1      | 3 7/8  | 7/8       | ZA6107      | 6 9/16   | 2 1/4   | 1 3/16 | 3 11/16                        | 13/16                            | 1 7/8                          | 5      | -          | 3 21/64 | 1/2     | 2 25/64 | 1 3/4          | 1 9/64   | 6.10 lb  |
| 5                             | 1 11/16        | ZAS6111     | 7 1/8   | 2 3/16  | 1 1/8  | 4 3/8  | 7/8       | ZA6111      | 7 1/8    | 2 1/2   | 1 5/16 | 4 1/4                          | 13/16                            | 2 1/8                          | 5 1/2  | -          | 3 47/64 | 1/2     | 2 41/64 | 2 1/32         | 1 9/32   | 9.50 lb  |
| 6                             | 1 15/16        | ZAS6115     | 8 3/8   | 2 1/2   | 1 3/8  | 4 9/16 | 1         | ZA6115      | 8 1/8    | 2 1/2   | 1 3/8  | 4 9/16                         | 15/16                            | 2 1/4                          | 6 1/4  | -          | 3 41/64 | 5/8     | 2 55/64 | 2 5/16         | 1 1/8    | 10.90 lb |
|                               | 45.00          | ZAS6045MM   | 212.73  | 63.50   | 34.93  | 115.89 | 25.40     | ZA6045MM    | 212.73   | 63.50   | 34.93  | 115.89                         | 25.40                            | 57.15                          | 158.75 | -          | 92.47   | 16.00   | 72.63   | 58.74          | 28.58    | 5.20 kg  |
| 7                             | 2 3/16         | ZAS6203     | 8 5/8   | 2 9/16  | 1 5/8  | 5      | 1         | ZA6203      | 8 5/8    | 2 9/16  | 1 5/8  | 5                              | 1                                | 2 1/2                          | 6 3/4  | -          | 3 11/16 | 5/8     | 3 15/64 | 2 5/8          | 1 5/32   | 12.90 lb |
|                               | 55.00          | ZAS6055MM   | 225.43  | 65.09   | 41.28  | 127.00 | 25.40     | ZA6055MM    | 225.43   | 65.09   | 41.28  | 127.00                         | 25.40                            | 63.50                          | 171.45 | -          | 93.66   | 16.00   | 82.15   | 66.68          | 29.37    | 7.20 kg  |
| 8                             | 2 3/8          | ZAS6206     | 9 1/8   | 2 11/16 | 1 5/8  | 5 1/2  | 1         | ZA6206      | 9 1/8    | 2 11/16 | 1 5/8  | 5 1/2                          | 1                                | 2 3/4                          | 7 1/8  | -          | 4 1/16  | 5/8     | 3 19/32 | 2 29/32        | 1 27/64  | 16.10 lb |
|                               | 2 7/16         | ZAS6207     |         |         |        |        |           | ZA6207      |          |         |        |                                |                                  |                                |        |            |         |         |         |                |          | 16.30 lb |
| 8                             | 60.00          | ZAS6060MM   | 231.78  | 68.26   | 41.28  | 139.70 | 25.40     | ZA6060MM    | 231.78   | 68.26   | 41.28  | 139.70                         | 25.40                            | 69.85                          | 180.98 | -          | 103.19  | 16.00   | 91.28   | 73.81          | 36.12    | 7.80 kg  |
|                               | 9              | 2 11/16     | ZAS6211 | 10 7/16 | 3 3/16 | 2      | 6 7/16    | 1 1/8       | ZA6211   | 10 7/16 | 3 3/16 | 2                              | 6 7/16                           | 1 1/8                          | 3 1/4  | 8 1/8      | -       | 4 17/32 | 3/4     | 4 3/32         | 3 3/8    | 1 25/64  |
| 2 3/4                         |                | ZAS6212     | ZA6212  |         |        |        |           |             | 26.90 lb |         |        |                                |                                  |                                |        |            |         |         |         |                |          |          |
| 9                             | 2 15/16        | ZAS6215     | 165.11  | 80.96   | 50.80  | 163.51 | 28.58     | ZA6215      | 165.11   | 80.96   | 50.80  | 163.51                         | 28.58                            | 82.55                          | 206.38 | -          | 115.09  | 19.00   | 103.98  | 85.73          | 35.32    | 26.00 lb |
|                               | 70.00          | ZAS6070MM   |         |         |        |        |           | ZA6070MM    |          |         |        |                                |                                  |                                |        |            |         |         |         |                |          | 13.10 kg |
| 9                             | 75.00          | ZAS6075MM   | 216.51  | 65.09   | 41.28  | 127.00 | 25.40     | ZA6075MM    | 216.51   | 65.09   | 41.28  | 127.00                         | 25.40                            | 82.55                          | 206.38 | -          | 115.09  | 19.00   | 103.98  | 85.73          | 35.32    | 12.90 kg |
|                               | 10             | 3 3/16      | ZAS6303 | 13      | 3 7/16 | 2 1/4  | 7 1/2     | 1 5/8       | ZA6303   | 13      | 3 7/16 | 2 1/4                          | 7 1/2                            | 1 5/8                          | 3 3/4  | 10         | -       | 5 1/32  | 7/8     | 4 61/64        | 3 31/32  | 1 19/32  |
| 3 7/16                        |                | ZAS6307     | ZA6307  |         |        |        |           |             | 40.30 lb |         |        |                                |                                  |                                |        |            |         |         |         |                |          |          |
| 10                            | 80.00          | ZAS6080MM   | 330.20  | 87.31   | 57.15  | 190.50 | 41.28     | ZA6080MM    | 330.2    | 87.31   | 57.15  | 190.50                         | 41.28                            | 95.25                          | 254.00 | -          | 127.79  | 22.00   | 125.81  | 100.81         | 40.48    | 20.10 kg |
|                               | 85.00          | ZAS6085MM   | 231.78  | 68.26   | 41.28  | 139.70 | 25.40     | ZA6085MM    | 231.78   | 68.26   | 41.28  | 139.70                         | 25.40                            | 95.25                          | 254.00 | -          | 127.79  | 22.00   | 125.81  | 100.81         | 40.48    | 19.90 kg |
| 11                            | 3 11/16        | ZAS6311     | 14 1/4  | 4 1/8   | 2 1/8  | 8 1/2  | 1 3/4     | ZA6311      | 14 1/4   | 4 1/8   | 2 1/8  | 8 1/2                          | 1 3/4                            | 4 1/8                          | 10 7/8 | -          | 5 31/32 | 1       | 5 43/64 | 4 9/16         | 1 47/64  | 58.00 lb |
|                               | 3 15/16        | ZAS6315     |         |         |        |        |           | ZA6315      |          |         |        |                                |                                  |                                |        |            |         |         |         |                |          | 56.00 lb |
| 100.00                        | ZAS6100MM      | 361.95      | 104.78  | 53.98   | 215.90 | 44.45  | ZA6100MM  | 361.95      | 104.78   | 53.98   | 215.90 | 44.45                          | 104.78                           | 276.23                         | -      | 146.84     | 25.00   | 144.07  | 115.89  | 44.05          | 26.50 kg |          |
| <b>Four-Bolt Pillow Block</b> |                |             |         |         |        |        |           |             |          |         |        |                                |                                  |                                |        |            |         |         |         |                |          |          |
| 6                             | 1 15/16        | ZAS6115F    | 8 3/8   | 3 3/16  | 1 3/8  | 4 9/16 | 7/8       | ZA6115F     | 8 3/8    | 3 3/16  | 1 3/8  | 4 9/16                         | 7/8                              | 2 1/4                          | 6 1/4  | 1 19/32    | 3 41/64 | 1/2     | 2 55/64 | 2 5/16         | 1 1/8    | 11.70 lb |
|                               | 45.00          | ZAS6045MMF  | 212.73  | 80.96   | 34.93  | 115.89 | 22.23     | ZA6045MMF   | 212.73   | 80.96   | 34.93  | 115.89                         | 22.23                            | 57.15                          | 158.75 | 40.89      | 92.47   | 13.00   | 72.63   | 58.74          | 28.58    | 6.30 kg  |
| 7                             | 2 3/16         | ZAS6203F    | 8 7/8   | 3 1/4   | 1 5/8  | 5      | 7/8       | ZA6203F     | 8 7/8    | 3 1/4   | 1 5/8  | 5                              | 7/8                              | 2 1/2                          | 6 3/4  | 1 11/16    | 3 11/16 | 1/2     | 3 15/64 | 2 5/8          | 1 5/32   | 15.30 lb |
|                               | 55.00          | ZAS6055MMF  | 225.43  | 82.55   | 41.28  | 127.00 | 22.23     | ZA6055MMF   | 225.43   | 82.55   | 41.28  | 127.00                         | 22.23                            | 63.50                          | 171.45 | 42.86      | 93.66   | 13.00   | 82.15   | 66.68          | 29.37    | 8.00 kg  |
| 8                             | 2 3/8          | ZAS6206F    | 9 1/4   | 3 3/8   | 1 3/4  | 5 1/2  | 7/8       | ZA6206F     | 9 1/4    | 3 3/8   | 1 3/4  | 5 1/2                          | 7/8                              | 2 3/4                          | 7 1/8  | 1 3/4      | 4 1/16  | 1/2     | 3 19/32 | 2 29/32        | 1 27/64  | 16.90 lb |
|                               | 2 7/16         | ZAS6207F    |         |         |        |        |           | ZA6207F     |          |         |        |                                |                                  |                                |        |            |         |         |         |                |          | 16.60 lb |
| 8                             | 60.00          | ZAS6060MMF  | 234.95  | 85.73   | 44.45  | 139.70 | 22.23     | ZA6060MMF   | 234.95   | 85.73   | 44.45  | 139.70                         | 22.23                            | 69.85                          | 180.98 | 44.45      | 103.19  | 13.00   | 91.28   | 73.81          | 36.12    | 8.10 kg  |
| 9                             | 2 11/16        | ZAS6211F    | 10 7/16 | 3 3/4   | 2 1/4  | 6 7/16 | 1         | ZA6211F     | 10 7/16  | 3 3/4   | 2 1/4  | 6 7/16                         | 1                                | 3 1/4                          | 8 1/8  | 1 7/8      | 4 17/32 | 5/8     | 4 3/32  | 3 3/8          | 1 25/64  | 28.00 lb |
|                               | 2 3/4          | ZAS6212F    |         |         |        |        |           | ZA6212F     |          |         |        |                                |                                  |                                |        |            |         |         |         |                |          | 26.80 lb |
| 9                             | 2 15/16        | ZAS6215F    | 165.11  | 95.25   | 57.15  | 163.51 | 25.40     | ZA6215F     | 165.11   | 95.25   | 57.15  | 163.51                         | 25.40                            | 82.55                          | 206.38 | 47.63      | 115.09  | 16.00   | 103.98  | 85.73          | 35.32    | 13.50 kg |
|                               | 70.00          | ZAS6070MMF  |         |         |        |        |           | ZA6070MMF   |          |         |        |                                |                                  |                                |        |            |         |         |         |                |          | 13.20 kg |
| 75.00                         | ZAS6075MMF     | 216.51      | 65.09   | 41.28   | 127.00 | 25.40  | ZA6075MMF | 216.51      | 65.09    | 41.28   | 127.00 | 25.40                          | 82.55                            | 206.38                         | 47.63  | 115.09     | 16.00   | 103.98  | 85.73   | 35.32          | 13.20 kg |          |

Continued...

Continued...

**Bearing Dimensions**

| Size Code                     | Shaft Diameter                  | Expansion   |        |        |       |        | Fixed |             |        |        |       | A Base to Center-line Height | B Distance Between Bolt Holes | G Bolt Hole Spacing (Width) | D      | F Bolts | M      | N     | P       | Approx. Weight |         |                      |
|-------------------------------|---------------------------------|-------------|--------|--------|-------|--------|-------|-------------|--------|--------|-------|------------------------------|-------------------------------|-----------------------------|--------|---------|--------|-------|---------|----------------|---------|----------------------|
|                               |                                 | Part Number | C      | E      | H     | L      | S     | Part Number | C      | E      | H     |                              |                               |                             |        |         |        |       |         |                | L       | S                    |
| <b>Four-Bolt Pillow Block</b> |                                 |             |        |        |       |        |       |             |        |        |       |                              |                               |                             |        |         |        |       |         |                |         |                      |
| 10                            | 3 <sup>3</sup> / <sub>16</sub>  | ZAS6303F    | 13     | 4 1/8  | 2 1/4 | 7 1/2  | 1 1/2 | ZA6303F     | 13     | 4 1/8  | 2 1/4 | 7 1/2                        | 1 1/2                         | 3 3/4                       | 10     | 5 1/32  | 3/4    | 2     | 4 61/64 | 3 31/32        | 1 19/32 | 42.10 lb<br>40.60 lb |
|                               | 3 <sup>7</sup> / <sub>16</sub>  | ZAS6307F    |        |        |       |        |       | ZA6307F     |        |        |       |                              |                               |                             |        |         |        |       |         |                |         | 20.30 kg<br>20.10 kg |
|                               | 80.00                           | ZAS6080MMF  | 330.20 | 104.78 | 57.15 | 190.50 | 38.10 | ZA6080MMF   | 330.20 | 104.78 | 57.15 | 190.50                       | 38.10                         | 95.25                       | 254.00 | 50.80   | 127.79 | 19.00 | 125.81  | 100.81         | 40.48   | 20.10 kg             |
|                               | 85.00                           | ZAS6085MMF  |        |        |       |        |       | ZA6085MMF   |        |        |       |                              |                               |                             |        |         |        |       |         |                |         |                      |
| 11                            | 3 <sup>11</sup> / <sub>16</sub> | ZAS6311F    | 15 1/4 | 4 1/2  | 2 5/8 | 8 1/2  | 1 1/4 | ZA6311F     | 15 1/4 | 4 1/2  | 2 5/8 | 8 1/2                        | 1 1/4                         | 4 1/4                       | 12 1/2 | 5 31/32 | 3/4    | 2 1/4 | 5 43/64 | 4 9/16         | 1 47/64 | 63.00 lb<br>61.00 lb |
|                               | 3 <sup>15</sup> / <sub>16</sub> | ZAS6315F    |        |        |       |        |       | ZA6315F     |        |        |       |                              |                               |                             |        |         |        |       |         |                |         | 61.00 lb             |
|                               | 100.00                          | ZAS6100MMF  | 387.35 | 114.30 | 66.68 | 215.90 | 31.75 | ZA6100MMF   | 387.35 | 114.30 | 66.68 | 215.90                       | 31.75                         | 107.95                      | 317.50 | 57.15   | 146.84 | 19.00 | 144.07  | 115.89         | 44.05   | 28.80 kg             |
|                               |                                 |             |        |        |       |        |       |             |        |        |       |                              |                               |                             |        |         |        |       |         |                |         |                      |

**Additional Notes**

Please call 1-866-REXNORD for availability  
 Metric bore sizes available, see the Rex Interchangeability guide  
 Lubrication fitting tap size: for fixed units 1/8" PT  
 Base to centerline tolerance, +/- .005 in (+/- 0.13 mm)  
 Expansion - is 3/8" for all size codes  
 Seals - To specify K or M seal, replace "Z" in part number with "K" or "M"  
 Auxiliary end caps - available in all size codes except ZAS series

For the Selection Guide, Load Ratings and Speed Limits, see the Rex Spherical Roller Bearings Engineering section  
 Note: Dimensions subject to change. Certified dimensions of ordered material furnished on request.

# ZA9000, ZAS9000

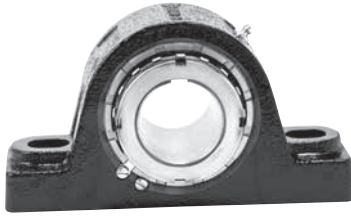
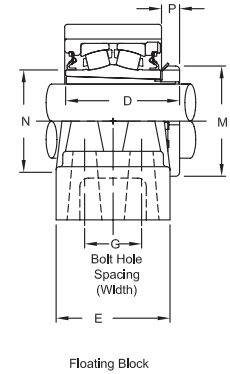
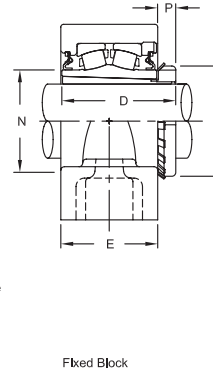
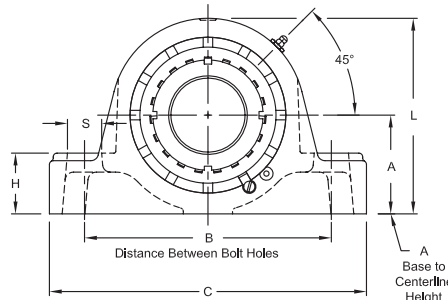


Photo Shows a 2-Bolt Spherical Roller Bearing Pillow Block Unit

## Product Features

- Corrosion-resistant powder coating
- Cast iron housing
- Misalignment capabilities - total of 4°
- Broad range of sealing options
- Factory set clearance & lubrication
- Precision ground & superfinished raceways
- Enhanced life mounting style
- Field interchangeable seals
- Fixed or Expansion - total of 3/8" expansion
- See Features & Benefits for additional info.



## Bearing Dimensions

| Size Code                     | Shaft Diameter | Expansion   |             | Fixed |        | A<br>Base to<br>Centerline<br>Height | B<br>Distance<br>Between<br>Bolt Holes | G<br>Bolt Hole<br>Spacing<br>(Width) | C       | D     | E     | F<br>Bolts | H       | L       | M     | N     | P    | S | Approx.<br>Weight |        |       |        |        |        |       |       |        |        |         |       |       |       |
|-------------------------------|----------------|-------------|-------------|-------|--------|--------------------------------------|--|--------------------------------------|---------|-------|-------|------------|---------|---------|-------|-------|------|---|-------------------|--------|-------|--------|--------|--------|-------|-------|--------|--------|---------|-------|-------|-------|
|                               |                | Part Number | Part Number |       |        |                                      |  |                                      |         |       |       |            |         |         |       |       |      |   |                   |        |       |        |        |        |       |       |        |        |         |       |       |       |
| <b>Two-Bolt Pillow Block</b>  |                |             |             |       |        |                                      |  |                                      |         |       |       |            |         |         |       |       |      |   |                   |        |       |        |        |        |       |       |        |        |         |       |       |       |
| 7                             | 1 15/16        | ZAS9115     | ZA9115      | 2 1/2 | 6 3/4  | -                                    | 8 5/8                                  | 3 5/32                               | 2 9/16  | 5/8   | 1 5/8 | 5          | 2 31/32 | 2 5/8   | 19/32 | 1     | -    | - | 13.70             |        |       |        |        |        |       |       |        |        |         |       |       |       |
|                               | 2              | ZAS9200     | ZA9200      |       |        |                                      |  |                                      |         |       |       |            |         |         |       |       |      |   | 13.60             |        |       |        |        |        |       |       |        |        |         |       |       |       |
|                               | 45.00          | ZAS9045MM   | ZA9045MM    |       |        |                                      |  |                                      |         |       |       |            |         |         |       |       |      |   | 63.50             | 171.45 | -     | 225.43 | 80.17  | 65.09  | 16.00 | 41.28 | 127.00 | 75.40  | 66.680  | 15.08 | 25.40 | 6.10  |
|                               | 50.00          | ZAS9050MM   | ZA9050MM    |       |        |                                      |  |                                      |         |       |       |            |         |         |       |       |      |   |                   |        |       |        |        |        |       |       |        |        |         |       |       |       |
| 8                             | 2 3/16         | ZAS9203     | ZA9203      | 2 3/4 | 7 1/8  | -                                    | 9 1/8                                  | 3 11/32                              | 2 11/16 | 5/8   | 1 5/8 | 5 1/2      | 3 3/8   | 2 29/32 | 23/32 | 1     | -    | - | 16.40             |        |       |        |        |        |       |       |        |        |         |       |       |       |
|                               | 55.00          | ZAS9055MM   | ZA9055MM    | 69.85 | 180.98 | -                                    | 231.78                                 | 84.93                                | 68.26   | 16.00 | 41.28 | 139.70     | 85.73   | 73.810  | 18.26 | 25.40 | 7.50 |   |                   |        |       |        |        |        |       |       |        |        |         |       |       |       |
| 9                             | 2 7/16         | ZAS9207     | ZA9207      | 3 1/4 | 8 1/8  | -                                    | 10 7/16                                | 3 3/4                                | 3 3/16  | 3/4   | 2     | 6 7/16     | 3 5/8   | 3 3/8   | 5/8   | 1 1/8 | -    | - | 26.60             |        |       |        |        |        |       |       |        |        |         |       |       |       |
|                               | 2 1/2          | ZAS9208     | ZA9208      |       |        |                                      |  |                                      |         |       |       |            |         |         |       |       |      |   | 26.20             |        |       |        |        |        |       |       |        |        |         |       |       |       |
| 10                            | 2 11/16        | ZAS9211     | ZA9211      | 3 3/4 | 10     | -                                    | 13                                     | 4 1/4                                | 3 7/16  | 7/8   | 2 1/4 | 7 1/2      | 4 13/32 | 3 31/32 | 13/16 | 1 5/8 | -    | - | 43.00             |        |       |        |        |        |       |       |        |        |         |       |       |       |
|                               | 2 15/16        | ZAS9215     | ZA9215      |       |        |                                      |  |                                      |         |       |       |            |         |         |       |       |      |   | 41.80             |        |       |        |        |        |       |       |        |        |         |       |       |       |
|                               | 75.00          | ZAS9075MM   | ZA9075MM    |       |        |                                      |  |                                      |         |       |       |            |         |         |       |       |      |   | 95.25             | 254.00 | -     | 330.20 | 107.95 | 87.31  | 22.00 | 57.15 | 190.50 | 111.92 | 100.810 | 20.64 | 41.28 | 19.00 |
| 11                            | 3 3/16         | ZAS9303     | ZA9303      | 4 1/8 | 10 7/8 | -                                    | 14 1/4                                 | 5                                    | 4 1/8   | 1     | 2 1/8 | 8 1/2      | 5 3/16  | 4 9/16  | 15/16 | 1 3/4 | -    | - | 61.00             |        |       |        |        |        |       |       |        |        |         |       |       |       |
|                               | 3 7/16         | ZAS9307     | ZA9307      |       |        |                                      |  |                                      |         |       |       |            |         |         |       |       |      |   | 59.00             |        |       |        |        |        |       |       |        |        |         |       |       |       |
|                               | 80.00          | ZAS9080MM   | ZA9080MM    |       |        |                                      |  |                                      |         |       |       |            |         |         |       |       |      |   | 104.78            | 276.23 | -     | 361.95 | 127.00 | 104.78 | 25.00 | 53.98 | 215.90 | 131.76 | 115.890 | 23.81 | 44.45 | 27.00 |
| <b>Four-Bolt Pillow Block</b> |                |             |             |       |        |                                      |  |                                      |         |       |       |            |         |         |       |       |      |   |                   |        |       |        |        |        |       |       |        |        |         |       |       |       |
| 7                             | 1 15/16        | ZAS9115F    | ZA9115F     | 2 1/2 | 6 3/4  | 1 11/16                              | 8 7/8                                  | 3 5/32                               | 3 1/4   | 1/2   | 1 5/8 | 5          | 2 31/32 | 2 5/8   | 19/32 | 7/8   | -    | - | 15.50             |        |       |        |        |        |       |       |        |        |         |       |       |       |
|                               | 2              | ZAS9200F    | ZA9200F     |       |        |                                      |  |                                      |         |       |       |            |         |         |       |       |      |   | 15.40             |        |       |        |        |        |       |       |        |        |         |       |       |       |
|                               | 45.00          | ZAS9045MMF  | ZA9045MMF   |       |        |                                      |  |                                      |         |       |       |            |         |         |       |       |      |   | 63.50             | 171.45 | 42.86 | 225.43 | 80.17  | 82.55  | 13.00 | 41.28 | 127.00 | 75.40  | 66.680  | 15.08 | 22.23 | 7.00  |
|                               | 50.00          | ZAS9050MMF  | ZA9050MMF   |       |        |                                      |  |                                      |         |       |       |            |         |         |       |       |      |   |                   |        |       |        |        |        |       |       |        |        |         |       |       |       |
| 8                             | 2 3/16         | ZAS9203F    | ZA9203F     | 2 3/4 | 7 1/8  | 1 3/4                                | 9 1/4                                  | 3 11/32                              | 3 3/8   | 1/2   | 1 3/4 | 5 1/2      | 3 3/8   | 2 29/32 | 23/32 | 7/8   | -    | - | 17.20             |        |       |        |        |        |       |       |        |        |         |       |       |       |
|                               | 55.00          | ZAS9055MMF  | ZA9055MMF   | 69.85 | 180.98 | 44.45                                | 234.95                                 | 84.93                                | 85.73   | 13.00 | 44.45 | 139.70     | 85.73   | 73.810  | 18.26 | 22.23 | 7.80 |   |                   |        |       |        |        |        |       |       |        |        |         |       |       |       |
| 9                             | 2 7/16         | ZAS9207F    | ZA9207F     | 3 1/4 | 8 1/8  | 1 7/8                                | 10 7/16                                | 3 3/4                                | 3 3/4   | 5/8   | 2 1/4 | 6 7/16     | 3 5/8   | 3 3/8   | 5/8   | 1     | -    | - | 27.30             |        |       |        |        |        |       |       |        |        |         |       |       |       |
|                               | 2 1/2          | ZAS9208F    | ZA9208F     |       |        |                                      |  |                                      |         |       |       |            |         |         |       |       |      |   | 29.30             |        |       |        |        |        |       |       |        |        |         |       |       |       |
| 10                            | 2 11/16        | ZAS9211F    | ZA9211F     | 3 3/4 | 10     | 2                                    | 13                                     | 4 1/4                                | 4 1/8   | 3/4   | 2 1/4 | 7 1/2      | 4 13/32 | 3 31/32 | 13/16 | 1 1/2 | -    | - | 43.30             |        |       |        |        |        |       |       |        |        |         |       |       |       |
|                               | 2 15/16        | ZAS9215F    | ZA9215F     |       |        |                                      |  |                                      |         |       |       |            |         |         |       |       |      |   | 42.10             |        |       |        |        |        |       |       |        |        |         |       |       |       |
|                               | 75.00          | ZAS9075MMF  | ZA9075MMF   |       |        |                                      |  |                                      |         |       |       |            |         |         |       |       |      |   | 95.25             | 254.00 | 50.80 | 330.20 | 107.95 | 104.78 | 19.00 | 57.15 | 190.50 | 111.92 | 100.810 | 20.64 | 38.10 | 19.20 |
| 11                            | 3 3/16         | ZAS9303F    | ZA9303F     | 4 1/4 | 12 1/2 | 2 1/4                                | 15 1/4                                 | 5                                    | 4 1/2   | 3/4   | 2 5/8 | 8 1/2      | 5 3/16  | 4 9/16  | 15/16 | 1 1/4 | -    | - | 66.00             |        |       |        |        |        |       |       |        |        |         |       |       |       |
|                               | 3 7/16         | ZAS9307F    | ZA9307F     |       |        |                                      |  |                                      |         |       |       |            |         |         |       |       |      |   | 64.00             |        |       |        |        |        |       |       |        |        |         |       |       |       |
|                               | 80.00          | ZAS9080MMF  | ZA9080MMF   |       |        |                                      |  |                                      |         |       |       |            |         |         |       |       |      |   | 107.95            | 317.50 | 57.15 | 387.35 | 127.00 | 114.30 | 19.00 | 66.68 | 215.90 | 131.76 | 115.890 | 23.81 | 31.75 | 29.00 |

## Additional Notes

- Please call 1-866-REXNORD for availability
- Lubrication fitting tap size 1/8" PT
- Base to centerline tolerance, +/- .005 in (+/- 0.13 mm)
- Expansion - is 3/8" for all size codes
- Seals - To specify K or M seal, replace "Z" in part number with "K" or "M"
- Auxiliary end caps - available in all size codes except ZAS series

For the Selection Guide, Load Ratings and Speed Limits, see the Rex Spherical Roller Bearings Engineering section  
 Note: Dimensions subject to change. Certified dimensions of ordered material furnished on request.

## ZA2000-72, ZAS2000-72

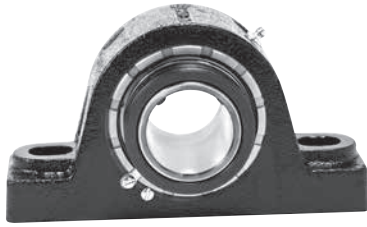
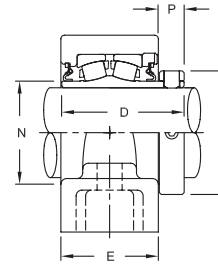
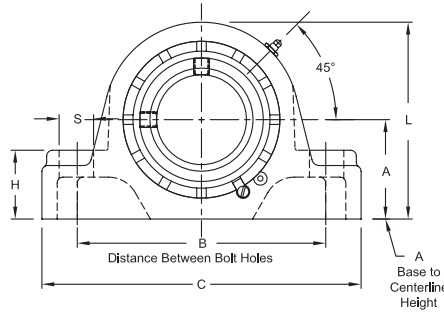


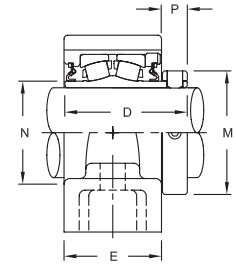
Photo Shows a 2-Bolt Spherical Roller Bearing Pillow Block Unit

### Product Features

- Corrosion-resistant powder coating
- Cast steel housing
- Misalignment capabilities - total of 4°
- Broad range of sealing options
- Factory set clearance & lubrication
- Precision ground & superfinished raceways
- Hardened spring locking collar
- Field interchangeable seals
- Fixed or Expansion - total of 3/8" expansion
- See Features & Benefits for additional info.



Fixed Block



Floating Block

### Bearing Dimensions

| Size Code                    | Shaft Diameter | Expansion   |         |        |        |            | Fixed       |         |       |        |       | A<br>Base to<br>Centerline<br>Height | B<br>Distance<br>Between<br>Bolt Holes | D      | E       | F     | M       | N       | P      | Approx.<br>Weight |
|------------------------------|----------------|-------------|---------|--------|--------|------------|-------------|---------|-------|--------|-------|--------------------------------------|--|--------|---------|-------|---------|---------|--------|-------------------|
|                              |                | Part Number | C       | H      | L      | S          | Part Number | C       | H     | L      | S     |                                      |  |        |         |       |         |         |        |                   |
| <b>Two-Bolt Pillow Block</b> |                |             |         |        |        |            |             |         |       |        |       |                                      |  |        |         |       |         |         |        |                   |
| 4                            | 1 7/16         | ZAS210772   | 6 9/16  | 1      | 3 7/8  | 7/8        | ZA210772    | 6 9/16  | 1     | 3 5/8  | 7/8   | 1 7/8                                | 5                                      | 2 7/8  | 2 1/4   | 1/2   | 2 5/16  | 1 3/4   | 1 1/16 | 7.50              |
|                              | 1 1/2          | ZAS210872   |         |        |        |            | ZA210872    |         |       |        |       |                                      |  |        |         |       |         |         |        |                   |
|                              | 35.00          | ZAS2035MM72 | 166.69  | 25.40  | 98.43  | 22.23      | ZA2035MM72  | 166.69  | 25.40 | 92.08  | 22.23 | 47.63                                | 127.00                                 | 73.02  | 57.15   | 13.00 | 58.74   | 44.450  | 17.46  | 3.40              |
| 5                            | 1 11/16        | ZAS211172   | 7 1/8   | 1 1/8  | 4 3/8  | 7/8        | ZA211172    | 7 1/8   | 1 1/8 | 4 3/16 | 7/8   | 2 1/8                                | 5 1/2                                  | 3 1/8  | 2 1/2   | 1/2   | 2 19/32 | 2 1/32  | 1 1/16 | 10.50             |
|                              | 1 3/4          | ZAS211272   |         |        |        |            | ZA211272    |         |       |        |       |                                      |  |        |         |       |         |         |        |                   |
|                              | 40.00          | ZAS2040MM72 | 180.98  | 28.58  | 111.13 | 22.23      | ZA2040MM72  | 180.98  | 28.58 | 106.36 | 22.23 | 53.98                                | 139.70                                 | 79.38  | 63.50   | 13.00 | 65.88   | 51.590  | 17.46  | 4.70              |
|                              | 45.00          | ZAS2045MM72 |         |        |        |            | ZA2045MM72  |         |       |        |       |                                      |  |        |         |       |         |         |        |                   |
| 6                            | 1 15/16        | ZAS211572   | 8 1/8   | 1 1/4  | 4 9/16 | 15/16      | ZA211572    | 8 3/8   | 1 3/8 | 4 9/16 | 1     | 2 1/4                                | 6 1/4                                  | 3 1/8  | 2 1/2   | 5/8   | 2 7/8   | 2 5/16  | 1 1/16 | 11.70             |
|                              | 2              | ZAS220072   |         |        |        |            | ZA220072    |         |       |        |       |                                      |  |        |         |       |         |         |        |                   |
|                              | 50.00          | ZAS2050MM72 | 206.38  | 31.75  | 115.89 | 23.81      | ZA2050MM72  | 212.73  | 34.93 | 115.89 | 25.40 | 57.15                                | 158.75                                 | 79.38  | 63.50   | 16.00 | 73.03   | 58.740  | 17.46  | 5.30              |
| 7                            | 2 3/16         | ZAS220372   | 8 5/8   | 1 5/16 | 5      | 1          | ZA220372    | 8 7/8   | 1 5/8 | 5      | 1     | 2 1/2                                | 6 3/4                                  | 3 5/16 | 2 9/16  | 5/8   | 3 1/4   | 2 5/8   | 1 3/16 | 14.50             |
|                              | 2 1/4          | ZAS220472   |         |        |        |            | ZA220472    |         |       |        |       |                                      |  |        |         |       |         |         |        |                   |
|                              | 55.00          | ZAS2055MM72 | 219.08  | 33.34  | 127.00 | 25.40      | ZA2055MM72  | 225.43  | 41.28 | 127.00 | 25.40 | 63.50                                | 171.45                                 | 84.14  | 65.09   | 16.00 | 82.60   | 66.680  | 20.64  | 6.60              |
| 8                            | 2 3/8          | ZAS220672   |         |        |        |            | ZA220672    |         |       |        |       |                                      |  |        |         |       |         |         |        |                   |
|                              | 2 7/16         | ZAS220772   | 9 1/8   | 1 1/2  | 5 1/2  | 1          | ZA220772    | 9 1/4   | 1 3/4 | 5 1/2  | 1     | 2 3/4                                | 7 1/8                                  | 3 1/2  | 2 11/16 | 5/8   | 3 9/16  | 2 29/32 | 7/8    | 18.00             |
|                              | 2 1/2          | ZAS220872   |         |        |        |            | ZA220872    |         |       |        |       |                                      |  |        |         |       |         |         |        |                   |
|                              | 60.00          | ZAS2060MM72 | 231.78  | 38.10  | 139.70 | 25.40      | ZA2060MM72  | 234.95  | 44.45 | 139.70 | 25.40 | 69.85                                | 180.98                                 | 88.90  | 68.26   | 16.00 | 90.50   | 73.810  | 22.23  | 8.20              |
|                              | 65.00          | ZAS2065MM72 |         |        |        |            | ZA2065MM72  |         |       |        |       |                                      |  |        |         |       |         |         |        |                   |
| 9                            | 2 11/16        | ZAS221172   |         |        |        |            | ZA221172    |         |       |        |       |                                      |  |        |         |       |         |         |        |                   |
|                              | 2 3/4          | ZAS221272   | 10 7/16 | 1 1/8  | 6 7/16 | 1 1/8      | ZA221272    | 10 7/16 | 2 1/4 | 6 7/16 | 1 1/8 | 3 1/4                                | 8 1/8                                  | 4      | 3 3/16  | 3/4   | 4 1/16  | 3 3/8   | 7/8    | 25.50             |
|                              | 2 15/16        | ZAS221572   |         |        |        |            | ZA221572    |         |       |        |       |                                      |  |        |         |       |         |         |        |                   |
|                              | 3              | ZAS230072   |         |        |        |            | ZA230072    |         |       |        |       |                                      |  |        |         |       |         |         |        |                   |
|                              | 70.00          | ZAS2070MM72 | 265.11  | 28.58  | 163.51 | 28.58      | ZA2070MM72  | 265.11  | 57.15 | 163.51 | 28.58 | 82.55                                | 206.38                                 | 101.60 | 80.96   | 19.00 | 103.20  | 85.730  | 22.23  | 11.60             |
| 75.00                        | ZAS2075MM72    |             |         |        |        | ZA2075MM72 |             |         |       |        |       |                                      |  |        |         |       |         |         |        |                   |
| 10                           | 3 3/16         | ZAS230372   |         |        |        |            | ZA230372    |         |       |        |       |                                      |  |        |         |       |         |         |        |                   |
|                              | 3 7/16         | ZAS230772   | 13      | 2 1/4  | 7 1/2  | 1 5/8      | ZA230772    | 13      | 2 1/4 | 7 1/2  | 1 5/8 | 3 3/4                                | 10                                     | 4 3/8  | 3 7/16  | 7/8   | 4 29/32 | 3 31/32 | 1 5/16 | 42.50             |
|                              | 3 1/2          | ZAS230872   |         |        |        |            | ZA230872    |         |       |        |       |                                      |  |        |         |       |         |         |        |                   |
|                              | 80.00          | ZAS2080MM72 | 330.20  | 57.15  | 190.50 | 41.28      | ZA2080MM72  | 330.20  | 57.15 | 190.50 | 41.28 | 95.25                                | 254.00                                 | 111.13 | 87.31   | 22.00 | 124.62  | 100.810 | 23.81  | 19.30             |
|                              | 85.00          | ZAS2085MM72 |         |        |        |            | ZA2085MM72  |         |       |        |       |                                      |  |        |         |       |         |         |        |                   |
| 90.00                        | ZAS2090MM72    |             |         |        |        | ZA2090MM72 |             |         |       |        |       |                                      |  |        |         |       |         |         |        |                   |
| 11                           | 3 11/16        | ZAS231172   |         |        |        |            | ZA231172    |         |       |        |       |                                      |  |        |         |       |         |         |        |                   |
|                              | 3 15/16        | ZAS231572   | 14 1/4  | 2 1/8  | 8 1/2  | 1 3/4      | ZA231572    | 14 1/4  | 2 1/8 | 8 1/2  | 1 3/4 | 4 1/8                                | 10 7/8                                 | 5 1/16 | 4 1/8   | 1     | 5 5/8   | 4 9/16  | 1 1/32 | 52.50             |
|                              | 4              | ZAS240072   |         |        |        |            | ZA240072    |         |       |        |       |                                      |  |        |         |       |         |         |        |                   |
|                              | 100.00         | ZAS2100MM72 | 361.95  | 53.98  | 215.90 | 44.45      | ZA2100MM72  | 361.95  | 53.98 | 215.90 | 44.45 | 104.78                               | 276.23                                 | 128.59 | 104.78  | 25.00 | 142.90  | 115.890 | 26.19  | 23.80             |

### Additional Notes

- Please call 1-866-REXNORD for availability
- Metric bore sizes available, see the Rex Interchangeability guide
- Lubrication fitting tap size 1/8" PT
- Base to centerline tolerance, +/- .005 in (+/- 0.13 mm)
- Bore size = nominal shaft size +.001 in/- .000 in (+0.03mm/-0.00mm)
- Expansion - is 3/8" for all size codes
- Seals - To specify K or M seal, replace "Z" in part number with "K" or "M"

- Auxiliary end caps - available in all size codes except ZAS series
- For the Selection Guide, Load Ratings and Speed Limits, see the Rex Spherical Roller Bearings Engineering section
- Note: Dimensions subject to change. Certified dimensions of ordered material furnished on request.

## ZA3000-72, ZAS3000-72

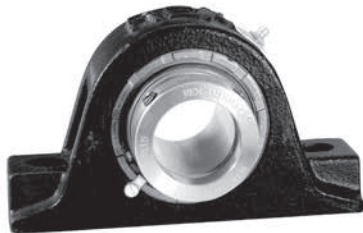
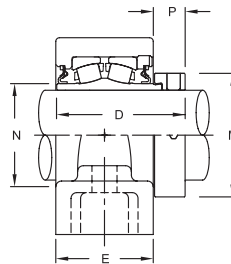
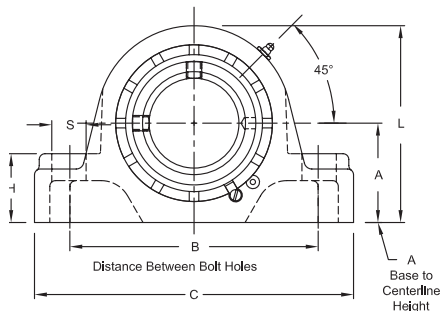


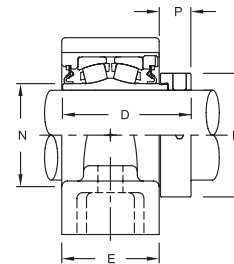
Photo Shows a 2-Bolt Spherical Roller Bearing Pillow Block Unit

### Product Features

- Corrosion-resistant powder coating
- Cast steel housing
- Misalignment capabilities - total of 4°
- Broad range of sealing options
- Factory set clearance & lubrication
- Precision ground & superfinished raceways
- Eccentric locking collar
- Field interchangeable seals
- Fixed or Expansion - total of 3/8" expansion
- See Features & Benefits for additional info.



Fixed Block



Floating Block

### Bearing Dimensions

| Size Code                    | Shaft Diameter | Expansion   |         |        |        | Fixed |             |         |       | A<br>Base to<br>Centerline<br>Height | B<br>Distance<br>Between<br>Bolt Holes | D     | E      | F<br>Bolts | M       | N   | P       | Approx.<br>Weight |        |       |
|------------------------------|----------------|-------------|---------|--------|--------|-------|-------------|---------|-------|--------------------------------------|--|-------|--------|------------|---------|-----|---------|-------------------|--------|-------|
|                              |                | Part Number | C       | H      | L      | S     | Part Number | C       | H     |                                      |  |       |        |            |         |     |         |                   | L      | S     |
| <b>Two-Bolt Pillow Block</b> |                |             |         |        |        |       |             |         |       |                                      |  |       |        |            |         |     |         |                   |        |       |
| 4                            | 1 7/16         | ZAS310772   | 6 9/16  | 1      | 3 7/8  | 7/8   | ZA310772    | 6 9/16  | 1     | 3 5/8                                | 7/8                                    | 1 7/8 | 5      | 2 59/64    | 2 1/4   | 1/2 | 2 5/16  | 1 3/4             | 3/4    | 8.00  |
| 5                            | 1 11/16        | ZAS311172   | 7 1/8   | 1 1/8  | 4 3/8  | 7/8   | ZA311172    | 7 1/8   | 1 1/8 | 4 3/16                               | 7/8                                    | 2 1/8 | 5 1/2  | 3 3/16     | 2 1/2   | 1/2 | 2 19/32 | 2 1/32            | 3/4    | 10.50 |
| 6                            | 1 15/16        | ZAS311572   | 8 1/8   | 1 1/4  | 4 9/16 | 15/16 | ZA311572    | 8 3/8   | 1 3/8 | 4 9/16                               | 1                                      | 2 1/4 | 6 1/4  | 3 9/32     | 2 1/2   | 5/8 | 2 3/4   | 2 5/16            | 13/16  | 12.00 |
| 7                            | 2 3/16         | ZAS320372   | 8 5/8   | 1 5/16 | 5      | 1     | ZA320372    | 8 7/8   | 1 9/8 | 5                                    | 1                                      | 2 1/2 | 6 3/4  | 3 1/2      | 2 9/16  | 5/8 | 3 1/4   | 2 5/8             | 31/32  | 15.00 |
| 8                            | 2 7/16         | ZAS320772   | 9 1/8   | 1 1/2  | 5 1/2  | 1     | ZA320772    | 9 1/4   | 1 3/4 | 5 1/2                                | 1                                      | 2 3/4 | 7 1/8  | 3 21/32    | 2 11/16 | 5/8 | 3 9/16  | 2 29/32           | 1 1/64 | 18.00 |
|                              | 2 1/2          | ZAS320872   |         |        |        |       |             |         |       |                                      |  |       |        |            |         |     |         |                   |        |       |
| 9                            | 2 11/16        | ZAS321172   | 10 7/16 | 1 1/8  | 6 7/16 | 1 1/8 | ZA321172    | 10 7/16 | 2 1/4 | 6 7/16                               | 1 1/8                                  | 3 1/4 | 8 1/8  | 4 13/64    | 3 3/16  | 3/4 | 4 1/16  | 3 3/8             | 1 1/64 | 26.80 |
|                              | 2 15/16        | ZAS321572   |         |        |        |       |             |         |       |                                      |  |       |        |            |         |     |         |                   |        |       |
| 10                           | 3 7/16         | ZAS330772   | 13      | 2 1/4  | 7 1/2  | 1 5/8 | ZA330772    | 13      | 2 1/4 | 7 1/2                                | 1 5/8                                  | 3 3/4 | 10     | 4 9/16     | 3 7/16  | 7/8 | 4 29/32 | 3 31/32           | 1 9/64 | 42.50 |
|                              | 3 1/2          | ZAS330872   |         |        |        |       |             |         |       |                                      |  |       |        |            |         |     |         |                   |        |       |
| 11                           | 3 15/16        | ZAS331572   | 14 1/4  | 2 1/8  | 8 1/2  | 1 3/4 | ZA331572    | 14 1/4  | 2 1/8 | 8 1/2                                | 1 3/4                                  | 4 1/8 | 10 7/8 | 5 3/16     | 4 1/8   | 1   | 5 5/8   | 4 9/16            | 1 1/16 | 52.00 |

### Additional Notes

- Please call 1-866-REXNORD for availability
- Lubrication fitting tap size 1/8" PT
- Base to centerline tolerance, +/- .005 in (+/- 0.13 mm)
- Bore size = nominal shaft size + .001 in / - .000 in (+0.03mm/-0.00mm)
- Expansion - is 3/8" for all size codes
- Seals - To specify K or M seal, replace "Z" in part number with "K" or "M"
- Auxiliary end caps - available in all size codes except ZAS series

For the Selection Guide, Load Ratings and Speed Limits, see the Rex Spherical Roller Bearings Engineering section  
 Note: Dimensions subject to change. Certified dimensions of ordered material furnished on request.

## ZA5000-72, ZAS5000-72

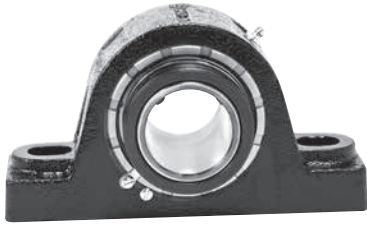
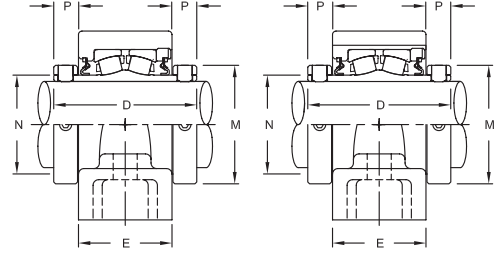
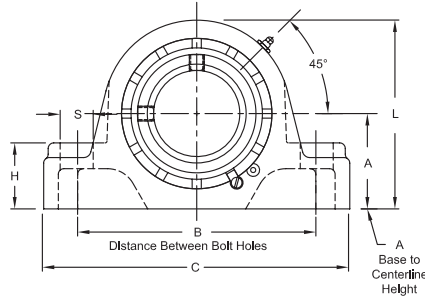


Photo Shows a 2-Bolt Spherical Roller Bearing Pillow Block Unit

### Product Features

- Corrosion-resistant powder coating
- Cast steel housing
- Misalignment capabilities - total of 4°
- Broad range of sealing options
- Factory set clearance & lubrication
- Precision ground & superfinished raceways
- Two hardened spring locking collars
- Field interchangeable seals
- Fixed or Expansion - total of 3/8" expansion
- See Features & Benefits for additional info.



Fixed Block

Floating Block

### Bearing Dimensions

| Size Code                    | Shaft Diameter | Expansion   |         |        |        |       |                | Fixed       |         |       |        |       |                | A<br>Base to<br>Centerline<br>Height | B<br>Distance<br>Between<br>Bolt<br>Holes | D       | E       | F<br>Bolts | M       | N       | P      |
|------------------------------|----------------|-------------|---------|--------|--------|-------|----------------|-------------|---------|-------|--------|-------|----------------|--------------------------------------|---|---------|---------|------------|---------|---------|--------|
|                              |                | Part Number | C       | H      | L      | S     | Approx. Weight | Part Number | C       | H     | L      | S     | Approx. Weight |                                      |   |         |         |            |         |         |        |
| <b>Two-Bolt Pillow Block</b> |                |             |         |        |        |       |                |             |         |       |        |       |                |                                      |   |         |         |            |         |         |        |
| 4                            | 1 7/16         | ZAS510772   | 6 9/16  | 1      | 3 7/8  | 7/8   | 8.50           | ZA510772    | 6 9/16  | 1     | 3 5/8  | 7/8   | 7.30           | 1 7/8                                | 5   | 3 9/16  | 2 1/4   | 1/2        | 2 5/16  | 1 3/4   | 1 1/16 |
|                              | 35.00          | ZAS5035MM72 | 166.69  | 25.40  | 98.43  | 22.23 | 3.90           | ZA5035MM72  | 166.69  | 25.40 | 92.08  | 22.23 | 3.30           | 47.63                                | 127.00                                    | 90.49   | 57.15   | 13.00      | 58.74   | 44.450  | 17.46  |
| 5                            | 1 1/2          | ZAS510872   | 7 1/8   | 1 1/8  | 4 3/8  | 7/8   | 12.10          | ZA510872    | 7 1/8   | 1 1/8 | 4 3/16 | 7/8   | 10.70          | 2 1/8                                | 5 1/2                                     | 3 13/16 | 2 1/2   | 1/2        | 2 19/32 | 2 1/32  | 1 1/16 |
|                              | 11 1/16        | ZAS511172   |         |        |        |       | 11.70          | ZA511172    |         |       |        |       | 10.30          |                                      |   |         |         |            |         |         |        |
|                              | 40.00          | ZAS5040MM72 | 180.98  | 28.58  | 111.13 | 22.23 | 5.50           | ZA5040MM72  | 180.98  | 28.58 | 106.36 | 22.23 | 4.90           | 53.98                                | 139.70                                    | 96.84   | 63.50   | 13.00      | 65.88   | 51.590  | 17.46  |
|                              | 45.00          | ZAS5045MM72 |         |        |        |       |                | ZA5045MM72  |         |       |        |       | 4.70           |                                      |   |         |         |            |         |         |        |
| 6                            | 1 15/16        | ZAS511572   | 8 1/8   | 1 1/4  | 4 9/16 | 15/16 | 12.80          | ZA511572    | 8 3/8   | 1 3/8 | 4 9/16 | 1     | 11.90          | 2 1/4                                | 6 1/4                                     | 3 13/16 | 2 1/2   | 5/8        | 2 7/8   | 2 5/16  | 1 1/16 |
|                              | 50.00          | ZAS5050MM72 | 206.38  | 31.75  | 115.89 | 23.81 | 5.80           | ZA5050MM72  | 212.73  | 34.93 | 115.89 | 25.40 | 5.40           | 57.15                                | 158.75                                    | 96.84   | 63.50   | 16.00      | 73.03   | 58.740  | 17.46  |
| 7                            | 2              | ZAS520072   | 8 5/8   | 1 5/16 | 5      | 1     | 16.50          | ZA520072    | 8 7/8   | 1 5/8 | 5      | 1     | 16.00          | 2 1/2                                | 6 3/4                                     | 4 1/8   | 2 9/16  | 5/8        | 3 1/4   | 2 5/8   | 1 3/16 |
|                              | 2 3/16         | ZAS520372   |         |        |        |       | 15.20          | ZA520372    |         |       |        |       | 15.40          |                                      |   |         |         |            |         |         |        |
|                              | 55.00          | ZAS5055MM72 | 219.08  | 33.34  | 127.00 | 25.40 | 7.00           | ZA5055MM72  | 225.43  | 41.28 | 127.00 | 25.40 | 7.00           | 63.50                                | 171.45                                    | 104.78  | 65.09   | 16.00      | 82.60   | 66.680  | 20.64  |
| 8                            | 2 7/16         | ZAS520772   | 9 1/8   | 1 1/2  | 5 1/2  | 1     | 19.40          | ZA520772    | 9 1/4   | 1 3/4 | 5 1/2  | 1     | 18.60          | 2 3/4                                | 7 1/8                                     | 4 3/8   | 2 11/16 | 5/8        | 3 9/16  | 2 29/32 | 7/8    |
|                              | 60.00          | ZAS5060MM72 | 231.78  | 38.10  | 139.70 | 25.40 | 8.80           | ZA5060MM72  | 234.95  | 44.45 | 139.70 | 25.40 | 8.50           | 69.85                                | 180.98                                    | 111.13  | 68.26   | 16.00      | 90.50   | 73.810  | 22.23  |
|                              | 65.00          | ZAS5065MM72 |         |        |        |       | 8.60           | ZA5065MM72  |         |       |        |       | 8.30           |                                      |   |         |         |            |         |         |        |
| 9                            | 2 1/2          | ZAS520872   |         |        |        |       | 29.70          | ZA520872    |         |       |        |       | 28.90          |                                      |   |         |         |            |         |         |        |
|                              | 2 11/16        | ZAS521172   | 10 7/16 | 1 1/8  | 6 7/16 | 1 1/8 | 28.70          | ZA521172    | 10 7/16 | 2 1/4 | 6 7/16 | 1 1/8 | 27.90          | 3 1/4                                | 8 1/8                                     | 4 7/8   | 3 3/16  | 3/4        | 4 1/16  | 3 3/8   | 7/8    |
|                              | 2 15/16        | ZAS521572   |         |        |        |       | 28.20          | ZA521572    |         |       |        |       | 27.40          |                                      |   |         |         |            |         |         |        |
|                              | 70.00          | ZAS5070MM72 | 265.11  | 28.58  | 163.51 | 28.58 | 13.00          | ZA5070MM72  | 265.11  | 57.15 | 163.51 | 28.58 | 13.50          | 82.55                                | 206.38                                    | 123.83  | 80.96   | 19.00      | 103.20  | 85.730  | 22.23  |
|                              | 75.00          | ZAS5075MM72 |         |        |        |       | 12.50          | ZA5075MM72  |         |       |        |       | 13.00          |                                      |   |         |         |            |         |         |        |
| 10                           | 3 3/16         | ZAS530372   |         |        |        |       | 46.60          | ZA530372    |         |       |        |       | 42.10          |                                      |   |         |         |            |         |         |        |
|                              | 3 7/16         | ZAS530772   | 13      | 2 1/4  | 7 1/2  | 1 5/8 | 44.70          | ZA530772    | 13      | 2 1/4 | 7 1/2  | 1 5/8 | 40.20          | 3 3/4                                | 10  | 5 5/16  | 3 7/16  | 7/8        | 4 29/32 | 3 31/32 | 15/16  |
|                              | 80.00          | ZAS5080MM72 |         |        |        |       | 21.10          | ZA5080MM72  |         |       |        |       | 19.00          |                                      |   |         |         |            |         |         |        |
|                              | 85.00          | ZAS5085MM72 | 330.20  | 57.15  | 190.50 | 41.28 | 21.10          | ZA5085MM72  | 330.20  | 57.15 | 190.50 | 41.28 | 19.00          | 95.25                                | 254.00                                    | 134.94  | 87.31   | 22.00      | 124.62  | 100.810 | 23.81  |
| 11                           | 3 11/16        | ZAS531172   |         |        |        |       | 59.50          | ZA531172    |         |       |        |       | 50.80          |                                      |   |         |         |            |         |         |        |
|                              | 3 15/16        | ZAS531572   | 14 1/4  | 2 1/8  | 8 1/2  | 1 3/4 | 58.50          | ZA531572    | 14 1/4  | 2 1/8 | 8 1/2  | 1 3/4 | 49.80          | 4 1/8                                | 10 7/8                                    | 6 1/8   | 4 1/8   | 1          | 5 5/8   | 4 9/16  | 1 1/32 |
|                              | 4              | ZAS540072   |         |        |        |       | 57.50          | ZA540072    |         |       |        |       | 48.80          |                                      |   |         |         |            |         |         |        |
|                              | 100.00         | ZAS5100MM72 | 361.95  | 53.98  | 215.90 | 44.45 | 26.50          | ZA5100MM72  | 361.95  | 53.98 | 215.90 | 44.45 | 22.50          | 104.78                               | 276.23                                    | 155.58  | 104.78  | 25.00      | 142.90  | 115.890 | 26.19  |

### Additional Notes

- Please call 1-866-REXNORD for availability
- Metric bore sizes available, see the Rex Interchangeability guide
- Lubrication fitting tap size 1/8" PT
- Base to centerline tolerance, +/- .005 in (+/- 0.13 mm)
- Bore size = nominal shaft size +.001 in/- .000 in (+0.03mm/-0.00mm)
- Expansion - is 3/8" for all size codes
- Seals - To specify K or M seal, replace "Z" in part number with "K" or "M"

- Auxiliary end caps - available in all size codes except ZAS series
- For the Selection Guide, Load Ratings and Speed Limits, see the Rex Spherical Roller Bearings Engineering section
- Note: Dimensions subject to change. Certified dimensions of ordered material furnished on request.

# ZA6000-72, ZAS6000-72

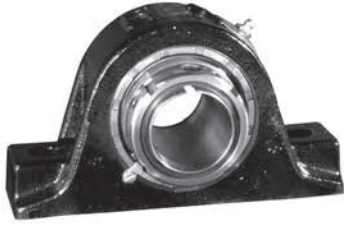
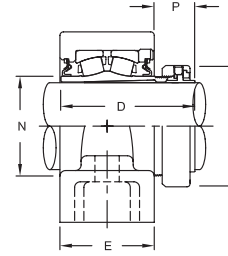
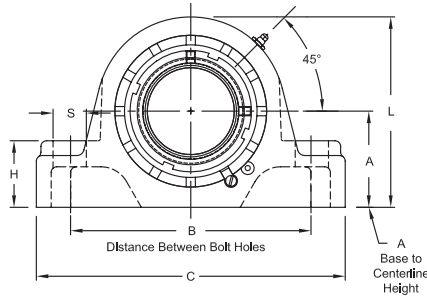


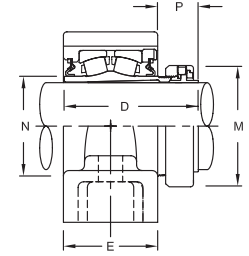
Photo Shows a 2-Bolt Spherical Roller Bearing Pillow Block Unit

## Product Features

- Spyglass™ Optical Strain Sensor (OSS) Technology
- Positive locking system
- Tapered adapter sleeve
- Corrosion-resistant powder coating
- Cast steel housing
- Misalignment capabilities - total of 4°
- Broad range of sealing options
- Factory set clearance & lubrication
- Precision ground & superfinished raceways
- See Features & Benefits for additional info.



Fixed Block



Floating Block

## Bearing Dimensions

| Size Code                    | Shaft Diameter | Expansion   |         |        |       |                | Fixed       |         |        |       |                | A<br>Base to Centerline Height | B<br>Distance Between Bolt Holes | D       | E       | F<br>Bolts | L       | M       | N       | P       |       |             |        |       |       |       |        |        |        |        |       |        |        |         |       |
|------------------------------|----------------|-------------|---------|--------|-------|----------------|-------------|---------|--------|-------|----------------|--------------------------------|----------------------------------|---------|---------|------------|---------|---------|---------|---------|-------|-------------|--------|-------|-------|-------|--------|--------|--------|--------|-------|--------|--------|---------|-------|
|                              |                | Part Number | C       | H      | S     | Approx. Weight | Part Number | C       | H      | S     | Approx. Weight |                                |                                  |         |         |            |         |         |         |         |       |             |        |       |       |       |        |        |        |        |       |        |        |         |       |
| <b>Two-Bolt Pillow Block</b> |                |             |         |        |       |                |             |         |        |       |                |                                |                                  |         |         |            |         |         |         |         |       |             |        |       |       |       |        |        |        |        |       |        |        |         |       |
| 4                            | 1 7/16         | ZAS610772   | 6 7/8   | 1 3/16 | 13/16 | 7.50           | ZAS610772   | 6 7/8   | 1 3/16 | 13/16 | 7.50           | 1 7/8                          | 5                                | 3 21/64 | 2 1/4   | 1/2        | 3 11/16 | 2 25/64 | 1 3/4   | 1 9/64  |       |             |        |       |       |       |        |        |        |        |       |        |        |         |       |
| 5                            | 1 11/16        | ZAS611172   | 7 3/8   | 1 5/16 | 13/16 | 9.20           | ZAS611172   | 7 3/8   | 1 5/16 | 13/16 | 9.20           | 2 1/8                          | 5 1/2                            | 3 47/64 | 2 1/2   | 1/2        | 4 3/8   | 2 41/64 | 2 1/32  | 1 9/32  |       |             |        |       |       |       |        |        |        |        |       |        |        |         |       |
| 6                            | 1 15/16        | ZAS611572   | 8 1/8   | 1 1/4  | 15/16 | 12.20          | ZAS611572   | 8 3/8   | 1 3/8  | 1     | 11.30          | 2 1/4                          | 6 1/4                            | 3 41/64 | 2 1/2   | 5/8        | 4 9/16  | 2 55/64 | 2 5/16  | 1 1/8   |       |             |        |       |       |       |        |        |        |        |       |        |        |         |       |
|                              | 45.00          | ZAS6045MM72 | 206.38  | 31.75  | 23.81 | 5.80           | ZAS6045MM72 | 212.73  | 34.93  | 25.40 | 5.40           | 57.15                          | 158.75                           | 92.47   | 63.50   | 16.00      | 115.89  | 72.63   | 58.740  | 28.58   |       |             |        |       |       |       |        |        |        |        |       |        |        |         |       |
| 7                            | 2 3/16         | ZAS620372   | 8 5/8   | 1 5/16 | 1     | 14.80          | ZAS620372   | 8 7/8   | 1 5/8  | 1     | 14.30          | 2 1/2                          | 6 3/4                            | 3 11/16 | 2 9/16  | 5/8        | 5       | 3 15/64 | 2 5/8   | 1 5/32  |       |             |        |       |       |       |        |        |        |        |       |        |        |         |       |
|                              | 55.00          | ZAS6055MM72 | 219.08  | 33.34  | 25.40 | 7.00           | ZAS6055MM72 | 225.43  | 41.28  | 25.40 | 7.00           | 63.50                          | 171.45                           | 93.66   | 65.09   | 16.00      | 127.00  | 82.15   | 66.680  | 29.37   |       |             |        |       |       |       |        |        |        |        |       |        |        |         |       |
| 8                            | 2 3/8          | ZAS620672   | 9 1/8   | 1 1/2  | 1     | 18.50          | ZAS620672   | 9 1/4   | 1 3/4  | 1     | 17.70          | 2 3/4                          | 7 1/8                            | 4 1/16  | 2 11/16 | 5/8        | 5 1/2   | 3 19/32 | 2 29/32 | 1 27/64 |       |             |        |       |       |       |        |        |        |        |       |        |        |         |       |
|                              | 2 7/16         | ZAS620772   |         |        |       | 18.40          | ZAS620772   |         |        |       | 17.60          |                                |                                  |         |         |            |         |         |         |         |       |             |        |       |       |       |        |        |        |        |       |        |        |         |       |
|                              | 60.00          | ZAS6060MM72 |         |        |       | 231.78         | 38.10       |         |        |       | 25.40          |                                |                                  |         |         |            |         |         |         |         | 8.80  | ZAS6060MM72 | 234.95 | 44.45 | 25.40 | 8.50  | 69.85  | 180.98 | 103.19 | 68.26  | 16.00 | 139.70 | 91.28  | 73.810  | 36.12 |
| 9                            | 2 11/16        | ZAS621172   | 10 7/16 | 1 1/8  | 1 1/8 | 27.00          | ZAS621172   | 10 7/16 | 2 1/4  | 1 1/8 | 26.20          | 3 1/4                          | 8 1/8                            | 4 17/32 | 3 3/16  | 3/4        | 6 7/16  | 4 3/32  | 3 3/8   | 1 25/64 |       |             |        |       |       |       |        |        |        |        |       |        |        |         |       |
|                              | 2 3/4          | ZAS621272   |         |        |       | 26.60          | ZAS621272   |         |        |       | 25.80          |                                |                                  |         |         |            |         |         |         |         |       |             |        |       |       |       |        |        |        |        |       |        |        |         |       |
|                              | 2 15/16        | ZAS621572   |         |        |       | 25.50          | ZAS621572   |         |        |       | 24.70          |                                |                                  |         |         |            |         |         |         |         |       |             |        |       |       |       |        |        |        |        |       |        |        |         |       |
|                              | 70.00          | ZAS6070MM72 |         |        |       | 265.11         | 28.58       |         |        |       | 28.58          |                                |                                  |         |         |            |         |         |         |         | 13.00 | ZAS6070MM72 | 265.11 | 57.15 | 28.58 | 13.50 | 82.55  | 206.38 | 115.09 | 80.96  | 19.00 | 163.51 | 103.98 | 85.730  | 35.32 |
|                              | 75.00          | ZAS6075MM72 |         |        |       | 265.11         | 28.58       |         |        |       | 28.58          |                                |                                  |         |         |            |         |         |         |         | 12.50 | ZAS6075MM72 | 265.11 | 57.15 | 28.58 | 13.00 |        |        |        |        |       |        |        |         |       |
| 10                           | 3 3/16         | ZAS630372   | 13      | 2 1/4  | 1 5/8 | 44.00          | ZAS630372   | 13      | 2 1/4  | 1 5/8 | 39.50          | 3 3/4                          | 10                               | 5 1/32  | 3 7/16  | 7/8        | 7 1/2   | 4 61/64 | 3 31/32 | 1 19/32 |       |             |        |       |       |       |        |        |        |        |       |        |        |         |       |
|                              | 3 7/16         | ZAS630772   |         |        |       | 42.50          | ZAS630772   |         |        |       | 41.50          |                                |                                  |         |         |            |         |         |         |         |       |             |        |       |       |       |        |        |        |        |       |        |        |         |       |
|                              | 80.00          | ZAS6080MM72 |         |        |       | 330.20         | 57.15       |         |        |       | 41.28          |                                |                                  |         |         |            |         |         |         |         | 21.10 | ZAS6080MM72 | 330.20 | 57.15 | 41.28 | 19.00 | 95.25  | 254.00 | 127.79 | 87.31  | 22.00 | 190.50 | 125.81 | 100.810 | 40.48 |
|                              | 85.00          | ZAS6085MM72 |         |        |       | 330.20         | 57.15       |         |        |       | 41.28          |                                |                                  |         |         |            |         |         |         |         | 21.10 | ZAS6085MM72 | 330.20 | 57.15 | 41.28 | 19.00 |        |        |        |        |       |        |        |         |       |
| 11                           | 3 11/16        | ZAS631172   | 14 1/4  | 2 1/8  | 1 3/4 | 57.00          | ZAS631172   | 14 1/4  | 2 1/8  | 1 3/4 | 48.30          | 4 1/8                          | 10 7/8                           | 5 25/32 | 4 1/8   | 1          | 8 1/2   | 5 43/64 | 4 9/16  | 1 47/64 |       |             |        |       |       |       |        |        |        |        |       |        |        |         |       |
|                              | 3 15/16        | ZAS631572   |         |        |       | 55.00          | ZAS631572   |         |        |       | 46.30          |                                |                                  |         |         |            |         |         |         |         |       |             |        |       |       |       |        |        |        |        |       |        |        |         |       |
|                              | 100.00         | ZAS6100MM72 |         |        |       | 361.95         | 53.98       |         |        |       | 44.45          |                                |                                  |         |         |            |         |         |         |         | 26.50 | ZAS6100MM72 | 361.95 | 53.98 | 44.45 | 22.50 | 104.78 | 276.23 | 146.84 | 104.78 | 25.00 | 215.90 | 144.07 | 115.890 | 44.05 |

## Additional Notes

- Please call 1-866-REXNORD for availability
- Metric bore sizes available, see the Rex Interchangeability guide
- Lubrication fitting tap size 1/8" PT
- Base to centerline tolerance, +/-0.005 in (+/-0.13 mm)
- Expansion - is 3/8" for all size codes
- Seals - To specify K or M seal, replace "Z" in part number with "K" or "M"
- Auxiliary end caps - available in all size codes except ZAS series

For the Selection Guide, Load Ratings and Speed Limits, see the Rex Spherical Roller Bearings Engineering section  
 Note: Dimensions subject to change. Certified dimensions of ordered material furnished on request.

## ZA9000-72, ZAS9000-72

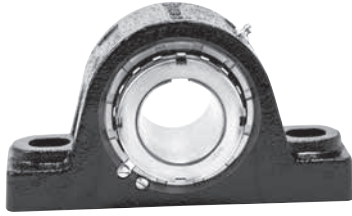
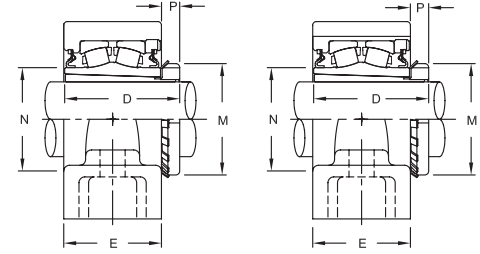
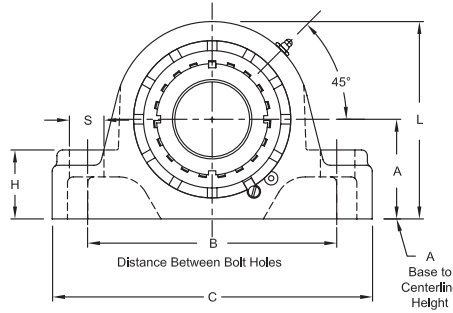


Photo Shows a 2-Bolt Spherical Roller Bearing Pillow Block Unit

### Product Features

- Corrosion-resistant powder coating
- Cast steel housing
- Misalignment capabilities - total of 4°
- Broad range of sealing options
- Factory set clearance & lubrication
- Precision ground & superfinished raceways
- Enhanced life mounting style
- Field interchangeable seals
- Fixed or Expansion - total of 3/8" expansion
- See Features & Benefits for additional info.



Fixed Block

Floating Block

### Bearing Dimensions

| Size Code                    | Shaft Diameter | Expansion   |         |        |                | Fixed       |         |       |                | A<br>Base to Centerline Height | B<br>Distance Between Bolt Holes | D       | E       | F<br>Bolts | L      | M       | N       | P     | S     |
|------------------------------|----------------|-------------|---------|--------|----------------|-------------|---------|-------|----------------|--------------------------------|----------------------------------|---------|---------|------------|--------|---------|---------|-------|-------|
|                              |                | Part Number | C       | H      | Approx. Weight | Part Number | C       | H     | Approx. Weight |                                |                                  |         |         |            |        |         |         |       |       |
| <b>Two-Bolt Pillow Block</b> |                |             |         |        |                |             |         |       |                |                                |                                  |         |         |            |        |         |         |       |       |
| 7                            | 1 15/16        | ZAS911572   | 8 5/8   | 1 5/16 | 15.00          | ZA911572    | 8 7/8   | 1 5/8 | 14.50          | 2 1/2                          | 6 3/4                            | 3 5/32  | 2 9/16  | 5/8        | 5      | 2 31/32 | 2 5/8   | 19/32 | 1     |
|                              | 2              | ZAS920072   |         |        | 14.90          |             |         |       | 14.40          |                                |                                  |         |         |            |        |         |         |       |       |
|                              | 45.00          | ZAS9045MM72 | 219.08  | 33.34  | 6.80           | ZA9045MM72  | 225.43  | 41.28 | 6.60           | 63.50                          | 171.45                           | 80.17   | 65.09   | 16.00      | 127.00 | 75.40   | 66.680  | 15.08 | 25.40 |
|                              | 50.00          | ZAS9050MM72 |         |        |                | ZA9050MM72  |         |       |                |                                |                                  |         |         |            |        |         |         |       |       |
| 8                            | 2 3/16         | ZAS920372   | 9 1/8   | 1 1/2  | 18.70          | ZA920372    | 9 1/4   | 1 3/4 | 17.90          | 2 3/4                          | 7 1/8                            | 3 11/32 | 2 11/16 | 5/8        | 5 1/2  | 3 3/8   | 2 29/32 | 23/32 | 1     |
|                              | 55.00          | ZAS9055MM72 | 231.78  | 38.10  | 8.50           | ZA9055MM72  | 234.95  | 44.45 | 8.10           | 69.85                          | 180.98                           | 84.93   | 68.26   | 16.00      | 139.70 | 85.73   | 73.810  | 18.26 | 25.40 |
| 9                            | 2 7/16         | ZAS920772   | 10 7/16 | 1 1/8  | 26.30          | ZA920772    | 10 7/16 | 2 1/4 | 25.50          | 3 1/4                          | 8 1/8                            | 3 3/4   | 3 3/16  | 3/4        | 6 7/16 | 3 5/8   | 3 3/8   | 5/8   | 1 1/8 |
|                              | 2 1/2          | ZAS920872   |         |        | 25.90          | 25.10       |         |       |                |                                |                                  |         |         |            |        |         |         |       |       |
| 10                           | 2 11/16        | ZAS921172   | 13      | 2 1/4  | 45.20          | ZA921172    | 13      | 2 1/4 | 40.70          | 3 3/4                          | 10                               | 4 1/4   | 3 7/16  | 7/8        | 7 1/2  | 4 13/32 | 3 31/32 | 13/16 | 1 5/8 |
|                              | 2 15/16        | ZAS921572   |         |        | 44.00          | 39.50       |         |       |                |                                |                                  |         |         |            |        |         |         |       |       |
|                              | 75.00          | ZAS9075MM72 | 330.20  | 57.15  | 19.90          | ZA9075MM72  | 330.20  | 57.15 | 18.00          | 95.25                          | 254.00                           | 107.95  | 87.31   | 22.00      | 190.50 | 111.92  | 100.810 | 20.64 | 41.28 |
|                              |                |             |         |        |                |             |         |       |                |                                |                                  |         |         |            |        |         |         |       |       |
| 11                           | 3 3/16         | ZAS930372   | 14 1/4  | 2 1/8  | 60.00          | ZA930372    | 14 1/4  | 2 1/8 | 51.30          | 4 1/8                          | 10 7/8                           | 5       | 4 1/8   | 1          | 8 1/2  | 5 3/16  | 4 9/16  | 15/16 | 1 3/4 |
|                              | 3 7/16         | ZAS930772   |         |        | 57.00          | 49.30       |         |       |                |                                |                                  |         |         |            |        |         |         |       |       |
|                              | 80.00          | ZAS9080MM72 | 361.95  | 53.98  | 2,600.00       | ZA9080MM72  | 361.95  | 53.98 | 22.30          | 104.78                         | 276.23                           | 127.00  | 104.78  | 25.00      | 215.90 | 131.76  | 115.890 | 23.81 | 44.45 |

### Additional Notes

- Please call 1-866-REXNORD for availability
- Lubrication fitting tap size 1/8" PT
- Base to centerline tolerance, +/- .005 in (+/- 0.13 mm)
- Expansion - is 3/8" for all size codes
- Seals - To specify K or M seal, replace "Z" in part number with "K" or "M"
- Auxiliary end caps - available in all size codes except ZAS series
- For the Selection Guide, Load Ratings and Speed Limits, see the Rex Spherical Roller Bearings Engineering section

Note: Dimensions subject to change. Certified dimensions of ordered material furnished on request.



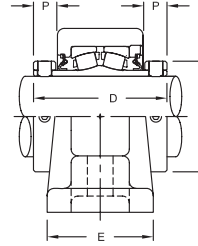
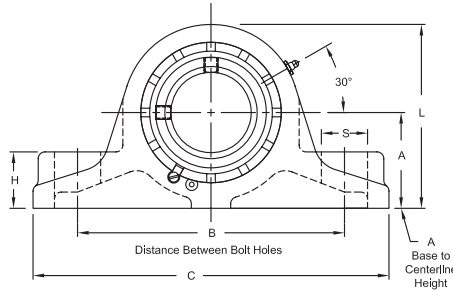
# ZP5000, ZPS5000



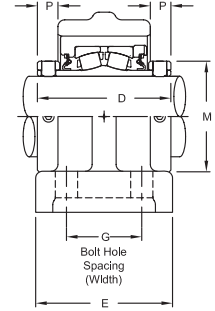
Photo Shows a 2-Bolt Spherical Roller Bearing Pillow Block Unit

## Product Features

- Corrosion-resistant powder coating
- Cast iron housing
- Misalignment capabilities - total of 4°
- Broad range of sealing options
- Factory set clearance & lubrication
- Precision ground & superfinished raceways
- Two hardened spring locking collars
- Field interchangeable seals
- Fixed or Expansion - Up to 3/4" expansion
- See Features & Benefits for additional info.



Fixed



Floating

## Bearing Dimensions

| Size Code                     | Shaft Diameter | Expansion   |           |        | Fixed          |             |          | A<br>Base to Centerline Height | B<br>Distance Between Bolt Holes | G<br>Bolt Hole Spacing (Width) | C      | D      | E      | F       | H       | M      | S      |         |                |        |          |        |       |        |        |        |       |       |        |       |       |       |  |
|-------------------------------|----------------|-------------|-----------|--------|----------------|-------------|----------|--------------------------------|----------------------------------|--------------------------------|--------|--------|--------|---------|---------|--------|--------|---------|----------------|--------|----------|--------|-------|--------|--------|--------|-------|-------|--------|-------|-------|-------|--|
|                               |                | Part Number | L         | P      | Approx. Weight | Part Number | L        |                                |                                  |                                |        |        |        |         |         |        |        | P       | Approx. Weight |        |          |        |       |        |        |        |       |       |        |       |       |       |  |
| <b>Two-Bolt Pillow Block</b>  |                |             |           |        |                |             |          |                                |                                  |                                |        |        |        |         |         |        |        |         |                |        |          |        |       |        |        |        |       |       |        |       |       |       |  |
| 4                             | 1 7/16         | ZPS5107     | 4 11/32   | 9/16   | 10.70          | ZP5107      | 3 31/32  | 11/16                          | 8.10                             | 2 1/8                          | 5 7/8  | -      | 8 1/8  | 3 9/16  | 2 7/16  | 1/2    | 1 1/8  | 2 5/16  | 1 1/8          |        |          |        |       |        |        |        |       |       |        |       |       |       |  |
|                               |                | 35.00       | ZPS5035MM | 110.31 | 14.29          | 4.90        | ZP5035MM | 100.79                         | 17.46                            | 3.70                           | 59.98  | 149.23 | -      | 206.38  | 90.49   | 61.91  | 13.00  | 28.58   | 58.74          | 28.58  |          |        |       |        |        |        |       |       |        |       |       |       |  |
| 5                             | 1 1/2          | ZPS5108     | 4 13/16   | 1/2    | 15.70          | ZP5108      | 4 7/16   | 11/16                          | 11.90                            | 2 5/16                         | 6 1/2  | -      | 9      | 3 13/16 | 2 13/16 | 1/2    | 1 5/16 | 2 19/32 | 1 1/4          |        |          |        |       |        |        |        |       |       |        |       |       |       |  |
|                               |                | 40.00       |           |        | ZPS040MM       | 7.10        |          |                                | ZP040MM                          |                                |        |        |        |         |         |        |        |         |                | 112.71 | 17.46    | 5.40   | 58.74 | 165.10 | -      | 228.60 | 96.84 | 71.44 | 13.00  | 33.34 | 65.88 | 31.75 |  |
|                               |                | 45.00       |           |        | ZPS045MM       | 6.80        |          |                                | ZP045MM                          |                                |        |        |        |         |         |        |        |         |                |        |          | 5.20   |       |        |        |        |       |       |        |       |       |       |  |
| 6                             | 1 15/16        | ZPS5115     | 4 15/16   | 9/16   | 16.10          | ZP5115      | 4 3/4    | 11/16                          | 13.40                            | 2 1/2                          | 7      | -      | 9 3/4  | 3 13/16 | 2 7/8   | 5/8    | 1 7/16 | 2 7/8   | 1 1/4          |        |          |        |       |        |        |        |       |       |        |       |       |       |  |
|                               |                | 50.00       | ZPS050MM  | 125.41 | 14.29          | 7.30        | ZP050MM  | 120.65                         | 17.46                            | 6.00                           | 63.50  | 177.80 | -      | 247.65  | 96.84   | 73.02  | 16.00  | 36.51   | 73.03          | 31.75  |          |        |       |        |        |        |       |       |        |       |       |       |  |
| 7                             | 2              | ZPS5200     | 5 23/32   | 11/16  | 21.80          | ZP5200      | 5 1/4    | 13/16                          | 17.50                            | 2 3/4                          | 7 1/2  | -      | 10 1/4 | 4 1/8   | 3 1/8   | 5/8    | 1 5/8  | 3 1/4   | 1 1/4          |        |          |        |       |        |        |        |       |       |        |       |       |       |  |
|                               |                | 2 3/16      |           |        | ZPS5203        | 21.60       |          |                                | ZP5203                           |                                |        |        |        |         |         |        |        |         |                | 16.90  | 69.85    | 190.50 | -     | 260.35 | 104.78 | 79.38  | 16.00 | 41.28 | 82.60  | 31.75 |       |       |  |
|                               |                | 55.00       |           |        | ZPS055MM       | 145.24      |          |                                | 17.46                            |                                |        |        |        |         |         |        |        |         |                | 9.80   | ZP055MM  | 133.35 | 20.64 | 7.60   |        |        |       |       |        |       |       |       |  |
| 8                             | 2 7/16         | ZPS5207     | 6 3/16    | 3/4    | 25.90          | ZP5207      | 5 3/4    | 7/8                            | 21.20                            | 3                              | 8 1/4  | -      | 11 1/4 | 4 3/8   | 3 3/8   | 3/4    | 1 3/4  | 3 9/16  | 1 3/8          |        |          |        |       |        |        |        |       |       |        |       |       |       |  |
|                               |                | 60.00       | ZPS060MM  | 157.16 | 19.05          | 11.70       | ZP060MM  | 146.05                         | 22.23                            | 9.60                           | 76.20  | 209.55 | -      | 285.75  | 111.13  | 85.73  | 19.00  | 44.45   | 90.50          | 34.93  |          |        |       |        |        |        |       |       |        |       |       |       |  |
|                               |                | 65.00       | ZPS065MM  |        |                | 11.20       | ZP065MM  |                                |                                  | 9.00                           |        |        |        |         |         |        |        |         |                |        |          |        |       |        |        |        |       |       |        |       |       |       |  |
| 9                             | 2 1/2          | ZPS5208     | 7 3/16    | 3/4    | 43.40          | ZP5208      | 6 23/32  | 7/8                            | 35.20                            | 3 1/2                          | 9 3/4  | -      | 13     | 4 7/8   | 3 7/8   | 7/8    | 2 1/16 | 4 1/16  | 1 5/8          |        |          |        |       |        |        |        |       |       |        |       |       |       |  |
|                               |                | 2 11/16     |           |        | ZPS5211        | 42.50       |          |                                | ZP5211                           |                                |        |        |        |         |         |        |        |         |                | 33.90  | 88.90    | 247.65 | -     | 330.20 | 123.83 | 98.43  | 22.00 | 52.39 | 103.20 | 41.28 |       |       |  |
|                               |                | 2 15/16     |           |        | ZPS5215        | 40.40       |          |                                | ZP5215                           |                                |        |        |        |         |         |        |        |         |                | 32.60  |          |        |       |        |        |        |       |       |        |       |       |       |  |
|                               |                | 70.00       |           |        | ZPS070MM       | 182.56      |          |                                | 19.05                            |                                |        |        |        |         |         |        |        |         |                | 19.20  | ZP070MM  | 170.64 | 22.23 | 15.40  |        |        |       |       |        |       |       |       |  |
|                               | 75.00          | ZPS075MM    |           |        | 18.70          | ZP075MM     |          |                                | 15.00                            |                                |        |        |        |         |         |        |        |         |                |        |          |        |       |        |        |        |       |       |        |       |       |       |  |
| <b>Four-Bolt Pillow Block</b> |                |             |           |        |                |             |          |                                |                                  |                                |        |        |        |         |         |        |        |         |                |        |          |        |       |        |        |        |       |       |        |       |       |       |  |
| 6                             | 1 15/16        | ZPS5115F    | 5 5/32    | 9/16   | 17.70          | ZP5115F     | 5        | 11/16                          | 15.80                            | 2 1/2                          | 7      | 2 1/4  | 9 3/4  | 3 13/16 | 4       | 5/8    | 1      | 2 7/8   | 1 1/4          |        |          |        |       |        |        |        |       |       |        |       |       |       |  |
|                               |                | 50.00       | ZPS050MMF | 130.96 | 14.29          | 8.00        | ZP050MMF | 127.00                         | 17.46                            | 7.20                           | 63.50  | 177.80 | 57.15  | 247.65  | 96.84   | 101.60 | 16.00  | 25.40   | 73.03          | 31.75  |          |        |       |        |        |        |       |       |        |       |       |       |  |
| 7                             | 2              | ZPS5200F    | 5 23/32   | 11/16  | 22.10          | ZP5200F     | 5 1/2    | 13/16                          | 19.60                            | 2 3/4                          | 7 1/2  | 2 1/4  | 10 1/4 | 4 1/8   | 4 1/8   | 5/8    | 1      | 3 1/4   | 1 1/4          |        |          |        |       |        |        |        |       |       |        |       |       |       |  |
|                               |                | 2 3/16      |           |        | ZPS5203F       | 21.70       |          |                                | ZP5203F                          |                                |        |        |        |         |         |        |        |         |                | 18.80  | 69.85    | 190.50 | 57.15 | 260.35 | 104.78 | 104.78 | 16.00 | 25.40 | 82.60  | 31.75 |       |       |  |
|                               |                | 55.00       |           |        | ZPS055MMF      | 145.24      |          |                                | 17.46                            |                                |        |        |        |         |         |        |        |         |                | 9.80   | ZP055MMF | 39.70  | 20.64 | 8.50   |        |        |       |       |        |       |       |       |  |
| 8                             | 2 7/16         | ZPS5207F    | 6 7/32    | 3/4    | 27.40          | ZP5207F     | 6        | 7/8                            | 24.40                            | 3                              | 8 1/4  | 2 5/8  | 11 1/4 | 4 3/8   | 4 1/2   | 5/8    | 1 1/8  | 3 9/16  | 1 1/4          |        |          |        |       |        |        |        |       |       |        |       |       |       |  |
|                               |                | 60.00       | ZPS060MMF | 157.94 | 19.05          | 12.40       | ZP060MMF | 152.40                         | 22.23                            | 11.00                          | 76.20  | 209.55 | 66.68  | 285.75  | 111.13  | 114.30 | 16.00  | 28.58   | 90.50          | 31.75  |          |        |       |        |        |        |       |       |        |       |       |       |  |
|                               |                | 65.00       | ZPS065MMF |        |                | 12.00       | ZP065MMF |                                |                                  | 10.50                          |        |        |        |         |         |        |        |         |                |        |          |        |       |        |        |        |       |       |        |       |       |       |  |
| 9                             | 2 1/2          | ZPS5208F    | 7 5/16    | 3/4    | 44.20          | ZP5208F     | 7 1/16   | 7/8                            | 38.20                            | 3 1/2                          | 9 3/4  | 2 3/4  | 13     | 4 7/8   | 5       | 3/4    | 1 3/8  | 4 1/16  | 1 1/2          |        |          |        |       |        |        |        |       |       |        |       |       |       |  |
|                               |                | 2 11/16     |           |        | ZPS5211F       | 43.40       |          |                                | ZP5211F                          |                                |        |        |        |         |         |        |        |         |                | 37.20  | 88.90    | 247.65 | 69.85 | 330.20 | 123.83 | 127.00 | 19.00 | 34.93 | 103.20 | 38.10 |       |       |  |
|                               |                | 2 15/16     |           |        | ZPS5215F       | 41.80       |          |                                | ZP5215F                          |                                |        |        |        |         |         |        |        |         |                | 35.10  |          |        |       |        |        |        |       |       |        |       |       |       |  |
|                               |                | 70.00       |           |        | ZPS070MMF      | 185.74      |          |                                | 19.05                            |                                |        |        |        |         |         |        |        |         |                | 19.70  | ZP070MMF | 170.39 | 22.23 | 16.90  |        |        |       |       |        |       |       |       |  |
|                               | 75.00          | ZPS075MMF   |           |        | 19.20          | ZP075MMF    |          |                                | 16.50                            |                                |        |        |        |         |         |        |        |         |                |        |          |        |       |        |        |        |       |       |        |       |       |       |  |
| 10                            | 3 3/16         | ZPS5303F    | 8 3/8     | 13/16  | 59.00          | ZP5303F     | 8 1/8    | 15/16                          | 52.00                            | 4                              | 11 1/2 | 3      | 15     | 5 5/16  | 5       | 3/4    | 1 1/2  | 4 29/32 | 1 1/2          |        |          |        |       |        |        |        |       |       |        |       |       |       |  |
|                               |                | 3 7/16      |           |        | ZPS5307F       | 57.00       |          |                                | ZP5307F                          |                                |        |        |        |         |         |        |        |         |                | 51.00  |          |        |       |        |        |        |       |       |        |       |       |       |  |

Continued...

Continued...

**Bearing Dimensions**

| Size Code                                 | Shaft Diameter | Expansion   |         |        | Fixed          |             |         | A<br>Base to Centerline Height | B<br>Distance Between Bolt Holes | G<br>Bolt Hole Spacing (Width) | C       | D       | E      | F      | H      | M     | S     |         |                |
|---|----------------|-------------|---------|--------|----------------|-------------|---------|--------------------------------|----------------------------------|--------------------------------|---------|---------|--------|--------|--------|-------|-------|---------|----------------|
|   |                | Part Number | L       | P      | Approx. Weight | Part Number | L       |                                |                                  |                                |         |         |        |        |        |       |       | P       | Approx. Weight |
| <b>Four-Bolt Pillow Block (continued)</b> |                |             |         |        |                |             |         |                                |                                  |                                |         |         |        |        |        |       |       |         |                |
| 10  | 80.00          | ZPS5080MMF  |         |        | 26.80          | ZP5080MMF   |         |                                | 23.50                            | 101.60                         | 292.10  | 76.20   | 381.00 | 134.94 | 127.00 | 19.00 | 38.10 | 124.62  | 38.10          |
|   | 85.00          | ZPS5085MMF  | 212.73  | 20.64  | 26.30          | ZP5085MMF   | 206.38  | 23.81                          | 23.00                            |                                |         |         |        |        |        |       |       |         |                |
|   | 90.00          | ZPS5090MMF  |         |        | 25.80          | ZP5090MMF   |         |                                | 22.50                            |                                |         |         |        |        |        |       |       |         |                |
| 11  | 3 11/16        | ZPS5311F    |         |        | 98.00          | ZP5311F     |         |                                | 86.00                            | 5                              | 13 1/4  | 3 1/2   | 16 3/4 | 6 1/8  | 6      | 7/8   | 1 1/2 | 5 5/8   | 1 1/2          |
|   | 3 15/16        | ZPS5315F    | 10 1/4  | 29/32  | 96.00          | ZP5315F     | 9 7/8   | 1 1/32                         | 84.00                            |                                |         |         |        |        |        |       |       |         |                |
|   | 4              | ZPS5400F    |         |        | 95.00          | ZP5400F     |         |                                | 83.00                            |                                |         |         |        |        |        |       |       |         |                |
|   | 100.00         | ZPS5100MMF  | 260.35  | 23.01  | 43.50          | ZP5100MMF   | 250.83  | 26.19                          | 38.00                            |                                |         |         |        |        |        |       |       |         |                |
| 12  | 4 3/16         | ZPS5403YF   |         |        | 122.00         | ZP5403YF    |         |                                | 110.00                           | 5 3/4                          | 14 3/4  | 4       | 18 1/2 | 6 1/4  | 6 3/4  | 1     | 1 3/4 | 6 3/16  | 1 13/16        |
|   | 4 7/16         | ZPS5407YF   | 11 5/8  | 7/8    | 119.00         | ZP5407YF    | 11 1/4  | 1 1/16                         | 108.00                           |                                |         |         |        |        |        |       |       |         |                |
|   | 4 1/2          | ZPS5408YF   |         |        | 118.00         | ZP5408YF    |         |                                | 107.00                           |                                |         |         |        |        |        |       |       |         |                |
|   | 110.00         | ZPS5110MMF  | 295.28  | 22.23  | 54.00          | ZP5110MMF   | 285.75  | 26.99                          | 49.00                            |                                |         |         |        |        |        |       |       |         |                |
|   | 115.00         | ZPS5115MMF  |         |        | 53.50          | ZP5115MMF   |         |                                | 48.50                            |                                |         |         |        |        |        |       |       |         |                |
| 13  | 4 15/16        | ZPS5415F    |         |        | 206.00         | ZP5415F     |         |                                | 171.00                           | 6 1/8                          | 16      | 4 1/4   | 20 1/4 | 7 7/8  | 7 1/2  | 1 1/8 | 1 7/8 | 7 1/16  | 2              |
|   | 5              | ZPS5500F    | 13 1/8  | 15/16  | 203.00         | ZP5500F     | 12 1/2  | 1 5/32                         | 168.00                           |                                |         |         |        |        |        |       |       |         |                |
|   | 125.00         | ZPS5125MMF  | 333.38  | 23.81  | 93.00          | ZP5125MMF   | 317.50  | 29.37                          | 78.00                            |                                |         |         |        |        |        |       |       |         |                |
|   | 130.00         | ZPS5130MMF  |         |        | 77.00          | ZP5130MMF   |         |                                | 92.00                            |                                |         |         |        |        |        |       |       |         |                |
| 14  | 5 7/16         | ZPS5507F    |         |        | 226.00         | ZP5507F     |         |                                | 211.00                           | 6 11/16                        | 18 5/16 | 3 11/16 | 22     | 8      | 6 1/4  | 1 1/8 | 2     | 8 3/16  | 2 1/16         |
|   | 140.00         | ZPS5140MMF  | 365.13  | 27.76  | 102.00         | ZP5140MMF   | 355.60  | 30.96                          | 96.00                            |                                |         |         |        |        |        |       |       |         |                |
|   | 140.00         | ZPS5140MMF  |         |        | 102.00         | ZP5140MMF   |         |                                | 96.00                            |                                |         |         |        |        |        |       |       |         |                |
| 15  | 5 15/16        | ZPS5515F    |         |        | 274.00         | ZP5515F     |         |                                | 255.00                           | 7 1/16                         | 20 1/2  | 4 3/16  | 24 3/4 | 8 1/8  | 6 3/4  | 1 1/8 | 2 1/8 | 8 5/8   | 2 1/4          |
|   | 6              | ZPS5600F    | 15 3/32 | 1 1/16 | 273.00         | ZP5600F     | 14 3/4  | 1 5/32                         | 254.00                           |                                |         |         |        |        |        |       |       |         |                |
|   | 150.00         | ZPS5150MMF  | 383.39  | 26.99  | 124.00         | ZP5150MMF   | 374.65  | 29.37                          | 115.00                           |                                |         |         |        |        |        |       |       |         |                |
|   | 160.00         | ZPS5160MMF  |         |        | 123.00         | ZP5160MMF   |         |                                | 114.00                           |                                |         |         |        |        |        |       |       |         |                |
| 16  | 6 7/16         | ZPS5607F    |         |        | 366.00         | ZP5607F     |         |                                | 339.00                           | 7 7/8                          | 23      | 4 7/16  | 28     | 8 3/4  | 7 1/2  | 1 1/4 | 2 3/8 | 9 23/32 | 2 5/16         |
|   | 6 15/16        | ZPS5615F    | 16 3/4  | 1 3/16 | 352.00         | ZP5615F     | 16 5/16 | 1 9/32                         | 328.00                           |                                |         |         |        |        |        |       |       |         |                |
|   | 7              | ZPS5700F    |         |        | 348.00         | ZP5700F     |         |                                | 326.00                           |                                |         |         |        |        |        |       |       |         |                |
|   | 180.00         | ZPS5180MMF  | 425.45  | 30.16  | 157.00         | ZP5180MMF   | 414.34  | 32.54                          | 148.00                           |                                |         |         |        |        |        |       |       |         |                |

**Additional Notes**

Please call 1-866-REXNORD for availability  
 Metric bore sizes available, see the Rex Interchangeability guide  
 Lubrication fitting tap size: for size code 4 thru 11, 1/8" PT; for all other size codes, 1/4" PT  
 Base to centerline tolerance, +/- .005 in (+/- 0.13 mm)  
 Bore size = nominal shaft size +.001 in/- .000 in (+0.03mm/-0.00mm)  
 Expansion - size code 4 thru 8 is 3/8", size code 9 thru 11 is 1/2" & size code 12 thru 16 is 3/4"

Seals - To specify K or M seal, replace "Z" in part number with "K" or "M"  
 "K" seals only available in size codes 4 thru 11  
 Auxiliary end caps - available in all sizes  
 For the Selection Guide, Load Ratings and Speed Limits, see the Rex Spherical Roller Bearings Engineering section  
 Note: Dimensions subject to change. Certified dimensions of ordered material furnished on request.

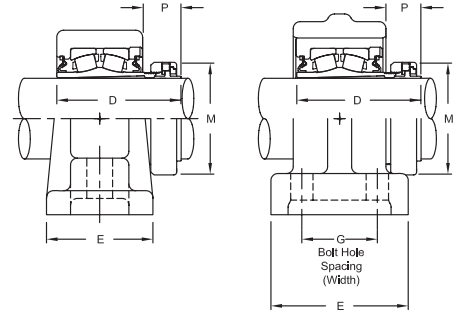
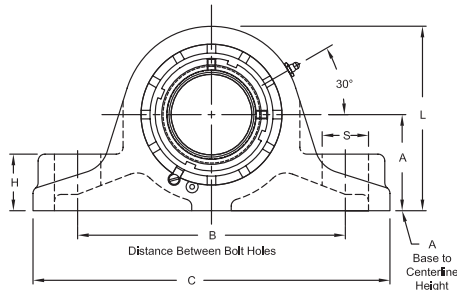
# ZP6000, ZPS6000



Photo Shows a 2-Bolt Spherical Roller Bearing Pillow Block Unit

## Product Features

- Spyglass™ Optical Strain Sensor (OSS) Technology
- Positive locking system
- Tapered adapter sleeve
- Corrosion-resistant powder coating
- Cast iron housing
- Misalignment capabilities - total of 4°
- Broad range of sealing options
- Factory set clearance & lubrication
- Precision ground & superfinished raceways
- See Features & Benefits for additional info.



Fixed

Floating

## Bearing Dimensions

| Size Code                     | Shaft Diameter | Expansion   |         |         |                | Fixed       |         |           |                | A<br>Base to Centerline Height | B<br>Distance Between Bolt Holes | G<br>Bolt Hole Spacing (Width) | C      | D       | E       | F     | H      | M       | S      |       |       |        |        |       |        |        |        |       |       |        |       |
|-------------------------------|----------------|-------------|---------|---------|----------------|-------------|---------|-----------|----------------|--------------------------------|----------------------------------|--------------------------------|--------|---------|---------|-------|--------|---------|--------|-------|-------|--------|--------|-------|--------|--------|--------|-------|-------|--------|-------|
|                               |                | Part Number | L       | P       | Approx. Weight | Part Number | L       | P         | Approx. Weight |                                |                                  |                                |        |         |         |       |        |         |        |       |       |        |        |       |        |        |        |       |       |        |       |
| <b>Two-Bolt Pillow Block</b>  |                |             |         |         |                |             |         |           |                |                                |                                  |                                |        |         |         |       |        |         |        |       |       |        |        |       |        |        |        |       |       |        |       |
| 4                             | 1 7/16         | ZPS6107     | 4 11/32 | 1 9/64  | 10.20          | ZP6107      | 3 11/16 | 1 9/64    | 7.60 lb        | 2 1/8                          | 5                                | -                              | 8 1/8  | 3 21/64 | 2 7/16  | 1/2   | 1 1/8  | 2 25/64 | 1 1/8  |       |       |        |        |       |        |        |        |       |       |        |       |
| 5                             | 1 11/16        | ZPS6111     | 4 13/16 | 1 9/32  | 15.10 lb       | ZP6111      | 4 7/16  | 1 9/32    | 11.00 lb       | 2 5/16                         | 5 1/2                            | -                              | 9      | 3 47/64 | 2 13/16 | 1/2   | 1 5/16 | 2 41/64 | 1 1/4  |       |       |        |        |       |        |        |        |       |       |        |       |
| 6                             | 1 15/16        | ZPS6115     | 4 15/16 | 1       | 16.10          | ZP6115      | 4 3/4   | 1 1/8     | 13.40          | 2 1/2                          | 7                                | -                              | 9 3/4  | 3 41/64 | 2 7/8   | 5/8   | 1 7/16 | 2 55/64 | 1 1/4  |       |       |        |        |       |        |        |        |       |       |        |       |
|                               | 45.00          | ZPS6045MM   | 125.41  | 25.40   | 16.10          | ZP6045MM    | 120.65  | 28.58     | 13.40          | 63.50                          | 177.80                           | -                              | 247.65 | 92.47   | 73.02   | 16.00 | 36.51  | 72.63   | 31.75  |       |       |        |        |       |        |        |        |       |       |        |       |
| 7                             | 2 3/16         | ZPS6203     | 5 23/32 | 1 1/32  | 21.80          | ZP6203      | 5 1/4   | 1 5/32    | 17.50          | 2 3/4                          | 7 1/2                            | -                              | 10 1/4 | 3 11/16 | 3 1/8   | 5/8   | 1 5/8  | 3 15/64 | 1 1/4  |       |       |        |        |       |        |        |        |       |       |        |       |
|                               | 55.00          | ZPS6055MM   | 145.24  | 26.19   | 9.80           | ZP6055MM    | 133.35  | 29.37     | 7.60           | 69.85                          | 190.50                           | -                              | 260.35 | 93.66   | 79.38   | 16.00 | 41.28  | 82.15   | 31.75  |       |       |        |        |       |        |        |        |       |       |        |       |
| 8                             | 2 3/8          | ZPS6206     | 6 3/16  | 1 19/64 | 25.90          | ZP6206      | 5 3/4   | 1 27/64   | 22.20          | 3                              | 8 1/4                            | -                              | 11 1/4 | 4 1/16  | 3 3/8   | 3/4   | 1 3/4  | 3 19/32 | 1 3/8  |       |       |        |        |       |        |        |        |       |       |        |       |
|                               | 2 7/16         | ZPS6207     |         | 24.90   | ZP6207         | 21.20       |         |           |                |                                |                                  |                                |        |         |         |       |        |         |        |       |       |        |        |       |        |        |        |       |       |        |       |
|                               | 60.00          | ZPS6060MM   | 157.16  | 32.94   | 11.70          | ZP6060MM    | 146.05  | 36.12     | 9.60           | 76.20                          | 209.55                           | -                              | 285.75 | 103.19  | 85.73   | 19.00 | 44.45  | 91.28   | 34.93  |       |       |        |        |       |        |        |        |       |       |        |       |
| 9                             | 2 11/16        | ZPS6211     | 7 3/16  | 1 17/64 | 43.40          | ZP6211      | 6 23/32 | 1 25/64   | 35.20          | 3 1/2                          | 9 3/4                            | -                              | 13     | 4 17/32 | 3 7/8   | 7/8   | 2 1/16 | 4 3/32  | 1 5/8  |       |       |        |        |       |        |        |        |       |       |        |       |
|                               | 2 3/4          | ZPS6212     |         | 42.40   | ZP6212         | 34.20       |         |           |                |                                |                                  |                                |        |         |         |       |        |         |        |       |       |        |        |       |        |        |        |       |       |        |       |
|                               | 2 15/16        | ZPS6215     |         | 42.50   | ZP6215         | 33.90       |         |           |                |                                |                                  |                                |        |         |         |       |        |         |        |       |       |        |        |       |        |        |        |       |       |        |       |
|                               | 70.00          | ZPS6070MM   |         | 182.56  | 32.16          | 19.20       |         | ZP6070MM  | 170.64         |                                |                                  |                                |        |         |         |       |        |         |        | 35.32 | 15.40 | 88.90  | 247.65 | -     | 330.20 | 115.09 | 98.43  | 22.00 | 52.39 | 103.98 | 41.28 |
|                               | 75.00          | ZPS6075MM   |         |         | 18.70          | ZP6075MM    |         |           | 15.00          |                                |                                  |                                |        |         |         |       |        |         |        |       |       |        |        |       |        |        |        |       |       |        |       |
| <b>Four-Bolt Pillow Block</b> |                |             |         |         |                |             |         |           |                |                                |                                  |                                |        |         |         |       |        |         |        |       |       |        |        |       |        |        |        |       |       |        |       |
| 6                             | 1 15/16        | ZPS6115F    | 5 5/32  | 1       | 17.70          | ZP6115F     | 5       | 1 1/8     | 15.80          | 2 1/2                          | 7                                | 2 1/4                          | 9 3/4  | 3 41/64 | 4       | 5/8   | 1      | 2 55/64 | 1 1/4  |       |       |        |        |       |        |        |        |       |       |        |       |
|                               | 45.00          | ZPS6045MMF  | 130.96  | 25.40   | 17.70          | ZP6045MMF   | 127.00  | 28.58     | 15.80          | 63.50                          | 177.80                           | 57.15                          | 247.65 | 92.47   | 101.60  | 16.00 | 25.40  | 72.63   | 31.75  |       |       |        |        |       |        |        |        |       |       |        |       |
| 7                             | 2 3/16         | ZPS6203F    | 5 23/32 | 1 1/32  | 22.10          | ZP6203F     | 5 1/2   | 1 5/32    | 19.60          | 2 3/4                          | 7 1/2                            | 2 1/4                          | 10 1/4 | 3 11/16 | 4 1/8   | 5/8   | 1      | 3 15/64 | 1 1/4  |       |       |        |        |       |        |        |        |       |       |        |       |
|                               | 55.00          | ZPS6055MMF  | 145.24  | 26.19   | 9.80           | ZP6055MMF   | 39.70   | 29.37     | 8.50           | 69.85                          | 190.50                           | 57.15                          | 260.35 | 93.66   | 104.78  | 16.00 | 25.40  | 82.15   | 31.75  |       |       |        |        |       |        |        |        |       |       |        |       |
| 8                             | 2 3/8          | ZPS6206F    | 6 7/32  | 1 19/64 | 28.40          | ZP6206F     | 6       | 1 27/64   | 25.40          | 3                              | 8 1/4                            | 2 5/8                          | 11 1/4 | 4 1/16  | 4 1/2   | 5/8   | 1 1/8  | 3 19/32 | 1 1/4  |       |       |        |        |       |        |        |        |       |       |        |       |
|                               | 2 7/16         | ZPS6207F    |         | 27.40   | ZP6207F        | 24.40       |         |           |                |                                |                                  |                                |        |         |         |       |        |         |        |       |       |        |        |       |        |        |        |       |       |        |       |
|                               | 60.00          | ZPS6060MMF  | 157.94  | 32.94   | 12.40          | ZP6060MMF   | 152.40  | 36.12     | 11.00          | 76.20                          | 209.55                           | 66.68                          | 285.75 | 103.19  | 114.30  | 16.00 | 28.58  | 91.28   | 31.75  |       |       |        |        |       |        |        |        |       |       |        |       |
| 9                             | 2 11/16        | ZPS6211F    | 7 5/16  | 1 17/64 | 44.20          | ZP6211F     | 7 1/16  | 1 25/64   | 38.20          | 3 1/2                          | 9 3/4                            | 2 3/4                          | 13     | 4 17/32 | 5       | 3/4   | 1 3/8  | 4 3/32  | 1 1/2  |       |       |        |        |       |        |        |        |       |       |        |       |
|                               | 2 3/4          | ZPS6212F    |         | 42.50   | ZP6212F        | 36.50       |         |           |                |                                |                                  |                                |        |         |         |       |        |         |        |       |       |        |        |       |        |        |        |       |       |        |       |
|                               | 2 15/16        | ZPS6215F    |         | 43.40   | ZP6215F        | 37.20       |         |           |                |                                |                                  |                                |        |         |         |       |        |         |        |       |       |        |        |       |        |        |        |       |       |        |       |
|                               | 70.00          | ZPS6070MMF  |         | 185.74  | 32.16          | 19.70       |         | ZP6070MMF | 170.39         |                                |                                  |                                |        |         |         |       |        |         |        | 35.32 | 16.90 | 88.90  | 247.65 | 69.85 | 330.20 | 115.09 | 127.00 | 19.00 | 34.93 | 103.98 | 38.10 |
|                               | 75.00          | ZPS6075MMF  |         |         | 19.20          | ZP6075MMF   |         |           | 16.50          |                                |                                  |                                |        |         |         |       |        |         |        |       |       |        |        |       |        |        |        |       |       |        |       |
| 10                            | 3 3/16         | ZPS6303F    | 8 3/8   | 1 15/32 | 59.00          | ZP6303F     | 8 1/8   | 1 19/32   | 52.00          | 4                              | 11 1/2                           | 3                              | 15     | 5 1/32  | 5       | 3/4   | 1 1/2  | 4 61/64 | 1 1/2  |       |       |        |        |       |        |        |        |       |       |        |       |
|                               | 3 7/16         | ZPS6307F    |         | 57.00   | ZP6307F        | 51.00       |         |           |                |                                |                                  |                                |        |         |         |       |        |         |        |       |       |        |        |       |        |        |        |       |       |        |       |
|                               | 80.00          | ZPS6080MMF  |         | 212.73  | 37.29          | 26.80       |         | ZP6080MMF | 206.38         |                                |                                  |                                |        |         |         |       |        |         |        | 40.48 | 23.50 | 101.60 | 292.10 | 76.20 | 381.00 | 127.79 | 127.00 | 19.00 | 38.10 | 125.81 | 38.10 |
|                               | 85.00          | ZPS6085MMF  |         |         |                | 26.30       |         | ZP6085MMF |                |                                |                                  |                                |        |         |         |       |        |         |        |       | 23.00 |        |        |       |        |        |        |       |       |        |       |
| 11                            | 3 11/16        | ZPS6311F    | 10 1/4  | 1 39/64 | 98.00          | ZP6311F     | 9 7/8   | 1 47/64   | 86.00          | 5                              | 13 1/4                           | 3 1/2                          | 16 3/4 | 5 25/32 | 6       | 7/8   | 1 1/2  | 5 43/64 | 1 1/2  |       |       |        |        |       |        |        |        |       |       |        |       |
|                               | 3 15/16        | ZPS6315F    |         | 96.00   | ZP6315F        | 84.00       |         |           |                |                                |                                  |                                |        |         |         |       |        |         |        |       |       |        |        |       |        |        |        |       |       |        |       |
|                               | 100.00         | ZPS6100MMF  | 260.35  | 40.87   | 43.50          | ZP6100MMF   | 250.83  | 44.05     | 38.00          | 127.00                         | 336.55                           | 88.90                          | 425.45 | 146.84  | 152.40  | 22.00 | 38.10  | 144.07  | 336.55 |       |       |        |        |       |        |        |        |       |       |        |       |

Continued...

Continued...

**Bearing Dimensions**

| Size Code                                 | Shaft Diameter | Expansion   |         |         |                | Fixed       |         |         |                | A<br>Base to Centerline Height | B<br>Distance Between Bolt Holes | G<br>Bolt Hole Spacing (Width) | C      | D       | E      | F     | H     | M       | S       |
|---|----------------|-------------|---------|---------|----------------|-------------|---------|---------|----------------|--------------------------------|----------------------------------|--------------------------------|--------|---------|--------|-------|-------|---------|---------|
|   |                | Part Number | L       | P       | Approx. Weight | Part Number | L       | P       | Approx. Weight |                                |                                  |                                |        |         |        |       |       |         |         |
| <b>Four-Bolt Pillow Block (continued)</b> |                |             |         |         |                |             |         |         |                |                                |                                  |                                |        |         |        |       |       |         |         |
| 12  | 4 3/16         | ZPS6403YF   | 11 5/8  | 1 3/4   | 122.00         | ZP6403YF    | 11 1/4  | 1 7/8   | 110.00         | 5 3/4                          | 14 3/4                           | 4                              | 18 1/2 | 6 1/4   | 6 3/4  | 1     | 1 3/4 | 6 1/16  | 1 13/16 |
|   | 4 7/16         | ZPS6407YF   |         |         | 119.00         | ZP6407YF    |         |         | 118.00         |                                |                                  |                                |        |         |        |       |       |         |         |
|   | 110.00         | ZPS6110MMF  | 295.28  | 44.45   | 54.00          | ZP6110MMF   | 285.75  | 47.63   | 49.00          | 146.05                         | 374.65                           | 101.60                         | 469.90 | 158.75  | 171.45 | 25.00 | 44.45 | 153.99  | 46.04   |
| 13  | 4 15/16        | ZPS6415F    | 13 1/8  | 2 1/64  | 206.00         | ZP6415F     | 12 1/2  | 2 1/4   | 171.00         | 6 1/8                          | 16                               | 4 1/4                          | 20 1/4 | 7 15/16 | 7 1/2  | 1 1/8 | 1 7/8 | 6 61/64 | 2       |
|   | 125.00         | ZPS6125MMF  | 333.38  | 51.20   | 93.00          | ZP6125MMF   | 317.50  | 57.15   | 78.00          | 155.58                         | 406.40                           | 107.95                         | 514.35 | 201.61  | 190.50 | 28.00 | 47.63 | 176.61  | 50.80   |
| 14  | 5 7/16         | ZPS6507F    | 14 3/8  | 2 15/16 | 226.00         | ZP6507F     | 14      | 3 3/64  | 211.00         | 6 11/16                        | 18 5/16                          | 3 11/16                        | -      | 8 49/64 | 6 1/4  | 1 1/8 | 2     | 8 1/64  | 2 1/16  |
| 15  | 5 15/16        | ZPS6515F    | 15 5/32 | 3 23/64 | 274.00         | ZP6515F     | 14 3/4  | 3 7/16  | 255.00         | 7 1/16                         | 20 1/2                           | 4 3/16                         | -      | 9 19/64 | 6 3/4  | 1 1/8 | 2 1/8 | 8 21/32 | 2 1/4   |
| 16  | 6 7/16         | ZPS6607F    | 16 3/4  | 3 37/64 | 366.00         | ZP6607F     | 16 5/16 | 3 43/64 | 339.00         | 7 7/8                          | 23                               | 4 7/16                         | -      | 10      | 7 1/2  | 1 1/4 | 2 3/8 | 9 3/4   | 2 5/16  |
|   | 6 15/16        | ZPS6615F    |         |         | 352.00         | ZP6615F     |         |         | 328.00         |                                |                                  |                                |        |         |        |       |       |         |         |

**Additional Notes**

Please call 1-866-REXNORD for availability  
 Metric bore sizes available, see the Rex Interchangeability guide  
 Lubrication fitting tap size: for size code 6 thru 11, 1/8" PT: for all other size codes, 1/4" PT  
 Base to centerline tolerance, +/-0.005 in (+/-0.13 mm)  
 Expansion - size code 6 thru 8 is 3/8", size code 9 thru 11 is 1/2" & size code 12 thru 13 is 3/4"  
 Seals - To specify K or M seal, replace "Z" in part number with "K" or "M"

"K" seals only available in size codes 6 thru 11  
 Auxiliary end caps - available in all sizes  
 For the Selection Guide, Load Ratings and Speed Limits, see the Rex Spherical Roller Bearings Engineering section  
 Note: Dimensions subject to change. Certified dimensions of ordered material furnished on request.

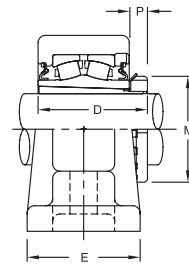
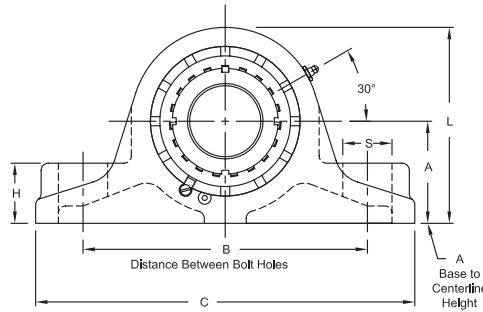
# ZP9000, ZPS9000



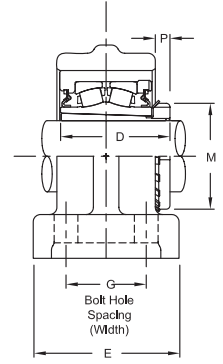
Photo Shows a 2-Bolt Spherical Roller Bearing Pillow Block Unit

## Product Features

- Corrosion-resistant powder coating
- Cast iron housing
- Misalignment capabilities - total of 4°
- Broad range of sealing options
- Factory set clearance & lubrication
- Precision ground & superfinished raceways
- Enhanced life mounting style
- Field interchangeable seals
- Fixed or Expansion - Up to 3/4" expansion
- See Features & Benefits for additional info.



Fixed



Floating

## Bearing Dimensions

| Size Code                     | Shaft Diameter | Expansion   |         |        |                | Fixed       |         |         |                | A<br>Base to Centerline Height | B<br>Distance Between Bolt Holes | G<br>Bolt Hole Spacing (Width) | C      | D       | E      | F<br>Bolts | H      | M       | S       |
|-------------------------------|----------------|-------------|---------|--------|----------------|-------------|---------|---------|----------------|--------------------------------|----------------------------------|--------------------------------|--------|---------|--------|------------|--------|---------|---------|
|                               |                | Part Number | L       | P      | Approx. Weight | Part Number | L       | P       | Approx. Weight |                                |                                  |                                |        |         |        |            |        |         |         |
| <b>Two-Bolt Pillow Block</b>  |                |             |         |        |                |             |         |         |                |                                |                                  |                                |        |         |        |            |        |         |         |
| 7                             | 1 15/16        | ZPS9115     | 5 23/32 | 1/2    | 20.50          | ZP9115      | 5 1/4   | 19/32   | 16.00          | 2 3/4                          | 7 1/2                            | -                              | 10 1/4 | 3 5/32  | 3 1/8  | 5/8        | 1 5/8  | 2 31/32 | 1 1/4   |
|                               | 2              | ZPS9200     |         |        | 20.30          | ZP9200      |         |         | 15.90          |                                |                                  |                                |        |         |        |            |        |         |         |
|                               | 45.00          | ZPS9045MM   | 145.24  | 12.70  | 9.30           | ZP9045MM    | 133.35  | 15.08   | 7.00           | 69.85                          | 190.50                           | -                              | 260.35 | 80.17   | 79.38  | 16.00      | 41.28  | 75.40   | 31.75   |
|                               | 50.00          | ZPS9050MM   |         |        | 9.10           | ZP9050MM    |         |         | 6.80           |                                |                                  |                                |        |         |        |            |        |         |         |
| 8                             | 2 3/16         | ZPS9203     | 6 3/16  | 19/32  | 24.80          | ZP9203      | 5 3/4   | 23/32   | 20.10          | 3                              | 8 1/4                            | -                              | 11 1/4 | 3 11/32 | 3 3/8  | 3/4        | 1 3/4  | 3 3/8   | 1 3/8   |
|                               | 55.00          | ZPS9055MM   | 157.16  | 15.09  | 11.20          | ZP9055MM    | 146.05  | 18.26   | 9.10           | 76.20                          | 209.55                           | -                              | 285.75 | 84.93   | 85.73  | 19.00      | 44.45  | 85.73   | 34.93   |
| 9                             | 2 7/16         | ZPS9207     | 7 3/16  | 19/32  | 40.60          | ZP9207      | 6 23/32 | 5/8     | 32.20          | 3 1/2                          | 9 3/4                            | -                              | 13     | 3 3/4   | 3 7/8  | 7/8        | 2 1/16 | 3 5/8   | 1 5/8   |
|                               | 2 1/2          | ZPS9208     |         |        | 40.50          | ZP9208      |         |         | 31.90          |                                |                                  |                                |        |         |        |            |        |         |         |
| <b>Four-Bolt Pillow Block</b> |                |             |         |        |                |             |         |         |                |                                |                                  |                                |        |         |        |            |        |         |         |
| 7                             | 1 15/16        | ZPS9115F    | 5 23/32 | 1/2    | 20.50          | ZP9115F     | 5 1/2   | 19/32   | 18.10          | 2 3/4                          | 7 1/2                            | 2 1/4                          | 10 1/4 | 3 5/32  | 4 1/8  | 5/8        | 1      | 2 31/32 | 1 1/4   |
|                               | 2              | ZPS9200F    |         |        | 20.30          | ZP9200F     |         |         | 17.90          |                                |                                  |                                |        |         |        |            |        |         |         |
|                               | 45.00          | ZPS9045MMF  | 145.24  | 12.70  | 9.30           | ZP9045MMF   | 139.70  | 15.08   | 8.20           | 69.85                          | 190.50                           | 57.15                          | 260.35 | 80.17   | 104.78 | 16.00      | 25.40  | 75.40   | 31.75   |
|                               | 50.00          | ZPS9050MMF  |         |        | 9.10           | ZP9050MMF   |         |         | 8.00           |                                |                                  |                                |        |         |        |            |        |         |         |
| 8                             | 2 3/16         | ZPS9203F    | 6 7/32  | 19/32  | 26.70          | ZP9203F     | 6       | 23/32   | 22.80          | 3                              | 8 1/4                            | 2 5/8                          | 11 1/4 | 3 11/32 | 4 1/2  | 5/8        | 1 1/8  | 3 3/8   | 1 1/4   |
|                               | 55.00          | ZPS9055MMF  | 157.94  | 15.09  | 12.10          | ZP9055MMF   | 152.40  | 18.26   | 10.30          | 76.20                          | 209.55                           | 66.68                          | 285.75 | 84.93   | 114.30 | 16.00      | 28.58  | 85.73   | 31.75   |
| 9                             | 2 7/16         | ZPS9207F    | 7 5/16  | 19/32  | 41.80          | ZP9207F     | 7 1/16  | 5/8     | 35.40          | 3 1/2                          | 9 3/4                            | 2 3/4                          | 13     | 3 3/4   | 5      | 3/4        | 1 3/8  | 3 5/8   | 1 1/2   |
|                               | 2 1/2          | ZPS9208F    |         |        | 41.70          | ZP9208F     |         |         | 34.60          |                                |                                  |                                |        |         |        |            |        |         |         |
| 10                            | 2 11/16        | ZPS9211F    | 8 3/8   | 11/16  | 56.00          | ZP9211F     | 8 1/8   | 13/16   | 51.20          | 4                              | 11 1/2                           | 3                              | 15     | 4 1/4   | 5      | 3/4        | 1 1/2  | 4 13/32 | 1 1/2   |
|                               | 2 15/16        | ZPS9215F    |         |        | 55.00          | ZP9215F     |         |         | 50.00          |                                |                                  |                                |        |         |        |            |        |         |         |
|                               | 75.00          | ZPS9075MMF  | 212.73  | 17.47  | 25.00          | ZP9075MMF   | 206.38  | 20.64   | 23.00          | 101.60                         | 292.10                           | 76.20                          | 381.00 | 107.95  | 127.00 | 19.00      | 38.10  | 111.92  | 38.10   |
|                               | 3 3/16         | ZPS9303F    | 10 1/4  | 13/16  | 95.00          | ZP9303F     | 9 7/8   | 15/16   | 83.00          | 5                              | 13 1/4                           | 3 1/2                          | 16 3/4 | 5       | 6      | 7/8        | 1 1/2  | 5 3/16  | 1 1/2   |
| 3 7/16                        | ZPS9307F       | 93.00       |         |        | ZP9307F        | 81.00       |         |         |                |                                |                                  |                                |        |         |        |            |        |         |         |
| 80.00                         | ZPS9080MMF     | 260.35      | 20.64   | 42.00  | ZP9080MMF      | 250.83      | 23.81   | 36.70   | 127.00         | 336.55                         | 88.90                            | 425.45                         | 127.00 | 152.40  | 22.00  | 38.10      | 131.76 | 336.55  |         |
| 12                            | 3 11/16        | ZPS9311YF   | 11 5/8  | 29/32  | 121.00         | ZP9311YF    | 11 1/4  | 1 1/32  | 110.00         | 5 3/4                          | 14 3/4                           | 4                              | 18 1/2 | 5 17/32 | 6 3/4  | 1          | 1 3/4  | 5 23/32 | 1 13/16 |
|                               | 3 15/16        | ZPS9315YF   |         |        | 119.00         | ZP9315YF    |         |         | 108.00         |                                |                                  |                                |        |         |        |            |        |         |         |
|                               | 4              | ZPS9400YF   |         |        | 118.00         | ZP9400YF    |         |         | 107.00         |                                |                                  |                                |        |         |        |            |        |         |         |
| 100.00                        | ZPS9100MMF     | 295.28      | 23.01   | 53.00  | ZP9100MMF      | 285.75      | 23.01   | 49.00   | 146.05         | 374.65                         | 101.60                           | 469.90                         | 140.49 | 171.45  | 25.00  | 44.45      | 145.26 | 46.04   |         |
| 13                            | 4 3/16         | ZPS9403F    | 13 1/8  | 29/32  | 204.00         | ZP9403F     | 12 1/2  | 1 1/8   | 174.00         | 6 1/8                          | 16                               | 4 1/4                          | 20 1/4 | 6 3/4   | 7 1/2  | 1 1/8      | 1 7/8  | 6 1/8   | 2       |
|                               | 4 7/16         | ZPS9407F    |         |        | 202.00         | ZP9407F     |         |         | 168.00         |                                |                                  |                                |        |         |        |            |        |         |         |
| 14                            | 4 15/16        | ZPS9415F    | 14 3/8  | 1 5/32 | 222.00         | ZP9415F     | 14      | 1 1/8   | 202.00         | 6 11/16                        | 18 5/16                          | 3 11/16                        | 22     | 7 1/16  | 6 1/4  | 1 1/8      | 2      | 7 3/32  | 2 1/16  |
|                               | 5              | ZPS9500F    |         |        | 220.00         | ZP9500F     |         |         | 201.00         |                                |                                  |                                |        |         |        |            |        |         |         |
|                               | 5 3/16         | ZPS9503F    |         |        | 273.00         | ZP9503F     |         |         | 254.00         |                                |                                  |                                |        |         |        |            |        |         |         |
| 15                            | 5 7/16         | ZPS9507F    | 15 3/32 | 1 3/4  | 269.00         | ZP9507F     | 14 3/4  | 1 11/16 | 250.00         | 7 1/16                         | 20 1/2                           | 4 3/16                         | 24 3/4 | 7 5/16  | 6 3/4  | 1 1/8      | 2 1/8  | 8 1/16  | 2 1/16  |
|                               | 5 15/16        | ZPS9515F    |         |        | 350.00         | ZP9515F     |         |         | 328.00         |                                |                                  |                                |        |         |        |            |        |         |         |
| 16                            | 6              | ZPS9600F    | 16 3/4  | 1 3/4  | 349.00         | ZP9600F     | 16 5/16 | 1 11/16 | 327.00         | 7 7/8                          | 23                               | 4 7/16                         | 28     | 7 3/4   | 7 1/2  | 1 1/4      | 2 3/8  | 9 1/16  | 2 5/16  |
|                               | 6 7/16         | ZPS9607F    |         |        | 342.00         | ZP9607F     |         |         | 320.00         |                                |                                  |                                |        |         |        |            |        |         |         |

## Additional Notes

- Please call 1-866-REXNORD for availability
- Lubrication fitting tap size: for size code 7 thru 11, 1/8" PT: for all other size codes, 1/4" PT
- Base to centerline tolerance, +/- .005 in (+/- 0.13 mm)
- Expansion - size code 7 thru 8 is 3/8", size code 9 thru 11 is 1/2" & size code 12 thru 16 is 3/4"
- Seals - To specify K or M seal, replace "Z" in part number with "K" or "M"
- "K" seals only available in size codes 7 thru 11

- Auxiliary end caps - available in all sizes
- For the Selection Guide, Load Ratings and Speed Limits, see the Rex Spherical Roller Bearings Engineering section
- Note: Dimensions subject to change. Certified dimensions of ordered material furnished on request.

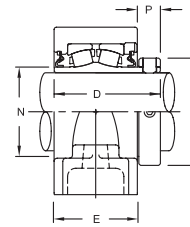
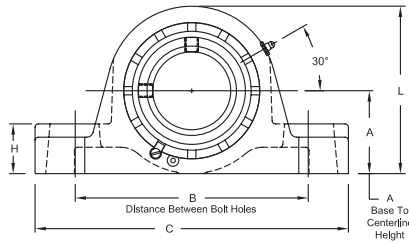
# ZEP2000, ZEPS2000



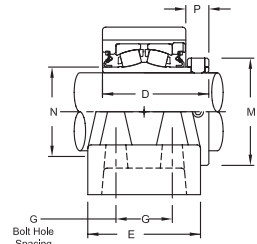
Photo Shows a 2-Bolt Spherical Roller Bearing Pillow Block Unit

## Product Features

- Corrosion-resistant powder coating
- Cast iron housing
- Misalignment capabilities - total of 4°
- Broad range of sealing options
- Factory set clearance & lubrication
- Precision ground & superfinished raceways
- Hardened spring locking collar
- Field interchangeable seals
- See Features & Benefits for additional info.



Fixed



Expansion

## Bearing Dimensions

| Size Code                    | Shaft Diameter | Expansion   |             | Fixed |         | A<br>Base To<br>Centerline<br>Height | B Distance<br>Between Bolt<br>Holes |          | G<br>Bolt Hole<br>Spacing<br>(Width) | C       | D     | E      | F<br>Bolts | H       | L       | M     | N   | P | Approx.<br>Weight |
|------------------------------|----------------|-------------|-------------|-------|---------|--------------------------------------|-------------------------------------|----------|--------------------------------------|---------|-------|--------|------------|---------|---------|-------|-----|---|-------------------|
|                              |                | Part Number | Part Number | Min.  | Max.    |                                      |                                     |          |                                      |         |       |        |            |         |         |       |     |   |                   |
| <b>Two-Bolt Pillow Block</b> |                |             |             |       |         |                                      |                                     |          |                                      |         |       |        |            |         |         |       |     |   |                   |
| 3                            | 1 1/8          | -           | ZEP2102     | 1 1/2 | 4 7/16  | 5                                    | -                                   | 6 3/8    | 2 11/16                              | 2 1/8   | 1/2   | 7/8    | 3 1/4      | 1 31/32 | 1 17/32 | 9/16  |     |   | 5.80              |
|                              | 1 3/16         | -           | ZEP2103     |       |         |                                      |                                     |          |                                      |         |       |        |            |         |         |       |     |   | 5.70              |
|                              | 1 1/4          | -           | ZEP2104     |       |         |                                      |                                     |          |                                      |         |       |        |            |         |         |       |     |   | 5.70              |
|                              | 30.00          | -           | ZEP2030MM   | 38.10 | 112.71  | 127.00                               | -                                   | 161.93   | 68.26                                | 53.98   | 13.00 | 22.23  | 82.55      | 50.00   | 38.890  | 14.29 |     |   | 2.60              |
| 4                            | 1 7/16         | ZEPS2107    | ZEP2107     | 1 7/8 | 4 3/4   | 6                                    | -                                   | 7 3/8    | 2 7/8                                | 2 1/4   | 1/2   | 1 1/8  | 3 7/8      | 2 5/16  | 1 3/4   | 11/16 |     |   | 6.90              |
|                              | 1 1/2          | -           | ZEP2108     | 2 1/8 | 5 1/4   | 6 1/2                                |                                     | 7 7/8    |                                      |         |       | 4 3/8  | 9.50       |         |         |       |     |   |                   |
|                              | 35.00          | ZEPS2035MM  | ZEP2035MM   | 47.63 | 120.65  | 152.40                               |                                     | -        |                                      |         |       | 187.33 | 73.02      |         |         |       |     |   | 57.15             |
| 5                            | 1 11/16        | ZEPS2111    | ZEP2111     | 2 1/8 | 5 1/4   | 6 1/2                                | -                                   | 7 7/8    | 3 1/8                                | 2 1/2   | 1/2   | 1 1/4  | 4 3/8      | 2 19/32 | 2 1/32  | 11/16 |     |   | 9.90              |
|                              | 1 3/4          | -           | ZEP2112     | 2 1/4 | 6 1/16  | 7 1/4                                |                                     | 8 7/8    |                                      |         |       | 4 9/16 | 11.80      |         |         |       |     |   |                   |
|                              | 40.00          | ZEPS2040MM  | ZEP2040MM   | 53.98 | 133.35  | 165.10                               |                                     | -        |                                      |         |       | 200.03 | 79.38      |         |         |       |     |   | 63.50             |
|                              | 45.00          | ZEPS2045MM  | ZEP2045MM   | 57.15 | 153.99  | 184.15                               | -                                   | 225.43   |                                      |         | 16.00 | 33.34  | 115.89     |         |         |       |     |   | 5.40              |
| 6                            | 1 15/16        | ZEPS2115    | ZEP2115     | 2 1/4 | 6 1/16  | 7 1/4                                | -                                   | 8 7/8    | 3 1/8                                | 2 1/2   | 5/8   | 1 5/16 | 4 9/16     | 2 7/8   | 2 5/16  | 11/16 |     |   | 11.50             |
|                              | 2              | ZEPS2200    | ZEP2200     |       |         |                                      |                                     |          |                                      |         |       |        |            |         |         |       |     |   | 11.40             |
|                              | 50.00          | ZEPS2050MM  | ZEP2050MM   |       |         |                                      |                                     |          |                                      |         |       |        |            |         |         |       |     |   | 57.15             |
| 7                            | 2 3/16         | ZEPS2203    | ZEP2203     | 2 1/2 | 6 9/16  | 8                                    | -                                   | 9 5/8    | 3 5/16                               | 2 9/16  | 5/8   | 1 1/2  | 5          | 3 1/4   | 2 5/8   | 13/16 | 7/8 |   | 14.80             |
|                              | 2 1/4          | -           | ZEP2204     | 2 3/4 | 6 15/16 | 8 3/4                                |                                     | 10 1/2   |                                      |         |       | 5 7/16 | 18.60      |         |         |       |     |   |                   |
|                              | 55.00          | ZEPS2055MM  | ZEP2055MM   | 63.50 | 166.69  | 203.20                               |                                     | -        |                                      |         |       | 244.48 | 84.14      |         |         |       |     |   | 65.09             |
| 8                            | 2 3/8          | ZEPS2206    | ZEP2206     | 2 3/4 | 6 15/16 | 8 3/4                                | -                                   | 10 1/2   | 3 1/2                                | 2 11/16 | 5/8   | 1 5/8  | 5 1/2      | 3 9/16  | 2 29/32 | 7/8   |     |   | 18.30             |
|                              | 2 7/16         | ZEPS2207    | ZEP2207     |       |         |                                      |                                     |          |                                      |         |       |        |            |         |         |       |     |   | 18.20             |
|                              | 2 1/2          | ZEPS2208    | ZEP2208     |       |         |                                      |                                     |          |                                      |         |       |        |            |         |         |       |     |   | 17.90             |
|                              | 60.00          | ZEPS2060MM  | ZEP2060MM   | 69.85 | 176.21  | 222.25                               | -                                   | 266.70   | 88.90                                | 68.26   | 16.00 | 41.28  | 139.70     | 90.50   | 73.820  | 22.23 |     |   | 8.30              |
|                              | 65.00          | ZEPS2065MM  | ZEP2065MM   |       |         |                                      |                                     |          |                                      |         |       |        |            |         |         |       |     |   | 8.10              |
| 9                            | 2 11/16        | ZEPS2211    | ZEP2211     | 3 1/8 | 7 13/16 | 9 3/4                                | -                                   | 11 13/16 | 4                                    | 3 3/16  | 3/4   | 1 7/8  | 6 5/16     | 4 1/16  | 3 3/8   | 7/8   |     |   | 29.30             |
|                              | 2 3/4          | ZEPS2212    | ZEP2212     |       |         |                                      |                                     |          |                                      |         |       |        |            |         |         |       |     |   | 28.80             |
|                              | 2 15/16        | ZEPS2215    | ZEP2215     |       |         |                                      |                                     |          |                                      |         |       |        |            |         |         |       |     |   | 27.70             |
|                              | 3              | ZEPS2300    | ZEP2300     |       |         |                                      |                                     |          |                                      |         |       |        |            |         |         |       |     |   | 27.50             |
|                              | 70.00          | ZEPS2070MM  | ZEP2070MM   | 79.38 | 198.44  | 247.65                               | -                                   | 300.04   | 101.60                               | 80.96   | 19.00 | 47.63  | 160.34     | 103.20  | 85.730  | 22.23 |     |   | 13.00             |
|                              | 75.00          | ZEPS2075MM  | ZEP2075MM   |       |         |                                      |                                     |          |                                      |         |       |        |            |         |         |       |     |   | 12.60             |
| 10                           | 3 3/16         | ZEPS2303    | ZEP2303     | 3 3/4 | 9 5/16  | 11 5/16                              | -                                   | 13 13/16 | 4 3/8                                | 3 1/2   | 7/8   | 2 1/4  | 7 1/2      | 4 29/32 | 3 31/32 | 15/16 |     |   | 44.50             |
|                              | 3 7/16         | ZEPS2307    | ZEP2307     |       |         |                                      |                                     |          |                                      |         |       |        |            |         |         |       |     |   | 42.50             |
|                              | 3 1/2          | ZEPS2308    | ZEP2308     |       |         |                                      |                                     |          |                                      |         |       |        |            |         |         |       |     |   | 42.00             |
|                              | 80.00          | ZEPS2080MM  | ZEP2080MM   |       |         |                                      |                                     |          |                                      |         |       |        |            |         |         |       |     |   | 20.40             |
|                              | 85.00          | ZEPS2085MM  | ZEP2085MM   | 95.25 | 236.54  | 287.34                               | -                                   | 350.84   | 111.13                               | 88.90   | 22.00 | 57.15  | 190.50     | 124.62  | 100.790 | 23.81 |     |   | 19.40             |
|                              | 90.00          | ZEPS2090MM  | ZEP2090MM   |       |         |                                      |                                     |          |                                      |         |       |        |            |         |         |       |     |   | 18.90             |

Continued...

Continued...

## Bearing Dimensions

| Size Code                     | Shaft Diameter                  | Expansion          |                   | Fixed                         |                                 | A<br>Base to<br>Centerline<br>Height | B Distance<br>Between Bolt<br>Holes |                                  | G<br>Bolt Hole<br>Spacing<br>(Width) | C                             | D     | E                             | F<br>Bolts                     | H                               | L                               | M                              | N | P     | Approx.<br>Weight |
|-------------------------------|---------------------------------|--------------------|-------------------|-------------------------------|---------------------------------|--------------------------------------|-------------------------------------|----------------------------------|--------------------------------------|-------------------------------|-------|-------------------------------|--------------------------------|---------------------------------|---------------------------------|--------------------------------|---|-------|-------------------|
|                               |                                 | Part Number        | Part Number       | Min.                          | Max.                            |                                      |                                     |                                  |                                      |                               |       |                               |                                |                                 |                                 |                                |   |       |                   |
| <b>Four-Bolt Pillow Block</b> |                                 |                    |                   |                               |                                 |                                      |                                     |                                  |                                      |                               |       |                               |                                |                                 |                                 |                                |   |       |                   |
| 8                             | 2 <sup>3</sup> / <sub>8</sub>   | ZEPS2206F          | ZEP2206F          | 2 <sup>3</sup> / <sub>4</sub> | 6 <sup>15</sup> / <sub>16</sub> | 8 <sup>3</sup> / <sub>4</sub>        | 1 <sup>7</sup> / <sub>8</sub>       | 10 <sup>1</sup> / <sub>2</sub>   | 3 <sup>1</sup> / <sub>2</sub>        | 3 <sup>5</sup> / <sub>8</sub> | 5/8   | 1 <sup>5</sup> / <sub>8</sub> | 5 <sup>1</sup> / <sub>2</sub>  | 3 <sup>9</sup> / <sub>16</sub>  | 2 <sup>29</sup> / <sub>32</sub> | 7/8                            |   |       | 18.40             |
|                               | 2 <sup>7</sup> / <sub>16</sub>  | ZEPS2207F          | ZEP2207F          |                               |                                 |                                      |                                     |                                  |                                      |                               |       |                               |                                |                                 |                                 |                                |   |       | 18.30             |
|                               | 2 <sup>1</sup> / <sub>2</sub>   | ZEPS2208F          | ZEP2208F          |                               |                                 |                                      |                                     |                                  |                                      |                               |       |                               |                                |                                 |                                 |                                |   |       | 18.00             |
|                               | 60.00                           | <i>ZEPS2060MMF</i> | <i>ZEP2060MMF</i> |                               |                                 |                                      |                                     |                                  |                                      |                               |       |                               |                                |                                 |                                 |                                |   |       | 69.85             |
| 65.00                         | <i>ZEPS2065MMF</i>              | <i>ZEP2065MMF</i>  |                   |                               |                                 |                                      |                                     |                                  |                                      |                               |       |                               |                                |                                 |                                 |                                |   | 8.20  |                   |
| 9                             | 2 <sup>11</sup> / <sub>16</sub> | ZEPS2211F          | ZEP2211F          | 3 <sup>1</sup> / <sub>8</sub> | 7 <sup>13</sup> / <sub>16</sub> | 9 <sup>7</sup> / <sub>8</sub>        | 2 <sup>1</sup> / <sub>8</sub>       | 11 <sup>13</sup> / <sub>16</sub> | 4                                    | 4 <sup>1</sup> / <sub>4</sub> | 5/8   | 1 <sup>7</sup> / <sub>8</sub> | 6 <sup>5</sup> / <sub>16</sub> | 4 <sup>1</sup> / <sub>16</sub>  | 3 <sup>3</sup> / <sub>8</sub>   | 7/8                            |   |       | 28.50             |
|                               | 2 <sup>3</sup> / <sub>4</sub>   | ZEPS2212F          | ZEP2212F          |                               |                                 |                                      |                                     |                                  |                                      |                               |       |                               |                                |                                 |                                 |                                |   |       | 28.30             |
|                               | 2 <sup>15</sup> / <sub>16</sub> | ZEPS2215F          | ZEP2215F          |                               |                                 |                                      |                                     |                                  |                                      |                               |       |                               |                                |                                 |                                 |                                |   |       | 27.30             |
|                               | 3                               | ZEPS2300F          | ZEP2300F          |                               |                                 |                                      |                                     |                                  |                                      |                               |       |                               |                                |                                 |                                 |                                |   |       | 27.00             |
| 70.00                         | <i>ZEPS2070MMF</i>              | <i>ZEP2070MMF</i>  | 79.38             | 198.44                        | 250.83                          | 53.98                                | 300.04                              | 101.60                           | 107.95                               | 16.00                         | 47.63 | 160.34                        | 103.20                         | 85.730                          | 22.23                           | 12.90                          |   |       |                   |
| 75.00                         | <i>ZEPS2075MMF</i>              | <i>ZEP2075MMF</i>  |                   |                               |                                 |                                      |                                     |                                  |                                      |                               |       |                               |                                |                                 |                                 |                                |   | 12.50 |                   |
| 10                            | 3 <sup>3</sup> / <sub>16</sub>  | ZEPS2303F          | ZEP2303F          | 3 <sup>3</sup> / <sub>4</sub> | 9 <sup>5</sup> / <sub>16</sub>  | 11 <sup>5</sup> / <sub>16</sub>      | 2 <sup>3</sup> / <sub>8</sub>       | 13 <sup>13</sup> / <sub>16</sub> | 4 <sup>3</sup> / <sub>8</sub>        | 4 <sup>3</sup> / <sub>4</sub> | 3/4   | 2 <sup>1</sup> / <sub>4</sub> | 7 <sup>1</sup> / <sub>2</sub>  | 4 <sup>29</sup> / <sub>32</sub> | 3 <sup>31</sup> / <sub>32</sub> | 15/16                          |   |       | 45.00             |
|                               | 3 <sup>7</sup> / <sub>16</sub>  | ZEPS2307F          | ZEP2307F          |                               |                                 |                                      |                                     |                                  |                                      |                               |       |                               |                                |                                 |                                 |                                |   |       | 43.00             |
|                               | 3 <sup>1</sup> / <sub>2</sub>   | ZEPS2308F          | ZEP2308F          |                               |                                 |                                      |                                     |                                  |                                      |                               |       |                               |                                |                                 |                                 |                                |   |       | 42.50             |
|                               | 80.00                           | <i>ZEPS2080MMF</i> | <i>ZEP2080MMF</i> |                               |                                 |                                      |                                     |                                  |                                      |                               |       |                               |                                |                                 |                                 |                                |   |       | 95.25             |
| 85.00                         | <i>ZEPS2085MMF</i>              | <i>ZEP2085MMF</i>  |                   |                               |                                 |                                      |                                     |                                  |                                      |                               |       |                               |                                |                                 |                                 |                                |   | 19.50 |                   |
| 90.00                         | <i>ZEPS2090MMF</i>              | <i>ZEP2090MMF</i>  |                   |                               |                                 |                                      |                                     |                                  |                                      |                               |       |                               |                                |                                 |                                 |                                |   | 19.00 |                   |
| 11                            | 3 <sup>11</sup> / <sub>16</sub> | ZEPS2311F          | ZEP2311F          | 4 <sup>1</sup> / <sub>4</sub> | 12                              | 13                                   | 2 <sup>1</sup> / <sub>4</sub>       | 15 <sup>1</sup> / <sub>4</sub>   | 5 <sup>1</sup> / <sub>16</sub>       | 4 <sup>1</sup> / <sub>2</sub> | 3/4   | 2 <sup>5</sup> / <sub>8</sub> | 8 <sup>5</sup> / <sub>8</sub>  | 5 <sup>5</sup> / <sub>8</sub>   | 4 <sup>9</sup> / <sub>16</sub>  | 1 <sup>1</sup> / <sub>32</sub> |   |       | 63.00             |
|                               | 3 <sup>15</sup> / <sub>16</sub> | ZEPS2315F          | ZEP2315F          |                               |                                 |                                      |                                     |                                  |                                      |                               |       |                               |                                |                                 |                                 |                                |   |       | 61.00             |
|                               | 4                               | ZEPS2400F          | ZEP2400F          |                               |                                 |                                      |                                     |                                  |                                      |                               |       |                               |                                |                                 |                                 |                                |   |       | 60.00             |
|                               | 100.00                          | <i>ZEPS2100MMF</i> | <i>ZEP2100MMF</i> |                               |                                 |                                      |                                     |                                  |                                      |                               |       |                               |                                |                                 |                                 |                                |   |       | 107.95            |

## Additional Notes

Please call 1-866-REXNORD for availability  
 Metric bore sizes available, see the Rex Interchangeability guide  
 Lubrication fitting tap size, 1/8" PT  
 Base to centerline tolerance, +/- .005 in (+/- 0.13 mm)  
 Bore size = nominal shaft size + .001 in / -.000 in (+0.03mm/-0.00mm)  
 Seals - To specify K or M seal, replace "Z" in part number with "K" or "M"  
 Auxiliary end caps - available in all size codes except for size code 3 and all expansion units

For the Selection Guide, Load Ratings and Speed Limits, see the Rex Spherical Roller Bearings Engineering section  
 Note: Dimensions subject to change. Certified dimensions of ordered material furnished on request.

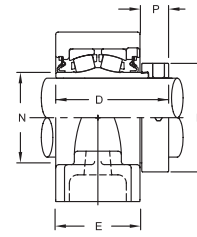
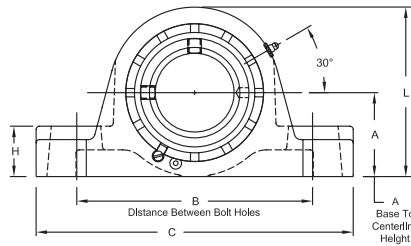
## ZEP3000, ZEPS3000



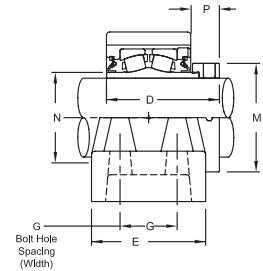
Photo Shows a 2-Bolt Spherical Roller Bearing Pillow Block Unit

### Product Features

- Corrosion-resistant powder coating
- Cast iron housing
- Misalignment capabilities - total of 4°
- Broad range of sealing options
- Factory set clearance & lubrication
- Precision ground & superfinished raceways
- Eccentric locking collar
- Field interchangeable seals
- See Features & Benefits for additional info.



Fixed



Expansion

### Bearing Dimensions

| Size Code                     | Shaft Diameter | Expansion   |             | Fixed |         | A<br>Base to<br>Centerline<br>Height | B Min.<br>Distance<br>Between<br>Bolt Holes | B Max.<br>Distance<br>Between<br>Bolt Holes | G<br>Bolt Hole<br>Spacing<br>(Width) | C       | D   | E      | F<br>Bolts | H       | L       | M      | N | P | Approx.<br>Weight |
|-------------------------------|----------------|-------------|-------------|-------|---------|--------------------------------------|---|---|--------------------------------------|---------|-----|--------|------------|---------|---------|--------|---|---|-------------------|
|                               |                | Part Number | Part Number |       |         |                                      |   |   |                                      |         |     |        |            |         |         |        |   |   |                   |
| <b>Two-Bolt Pillow Block</b>  |                |             |             |       |         |                                      |   |   |                                      |         |     |        |            |         |         |        |   |   |                   |
| 4                             | 1 7/16         | ZEPS3107    | ZEP3107     | 1 7/8 | 4 3/4   | 6                                    | -   | 7 3/8                                       | 2 59/64                              | 2 1/4   | 1/2 | 1 1/8  | 3 7/8      | 2 5/16  | 1 3/4   | 25/32  |   |   | 7.10              |
| 5                             | 1 11/16        | ZEPS3111    | ZEP3111     | 2 1/8 | 5 1/4   | 6 1/2                                | -   | 7 7/8                                       | 3 3/16                               | 2 1/2   | 1/2 | 1 1/4  | 4 3/8      | 2 5/8   | 2 1/32  | 3/4    |   |   | 10.10             |
| 6                             | 1 15/16        | ZEPS3115    | ZEP3115     | 2 1/4 | 6 1/16  | 7 1/4                                | -   | 8 7/8                                       | 3 9/32                               | 2 1/2   | 5/8 | 1 5/16 | 4 9/16     | 2 3/4   | 2 5/16  | 27/32  |   |   | 11.70             |
| 7                             | 2 3/16         | ZEPS3203    | ZEP3203     | 2 1/2 | 6 9/16  | 8                                    | -   | 9 5/8                                       | 3 1/2                                | 2 9/16  | 5/8 | 1 1/2  | 5          | 3 1/4   | 2 5/8   | 31/32  |   |   | 15.10             |
| 8                             | 2 7/16         | ZEPS3207    | ZEP3207     | 2 3/4 | 6 15/16 | 8 3/4                                | -   | 10 1/2                                      | 3 21/32                              | 2 11/16 | 5/8 | 1 5/8  | 5 1/2      | 3 9/16  | 2 29/32 | 1 1/64 |   |   | 18.40             |
|                               | 2 1/2          | ZEPS3208    | ZEP3208     |       |         |                                      |   |   |                                      |         |     |        |            |         |         |        |   |   | 18.10             |
| 9                             | 2 11/16        | ZEPS3211    | ZEP3211     | 3 1/8 | 7 13/16 | 9 3/4                                | -   | 11 13/16                                    | 4 13/64                              | 3 3/16  | 3/4 | 1 7/8  | 6 5/16     | 4 1/16  | 3 3/8   | 1 1/64 |   |   | 29.50             |
|                               | 2 15/16        | ZEPS3215    | ZEP3215     |       |         |                                      |   |   |                                      |         |     |        |            |         |         |        |   |   | 28.10             |
| 10                            | 3 7/16         | ZEPS3307    | ZEP3307     | 3 3/4 | 9 5/16  | 11 5/16                              | -   | 13 13/16                                    | 4 37/64                              | 3 1/2   | 7/8 | 2 1/4  | 7 1/2      | 4 15/16 | 3 31/32 | 1 9/64 |   |   | 43.10             |
|                               | 3 1/2          | ZEPS3308    | ZEP3308     |       |         |                                      |   |   |                                      |         |     |        |            |         |         |        |   |   | 42.20             |
| <b>Four-Bolt Pillow Block</b> |                |             |             |       |         |                                      |   |   |                                      |         |     |        |            |         |         |        |   |   |                   |
| 8                             | 2 7/16         | ZEPS3207F   | ZEP3207F    | 2 3/4 | 6 15/16 | 8 3/4                                | 1 7/8                                       | 10 1/2                                      | 3 21/32                              | 3 5/8   | 5/8 | 1 5/8  | 5 1/2      | 3 9/16  | 2 29/32 | 1 1/64 |   |   | 18.50             |
|                               | 2 1/2          | ZEPS3208F   | ZEP3208F    |       |         |                                      |   |   |                                      |         |     |        |            |         |         |        |   |   | 18.20             |
| 9                             | 2 11/16        | ZEPS3211F   | ZEP3211F    | 3 1/8 | 7 13/16 | 9 7/8                                | 2 1/8                                       | 11 13/16                                    | 4 13/64                              | 4 1/4   | 5/8 | 1 7/8  | 6 5/16     | 4 1/16  | 3 3/8   | 1 1/64 |   |   | 28.70             |
|                               | 2 15/16        | ZEPS3215F   | ZEP3215F    |       |         |                                      |   |   |                                      |         |     |        |            |         |         |        |   |   | 27.70             |
| 10                            | 3 7/16         | ZEPS3307F   | ZEP3307F    | 3 3/4 | 9 5/16  | 11 5/16                              | 2 3/8                                       | 13 13/16                                    | 4 37/64                              | 4 3/4   | 3/4 | 2 1/4  | 7 1/2      | 4 15/16 | 3 31/32 | 1 9/64 |   |   | 43.60             |
|                               | 3 1/2          | ZEPS3308F   | ZEP3308F    |       |         |                                      |   |   |                                      |         |     |        |            |         |         |        |   |   | 42.70             |
| 11                            | 3 15/16        | ZEPS3315F   | ZEP3315F    | 4 1/4 | 12      | 13                                   | 2 1/4                                       | 15 1/4                                      | 5 3/16                               | 4 1/2   | 3/4 | 2 5/8  | 8 5/8      | 5 5/8   | 4 9/16  | 1 1/16 |   |   | 61.00             |

### Additional Notes

- Please call 1-866-REXNORD for availability
- Lubrication fitting tap size, 1/8" PT
- Base to centerline tolerance, +/- .005 in (+/- 0.13 mm)
- Bore size = nominal shaft size +.001 in/- .000 in (+0.03mm/-0.00mm)
- Seals - To specify K or M seal, replace "Z" in part number with "K" or "M"
- Auxiliary end caps - available in all size codes, except expansion units
- For the Selection Guide, Load Ratings and Speed Limits, see the Rex Spherical Roller Bearings Engineering section

Note: Dimensions subject to change. Certified dimensions of ordered material furnished on request.



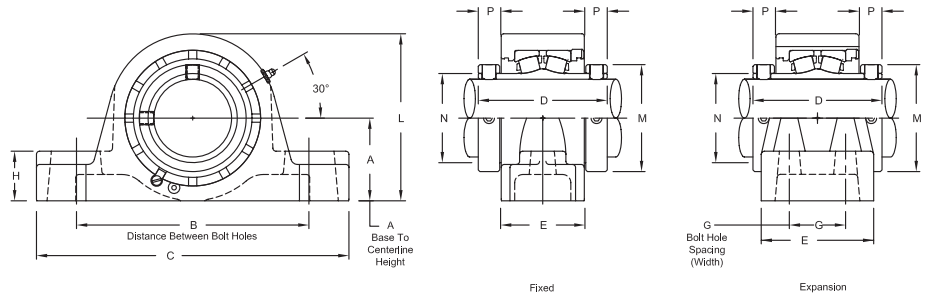
# ZEP5000, ZEPS5000



Photo Shows a 2-Bolt Spherical Roller Bearing Pillow Block Unit

## Product Features

- Corrosion-resistant powder coating
- Cast iron housing
- Misalignment capabilities - total of 4°
- Broad range of sealing options
- Factory set clearance & lubrication
- Precision ground & superfinished raceways
- Two hardened spring locking collars
- Field interchangeable seals
- See Features & Benefits for additional info.



## Bearing Dimensions

| Size Code                     | Shaft Diameter | Expansion   |             | Fixed |         | A<br>Base to<br>Centerline<br>Height | B Distance<br>Between Bolt<br>Holes |          | G<br>Bolt Hole<br>Spacing<br>(Width) | C       | D     | E      | F<br>Bolts | H       | L       | M      | N     | P     | Approx.<br>Weight |
|-------------------------------|----------------|-------------|-------------|-------|---------|--------------------------------------|-------------------------------------|----------|--------------------------------------|---------|-------|--------|------------|---------|---------|--------|-------|-------|-------------------|
|                               |                | Part Number | Part Number | Min.  | Max.    |                                      |                                     |          |                                      |         |       |        |            |         |         |        |       |       |                   |
| <b>Two-Bolt Pillow Block</b>  |                |             |             |       |         |                                      |                                     |          |                                      |         |       |        |            |         |         |        |       |       |                   |
| 4                             | 1 7/16         | ZEPS5107    | ZEP5107     | 1 7/8 | 4 3/4   | 6                                    | -                                   | 7 3/8    | 3 9/16                               | 2 1/4   | 1/2   | 1 1/8  | 3 7/8      | 2 5/16  | 1 3/4   | 1 1/16 | 7.40  |       |                   |
|                               | 35.00          | ZEPS5035MM  | ZEP5035MM   | 47.63 | 120.65  | 152.40                               | -                                   | 187.33   | 90.49                                | 57.15   | 13.00 | 28.58  | 98.43      | 58.74   | 44.450  | 17.46  | 3.40  |       |                   |
| 5                             | 1 1/2          | ZEPS5108    | ZEP5108     | 2 1/8 | 5 1/4   | 6 1/2                                | -                                   | 7 7/8    | 3 13/16                              | 2 1/2   | 1/2   | 1 1/4  | 4 3/8      | 2 19/32 | 2 1/32  | 1 1/16 | 10.90 |       |                   |
|                               | 1 11/16        | ZEPS5111    | ZEP5111     | 53.98 | 133.35  | 165.10                               | -                                   | 200.03   | 96.84                                | 63.50   | 13.00 | 31.75  | 111.13     | 65.88   | 51.590  | 17.46  | 4.90  |       |                   |
|                               | 40.00          | ZEPS5040MM  | ZEP5040MM   |       |         |                                      |                                     |          |                                      |         |       |        |            |         |         |        |       |       |                   |
| 45.00                         | ZEPS5045MM     | ZEP5045MM   |             |       |         |                                      |                                     |          |                                      |         |       |        |            |         |         |        |       |       |                   |
| 6                             | 1 15/16        | ZEPS5115    | ZEP5115     | 2 1/4 | 6 1/16  | 7 1/4                                | -                                   | 8 7/8    | 3 13/16                              | 2 1/2   | 5/8   | 1 5/16 | 4 9/16     | 2 7/8   | 2 5/16  | 1 1/16 | 12.10 |       |                   |
|                               | 2              | ZEPS8200    | ZEP8200     | 57.15 | 153.99  | 184.15                               | -                                   | 225.43   | 96.84                                | 63.50   | 16.00 | 33.34  | 115.89     | 73.03   | 58.740  | 17.46  | 5.50  |       |                   |
| 7                             | 2              | ZEPS5200    | ZEP5200     | 2 1/2 | 6 9/16  | 8                                    | -                                   | 9 5/8    | 4 1/8                                | 2 9/16  | 5/8   | 1 1/2  | 5          | 3 1/4   | 2 5/8   | 1 3/16 | 16.50 |       |                   |
|                               | 2 3/16         | ZEPS5203    | ZEP5203     |       |         |                                      |                                     |          |                                      |         |       |        |            |         |         |        |       |       |                   |
|                               | 55.00          | ZEPS5055MM  | ZEP5055MM   | 63.50 | 166.69  | 203.20                               | -                                   | 244.48   | 104.78                               | 65.09   | 16.00 | 38.10  | 127.00     | 82.60   | 66.680  | 20.64  | 7.20  |       |                   |
| 8                             | 2 7/16         | ZEPS5207    | ZEP5207     | 2 3/4 | 6 15/16 | 8 3/4                                | -                                   | 10 1/2   | 4 3/8                                | 2 11/16 | 5/8   | 1 5/8  | 5 1/2      | 3 9/16  | 2 29/32 | 7/8    | 19.30 |       |                   |
|                               | 60.00          | ZEPS5060MM  | ZEP5060MM   | 69.85 | 176.21  | 222.25                               | -                                   | 266.70   | 111.13                               | 68.26   | 16.00 | 41.28  | 139.70     | 90.50   | 73.820  | 22.23  | 8.70  |       |                   |
|                               | 65.00          | ZEPS5065MM  | ZEP5065MM   |       |         |                                      |                                     |          |                                      |         |       |        |            |         |         |        |       |       |                   |
| 9                             | 2 1/2          | ZEPS5208    | ZEP5208     | 3 1/8 | 7 13/16 | 9 3/4                                | -                                   | 11 13/16 | 4 7/8                                | 3 3/16  | 3/4   | 1 7/8  | 6 5/16     | 4 1/16  | 3 3/8   | 7/8    | 31.50 |       |                   |
|                               | 2 11/16        | ZEPS5211    | ZEP5211     |       |         |                                      |                                     |          |                                      |         |       |        |            |         |         |        |       |       |                   |
|                               | 2 3/4          | ZEPS5212    | ZEP5212     |       |         |                                      |                                     |          |                                      |         |       |        |            |         |         |        |       |       |                   |
|                               | 2 15/16        | ZEPS5215    | ZEP5215     |       |         |                                      |                                     |          |                                      |         |       |        |            |         |         |        |       |       |                   |
|                               | 70.00          | ZEPS5070MM  | ZEP5070MM   |       |         |                                      |                                     |          |                                      |         |       |        |            |         |         |        |       | 79.38 | 198.44            |
| 75.00                         | ZEPS5075MM     | ZEP5075MM   | 13.50       |       |         |                                      |                                     |          |                                      |         |       |        |            |         |         |        |       |       |                   |
| 10                            | 3 3/16         | ZEPS5303    | ZEP5303     | 3 3/4 | 9 5/16  | 11 5/16                              | -                                   | 13 13/16 | 5 5/16                               | 3 1/2   | 7/8   | 2 1/4  | 7 1/2      | 4 29/32 | 3 31/32 | 1 5/16 | 47.10 |       |                   |
|                               | 3 7/16         | ZEPS5307    | ZEP5307     |       |         |                                      |                                     |          |                                      |         |       |        |            |         |         |        |       |       |                   |
|                               | 80.00          | ZEPS5080MM  | ZEP5080MM   | 95.25 | 236.54  | 287.34                               | -                                   | 350.84   | 134.94                               | 88.90   | 22.00 | 57.15  | 190.50     | 124.62  | 100.790 | 23.81  | 20.30 |       |                   |
|                               | 85.00          | ZEPS5085MM  | ZEP5085MM   |       |         |                                      |                                     |          |                                      |         |       |        |            |         |         |        |       |       |                   |
| 90.00                         | ZEPS5090MM     | ZEP5090MM   | 20.00       |       |         |                                      |                                     |          |                                      |         |       |        |            |         |         |        |       |       |                   |
| <b>Four-Bolt Pillow Block</b> |                |             |             |       |         |                                      |                                     |          |                                      |         |       |        |            |         |         |        |       |       |                   |
| 8                             | 2 7/16         | ZEPS5207F   | ZEP5207F    | 2 3/4 | 6 15/16 | 8 3/4                                | 1 7/8                               | 10 1/2   | 4 3/8                                | 3 5/8   | 5/8   | 1 5/8  | 5 1/2      | 3 9/16  | 2 29/32 | 7/8    | 19.40 |       |                   |
|                               | 60.00          | ZEPS5060MMF | ZEP5060MMF  | 69.85 | 176.21  | 222.25                               | 47.63                               | 266.70   | 111.13                               | 92.08   | 16.00 | 41.28  | 139.70     | 90.50   | 73.820  | 22.23  | 8.80  |       |                   |
|                               | 65.00          | ZEPS5065MMF | ZEP5065MMF  |       |         |                                      |                                     |          |                                      |         |       |        |            |         |         |        |       |       |                   |
| 9                             | 2 1/2          | ZEPS5208F   | ZEP5208F    | 3 1/8 | 7 13/16 | 9 7/8                                | 2 1/8                               | 11 13/16 | 4 7/8                                | 4 1/4   | 5/8   | 1 7/8  | 6 5/16     | 4 1/16  | 3 3/8   | 7/8    | 31.00 |       |                   |
|                               | 2 11/16        | ZEPS5211F   | ZEP5211F    |       |         |                                      |                                     |          |                                      |         |       |        |            |         |         |        |       |       |                   |
|                               | 2 3/4          | ZEPS5212F   | ZEP5212F    |       |         |                                      |                                     |          |                                      |         |       |        |            |         |         |        |       |       |                   |

Continued...

Continued...

**Bearing Dimensions**

| Size Code                                 | Shaft Diameter | Expansion   |             | Fixed  |         | A<br>Base to<br>Centerline<br>Height | B Distance<br>Between Bolt<br>Holes |          | G<br>Bolt Hole<br>Spacing<br>(Width) | C      | D     | E     | F<br>Bolts | H       | L       | M      | N | P | Approx.<br>Weight |
|---|----------------|-------------|-------------|--------|---------|--------------------------------------|-------------------------------------|----------|--------------------------------------|--------|-------|-------|------------|---------|---------|--------|---|---|-------------------|
|   |                | Part Number | Part Number | Min.   | Max.    |                                      |                                     |          |                                      |        |       |       |            |         |         |        |   |   |                   |
|   |                |             |             |        |         |                                      |                                     |          |                                      |        |       |       |            |         |         |        |   |   |                   |
| <b>Four-Bolt Pillow Block (continued)</b> |                |             |             |        |         |                                      |                                     |          |                                      |        |       |       |            |         |         |        |   |   |                   |
| 9   | 2 15/16        | ZEPS5215F   | ZEP5215F    | 3 1/8  | 7 13/16 | 9 7/8                                | 2 1/8                               | 11 13/16 | 4 7/8                                | 4 1/4  | 5/8   | 1 7/8 | 6 5/16     | 4 1/16  | 3 3/8   | 7/8    |   |   | 29.70             |
|   | 70.00          | ZEPS5070MMF | ZEP5070MMF  |        |         |                                      |                                     |          |                                      |        |       |       |            |         |         |        |   |   | 13.40             |
|   | 75.00          | ZEPS5075MMF | ZEP5075MMF  | 79.38  | 198.44  | 250.83                               | 53.98                               | 300.04   | 123.83                               | 107.95 | 16.00 | 47.63 | 160.34     | 103.20  | 85.730  | 22.23  |   |   | 13.20             |
| 10  | 3 3/16         | ZEPS5303F   | ZEP5303F    | 3 3/4  | 9 5/16  | 11 5/16                              | 2 3/8                               | 13 13/16 | 5 5/16                               | 4 3/4  | 3/4   | 2 1/4 | 7 1/2      | 4 29/32 | 3 31/32 | 15/16  |   |   | 47.60             |
|   | 3 7/16         | ZEPS5307F   | ZEP5307F    |        |         |                                      |                                     |          |                                      |        |       |       |            |         |         |        |   |   | 45.20             |
|   | 80.00          | ZEPS5080MMF | ZEP5080MMF  |        |         |                                      |                                     |          |                                      |        |       |       |            |         |         |        |   |   | 21.60             |
|   | 85.00          | ZEPS5085MMF | ZEP5085MMF  | 95.25  | 236.54  | 287.34                               | 60.33                               | 350.84   | 134.94                               | 120.65 | 19.00 | 57.15 | 190.50     | 124.62  | 100.790 | 23.81  |   |   | 20.50             |
|   | 90.00          | ZEPS5090MMF | ZEP5090MMF  |        |         |                                      |                                     |          |                                      |        |       |       |            |         |         |        |   |   |                   |
| 11  | 3 11/16        | ZEPS5311F   | ZEP5311F    |        |         |                                      |                                     |          |                                      |        |       |       |            |         |         |        |   |   | 65.50             |
|   | 3 15/16        | ZEPS5315F   | ZEP5315F    | 4 1/4  | 12      | 13                                   | 2 1/4                               | 15 1/4   | 6 1/8                                | 4 1/2  | 3/4   | 2 5/8 | 8 5/8      | 5 5/8   | 4 9/16  | 1 1/32 |   |   | 64.80             |
|   | 4              | ZEPS5400F   | ZEP5400F    |        |         |                                      |                                     |          |                                      |        |       |       |            |         |         |        |   |   | 63.50             |
|   | 100.00         | ZEPS5100MMF | ZEP5100MMF  | 107.95 | 304.80  | 330.20                               | 57.15                               | 387.35   | 155.58                               | 114.30 | 19.00 | 66.68 | 219.08     | 142.90  | 115.890 | 26.19  |   |   | 30.00             |
| 12  | 4 3/16         | ZEPS5403YF  | ZEP5403YF   |        |         |                                      |                                     |          |                                      |        |       |       |            |         |         |        |   |   | 81.00             |
|   | 4 7/16         | ZEPS5407YF  | ZEP5407YF   | 4 3/4  | 12 7/8  | 14 1/8                               | 2 1/2                               | 16 1/2   | 6 1/4                                | 4 5/8  | 3/4   | 2 3/4 | 9 3/8      | 6 3/16  | 5 1/32  | 1 1/16 |   |   | 78.00             |
|   | 4 1/2          | ZEPS5408YF  | ZEP5408YF   |        |         |                                      |                                     |          |                                      |        |       |       |            |         |         |        |   |   | 76.00             |
|   | 110.00         | ZEPS5110MMF | ZEP5110MMF  | 120.65 | 327.03  | 358.78                               | 63.50                               | 419.10   | 158.75                               | 117.48 | 19.00 | 69.85 | 238.13     | 157.16  | 127.790 | 26.99  |   |   | 35.40             |
|   | 115.00         | ZEPS5115MMF | ZEP5115MMF  |        |         |                                      |                                     |          |                                      |        |       |       |            |         |         |        |   |   | 34.50             |
| 13  | 4 15/16        | ZEPS5415F   | ZEP5415F    | 5 1/2  | 14 7/8  | 16 1/8                               | 2 3/4                               | 18 1/2   | 7 7/8                                | 5 9/16 | 7/8   | 3     | 11 1/8     | 7 1/16  | 5 3/4   | 1 5/32 |   |   | 150.00            |
|   | 5              | ZEPS5500F   | ZEP5500F    |        |         |                                      |                                     |          |                                      |        |       |       |            |         |         |        |   |   | 147.00            |
|   | 125.00         | ZEPS5125MMF | ZEP5125MMF  | 139.70 | 377.83  | 409.58                               | 69.85                               | 469.90   | 200.03                               | 141.29 | 22.00 | 76.20 | 282.58     | 179.39  | 146.050 | 29.37  |   |   | 68.00             |
|   | 130.00         | ZEPS5130MMF | ZEP5130MMF  |        |         |                                      |                                     |          |                                      |        |       |       |            |         |         |        |   |   | 66.70             |

**Additional Notes**

Please call 1-866-REXNORD for availability  
 Metric bore sizes available, see the Rex Interchangeability guide  
 Lubrication fitting tap size: for size code 4 thru 11, 1/8" PT; for all other size codes, 1/4" PT  
 Base to centerline tolerance, +/- .005 in (+/- 0.13 mm)  
 Bore size = nominal shaft size +.001 in/- .000 in (+0.03mm/-0.00mm)  
 Seals - To specify K or M seal, replace "Z" in part number with "K" or "M"  
 "K" seals only available in size codes 4 thru 11

Auxiliary end caps - available in all size codes, expect expansion units  
 For the Selection Guide, Load Ratings and Speed Limits, see the Rex Spherical Roller Bearings Engineering section  
 Note: Dimensions subject to change. Certified dimensions of ordered material furnished on request.

# ZEP6000, ZEPS6000

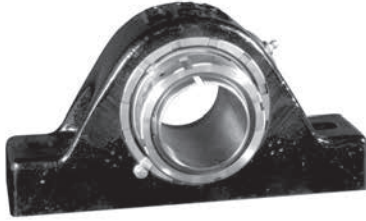
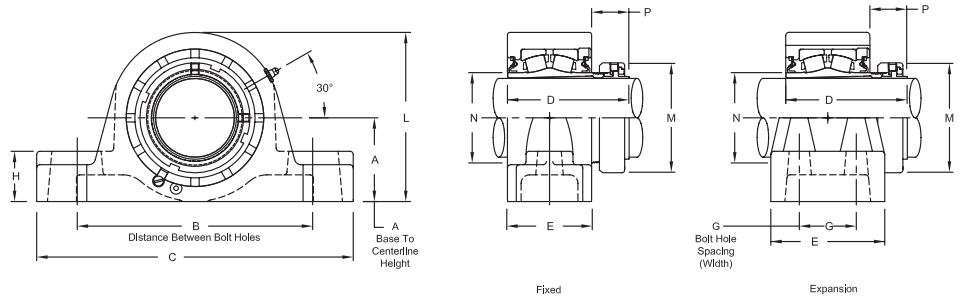


Photo Shows a 2-Bolt Spherical Roller Bearing Pillow Block Unit

## Product Features

- Spyglass™ Optical Strain Sensor (OSS) Technology
- Positive locking system
- Tapered adapter sleeve
- Corrosion-resistant powder coating
- Cast iron housing
- Misalignment capabilities - total of 4°
- Broad range of sealing options
- Factory set clearance & lubrication
- Precision ground & superfinished raceways
- See Features & Benefits for additional info.



## Bearing Dimensions

| Size Code                     | Shaft Diameter | Expansion   |             | Fixed  |         | A Base to Centerline Height | B Distance Between Bolt Holes |          | G Bolt Hole Spacing (Width) | C       | D      | E      | F Bolts | H       | L       | M       | N      | P      | Approx. Weight |
|-------------------------------|----------------|-------------|-------------|--------|---------|-----------------------------|-------------------------------|----------|-----------------------------|---------|--------|--------|---------|---------|---------|---------|--------|--------|----------------|
|                               |                | Part Number | Part Number | Min.   | Max.    |                             |                               |          |                             |         |        |        |         |         |         |         |        |        |                |
| <b>Two-Bolt Pillow Block</b>  |                |             |             |        |         |                             |                               |          |                             |         |        |        |         |         |         |         |        |        |                |
| 4                             | 1 7/16         | ZEPS6107    | ZEP6107     | 1 7/8  | 4 3/4   | 6                           | -                             | 7 3/8    | 3 21/64                     | 2 1/4   | 1/2    | 1 1/8  | 3 7/8   | 2 25/64 | 1 3/4   | 1 9/64  | 6.90   |        |                |
| 5                             | 1 11/16        | ZEPS6111    | ZEP6111     | 2 1/8  | 5 1/4   | 6 1/4                       | -                             | 7 7/8    | 3 47/64                     | 2 1/2   |        | 1 1/4  | 4 3/8   | 2 41/64 | 2 1/32  | 1 9/32  | 10.50  |        |                |
| 6                             | 1 15/16        | ZEPS6115    | ZEP6115     | 2 1/4  | 6 1/16  | 7 1/4                       | -                             | 8 7/8    | 3 41/64                     | 5/8     | 1 5/16 | 4 9/16 | 2 55/64 | 2 5/16  | 1 1/8   | 12.10   |        |        |                |
|                               | 45.00          | ZEPS6045MM  | ZEP6045MM   | 57.15  | 153.99  | 184.15                      | -                             | 225.43   | 92.47                       |         | 63.50  | 16.00  | 33.34   | 115.89  | 72.63   | 58.740  | 28.58  | 5.50   |                |
| 7                             | 2 3/16         | ZEPS6203    | ZEP6203     | 2 1/2  | 6 9/16  | 8                           | -                             | 9 5/8    | 3 11/16                     | 2 9/16  | 5/8    | 1 1/2  | 5       | 3 15/64 | 2 5/8   | 1 9/32  | 16.50  |        |                |
|                               | 55.00          | ZEPS6055MM  | ZEP6055MM   | 63.50  | 166.69  | 203.20                      | -                             | 244.48   | 93.66                       | 65.09   | 16.00  | 38.10  | 127.00  | 82.15   | 66.680  | 29.37   | 7.20   |        |                |
| 8                             | 2 3/8          | ZEPS6206    | ZEP6206     | 2 3/4  | 6 15/16 | 8 3/4                       | -                             | 10 1/2   | 4 1/16                      | 2 11/16 | 5/8    | 1 5/8  | 5 1/2   | 3 19/32 | 2 29/32 | 1 27/64 | 19.30  |        |                |
|                               | 2 7/16         | ZEPS6207    | ZEP6207     |        |         |                             |                               |          |                             |         |        |        |         |         |         |         | 18.50  |        |                |
|                               | 60.00          | ZEPS6060MM  | ZEP6060MM   |        |         |                             |                               |          |                             |         |        |        |         |         |         |         | 69.85  | 176.21 | 222.25         |
| 9                             | 2 11/16        | ZEPS6211    | ZEP6211     | 3 1/8  | 7 13/16 | 9 3/4                       | -                             | 11 13/16 | 4 17/32                     | 3 3/16  | 3/4    | 1 7/8  | 6 5/16  | 4 3/32  | 3 3/8   | 1 25/64 | 31.50  |        |                |
|                               | 2 3/4          | ZEPS6212    | ZEP6212     |        |         |                             |                               |          |                             |         |        |        |         |         |         |         | 31.00  |        |                |
|                               | 2 15/16        | ZEPS6215    | ZEP6215     |        |         |                             |                               |          |                             |         |        |        |         |         |         |         | 28.70  |        |                |
|                               | 70.00          | ZEPS6070MM  | ZEP6070MM   |        |         |                             |                               |          |                             |         |        |        |         |         |         |         | 79.38  | 198.44 | 247.65         |
| 75.00                         | ZEPS6075MM     | ZEP6075MM   | 79.38       | 198.44 | 247.65  | -                           | 300.04                        | 115.09   | 80.96                       | 19.00   | 47.63  | 160.34 | 103.98  | 85.730  | 35.32   | 13.50   |        |        |                |
| 10                            | 3 3/16         | ZEPS6303    | ZEP6303     | 3 3/4  | 9 5/16  | 11 5/16                     | -                             | 13 13/16 | 5 1/32                      | 3 1/2   | 7/8    | 2 1/4  | 7 1/2   | 4 61/64 | 3 31/32 | 1 19/32 | 47.10  |        |                |
|                               | 3 7/16         | ZEPS6307    | ZEP6307     |        |         |                             |                               |          |                             |         |        |        |         |         |         |         | 44.70  |        |                |
|                               | 80.00          | ZEPS6080MM  | ZEP6080MM   |        |         |                             |                               |          |                             |         |        |        |         |         |         |         | 95.25  | 236.54 | 287.34         |
| <b>Four-Bolt Pillow Block</b> |                |             |             |        |         |                             |                               |          |                             |         |        |        |         |         |         |         |        |        |                |
| 8                             | 2 3/8          | ZEPS6206F   | ZEP6206F    | 2 3/4  | 6 15/16 | 8 3/4                       | 1 7/8                         | 10 1/2   | 4 1/16                      | 3 5/8   | 5/8    | 1 5/8  | 5 1/2   | 3 19/32 | 2 29/32 | 1 27/64 | 19.40  |        |                |
|                               | 2 7/16         | ZEPS6207F   | ZEP6207F    |        |         |                             |                               |          |                             |         |        |        |         |         |         |         | 18.30  |        |                |
|                               | 60.00          | ZEPS6060MMF | ZEP6060MMF  |        |         |                             |                               |          |                             |         |        |        |         |         |         |         | 69.85  | 176.21 | 222.25         |
| 9                             | 2 11/16        | ZEPS6211F   | ZEP6211F    | 3 1/8  | 7 13/16 | 9 7/8                       | 2 1/8                         | 11 13/16 | 4 17/32                     | 4 1/4   | 5/8    | 1 7/8  | 6 5/16  | 4 3/32  | 3 3/8   | 1 25/64 | 31.00  |        |                |
|                               | 2 3/4          | ZEPS6212F   | ZEP6212F    |        |         |                             |                               |          |                             |         |        |        |         |         |         |         | 30.50  |        |                |
|                               | 2 15/16        | ZEPS6215F   | ZEP6215F    |        |         |                             |                               |          |                             |         |        |        |         |         |         |         | 28.20  |        |                |
|                               | 70.00          | ZEPS6070MMF | ZEP6070MMF  |        |         |                             |                               |          |                             |         |        |        |         |         |         |         | 79.38  | 198.44 | 250.83         |
| 75.00                         | ZEPS6075MMF    | ZEP6075MMF  | 79.38       | 198.44 | 250.83  | 53.98                       | 300.04                        | 115.09   | 107.95                      | 16.00   | 47.63  | 160.34 | 103.98  | 85.730  | 35.32   | 13.20   |        |        |                |
| 10                            | 3 3/16         | ZEPS6303F   | ZEP6303F    | 3 3/4  | 9 5/16  | 11 5/16                     | 2 3/8                         | 13 13/16 | 5 1/32                      | 4 3/4   | 3/4    | 2 1/4  | 7 1/2   | 4 61/64 | 3 31/32 | 1 19/32 | 47.60  |        |                |
|                               | 3 7/16         | ZEPS6307F   | ZEP6307F    |        |         |                             |                               |          |                             |         |        |        |         |         |         |         | 45.20  |        |                |
|                               | 80.00          | ZEPS6080MMF | ZEP6080MMF  |        |         |                             |                               |          |                             |         |        |        |         |         |         |         | 95.25  | 236.54 | 287.34         |
| 85.00                         | ZEPS6085MMF    | ZEP6085MMF  | 95.25       | 236.54 | 287.34  | 60.33                       | 350.84                        | 127.79   | 120.65                      | 19.00   | 57.15  | 190.50 | 125.81  | 100.790 | 40.48   | 20.50   |        |        |                |
| 11                            | 3 11/16        | ZEPS6311F   | ZEP6311F    | 4 1/4  | 12      | 13                          | 2 1/4                         | 15 1/4   | 5 25/32                     | 4 1/2   | 3/4    | 2 5/8  | 8 5/8   | 5 43/64 | 4 9/16  | 1 47/64 | 65.50  |        |                |
|                               | 3 15/16        | ZEPS6315F   | ZEP6315F    |        |         |                             |                               |          |                             |         |        |        |         |         |         |         | 64.80  |        |                |
| 100.00                        | ZEPS6100MMF    | ZEP6100MMF  | 107.95      | 304.80 | 330.20  | 57.15                       | 387.35                        | 146.84   | 114.30                      | 19.00   | 66.68  | 219.08 | 144.07  | 115.890 | 44.05   | 30.00   |        |        |                |
| 12                            | 4 3/16         | ZEPS6403YF  | ZEP6403YF   | 4 3/4  | 12 7/8  | 14 1/8                      | 2 1/2                         | 16 1/2   | 6 1/4                       | 4 5/8   | 3/4    | 2 3/4  | 9 3/8   | 6 1/16  | 5 1/32  | 1 7/8   | 81.00  |        |                |
|                               | 4 7/16         | ZEPS6407YF  | ZEP6407YF   |        |         |                             |                               |          |                             |         |        |        |         |         |         |         | 78.00  |        |                |
| 110.00                        | ZEPS6110MMF    | ZEP6110MMF  | 120.65      | 327.03 | 358.78  | 63.50                       | 419.10                        | 158.75   | 117.48                      | 19.00   | 69.85  | 238.13 | 153.99  | 127.790 | 47.63   | 35.40   |        |        |                |
| 13                            | 4 15/16        | ZEPS6415F   | ZEP6415F    | 5 1/2  | 14 7/8  | 16 1/8                      | 2 3/4                         | 18 1/2   | 7 15/16                     | 5 9/16  | 7/8    | 3      | 11 1/8  | 6 61/64 | 5 3/4   | 2 1/4   | 150.00 |        |                |
|                               | 125.00         | ZEPS6125MMF | ZEP6125MMF  |        |         |                             |                               |          |                             |         |        |        |         |         |         |         | 139.70 | 377.83 | 409.58         |

## Additional Notes

- Please call 1-866-REXNORD for availability
- Metric bore sizes available, see the Rex Interchangeability guide
- Lubrication fitting tap size: for size code 6 thru 11, 1/8" PT; for all other size codes, 1/4" PT
- Base to centerline tolerance, +/- .005 in (+/- 0.13 mm)
- Seals - To specify K or M seal, replace "Z" in part number with "K" or "M"

- "K" seals only available in size codes 6 thru 11
- Auxiliary end caps - available in all size codes, except expansion units
- For the Selection Guide, Load Ratings and Speed Limits, see the Rex Spherical Roller Bearings Engineering section
- Note: Dimensions subject to change. Certified dimensions of ordered material furnished on request.

# ZEP9000, ZEPS9000

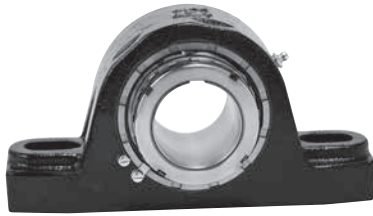
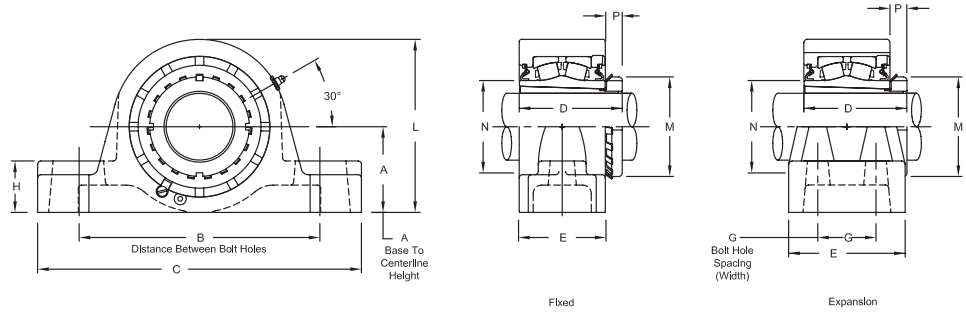


Photo Shows a 2-Bolt Spherical Roller Bearing Pillow Block Unit

## Product Features

- Corrosion-resistant powder coating
- Cast iron housing
- Misalignment capabilities - total of 4°
- Broad range of sealing options
- Factory set clearance & lubrication
- Precision ground & superfinished raceways
- Enhanced life mounting style
- Field interchangeable seals
- See Features & Benefits for additional info.



## Bearing Dimensions

| Size Code                     | Shaft Diameter | Expansion   |             | Fixed  |         | A<br>Base to<br>Centerline<br>Height | B Distance<br>Between Bolt<br>Holes |          | G<br>Bolt Hole<br>Spacing<br>(Width) | C       | D     | E     | F<br>Bolts | H       | L       | M      | N     | P | Approx.<br>Weight |        |        |   |        |       |       |       |       |        |       |        |       |      |
|-------------------------------|----------------|-------------|-------------|--------|---------|--------------------------------------|-------------------------------------|----------|--------------------------------------|---------|-------|-------|------------|---------|---------|--------|-------|---|-------------------|--------|--------|---|--------|-------|-------|-------|-------|--------|-------|--------|-------|------|
|                               |                | Part Number | Part Number | Min.   | Max.    |                                      |                                     |          |                                      |         |       |       |            |         |         |        |       |   |                   |        |        |   |        |       |       |       |       |        |       |        |       |      |
| <b>Two-Bolt Pillow Block</b>  |                |             |             |        |         |                                      |                                     |          |                                      |         |       |       |            |         |         |        |       |   |                   |        |        |   |        |       |       |       |       |        |       |        |       |      |
| 7                             | 1 15/16        | ZEPS9115    | ZEP9115     | 2 1/2  | 6 9/16  | 8                                    | -                                   | 9 5/8    | 3 5/32                               | 2 9/16  | 5/8   | 1 1/2 | 5          | 2 31/32 | 2 5/8   | 19/32  |       |   | 15.00             |        |        |   |        |       |       |       |       |        |       |        |       |      |
|                               | 2              | ZEPS9200    | ZEP9200     |        |         |                                      |                                     |          |                                      |         |       |       |            |         |         |        |       |   | 14.90             |        |        |   |        |       |       |       |       |        |       |        |       |      |
|                               | 45.00          | ZEPS9045MM  | ZEP9045MM   |        |         |                                      |                                     |          |                                      |         |       |       |            |         |         |        |       |   | 63.50             | 166.69 | 203.20 | - | 244.48 | 80.17 | 65.09 | 16.00 | 38.10 | 127.00 | 75.40 | 66.680 | 15.08 | 6.80 |
|                               | 50.00          | ZEPS9050MM  | ZEP9050MM   |        |         |                                      |                                     |          |                                      |         |       |       |            |         |         |        |       |   |                   |        |        |   |        |       |       |       |       |        |       |        |       |      |
| 8                             | 2 3/16         | ZEPS9203    | ZEP9203     | 2 3/4  | 6 15/16 | 8 3/4                                | -                                   | 10 1/2   | 3 11/32                              | 2 11/16 | 5/8   | 1 5/8 | 5 1/2      | 3 3/8   | 2 29/32 | 23/32  |       |   | 18.60             |        |        |   |        |       |       |       |       |        |       |        |       |      |
|                               | 55.00          | ZEPS9055MM  | ZEP9055MM   | 69.85  | 176.21  | 222.25                               | -                                   | 266.70   | 84.93                                | 68.26   | 16.00 | 41.28 | 139.70     | 85.73   | 73.820  | 18.26  | 8.40  |   |                   |        |        |   |        |       |       |       |       |        |       |        |       |      |
| 9                             | 2 7/16         | ZEPS9207    | ZEP9207     | 3 1/8  | 7 13/16 | 9 3/4                                | -                                   | 11 13/16 | 3 3/4                                | 3 3/16  | 3/4   | 1 7/8 | 6 5/16     | 3 5/8   | 3 3/8   | 5/8    |       |   | 28.10             |        |        |   |        |       |       |       |       |        |       |        |       |      |
|                               | 2 1/2          | ZEPS9208    | ZEP9208     |        |         |                                      |                                     |          |                                      |         |       |       |            |         |         |        |       |   | 27.70             |        |        |   |        |       |       |       |       |        |       |        |       |      |
| 10                            | 2 11/16        | ZEPS9211    | ZEP9211     | 3 3/4  | 9 5/16  | 11 5/16                              | -                                   | 13 13/16 | 4 1/4                                | 3 1/2   | 7/8   | 2 1/4 | 7 1/2      | 4 13/32 | 3 31/32 | 13/16  |       |   | 45.70             |        |        |   |        |       |       |       |       |        |       |        |       |      |
|                               | 2 15/16        | ZEPS9215    | ZEP9215     |        |         |                                      |                                     |          |                                      |         |       |       |            |         |         |        |       |   | 44.50             |        |        |   |        |       |       |       |       |        |       |        |       |      |
|                               | 75.00          | ZEPS9075MM  | ZEP9075MM   | 95.25  | 236.54  | 287.34                               | -                                   | 350.84   | 107.95                               | 88.90   | 22.00 | 57.15 | 190.50     | 111.92  | 100.790 | 20.64  | 20.20 |   |                   |        |        |   |        |       |       |       |       |        |       |        |       |      |
| <b>Four-Bolt Pillow Block</b> |                |             |             |        |         |                                      |                                     |          |                                      |         |       |       |            |         |         |        |       |   |                   |        |        |   |        |       |       |       |       |        |       |        |       |      |
| 8                             | 2 3/16         | ZEPS9203F   | ZEP9203F    | 2 3/4  | 6 15/16 | 8 3/4                                | 1 7/8                               | 10 1/2   | 3 11/32                              | 3 5/8   | 5/8   | 1 5/8 | 5 1/2      | 3 3/8   | 2 29/32 | 23/32  |       |   | 18.70             |        |        |   |        |       |       |       |       |        |       |        |       |      |
|                               | 55.00          | ZEPS9055MMF | ZEP9055MMF  | 69.85  | 176.21  | 222.25                               | 47.63                               | 266.70   | 84.93                                | 92.08   | 16.00 | 41.28 | 139.70     | 85.73   | 73.820  | 18.26  | 8.50  |   |                   |        |        |   |        |       |       |       |       |        |       |        |       |      |
| 9                             | 2 7/16         | ZEPS9207F   | ZEP9207F    | 3 1/8  | 7 13/16 | 9 7/8                                | 2 1/8                               | 11 13/16 | 3 3/4                                | 4 1/4   | 5/8   | 1 7/8 | 6 5/16     | 3 5/8   | 3 3/8   | 5/8    |       |   | 27.60             |        |        |   |        |       |       |       |       |        |       |        |       |      |
|                               | 2 1/2          | ZEPS9208F   | ZEP9208F    |        |         |                                      |                                     |          |                                      |         |       |       |            |         |         |        |       |   | 27.20             |        |        |   |        |       |       |       |       |        |       |        |       |      |
| 10                            | 2 11/16        | ZEPS9211F   | ZEP9211F    | 3 3/4  | 9 5/16  | 11 5/16                              | 2 3/8                               | 13 13/16 | 4 1/4                                | 4 3/4   | 3/4   | 2 1/4 | 7 1/2      | 4 13/32 | 3 31/32 | 13/16  |       |   | 46.20             |        |        |   |        |       |       |       |       |        |       |        |       |      |
|                               | 2 15/16        | ZEPS9215F   | ZEP9215F    |        |         |                                      |                                     |          |                                      |         |       |       |            |         |         |        |       |   | 45.00             |        |        |   |        |       |       |       |       |        |       |        |       |      |
|                               | 75.00          | ZEPS9075MMF | ZEP9075MMF  | 95.25  | 236.54  | 287.34                               | 60.33                               | 350.84   | 107.95                               | 120.65  | 19.00 | 57.15 | 190.50     | 111.92  | 100.790 | 20.64  | 20.40 |   |                   |        |        |   |        |       |       |       |       |        |       |        |       |      |
| 11                            | 3 3/16         | ZEPS9303F   | ZEP9303F    | 4 1/4  | 12      | 13                                   | 2 1/4                               | 15 1/4   | 5                                    | 4 1/2   | 3/4   | 2 5/8 | 8 5/8      | 5 3/16  | 4 9/16  | 15/16  |       |   | 70.00             |        |        |   |        |       |       |       |       |        |       |        |       |      |
|                               | 3 7/16         | ZEPS9307F   | ZEP9307F    |        |         |                                      |                                     |          |                                      |         |       |       |            |         |         |        |       |   | 68.00             |        |        |   |        |       |       |       |       |        |       |        |       |      |
|                               | 80.00          | ZEPS9080MMF | ZEP9080MMF  | 107.95 | 304.80  | 330.20                               | 57.15                               | 387.35   | 127.00                               | 114.30  | 19.00 | 66.68 | 219.08     | 131.76  | 115.890 | 23.81  | 31.00 |   |                   |        |        |   |        |       |       |       |       |        |       |        |       |      |
| 12                            | 3 11/16        | ZEPS9311YF  | ZEP9311YF   | 4 3/4  | 12 7/8  | 14 1/8                               | 2 1/2                               | 16 1/2   | 5 17/32                              | 4 5/8   | 3/4   | 2 3/4 | 9 3/8      | 5 23/32 | 5 1/32  | 1 1/32 |       |   | 78.20             |        |        |   |        |       |       |       |       |        |       |        |       |      |
|                               | 3 15/16        | ZEPS9315YF  | ZEP9315YF   |        |         |                                      |                                     |          |                                      |         |       |       |            |         |         |        |       |   | 75.90             |        |        |   |        |       |       |       |       |        |       |        |       |      |
|                               | 4              | ZEPS9400YF  | ZEP9400YF   |        |         |                                      |                                     |          |                                      |         |       |       |            |         |         |        |       |   | 75.40             |        |        |   |        |       |       |       |       |        |       |        |       |      |
|                               | 100.00         | ZEPS9100MMF | ZEP9100MMF  | 120.65 | 327.03  | 358.78                               | 63.50                               | 419.10   | 140.49                               | 117.48  | 19.00 | 69.85 | 238.13     | 145.26  | 127.790 | 26.19  | 34.40 |   |                   |        |        |   |        |       |       |       |       |        |       |        |       |      |
| 13                            | 4 3/16         | ZEPS9403F   | ZEP9403F    | 5 1/2  | 14 7/8  | 16 1/8                               | 2 3/4                               | 18 1/2   | 6 3/4                                | 5 9/16  | 7/8   | 3     | 11 1/8     | 6 1/8   | 5 3/4   | 1 1/8  |       |   | 150.00            |        |        |   |        |       |       |       |       |        |       |        |       |      |
|                               | 4 7/16         | ZEPS9407F   | ZEP9407F    |        |         |                                      |                                     |          |                                      |         |       |       |            |         |         |        |       |   | 148.00            |        |        |   |        |       |       |       |       |        |       |        |       |      |

## Additional Notes

- Please call 1-866-REXNORD for availability
- Lubrication fitting tap size: for size code 7 thru 11, 1/8" PT; for all other size codes, 1/4" PT
- Base to centerline tolerance, +/- .005 in (+/- 0.13 mm)
- Seals - To specify K or M seal, replace "Z" in part number with "K" or "M"
- "K" seals only available in size codes 7 thru 11
- Auxiliary end caps - available in all size codes, except expansion units

For the Selection Guide, Load Ratings and Speed Limits, see the Rex Spherical Roller Bearings Engineering section  
 Note: Dimensions subject to change. Certified dimensions of ordered material furnished on request.

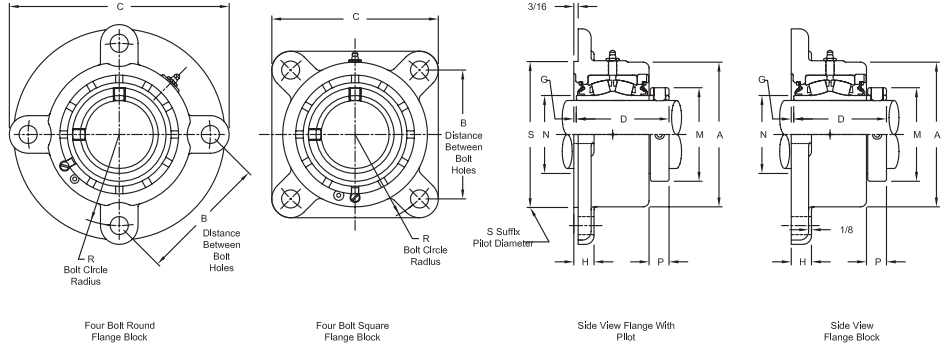
# ZB2000, ZBS2000



Photo Shows a 4-Bolt Spherical Roller Bearing Flanged Unit

## Product Features

- Corrosion-resistant powder coating
- Cast iron housing
- Misalignment capabilities - total of 4°
- Broad range of sealing options
- Factory set clearance & lubrication
- Precision ground & superfinished raceways
- Hardened spring locking collar
- Field interchangeable seals
- See Features & Benefits for additional info.



## Bearing Dimensions

| Size Code           | Shaft Diameter | Expansion   |        |       | Fixed       |         |       | B Distance Between Bolt Holes | R Bolt Circle Radius | C      | D       | F Bolts | G    | M       | N       | P     | S       | Approx. Weight |
|---------------------|----------------|-------------|--------|-------|-------------|---------|-------|-------------------------------|----------------------|--------|---------|---------|------|---------|---------|-------|---------|----------------|
|                     |                | Part Number | A      | H     | Part Number | A       | H     |                               |                      |        |         |         |      |         |         |       |         |                |
| <b>3-Bolt</b>       |                |             |        |       |             |         |       |                               |                      |        |         |         |      |         |         |       |         |                |
| 2                   | 3/4            | -           | -      | -     | ZB2012      | -       | -     | -                             | -                    | -      | -       | -       | -    | -       | -       | -     | -       | 4.30           |
|                     | 15/16          | -           | -      | -     | ZB2015      | 2 7/8   | 9/16  | 3 37/64                       | 2 1/16               | 5 1/8  | 2 9/16  | 3/8     | 1/32 | 1 3/4   | 1 5/16  | 9/16  | 3       | 4.20           |
|                     | 1              | -           | -      | -     | ZB2100      | -       | -     | -                             | -                    | -      | -       | -       | -    | -       | -       | -     | -       | -              |
|                     | 25.00          | -           | -      | -     | ZB2025MM    | 73.03   | 14.29 | 90.88                         | 52.39                | 130.18 | 65.09   | 10.00   | 0.79 | 44.45   | 33.340  | 14.29 | 76.200  | 1.90           |
| 3                   | 1 1/8          | -           | -      | -     | ZB2102      | -       | -     | -                             | -                    | -      | -       | -       | -    | -       | -       | -     | -       | 5.20           |
|                     | 1 3/16         | -           | -      | -     | ZB2103      | 3 1/8   | 19/32 | 3 57/64                       | 2 1/4                | 5 1/2  | 2 11/16 | 3/8     | 1/32 | 1 31/32 | 1 17/32 | 9/16  | 3 1/4   | 5.10           |
|                     | 1 1/4          | -           | -      | -     | ZB2104      | -       | -     | -                             | -                    | -      | -       | -       | -    | -       | -       | -     | -       | 5.00           |
|                     | 30.00          | -           | -      | -     | ZB2030MM    | 79.38   | 15.09 | 98.83                         | 57.15                | 139.70 | 68.26   | 10.00   | 0.79 | 50.00   | 38.880  | 14.29 | 82.550  | 2.30           |
| 4                   | 1 7/16         | ZBS2107     | 3 3/4  | 5/8   | ZB2107      | -       | -     | -                             | -                    | -      | -       | -       | -    | -       | -       | -     | -       | 6.80           |
|                     | 1 1/2          | ZBS2108     | -      | -     | ZB2108      | 3 7/16  | 5/8   | 4 21/64                       | 2 1/2                | 6 1/4  | 2 7/8   | 1/2     | 1/32 | 2 5/16  | 1 3/4   | 11/16 | 3 9/16  | 6.70           |
|                     | 35.00          | ZBS2035MM   | 95.25  | 15.88 | ZB2035MM    | 87.31   | 15.88 | 109.93                        | 63.50                | 158.75 | 73.02   | 13.00   | 0.79 | 58.74   | 44.450  | 17.46 | 90.490  | 3.10           |
| <b>4-Bolt Round</b> |                |             |        |       |             |         |       |                               |                      |        |         |         |      |         |         |       |         |                |
| 5                   | 1 11/16        | ZBS2111     | 4 1/4  | 5/8   | ZB2111      | 3 15/16 | 5/8   | 3 57/64                       | 2 3/4                | 6 3/4  | 3 1/8   | 1/2     | 1/32 | 2 19/32 | 2 1/32  | 11/16 | 4 1/16  | 8.60           |
|                     | 1 3/4          | ZBS2112     | -      | -     | ZB2112      | -       | -     | -                             | -                    | -      | -       | -       | -    | -       | -       | -     | -       | 8.40           |
|                     | 40.00          | ZBS2040MM   | 107.95 | 15.88 | ZB2040MM    | 100.01  | 15.88 | 98.83                         | 69.85                | 171.45 | 79.38   | 13.00   | 0.79 | 65.88   | 51.580  | 17.46 | 103.190 | 4.00           |
|                     | 45.00          | ZBS2045MM   | -      | -     | ZB2045MM    | -       | -     | -                             | -                    | -      | -       | -       | -    | -       | -       | -     | -       | 8.40           |
| 6                   | 1 15/16        | ZBS2115     | 4 1/2  | 11/16 | ZB2115      | 4 1/4   | 11/16 | 4 1/16                        | 2 7/8                | 7      | 3 1/8   | 1/2     | 1/16 | 2 7/8   | 2 5/16  | 11/16 | 4 3/8   | 9.80           |
|                     | 2              | ZBS2200     | -      | -     | ZB2200      | -       | -     | -                             | -                    | -      | -       | -       | -    | -       | -       | -     | -       | 9.60           |
|                     | 50.00          | ZBS2050MM   | 114.30 | 17.46 | ZB2050MM    | 107.95  | 17.46 | 103.19                        | 73.03                | 177.80 | 79.38   | 13.00   | 1.59 | 73.03   | 58.740  | 17.46 | 111.130 | 4.50           |
| 7                   | 2 3/16         | ZBS2203     | 4 7/8  | 11/16 | ZB2203      | 4 7/8   | 11/16 | 4 1/2                         | 3 3/16               | 7 3/4  | 3 5/16  | 5/8     | 3/32 | 3 1/4   | 2 5/8   | 13/16 | 5       | 13.30          |
|                     | 2 1/4          | ZBS2204     | -      | -     | ZB2204      | -       | -     | -                             | -                    | -      | -       | -       | -    | -       | -       | -     | -       | 13.10          |
|                     | 55.00          | ZBS2055MM   | 123.83 | 17.46 | ZB2055MM    | 123.83  | 17.46 | 114.30                        | 80.96                | 196.85 | 84.14   | 16.00   | 2.38 | 82.55   | 66.680  | 19.84 | 127.000 | 6.10           |
| 8                   | 2 3/8          | ZBS2206     | 5 3/8  | 3/4   | ZB2206      | 5 3/8   | 3/4   | 4 49/64                       | 3 3/8                | 8 1/8  | 3 1/2   | 5/8     | 3/32 | 3 9/16  | 2 29/32 | 7/8   | 5 7/16  | 16.70          |
|                     | 2 7/16         | ZBS2207     | -      | -     | ZB2207      | -       | -     | -                             | -                    | -      | -       | -       | -    | -       | -       | -     | -       | 16.60          |
|                     | 2 1/2          | ZBS2208     | -      | -     | ZB2208      | -       | -     | -                             | -                    | -      | -       | -       | -    | -       | -       | -     | -       | 16.40          |
|                     | 60.00          | ZBS2060MM   | 136.53 | 19.05 | ZB2060MM    | 136.53  | 19.05 | 121.06                        | 85.73                | 206.38 | 88.90   | 16.00   | 2.38 | 90.49   | 73.810  | 22.23 | 138.110 | 7.60           |
|                     | 65.00          | ZBS2065MM   | -      | -     | ZB2065MM    | -       | -     | -                             | -                    | -      | -       | -       | -    | -       | -       | -     | -       | 7.40           |
| 9                   | 2 11/16        | ZBS2211     | 6 1/4  | 7/8   | ZB2211      | 6 1/4   | 7/8   | 5 9/16                        | 3 15/16              | 9 1/2  | 4       | 3/4     | 3/32 | 4 1/16  | 3 3/8   | 7/8   | 6 5/16  | 26.50          |
|                     | 2 3/4          | ZBS2212     | -      | -     | ZB2212      | -       | -     | -                             | -                    | -      | -       | -       | -    | -       | -       | -     | -       | 26.10          |
|                     | 2 15/16        | ZBS2215     | -      | -     | ZB2215      | -       | -     | -                             | -                    | -      | -       | -       | -    | -       | -       | -     | -       | 25.60          |
|                     | 3              | ZBS2300     | -      | -     | ZB2300      | -       | -     | -                             | -                    | -      | -       | -       | -    | -       | -       | -     | -       | 25.10          |
|                     | 70.00          | ZBS2070MM   | 158.75 | 22.23 | ZB2070MM    | 158.75  | 22.23 | 141.29                        | 100.01               | 241.30 | 101.60  | 19.00   | 2.38 | 103.19  | 85.730  | 22.23 | 160.340 | 11.80          |
|                     | 75.00          | ZBS2075MM   | -      | -     | ZB2075MM    | -       | -     | -                             | -                    | -      | -       | -       | -    | -       | -       | -     | -       | 11.60          |

Continued...

Continued...

**Bearing Dimensions**

| Size Code            | Shaft Diameter                  | Expansion   |                               |                               | Fixed       |                               |                                | B Distance Between Bolt Holes   | R Bolt Circle Radius          | C                              | D                              | F Bolts                     | G   | M                               | N                               | P                              | S                             | Approx. Weight |
|----------------------|---------------------------------|-------------|-------------------------------|-------------------------------|-------------|-------------------------------|--------------------------------|---------------------------------|-------------------------------|--------------------------------|--------------------------------|-----------------------------|-----|---------------------------------|---------------------------------|--------------------------------|-------------------------------|----------------|
|                      |                                 | Part Number | A                             | H                             | Part Number | A                             | H                              |                                 |                               |                                |                                |                             |     |                                 |                                 |                                |                               |                |
| <b>4-Bolt Square</b> |                                 |             |                               |                               |             |                               |                                |                                 |                               |                                |                                |                             |     |                                 |                                 |                                |                               |                |
| 10                   | 3 <sup>3</sup> / <sub>16</sub>  | ZBS2303     | 7 <sup>3</sup> / <sub>8</sub> | 1 <sup>3</sup> / <sub>8</sub> | ZB2303      | 7 <sup>3</sup> / <sub>8</sub> | 1                              | 6 <sup>23</sup> / <sub>32</sub> | 4 <sup>3</sup> / <sub>4</sub> | 8 <sup>7</sup> / <sub>16</sub> | 4 <sup>3</sup> / <sub>8</sub>  | <sup>3</sup> / <sub>4</sub> | 1/4 | 4 <sup>29</sup> / <sub>32</sub> | 3 <sup>31</sup> / <sub>32</sub> | <sup>15</sup> / <sub>16</sub>  | 7 <sup>3</sup> / <sub>8</sub> | 37.00          |
|                      | 3 <sup>7</sup> / <sub>16</sub>  | ZBS2307     |                               |                               | ZB2307      |                               |                                |                                 |                               |                                |                                |                             |     |                                 |                                 |                                |                               | 34.60          |
|                      | 3 <sup>1</sup> / <sub>2</sub>   | ZBS2308     | ZB2308                        | 34.10                         |             |                               |                                |                                 |                               |                                |                                |                             |     |                                 |                                 |                                |                               |                |
|                      | 80.00                           | ZBS2080MM   | ZB2080MM                      | 16.80                         |             |                               |                                |                                 |                               |                                |                                |                             |     |                                 |                                 |                                |                               |                |
|                      | 85.00                           | ZBS2085MM   | 187.33                        | 34.93                         | ZB2085MM    | 187.33                        | 25.40                          |                                 |                               |                                |                                |                             |     |                                 |                                 |                                |                               | 170.66         |
| 90.00                | ZBS2090MM                       |             |                               | ZB2090MM                      |             |                               |                                |                                 |                               |                                |                                |                             |     |                                 |                                 |                                |                               | 15.50          |
| 11                   | 3 <sup>11</sup> / <sub>16</sub> | ZBS2311     | 8 <sup>3</sup> / <sub>8</sub> | 1 <sup>1</sup> / <sub>2</sub> | ZB2311      | 8 <sup>1</sup> / <sub>2</sub> | 1 <sup>3</sup> / <sub>16</sub> | 7 <sup>19</sup> / <sub>32</sub> | 5 <sup>3</sup> / <sub>8</sub> | 9 <sup>3</sup> / <sub>4</sub>  | 5 <sup>1</sup> / <sub>16</sub> | <sup>7</sup> / <sub>8</sub> | 1/4 | 5 <sup>5</sup> / <sub>8</sub>   | 4 <sup>9</sup> / <sub>16</sub>  | 1 <sup>1</sup> / <sub>32</sub> | 8 <sup>1</sup> / <sub>2</sub> | 59.00          |
|                      | 3 <sup>15</sup> / <sub>16</sub> | ZBS2315     |                               |                               | ZB2315      |                               |                                |                                 |                               |                                |                                |                             |     |                                 |                                 |                                |                               | 56.00          |
|                      | 4                               | ZBS2400     | ZB2400                        |                               |             |                               |                                |                                 |                               |                                |                                |                             |     |                                 |                                 |                                |                               |                |
|                      | 100.00                          | ZBS2100MM   | 212.73                        | 38.10                         | ZB2100MM    | 215.90                        | 30.20                          |                                 |                               |                                |                                |                             |     |                                 |                                 |                                |                               | 192.89         |

**Additional Notes**

Please call 1-866-REXNORD for availability  
 Metric bore sizes available, see Rex Interchangeability guide  
 Lubrication fitting tap size, 1/8" PT  
 Bore size = nominal shaft size +.001 in/-.000 in (+0.03 mm/-0.00 mm)  
 Machined pilot available, add suffix S  
 Seals - To specify K or M seal, replace "Z" in part number with "K" or "M"  
 Auxiliary end caps - available in all size codes except for size codes 2 thru 6 and expansion units

Also not available on size code 7 on flange side of non-piloted bearings and size code 7 thru 9 on flange side of piloted bearings  
 Pilot Diameter tolerance, +.000 in/-.003 in (+0.00 mm/-0.08 mm)  
 For the Selection Guide, Load Ratings and Speed Limits, see the Rex Spherical Roller Bearings Engineering section  
 Note: Dimensions subject to change. Certified dimensions of ordered material furnished on request.

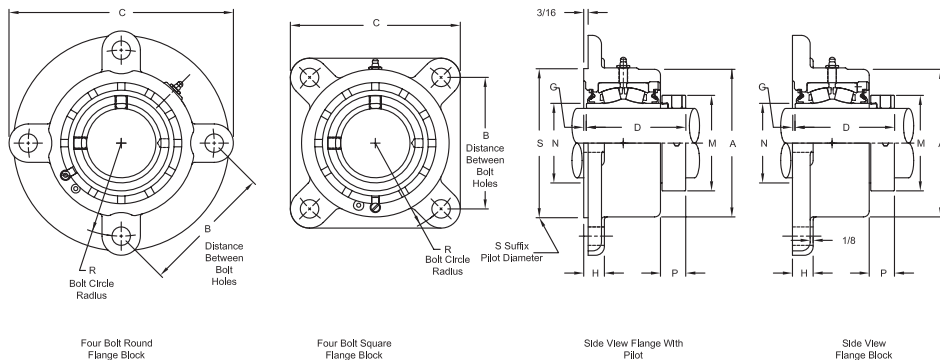
# ZB3000, ZBS3000



Photo Shows a 4-Bolt Spherical Roller Bearing Flanged Unit

## Product Features

- Corrosion-resistant powder coating
- Cast iron housing
- Misalignment capabilities - total of 4°
- Broad range of sealing options
- Factory set clearance & lubrication
- Precision ground & superfinished raceways
- Hardened eccentric locking collar
- Field interchangeable seals
- See Features & Benefits for additional info.



## Bearing Dimensions

| Size Code            | Shaft Diameter | Expansion   |       | Fixed       |         | B Distance Between Bolt Holes | R Bolt Circle Radius | C      | D       | F Bolts | G    | H     | M       | N       | P      | S      | Approx. Weight |
|----------------------|----------------|-------------|-------|-------------|---------|-------------------------------|----------------------|--------|---------|---------|------|-------|---------|---------|--------|--------|----------------|
|                      |                | Part Number | A     | Part Number | A       |                               |                      |        |         |         |      |       |         |         |        |        |                |
| <b>3-Bolt Round</b>  |                |             |       |             |         |                               |                      |        |         |         |      |       |         |         |        |        |                |
| 4                    | 1 7/16         | ZBS3107     | 3 3/4 | ZB3107      | 3 7/16  | 4 21/64                       | 2 1/2                | 6 1/4  | 2 59/64 | 1/2     | 1/32 | 5/8   | 2 5/16  | 1 3/4   | 25/32  | 3 9/16 | 7.00           |
| <b>4-Bolt Round</b>  |                |             |       |             |         |                               |                      |        |         |         |      |       |         |         |        |        |                |
| 5                    | 1 11/16        | ZBS3111     | 4 1/4 | ZB3111      | 3 15/16 | 3 57/64                       | 2 3/4                | 6 3/4  | 3 3/16  | 1/2     | 1/32 | 5/8   | 2 5/8   | 2 1/32  | 3/4    | 4 1/16 | 8.80           |
| 6                    | 1 15/16        | ZBS3115     | 4 1/2 | ZB3115      | 4 1/4   | 4 1/16                        | 2 7/8                | 7      | 3 9/32  | 1/2     | 1/16 | 11/16 | 2 3/4   | 2 5/16  | 27/32  | 4 3/8  | 10.00          |
| 7                    | 2 3/16         | ZBS3203     | 4 7/8 | ZB3203      | 4 7/8   | 4 1/2                         | 3 3/16               | 7 3/4  | 3 1/2   | 5/8     | 3/32 | 11/16 | 3 1/4   | 2 5/8   | 31/32  | 5      | 13.60          |
| 8                    | 2 7/16         | ZBS3207     | 5 3/8 | ZB3207      | 5 3/8   | 4 49/64                       | 3 3/8                | 8 1/8  | 3 21/32 | 5/8     | 3/32 | 3/4   | 3 9/16  | 2 29/32 | 1 1/64 | 5 7/16 | 16.80          |
|                      | 2 1/2          | ZBS3208     |       | ZB3208      |         |                               |                      |        |         |         |      |       |         |         |        |        | 16.60          |
| 9                    | 2 11/16        | ZBS3211     | 6 1/4 | ZB3211      | 6 1/4   | 5 9/16                        | 3 15/16              | 9 1/2  | 4 13/64 | 3/4     | 3/32 | 7/8   | 4 1/16  | 3 3/8   | 1 1/64 | 6 5/16 | 27.10          |
|                      | 2 15/16        | ZBS3215     |       | ZB3215      |         |                               |                      |        |         |         |      |       |         |         |        |        | 26.00          |
| <b>4-Bolt Square</b> |                |             |       |             |         |                               |                      |        |         |         |      |       |         |         |        |        |                |
| 10                   | 3 7/16         | ZBS3307     | 7 3/8 | ZB3307      | 7 3/8   | 6 23/32                       | 4 3/4                | 8 7/16 | 4 37/64 | 3/4     | 1/4  | 1     | 4 15/16 | 3 31/32 | 1 9/64 | 7 3/8  | 35.70          |
|                      | 3 1/2          | ZBS3308     |       | ZB3308      |         |                               |                      |        |         |         |      |       |         |         |        |        | 35.20          |
| 11                   | 3 15/16        | ZBS3315     | 8 3/8 | ZB3315      | 8 1/2   | 7 19/32                       | 5 3/8                | 9 3/4  | 5 3/16  | 7/8     | 1/4  | 1 1/8 | 5 5/8   | 4 9/16  | 1 1/16 | 8 1/2  | 56.00          |

## Additional Notes

- Please call 1-866-REXNORD for availability
- Lubrication fitting tap size, 1/8" PT
- Bore size = nominal shaft size +.001 in/-.000 in (**+0.03 mm/-0.00 mm**)
- Machined pilot available, add suffix S
- Seals - To specify K or M seal, replace "Z" in part number with "K" or "M"
- Auxiliary end caps - available in all size codes except for size codes 4 thru 6 and expansion units

- Also not available on size code 7 on flange side of non-piloted bearings and size code 7 thru 9 on flange side of piloted bearings
- Pilot Diameter tolerance, +.000 in/-.003 in (**+0.00 mm/-0.08 mm**)
- For the Selection Guide, Load Ratings and Speed Limits, see the Rex Spherical Roller Bearings Engineering section
- Note: Dimensions subject to change. Certified dimensions of ordered material furnished on request.

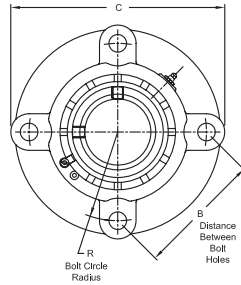
## ZB5000, ZBS5000



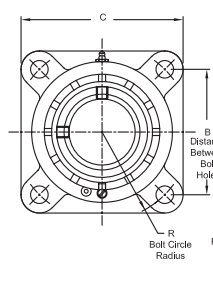
Photo Shows a 4-Bolt Spherical Roller Bearing Flanged Unit

### Product Features

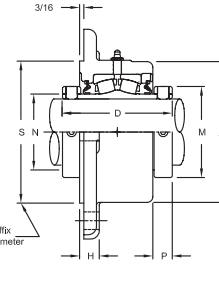
- Corrosion-resistant powder coating
- Cast iron housing
- Misalignment capabilities - total of 4°
- Broad range of sealing options
- Factory set clearance & lubrication
- Precision ground & superfinished raceways
- Two hardened spring locking collars
- Field interchangeable seals
- See Features & Benefits for additional info.



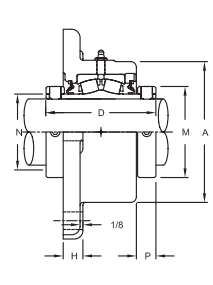
Four Bolt Round Flange Block



Four Bolt Square Flange Block



Side View Flange With Pilot



Side View Flange Block

### Bearing Dimensions

| Size Code            | Shaft Diameter | Expansion   |        |       | Fixed       |         |        | B Distance Between Bolt Holes | R Bolt Circle Radius | C      | D       | F Bolts | M       | N       | P      | S       | Approx. Weight |
|----------------------|----------------|-------------|--------|-------|-------------|---------|--------|-------------------------------|----------------------|--------|---------|---------|---------|---------|--------|---------|----------------|
|                      |                | Part Number | A      | H     | Part Number | A       | H      |                               |                      |        |         |         |         |         |        |         |                |
| <b>3-Bolt Round</b>  |                |             |        |       |             |         |        |                               |                      |        |         |         |         |         |        |         |                |
| 4                    | 1 7/16         | ZBS5107     | 3 3/4  | 5/8   | ZB5107      | 3 7/16  | 5/8    | 4 21/64                       | 2 1/2                | 6 1/4  | 3 9/16  | 1/2     | 2 5/16  | 1 3/4   | 11/16  | 3 9/16  | 7.10           |
|                      | 35.00          | ZBS5035MM   | 95.25  | 15.88 | ZB5035MM    | 87.31   | 15.88  | 109.93                        | 63.50                | 158.75 | 90.49   | 13.00   | 58.74   | 44.450  | 17.46  | 90.490  | 3.20           |
| <b>4-Bolt Round</b>  |                |             |        |       |             |         |        |                               |                      |        |         |         |         |         |        |         |                |
| 5                    | 1 1/2          | ZBS5108     | 4 1/4  | 5/8   | ZB5108      | 3 15/16 | 5/8    | 3 57/64                       | 2 3/4                | 6 3/4  | 3 13/16 | 1/2     | 2 19/32 | 2 1/32  | 11/16  | 4 1/16  | 9.60           |
|                      | 1 11/16        | ZBS5111     |        |       | ZB5111      |         |        |                               |                      |        |         |         |         |         |        |         | 9.20           |
|                      | 40.00          | ZBS5040MM   | 107.95 | 15.88 | ZB5040MM    | 100.01  | 15.88  | 98.83                         | 69.85                | 171.45 | 96.84   | 13.00   | 65.88   | 51.580  | 17.46  | 103.190 | 4.30           |
|                      | 45.00          | ZBS5045MM   |        |       | ZB5045MM    |         |        |                               |                      |        |         |         |         |         |        |         | 4.20           |
| 6                    | 1 15/16        | ZBS5115     | 4 1/2  | 11/16 | ZB5115      | 4 1/4   | 11/16  | 4 1/16                        | 2 7/8                | 7      | 3 13/16 | 1/2     | 2 7/8   | 2 5/16  | 11/16  | 4 3/8   | 10.40          |
|                      | 50.00          | ZBS5050MM   | 114.30 | 17.46 | ZB5050MM    | 107.95  | 17.46  | 103.19                        | 73.03                | 177.80 | 96.84   | 13.00   | 73.03   | 58.740  | 17.46  | 111.130 | 4.70           |
| 7                    | 2              | ZBS5200     | 4 7/8  | 11/16 | ZB5200      | 4 7/8   | 11/16  | 4 1/2                         | 3 3/16               | 7 3/4  | 4 1/8   | 5/8     | 3 1/4   | 2 5/8   | 13/16  | 5       | 15.00          |
|                      | 2 3/16         | ZBS5203     |        |       | ZB5203      |         |        |                               |                      |        |         |         |         |         |        |         | 14.40          |
|                      | 55.00          | ZBS5055MM   | 123.83 | 17.46 | ZB5055MM    | 123.83  | 17.46  | 114.30                        | 80.96                | 196.85 | 104.78  | 16.00   | 82.60   | 66.680  | 20.64  | 127.000 | 6.50           |
| 8                    | 2 7/16         | ZBS5207     | 5 3/8  | 3/4   | ZB5207      | 5 3/8   | 3/4    | 4 49/64                       | 3 3/8                | 8 1/8  | 4 3/8   | 5/8     | 3 9/16  | 2 29/32 | 7/8    | 5 7/16  | 17.70          |
|                      | 60.00          | ZBS5060MM   | 136.53 | 19.05 | ZB5060MM    | 136.53  | 19.05  | 121.06                        | 85.73                | 206.38 | 111.13  | 16.00   | 90.50   | 73.810  | 22.23  | 138.110 | 8.10           |
|                      | 65.00          | ZBS5065MM   |        |       | ZB5065MM    |         |        |                               |                      |        |         |         |         |         |        |         | 8.00           |
| 9                    | 2 1/2          | ZBS5208     | 6 1/4  | 7/8   | ZB5208      | 6 1/4   | 7/8    | 5 9/16                        | 3 15/16              | 9 1/2  | 4 7/8   | 3/4     | 4 1/16  | 3 3/8   | 7/8    | 6 5/16  | 29.20          |
|                      | 2 11/16        | ZBS5211     |        |       | ZB5211      |         |        |                               |                      |        |         |         |         |         |        |         | 28.20          |
|                      | 2 15/16        | ZBS5215     | ZB5215 | 27.70 |             |         |        |                               |                      |        |         |         |         |         |        |         |                |
|                      | 70.00          | ZBS5070MM   | 158.75 | 22.23 | ZB5070MM    | 158.75  | 22.23  | 141.29                        | 100.01               | 241.30 | 123.83  | 19.00   | 103.20  | 85.730  | 22.23  | 160.340 | 12.80          |
| 75.00                | ZBS5075MM      | ZB5075MM    |        |       | 12.60       |         |        |                               |                      |        |         |         |         |         |        |         |                |
| <b>4-Bolt Square</b> |                |             |        |       |             |         |        |                               |                      |        |         |         |         |         |        |         |                |
| 10                   | 3 3/16         | ZBS5303     | 7 3/8  | 1 3/8 | ZB5303      | 7 3/8   | 1      | 6 23/32                       | 4 3/4                | 8 7/16 | 5 5/16  | 3/4     | 4 29/32 | 3 31/32 | 15/16  | 7 3/8   | 39.60          |
|                      | 3 7/16         | ZBS5307     |        |       | ZB5307      |         |        |                               |                      |        |         |         |         |         |        |         | 37.70          |
|                      | 80.00          | ZBS5080MM   | 187.33 | 34.93 | ZB5080MM    | 187.33  | 25.40  | 170.66                        | 120.65               | 214.31 | 134.94  | 19.00   | 124.62  | 100.810 | 23.81  | 187.330 | 18.00          |
|                      | 85.00          | ZBS5085MM   |        |       | ZB5085MM    |         |        |                               |                      |        |         |         |         |         |        |         | 17.00          |
| 90.00                | ZBS5090MM      | ZB5090MM    | 16.50  |       |             |         |        |                               |                      |        |         |         |         |         |        |         |                |
| 11                   | 3 11/16        | ZBS5311     | 8 3/8  | 1 1/2 | ZB5311      | 8 1/2   | 1 3/16 | 7 19/32                       | 5 3/8                | 9 3/4  | 6 1/8   | 7/8     | 5 5/8   | 4 9/16  | 1 1/32 | 8 1/2   | 61.50          |
|                      | 3 15/16        | ZBS5315     |        |       | ZB5315      |         |        |                               |                      |        |         |         |         |         |        |         | 60.50          |
|                      | 4              | ZBS5400     | ZB5400 | 59.50 |             |         |        |                               |                      |        |         |         |         |         |        |         |                |
|                      | 100.00         | ZBS5100MM   | 212.73 | 38.10 | ZB5100MM    | 215.90  | 30.20  | 192.89                        | 136.53               | 247.65 | 155.58  | 22.00   | 142.90  | 115.890 | 26.19  | 215.900 | 27.50          |

### Additional Notes

- Please call 1-866-REXNORD for availability
- Metric bore sizes available, see Rex Interchangeability guide
- Lubrication fitting tap size, 1/8" PT
- Bore size = nominal shaft size +.001 in/-.000 in (+0.03 mm/-0.00 mm)
- Machined pilot available, add suffix S
- Seals - To specify K or M seal, replace "Z" in part number with "K" or "M"
- Auxiliary end caps - available in all size codes except for size codes 4 thru 6 and expansion units

- Also not available on size code 7 on flange side of non-piloted bearings and size code 7 thru 9 on flange side of piloted bearings
- Pilot Diameter tolerance, +.000 in/-.003 in (+0.00 mm/-0.08 mm)
- For the Selection Guide, Load Ratings and Speed Limits, see the Rex Spherical Roller Bearings Engineering section
- Note: Dimensions subject to change. Certified dimensions of ordered material furnished on request.



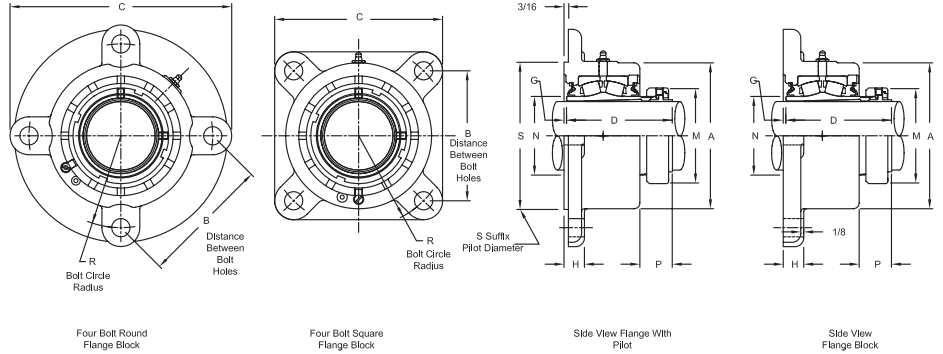
# ZB6000, ZBS6000



Photo Shows a 4-Bolt Spherical Roller Bearing Flanged Unit

## Product Features

- Spyglass™ Optical Strain Sensor (OSS) Technology
- Positive locking system
- Tapered adapter sleeve
- Corrosion-resistant powder coating
- Cast iron housing
- Misalignment capabilities - total of 4°
- Broad range of sealing options
- Factory set clearance & lubrication
- Precision ground & superfinished raceways
- See Features & Benefits for additional info.



## Bearing Dimensions

| Size Code            | Shaft Diameter | Expansion        |               |              | Fixed           |               |              | B Distance Between Bolt Holes | R Bolt Circle Radius | C             | D             | F Bolts      | G           | M             | N              | P            | S              | Approx. Weight |
|----------------------|----------------|------------------|---------------|--------------|-----------------|---------------|--------------|-------------------------------|----------------------|---------------|---------------|--------------|-------------|---------------|----------------|--------------|----------------|----------------|
|                      |                | Part Number      | A             | H            | Part Number     | A             | H            |                               |                      |               |               |              |             |               |                |              |                |                |
| <b>3-Bolt</b>        |                |                  |               |              |                 |               |              |                               |                      |               |               |              |             |               |                |              |                |                |
| 4                    | 1 7/16         | ZBS6107          | 3 3/4         | 5/8          | ZB6107          | 3 7/16        | 5/8          | 4 21/64                       | 2 1/2                | 6 1/4         | 3 21/64       | 1/2          | 1/32        | 2 25/64       | 1 3/4          | 1 9/64       | 3 9/16         | 6.80           |
| <b>4-Bolt Round</b>  |                |                  |               |              |                 |               |              |                               |                      |               |               |              |             |               |                |              |                |                |
| 5                    | 1 11/16        | ZBS6111          | 4 1/4         | 5/8          | ZB6111          | 3 15/16       | 5/8          | 3 57/64                       | 2 3/4                | 6 3/4         | 3 47/64       | 1/2          | 1/32        | 2 41/64       | 2 1/32         | 1 9/32       | 4 1/16         | 8.60           |
| 6                    | 1 15/16        | ZBS6115          | 4 1/2         | 11/16        | ZB6115          | 4 1/4         | 11/16        | 4 1/16                        | 2 7/8                | 7             | 3 41/64       | 1/2          | 1/16        | 2 55/64       | 2 5/16         | 1 1/8        | 4 3/8          | 9.80           |
|                      | <b>45.00</b>   | <b>ZBS6045MM</b> | <b>114.30</b> | <b>17.46</b> | <b>ZB6045MM</b> | <b>107.95</b> | <b>17.46</b> | <b>103.19</b>                 | <b>73.03</b>         | <b>177.80</b> | <b>92.47</b>  | <b>13.00</b> | <b>1.59</b> | <b>72.63</b>  | <b>58.740</b>  | <b>28.58</b> | <b>111.130</b> | <b>4.20</b>    |
| 7                    | 2 3/16         | ZBS6203          | 4 7/8         | 11/16        | ZB6203          | 4 7/8         | 11/16        | 4 1/2                         | 3 3/16               | 7 3/4         | 3 11/16       | 5/8          | 3/32        | 3 15/64       | 2 5/8          | 1 5/32       | 5              | 13.30          |
|                      | <b>55.00</b>   | <b>ZBS6055MM</b> | <b>123.83</b> | <b>17.46</b> | <b>ZB6055MM</b> | <b>123.83</b> | <b>17.46</b> | <b>114.30</b>                 | <b>80.96</b>         | <b>196.85</b> | <b>93.66</b>  | <b>16.00</b> | <b>2.38</b> | <b>82.15</b>  | <b>66.680</b>  | <b>29.37</b> | <b>127.000</b> | <b>6.50</b>    |
| 8                    | 2 3/8          | ZBS6206          | 5 3/8         | 3/4          | ZB6206          | 5 3/8         | 3/4          | 4 49/64                       | 3 3/8                | 8 1/8         | 4 1/16        | 5/8          | 3/32        | 3 19/32       | 2 29/32        | 1 27/64      | 5 7/16         | 16.70          |
|                      | 2 7/16         | ZBS6207          | 5 3/8         | 3/4          | ZB6207          | 5 3/8         | 3/4          | 4 49/64                       | 3 3/8                | 8 1/8         | 4 1/16        | 5/8          | 3/32        | 3 19/32       | 2 29/32        | 1 27/64      | 5 7/16         | 16.60          |
| 9                    | 2 11/16        | ZBS6211          | 6 1/4         | 7/8          | ZB6211          | 6 1/4         | 7/8          | 5 9/16                        | 3 15/16              | 9 1/2         | 4 17/32       | 3/4          | 3/32        | 4 3/32        | 3 3/8          | 1 25/64      | 6 5/16         | 26.50          |
|                      | 2 3/4          | ZBS6212          | 6 1/4         | 7/8          | ZB6212          | 6 1/4         | 7/8          | 5 9/16                        | 3 15/16              | 9 1/2         | 4 17/32       | 3/4          | 3/32        | 4 3/32        | 3 3/8          | 1 25/64      | 6 5/16         | 26.10          |
| 9                    | 2 15/16        | ZBS6215          | 6 1/4         | 7/8          | ZB6215          | 6 1/4         | 7/8          | 5 9/16                        | 3 15/16              | 9 1/2         | 4 17/32       | 3/4          | 3/32        | 4 3/32        | 3 3/8          | 1 25/64      | 6 5/16         | 25.60          |
|                      | <b>70.00</b>   | <b>ZBS6070MM</b> | <b>158.75</b> | <b>22.23</b> | <b>ZB6070MM</b> | <b>158.75</b> | <b>22.23</b> | <b>141.29</b>                 | <b>100.01</b>        | <b>241.30</b> | <b>115.09</b> | <b>19.00</b> | <b>2.38</b> | <b>103.98</b> | <b>85.730</b>  | <b>35.32</b> | <b>160.340</b> | <b>12.80</b>   |
|                      | <b>75.00</b>   | <b>ZBS6075MM</b> | <b>158.75</b> | <b>22.23</b> | <b>ZB6075MM</b> | <b>158.75</b> | <b>22.23</b> | <b>141.29</b>                 | <b>100.01</b>        | <b>241.30</b> | <b>115.09</b> | <b>19.00</b> | <b>2.38</b> | <b>103.98</b> | <b>85.730</b>  | <b>35.32</b> | <b>160.340</b> | <b>12.60</b>   |
| <b>4-Bolt Square</b> |                |                  |               |              |                 |               |              |                               |                      |               |               |              |             |               |                |              |                |                |
| 10                   | 3 3/16         | ZBS6303          | 7 3/8         | 1 3/8        | ZB6303          | 7 3/8         | 1            | 6 29/32                       | 4 3/4                | 8 7/16        | 5 1/32        | 3/4          | 1/4         | 4 61/64       | 3 31/32        | 1 19/32      | 7 3/8          | 37.00          |
|                      | 3 7/16         | ZBS6307          | 7 3/8         | 1 3/8        | ZB6307          | 7 3/8         | 1            | 6 29/32                       | 4 3/4                | 8 7/16        | 5 1/32        | 3/4          | 1/4         | 4 61/64       | 3 31/32        | 1 19/32      | 7 3/8          | 34.60          |
| 10                   | <b>80.00</b>   | <b>ZBS6080MM</b> | <b>187.33</b> | <b>34.93</b> | <b>ZB6080MM</b> | <b>187.33</b> | <b>25.40</b> | <b>170.66</b>                 | <b>120.65</b>        | <b>214.31</b> | <b>127.79</b> | <b>19.00</b> | <b>6.35</b> | <b>125.81</b> | <b>100.810</b> | <b>40.48</b> | <b>187.330</b> | <b>18.00</b>   |
|                      | <b>85.00</b>   | <b>ZBS6085MM</b> | <b>187.33</b> | <b>34.93</b> | <b>ZB6085MM</b> | <b>187.33</b> | <b>25.40</b> | <b>170.66</b>                 | <b>120.65</b>        | <b>214.31</b> | <b>127.79</b> | <b>19.00</b> | <b>6.35</b> | <b>125.81</b> | <b>100.810</b> | <b>40.48</b> | <b>187.330</b> | <b>17.00</b>   |
| 11                   | 3 11/16        | ZBS6311          | 8 3/8         | 1 1/2        | ZB6311          | 8 1/2         | 1 3/16       | 7 19/32                       | 5 3/8                | 9 3/4         | 5 25/32       | 7/8          | 1/4         | 5 43/64       | 4 9/16         | 1 47/64      | 8 1/2          | 59.00          |
|                      | 3 15/16        | ZBS6315          | 8 3/8         | 1 1/2        | ZB6315          | 8 1/2         | 1 3/16       | 7 19/32                       | 5 3/8                | 9 3/4         | 5 25/32       | 7/8          | 1/4         | 5 43/64       | 4 9/16         | 1 47/64      | 8 1/2          | 56.00          |
|                      | <b>100.00</b>  | <b>ZBS6100MM</b> | <b>212.73</b> | <b>38.10</b> | <b>ZB6100MM</b> | <b>215.90</b> | <b>30.20</b> | <b>192.89</b>                 | <b>136.53</b>        | <b>247.65</b> | <b>146.84</b> | <b>22.00</b> | <b>6.35</b> | <b>144.07</b> | <b>115.890</b> | <b>44.05</b> | <b>215.900</b> | <b>27.50</b>   |

## Additional Notes

- Please call 1-866-REXNORD for availability
- Lubrication fitting tap size, 1/8" PT
- Machined pilot available, add suffix S
- Seals - To specify K or M seal, replace "Z" in part number with "K" or "M"
- Auxiliary end caps - available in all size codes except for size code 4 thru 6 and expansion units
- Also not available on size code 7 on flange side of non-piloted bearings and size code 7 thru 9 on flange side of piloted bearings

Pilot Diameter tolerance, +.000 in/- .003 in (**+0.00 mm/-0.08 mm**)  
 For the Selection Guide, Load Ratings and Speed Limits, see the Rex Spherical Roller Bearings Engineering section  
 Note: Dimensions subject to change. Certified dimensions of ordered material furnished on request.

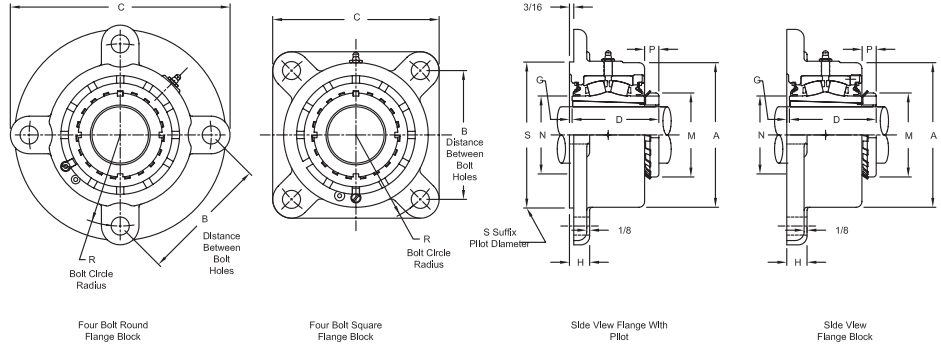
## ZB9000, ZBS9000



Photo Shows a 4-Bolt Spherical Roller Bearing Flanged Unit

### Product Features

- Corrosion-resistant powder coating
- Cast iron housing
- Misalignment capabilities - total of 4°
- Broad range of sealing options
- Factory set clearance & lubrication
- Precision ground & superfinished raceways
- Enhanced life mounting style
- Field interchangeable seals
- See Features & Benefits for additional info.



### Bearing Dimensions

| Size Code            | Shaft Diameter | Expansion   |        |       | Fixed       |        |        | B Distance Between Bolt Holes | R Bolt Circle Radius | C      | D       | F Bolts | G    | M       | N       | P     | S       | Approx. Weight |
|----------------------|----------------|-------------|--------|-------|-------------|--------|--------|-------------------------------|----------------------|--------|---------|---------|------|---------|---------|-------|---------|----------------|
|                      |                | Part Number | A      | H     | Part Number | A      | H      |                               |                      |        |         |         |      |         |         |       |         |                |
| <b>4-Bolt Round</b>  |                |             |        |       |             |        |        |                               |                      |        |         |         |      |         |         |       |         |                |
| 7                    | 1 15/16        | ZBS9115     |        |       | ZB9115      |        |        |                               |                      |        |         |         |      |         |         |       |         | 13.50          |
|                      | 2              | ZBS9200     | 4 7/8  | 11/16 | ZB9200      | 4 7/8  | 11/16  | 4 1/2                         | 3 3/16               | 7 3/4  | 3 5/32  | 5/8     | 3/32 | 2 31/32 | 2 5/8   | 19/32 | 5       | 13.40          |
|                      | 45.00          | ZBS9045MM   | 123.83 | 17.46 | ZB9045MM    | 123.83 | 17.46  | 114.30                        | 80.96                | 196.85 | 80.17   | 16.00   | 2.38 | 75.40   | 66.680  | 15.08 | 127.000 | 6.40           |
|                      | 50.00          | ZBS9050MM   |        |       | ZB9050MM    |        |        |                               |                      |        |         |         |      |         |         |       |         | 6.10           |
| 8                    | 2 3/16         | ZBS9203     | 5 3/8  | 3/4   | ZB9203      | 5 3/8  | 3/4    | 4 49/64                       | 3 3/8                | 8 1/8  | 3 11/32 | 5/8     | 3/32 | 3 3/8   | 2 29/32 | 23/32 | 5 7/16  | 17.00          |
|                      | 55.00          | ZBS9055MM   | 136.53 | 19.05 | ZB9055MM    | 136.53 | 19.05  | 121.06                        | 85.73                | 206.38 | 84.93   | 16.00   | 2.38 | 85.73   | 73.810  | 18.26 | 138.110 | 7.70           |
| 9                    | 2 7/16         | ZBS9207     | 6 1/4  | 7/8   | ZB9207      | 6 1/4  | 7/8    | 5 9/16                        | 3 15/16              | 9 1/2  | 3 3/4   | 3/4     | 3/32 | 3 5/8   | 3 3/8   | 5/8   | 6 5/16  | 25.80          |
|                      | 2 1/2          | ZBS9208     |        |       | ZB9208      |        |        |                               |                      |        |         |         |      |         |         |       |         | 25.40          |
| <b>4-Bolt Square</b> |                |             |        |       |             |        |        |                               |                      |        |         |         |      |         |         |       |         |                |
| 10                   | 2 11/16        | ZBS9211     |        |       | ZB9211      |        |        |                               |                      |        |         |         |      |         |         |       |         | 38.20          |
|                      | 2 15/16        | ZBS9215     | 7 3/8  | 1 3/8 | ZB9215      | 7 3/8  | 1      | 6 23/32                       | 4 3/4                | 8 7/16 | 4 1/4   | 3/4     | 1/4  | 4 13/32 | 3 31/32 | 13/16 | 7 3/8   | 37.00          |
|                      | 3              | ZBS9300     |        |       | ZB9300      |        |        |                               |                      |        |         |         |      |         |         |       |         | 36.50          |
|                      | 75.00          | ZBS9075MM   | 187.33 | 34.93 | ZB9075MM    | 187.33 | 25.40  | 170.66                        | 120.65               | 214.31 | 107.95  | 19.00   | 6.35 | 111.92  | 100.810 | 20.64 | 187.330 | 16.80          |
| 11                   | 3 3/16         | ZBS9303     | 8 3/8  | 1 1/2 | ZB9303      | 8 1/2  | 1 3/16 | 7 19/32                       | 5 3/8                | 9 3/4  | 5       | 7/8     | 1/4  | 5 3/16  | 4 9/16  | 15/16 | 8 1/2   | 62.00          |
|                      | 3 7/16         | ZBS9307     |        |       | ZB9307      |        |        |                               |                      |        |         |         |      |         |         |       |         | 60.00          |
|                      | 80.00          | ZBS9080MM   | 212.73 | 38.10 | ZB9080MM    | 215.90 | 30.20  | 192.89                        | 136.53               | 247.65 | 127.00  | 22.00   | 6.35 | 131.76  | 115.890 | 23.81 | 215.900 | 28.10          |

### Additional Notes

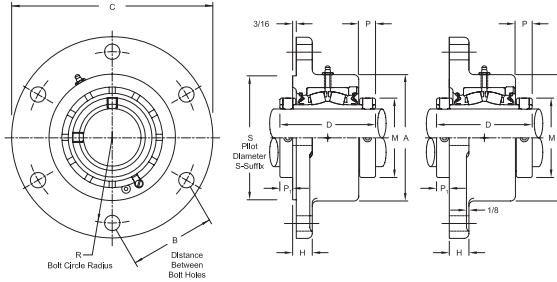
- Please call 1-866-REXNORD for availability
- Lubrication fitting tap size, 1/8" PT
- Machined pilot available, add suffix S
- Seals - To specify K or M seal, replace "Z" in part number with "K" or "M"
- Auxiliary end caps - available in all size codes except for size code 7 on flange side of non-piloted bearings and size code 7 thru 9 on flange side of piloted bearings and expansion units
- Pilot Diameter tolerance, +.000 in/-.003 in (+0.00 mm/-0.08 mm)
- For the Selection Guide, Load Ratings and Speed Limits, see the Rex Spherical Roller

Bearings Engineering section  
 Note: Dimensions subject to change. Certified dimensions of ordered material furnished on request.

# ZF5000, ZFS5000



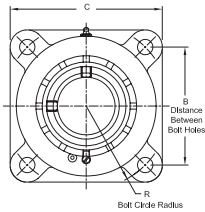
Photo Shows a 6-Bolt Spherical Roller Bearing Flanged Unit



Six Bolt Round Flange Block

Side View Flange Block With Pilot

Full Side View Flange Block Fixed



Four Bolt Square Flange Block

Full Side View Square Flange Block Floating

## Product Features

- Corrosion-resistant powder coating
- Cast iron housing
- Misalignment capabilities - total of 4°
- Broad range of sealing options
- Factory set clearance & lubrication
- Precision ground & superfinished raceways
- Two hardened spring locking collars
- Field interchangeable seals
- Fixed or Expansion - up to 3/4" expansion
- See Features & Benefits for additional info.

## Bearing Dimensions

| Size Code            | Shaft Diameter | Expansion   |           |         |       |         |                | Fixed       |          |         |        |         |                | B Distance Between Bolt Holes | R Bolt Circle Radius | C       | D       | H      | M       | P1     |       |
|----------------------|----------------|-------------|-----------|---------|-------|---------|----------------|-------------|----------|---------|--------|---------|----------------|-------------------------------|----------------------|---------|---------|--------|---------|--------|-------|
|                      |                | Part Number | A         | F Bolts | P     | S       | Approx. Weight | Part Number | A        | F Bolts | P      | S       | Approx. Weight |                               |                      |         |         |        |         |        |       |
| <b>4-Bolt Square</b> |                |             |           |         |       |         |                |             |          |         |        |         |                |                               |                      |         |         |        |         |        |       |
| 4                    | 1 7/16         | ZFS5107     | 4 7/16    | 1/2     | 15/32 | 4 7/16  | 9.60           | ZF5107      | 3 11/16  | 1/2     | 11/16  | 3 9/16  | 7.60           | 3 23/32                       | 2 5/8                | 4 15/16 | 3 9/16  | 5/8    | 2 5/16  | 1/2    |       |
|                      |                | 35.00       | ZFS5035MM | 112.71  | 13.00 | 11.89   | 112.710        | 4.40        | ZF5035MM | 93.66   | 13.00  | 17.46   | 90.490         | 3.40                          | 94.46                | 66.68   | 125.41  | 90.49  | 15.88   | 58.74  | 12.70 |
| 5                    | 1 1/2          | ZFS5108     | 5         | 1/2     | 13/32 | 4 3/4   | 12.60          | ZF5108      | 4 1/4    | 1/2     | 11/16  | 4 1/16  | 10.40          | 3 57/64                       | 2 3/4                | 5 1/8   | 3 13/16 | 5/8    | 2 19/32 | 15/32  |       |
|                      |                | 1 11/16     |           |         |       |         | ZFS5111        | 12.30       |          |         |        |         | ZF5111         |                               |                      |         |         |        |         |        | 9.70  |
|                      |                | 40.00       |           |         |       |         | ZFS5040MM      | 5.70        |          |         |        |         | ZF5040MM       |                               |                      |         |         |        |         |        | 4.70  |
|                      |                | 45.00       |           |         |       |         | ZFS5045MM      | 5.60        |          |         |        |         | ZF5045MM       |                               |                      |         |         |        |         |        | 4.40  |
|                      |                |             | 127.00    | 13.00   | 10.31 | 120.650 |                |             | 107.95   | 13.00   | 17.46  | 103.190 |                | 98.83                         | 69.85                | 130.18  | 96.84   | 15.88  | 65.88   | 11.89  |       |
| 6                    | 1 15/16        | ZFS5115     | 5 1/8     | 1/2     | 13/32 | 5 1/8   | 12.80          | ZF5115      | 4 1/2    | 1/2     | 11/16  | 4 3/8   | 10.40          | 4 1/16                        | 2 7/8                | 5 5/16  | 3 13/16 | 5/8    | 2 7/8   | 15/32  |       |
|                      |                | 50.00       | ZFS5050MM | 130.18  | 13.00 | 10.31   | 130.180        | 5.80        | ZF5050MM | 114.30  | 13.00  | 17.46   | 111.130        | 4.70                          | 103.19               | 73.03   | 134.94  | 96.84  | 15.88   | 73.03  | 11.89 |
| 7                    | 2              | ZFS5200     | 5 3/4     | 5/8     | 1/2   | 5 5/8   | 18.00          | ZF5200      | 5        | 5/8     | 13/16  | 5       | 14.40          | 4 1/2                         | 3 3/16               | 5 7/8   | 4 1/8   | 11/16  | 3 1/4   | 2 1/32 |       |
|                      |                | 2 3/16      |           |         |       |         | ZFS5203        | 17.30       |          |         |        |         | ZF5203         |                               |                      |         |         |        |         |        | 13.70 |
|                      |                | 55.00       |           |         |       |         | ZFS5055MM      | 146.05      |          |         |        |         | 16.00          |                               |                      |         |         |        |         |        | 12.70 |
| 8                    | 2 7/16         | ZFS5207     | 6         | 5/8     | 9/16  | 6       | 20.30          | ZF5207      | 5 1/2    | 5/8     | 7/8    | 5 7/16  | 17.50          | 5 1/32                        | 3 9/16               | 6 7/16  | 4 3/8   | 3/4    | 3 9/16  | 5/8    |       |
|                      |                | 60.00       | ZFS5060MM | 152.40  | 16.00 | 14.29   | 152.400        | 9.20        | ZF5060MM | 139.70  | 16.00  | 22.23   | 138.110        | 7.90                          | 127.80               | 90.49   | 163.51  | 111.13 | 19.05   | 90.50  | 15.88 |
|                      |                | 65.00       | ZFS5065MM |         |       |         |                | 8.70        | ZF5065MM |         |        |         | 7.50           |                               |                      |         |         |        |         |        |       |
|                      |                |             |           |         |       |         |                |             |          |         |        |         |                |                               |                      |         |         |        |         |        |       |
| 9                    | 2 1/2          | ZFS5208     | 7 1/8     | 3/4     | 5/8   | 7 1/8   | 35.40          | ZF5208      | 6 1/2    | 3/4     | 7/8    | 6 5/16  | 29.90          | 6 1/64                        | 4 1/4                | 7 3/4   | 4 7/8   | 7/8    | 4 1/16  | 2 1/32 |       |
|                      |                | 2 11/16     |           |         |       |         | ZFS5211        | 34.10       |          |         |        |         | ZF5211         |                               |                      |         |         |        |         |        | 28.90 |
|                      |                | 2 15/16     |           |         |       |         | ZFS5215        | 33.20       |          |         |        |         | ZF5215         |                               |                      |         |         |        |         |        | 26.90 |
|                      |                | 70.00       |           |         |       |         | ZFS5070MM      | 15.50       |          |         |        |         | ZF5070MM       |                               |                      |         |         |        |         |        | 13.10 |
|                      |                |             | 180.98    | 19.00   | 15.88 | 180.980 | 15.10          | ZF5075MM    | 165.10   | 19.00   | 22.23  | 160.340 | 12.20          | 152.80                        | 107.95               | 196.85  | 123.83  | 22.23  | 103.20  | 16.66  |       |
| 10                   | 3 3/16         | ZFS5303     | 8         | 3/4     | 9/16  | 8       | 47.00          | ZF5303      | 7 3/8    | 3/4     | 15/16  | 7 3/8   | 40.00          | 6 23/32                       | 4 3/4                | 8 7/16  | 5 5/16  | 1      | 4 29/32 | 11/16  |       |
|                      |                | 3 7/16      |           |         |       |         | ZFS5307        | 45.50       |          |         |        |         | ZF5307         |                               |                      |         |         |        |         |        | 38.00 |
|                      |                | 80.00       |           |         |       |         | ZFS5080MM      | 21.30       |          |         |        |         | ZF5080MM       |                               |                      |         |         |        |         |        | 18.10 |
|                      |                | 85.00       |           |         |       |         | ZFS5085MM      | 20.60       |          |         |        |         | ZF5085MM       |                               |                      |         |         |        |         |        | 17.20 |
|                      |                |             | 203.20    | 19.00   | 14.29 | 203.200 | 19.60          | ZF5090MM    | 187.33   | 19.00   | 23.81  | 187.330 | 16.20          | 170.67                        | 120.65               | 214.31  | 134.94  | 25.40  | 124.62  | 17.46  |       |
| 11                   | 3 11/16        | ZFS5311     | 9 1/2     | 1       | 5/8   | 9 1/2   | 80.00          | ZF5311      | 8 7/8    | 1       | 1 1/32 | 8 7/8   | 71.00          | 8 5/16                        | 5 7/8                | 10 9/16 | 6 1/8   | 1 1/8  | 5 5/8   | 13/16  |       |
|                      |                | 3 15/16     |           |         |       |         | ZFS5315        | 77.00       |          |         |        |         | ZF5315         |                               |                      |         |         |        |         |        | 69.00 |
|                      |                | 4           |           |         |       |         | ZFS5400        | 76.00       |          |         |        |         | ZF5400         |                               |                      |         |         |        |         |        | 68.00 |
|                      |                | 100.00      |           |         |       |         | ZFS5100MM      | 241.30      |          |         |        |         | 25.00          |                               |                      |         |         |        |         |        | 15.88 |
| <b>6-Bolt Round</b>  |                |             |           |         |       |         |                |             |          |         |        |         |                |                               |                      |         |         |        |         |        |       |
| 12                   | 4 3/16         | ZFS5403Y    | 11 5/8    | 1       | 11/16 | 11 5/8  | 127.00         | ZF5403Y     | 9 1/2    | 1       | 1 1/16 | 10 3/8  | 98.00          | 6 7/16                        | 6 7/16               | 15 1/8  | 6 1/4   | 1 1/4  | 6 3/16  | 3/4    |       |
|                      |                | 4 7/16      |           |         |       |         | ZFS5407Y       | 124.00      |          |         |        |         | ZF5407Y        |                               |                      |         |         |        |         |        | 96.00 |
|                      |                | 4 1/2       |           |         |       |         | ZFS5408Y       | 123.00      |          |         |        |         | ZF5408Y        |                               |                      |         |         |        |         |        | 95.00 |
|                      |                | 110.00      |           |         |       |         | ZFS5110MM      | 295.28      |          |         |        |         | 25.00          |                               |                      |         |         |        |         |        | 17.46 |
|                      |                |             |           |         |       |         |                |             |          |         |        |         |                |                               |                      |         |         |        |         |        |       |
|                      |                |             |           |         |       |         |                |             |          |         |        |         |                |                               |                      |         |         |        |         |        |       |
| 13                   | 4 15/16        | ZFS5415     | 12 9/16   | 1       | 23/32 | 12 9/16 | 184.00         | ZF5415      | 11 3/16  | 1 1/8   | 1 5/32 | 11 3/16 | 159.00         | 7                             | 7                    | 16 1/2  | 7 7/8   | 1 1/2  | 7 1/16  | 3/4    |       |

Continued...

Continued...

**Bearing Dimensions**

| Size Code                       | Shaft Diameter | Expansion   |                                 |         |                               |                                 |                | Fixed       |                                 |                               |                                |                                 |                | B Distance Between Bolt Holes | R Bolt Circle Radius | C                              | D                             | H                             | M                              | P1                          |
|---------------------------------|----------------|-------------|---------------------------------|---------|-------------------------------|---------------------------------|----------------|-------------|---------------------------------|-------------------------------|--------------------------------|---------------------------------|----------------|-------------------------------|----------------------|--------------------------------|-------------------------------|-------------------------------|--------------------------------|-----------------------------|
|                                 |                | Part Number | A                               | F Bolts | P                             | S                               | Approx. Weight | Part Number | A                               | F Bolts                       | P                              | S                               | Approx. Weight |                               |                      |                                |                               |                               |                                |                             |
| <b>6-Bolt Round (continued)</b> |                |             |                                 |         |                               |                                 |                |             |                                 |                               |                                |                                 |                |                               |                      |                                |                               |                               |                                |                             |
| 13                              | 5              | ZFS5500     | 12 <sup>9</sup> / <sub>16</sub> | 1       | <sup>23</sup> / <sub>32</sub> | 12 <sup>9</sup> / <sub>16</sub> | 183.00         | ZF5500      | 11 <sup>3</sup> / <sub>16</sub> | 1 <sup>1</sup> / <sub>8</sub> | 1 <sup>3</sup> / <sub>16</sub> | 11 <sup>3</sup> / <sub>16</sub> | 156.00         | 7                             | 7                    | 16 <sup>1</sup> / <sub>2</sub> | 7 <sup>7</sup> / <sub>8</sub> | 1 <sup>1</sup> / <sub>2</sub> | 7 <sup>1</sup> / <sub>16</sub> | <sup>3</sup> / <sub>4</sub> |
|                                 | 125.00         | ZFS5125MM   | 319.09                          | 25.00   | 18.25                         | 319.090                         | 83.00          | ZF5125MM    | 284.16                          | 28.00                         | 29.37                          | 284.160                         | 72.00          | 177.80                        | 177.80               | 419.10                         | 200.03                        | 38.10                         | 179.39                         | 19.05                       |
|                                 | 130.00         | ZFS5130MM   |                                 |         |                               |                                 |                | ZF5130MM    |                                 |                               |                                |                                 | 71.00          |                               |                      |                                |                               |                               |                                |                             |

**Additional Notes**

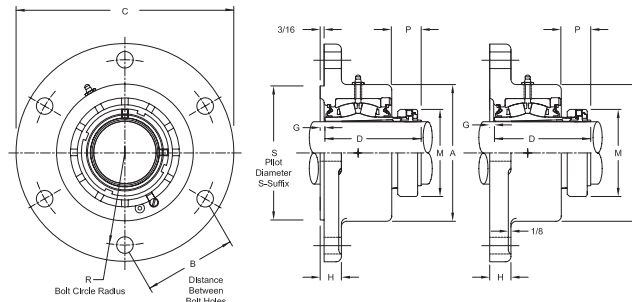
Please call 1-866-REXNORD for availability  
 Metric bore sizes available, see Rex Interchangeability guide  
 Lubrication fitting tap size: for size code 4 thru 11, 1/8" PT; for all other size codes, 1/4" PT  
 Bore size = nominal shaft size +.001 in/-.000 in (**+0.03 mm/-0.00 mm**)  
 Machined pilot available, add suffix S  
 Expansion - size code 4 thru 8 is 3/8", size code 9 thru 11 is 1/2" & size code 12 thru 13 is 3/4"  
 Seals - To specify K or M seal, replace "Z" in part number with "K" or "M"

"K" seals only available in size codes 4 thru 11  
 Auxiliary end caps - available in all size codes except for size codes 4 thru 6 on flange side of piloted bearings and size code 12 ZFS bearings  
 Pilot Diameter tolerance, +.000 in/-.003 in (**+0.00 mm/-0.08 mm**)  
 For the Selection Guide, Load Ratings and Speed Limits, see the Rex Spherical Roller Bearings Engineering section  
 Note: Dimensions subject to change. Certified dimensions of ordered material furnished on request.

# ZF6000, ZFS6000



Photo Shows a 4-Bolt Spherical Roller Bearing Flanged Unit



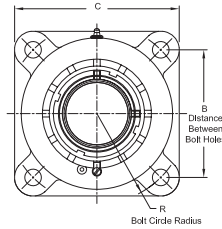
Six Bolt Round Flange Block

Side View Flange Block With Pilot

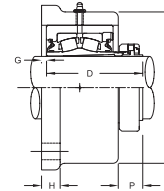
Full Side View Flange Block Fixed

## Product Features

- Spyglass™ Optical Strain Sensor (OSS) Technology
- Positive locking system
- Tapered adapter sleeve
- Corrosion-resistant powder coating
- Cast iron housing
- Misalignment capabilities - total of 4°
- Broad range of sealing options
- Factory set clearance & lubrication
- Precision ground & superfinished raceways
- See Features & Benefits for additional info.



Four Bolt Square Flange Block



Full Side View Square Flange Block Floating

## Bearing Dimensions

| Size Code            | Shaft Diameter | Expansion   |         |         |         |         |                | Fixed       |         |         |         |         |                | B Distance Between Bolt Holes | R Bolt Circle Radius | C       | D       | H      | M       |
|----------------------|----------------|-------------|---------|---------|---------|---------|----------------|-------------|---------|---------|---------|---------|----------------|-------------------------------|----------------------|---------|---------|--------|---------|
|                      |                | Part Number | A       | F Bolts | P       | S       | Approx. Weight | Part Number | A       | F Bolts | P       | S       | Approx. Weight |                               |                      |         |         |        |         |
| <b>4-Bolt Square</b> |                |             |         |         |         |         |                |             |         |         |         |         |                |                               |                      |         |         |        |         |
| 4                    | 1 7/16         | ZFS6107     | 4 7/16  |         | 1 9/64  | 4 7/16  | 7.10           | ZF6107      | 4 7/16  |         | 1 9/64  | 3 9/16  | 7.10           | 3 23/32                       | 2 5/8                | 4 15/16 | 3 21/64 |        | 2 25/64 |
| 5                    | 1 11/16        | ZFS6111     | 5       | 1/2     | 1 9/32  | 4 3/4   | 9.10           | ZF6111      | 4 3/4   | 1/2     | 1 9/32  | 4 1/16  | 9.10           | 3 57/64                       | 2 3/4                | 5 1/8   | 3 47/64 | 5/8    | 2 41/64 |
| 6                    | 1 15/16        | ZFS6115     | 5 1/8   |         | 1       | 5 1/8   | 12.80          | ZF6115      | 4 1/2   |         | 1 1/8   | 4 3/8   | 10.40          | 4 1/16                        | 2 7/8                | 5 5/16  | 3 41/64 |        | 2 55/64 |
|                      | 45.00          | ZFS6045MM   | 130.18  | 13.00   | 25.40   | 130.180 | 5.80           | ZF6045MM    | 114.30  | 13.00   | 28.58   | 111.130 | 4.70           | 103.19                        | 73.03                | 134.94  | 92.47   | 15.88  | 72.63   |
| 7                    | 2 3/16         | ZFS6203     | 5 3/4   | 5/8     | 1 1/16  | 5 5/8   | 17.30          | ZF6203      | 5       | 5/8     | 1 5/32  | 5       | 13.70          | 4 1/2                         | 3 3/16               | 5 7/8   | 3 11/16 | 1 1/16 | 3 15/64 |
|                      | 55.00          | ZFS6055MM   | 146.05  | 16.00   | 26.99   | 142.880 | 7.80           | ZF6055MM    | 127.00  | 16.00   | 29.37   | 127.000 | 6.20           | 114.30                        | 80.96                | 149.23  | 93.66   | 17.46  | 82.15   |
| 8                    | 2 3/8          | ZFS6206     | 6       | 5/8     | 1 19/64 | 6       | 20.60          | ZF6206      | 5 1/2   | 5/8     | 1 27/64 | 5 7/16  | 17.80          | 5 1/32                        | 3 9/16               | 6 7/16  | 4 1/16  | 3/4    | 3 19/32 |
|                      | 2 7/16         | ZFS6207     |         |         |         |         | 20.30          | ZF6207      |         |         |         |         | 17.50          |                               |                      |         |         |        |         |
| 9                    | 2 11/16        | ZFS6211     | 7 1/8   | 3/4     | 1 17/64 | 7 1/8   | 35.40          | ZF6211      | 6 1/2   | 3/4     | 1 25/64 | 6 5/16  | 29.90          | 6 1/64                        | 4 1/4                | 7 3/4   | 4 17/32 | 7/8    | 4 3/32  |
|                      | 2 3/4          | ZFS6212     |         |         |         |         | 34.70          | ZF6212      |         |         |         |         | 29.20          |                               |                      |         |         |        |         |
| 9                    | 2 15/16        | ZFS6215     | 7 1/8   | 3/4     | 1 17/64 | 7 1/8   | 34.10          | ZF6215      | 6 1/2   | 3/4     | 1 25/64 | 6 5/16  | 28.90          | 6 1/64                        | 4 1/4                | 7 3/4   | 4 17/32 | 7/8    | 4 3/32  |
|                      | 70.00          | ZFS6070MM   |         |         |         |         | 15.50          | ZF6070MM    |         |         |         |         | 13.10          |                               |                      |         |         |        |         |
| 9                    | 75.00          | ZFS6075MM   | 180.98  | 19.00   | 32.15   | 180.980 | 15.10          | ZF6075MM    | 165.10  | 19.00   | 35.32   | 160.340 | 12.20          | 152.80                        | 107.95               | 196.85  | 115.09  | 22.23  | 103.98  |
|                      | 10             | 3 3/16      | ZFS6303 | 8       | 3/4     | 1 15/32 | 8              | 47.00       | ZF6303  | 7 3/8   | 3/4     | 1 19/32 | 7 3/8          | 40.00                         | 6 23/32              | 4 3/4   | 8 7/16  | 5 1/32 | 1       |
| 3 7/16               |                | ZFS6307     | 45.50   |         |         |         |                | ZF6307      | 38.00   |         |         |         |                |                               |                      |         |         |        |         |
| 10                   | 80.00          | ZFS6080MM   | 203.20  | 19.00   | 37.31   | 203.200 | 21.30          | ZF6080MM    | 187.33  | 19.00   | 40.48   | 187.330 | 18.10          | 170.67                        | 120.65               | 214.31  | 127.79  | 25.40  | 125.81  |
|                      | 85.00          | ZFS6085MM   |         |         |         |         | 20.60          | ZF6085MM    |         |         |         |         | 17.20          |                               |                      |         |         |        |         |
| 11                   | 3 11/16        | ZFS6311     | 9 1/2   | 1       | 1 39/64 | 9 1/2   | 80.00          | ZF6311      | 8 7/8   | 1       | 1 47/64 | 8 7/8   | 71.00          | 8 5/16                        | 5 7/8                | 10 9/16 | 5 25/32 | 1 1/8  | 5 43/64 |
|                      | 3 15/16        | ZFS6315     |         |         |         |         | 77.00          | ZF6315      |         |         |         |         | 69.00          |                               |                      |         |         |        |         |
| 11                   | 100.00         | ZFS6100MM   | 241.30  | 25.00   | 40.87   | 241.300 | 35.00          | ZF6100MM    | 225.43  | 25.00   | 44.05   | 225.430 | 31.30          | 211.14                        | 149.23               | 268.29  | 146.84  | 28.58  | 144.07  |
| <b>6-Bolt Round</b>  |                |             |         |         |         |         |                |             |         |         |         |         |                |                               |                      |         |         |        |         |
| 12                   | 4 3/16         | ZFS6403Y    | 11 5/8  | 1       | 1 3/4   | 11 5/8  | 127.00         | ZF6403Y     | 9 1/2   | 1       | 1 7/8   | 10 3/8  | 98.00          | 6 7/16                        | 6 7/16               | 15 1/8  | 6 1/4   | 1 1/4  | 6 1/16  |
|                      | 4 7/16         | ZFS6407Y    |         |         |         |         | 124.00         | ZF6407Y     |         |         |         |         | 96.00          |                               |                      |         |         |        |         |
| 12                   | 110.00         | ZFS6110MM   | 295.28  | 25.00   | 44.45   | 295.280 | 56.00          | ZF6110MM    | 241.30  | 25.00   | 47.63   | 263.530 | 43.50          | 163.51                        | 163.51               | 384.18  | 158.75  | 31.75  | 153.99  |
| 13                   | 4 15/16        | ZFS6415     | 12 9/16 | 1       | 2 1/64  | 12 9/16 | 184.00         | ZF6415      | 11 3/16 | 1 1/8   | 2 1/4   | 11 3/16 | 159.00         | 7                             | 7                    |         | 7 15/16 | 1 1/2  | 6 61/64 |
|                      | 125.00         | ZFS6125MM   | 319.09  | 25.00   | 51.20   | 319.090 | 83.00          | ZF6125MM    | 284.16  | 28.00   | 57.15   | 284.160 | 72.00          | 177.80                        | 177.80               | 419.10  | 201.61  | 38.10  | 176.61  |

## Additional Notes

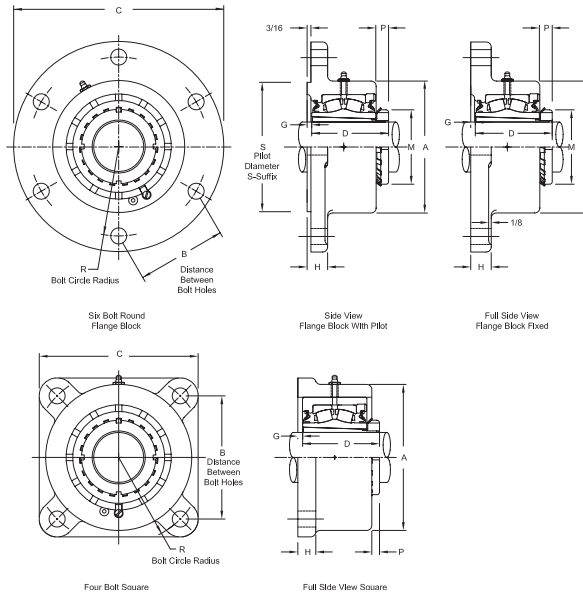
- Please call 1-866-REXNORD for availability
- Lubrication fitting tap size: for size code 6 thru 11, 1/8" PT; for all other size codes, 1/4" PT
- Machined pilot available, add suffix S
- Expansion - size code 6 thru 8 is 3/8", size code 9 thru 11 is 1/2" & size code 12 thru 13 is 3/4"
- Seals - To specify K or M seal, replace "Z" in part number with "K" or "M"
- "K" seals only available in size codes 6 thru 11

- Auxiliary end caps - available in all size codes except for size code 6 on flange side of piloted bearings and size code 12 ZFS bearings
- For the Selection Guide, Load Ratings and Speed Limits, see the Rex Spherical Roller Bearings Engineering section
- Note: Dimensions subject to change. Certified dimensions of ordered material furnished on request.

# ZF9000, ZFS9000



Photo Shows a 4-Bolt Spherical Roller Bearing Flanged Unit



## Product Features

- Corrosion-resistant powder coating
- Cast iron housing
- Misalignment capabilities - total of 4°
- Broad range of sealing options
- Factory set clearance & lubrication
- Precision ground & superfinished raceways
- Enhanced life mounting style
- Field interchangeable seals
- Fixed or Expansion - up to 3/4" expansion
- See Features & Benefits for additional info.

## Bearing Dimensions

| Size Code            | Shaft Diameter | Flange Block - Expansion |         |         |      |       |         |                | Flange Block - Fixed |         |         |       |        |         |                | B Distance Between Bolt Holes | R Bolt Circle Radius | C       | D       | H     | M       |
|----------------------|----------------|--------------------------|---------|---------|------|-------|---------|----------------|----------------------|---------|---------|-------|--------|---------|----------------|-------------------------------|----------------------|---------|---------|-------|---------|
|                      |                | Part Number              | A       | F Bolts | G    | P     | S       | Approx. Weight | Part Number          | A       | F Bolts | G     | P      | S       | Approx. Weight |                               |                      |         |         |       |         |
| <b>4-Bolt Square</b> |                |                          |         |         |      |       |         |                |                      |         |         |       |        |         |                |                               |                      |         |         |       |         |
| 7                    | 1 15/16        | ZFS9115                  | 5 3/4   | 5/8     | 5/16 | 5/16  | 5 5/8   | 16.00          | ZF9115               | 5       | 5/8     | 11/64 | 19/32  | 5       | 12.90          | 4 1/2                         | 3 3/16               | 5 7/8   | 3 5/32  | 11/16 | 2 31/32 |
|                      | 2              | ZFS9200                  |         |         |      |       | 15.00   | ZF9200         |                      |         |         |       |        | 12.70   |                |                               |                      |         |         |       |         |
|                      | 45.00          | ZFS9045MM                | 146.05  | 16.00   | 7.94 | 7.94  | 142.880 | 7.20           | ZF9045MM             | 127.00  | 16.00   | 4.34  | 15.08  | 127.000 | 6.70           |                               |                      |         |         |       |         |
|                      | 50.00          | ZFS9050MM                |         |         |      |       |         | 7.00           | ZF9050MM             |         |         |       |        |         | 5.80           |                               |                      |         |         |       |         |
| 8                    | 2 3/16         | ZFS9203                  | 6       | 5/8     | 5/16 | 11/32 | 6       | 19.00          | ZF9203               | 5 1/2   | 5/8     | 1/4   | 23/32  | 5 7/16  | 16.40          | 5 1/32                        | 3 9/16               | 6 7/16  | 3 11/32 | 3/4   | 3 3/8   |
|                      | 55.00          | ZFS9055MM                | 152.40  | 16.00   | 7.94 | 8.73  | 152.400 | 8.60           | ZF9055MM             | 139.70  | 16.00   | 6.35  | 18.26  | 138.110 | 7.50           |                               |                      |         |         |       |         |
| 9                    | 2 7/16         | ZFS9207                  | 7 1/8   | 3/4     | 1/4  | 15/32 | 7 1/8   | 31.00          | ZF9207               | 6 1/2   | 3/4     | 15/64 | 5/8    | 6 5/16  | 26.60          | 6 1/64                        | 4 1/4                | 7 3/4   | 3 3/4   | 7/8   | 3 5/8   |
|                      | 2 1/2          | ZFS9208                  |         |         |      |       |         |                | ZF9208               |         |         |       |        |         | 26.40          |                               |                      |         |         |       |         |
| 10                   | 2 11/16        | ZFS9211                  |         |         |      |       |         | 45.30          | ZF9211               |         |         |       |        |         | 37.60          | 6 23/32                       | 4 3/4                | 8 7/16  | 4 1/4   | 1     | 4 13/32 |
|                      | 2 15/16        | ZFS9215                  | 8       | 3/4     | 3/8  | 7/16  | 8       | 44.00          | ZF9215               | 7 3/8   | 3/4     | 1/4   | 13/16  | 7 3/8   | 37.00          |                               |                      |         |         |       |         |
|                      | 3              | ZFS9300                  |         |         |      |       |         | 43.00          | ZF9300               |         |         |       |        |         | 36.60          |                               |                      |         |         |       |         |
|                      | 75.00          | ZFS9075MM                | 203.20  | 19.00   | 9.53 | 11.11 | 203.200 | 20.00          | ZF9075MM             | 187.33  | 19.00   | 6.35  | 20.64  | 187.330 | 16.80          |                               |                      |         |         |       |         |
| 11                   | 3 3/16         | ZFS9303                  | 9 1/2   | 1       | 3/8  | 9/16  | 9 1/2   | 79.00          | ZF9303               | 8 7/8   | 1       | 1/4   | 15/16  | 8 7/8   | 66.00          | 8 5/16                        | 5 7/8                | 10 9/16 | 5       | 1 1/8 | 5 3/16  |
|                      | 3 7/16         | ZFS9307                  |         |         |      |       | 76.00   | ZF9307         |                      |         |         |       |        | 65.00   |                |                               |                      |         |         |       |         |
|                      | 80.00          | ZFS9080MM                | 241.30  | 25.00   | 9.53 | 14.29 | 241.300 | 36.00          | ZF9080MM             | 225.43  | 25.00   | 6.35  | 23.81  | 225.430 | 30.00          |                               |                      |         |         |       |         |
| <b>6-Bolt Round</b>  |                |                          |         |         |      |       |         |                |                      |         |         |       |        |         |                |                               |                      |         |         |       |         |
| 12                   | 3 11/16        | ZFS9311Y                 |         |         |      |       |         | 126.00         | ZF9311Y              |         |         |       |        |         | 96.00          | 6 7/16                        | 6 7/16               | 15 1/8  | 5 17/32 | 1 1/4 | 5 23/32 |
|                      | 3 15/16        | ZFS9315Y                 | 11 5/8  | 1       | 3/16 | 23/32 | 11 5/8  | 124.00         | ZF9315Y              | 9 1/2   | 1       | 1/8   | 1 1/32 | 10 3/8  | 94.00          |                               |                      |         |         |       |         |
|                      | 4              | ZFS9400Y                 |         |         |      |       |         | 123.00         | ZF9400Y              |         |         |       |        |         | 93.00          |                               |                      |         |         |       |         |
|                      | 100.00         | ZFS9100MM                | 295.28  | 25.00   | 4.76 | 18.25 | 295.280 | 56.00          | ZF9100MM             | 241.30  | 25.00   | 3.18  | 26.19  | 263.530 | 43.00          |                               |                      |         |         |       |         |
| 13                   | 4 3/16         | ZFS9403                  |         |         |      |       |         | 184.00         | ZF9403               |         |         |       |        |         | 159.00         | 7                             | 7                    | 16 1/2  | 6 3/4   | 1 1/2 | 6 1/8   |
|                      | 4 7/16         | ZFS9407                  | 12 9/16 | 1       | 5/16 | 5/8   | 12 9/16 | 182.00         | ZF9407               | 11 3/16 | 1 1/8   | 9/32  | 1 1/8  | 11 3/16 | 157.00         |                               |                      |         |         |       |         |

## Additional Notes

- Please call 1-866-REXNORD for availability
- Lubrication fitting tap size: for size code 7 thru 11, 1/8" PT; for all other size codes, 1/4" PT
- Machined pilot available, add suffix S
- Expansion - size code 7 thru 8 is 3/8", size code 9 thru 11 is 1/2" & size code 12 thru 13 is 3/4"
- Seals - To specify K or M seal, replace "Z" in part number with "K" or "M"
- "K" seals only available in size codes 7 thru 11

- Auxiliary end caps - available in all size codes except size code 12 ZFS bearings
- Selection Guide, see Rex Spherical Roller Bearings Selection Guide section
- Load Ratings & Speed Limits, see Rex Spherical Roller Bearings Load Ratings & Speed Limits section
- Note: Dimensions subject to change. Certified dimensions of ordered material furnished on request.

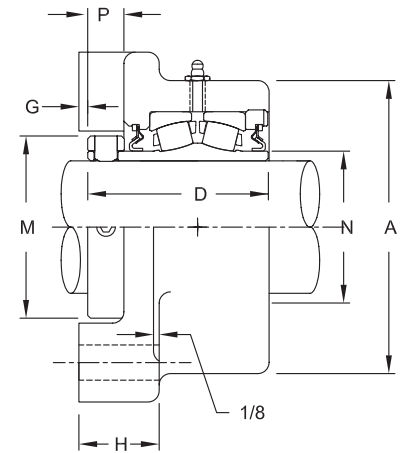
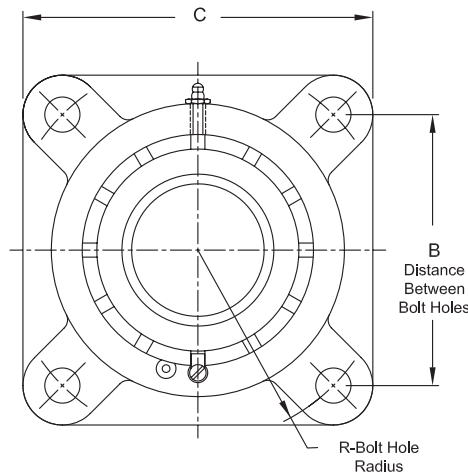
# ZEF2000



Photo Shows a 4-Bolt Spherical Roller Bearing Flanged Unit

## Product Features

- Corrosion-resistant powder coating
- Cast iron housing
- Misalignment capabilities - total of 4°
- Broad range of sealing options
- Factory set clearance & lubrication
- Precision ground & superfinished raceways
- Hardened spring locking collar
- Field interchangeable seals
- See Features & Benefits for additional info.



## Bearing Dimensions

| Size Code | Shaft Diameter | Part Number | B Distance Between Bolt Holes | R Bolt Circle Radius | A       | C      | D      | F Bolts | G    | H       | M       | N       | Approx. Weight |
|-----------|----------------|-------------|-------------------------------|----------------------|---------|--------|--------|---------|------|---------|---------|---------|----------------|
| 4         | 1 7/16         | ZEF2107     | 3 1/2                         | 2 15/32              | 3 11/16 | 4 5/8  | 2 7/8  | 1/2     | 1/16 | 1 3/8   | 2 5/16  | 1 3/4   | 7.20           |
|           | 1 1/2          | ZEF2108     | 4 1/8                         | 2 59/64              | 4 1/4   | 5 3/8  |        |         | 1/8  | 1 7/16  |         |         | 10.00          |
|           | 35.00          | ZEF2035MM   | 88.90                         | 62.69                | 93.66   | 117.48 | 73.02  | 13.00   | 1.59 | 34.93   | 58.74   | 44.450  | 3.20           |
| 5         | 1 11/16        | ZEF2111     | 4 1/8                         | 2 59/64              | 4 1/4   | 5 3/8  | 3 1/8  | 1/2     | 1/8  | 1 7/16  | 2 19/32 | 2 1/32  | 10.00          |
|           | 1 3/4          | ZEF2112     | 4 3/8                         | 3 3/32               | 4 1/2   | 5 5/8  |        |         |      | 1 1/2   |         |         | 36.51          |
|           | 40.00          | ZEF2040MM   | 104.78                        | 74.24                | 107.95  | 136.53 | 79.38  | 13.00   | 3.18 | 38.10   |         |         | 5.00           |
|           | 45.00          | ZEF2045MM   | 111.13                        | 78.59                | 114.30  | 142.88 |        |         |      |         |         |         |                |
| 6         | 1 15/16        | ZEF2115     | 4 3/8                         | 3 3/32               | 4 1/2   | 5 5/8  | 3 1/8  | 1/2     | 1/8  | 1 1/2   | 2 7/8   | 2 5/16  | 11.00          |
|           | 2              | ZEF2200     |                               |                      |         |        |        |         |      |         |         |         | 10.80          |
|           | 50.00          | ZEF2050MM   | 111.13                        | 78.59                | 114.30  | 142.88 | 79.38  | 13.00   | 3.18 | 38.10   | 73.03   | 58.740  | 4.90           |
| 7         | 2 3/16         | ZEF2203     | 4 7/8                         | 3 29/64              | 5       | 6 1/4  | 3 9/16 | 5/8     | 1/8  | 1 1/2   | 3 1/4   | 2 5/8   | 14.10          |
|           | 55.00          | ZEF2055MM   | 123.83                        | 87.71                | 127.00  | 158.75 | 84.14  | 16.00   | 3.18 | 38.10   | 82.55   | 66.680  | 6.40           |
| 8         | 2 7/16         | ZEF2207     | 5 3/8                         | 3 51/64              | 5 1/2   | 6 7/8  | 3 1/2  | 5/8     | 3/16 | 1 11/16 | 3 9/16  | 2 29/32 | 17.30          |
|           | 2 1/2          | ZEF2208     |                               |                      |         |        |        |         |      |         |         |         | 17.10          |
|           | 60.00          | ZEF2060MM   | 135.53                        | 96.42                | 139.70  | 174.63 | 88.90  | 16.00   | 4.76 | 42.86   | 90.49   | 73.810  | 7.80           |
|           | 65.00          | ZEF2065MM   |                               |                      |         |        |        |         |      |         |         |         | 7.50           |
| 9         | 2 11/16        | ZEF2211     | 6                             | 4 1/4                | 6 1/2   | 7 3/4  | 4      | 3/4     | 3/16 | 1 13/16 | 4 1/16  | 3 3/8   | 28.40          |
|           | 2 3/4          | ZEF2212     |                               |                      |         |        |        |         |      |         |         |         | 28.20          |
|           | 2 15/16        | ZEF2215     |                               |                      |         |        |        |         |      |         |         |         | 27.20          |
|           | 3              | ZEF2300     |                               |                      |         |        |        |         |      |         |         |         | 26.90          |
|           | 70.00          | ZEF2070MM   | 152.40                        | 107.95               | 165.10  | 196.85 | 101.60 | 19.00   | 4.76 | 46.04   | 103.19  | 85.730  | 12.80          |
| 75.00     | ZEF2075MM      |             |                               |                      |         |        |        |         |      |         |         | 12.40   |                |
| 10        | 3 3/16         | ZEF2303     | 7                             | 4 61/64              | 7 3/8   | 9 1/4  | 4 3/8  | 3/4     | 1/4  | 1 15/16 | 4 29/32 | 3 31/32 | 42.00          |
|           | 3 7/16         | ZEF2307     |                               |                      |         |        |        |         |      |         |         |         | 40.50          |
|           | 3 1/2          | ZEF2308     |                               |                      |         |        |        |         |      |         |         |         | 40.00          |
|           | 80.00          | ZEF2080MM   |                               |                      |         |        |        |         |      |         |         |         | 177.80         |
|           | 85.00          | ZEF2085MM   |                               |                      |         |        |        |         |      |         |         |         | 18.60          |
| 90.00     | ZEF2090MM      |             |                               |                      |         |        |        |         |      |         |         | 18.10   |                |
| 11        | 3 11/16        | ZEF2311     | 7 3/4                         | 5 31/64              | 8 7/8   | 10 1/4 | 5 1/16 | 7/8     | 1/4  | 2 3/16  | 5 5/8   | 4 9/16  | 64.00          |
|           | 3 15/16        | ZEF2315     |                               |                      |         |        |        |         |      |         |         |         | 69.00          |
|           | 4              | ZEF2400     |                               |                      |         |        |        |         |      |         |         |         | 68.00          |
|           | 100.00         | ZEF2100MM   |                               |                      |         |        |        |         |      |         |         |         | 196.85         |

## Additional Notes

- Please call 1-866-REXNORD for availability
- Metric bore sizes available, see Rex Interchangeability guide
- Lubrication fitting tap size, 1/8" PT
- Bore size = nominal shaft size +.001 in/-.000 in (*+0.03 mm/-0.00 mm*)
- Seals - To specify K or M seal, replace "Z" in part number with "K" or "M"
- Auxiliary end caps - available in all size codes
- Selection Guide, see Rex Spherical Roller Bearings Selection Guide section

Load Ratings & Speed Limits, see Rex Spherical Roller Bearings Load Ratings & Speed Limits section  
 Note: Dimensions subject to change. Certified dimensions of ordered material furnished on request.

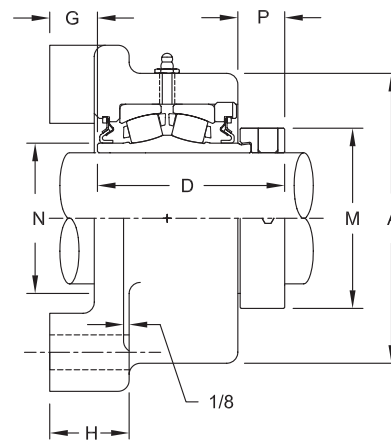
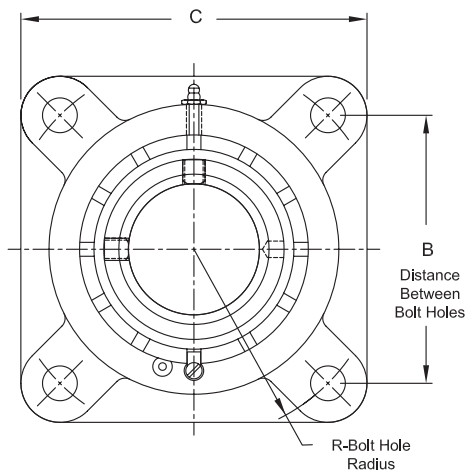
## ZEF3000



Photo Shows a 4-Bolt Spherical Roller Bearing Flanged Unit

### Product Features

- Corrosion-resistant powder coating
- Cast iron housing
- Misalignment capabilities - total of 4°
- Broad range of sealing options
- Factory set clearance & lubrication
- Precision ground & superfinished raceways
- Hardened eccentric locking collar
- Field interchangeable seals
- See Features & Benefits for additional info.



### Bearing Dimensions

| Size Code | Shaft Diameter | Part Number | B Distance Between Bolt Holes | R Bolt Circle Radius | A       | C      | D       | F Bolts | G       | H       | M       | N       | P      | Approx. Weight |
|-----------|----------------|-------------|-------------------------------|----------------------|---------|--------|---------|---------|---------|---------|---------|---------|--------|----------------|
| 4         | 1 7/16         | ZEF3107     | 3 1/2                         | 2 15/32              | 3 11/16 | 4 5/8  | 2 59/64 | 1/2     | 3/4     | 1 3/8   | 2 5/16  | 1 3/4   | 25/32  | 7.40           |
| 5         | 1 11/16        | ZEF3111     | 4 1/8                         | 2 59/64              | 4 1/4   | 5 3/8  | 3 3/16  | 1/2     | 13/16   | 1 7/16  | 2 5/8   | 2 1/32  | 3/4    | 10.30          |
| 6         | 1 15/16        | ZEF3115     | 4 3/8                         | 3 3/32               | 4 1/2   | 5 3/8  | 3 9/32  | 1/2     | 7/8     | 1 1/2   | 2 3/4   | 2 5/16  | 27/32  | 11.20          |
| 7         | 2 3/16         | ZEF3203     | 4 7/8                         | 3 29/64              | 5       | 6 1/4  | 3 1/2   | 5/8     | 15/16   | 1 1/2   | 3 1/4   | 2 5/8   | 31/32  | 11.00          |
| 8         | 2 7/16         | ZEF3207     | 5 3/8                         | 3 51/64              | 5 1/2   | 6 7/8  | 3 21/32 | 5/8     | 1 1/16  | 1 11/16 | 3 9/16  | 2 29/32 | 1 1/64 | 17.50          |
|           | 2 1/2          | ZEF3208     |                               |                      |         |        |         |         |         |         |         |         |        | 16.50          |
| 9         | 2 11/16        | ZEF3211     | 6                             | 4 1/4                | 6 1/2   | 7 3/4  | 4 13/64 | 3/4     | 1 1/16  | 1 13/16 | 4 1/16  | 3 3/8   | 1 1/64 | 28.60          |
|           | 2 15/16        | ZEF3215     |                               |                      |         |        |         |         |         |         |         |         |        | 27.60          |
| 10        | 3 7/16         | ZEF3307     | 7                             | 4 61/64              | 7 3/8   | 9 1/4  | 4 37/64 | 3/4     | 1 11/64 | 1 15/16 | 4 15/16 | 3 31/32 | 1 9/64 | 41.10          |
|           | 3 1/2          | ZEF3308     |                               |                      |         |        |         |         |         |         |         |         |        | 40.20          |
| 11        | 3 15/16        | ZEF3315     | 7 3/4                         | 5 31/64              | 8 7/8   | 10 1/4 | 5 3/16  | 7/8     | 1 5/16  | 2 3/16  | 5 5/8   | 4 9/16  | 1 1/16 | 62.70          |

### Additional Notes

- Please call 1-866-REXNORD for availability
- Lubrication fitting tap size, 1/8" PT
- Bore size = nominal shaft size +.001 in/-.000 in (**+0.03 mm/-0.00 mm**)
- Seals - To specify K or M seal, replace "Z" in part number with "K" or "M"
- Auxiliary end caps - available in all size codes
- For the Selection Guide, Load Ratings and Speed Limits, see the Rex Spherical Roller Bearings Engineering section

Note: Dimensions subject to change. Certified dimensions of ordered material furnished on request.



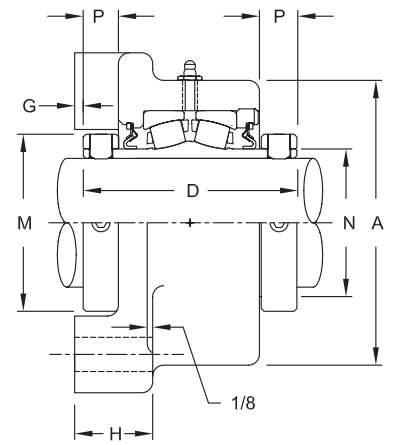
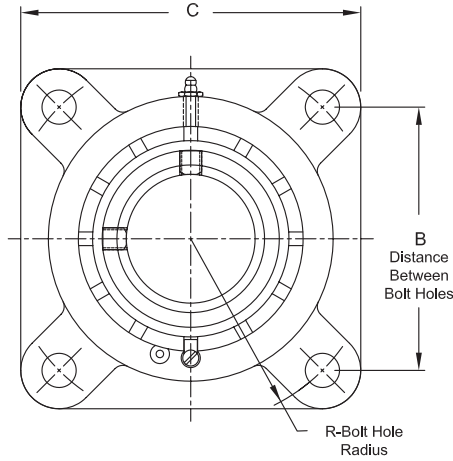
# ZEF5000



Photo Shows a 4-Bolt Spherical Roller Bearing Flanged Unit

## Product Features

- Corrosion-resistant powder coating
- Cast iron housing
- Misalignment capabilities - total of 4°
- Broad range of sealing options
- Factory set clearance & lubrication
- Precision ground & superfinished raceways
- Two hardened spring locking collars
- Field interchangeable seals
- See Features & Benefits for additional info.



## Bearing Dimensions

| Size Code | Shaft Diameter | Part Number | B Distance Between Bolt Holes | R Bolt Circle Radius | A       | C      | D       | F Bolts | G    | H       | M       | N       | P      | Approx. Weight |
|-----------|----------------|-------------|-------------------------------|----------------------|---------|--------|---------|---------|------|---------|---------|---------|--------|----------------|
| 4         | 1 7/16         | ZEF5107     | 3 1/2                         | 2 15/32              | 3 11/16 | 4 5/8  | 3 9/16  | 1/2     | 1/16 | 1 3/8   | 2 5/16  | 1 3/4   | 11/16  | 7.70           |
|           | 35.00          | ZEF5035MM   | 88.90                         | 62.69                | 93.66   | 117.48 | 90.49   | 13.00   | 1.59 | 34.93   | 58.74   | 44.450  | 17.46  | 3.50           |
| 5         | 1 1/2          | ZEF5108     | 4 1/8                         | 2 59/64              | 4 1/4   | 5 3/8  | 3 13/16 | 1/2     | 1/8  | 1 7/16  | 2 19/32 | 2 1/32  | 11/16  | 11.00          |
|           | 1 11/16        | ZEF5111     |                               |                      |         |        |         |         |      |         |         |         |        | 10.60          |
|           | 40.00          | ZEF5040MM   | 104.78                        | 74.24                | 107.95  | 136.53 | 96.84   | 13.00   | 3.18 | 36.51   | 65.88   | 51.590  | 17.46  | 5.00           |
|           | 45.00          | ZEF5045MM   |                               |                      |         |        |         |         |      |         |         |         |        | 4.80           |
| 6         | 1 15/16        | ZEF5115     | 4 3/8                         | 3 3/32               | 4 1/2   | 5 5/8  | 3 13/16 | 1/2     | 1/8  | 1 1/2   | 2 7/8   | 2 5/16  | 11/16  | 11.70          |
|           | 50.00          | ZEF5050MM   | 111.13                        | 78.59                | 114.30  | 142.88 | 96.84   | 13.00   | 3.18 | 38.10   | 73.03   | 58.740  | 17.46  | 5.30           |
| 7         | 2              | ZEF5200     | 4 7/8                         | 3 29/64              | 5       | 6 1/4  | 4 1/8   | 5/8     | 1/8  | 1 1/2   | 3 1/4   | 2 5/8   | 13/16  | 15.70          |
|           | 2 3/16         | ZEF5203     |                               |                      |         |        |         |         |      |         |         |         |        | 15.10          |
|           | 55.00          | ZEF5055MM   | 123.83                        | 87.71                | 127.00  | 158.75 | 104.78  | 16.00   | 3.18 | 38.10   | 82.60   | 66.680  | 20.64  | 6.80           |
| 8         | 2 7/16         | ZEF5207     | 5 3/8                         | 3 51/64              | 5 1/2   | 6 7/8  | 4 3/8   | 5/8     | 3/16 | 1 11/16 | 3 9/16  | 2 29/32 | 7/8    | 18.30          |
|           | 60.00          | ZEF5060MM   | 135.53                        | 96.42                | 139.70  | 174.63 | 111.13  | 16.00   | 4.76 | 42.86   | 90.50   | 73.810  | 22.23  | 8.30           |
|           | 65.00          | ZEF5065MM   |                               |                      |         |        |         |         |      |         |         |         |        | 8.10           |
| 9         | 2 1/2          | ZEF5208     | 6                             | 4 1/4                | 6 1/2   | 7 3/4  | 4 7/8   | 3/4     | 3/16 | 1 13/16 | 4 1/16  | 3 3/8   | 7/8    | 31.10          |
|           | 2 11/16        | ZEF5211     |                               |                      |         |        |         |         |      |         |         |         |        | 30.10          |
|           | 2 15/16        | ZEF5215     |                               |                      |         |        |         |         |      |         |         |         |        | 29.60          |
|           | 70.00          | ZEF5070MM   | 152.40                        | 107.95               | 165.10  | 196.85 | 123.83  | 19.00   | 4.76 | 46.04   | 103.20  | 85.730  | 22.23  | 13.70          |
|           | 75.00          | ZEF5075MM   |                               |                      |         |        |         |         |      |         |         |         |        | 13.40          |
| 10        | 3 3/16         | ZEF5303     | 7                             | 4 61/64              | 7 3/8   | 9 1/4  | 5 5/16  | 3/4     | 1/4  | 1 15/16 | 4 29/32 | 3 31/32 | 15/16  | 44.60          |
|           | 3 7/16         | ZEF5307     |                               |                      |         |        |         |         |      |         |         |         |        | 42.70          |
|           | 80.00          | ZEF5080MM   |                               |                      |         |        |         |         |      |         |         |         |        | 20.20          |
|           | 85.00          | ZEF5085MM   | 177.80                        | 125.81               | 187.33  | 234.95 | 134.94  | 19.00   | 6.35 | 49.20   | 124.62  | 100.790 | 23.81  | 19.80          |
|           | 90.00          | ZEF5090MM   |                               |                      |         |        |         |         |      |         |         |         |        | 19.40          |
| 11        | 3 11/16        | ZEF5311     | 7 3/4                         | 5 31/64              | 8 7/8   | 10 1/4 | 6 1/8   | 7/8     | 1/4  | 2 3/16  | 5 5/8   | 4 9/16  | 1 1/32 | 66.50          |
|           | 3 15/16        | ZEF5315     |                               |                      |         |        |         |         |      |         |         |         |        | 65.50          |
|           | 4              | ZEF5400     |                               |                      |         |        |         |         |      |         |         |         |        | 64.50          |
|           | 100.00         | ZEF5100MM   | 196.85                        | 139.29               | 225.43  | 260.35 | 155.58  | 22.00   | 6.35 | 55.56   | 142.90  | 115.890 | 26.19  | 29.70          |

## Additional Notes

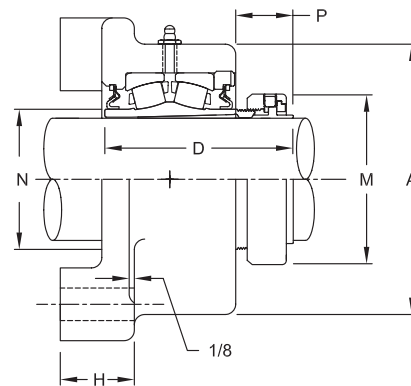
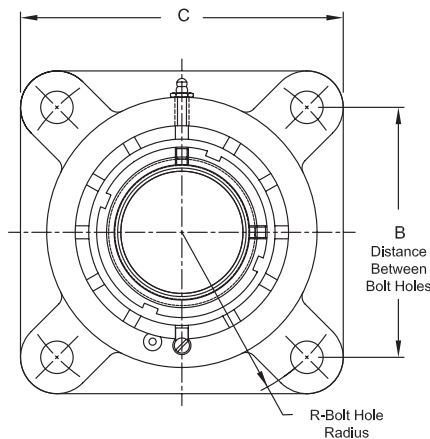
- Please call 1-866-REXNORD for availability
- Metric bore sizes available, see Rex Interchangeability guide
- Lubrication fitting tap size, 1/8" PT
- Bore size = nominal shaft size +.001 in/- .000 in (+0.03 mm/-0.00 mm)
- Seals - To specify K or M seal, replace "Z" in part number with "K" or "M"
- Auxiliary end caps - available in all size codes
- For the Selection Guide, Load Ratings and Speed Limits, see the Rex Spherical Roller Bearings Engineering section

Note: Dimensions subject to change. Certified dimensions of ordered material furnished on request.

# ZEF6000



Photo Shows a 4-Bolt Spherical Roller Bearing Flanged Unit



## Product Features

- Spyglass™ Optical Strain Sensor (OSS) Technology
- Positive locking system
- Tapered adapter sleeve
- Corrosion-resistant powder coating
- Cast iron housing
- Misalignment capabilities - total of 4°
- Broad range of sealing options
- Factory set clearance & lubrication
- Precision ground & superfinished raceways
- See Features & Benefits for additional info.

## Bearing Dimensions

| Size Code     | Shaft Diameter   | Part Number      | B Distance Between Bolt Holes | R Bolt Circle Radius | A             | C             | D             | F Bolts      | H            | M            | N             | P            | Approx. Weight |
|---------------|------------------|------------------|-------------------------------|----------------------|---------------|---------------|---------------|--------------|--------------|--------------|---------------|--------------|----------------|
| <b>4-Bolt</b> |                  |                  |                               |                      |               |               |               |              |              |              |               |              |                |
| 4             | 1 7/16           | ZEF6107          | 3 1/2                         | 2 15/32              | 3 11/16       | 4 5/8         | 3 21/64       | 1/2          | 1 3/8        | 2 25/64      | 1 3/4         | 1 9/64       | 7.20           |
| 5             | 1 11/16          | ZEF6111          | 4 1/8                         | 2 59/64              | 4 1/4         | 5 3/8         | 3 47/64       |              | 1 7/16       | 2 41/64      | 2 1/32        | 1 9/32       | 10.00          |
| 6             | 1 15/16          | ZEF6115          | 4 3/8                         | 3 3/32               | 4 1/2         | 5 5/8         | 3 41/64       | 1 1/2        | 2 55/64      | 2 5/16       | 1 1/8         | 11.70        |                |
|               | <b>45.00</b>     | <b>ZEF6045MM</b> | <b>111.13</b>                 | <b>78.59</b>         | <b>114.30</b> | <b>142.88</b> | <b>92.47</b>  | <b>13.00</b> | <b>38.10</b> | <b>72.63</b> | <b>58.740</b> | <b>28.58</b> | <b>4.80</b>    |
| 7             | 2 3/16           | ZEF6203          | 4 7/8                         | 3 29/64              | 5             | 6 1/4         | 3 11/16       | 5/8          | 1 1/2        | 3 15/64      | 2 5/8         | 1 5/32       | 15.70          |
|               | <b>55.00</b>     | <b>ZEF6055MM</b> | <b>123.83</b>                 | <b>87.71</b>         | <b>127.00</b> | <b>158.75</b> | <b>93.66</b>  | <b>16.00</b> | <b>38.10</b> | <b>82.15</b> | <b>66.680</b> | <b>29.37</b> | <b>6.80</b>    |
| 8             | 2 3/8            | ZEF6206          | 5 3/8                         | 3 51/64              | 5 1/2         | 6 7/8         | 4 1/16        | 5/8          | 1 11/16      | 3 19/32      | 2 29/32       | 1 27/64      | 18.90          |
|               | 2 7/16           | ZEF6207          |                               |                      |               |               |               |              |              |              |               |              | 18.30          |
| 9             | <b>60.00</b>     | <b>ZEF6060MM</b> | <b>135.53</b>                 | <b>96.42</b>         | <b>139.70</b> | <b>174.63</b> | <b>103.19</b> | <b>16.00</b> | <b>42.86</b> | <b>91.28</b> | <b>73.810</b> | <b>36.12</b> | <b>8.30</b>    |
|               | 2 11/16          | ZEF6211          | 6                             | 4 1/4                | 6 1/2         | 7 3/4         | 4 17/32       | 3/4          | 1 13/16      | 4 3/32       | 3 3/8         | 1 25/64      | 31.10          |
|               | 2 3/4            | ZEF6212          |                               |                      |               |               |               |              |              |              |               |              | 30.10          |
|               | 2 15/16          | ZEF6215          |                               |                      |               |               |               |              |              |              |               |              | 29.60          |
| <b>70.00</b>  | <b>ZEF6070MM</b> | <b>152.40</b>    |                               |                      |               |               |               |              |              |              |               |              | <b>107.95</b>  |
| <b>75.00</b>  | <b>ZEF6075MM</b> |                  |                               |                      |               |               |               |              |              |              |               |              | <b>13.40</b>   |
| 10            | 3 3/16           | ZEF6303          | 7                             | 4 61/64              | 7 3/8         | 9 1/4         | 5 1/32        | 3/4          | 1 15/16      | 4 61/64      | 3 31/32       | 1 19/32      | 44.60          |
|               | 3 7/16           | ZEF6307          |                               |                      |               |               |               |              |              |              |               |              | 42.70          |
|               | <b>80.00</b>     | <b>ZEF6080MM</b> |                               |                      |               |               |               |              |              |              |               |              | <b>177.80</b>  |
| <b>85.00</b>  | <b>ZEF6085MM</b> |                  |                               |                      |               |               |               |              |              |              |               |              | <b>19.80</b>   |
| 11            | 3 11/16          | ZEF6311          | 7 3/4                         | 5 31/64              | 8 7/8         | 10 1/4        | 5 25/32       | 7/8          | 2 3/16       | 5 43/64      | 4 9/16        | 1 47/64      | 66.50          |
|               | 3 15/16          | ZEF6315          |                               |                      |               |               |               |              |              |              |               |              | 65.50          |
|               | <b>100.00</b>    | <b>ZEF6100MM</b> |                               |                      |               |               |               |              |              |              |               |              | <b>196.85</b>  |

## Additional Notes

- Please call 1-866-REXNORD for availability
- Lubrication fitting tap size, 1/8" PT
- Seals - To specify K or M seal, replace "Z" in part number with "K" or "M"
- Auxiliary end caps - available in all size codes
- For the Selection Guide, Load Ratings and Speed Limits, see the Rex Spherical Roller Bearings Engineering section
- Note: Dimensions subject to change. Certified dimensions of ordered material furnished on request.

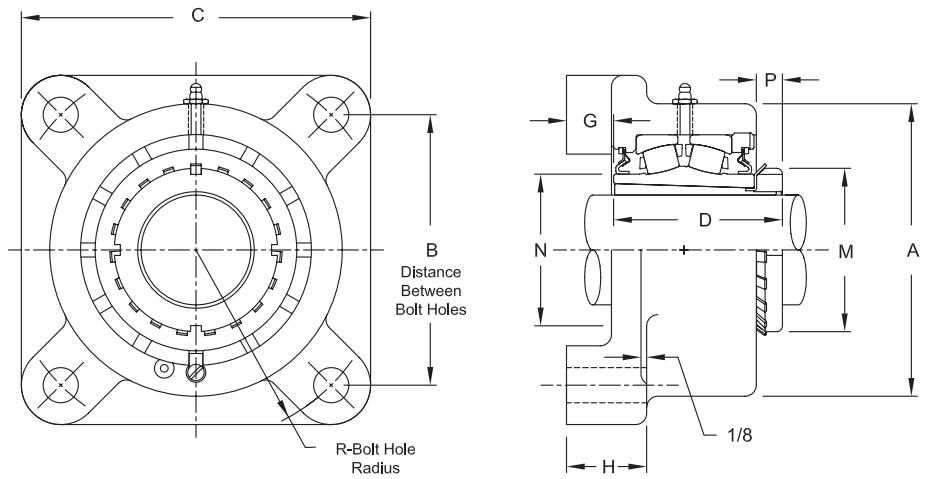
# ZEF9000



Photo Shows a 4-Bolt Spherical Roller Bearing Flanged Unit

## Product Features

- Corrosion-resistant powder coating
- Cast iron housing
- Misalignment capabilities - total of 4°
- Broad range of sealing options
- Factory set clearance & lubrication
- Precision ground & superfinished raceways
- Enhanced life mounting style
- Field interchangeable seals
- See Features & Benefits for additional info.



## Bearing Dimensions

| Size Code | Shaft Diameter | Part Number | B Distance Between Bolt Holes | R Bolt Circle Radius | A      | C      | D       | F Bolts | G       | H       | M       | N       | P     | Approx. Weight |
|-----------|----------------|-------------|-------------------------------|----------------------|--------|--------|---------|---------|---------|---------|---------|---------|-------|----------------|
| 7         | 1 15/16        | ZEF9115     | 4 7/8                         | 3 29/64              | 5      | 6 1/4  | 3 5/32  | 5/8     | 15/16   | 1 1/2   | 2 31/32 | 2 5/8   | 19/32 | 14.30          |
|           | 2              | ZEF9200     |                               |                      |        |        |         |         |         |         |         |         |       | 14.20          |
|           | 45.00          | ZEF9045MM   | 123.83                        | 87.71                | 127.00 | 158.75 | 80.17   | 16.00   | 23.81   | 38.10   | 75.40   | 66.680  | 15.08 | 6.50           |
| 8         | 2 3/16         | ZEF9203     | 5 3/8                         | 3 51/64              | 5 1/2  | 6 7/8  | 3 11/32 | 5/8     | 1 1/16  | 1 11/16 | 3 3/8   | 2 29/32 | 23/32 | 17.60          |
|           | 55.00          | ZEF9055MM   | 135.53                        | 96.42                | 139.70 | 174.63 | 84.93   | 16.00   | 26.99   | 42.86   | 85.73   | 73.810  | 18.26 | 8.00           |
| 9         | 2 7/16         | ZEF9207     | 6                             | 4 1/4                | 6 1/2  | 7 3/4  | 3 3/4   | 3/4     | 1 1/16  | 1 13/16 | 3 5/8   | 3 3/8   | 5/8   | 27.70          |
|           | 2 1/2          | ZEF9208     |                               |                      |        |        |         |         |         |         |         |         |       | 27.40          |
| 10        | 2 11/16        | ZEF9211     | 7                             | 4 61/64              | 7 3/8  | 9 1/4  | 4 1/4   | 3/4     | 1 11/64 | 1 15/16 | 4 13/32 | 3 31/32 | 13/16 | 42.30          |
|           | 2 15/16        | ZEF9215     |                               |                      |        |        |         |         |         |         |         |         |       | 41.10          |
|           | 3              | ZEF9300     |                               |                      |        |        |         |         |         |         |         |         |       | 40.40          |
| 11        | 75.00          | ZEF9075MM   | 177.80                        | 125.81               | 187.33 | 234.95 | 107.95  | 19.00   | 29.77   | 49.20   | 111.92  | 100.790 | 20.64 | 18.60          |
|           | 3 3/16         | ZEF9303     | 7 3/4                         | 5 31/64              | 8 7/8  | 10 1/4 | 5       | 7/8     | 1 5/16  | 2 3/16  | 5 3/16  | 4 9/16  | 15/16 | 67.00          |
|           | 3 7/16         | ZEF9307     |                               |                      |        |        |         |         |         |         |         |         |       | 65.00          |
| 80.00     | ZEF9080MM      | 196.85      | 139.29                        | 225.43               | 260.35 | 127.00 | 22.00   | 33.34   | 55.56   | 131.76  | 115.890 | 23.81   | 30.40 |                |

## Additional Notes

- Please call 1-866-REXNORD for availability
- Lubrication fitting tap size, 1/8" PT
- Seals - To specify K or M seal, replace "Z" in part number with "K" or "M"
- Auxiliary end caps - available in all size codes
- For the Selection Guide, Load Ratings and Speed Limits, see the Rex Spherical Roller Bearings Engineering section
- Note: Dimensions subject to change. Certified dimensions of ordered material furnished on request.

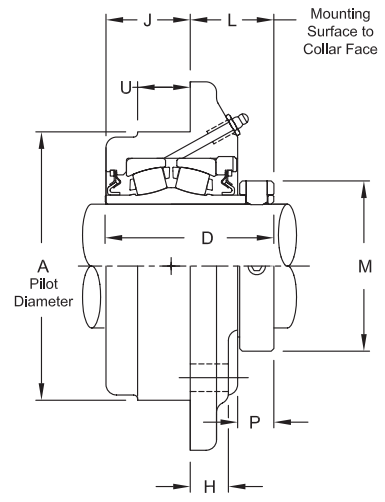
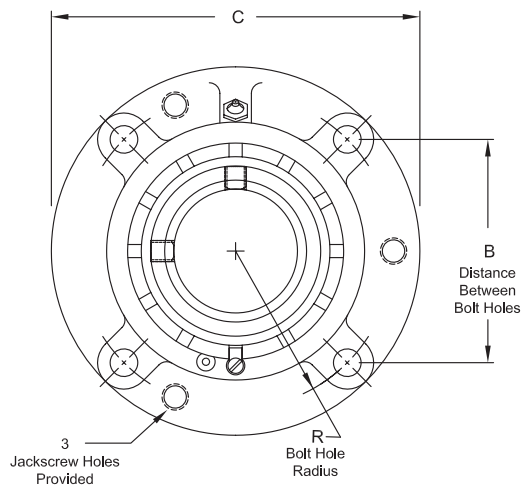
ZBR2000



Photo Shows a 4-Bolt Spherical Roller Bearing Flanged Cartridge Unit

Product Features

- Corrosion-resistant powder coating
  - Cast iron housing
  - Misalignment capabilities - total of 4°
  - Broad range of sealing options
  - Factory set clearance & lubrication
  - Precision ground & superfinished raceways
  - Hardened spring locking collar
  - Field interchangeable seals
- See Features & Benefits for additional info.



Bearing Dimensions

| Size Code     | Shaft Diameter                  | Part Number      | A Pilot Diameter | B Distance Between Bolt Holes   | L Mounting Surface to Collar Face | R Bolt Circle Radius            | C                              | D                               | F Bolts                      | H                             | J                               | M                               | P                             | U                             | Approx. Weight |
|---------------|---------------------------------|------------------|------------------|---------------------------------|-----------------------------------|---------------------------------|--------------------------------|---------------------------------|------------------------------|-------------------------------|---------------------------------|---------------------------------|-------------------------------|-------------------------------|----------------|
| <b>4-Bolt</b> |                                 |                  |                  |                                 |                                   |                                 |                                |                                 |                              |                               |                                 |                                 |                               |                               |                |
| 2             | <sup>3</sup> / <sub>4</sub>     | ZBR2012          | 3.000            | 2 <sup>9</sup> / <sub>16</sub>  | 1 <sup>5</sup> / <sub>16</sub>    | 1 <sup>13</sup> / <sub>16</sub> | 4 <sup>3</sup> / <sub>8</sub>  | 2 <sup>9</sup> / <sub>16</sub>  | <sup>5</sup> / <sub>16</sub> | <sup>7</sup> / <sub>16</sub>  | 1 <sup>1</sup> / <sub>4</sub>   | 1 <sup>3</sup> / <sub>4</sub>   | <sup>9</sup> / <sub>16</sub>  | <sup>5</sup> / <sub>8</sub>   | 3.70           |
|               | <sup>15</sup> / <sub>16</sub>   | ZBR2015          |                  |                                 |                                   |                                 |                                |                                 |                              |                               |                                 |                                 |                               |                               | 3.60           |
|               | 1                               | ZBR2100          |                  |                                 |                                   |                                 |                                |                                 |                              |                               |                                 |                                 |                               |                               | 3.50           |
|               | <b>25.00</b>                    | <b>ZBR2025MM</b> | <b>76.200</b>    | <b>65.09</b>                    | <b>33.34</b>                      | <b>46.04</b>                    | <b>111.13</b>                  | <b>65.09</b>                    | <b>8.00</b>                  | <b>11.11</b>                  | <b>31.75</b>                    | <b>44.45</b>                    | <b>14.29</b>                  | <b>15.88</b>                  | <b>1.60</b>    |
| 3             | 1 <sup>1</sup> / <sub>8</sub>   | ZBR2102          | 3.375            | 2 <sup>59</sup> / <sub>64</sub> | 1 <sup>5</sup> / <sub>16</sub>    | 2 <sup>1</sup> / <sub>16</sub>  | 5                              | 2 <sup>11</sup> / <sub>16</sub> | <sup>3</sup> / <sub>8</sub>  | <sup>7</sup> / <sub>16</sub>  | 1 <sup>3</sup> / <sub>8</sub>   | 1 <sup>31</sup> / <sub>32</sub> | <sup>9</sup> / <sub>16</sub>  | <sup>3</sup> / <sub>4</sub>   | 4.90           |
|               | 1 <sup>3</sup> / <sub>16</sub>  | ZBR2103          |                  |                                 |                                   |                                 |                                |                                 |                              |                               |                                 |                                 |                               |                               | 4.80           |
|               | 1 <sup>1</sup> / <sub>4</sub>   | ZBR2104          |                  |                                 |                                   |                                 |                                |                                 |                              |                               |                                 |                                 |                               |                               | 4.60           |
|               | <b>30.00</b>                    | <b>ZBR2030MM</b> | <b>85.725</b>    | <b>74.19</b>                    | <b>33.34</b>                      | <b>52.39</b>                    | <b>127.00</b>                  | <b>68.26</b>                    | <b>9.00</b>                  | <b>11.11</b>                  | <b>34.93</b>                    | <b>50.00</b>                    | <b>14.29</b>                  | <b>19.05</b>                  | <b>2.20</b>    |
| 4             | 1 <sup>7</sup> / <sub>16</sub>  | ZBR2107          | 3.625            | 3 <sup>3</sup> / <sub>32</sub>  | 1 <sup>1</sup> / <sub>2</sub>     | 2 <sup>3</sup> / <sub>16</sub>  | 5 <sup>1</sup> / <sub>4</sub>  | 2 <sup>7</sup> / <sub>8</sub>   | <sup>3</sup> / <sub>8</sub>  | <sup>1</sup> / <sub>2</sub>   | 1 <sup>3</sup> / <sub>8</sub>   | 2 <sup>5</sup> / <sub>16</sub>  | <sup>11</sup> / <sub>16</sub> | <sup>3</sup> / <sub>4</sub>   | 5.40           |
|               | 1 <sup>1</sup> / <sub>2</sub>   | ZBR2108          |                  |                                 |                                   |                                 |                                |                                 |                              |                               |                                 |                                 |                               |                               | 5.20           |
|               | <b>35.00</b>                    | <b>ZBR2035MM</b> |                  |                                 |                                   |                                 |                                |                                 |                              |                               |                                 |                                 |                               |                               | <b>92.075</b>  |
| 5             | 1 <sup>11</sup> / <sub>16</sub> | ZBR2111          | 4.250            | 3 <sup>5</sup> / <sub>8</sub>   | 1 <sup>19</sup> / <sub>32</sub>   | 2 <sup>9</sup> / <sub>16</sub>  | 6 <sup>1</sup> / <sub>8</sub>  | 3 <sup>1</sup> / <sub>8</sub>   | <sup>7</sup> / <sub>16</sub> | <sup>1</sup> / <sub>2</sub>   | 1 <sup>17</sup> / <sub>32</sub> | 2 <sup>19</sup> / <sub>32</sub> | <sup>11</sup> / <sub>16</sub> | <sup>7</sup> / <sub>8</sub>   | 8.40           |
|               | 1 <sup>3</sup> / <sub>4</sub>   | ZBR2112          |                  |                                 |                                   |                                 |                                |                                 |                              |                               |                                 |                                 |                               |                               | 8.10           |
|               | <b>40.00</b>                    | <b>ZBR2040MM</b> |                  |                                 |                                   |                                 |                                |                                 |                              |                               |                                 |                                 |                               |                               | <b>107.950</b> |
|               | <b>45.00</b>                    | <b>ZBR2045MM</b> |                  |                                 |                                   |                                 |                                |                                 |                              |                               |                                 |                                 |                               |                               | <b>3.70</b>    |
| 6             | 1 <sup>15</sup> / <sub>16</sub> | ZBR2115          | 4.500            | 3 <sup>51</sup> / <sub>64</sub> | 1 <sup>9</sup> / <sub>16</sub>    | 2 <sup>11</sup> / <sub>16</sub> | 6 <sup>3</sup> / <sub>8</sub>  | 3 <sup>1</sup> / <sub>8</sub>   | <sup>7</sup> / <sub>16</sub> | <sup>9</sup> / <sub>16</sub>  | 1 <sup>9</sup> / <sub>16</sub>  | 2 <sup>7</sup> / <sub>8</sub>   | <sup>11</sup> / <sub>16</sub> | <sup>7</sup> / <sub>8</sub>   | 8.80           |
|               | 2                               | ZBR2200          |                  |                                 |                                   |                                 |                                |                                 |                              |                               |                                 |                                 |                               |                               | 8.70           |
|               | <b>50.00</b>                    | <b>ZBR2050MM</b> |                  |                                 |                                   |                                 |                                |                                 |                              |                               |                                 |                                 |                               |                               | <b>114.300</b> |
| 7             | 2 <sup>3</sup> / <sub>16</sub>  | ZBR2203          | 5.000            | 4 <sup>1</sup> / <sub>4</sub>   | 1 <sup>3</sup> / <sub>4</sub>     | 3                               | 7 <sup>1</sup> / <sub>8</sub>  | 3 <sup>5</sup> / <sub>16</sub>  | <sup>1</sup> / <sub>2</sub>  | <sup>9</sup> / <sub>16</sub>  | 1 <sup>9</sup> / <sub>16</sub>  | 3 <sup>1</sup> / <sub>4</sub>   | <sup>13</sup> / <sub>16</sub> | 1                             | 13.80          |
|               | 2 <sup>1</sup> / <sub>4</sub>   | ZBR2204          |                  |                                 |                                   |                                 |                                |                                 |                              |                               |                                 |                                 |                               |                               | 13.70          |
|               | <b>55.00</b>                    | <b>ZBR2055MM</b> |                  |                                 |                                   |                                 |                                |                                 |                              |                               |                                 |                                 |                               |                               | <b>127.000</b> |
| 8             | 2 <sup>3</sup> / <sub>8</sub>   | ZBR2206          | 5.500            | 4 <sup>19</sup> / <sub>32</sub> | 1 <sup>13</sup> / <sub>16</sub>   | 3 <sup>1</sup> / <sub>4</sub>   | 7 <sup>5</sup> / <sub>8</sub>  | 3 <sup>1</sup> / <sub>2</sub>   | <sup>1</sup> / <sub>2</sub>  | <sup>5</sup> / <sub>8</sub>   | 1 <sup>11</sup> / <sub>16</sub> | 3 <sup>9</sup> / <sub>16</sub>  | <sup>7</sup> / <sub>8</sub>   | 1                             | 14.90          |
|               | 2 <sup>7</sup> / <sub>16</sub>  | ZBR2207          |                  |                                 |                                   |                                 |                                |                                 |                              |                               |                                 |                                 |                               |                               | 14.80          |
|               | 2 <sup>1</sup> / <sub>2</sub>   | ZBR2208          |                  |                                 |                                   |                                 |                                |                                 |                              |                               |                                 |                                 |                               |                               | 14.40          |
|               | <b>60.00</b>                    | <b>ZBR2060MM</b> | <b>139.700</b>   | <b>116.66</b>                   | <b>46.04</b>                      | <b>82.55</b>                    | <b>193.68</b>                  | <b>88.90</b>                    | <b>13.00</b>                 | <b>15.88</b>                  | <b>42.86</b>                    | <b>90.49</b>                    | <b>22.23</b>                  | <b>25.40</b>                  | <b>6.80</b>    |
|               | <b>65.00</b>                    | <b>ZBR2065MM</b> |                  |                                 |                                   |                                 |                                |                                 |                              |                               |                                 |                                 |                               |                               | <b>6.50</b>    |
| 9             | 2 <sup>11</sup> / <sub>16</sub> | ZBR2211          | 6.375            | 5 <sup>19</sup> / <sub>64</sub> | 2                                 | 3 <sup>3</sup> / <sub>4</sub>   | 8 <sup>3</sup> / <sub>4</sub>  | 4                               | <sup>5</sup> / <sub>8</sub>  | <sup>3</sup> / <sub>4</sub>   | 2                               | 4 <sup>1</sup> / <sub>16</sub>  | <sup>7</sup> / <sub>8</sub>   | 1 <sup>1</sup> / <sub>4</sub> | 23.40          |
|               | 2 <sup>3</sup> / <sub>4</sub>   | ZBR2212          |                  |                                 |                                   |                                 |                                |                                 |                              |                               |                                 |                                 |                               |                               | 23.00          |
|               | 2 <sup>15</sup> / <sub>16</sub> | ZBR2215          |                  |                                 |                                   |                                 |                                |                                 |                              |                               |                                 |                                 |                               |                               | 22.30          |
|               | 3                               | ZBR2300          |                  |                                 |                                   |                                 |                                |                                 |                              |                               |                                 |                                 |                               |                               | 21.80          |
|               | <b>70.00</b>                    | <b>ZBR2070MM</b> |                  |                                 |                                   |                                 |                                |                                 |                              |                               |                                 |                                 |                               |                               | <b>161.925</b> |
|               | <b>75.00</b>                    | <b>ZBR2075MM</b> |                  |                                 |                                   |                                 |                                |                                 |                              |                               |                                 |                                 |                               |                               | <b>10.10</b>   |
| 10            | 3 <sup>3</sup> / <sub>16</sub>  | ZBR2303          | 7.375            | 6 <sup>3</sup> / <sub>32</sub>  | 2 <sup>3</sup> / <sub>8</sub>     | 4 <sup>5</sup> / <sub>16</sub>  | 10 <sup>1</sup> / <sub>4</sub> | 4 <sup>3</sup> / <sub>8</sub>   | <sup>3</sup> / <sub>4</sub>  | <sup>15</sup> / <sub>16</sub> | 2                               | 4 <sup>29</sup> / <sub>32</sub> | <sup>15</sup> / <sub>16</sub> | 1 <sup>1</sup> / <sub>4</sub> | 35.50          |
|               | 3 <sup>7</sup> / <sub>16</sub>  | ZBR2307          |                  |                                 |                                   |                                 |                                |                                 |                              |                               |                                 |                                 |                               |                               | 34.00          |

Continued...

Continued...

## Bearing Dimensions

| Size Code                 | Shaft Diameter | Part Number | A Pilot Diameter | B Distance Between Bolt Holes | L Mounting Surface to Collar Face | R Bolt Circle Radius | C      | D      | F Bolts | H     | J     | M       | P      | U     | Approx. Weight |
|---------------------------|----------------|-------------|------------------|-------------------------------|-----------------------------------|----------------------|--------|--------|---------|-------|-------|---------|--------|-------|----------------|
| <b>4-Bolt (continued)</b> |                |             |                  |                               |                                   |                      |        |        |         |       |       |         |        |       |                |
| 10                        | 3 1/2          | ZBR2308     | 7.375            | 6 3/32                        | 2 3/8                             | 4 5/16               | 10 1/4 | 4 3/8  | 3/4     | 15/16 | 2     | 4 29/32 | 15/16  | 1 1/4 | 33.50          |
|                           | 80.00          | ZBR2080MM   | 187.325          | 154.79                        | 60.33                             | 109.54               | 260.35 | 111.13 | 19.00   | 23.81 | 50.80 | 124.62  | 23.81  | 31.75 | 16.10          |
|                           | 85.00          | ZBR2085MM   |                  |                               |                                   |                      |        |        |         |       |       |         |        |       | 15.70          |
|                           | 90.00          | ZBR2090MM   |                  |                               |                                   |                      |        |        |         |       |       |         |        |       | 15.20          |
| 11                        | 3 11/16        | ZBR2311     | 8.125            | 6 5/8                         | 2 11/16                           | 4 11/16              | 10 7/8 | 5 1/16 | 3/4     | 1 1/8 | 2 1/2 | 5 5/8   | 1 1/32 | 1 1/2 | 52.00          |
|                           | 3 15/16        | ZBR2315     |                  |                               |                                   |                      |        |        |         |       |       |         |        |       | 49.00          |
|                           | 4              | ZBR2400     |                  |                               |                                   |                      |        |        |         |       |       |         |        |       | 48.50          |
|                           | 100.00         | ZBR2100MM   | 206.375          | 168.28                        | 68.26                             | 119.06               | 276.23 | 128.59 | 19.00   | 28.58 | 63.50 | 142.88  | 26.19  | 38.10 | 22.20          |

## Additional Notes

Please call 1-866-REXNORD for availability  
 Metric bore sizes available, see Rex Interchangeability guide  
 Lubrication fitting tap size, 1/8" PT  
 Bore size = nominal shaft size +.001 in/- .000 in (+0.03 mm/-0.00 mm)  
 Pilot Diameter tolerance, +.000 in/- .002 in (+0.00 mm/-0.05 mm)  
 Bore tolerance for mounting, +.002 in/- .000 in (+0.05 mm/-0.00 mm)  
 Seals - To specify K or M seal, replace "Z" in part number with "K" or "M"  
 Auxiliary end caps - available in all size codes except for size codes 2 & 3

For the Selection Guide, Load Ratings and Speed Limits, see the Rex Spherical Roller Bearings Engineering section  
 Note: Dimensions subject to change. Certified dimensions of ordered material furnished on request.

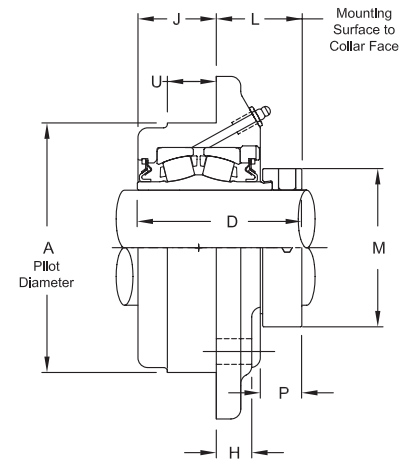
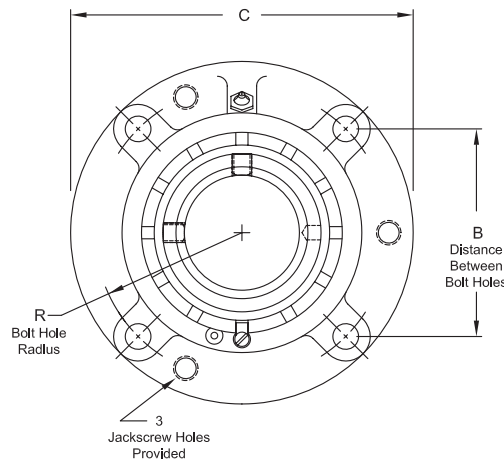
# ZBR3000



Photo Shows a 4-Bolt Spherical Roller Bearing Flanged Cartridge Unit

## Product Features

- Corrosion-resistant powder coating
- Cast iron housing
- Misalignment capabilities - total of 4°
- Broad range of sealing options
- Factory set clearance & lubrication
- Precision ground & superfinished raceways
- Eccentric locking collar
- Field interchangeable seals
- See Features & Benefits for additional info.



## Bearing Dimensions

| Size Code     | Shaft Diameter | Part Number | A Pilot Diameter | B Distance Between Bolt Holes | L Mounting Surface to Collar Face | R Bolt Circle Radius | C      | D       | F Bolts | H     | J       | M       | P      | U     | Approx. Weight |
|---------------|----------------|-------------|------------------|-------------------------------|-----------------------------------|----------------------|--------|---------|---------|-------|---------|---------|--------|-------|----------------|
| <b>4-Bolt</b> |                |             |                  |                               |                                   |                      |        |         |         |       |         |         |        |       |                |
| 4             | 1 7/16         | ZBR3107     | 3.625            | 3 3/32                        | 1 1/2                             | 2 3/16               | 5 1/4  | 2 59/64 | 3/8     | 1/2   | 1 3/8   | 2 5/16  | 25/32  | 3/4   | 5.60           |
| 5             | 1 11/16        | ZBR3111     | 4.250            | 3 5/8                         | 1 19/32                           | 2 9/16               | 6 1/8  | 3 3/16  | 7/16    | 1/2   | 1 17/32 | 2 5/8   | 3/4    | 7/8   | 8.60           |
| 6             | 1 15/16        | ZBR3115     | 4.500            | 3 51/64                       | 1 23/32                           | 2 11/16              | 6 3/8  | 3 9/32  | 7/16    | 9/16  | 1 9/16  | 2 15/16 | 27/32  | 7/8   | 9.00           |
| 7             | 2 3/16         | ZBR3203     | 5.000            | 4 1/4                         | 1 15/16                           | 3                    | 7 1/8  | 3 1/2   | 1/2     | 9/16  | 1 9/16  | 3 1/4   | 31/32  | 1     | 14.10          |
| 8             | 2 7/16         | ZBR3207     | 5.500            | 4 19/32                       | 1 31/32                           | 3 1/4                | 7 5/8  | 3 21/32 | 1/2     | 5/8   | 1 11/16 | 3 9/16  | 1 1/64 | 1     | 15.00          |
|               | 2 1/2          | ZBR3208     |                  |                               |                                   |                      |        |         |         |       |         |         |        |       | 14.60          |
| 9             | 2 11/16        | ZBR3211     | 6.375            | 5 19/64                       | 2 13/64                           | 3 3/4                | 8 3/4  | 4 13/64 | 5/8     | 3/4   | 2       | 4 1/16  | 1 1/64 | 1 1/4 | 23.80          |
|               | 2 15/16        | ZBR3215     |                  |                               |                                   |                      |        |         |         |       |         |         |        |       | 22.70          |
| 10            | 3 7/16         | ZBR3307     | 7.375            | 6 3/32                        | 2 37/64                           | 4 5/16               | 10 1/4 | 4 37/64 | 3/4     | 15/16 | 2       | 4 15/16 | 1 9/64 | 1 1/4 | 34.40          |
|               | 3 1/2          | ZBR3308     |                  |                               |                                   |                      |        |         |         |       |         |         |        |       | 33.90          |
| 11            | 3 15/16        | ZBR3315     | 8.125            | 6 5/8                         | 2 11/16                           | 4 11/16              | 10 7/8 | 5 3/16  | 3/4     | 1 1/8 | 2 1/2   | 5 5/8   | 1 1/16 | 1 1/2 | 49.00          |

## Additional Notes

- Please call 1-866-REXNORD for availability
- Lubrication fitting tap size, 1/8" PT
- Bore size = nominal shaft size +.001 in/- .000 in (+0.03 mm/-0.00 mm)
- Pilot Diameter tolerance, +.000 in/- .002 in (+0.00 mm/-0.05 mm)
- Bore tolerance for mounting, +.002 in/- .000 in (+0.05 mm/-0.00 mm)
- Seals - To specify K or M seal, replace "Z" in part number with "K" or "M"
- Auxiliary end caps - available in all size codes

For the Selection Guide, Load Ratings and Speed Limits, see the Rex Spherical Roller Bearings Engineering section  
 Note: Dimensions subject to change. Certified dimensions of ordered material furnished on request.

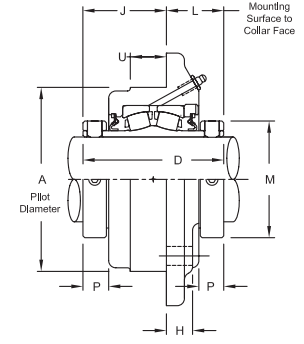
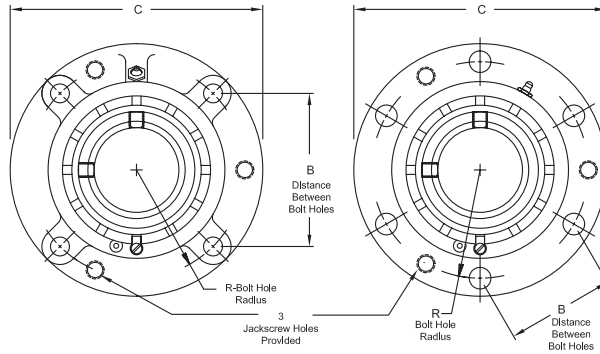
# ZBR5000



Photo Shows a 4-Bolt Spherical Roller Bearing Flanged Cartridge Unit

## Product Features

- Corrosion-resistant powder coating
- Cast iron housing
- Misalignment capabilities - total of 4°
- Broad range of sealing options
- Factory set clearance & lubrication
- Precision ground & superfinished raceways
- Two hardened spring locking collars
- Field interchangeable seals
- See Features & Benefits for additional info.



## Bearing Dimensions

| Size Code     | Shaft Diameter | Part Number | A Pilot Diameter | B Distance Between Bolt Holes | L Mounting Surface to Collar Face | R Bolt Circle Radius | C      | D       | F Bolts | H     | J       | M       | P      | U     | Approx. Weight |        |       |        |        |        |       |       |        |        |       |       |       |
|---------------|----------------|-------------|------------------|-------------------------------|-----------------------------------|----------------------|--------|---------|---------|-------|---------|---------|--------|-------|----------------|--------|-------|--------|--------|--------|-------|-------|--------|--------|-------|-------|-------|
| <b>4-Bolt</b> |                |             |                  |                               |                                   |                      |        |         |         |       |         |         |        |       |                |        |       |        |        |        |       |       |        |        |       |       |       |
| 4             | 1 7/16         | ZBR5107     | 3.625            | 53.19                         | 1 1/2                             | 2 3/16               | 5 1/4  | 3 9/16  | 3/8     | 1/2   | 2 1/16  | 2 5/16  | 11/16  | 3/4   | 5.90           |        |       |        |        |        |       |       |        |        |       |       |       |
|               | 35.00          | ZBR5035MM   | 92.075           | 53.19                         | 38.10                             | 55.56                | 133.35 | 90.49   | 9.00    | 12.70 | 52.39   | 58.74   | 17.46  | 19.05 | 2.70           |        |       |        |        |        |       |       |        |        |       |       |       |
| 5             | 1 1/2          | ZBR5108     | 4.250            | 3 5/8                         | 1 19/32                           | 2 9/16               | 6 1/8  | 3 13/16 | 7/16    | 1/2   | 2 7/32  | 2 19/32 | 11/16  | 7/8   | 9.10           |        |       |        |        |        |       |       |        |        |       |       |       |
|               | 1 11/16        | ZBR5111     |                  |                               |                                   |                      |        |         |         |       |         |         |        |       | 8.70           |        |       |        |        |        |       |       |        |        |       |       |       |
|               | 40.00          | ZBR5040MM   | 107.950          | 92.08                         | 40.49                             | 65.09                | 155.58 | 96.84   | 11.00   | 12.70 | 56.34   | 65.88   | 17.46  | 22.23 | 4.10           |        |       |        |        |        |       |       |        |        |       |       |       |
|               | 45.00          | ZBR5045MM   |                  |                               |                                   |                      |        |         |         |       |         |         |        |       | 3.90           |        |       |        |        |        |       |       |        |        |       |       |       |
| 6             | 1 15/16        | ZBR5115     | 4.500            | 3 51/64                       | 1 9/16                            | 2 11/16              | 6 3/8  | 3 13/16 | 7/16    | 9/16  | 2 1/4   | 2 7/8   | 11/16  | 7/8   | 9.60           |        |       |        |        |        |       |       |        |        |       |       |       |
|               | 50.00          | ZBR5050MM   | 114.300          | 96.44                         | 39.69                             | 68.26                | 161.93 | 96.84   | 11.00   | 14.29 | 57.15   | 73.03   | 17.46  | 22.23 | 3.40           |        |       |        |        |        |       |       |        |        |       |       |       |
| 7             | 2              | ZBR5200     | 5.000            | 4 1/4                         | 1 3/4                             | 3                    | 7 1/8  | 4 1/8   | 1/2     | 9/16  | 2 3/8   | 3 1/4   | 13/16  | 1     | 13.70          |        |       |        |        |        |       |       |        |        |       |       |       |
|               | 2 3/16         | ZBR5203     |                  |                               |                                   |                      |        |         |         |       |         |         |        |       | 13.00          |        |       |        |        |        |       |       |        |        |       |       |       |
|               | 55.00          | ZBR5055MM   | 127.000          | 107.95                        | 44.45                             | 76.20                | 180.98 | 104.78  | 13.00   | 14.29 | 60.33   | 82.60   | 20.64  | 25.40 | 5.90           |        |       |        |        |        |       |       |        |        |       |       |       |
| 8             | 2 7/16         | ZBR5207     | 5.500            | 4 19/32                       | 1 13/16                           | 3 1/4                | 7 5/8  | 4 3/8   | 1/2     | 5/8   | 2 9/16  | 3 9/16  | 7/8    | 1     | 15.90          |        |       |        |        |        |       |       |        |        |       |       |       |
|               | 60.00          | ZBR5060MM   | 139.700          | 116.66                        | 46.04                             | 82.55                | 193.68 | 111.13  | 13.00   | 15.88 | 65.09   | 90.50   | 22.23  | 25.40 | 7.20           |        |       |        |        |        |       |       |        |        |       |       |       |
|               | 65.00          | ZBR5065MM   |                  |                               |                                   |                      |        |         |         |       |         |         |        |       | 7.00           |        |       |        |        |        |       |       |        |        |       |       |       |
| 9             | 2 1/2          | ZBR5208     | 6.375            | 5 19/64                       | 2                                 | 3 3/4                | 8 3/4  | 4 7/8   | 5/8     | 3/4   | 2 7/8   | 4 1/16  | 7/8    | 1 1/4 | 26.10          |        |       |        |        |        |       |       |        |        |       |       |       |
|               | 2 11/16        | ZBR5211     |                  |                               |                                   |                      |        |         |         |       |         |         |        |       | 24.80          |        |       |        |        |        |       |       |        |        |       |       |       |
|               | 2 15/16        | ZBR5215     |                  |                               |                                   |                      |        |         |         |       |         |         |        |       | 22.70          |        |       |        |        |        |       |       |        |        |       |       |       |
|               | 70.00          | ZBR5070MM   |                  |                               |                                   |                      |        |         |         |       |         |         |        |       | 161.925        | 134.54 | 50.80 | 95.25  | 222.25 | 123.83 | 16.00 | 19.05 | 73.03  | 103.20 | 22.23 | 31.75 | 11.20 |
|               | 75.00          | ZBR5075MM   |                  |                               |                                   |                      |        |         |         |       |         |         |        |       |                |        |       |        |        |        |       |       |        |        |       |       | 10.30 |
| 10            | 3 3/16         | ZBR5303     | 7.375            | 6 3/32                        | 2 3/8                             | 4 5/16               | 10 1/4 | 5 5/16  | 3/4     | 15/16 | 2 15/16 | 4 29/32 | 15/16  | 1 1/4 | 38.00          |        |       |        |        |        |       |       |        |        |       |       |       |
|               | 3 7/16         | ZBR5307     |                  |                               |                                   |                      |        |         |         |       |         |         |        |       | 36.50          |        |       |        |        |        |       |       |        |        |       |       |       |
|               | 80.00          | ZBR5080MM   | 187.325          | 154.79                        | 60.33                             | 109.54               | 260.35 | 134.94  | 19.00   | 23.81 | 74.62   | 124.62  | 23.81  | 31.75 | 17.20          |        |       |        |        |        |       |       |        |        |       |       |       |
|               | 85.00          | ZBR5085MM   |                  |                               |                                   |                      |        |         |         |       |         |         |        |       | 17.10          |        |       |        |        |        |       |       |        |        |       |       |       |
| 90.00         | ZBR5090MM      |             |                  |                               |                                   |                      |        |         |         |       |         |         |        | 17.00 |                |        |       |        |        |        |       |       |        |        |       |       |       |
| 11            | 3 11/16        | ZBR5311     | 8.125            | 6 5/8                         | 2 11/16                           | 4 11/16              | 10 7/8 | 6 1/8   | 3/4     | 1 1/8 | 3 9/16  | 5 5/8   | 1 1/32 | 1 1/2 | 56.00          |        |       |        |        |        |       |       |        |        |       |       |       |
|               | 3 15/16        | ZBR5315     |                  |                               |                                   |                      |        |         |         |       |         |         |        |       | 53.00          |        |       |        |        |        |       |       |        |        |       |       |       |
|               | 4              | ZBR5400     |                  |                               |                                   |                      |        |         |         |       |         |         |        |       | 52.00          |        |       |        |        |        |       |       |        |        |       |       |       |
|               | 100.00         | ZBR5100MM   |                  |                               |                                   |                      |        |         |         |       |         |         |        |       | 206.375        | 168.28 | 68.26 | 119.06 | 276.23 | 155.58 | 19.00 | 28.58 | 90.48  | 142.90 | 26.19 | 38.10 | 24.00 |
| <b>6-Bolt</b> |                |             |                  |                               |                                   |                      |        |         |         |       |         |         |        |       |                |        |       |        |        |        |       |       |        |        |       |       |       |
| 12            | 4 7/16         | ZBR5407Y    | 10.250           | 5 7/8                         | 2 5/16                            | 5 7/8                | 13 1/2 | 6 1/4   | 3/4     | 1     | 3 15/16 | 6 3/16  | 1 1/16 | 2     | 84.00          |        |       |        |        |        |       |       |        |        |       |       |       |
|               | 4 1/2          | ZBR5408Y    |                  |                               |                                   |                      |        |         |         |       |         |         |        |       | 83.00          |        |       |        |        |        |       |       |        |        |       |       |       |
|               | 110.00         | ZBR5110MM   |                  |                               |                                   |                      |        |         |         |       |         |         |        |       | 260.350        | 149.23 | 58.74 | 149.23 | 342.90 | 158.75 | 19.00 | 25.40 | 100.01 | 157.16 | 26.99 | 50.80 | 39.00 |
|               | 115.00         | ZBR5115MM   |                  |                               |                                   |                      |        |         |         |       |         |         |        |       |                |        |       |        |        |        |       |       |        |        |       |       | 38.00 |
| 13            | 4 15/16        | ZBR5415     | 11.000           | 6 3/8                         | 2 31/32                           | 6 3/8                | 14 3/4 | 7 7/8   | 7/8     | 1 1/4 | 4 29/32 | 7 1/16  | 1 5/32 | 2 1/4 | 128.00         |        |       |        |        |        |       |       |        |        |       |       |       |
|               | 5              | ZBR5500     |                  |                               |                                   |                      |        |         |         |       |         |         |        |       | 125.00         |        |       |        |        |        |       |       |        |        |       |       |       |

Continued...

Continued...

## Bearing Dimensions

| Size Code                 | Shaft Diameter                  | Part Number | A Pilot Diameter | B Distance Between Bolt Holes | L Mounting Surface to Collar Face | R Bolt Circle Radius          | C      | D                             | F Bolts                     | H                             | J                               | M                               | P                              | U                             | Approx. Weight |
|---------------------------|---------------------------------|-------------|------------------|-------------------------------|-----------------------------------|-------------------------------|--------|-------------------------------|-----------------------------|-------------------------------|---------------------------------|---------------------------------|--------------------------------|-------------------------------|----------------|
| <b>6-Bolt (continued)</b> |                                 |             |                  |                               |                                   |                               |        |                               |                             |                               |                                 |                                 |                                |                               |                |
| 13                        | 125.00                          | ZBR5125MM   | 279.400          | 161.93                        | 75.41                             | 161.93                        | 374.65 | 200.03                        | 22.00                       | 31.75                         | 124.61                          | 179.39                          | 29.37                          | 57.15                         | 58.00          |
|                           | 130.00                          | ZBR5130MM   |                  |                               |                                   |                               |        |                               |                             |                               |                                 |                                 |                                |                               | 57.00          |
| 14                        | 5 <sup>7</sup> / <sub>16</sub>  | ZBR5507     | 13.000           | 7 <sup>1</sup> / <sub>4</sub> | 3 <sup>7</sup> / <sub>32</sub>    | 7 <sup>1</sup> / <sub>4</sub> | 17     | 8                             | <sup>7</sup> / <sub>8</sub> | 1 <sup>3</sup> / <sub>8</sub> | 4 <sup>25</sup> / <sub>32</sub> | 8 <sup>3</sup> / <sub>16</sub>  | 1 <sup>7</sup> / <sub>32</sub> | 2                             | 184.00         |
|                           | 140.00                          | ZBR5140MM   | 330.200          | 184.15                        | 81.73                             | 184.15                        | 431.80 | 203.20                        | 22.00                       | 34.93                         | 121.44                          | 207.96                          | 30.96                          | 50.80                         | 83.40          |
| 15                        | 5 <sup>15</sup> / <sub>16</sub> | ZBR5515     | 14.000           | 8 <sup>1</sup> / <sub>4</sub> | 3 <sup>1</sup> / <sub>16</sub>    | 8 <sup>1</sup> / <sub>4</sub> | 19     | 8 <sup>1</sup> / <sub>8</sub> | <sup>7</sup> / <sub>8</sub> | 1                             | 5 <sup>1</sup> / <sub>16</sub>  | 8 <sup>5</sup> / <sub>8</sub>   | 1 <sup>5</sup> / <sub>32</sub> | 1 <sup>3</sup> / <sub>8</sub> | 214.00         |
|                           | 6                               | ZBR5600     |                  |                               |                                   |                               |        |                               |                             |                               |                                 |                                 |                                |                               | 213.00         |
|                           | 150.00                          | ZBR5150MM   | 355.600          | 209.55                        | 77.79                             | 209.55                        | 482.60 | 206.38                        | 22.00                       | 25.40                         | 128.59                          | 219.08                          | 29.37                          | 34.93                         | 97.00          |
|                           | 160.00                          | ZBR5160MM   |                  |                               |                                   |                               |        |                               |                             |                               |                                 |                                 |                                |                               | 95.00          |
| 16                        | 6 <sup>7</sup> / <sub>16</sub>  | ZBR5607     | 15.000           | 8 <sup>1</sup> / <sub>2</sub> | 3 <sup>3</sup> / <sub>8</sub>     | 8 <sup>1</sup> / <sub>2</sub> | 19     | 8 <sup>3</sup> / <sub>4</sub> | 1                           | 1                             | 5 <sup>3</sup> / <sub>8</sub>   | 9 <sup>23</sup> / <sub>32</sub> | 1 <sup>9</sup> / <sub>32</sub> | 1 <sup>1</sup> / <sub>2</sub> | 246.00         |
|                           | 6 <sup>15</sup> / <sub>16</sub> | ZBR5615     |                  |                               |                                   |                               |        |                               |                             |                               |                                 |                                 |                                |                               | 241.00         |
|                           | 7                               | ZBR5700     | 239.00           |                               |                                   |                               |        |                               |                             |                               |                                 |                                 |                                |                               |                |
|                           | 180.00                          | ZBR5180MM   | 381.000          | 215.90                        | 85.73                             | 215.90                        | 482.60 | 222.25                        | 25.00                       | 25.40                         | 136.53                          | 246.86                          | 32.54                          | 38.10                         | 108.00         |

## Additional Notes

Please call 1-866-REXNORD for availability

Metric bore sizes available, see Rex Interchangeability guide

Lubrication fitting tap size: for size code 4 thru 11, 1/8" PT; for all other size codes, 1/4" PT

Bore size = nominal shaft size +.001 in/-.000 in (+0.03 mm/-0.00 mm)

Pilot Diameter tolerance, +.000 in/-.002 in (+0.00 mm/-0.05 mm) for size codes 4 thru 13

Pilot Diameter tolerance, +.000"/-.005" for size codes 14 thru 16

Bore tolerance for mounting, +.002 in/-.000 in (+0.05 mm/-0.00 mm) for size codes 4 thru 13

Bore tolerance for mounting, +.005"/-.000" for size codes 14 thru 16

Seals - To specify K or M seal, replace "Z" in part number with "K" or "M"

"K" seals only available in size codes 4 thru 11

Auxiliary end caps - available in all size codes

For the Selection Guide, Load Ratings and Speed Limits, see the Rex Spherical Roller Bearings Engineering section

Note: Dimensions subject to change. Certified dimensions of ordered material furnished on request.



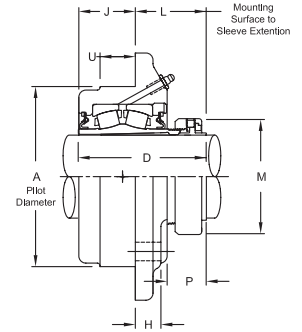
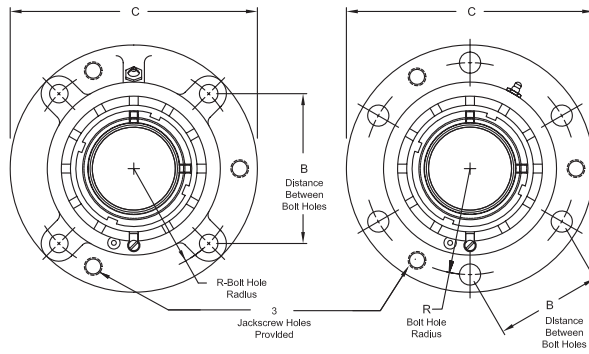
# ZBR6000



Photo Shows a 4-Bolt Spherical Roller Bearing Flanged Cartridge Unit

## Product Features

- Spyglass™ Optical Strain Sensor (OSS) Technology
- Positive locking system
- Tapered adapter sleeve
- Corrosion-resistant powder coating
- Cast iron housing
- Misalignment capabilities - total of 4°
- Broad range of sealing options
- Factory set clearance & lubrication
- Precision ground & superfinished raceways
- See Features & Benefits for additional info.



## Bearing Dimensions

| Size Code     | Shaft Diameter | Part Number      | A Pilot Diameter | B Distance Between Bolt Holes | L Mounting Surface to Collar Face | R Bolt Circle Radius | C             | D             | F Bolts      | H            | J            | M             | P            | U            | Approx. Weight |               |              |               |               |               |              |              |              |               |              |              |              |
|---------------|----------------|------------------|------------------|-------------------------------|-----------------------------------|----------------------|---------------|---------------|--------------|--------------|--------------|---------------|--------------|--------------|----------------|---------------|--------------|---------------|---------------|---------------|--------------|--------------|--------------|---------------|--------------|--------------|--------------|
| <b>4-Bolt</b> |                |                  |                  |                               |                                   |                      |               |               |              |              |              |               |              |              |                |               |              |               |               |               |              |              |              |               |              |              |              |
| 4             | 1 7/16         | ZBR6107          | 3.625            | 3 3/32                        | 1 61/64                           | 2 3/16               | 5 1/4         | 3 21/64       | 3/8          | 1/2          | 1 3/8        | 2 25/64       | 1 9/64       | 3/4          | 5.40           |               |              |               |               |               |              |              |              |               |              |              |              |
| 5             | 1 11/16        | ZBR6111          | 4.250            | 3 5/8                         | 2 3/16                            | 2 9/16               | 6 1/8         | 3 47/64       | 7/16         | 1/2          | 1 17/32      | 2 41/64       | 1 9/32       | 7/8          | 8.40           |               |              |               |               |               |              |              |              |               |              |              |              |
| 6             | 1 15/16        | ZBR6115          | 4.500            | 3 51/64                       | 2                                 | 2 11/16              | 6 3/8         | 3 41/64       | 7/16         | 9/16         | 1 9/16       | 2 55/64       | 1 1/8        | 7/8          | 9.60           |               |              |               |               |               |              |              |              |               |              |              |              |
|               | <b>45.00</b>   | <b>ZBR6045MM</b> | <b>114.300</b>   | <b>96.44</b>                  | <b>50.80</b>                      | <b>68.26</b>         | <b>161.93</b> | <b>92.47</b>  | <b>11.00</b> | <b>14.29</b> | <b>39.69</b> | <b>72.63</b>  | <b>28.58</b> | <b>22.23</b> | <b>4.40</b>    |               |              |               |               |               |              |              |              |               |              |              |              |
| 7             | 2 3/16         | ZBR6203          | 5.000            | 4 1/4                         | 2 7/64                            | 3                    | 7 1/8         | 3 11/16       | 1/2          | 9/16         | 1 9/16       | 3 15/64       | 1 5/32       | 1            | 13.70          |               |              |               |               |               |              |              |              |               |              |              |              |
|               | <b>55.00</b>   | <b>ZBR6055MM</b> | <b>127.000</b>   | <b>107.95</b>                 | <b>53.57</b>                      | <b>76.20</b>         | <b>180.98</b> | <b>93.66</b>  | <b>13.00</b> | <b>14.29</b> | <b>39.69</b> | <b>82.15</b>  | <b>29.37</b> | <b>25.40</b> | <b>5.90</b>    |               |              |               |               |               |              |              |              |               |              |              |              |
| 8             | 2 3/8          | ZBR6206          | 5.500            | 4 19/32                       | 2 23/64                           | 3 1/4                | 7 5/8         | 4 1/16        | 1/2          | 5/8          | 1 11/16      | 3 19/32       | 1 27/64      | 1            | 16.20          |               |              |               |               |               |              |              |              |               |              |              |              |
|               | 2 7/16         | ZBR6207          |                  |                               |                                   |                      |               |               |              |              |              |               |              |              | 15.90          |               |              |               |               |               |              |              |              |               |              |              |              |
|               | <b>60.00</b>   | <b>ZBR6060MM</b> | <b>139.700</b>   | <b>116.66</b>                 | <b>59.92</b>                      | <b>82.55</b>         | <b>193.68</b> | <b>103.19</b> | <b>13.00</b> | <b>15.88</b> | <b>42.86</b> | <b>91.28</b>  | <b>36.12</b> | <b>25.40</b> | <b>7.20</b>    |               |              |               |               |               |              |              |              |               |              |              |              |
| 9             | 2 11/16        | ZBR6211          | 6.375            | 5 19/64                       | 2 17/32                           | 3 3/4                | 8 3/4         | 4 17/32       | 5/8          | 3/4          | 2            | 4 3/32        | 1 25/64      | 1 1/4        | 26.10          |               |              |               |               |               |              |              |              |               |              |              |              |
|               | 2 3/4          | ZBR6212          |                  |                               |                                   |                      |               |               |              |              |              |               |              |              | 24.80          |               |              |               |               |               |              |              |              |               |              |              |              |
|               | 2 15/16        | ZBR6215          |                  |                               |                                   |                      |               |               |              |              |              |               |              |              | 22.70          |               |              |               |               |               |              |              |              |               |              |              |              |
|               | <b>70.00</b>   | <b>ZBR6070MM</b> |                  |                               |                                   |                      |               |               |              |              |              |               |              |              | <b>161.925</b> | <b>134.54</b> | <b>64.29</b> | <b>95.25</b>  | <b>222.25</b> | <b>115.09</b> | <b>16.00</b> | <b>19.05</b> | <b>50.80</b> | <b>103.98</b> | <b>35.32</b> | <b>31.75</b> | <b>11.20</b> |
|               | <b>75.00</b>   | <b>ZBR6075MM</b> |                  |                               |                                   |                      |               |               |              |              |              |               |              |              | <b>10.30</b>   |               |              |               |               |               |              |              |              |               |              |              |              |
| 10            | 3 3/16         | ZBR6303          | 7.375            | 6 3/32                        | 3 1/32                            | 4 5/16               | 10 1/4        | 5 1/32        | 3/4          | 15/16        | 2            | 4 61/64       | 1 19/32      | 1 1/4        | 38.00          |               |              |               |               |               |              |              |              |               |              |              |              |
|               | 3 7/16         | ZBR6307          |                  |                               |                                   |                      |               |               |              |              |              |               |              |              | 36.50          |               |              |               |               |               |              |              |              |               |              |              |              |
|               | <b>80.00</b>   | <b>ZBR6080MM</b> |                  |                               |                                   |                      |               |               |              |              |              |               |              |              | <b>187.325</b> | <b>154.79</b> | <b>76.99</b> | <b>109.54</b> | <b>260.35</b> | <b>127.79</b> | <b>19.00</b> | <b>23.81</b> | <b>50.80</b> | <b>125.81</b> | <b>40.48</b> | <b>31.75</b> | <b>17.20</b> |
|               | <b>85.00</b>   | <b>ZBR6085MM</b> |                  |                               |                                   |                      |               |               |              |              |              |               |              |              |                |               |              |               |               |               |              |              |              |               |              |              | <b>17.10</b> |
| 11            | 3 11/16        | ZBR6311          | 8.125            | 6 5/8                         | 3 23/64                           | 4 11/16              | 10 7/8        | 5 25/32       | 3/4          | 1 1/8        | 2 1/2        | 5 43/64       | 1 47/64      | 1 1/2        | 56.00          |               |              |               |               |               |              |              |              |               |              |              |              |
|               | 3 15/16        | ZBR6315          |                  |                               |                                   |                      |               |               |              |              |              |               |              |              | 53.00          |               |              |               |               |               |              |              |              |               |              |              |              |
|               | <b>100.00</b>  | <b>ZBR6100MM</b> | <b>206.375</b>   | <b>168.28</b>                 | <b>85.32</b>                      | <b>119.06</b>        | <b>276.23</b> | <b>146.84</b> | <b>19.00</b> | <b>28.58</b> | <b>63.50</b> | <b>144.07</b> | <b>44.05</b> | <b>38.10</b> | <b>24.00</b>   |               |              |               |               |               |              |              |              |               |              |              |              |
|               | <b>110.00</b>  | <b>ZBR6110MM</b> | <b>260.350</b>   | <b>149.23</b>                 | <b>80.96</b>                      | <b>149.23</b>        | <b>342.90</b> | <b>158.75</b> | <b>19.00</b> | <b>25.40</b> | <b>77.79</b> | <b>153.99</b> | <b>47.63</b> | <b>50.80</b> | <b>39.00</b>   |               |              |               |               |               |              |              |              |               |              |              |              |
|               | <b>125.00</b>  | <b>ZBR6125MM</b> | <b>279.400</b>   | <b>161.93</b>                 | <b>403.19</b>                     | <b>161.93</b>        | <b>374.65</b> | <b>201.61</b> | <b>22.00</b> | <b>31.75</b> | <b>98.43</b> | <b>176.61</b> | <b>57.15</b> | <b>57.15</b> | <b>58.00</b>   |               |              |               |               |               |              |              |              |               |              |              |              |
| <b>6-Bolt</b> |                |                  |                  |                               |                                   |                      |               |               |              |              |              |               |              |              |                |               |              |               |               |               |              |              |              |               |              |              |              |
| 12            | 4 3/16         | ZBR6403Y         | 10.250           | 5 7/8                         | 3 3/16                            | 5 7/8                | 13 1/2        | 6 1/4         | 3/4          | 1            | 3 1/16       | 6 1/16        | 1 7/8        | 2            | 84.00          |               |              |               |               |               |              |              |              |               |              |              |              |
|               | 4 7/16         | ZBR6407Y         |                  |                               |                                   |                      |               |               |              |              |              |               |              |              | 83.00          |               |              |               |               |               |              |              |              |               |              |              |              |
| 13            | 4 15/16        | ZBR6415          | 11.000           | 6 3/8                         | 4 1/16                            | 6 3/8                | 14 3/4        | 7 15/16       | 7/8          | 1 1/4        | 3 7/8        | 6 61/64       | 2 1/4        | 2 1/4        | 128.00         |               |              |               |               |               |              |              |              |               |              |              |              |
| 14            | 5 7/16         | ZBR6507          | 13.000           | 7 1/4                         | 5 1/16                            | 7 1/4                | 17            | 8 49/64       | 7/8          | 1 3/8        | 3 7/8        | 8 1/64        | 3 3/64       | 2            | 184.00         |               |              |               |               |               |              |              |              |               |              |              |              |
| 15            | 5 15/16        | ZBR6515          | 14.000           | 8 1/4                         | 5 23/64                           | 8 1/4                | 19            | 9 19/64       | 7/8          | 1            | 4 3/16       | 8 21/32       | 3 7/16       | 1 3/8        | 214.00         |               |              |               |               |               |              |              |              |               |              |              |              |
| 16            | 6 7/16         | ZBR6607          | 15.000           | 8 1/2                         | 5 53/64                           | 8 1/2                | 19            | 10            | 1            | 1            | 4 1/4        | 9 3/4         | 3 43/64      | 1 1/2        | 246.00         |               |              |               |               |               |              |              |              |               |              |              |              |
|               | 6 15/16        | ZBR6615          |                  |                               |                                   |                      |               |               |              |              |              |               |              |              | 241.00         |               |              |               |               |               |              |              |              |               |              |              |              |

## Additional Notes

- Please call 1-866-REXNORD for availability
- Lubrication fitting tap size: for size code 6 thru 11, 1/8" PT: for all other size codes, 1/4" PT
- Pilot Diameter tolerance, +.000 in/- .002 in (**+0.00 mm/-0.05 mm**)
- Bore tolerance for mounting, +.002 in/- .000 in (**+0.05 mm/-0.00 mm**)
- Seals - To specify K or M seal, replace "Z" in part number with "K" or "M"
- "K" seals only available in size codes 6 thru 11
- Auxiliary end caps - available in all size codes

For the Selection Guide, Load Ratings and Speed Limits, see the Rex Spherical Roller Bearings Engineering section  
 Note: Dimensions subject to change. Certified dimensions of ordered material furnished on request.

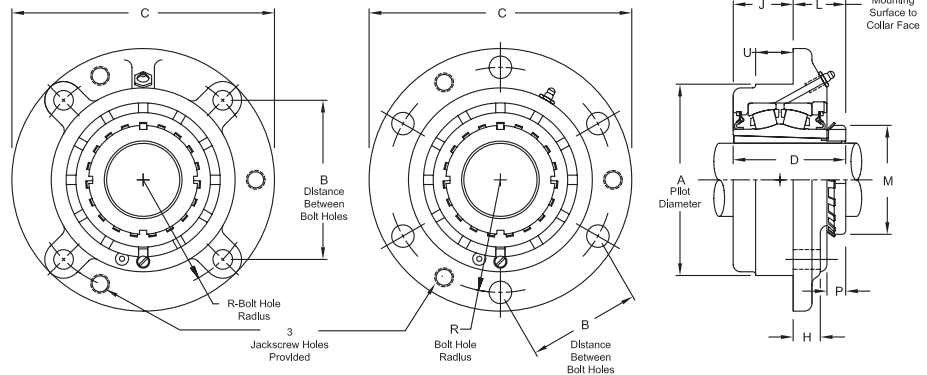
# ZBR9000



Photo Shows a 4-Bolt Spherical Roller Bearing Flanged Cartridge Unit

## Product Features

- Corrosion-resistant powder coating
- Cast iron housing
- Misalignment capabilities - total of 4°
- Broad range of sealing options
- Factory set clearance & lubrication
- Precision ground & superfinished raceways
- Enhanced life mounting style
- Field interchangeable seals
- See Features & Benefits for additional info.



## Bearing Dimensions

| Size Code     | Shaft Diameter | Part Number | A Pilot Diameter | B Distance Between Bolt Holes | L Mounting Surface to Collar Face | R Bolt circle Radius | C      | D       | F Bolts | H     | J       | M       | P       | U     | Approx. Weight |
|---------------|----------------|-------------|------------------|-------------------------------|-----------------------------------|----------------------|--------|---------|---------|-------|---------|---------|---------|-------|----------------|
| <b>4-Bolt</b> |                |             |                  |                               |                                   |                      |        |         |         |       |         |         |         |       |                |
| 7             | 1 15/16        | ZBR9115     | 5.000            | 4 1/4                         | 1 19/32                           | 3                    | 7 1/8  | 3 5/32  | 1/2     | 9/16  | 1 9/16  | 2 31/32 | 19/32   | 1     | 12.20          |
|               | 2              | ZBR9200     |                  |                               |                                   |                      |        |         |         |       |         |         |         |       | 12.10          |
|               | 45.00          | ZBR9045MM   | 127.000          | 107.95                        | 40.49                             | 76.20                | 180.98 | 80.17   | 13.00   | 14.29 | 39.69   | 75.40   | 15.08   | 25.40 | 5.50           |
|               | 50.00          | ZBR9050MM   |                  |                               |                                   |                      |        |         |         |       |         |         |         |       | 5.30           |
| 8             | 2 3/16         | ZBR9203     | 5.500            | 4 19/32                       | 1 21/32                           | 3 1/4                | 7 5/8  | 3 11/32 | 1/2     | 5/8   | 1 11/16 | 3 3/8   | 23/32   | 1     | 15.20          |
|               | 55.00          | ZBR9055MM   | 139.700          | 116.66                        | 42.06                             | 82.55                | 193.68 | 84.93   | 13.00   | 15.88 | 42.86   | 85.73   | 18.26   | 25.40 | 6.90           |
| 9             | 2 7/16         | ZBR9207     | 6.375            | 5 19/64                       | 1 3/4                             | 3 3/4                | 8 3/4  | 3 3/4   | 5/8     | 3/4   | 2       | 3 5/8   | 5/8     | 1 1/4 | 22.70          |
|               | 2 1/2          | ZBR9208     |                  |                               |                                   |                      |        |         |         |       |         |         |         |       | 22.30          |
| 10            | 2 11/16        | ZBR9211     | 7.375            | 6 3/32                        | 2 1/4                             | 4 5/16               | 10 1/4 | 4 1/4   | 3/4     | 15/16 | 2       | 4 13/32 | 13/16   | 1 1/4 | 36.40          |
|               | 2 15/16        | ZBR9215     |                  |                               |                                   |                      |        |         |         |       |         |         |         |       | 35.40          |
|               | 3              | ZBR9300     | 34.70            |                               |                                   |                      |        |         |         |       |         |         |         |       |                |
|               | 75.00          | ZBR9075MM   | 187.325          | 154.79                        | 57.15                             | 109.54               | 260.35 | 107.95  | 19.00   | 23.81 | 50.80   | 111.92  | 20.64   | 31.75 | 16.00          |
| 11            | 3 3/16         | ZBR9303     | 8.125            | 6 5/8                         | 2 9/16                            | 4 11/16              | 10 7/8 | 5       | 3/4     | 1 1/8 | 2 1/2   | 5 3/16  | 15/16   | 1 1/2 | 55.50          |
|               | 3 7/16         | ZBR9307     |                  |                               |                                   |                      |        |         |         |       |         |         |         |       | 53.50          |
|               | 80.00          | ZBR9080MM   | 206.375          | 168.28                        | 65.09                             | 119.06               | 276.23 | 127.00  | 19.00   | 28.58 | 63.50   | 131.76  | 23.81   | 38.10 | 25.00          |
| <b>6-Bolt</b> |                |             |                  |                               |                                   |                      |        |         |         |       |         |         |         |       |                |
| 12            | 3 11/16        | ZBR9311Y    | 10.250           | 5 7/8                         | 2 11/32                           | 5 7/8                | 13 1/2 | 5 17/32 | 3/4     | 1     | 3 1/16  | 5 23/32 | 1 1/32  | 2     | 84.20          |
|               | 3 15/16        | ZBR9315Y    |                  |                               |                                   |                      |        |         |         |       |         |         |         |       | 81.90          |
|               | 4              | ZBR9400Y    | 81.40            |                               |                                   |                      |        |         |         |       |         |         |         |       |                |
|               | 100.00         | ZBR9100MM   | 260.350          | 149.23                        | 59.52                             | 149.23               | 342.90 | 140.49  | 19.00   | 25.40 | 77.79   | 145.26  | 26.19   | 50.80 | 37.00          |
| 13            | 4 3/16         | ZBR9403     | 11.000           | 6 3/8                         | 2 7/8                             | 6 3/8                | 14 3/4 | 6 3/4   | 7/8     | 1 1/4 | 3 7/8   | 6 1/8   | 1 1/8   | 2 1/4 | 128.00         |
|               | 4 7/16         | ZBR9407     |                  |                               |                                   |                      |        |         |         |       |         |         |         |       | 126.00         |
| 14            | 4 15/16        | ZBR9415     | 13.000           | 7 1/4                         | 3 5/16                            | 7 1/4                | 17     | 7 1/16  | 7/8     | 1 3/8 | 3 7/8   | 7 3/32  | 1 1/8   | 2     | 178.00         |
|               | 5              | ZBR9500     |                  |                               |                                   |                      |        |         |         |       |         |         |         |       | 177.00         |
| 15            | 5 7/16         | ZBR9507     | 14.000           | 8 1/4                         | 3 3/8                             | 8 1/4                | 19     | 7 5/16  | 7/8     | 1     | 4 3/16  | 8 1/16  | 1 5/16  | 1 3/8 | 209.00         |
| 16            | 5 15/16        | ZBR9515     | 15.000           | 8 1/2                         | 3 1/2                             | 8 1/2                | 19     | 7 3/4   | 1       | 1     | 4 1/4   | 9 1/16  | 1 11/16 | 1 1/2 | 241.00         |
|               | 6              | ZBR9600     |                  |                               |                                   |                      |        |         |         |       |         |         |         |       | 240.00         |
|               | 6 7/16         | ZBR9607     | 233.00           |                               |                                   |                      |        |         |         |       |         |         |         |       |                |

## Additional Notes

- Please call 1-866-REXNORD for availability
- Lubrication fitting tap size: for size code 7 thru 11, 1/8" PT; for all other size codes, 1/4" PT
- Pilot Diameter tolerance, +.000 in/-.002 in (+0.00 mm/-0.05 mm) for size codes 7 thru 13
- Pilot Diameter tolerance, +.005 in/-.000 in (+0.13 mm/-0.00 mm) for size codes 14 thru 16
- Bore tolerance for mounting, +.002 in/-.000 in (+0.05 mm/-0.00 mm) for size codes 7 thru 13

- Bore tolerance for mounting, +.005 in/-.000 in (+0.13 mm/-0.00 mm) for size codes 14 thru 16
- Seals - To specify K or M seal, replace "Z" in part number with "K" or "M"
- "K" seals only available in size codes 7 thru 11
- Auxiliary end caps - available in all size codes
- For the Selection Guide, Load Ratings and Speed Limits, see the Rex Spherical Roller Bearings Engineering section
- Note: Dimensions subject to change. Certified dimensions of ordered material furnished on request.

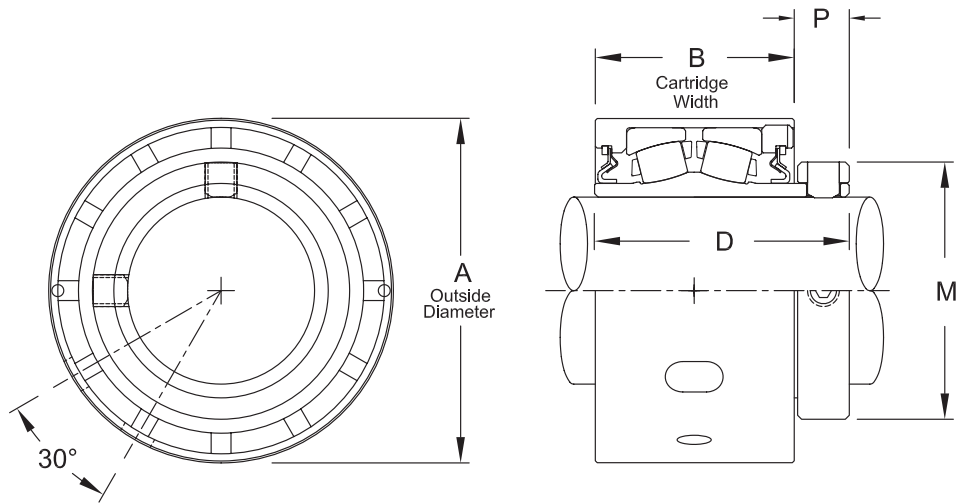
# ZCS2000



Photo Shows a Spherical Roller Bearing Cartridge Unit with Steel Housing

## Product Features

- Steel housing
- Misalignment capabilities - total of 4°
- Broad range of sealing options
- Factory set clearance & lubrication
- Precision ground & superfinished raceways
- Hardened spring locking collar
- Field interchangeable seals
- See Features & Benefits for additional info.



## Bearing Dimensions

| Size Code | Shaft Diameter | Part Number | A Outside Diameter | B Cartridge Length | D      | M       | Approx. Weight |         |        |        |       |
|-----------|----------------|-------------|--------------------|--------------------|--------|---------|----------------|---------|--------|--------|-------|
| 4         | 1 7/16         | ZCS2107     | 3.1240             | 2.190              | 2 7/8  | 2 5/16  | 2.90           |         |        |        |       |
|           | 1 1/2          | ZCS2108     |                    |                    |        |         | 2.80           |         |        |        |       |
| 5         | 35.00          | ZCS2035MM   | 79.3500            | 55.630             | 73.02  | 58.74   | 1.80           |         |        |        |       |
|           | 1 11/16        | ZCS2111     | 3.6360             | 2.440              | 3 1/8  | 2 19/32 | 4.50           |         |        |        |       |
|           | 1 3/4          | ZCS2112     |                    |                    |        |         | 4.40           |         |        |        |       |
|           | 40.00          | ZCS2040MM   | 92.3500            | 61.970             | 79.38  | 65.88   | 2.50           |         |        |        |       |
|           | 45.00          | ZCS2045MM   |                    |                    |        |         |                |         |        |        |       |
| 6         | 1 15/16        | ZCS2115     | 3.8330             | 2.440              | 3 1/8  | 2 7/8   | 5.00           |         |        |        |       |
|           | 2              | ZCS2200     |                    |                    |        |         | 4.80           |         |        |        |       |
|           | 50.00          | ZCS2050MM   |                    |                    |        |         | 97.3600        | 61.970  | 79.38  | 73.03  | 2.30  |
| 7         | 2 3/16         | ZCS2203     | 4.2270             | 2.560              | 3 5/16 | 3 1/4   | 6.40           |         |        |        |       |
|           | 2 1/4          | ZCS2204     |                    |                    |        |         | 6.30           |         |        |        |       |
|           | 55.00          | ZCS2055MM   |                    |                    |        |         | 107.3600       | 65.020  | 84.14  | 82.60  | 3.20  |
| 8         | 2 3/8          | ZCS2206     | 4.6210             | 2 5/8              | 3 1/2  | 3 9/16  | 7.60           |         |        |        |       |
|           | 2 7/16         | ZCS2207     |                    |                    |        |         | 7.50           |         |        |        |       |
|           | 2 1/2          | ZCS2208     |                    |                    |        |         | 7.30           |         |        |        |       |
|           | 60.00          | ZCS2060MM   |                    |                    |        |         | 117.3700       | 66.680  | 88.90  | 90.50  | 3.90  |
|           | 65.00          | ZCS2065MM   |                    |                    |        |         |                |         |        |        |       |
| 9         | 2 11/16        | ZCS2211     | 5.4070             | 3 1/8              | 4      | 4 1/16  | 12.30          |         |        |        |       |
|           | 2 3/4          | ZCS2212     |                    |                    |        |         | 11.90          |         |        |        |       |
|           | 2 15/16        | ZCS2215     |                    |                    |        |         | 10.80          |         |        |        |       |
|           | 3              | ZCS2300     |                    |                    |        |         | 10.50          |         |        |        |       |
|           | 70.00          | ZCS2070MM   |                    |                    |        |         | 137.3380       | 79.380  | 101.60 | 103.20 | 6.40  |
| 75.00     | ZCS2075MM      |             |                    |                    |        | 5.90    |                |         |        |        |       |
| 10        | 3 3/16         | ZCS2303     | 6.1940             | 3.470              | 4 3/8  | 4 29/32 | 17.90          |         |        |        |       |
|           | 3 7/16         | ZCS2307     |                    |                    |        |         | 16.40          |         |        |        |       |
|           | 3 1/2          | ZCS2308     |                    |                    |        |         | 15.90          |         |        |        |       |
|           | 80.00          | ZCS2080MM   |                    |                    |        |         |                |         |        |        | 9.00  |
|           | 85.00          | ZCS2085MM   |                    |                    |        |         | 157.3300       | 88.140  | 111.13 | 124.62 | 8.60  |
| 90.00     | ZCS2090MM      |             |                    |                    |        | 8.20    |                |         |        |        |       |
| 11        | 3 11/16        | ZCS2311     | 7.3750             | 4                  | 5 1/16 | 5 5/8   | 31.10          |         |        |        |       |
|           | 3 15/16        | ZCS2315     |                    |                    |        |         | 28.80          |         |        |        |       |
|           | 4              | ZCS2400     |                    |                    |        |         | 28.10          |         |        |        |       |
|           | 100.00         | ZCS2100MM   |                    |                    |        |         | 187.3200       | 101.600 | 128.59 | 142.90 | 14.10 |

## Additional Notes

- Please call 1-866-REXNORD for availability
- Metric bore sizes available, see Rex Interchangeability guide
- Bore size = nominal shaft size +.001 in/-.000 in (+0.03 mm/-0.00 mm)
- O.D. tolerance, +.000 in/-.002 in (+0.00 mm/-0.05 mm)
- Locking plug thread size, 5/8"-18 UNF
- Locking plug & grease fitting supplied with bearing
- Recommended engagement of locking plug into cartridge slot is .125" +/- .015"

- Seals - to specify K or M seal, replace "Z" in part number with "K" or "M"
- Auxiliary end caps - not available
- For the Selection Guide, Load Ratings and Speed Limits, see the Rex Spherical Roller Bearings Engineering section
- Note: Dimensions subject to change. Certified dimensions of ordered material furnished on request.

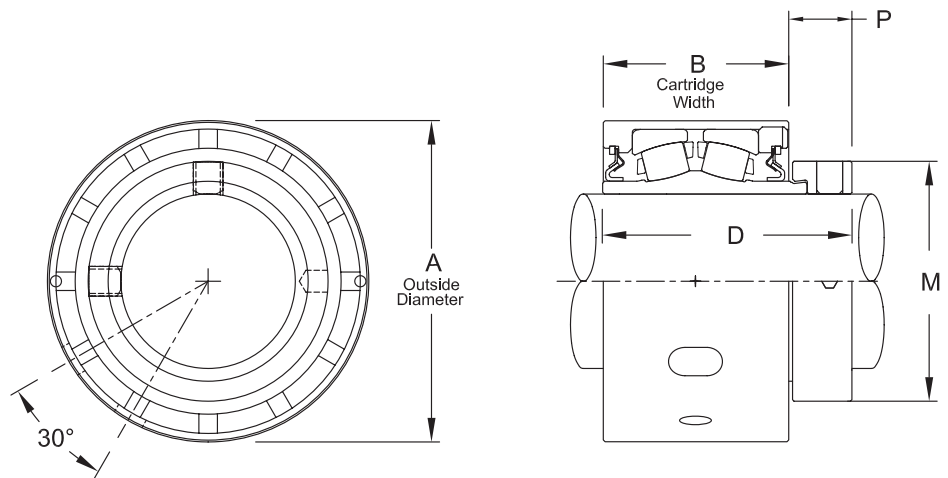
## ZCS3000



Photo Shows a Spherical Roller Bearing Cartridge Unit with Steel Housing

### Product Features

- Steel housing
  - Misalignment capabilities - total of 4°
  - Broad range of sealing options
  - Factory set clearance & lubrication
  - Precision ground & superfinished raceways
  - Eccentric locking collar
  - Field interchangeable seals
- See Features & Benefits for additional info.



### Bearing Dimensions

| Size Code | Shaft Diameter                  | Part Number | A Outside Diameter | B Cartridge Length | D                               | M                               | Approx. Weight |
|-----------|---------------------------------|-------------|--------------------|--------------------|---------------------------------|---------------------------------|----------------|
| 4         | 1 <sup>7</sup> / <sub>16</sub>  | ZCS3107     | 3.1240             | 2.203              | 2 <sup>59</sup> / <sub>64</sub> | 2 <sup>5</sup> / <sub>16</sub>  | 3.10           |
| 5         | 1 <sup>11</sup> / <sub>16</sub> | ZCS3111     | 3.6360             | 2.453              | 3 <sup>3</sup> / <sub>16</sub>  | 2 <sup>5</sup> / <sub>8</sub>   | 4.70           |
| 6         | 1 <sup>15</sup> / <sub>16</sub> | ZCS3115     | 3.8330             | 2.453              | 3 <sup>9</sup> / <sub>32</sub>  | 2 <sup>3</sup> / <sub>4</sub>   | 3.50           |
| 7         | 2 <sup>3</sup> / <sub>16</sub>  | ZCS3203     | 4.2270             | 2.578              | 3 <sup>1</sup> / <sub>2</sub>   | 3 <sup>1</sup> / <sub>4</sub>   | 6.70           |
| 8         | 2 <sup>7</sup> / <sub>16</sub>  | ZCS3207     | 4.6210             | 2.640              | 3 <sup>21</sup> / <sub>32</sub> | 3 <sup>9</sup> / <sub>16</sub>  | 7.70           |
|           | 2 <sup>1</sup> / <sub>2</sub>   | ZCS3208     |                    |                    |                                 |                                 | 7.60           |
| 9         | 2 <sup>11</sup> / <sub>16</sub> | ZCS3211     | 5.4070             | 3.140              | 4 <sup>13</sup> / <sub>64</sub> | 4 <sup>1</sup> / <sub>16</sub>  | 12.50          |
|           | 2 <sup>15</sup> / <sub>16</sub> | ZCS3215     |                    |                    |                                 |                                 | 11.50          |
| 10        | 3 <sup>7</sup> / <sub>16</sub>  | ZCS3307     | 6.1940             | 3.453              | 4 <sup>37</sup> / <sub>64</sub> | 4 <sup>15</sup> / <sub>16</sub> | 17.00          |
|           | 3 <sup>1</sup> / <sub>2</sub>   | ZCS3308     |                    |                    |                                 |                                 | 16.10          |
| 11        | 3 <sup>15</sup> / <sub>16</sub> | ZCS3315     | 7.3750             | 4.000              | 5 <sup>3</sup> / <sub>16</sub>  | 5 <sup>5</sup> / <sub>8</sub>   | 28.80          |

### Additional Notes

- Please call 1-866-REXNORD for availability
- Bore size = nominal shaft size +.001 in/- .000 in (+0.03 mm/-0.00 mm)
- O.D. tolerance, +.000 in/- .002 in (+0.00 mm/-0.05 mm)
- Locking plug thread size, 5/8"-18 UNF
- Locking plug & grease fitting supplied with bearing
- Recommended engagement of locking plug into cartridge slot is .125" +/- .015"
- Seals - to specify K or M seal, replace "Z" in part number with "K" or "M"

Auxiliary end caps - not available  
 For the Selection Guide, Load Ratings and Speed Limits, see the Rex Spherical Roller Bearings Engineering section  
 Note: Dimensions subject to change. Certified dimensions of ordered material furnished on request.

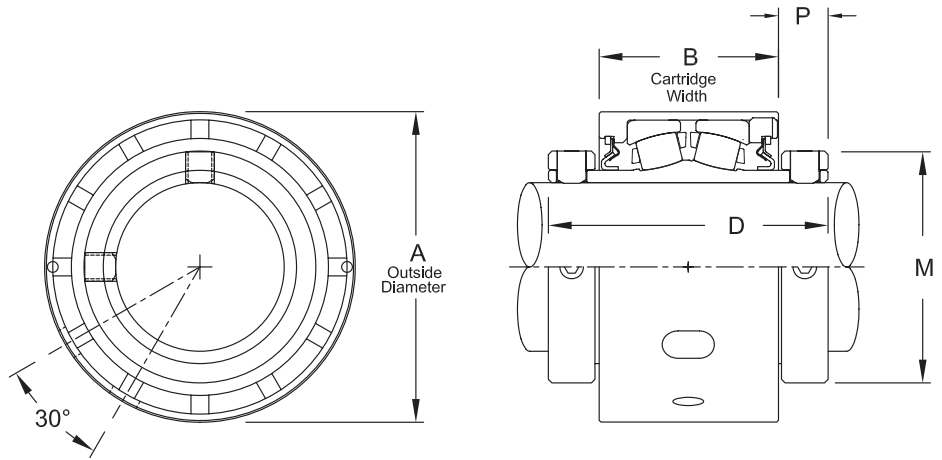
# ZCS5000



Photo Shows a Spherical Roller Bearing Cartridge Unit with Steel Housing

## Product Features

- Steel housing
- Misalignment capabilities - total of 4°
- Broad range of sealing options
- Factory set clearance & lubrication
- Precision ground & superfinished raceways
- Two hardened spring locking collars
- Field interchangeable seals
- See Features & Benefits for additional info.



## Bearing Dimensions

| Size Code                       | Shaft Diameter                  | Part Number | A Outside Diameter | B Cartridge Length            | D                               | M                               | Approx. Weight                |                                |        |        |       |
|---------------------------------|---------------------------------|-------------|--------------------|-------------------------------|---------------------------------|---------------------------------|-------------------------------|--------------------------------|--------|--------|-------|
| 4                               | 1 <sup>7</sup> / <sub>16</sub>  | ZCS5107     | 3.1240             | 2.190                         | 3 <sup>9</sup> / <sub>16</sub>  | 2 <sup>5</sup> / <sub>16</sub>  | 3.30                          |                                |        |        |       |
|                                 | 35.00                           | ZCS5035MM   | 79.3500            | 55.630                        | 90.49                           | 58.74                           | 1.50                          |                                |        |        |       |
| 5                               | 1 <sup>1</sup> / <sub>2</sub>   | ZCS5108     | 3.6360             | 2.440                         | 3 <sup>13</sup> / <sub>16</sub> | 2 <sup>19</sup> / <sub>32</sub> | 5.70                          |                                |        |        |       |
|                                 | 1 <sup>11</sup> / <sub>16</sub> | ZCS5111     |                    |                               |                                 |                                 | 5.10                          |                                |        |        |       |
|                                 | 40.00                           | ZCS5040MM   | 2.59               |                               |                                 |                                 |                               |                                |        |        |       |
|                                 | 45.00                           | ZCS5045MM   | 2.55               |                               |                                 |                                 |                               |                                |        |        |       |
| 6                               | 1 <sup>15</sup> / <sub>16</sub> | ZCS5115     | 3.8330             | 2.440                         | 3 <sup>13</sup> / <sub>16</sub> | 2 <sup>7</sup> / <sub>8</sub>   | 5.30                          |                                |        |        |       |
|                                 | 50.00                           | ZCS5050MM   | 97.3600            | 61.970                        | 96.84                           | 73.03                           | 2.40                          |                                |        |        |       |
| 7                               | 2                               | ZCS5200     | 4.2270             | 2.560                         | 4 <sup>1</sup> / <sub>8</sub>   | 3 <sup>1</sup> / <sub>4</sub>   | 8.10                          |                                |        |        |       |
|                                 | 2 <sup>3</sup> / <sub>16</sub>  | ZCS5203     |                    |                               |                                 |                                 | 7.50                          |                                |        |        |       |
|                                 | 55.00                           | ZCS5055MM   |                    |                               |                                 |                                 | 65.020                        | 104.78                         | 82.60  | 3.40   |       |
| 8                               | 2 <sup>7</sup> / <sub>16</sub>  | ZCS5207     | 4.6210             | 2 <sup>5</sup> / <sub>8</sub> | 4 <sup>3</sup> / <sub>8</sub>   | 3 <sup>9</sup> / <sub>16</sub>  | 8.70                          |                                |        |        |       |
|                                 | 60.00                           | ZCS5060MM   | 117.3700           | 66.680                        | 111.13                          | 90.50                           | 4.08                          |                                |        |        |       |
|                                 | 65.00                           | ZCS5065MM   |                    |                               |                                 |                                 | 4.20                          |                                |        |        |       |
|                                 | 2 <sup>1</sup> / <sub>2</sub>   | ZCS5208     | 5.4070             | 3 <sup>1</sup> / <sub>8</sub> |                                 |                                 | 4 <sup>7</sup> / <sub>8</sub> | 4 <sup>1</sup> / <sub>16</sub> | 15.10  |        |       |
| 2 <sup>11</sup> / <sub>16</sub> | ZCS5211                         | 14.10       |                    |                               |                                 |                                 |                               |                                |        |        |       |
| 2 <sup>15</sup> / <sub>16</sub> | ZCS5215                         | 12.10       |                    |                               |                                 |                                 |                               |                                |        |        |       |
| 70.00                           | ZCS5070MM                       | 6.40        |                    |                               |                                 |                                 |                               |                                |        |        |       |
| 9                               | 75.00                           | ZCS5075MM   | 137.3380           | 79.380                        | 123.83                          | 103.20                          | 6.00                          |                                |        |        |       |
|                                 | 3 <sup>3</sup> / <sub>16</sub>  | ZCS5303     | 6.1940             | 3.470                         | 5 <sup>5</sup> / <sub>16</sub>  | 4 <sup>29</sup> / <sub>32</sub> | 19.80                         |                                |        |        |       |
|                                 | 3 <sup>7</sup> / <sub>16</sub>  | ZCS5307     |                    |                               |                                 |                                 | 17.90                         |                                |        |        |       |
|                                 | 80.00                           | ZCS5080MM   |                    |                               |                                 |                                 | 8.90                          |                                |        |        |       |
|                                 | 85.00                           | ZCS5085MM   |                    |                               |                                 |                                 | 8.50                          |                                |        |        |       |
| 90.00                           | ZCS5090MM                       | 8.10        |                    |                               |                                 |                                 |                               |                                |        |        |       |
| 10                              | 3 <sup>11</sup> / <sub>16</sub> | ZCS5311     | 7.3750             | 4                             | 6 <sup>1</sup> / <sub>8</sub>   | 5 <sup>5</sup> / <sub>8</sub>   | 33.60                         |                                |        |        |       |
|                                 | 3 <sup>15</sup> / <sub>16</sub> | ZCS5315     |                    |                               |                                 |                                 | 32.60                         |                                |        |        |       |
|                                 | 4                               | ZCS5400     |                    |                               |                                 |                                 | 31.60                         |                                |        |        |       |
|                                 | 100.00                          | ZCS5100MM   |                    |                               |                                 |                                 | 101.600                       | 155.58                         | 142.90 | 14.80  |       |
| 11                              | 4 <sup>3</sup> / <sub>16</sub>  | ZCS5403Y    | 7.9669             | 4 <sup>1</sup> / <sub>4</sub> | 6 <sup>1</sup> / <sub>4</sub>   | 6 <sup>3</sup> / <sub>16</sub>  | 44.00                         |                                |        |        |       |
|                                 | 4 <sup>7</sup> / <sub>16</sub>  | ZCS5407Y    |                    |                               |                                 |                                 | 40.00                         |                                |        |        |       |
|                                 | 4 <sup>1</sup> / <sub>2</sub>   | ZCS5408Y    |                    |                               |                                 |                                 | 39.50                         |                                |        |        |       |
|                                 | 110.00                          | ZCS5110MM   |                    |                               |                                 |                                 | 20.00                         |                                |        |        |       |
|                                 | 115.00                          | ZCS5115MM   |                    |                               |                                 |                                 | 202.3597                      | 107.950                        | 158.75 | 157.16 | 18.00 |
| 12                              | 4 <sup>15</sup> / <sub>16</sub> | ZCS5415     | 9.3425             | 5.560                         | 7 <sup>7</sup> / <sub>8</sub>   | 7 <sup>1</sup> / <sub>16</sub>  | 54.00                         |                                |        |        |       |
|                                 | 5                               | ZCS5500     |                    |                               |                                 |                                 | 53.50                         |                                |        |        |       |
|                                 | 125.00                          | ZCS5125MM   |                    |                               |                                 |                                 | 237.2999                      | 141.220                        | 200.03 | 179.39 | 24.50 |
|                                 | 130.00                          | ZCS5130MM   |                    |                               |                                 |                                 | -                             |                                |        |        | 24.25 |

## Additional Notes

- Please call 1-866-REXNORD for availability
- Metric bore sizes available, see Rex Interchangeability guide
- Bore size = nominal shaft size +.001 in/-.000 in (+0.03 mm/-0.00 mm)
- O.D. tolerance, +.000 in/-.002 in (+0.00 mm/-0.05 mm)
- Locking plug thread size, 5/8"-18 UNF
- Locking plug & grease fitting supplied with bearing

- Recommended engagement of locking plug into cartridge slot is .125" +/- .015"
- Seals - to specify K or M seal, replace "Z" in part number with "K" or "M"
- Auxiliary end caps - not available
- For the Selection Guide, Load Ratings and Speed Limits, see the Rex Spherical Roller Bearings Engineering section
- Note: Dimensions subject to change. Certified dimensions of ordered material furnished on request.

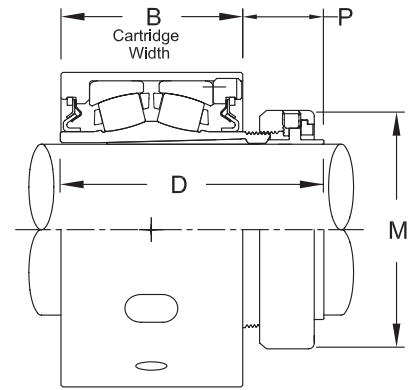
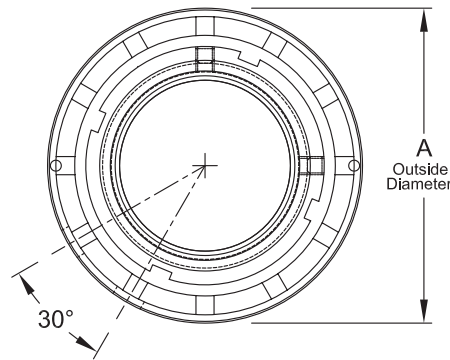
## ZCS6000



Photo Shows a Spherical Roller Bearing Cartridge Unit with Steel Housing

### Product Features

- Spyglass™ Optical Strain Sensor (OSS) Technology
- Positive locking system
- Tapered adapter sleeve
- Steel housing
- Misalignment capabilities - total of 4°
- Broad range of sealing options
- Factory set clearance & lubrication
- Precision ground & superfinished raceways
- Field interchangeable seals
- See Features & Benefits for additional info.



### Bearing Dimensions

| Size Code | Shaft Diameter | Part Number | A Outside Diameter | B Cartridge Length | D       | M       | P       | Approx. Weight |
|-----------|----------------|-------------|--------------------|--------------------|---------|---------|---------|----------------|
| 4         | 1 7/16         | ZCS6107     | 3.1240             | 2.190              | 3 21/64 | 2 25/64 | 1 9/64  | 2.90           |
| 5         | 1 11/16        | ZCS6111     | 3.6360             | 2.440              | 3 47/64 | 2 41/64 | 1 9/32  | 4.50           |
| 6         | 1 15/16        | ZCS6115     | 3.8330             | 2.440              | 3 41/64 | 2 55/64 | 1 1/8   | 5.30           |
|           | 45.00          | ZCS6045MM   | 97.3600            | 61.970             | 92.47   | 72.63   | 28.58   | 2.55           |
| 7         | 2 3/16         | ZCS6203     | 4.2770             | 2.560              | 3 11/16 | 3 15/64 | 1 5/32  | 8.10           |
|           | 55.00          | ZCS6055MM   | 107.3600           | 65.020             | 93.66   | 82.15   | 29.37   | 3.40           |
| 8         | 2 3/8          | ZCS6206     | 4.6210             | 2 5/8              | 4 1/16  | 3 19/32 | 1 27/64 | 9.10           |
|           | 2 7/16         | ZCS6207     |                    |                    |         |         |         | 8.70           |
|           | 60.00          | ZCS6060MM   | 117.3700           | 66.680             | 103.19  | 91.28   | 36.12   | 4.08           |
| 9         | 2 11/16        | ZCS6211     | 5.4070             | 3 1/8              | 4 17/32 | 4 3/32  | 1 25/64 | 15.10          |
|           | 2 3/4          | ZCS6212     |                    |                    |         |         |         | 14.10          |
|           | 2 15/16        | ZCS6215     |                    |                    |         |         |         | 12.10          |
|           | 70.00          | ZCS6070MM   |                    |                    |         |         |         | 137.3380       |
|           | 75.00          | ZCS6075MM   |                    |                    |         |         |         | 6.00           |
| 10        | 3 3/16         | ZCS6303     | 6.1940             | 3.470              | 5 1/32  | 4 61/64 | 1 19/32 | 19.80          |
|           | 3 7/16         | ZCS6307     |                    |                    |         |         |         | 17.90          |
|           | 80.00          | ZCS6080MM   | 157.3300           | 88.140             | 127.79  | 125.81  | 40.48   | 8.90           |
|           | 85.00          | ZCS6085MM   |                    |                    |         |         |         | 8.50           |
| 11        | 3 11/16        | ZCS6311     | 7.3750             | 4                  | 5 25/32 | 5 43/64 | 1 47/64 | 33.60          |
|           | 3 15/16        | ZCS6315     |                    |                    |         |         |         | 32.60          |
|           | 100.00         | ZCS6100MM   | 187.3200           | 101.600            | 146.84  | 144.07  | 44.05   | 14.80          |
| 12        | 4 3/16         | ZCS6403Y    | 7.9669             | 4 1/4              | 6 1/4   | 6 1/16  | 1 7/8   | 40.00          |
|           | 4 7/16         | ZCS6407Y    |                    |                    |         |         |         | 39.50          |
|           | 110.00         | ZCS6110MM   | 202.3597           | 107.950            | 158.75  | 153.99  | 47.63   | 20.00          |
| 13        | 4 15/16        | ZCS6415     | 9.3425             | 5.560              | 7 15/16 | 6 61/64 | 2 1/4   | 54.00          |
|           | 125.00         | ZCS6125MM   | 237.2999           | 141.220            | 201.61  | 176.61  | 57.15   | 24.50          |

### Additional Notes

- Please call 1-866-REXNORD for availability
- Bore size = nominal shaft size +.001 in/- .000 in (+0.03 mm/-0.00 mm)
- O.D. tolerance, +.000 in/- .002 in (+0.00 mm/-0.05 mm)
- Locking plug thread size, 5/8"-18 UNF
- Locking plug & grease fitting supplied with bearing
- Recommended engagement of locking plug into cartridge slot is .125" +/- .015"
- Seals - to specify K or M seal, replace "Z" in part number with "K" or "M"

- Auxiliary end caps - not available
- For the Selection Guide, Load Ratings and Speed Limits, see the Rex Spherical Roller Bearings Engineering section
- Note: Dimensions subject to change. Certified dimensions of ordered material furnished on request.

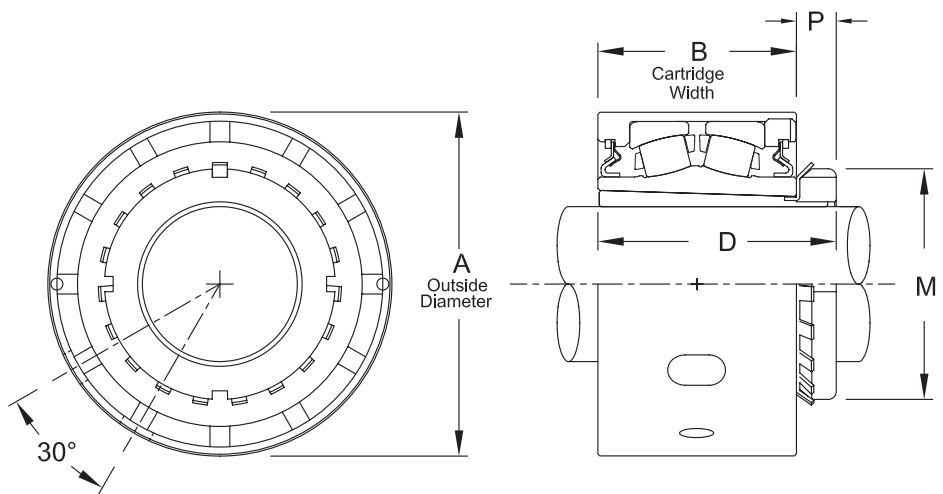
# ZCS9000



Photo Shows a Spherical Roller Bearing Cartridge Unit with Steel Housing

## Product Features

- Steel housing
- Misalignment capabilities - total of 4°
- Broad range of sealing options
- Factory set clearance & lubrication
- Precision ground & superfinished raceways
- Enhanced life mounting style
- Field interchangeable seals
- See Features & Benefits for additional info.



## Bearing Dimensions

| Size Code | Shaft Diameter | Part Number | A Outside Diameter | B Cartridge Length | D       | M       | Approx. Weight |
|-----------|----------------|-------------|--------------------|--------------------|---------|---------|----------------|
| 7         | 1 15/16        | ZCS9115     | 4.2270             | 2.560              | 3 5/32  | 2 31/32 | 6.60           |
|           | 2              | ZCS9200     |                    |                    |         |         | 6.50           |
|           | 45.00          | ZCS9045MM   | 107.3600           | 65.020             | 80.17   | 75.40   | 2.90           |
|           | 50.00          | ZCS9050MM   |                    |                    |         |         | 3.10           |
| 8         | 2 3/16         | ZCS9203     | 4.6210             | 2 5/8              | 3 11/32 | 3 3/8   | 7.90           |
|           | 55.00          | ZCS9055MM   | 117.3700           | 66.680             | 84.93   | 85.73   | 3.60           |
| 9         | 2 7/16         | ZCS9207     | 5.4070             | 3 1/8              | 3 3/4   | 3 5/8   | 11.60          |
|           | 2 1/2          | ZCS9208     |                    |                    |         |         | 11.20          |
| 10        | 2 11/16        | ZCS9211     |                    |                    |         |         | 19.10          |
|           | 2 15/16        | ZCS9215     | 6.1940             | 3.470              | 4 1/4   | 4 13/32 | 17.90          |
|           | 3              | ZCS9300     |                    |                    |         |         | 17.20          |
|           | 75.00          | ZCS9075MM   | 157.3300           | 88.140             | 107.95  | 111.92  | 7.80           |
| 11        | 3 3/16         | ZCS9303     | 7.3750             | 4                  | 5       | 5 3/16  | 34.30          |
|           | 3 7/16         | ZCS9307     |                    |                    |         |         | 32.30          |
|           | 80.00          | ZCS9080MM   | 187.3200           | 101.600            | 127.00  | 131.76  | 15.60          |
| 12        | 3 11/16        | ZCS9311Y    |                    |                    |         |         | 44.00          |
|           | 3 15/16        | ZCS9315Y    | 7.9669             | 4 1/4              | 5 17/32 | 5 23/32 | 40.00          |
|           | 4              | ZCS9400Y    |                    |                    |         |         | 39.50          |
|           | 100.00         | ZCS9100MM   | 7.9669             | 4 1/4              | 140.49  | 145.26  | 20.00          |
| 13        | 4 3/16         | ZCS9403     | 9.3425             | 5.560              | 6 3/4   | 6 1/8   | 54.00          |
|           | 4 7/16         | ZCS9407     |                    |                    |         |         | 53.50          |

## Additional Notes

- Please call 1-866-REXNORD for availability
- Bore size = nominal shaft size +.001 in/-.000 in (+0.03 mm/-0.00 mm)
- O.D. tolerance, +.000 in/-.002 in (+0.00 mm/-0.05 mm)
- Locking plug thread size, 5/8"-18 UNF
- Locking plug & grease fitting supplied with bearing
- Recommended engagement of locking plug into cartridge slot is .125" +/- .015"
- Seals - to specify K or M seal, replace "Z" in part number with "K" or "M"

- Auxiliary end caps - not available
- For the Selection Guide, Load Ratings and Speed Limits, see the Rex Spherical Roller Bearings Engineering section
- Note: Dimensions subject to change. Certified dimensions of ordered material furnished on request.

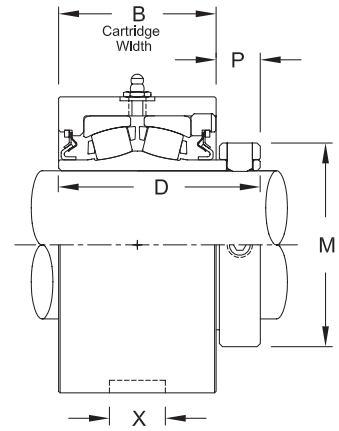
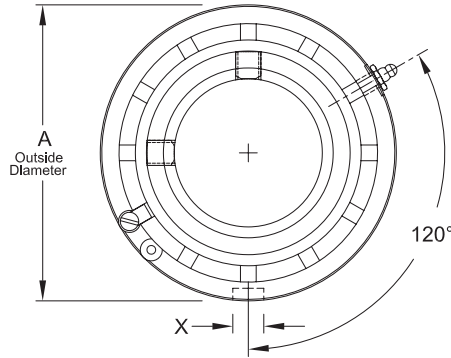
# ZMC2000



Photo Shows a Spherical Roller Bearing Cartridge Unit with Cast Iron Housing

### Product Features

- Corrosion-resistant powder coating
  - Cast iron housing
  - Misalignment capabilities - total of 4°
  - Broad range of sealing options
  - Factory set clearance & lubrication
  - Precision ground & superfinished raceways
  - Hardened spring locking collar
  - Field interchangeable seals
- See Features & Benefits for additional info.



### Bearing Dimensions

| Size Code | Shaft Diameter | Part Number | A Outside Diameter | B Cartridge Length | D       | M       | X Depth | X Length | X Width | Approx. Weight |
|-----------|----------------|-------------|--------------------|--------------------|---------|---------|---------|----------|---------|----------------|
| 2         | 3/4            | ZMC2012     | 3.0000             | 2                  | 2 9/16  | 1 3/4   | -       | -        | -       | 3.10           |
|           | 15/16          | ZMC2015     |                    |                    |         |         |         |          |         | 2.90           |
|           | 1              | ZMC2100     |                    |                    |         |         |         |          |         | 1.30           |
| 3         | 25.00          | ZMC2025MM   | 76.2000            | 50.800             | 65.09   | 44.45   | -       | -        | -       | 1.30           |
|           | 1 1/8          | ZMC2102     | 3.2190             | 2 1/8              | 2 11/16 | 1 31/32 | -       | -        | -       | 3.50           |
|           | 1 3/16         | ZMC2103     |                    |                    |         |         |         |          |         | 3.40           |
|           | 1 1/4          | ZMC2104     |                    |                    |         |         |         |          |         | 3.30           |
| 30.00     | ZMC2030MM      | 81.7600     | 53.980             | 68.26              | 50.00   | -       | -       | -        | 1.60    |                |
| 4         | 1 7/16         | ZMC2107     | 3.4370             | 2 3/16             | 2 7/8   | 2 5/16  | 3/16    | 29/32    | 0.530   | 3.90           |
|           | 1 1/2          | ZMC2108     |                    |                    |         |         |         |          |         | 3.80           |
|           | 35.00          | ZMC2035MM   |                    |                    |         |         |         |          |         | 87.3000        |
| 5         | 1 11/16        | ZMC2111     | 3.9370             | 2 7/16             | 3 1/8   | 2 19/32 | 3/16    | 29/32    | 0.530   | 5.60           |
|           | 1 3/4          | ZMC2112     |                    |                    |         |         |         |          |         | 5.40           |
|           | 40.00          | ZMC2040MM   |                    |                    |         |         |         |          |         | 100.0000       |
|           | 45.00          | ZMC2045MM   | 100.0000           | 61.910             | 79.38   | 65.88   | 4.76    | 23.02    | 13.460  | 2.30           |
| 6         | 1 15/16        | ZMC2115     | 4.1250             | 2 7/16             | 3 1/8   | 2 7/8   | 3/16    | 29/32    | 0.530   | 5.80           |
|           | 2              | ZMC2200     |                    |                    |         |         |         |          |         | 5.60           |
|           | 50.00          | ZMC2050MM   |                    |                    |         |         |         |          |         | 104.7800       |
| 7         | 2 3/16         | ZMC2203     | 4.5310             | 2 9/16             | 3 5/16  | 3 1/4   | 3/16    | 29/32    | 0.530   | 7.50           |
|           | 2 1/4          | ZMC2204     |                    |                    |         |         |         |          |         | 7.30           |
|           | 55.00          | ZMC2055MM   |                    |                    |         |         |         |          |         | 115.0880       |
| 8         | 2 3/8          | ZMC2206     | 5.0000             | 2 5/8              | 3 1/2   | 3 9/16  | 3/16    | 29/32    | 0.530   | 9.50           |
|           | 2 7/16         | ZMC2207     |                    |                    |         |         |         |          |         | 9.40           |
|           | 2 1/2          | ZMC2208     |                    |                    |         |         |         |          |         | 9.20           |
|           | 60.00          | ZMC2060MM   | 127.0000           | 66.680             | 88.90   | 90.50   | 4.76    | 23.02    | 13.460  | 4.80           |
|           | 65.00          | ZMC2065MM   | 127.0000           | 66.680             | 88.90   | 90.50   | 4.76    | 23.02    | 13.460  | 4.40           |
| 9         | 2 11/16        | ZMC2211     | 5.8750             | 3 1/8              | 4       | 4 1/16  | 1/4     | 1 1/32   | 0.590   | 15.90          |
|           | 2 3/4          | ZMC2212     |                    |                    |         |         |         |          |         | 15.50          |
|           | 2 15/16        | ZMC2215     |                    |                    |         |         |         |          |         | 14.40          |
|           | 3              | ZMC2300     |                    |                    |         |         |         |          |         | 14.10          |
|           | 70.00          | ZMC2070MM   |                    |                    |         |         |         |          |         | 149.2250       |
| 75.00     | ZMC2075MM      | 149.2250    | 79.380             | 101.60             | 103.20  | 6.35    | 26.19   | 14.990   | 7.80    |                |
| 10        | 3 3/16         | ZMC2303     | 6.7500             | 3 7/16             | 4 3/8   | 4 29/32 | 9/32    | 1 1/16   | 0.590   | 22.50          |
|           | 3 7/16         | ZMC2307     |                    |                    |         |         |         |          |         | 20.50          |

Continued...



Continued...

**Bearing Dimensions**

| Size Code | Shaft Diameter | Part Number | A Outside Diameter | B Cartridge Length | D      | M       | X Depth | X Length | X Width | Approx. Weight |
|-----------|----------------|-------------|--------------------|--------------------|--------|---------|---------|----------|---------|----------------|
| 10        | 3 1/2          | ZMC2308     | 6.7500             | 3 7/16             | 4 3/8  | 4 29/32 | 9/32    | 1 1/16   | 0.590   | 20.00          |
|           | 80.00          | ZMC2080MM   | 171.4500           | 87.310             | 111.13 | 124.62  | 6.35    | 26.19    | 14.990  | 11.20          |
|           | 85.00          | ZMC2085MM   |                    |                    |        |         |         |          |         | 11.00          |
|           | 90.00          | ZMC2090MM   |                    |                    |        |         |         |          |         | 10.80          |
| 11        | 3 11/16        | ZMC2311     | 8.1250             | 4 1/8              | 5 1/16 | 5 5/8   | 5/16    | 1 9/32   | 3/4     | 38.50          |
|           | 3 15/16        | ZMC2315     |                    |                    |        |         |         |          |         | 36.50          |
|           | 4              | ZMC2400     |                    |                    |        |         |         |          |         | 35.80          |
|           | 100.00         | ZMC2100MM   | 206.3750           | 104.780            | 128.59 | 142.90  | 7.94    | 32.54    | 19.050  | 16.60          |

**Additional Notes**

Please call 1-866-REXNORD for availability  
 Metric bore sizes available, see Rex Interchangeability guide  
 Lubrication fitting tap size, 1/8 PT  
 Bore size = nominal shaft size +.001 in/-.000 in (**+0.03 mm/-0.00 mm**)  
 O.D. tolerance, +.000 in/-.002 in (**+0.00 mm/-0.05 mm**)  
 Seals - to specify K or M seal, replace "Z" in part number with "K" or "M"  
 Auxiliary end caps - not available

For the Selection Guide, Load Ratings and Speed Limits, see the Rex Spherical Roller Bearings Engineering section  
 Note: Dimensions subject to change. Certified dimensions of ordered material furnished on request.

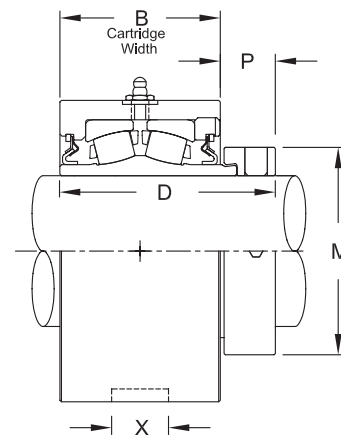
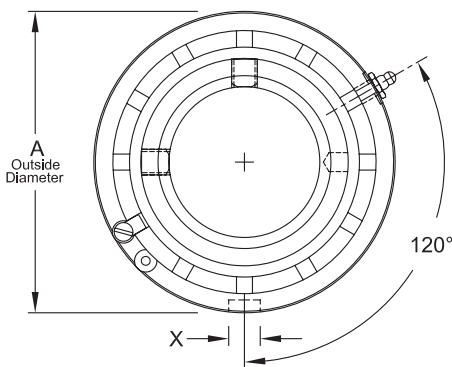
# ZMC3000



Photo Shows a Spherical Roller Bearing Cartridge Unit with Cast Iron Housing

### Product Features

- Corrosion-resistant powder coating
  - Cast iron housing
  - Misalignment capabilities - total of 4°
  - Broad range of sealing options
  - Factory set clearance & lubrication
  - Precision ground & superfinished raceways
  - Eccentric locking collar
  - Field interchangeable seals
- See Features & Benefits for additional info.



### Bearing Dimensions

| Size Code | Shaft Diameter | Part Number | A Outside Diameter | B Cartridge Length | D       | M       | X Depth | X Length | X Width | Approx. Weight |
|-----------|----------------|-------------|--------------------|--------------------|---------|---------|---------|----------|---------|----------------|
| 4         | 1 7/16         | ZMC3107     | 3.4370             | 2 3/16             | 2 59/64 | 2 5/16  | 3/16    | 29/32    | 0.531   | 4.10           |
| 5         | 1 11/16        | ZMC3111     | 3.9370             | 2 7/16             | 3 3/16  | 2 5/8   | 3/16    | 29/32    | 0.531   | 5.80           |
| 6         | 1 15/16        | ZMC3115     | 4.1250             | 2 7/16             | 3 9/32  | 2 15/16 | 3/16    | 29/32    | 0.531   | 6.00           |
| 7         | 2 3/16         | ZMC3203     | 4.5310             | 2 9/16             | 3 1/2   | 3 1/4   | 3/16    | 29/32    | 0.531   | 7.80           |
| 8         | 2 7/16         | ZMC3207     | 5.0000             | 2 5/8              | 3 21/32 | 3 9/16  | 3/16    | 29/32    | 0.531   | 9.60           |
|           | 2 1/2          | ZMC3208     |                    |                    |         |         |         |          |         | 9.50           |
| 9         | 2 11/16        | ZMC3211     | 5.8750             | 3 1/8              | 4 13/64 | 4 1/16  | 1/4     | 1 1/32   | 0.594   | 16.10          |
|           | 2 15/16        | ZMC3215     |                    |                    |         |         |         |          |         | 15.10          |
| 10        | 3 7/16         | ZMC3307     | 6.7500             | 3 7/16             | 4 37/64 | 4 15/16 | 9/32    | 1 1/16   | 0.594   | 21.10          |
|           | 3 1/2          | ZMC3308     |                    |                    |         |         |         |          |         | 20.20          |
| 11        | 3 15/16        | ZMC3315     | 8.1250             | 4 1/8              | 5 3/16  | 5 5/8   | 5/16    | 1 9/32   | 0.781   | 36.50          |

### Additional Notes

- Please call 1-866-REXNORD for availability
- Lubrication fitting tap size, 1/8 PT
- Bore size = nominal shaft size +.001 in/-.000 in (+0.03 mm/-0.00 mm)
- O.D. tolerance, +.000 in/-.002 in (+0.00 mm/-0.05 mm)
- Seals - to specify K or M seal, replace "Z" in part number with "K" or "M"
- Auxiliary end caps - not available

For the Selection Guide, Load Ratings and Speed Limits, see the Rex Spherical Roller Bearings Engineering section  
 Note: Dimensions subject to change. Certified dimensions of ordered material furnished on request.

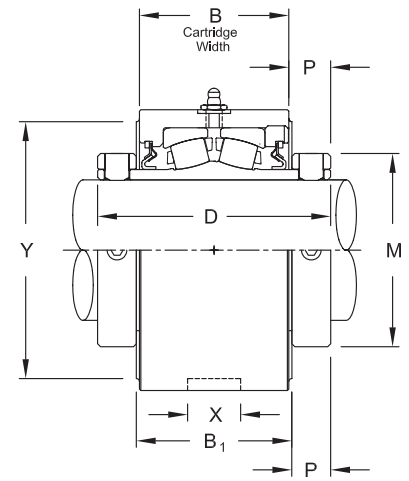
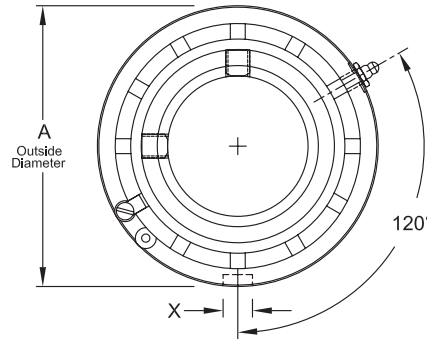
# ZMC5000



Photo Shows a Spherical Roller Bearing Cartridge Unit with Cast Iron Housing

## Product Features

- Corrosion-resistant powder coating
- Cast iron housing
- Misalignment capabilities - total of 4°
- Broad range of sealing options
- Factory set clearance & lubrication
- Precision ground & superfinished raceways
- Two hardened spring locking collars
- Field interchangeable seals
- See Features & Benefits for additional info.



## Bearing Dimensions

| Size Code | Shaft Diameter | Part Number | A Outside Diameter | B Cartridge Length | B1 | D       | X Depth | X Length | X Width | Approx. Weight |         |   |        |      |       |        |       |
|-----------|----------------|-------------|--------------------|--------------------|----|---------|---------|----------|---------|----------------|---------|---|--------|------|-------|--------|-------|
| 4         | 1 7/16         | ZMC5107     | 3.4370             | 2 3/16             | -  | 3 9/16  | 3/16    | 29/32    | 0.530   | 4.30           |         |   |        |      |       |        |       |
|           | 35.00          | ZMC5035MM   | 3.4370             | 2 3/16             | -  | 90.49   | 4.76    | 23.02    | 13.460  | 2.00           |         |   |        |      |       |        |       |
| 5         | 1 1/2          | ZMC5108     | 3.9370             | 2 7/16             | -  | 3 13/16 | 3/16    | 29/32    | 0.530   | 6.50           |         |   |        |      |       |        |       |
|           | 1 11/16        | ZMC5111     |                    |                    |    |         |         |          |         | 5.90           |         |   |        |      |       |        |       |
|           | 40.00          | ZMC5040MM   | 100.0000           | 61.910             | -  | 96.84   | 4.76    | 23.02    | 13.460  | 2.90           |         |   |        |      |       |        |       |
|           | 45.00          | ZMC5045MM   | 100.0000           | 61.910             | -  | 96.84   | 4.76    | 23.02    | 13.460  | 2.70           |         |   |        |      |       |        |       |
| 6         | 1 15/16        | ZMC5115     | 4.1250             | 2 7/16             | -  | 3 13/16 | 3/16    | 29/32    | 0.530   | 6.50           |         |   |        |      |       |        |       |
|           | 50.00          | ZMC5050MM   | 104.7800           | 61.910             | -  | 96.84   | 4.76    | 23.02    | 13.460  | 2.90           |         |   |        |      |       |        |       |
| 7         | 2              | ZMC5200     | 4.5310             | 2 9/16             | -  | 4 1/8   | 3/16    | 29/32    | 0.530   | 9.50           |         |   |        |      |       |        |       |
|           | 2 3/16         | ZMC5203     |                    |                    |    |         |         |          |         | 8.80           |         |   |        |      |       |        |       |
|           | 55.00          | ZMC5055MM   |                    |                    |    |         |         |          |         | 115.0880       | 65.090  | - | 104.78 | 4.76 | 23.02 | 13.460 | 4.00  |
| 8         | 2 7/16         | ZMC5207     | 5.0000             | 2 5/8              | -  | 4 3/8   | 3/16    | 29/32    | 0.530   | 10.60          |         |   |        |      |       |        |       |
|           | 60.00          | ZMC5060MM   | 127.0000           | 66.680             | -  | 111.13  | 4.76    | 23.02    | 13.460  | 5.00           |         |   |        |      |       |        |       |
|           | 65.00          | ZMC5065MM   | 127.0000           | 66.680             | -  | 111.13  | 4.76    | 23.02    | 13.460  | 4.80           |         |   |        |      |       |        |       |
| 9         | 2 1/2          | ZMC5208     | 5.8750             | 3 1/8              | -  | 4 7/8   | 1/4     | 1 1/32   | 0.590   | 18.70          |         |   |        |      |       |        |       |
|           | 2 11/16        | ZMC5211     |                    |                    |    |         |         |          |         | 17.70          |         |   |        |      |       |        |       |
|           | 2 15/16        | ZMC5215     |                    |                    |    |         |         |          |         | 15.70          |         |   |        |      |       |        |       |
|           | 70.00          | ZMC5070MM   |                    |                    |    |         |         |          |         | 149.2250       | 79.380  | - | 123.83 | 6.35 | 26.19 | 14.990 | 8.00  |
|           | 75.00          | ZMC5075MM   |                    |                    |    |         |         |          |         | 149.2250       | 79.380  | - | 123.83 | 6.35 | 26.19 | 14.990 | 7.60  |
| 10        | 3 3/16         | ZMC5303     | 6.7500             | 3 7/16             | -  | 5 5/16  | 9/32    | 1 1/16   | 0.590   | 24.70          |         |   |        |      |       |        |       |
|           | 3 7/16         | ZMC5307     |                    |                    |    |         |         |          |         | 22.80          |         |   |        |      |       |        |       |
|           | 80.00          | ZMC5080MM   |                    |                    |    |         |         |          |         | 171.4500       | 87.310  | - | 134.94 | 6.35 | 26.19 | 14.990 | 11.20 |
|           | 85.00          | ZMC5085MM   |                    |                    |    |         |         |          |         | 171.4500       | 87.310  | - | 134.94 | 6.35 | 26.19 | 14.990 | 10.80 |
|           | 90.00          | ZMC5090MM   |                    |                    |    |         |         |          |         | 171.4500       | 87.310  | - | 134.94 | 6.35 | 26.19 | 14.990 | 10.40 |
| 11        | 3 11/16        | ZMC5311     | 8.1250             | 4 1/8              | -  | 6 1/8   | 5/16    | 1 9/32   | 3/4     | 44.00          |         |   |        |      |       |        |       |
|           | 3 15/16        | ZMC5315     |                    |                    |    |         |         |          |         | 41.50          |         |   |        |      |       |        |       |
|           | 4              | ZMC5400     |                    |                    |    |         |         |          |         | 41.00          |         |   |        |      |       |        |       |
|           | 100.00         | ZMC5100MM   |                    |                    |    |         |         |          |         | 206.3750       | 104.780 | - | 155.58 | 7.94 | 32.54 | 19.050 | 20.00 |
| 12        | 4 3/16         | ZMC5403Y    | 8.7500             | 4 1/4              | -  | 6 1/4   | 5/16    | 1 1/2    | 3/4     | 50.00          |         |   |        |      |       |        |       |
|           | 4 7/16         | ZMC5407Y    |                    |                    |    |         |         |          |         | 47.00          |         |   |        |      |       |        |       |
|           | 4 1/2          | ZMC5408Y    |                    |                    |    |         |         |          |         | 46.00          |         |   |        |      |       |        |       |
|           | 110.00         | ZMC5110MM   |                    |                    |    |         |         |          |         | 222.2500       | 107.950 | - | 158.75 | 7.94 | 32.54 | 19.050 | 22.70 |
|           | 115.00         | ZMC5115MM   |                    |                    |    |         |         |          |         | 222.2500       | 107.950 | - | 158.75 | 7.94 | 32.54 | 19.050 | 22.00 |
| 13        | 4 15/16        | ZMC5415     | 10.4370            | 5 9/16             | 6  | 7 7/8   | 5/16    | 1 1/2    | 3/4     | 95.00          |         |   |        |      |       |        |       |

Continued...

Continued...

## Bearing Dimensions

| Size Code | Shaft Diameter                  | Part Number | A Outside Diameter | B Cartridge Length             | B1                            | D                             | X Depth                      | X Length | X Width                     | Approx. Weight |
|-----------|---------------------------------|-------------|--------------------|--------------------------------|-------------------------------|-------------------------------|------------------------------|----------|-----------------------------|----------------|
| 13        | 5                               | ZMC5500     | 10.4370            | 5 <sup>9</sup> / <sub>16</sub> | 6                             | 7 <sup>7</sup> / <sub>8</sub> | <sup>9</sup> / <sub>16</sub> | 1 1/2    | <sup>3</sup> / <sub>4</sub> | 92.00          |
|           | 125.00                          | ZMC5125MM   | 265.1000           | 141.290                        | 152.40                        | 200.03                        | 7.94                         | 32.54    | 19.050                      | 43.00          |
|           | 130.00                          | ZMC5130MM   |                    |                                |                               |                               |                              |          |                             | 42.00          |
| 14        | 5 <sup>7</sup> / <sub>16</sub>  | ZMC5507     | 11.5000            | 5 <sup>9</sup> / <sub>16</sub> | 5 <sup>7</sup> / <sub>8</sub> | 8                             | <sup>7</sup> / <sub>32</sub> | 1 1/2    | <sup>3</sup> / <sub>4</sub> | 114.00         |
|           | 140.00                          | ZMC5140MM   | 292.1000           | 141.290                        | 149.23                        | 203.20                        | 7.94                         | 32.54    | 19.050                      | 51.00          |
| 15        | 5 <sup>15</sup> / <sub>16</sub> | ZMC5515     | 12.2500            | 5 <sup>7</sup> / <sub>8</sub>  | 6 <sup>1</sup> / <sub>8</sub> | 8 <sup>1</sup> / <sub>8</sub> | <sup>7</sup> / <sub>32</sub> | 1 1/2    | <sup>3</sup> / <sub>4</sub> | 134.00         |
|           | 6                               | ZMC5600     |                    |                                |                               |                               |                              |          |                             | 133.00         |
|           | 150.00                          | ZMC5150MM   | 311.1500           | 149.230                        | 155.58                        | 206.38                        | 7.94                         | 32.54    | 19.050                      | 61.00          |
|           | 160.00                          | ZMC5160MM   |                    |                                |                               |                               |                              |          |                             | 59.00          |
| 16        | 6 <sup>7</sup> / <sub>16</sub>  | ZMC5607     | 13.5630            | 6 <sup>3</sup> / <sub>16</sub> | 6 1/2                         | 8 <sup>3</sup> / <sub>4</sub> | <sup>7</sup> / <sub>32</sub> | 1 1/2    | <sup>3</sup> / <sub>4</sub> | 180.00         |
|           | 6 <sup>15</sup> / <sub>16</sub> | ZMC5615     |                    |                                |                               |                               |                              |          |                             | 167.00         |
|           | 7                               | ZMC5700     | 344.5000           | 157.160                        | 165.10                        | 222.25                        | 7.94                         | 32.54    | 19.050                      | 166.00         |
|           | 180.00                          | ZMC5180MM   |                    |                                |                               |                               |                              |          |                             | 75.00          |

## Additional Notes

Please call 1-866-REXNORD for availability

Metric bore sizes available, see Rex Interchangeability guide

Lubrication fitting tap size: for size code 4 thru 11, 1/8" PT; for all other size codes, 1/4" PT

Bore size = nominal shaft size +.001 in/-.000 in (+0.03 mm/-0.00 mm)

O.D. tolerance, for size code 4 thru 11 +.000 in/-.002 in (+0.00 mm/-0.05 mm); for all other size codes, +.000 in/-.003 in (+0.00 mm/-0.08 mm)

Seals - to specify K or M seal, replace "Z" in part number with "K" or "M"

"K" seals only available in size codes 4 thru 11

Auxiliary end caps - not available

For the Selection Guide, Load Ratings and Speed Limits, see the Rex Spherical Roller Bearings Engineering section

Note: Dimensions subject to change. Certified dimensions of ordered material furnished on request.

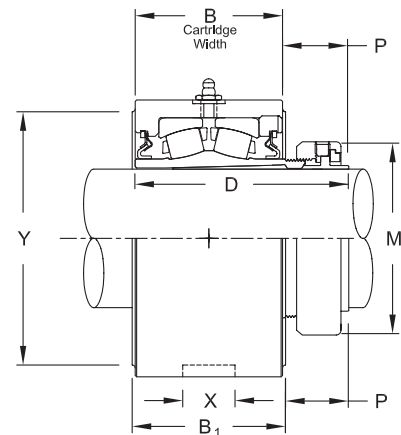
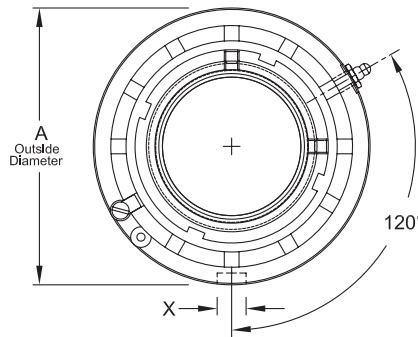
# ZMC6000



Photo Shows a Spherical Roller Bearing Cartridge Unit with Cast Iron Housing

## Product Features

- Spyglass™ Optical Strain Sensor (OSS) Technology
- Positive locking system
- Tapered adapter sleeve
- Corrosion-resistant powder coating
- Cast iron housing
- Misalignment capabilities - total of 4°
- Broad range of sealing options
- Factory set clearance & lubrication
- Precision ground & superfinished raceways
- See Features & Benefits for additional info.



## Bearing Dimensions

| Size Code | Shaft Diameter | Part Number | A Outside Diameter | B Cartridge Length | B1       | D       | M       | P       | X Depth | X Length | X Width | Y       | Approx. Weight |       |
|-----------|----------------|-------------|--------------------|--------------------|----------|---------|---------|---------|---------|----------|---------|---------|----------------|-------|
| 4         | 1 7/16         | ZMC6107     | 3.437              | 2 3/16             | -        | 3 21/64 | 2 25/64 | 1 9/64  | 3/16    | 29/32    | 0.530   | -       | 3.90           |       |
| 5         | 1 11/16        | ZMC6111     | 3.937              | 2 7/16             | -        | 3 47/64 | 2 41/64 | 1 9/32  |         |          |         | -       | 5.60           |       |
| 6         | 1 15/16        | ZMC6115     | 4.1250             | 2 7/16             | -        | 3 41/64 | 2 55/64 | 1 1/8   | 4.76    | 23.02    | 13.460  | -       | 6.50           |       |
|           | 45.00          | ZMC6045MM   | 104.7800           | 61.910             | -        | 92.47   | 72.63   | 28.58   |         |          |         | -       | 2.70           |       |
| 7         | 2 3/16         | ZMC6203     | 4.5310             | 2 9/16             | -        | 3 11/16 | 3 15/64 | 1 5/32  | 3/16    | 29/32    | 0.530   | -       | 9.50           |       |
|           | 55.00          | ZMC6055MM   | 115.0880           | 65.090             | -        | 93.66   | 82.15   | 29.37   |         |          |         | -       | 4.00           |       |
| 8         | 2 3/8          | ZMC6206     | 5.0000             | 2 5/8              | -        | 4 1/16  | 3 19/32 | 1 27/64 | 3/16    | 29/32    | 0.530   | -       | 10.90          |       |
|           | 2 7/16         | ZMC6207     |                    | -                  | 10.60    |         |         |         |         |          |         |         |                |       |
|           | 60.00          | ZMC6060MM   | 127.0000           | 66.680             | -        | 103.19  | 91.28   | 36.12   | 4.76    | 23.02    | 13.460  | -       | 5.00           |       |
| 9         | 2 11/16        | ZMC6211     | 5.8750             | 3 1/8              | -        | 4 17/32 | 4 3/32  | 1 25/64 | 1/4     | 1 1/32   | 0.590   | -       | 18.70          |       |
|           | 2 3/4          | ZMC6212     |                    |                    |          |         |         |         |         |          |         |         | 17.70          |       |
|           | 2 15/16        | ZMC6215     | 70.00              | ZMC6070MM          | 149.2250 | 79.380  | -       | 115.09  | 103.98  | 35.32    | 6.35    | 26.19   | 14.990         | 15.70 |
|           | 75.00          | ZMC6075MM   |                    |                    |          |         |         |         |         |          |         |         |                | 8.00  |
|           | -              | -           |                    |                    |          |         |         |         |         |          |         |         |                | 7.60  |
| 10        | 3 3/16         | ZMC6303     | 6.7500             | 3 7/16             | -        | 5 1/32  | 4 61/64 | 1 19/32 | 9/32    | 1 1/16   | 0.590   | -       | 24.70          |       |
|           | 3 7/16         | ZMC6307     |                    |                    |          |         |         |         |         |          |         |         | 22.80          |       |
|           | 80.00          | ZMC6080MM   | 171.4500           | 87.310             | -        | 127.79  | 125.81  | 40.48   | 6.35    | 26.19    | 14.990  | -       | 11.20          |       |
|           | 85.00          | ZMC6085MM   |                    |                    |          |         |         |         |         |          |         |         | 10.80          |       |
| 11        | 3 11/16        | ZMC6311     | 8.1250             | 4 1/8              | -        | 5 25/32 | 5 43/64 | 1 47/64 | 5/16    | 1 9/32   | 3/4     | -       | 44.00          |       |
|           | 3 15/16        | ZMC6315     |                    |                    |          |         |         |         |         |          |         |         | 41.50          |       |
|           | 100.00         | ZMC6100MM   | 206.3750           | 104.780            | -        | 146.84  | 144.07  | 44.05   | 7.94    | 32.54    | 19.050  | -       | 20.00          |       |
| 12        | 4 3/16         | ZMC6403Y    | 8.7500             | 4 1/4              | -        | 6 1/4   | 6 1/16  | 1 7/8   | 5/16    | 1 1/2    | 3/4     | -       | 50.00          |       |
|           | 4 7/16         | ZMC6407Y    |                    |                    |          |         |         |         |         |          |         |         | 47.00          |       |
|           | 110.00         | ZMC6110MM   | 222.2500           | 107.950            | -        | 158.75  | 153.99  | 47.63   | 7.94    | 32.54    | 19.050  | -       | 22.70          |       |
| 13        | 4 15/16        | ZMC6415     | 10.4370            | 5 9/16             | 6        | 7 15/16 | 6 61/64 | 2 1/4   | 5/16    | 1 1/2    | 3/4     | 7 25/32 | 95.00          |       |
|           | 125.00         | ZMC6125MM   | 265.1000           | 141.290            | 152.40   | 201.61  | 176.61  | 57.15   | 7.94    | 32.54    | 19.050  | 197.640 | 43.00          |       |
| 14        | 5 7/16         | ZMC6507     | 11.5000            | 5 9/16             | 5 7/8    | 8 49/64 | 8 1/64  | 3 3/64  | 7/32    | 1 1/2    | 3/4     | 9 9/16  | 114.00         |       |
| 15        | 5 15/16        | ZMC6515     | 12.2500            | 5 7/8              | 6 1/8    | 9 19/64 | 8 21/32 | 3 7/16  | 7/32    | 1 1/2    | 3/4     | 10 3/8  | 134.00         |       |
| 16        | 6 7/16         | ZMC6607     | 13.5630            | 6 3/16             | 6 1/2    | 10      | 9 3/4   | 3 43/64 | 7/32    | 1 1/2    | 3/4     | 11 3/8  | 180.00         |       |
|           | 6 15/16        | ZMC6615     |                    |                    |          |         |         |         |         |          |         |         | 167.00         |       |

## Additional Notes

- Please call 1-866-REXNORD for availability
- Lubrication fitting tap size: for size code 6 thru 11, 1/8" PT: for all other size codes, 1/4" PT
- Bore size = nominal shaft size +.001 in/-.000 in (+0.03 mm/-0.00 mm)
- O.D. tolerance, for size code 6 thru 11 +.000 in/-.002 in (+0.00 mm/-0.05 mm): for all other size codes, +.000 in/-.003 in (+0.00 mm/-0.08 mm)
- Seals - to specify K or M seal, replace "Z" in part number with "K" or "M"
- "K" seals only available in size codes 6 thru 11

- Auxiliary end caps - not available
- For the Selection Guide, Load Ratings and Speed Limits, see the Rex Spherical Roller Bearings Engineering section
- Note: Dimensions subject to change. Certified dimensions of ordered material furnished on request.

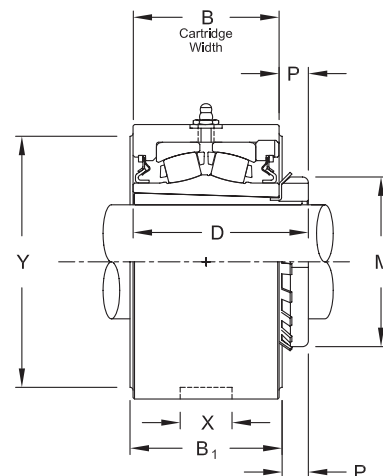
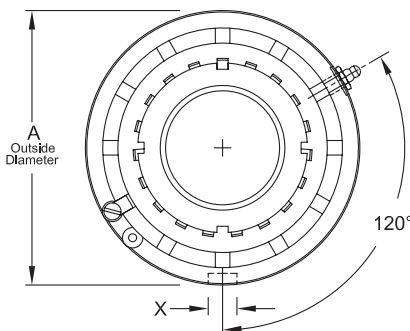
# ZMC9000



Photo Shows a Spherical Roller Bearing Cartridge Unit with Cast Iron Housing

## Product Features

- Corrosion-resistant powder coating
  - Cast iron housing
  - Misalignment capabilities - total of 4°
  - Broad range of sealing options
  - Factory set clearance & lubrication
  - Precision ground & superfinished raceways
  - Enhanced life mounting style
  - Field interchangeable seals
- See Features & Benefits for additional info.



## Bearing Dimensions

| Size Code | Shaft Diameter | Part Number | A Outside Diameter | B Cartridge Length | B1     | D       | M       | X Depth | X Length | X Width | Approx. Weight |
|-----------|----------------|-------------|--------------------|--------------------|--------|---------|---------|---------|----------|---------|----------------|
| 7         | 1 15/16        | ZMC9115     | 4.5310             | 2 9/16             | -      | 3 5/32  | 2 31/32 | 3/16    | 29/32    | 0.530   | 7.60           |
|           | 2              | ZMC9200     |                    |                    |        |         |         |         |          |         | 7.40           |
|           | 45.00          | ZMC9045MM   | 115.0880           | 65.090             | -      | 80.17   | 75.40   | 4.76    | 23.02    | 13.460  | 3.50           |
|           | 50.00          | ZMC9050MM   |                    |                    |        |         |         |         |          |         | 3.40           |
| 8         | 2 3/16         | ZMC9203     | 5.0000             | 2 5/8              | -      | 3 11/32 | 3 3/8   | 3/16    | 29/32    | 0.530   | 9.60           |
|           | 55.00          | ZMC9055MM   | 127.0000           | 66.680             | -      | 84.93   | 85.73   | 4.76    | 23.02    | 13.460  | 4.30           |
| 9         | 2 7/16         | ZMC9207     | 5.8750             | 3 1/8              | -      | 3 3/4   | 3 5/8   | 1/4     | 1 1/32   | 0.590   | 15.60          |
|           | 2 1/2          | ZMC9208     |                    |                    |        |         |         |         |          |         | 15.20          |
| 10        | 2 11/16        | ZMC9211     | 6.7500             | 3 7/16             | -      | 4 1/4   | 4 13/32 | 9/32    | 1 1/16   | 0.590   | 23.80          |
|           | 2 15/16        | ZMC9215     |                    |                    |        |         |         |         |          |         | 22.50          |
|           | 3              | ZMC9300     | 171.4500           | 87.310             | -      | 107.95  | 111.92  | 6.35    | 26.19    | 14.990  | 22.10          |
|           | 75.00          | ZMC9075MM   |                    |                    |        |         |         |         |          |         | 10.00          |
| 11        | 3 3/16         | ZMC9303     | 8.1250             | 4 1/8              | -      | 5       | 5 3/16  | 5/16    | 1 9/32   | 3/4     | 41.00          |
|           | 3 7/16         | ZMC9307     |                    |                    |        |         |         |         |          |         | 39.40          |
|           | 80.00          | ZMC9080MM   | 206.3750           | 104.780            | -      | 127.00  | 131.76  | 7.94    | 32.54    | 19.050  | 18.60          |
| 12        | 3 11/16        | ZMC9311Y    | 8.7500             | 4 1/4              | -      | 5 17/32 | 5 23/32 | 5/16    | 1 1/2    | 3/4     | 48.50          |
|           | 3 15/16        | ZMC9315Y    |                    |                    |        |         |         |         |          |         | 46.20          |
|           | 4              | ZMC9400Y    | 222.2500           | 107.950            | -      | 140.49  | 145.26  | 7.94    | 32.54    | 19.050  | 45.70          |
|           | 100.00         | ZMC9100MM   |                    |                    |        |         |         |         |          |         | 21.00          |
| 13        | 4 3/16         | ZMC9403     | 10.4370            | 5 9/16             | 6      | 6 3/4   | 6 1/8   | 5/16    | 1 1/2    | 3/4     | 92.00          |
|           | 4 7/16         | ZMC9407     |                    |                    |        |         |         |         |          |         | 90.00          |
| 14        | 4 15/16        | ZMC9415     | 11.5000            | 5 9/16             | 5 7/8  | 7 1/16  | 7 3/32  | 7/32    | 1 1/2    | 3/4     | 115.00         |
|           | 5              | ZMC9500     |                    |                    |        |         |         |         |          |         | 108.00         |
| 15        | 5 7/16         | ZMC9507     | 12.2500            | 5 7/8              | 6 1/8  | 7 5/16  | 8 1/16  | 7/32    | 1 1/2    | 3/4     | 130.00         |
|           | 5 15/16        | ZMC9515     |                    |                    |        |         |         |         |          |         | 175.00         |
|           | 16             | 6           | ZMC9600            | 13.5630            | 6 3/16 | 6 1/2   | 7 3/4   | 9 1/16  | 7/32     | 1 1/2   | 3/4            |
| 6 7/16    |                | ZMC9607     | 170.00             |                    |        |         |         |         |          |         |                |

## Additional Notes

- Please call 1-866-REXNORD for availability
- Lubrication fitting tap size: for size code 7 thru 11, 1/8" PT; for all other size codes, 1/4" PT
- Bore size = nominal shaft size +.001 in/-.000 in (+0.03 mm/-0.00 mm)
- O.D. tolerance, for size code 7 thru 11 +.000 in/-.002 in (+0.00 mm/-0.05 mm); for all other size codes, +.000 in/-.003 in (+0.00 mm/-0.08 mm)
- Seals - to specify K or M seal, replace "Z" in part number with "K" or "M"
- "K" seals only available in size codes 7 thru 11

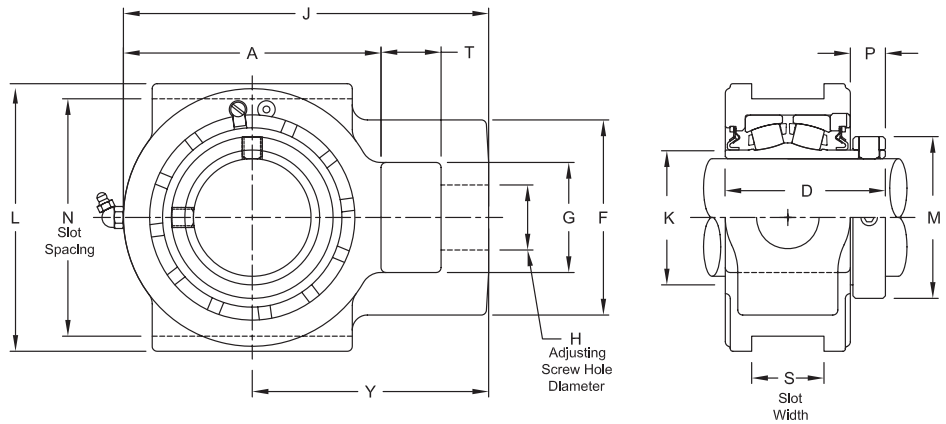
- Auxiliary end caps - not available
- For the Selection Guide, Load Ratings and Speed Limits, see the Rex Spherical Roller Bearings Engineering section
- Note: Dimensions subject to change. Certified dimensions of ordered material furnished on request.



Photo Shows a Spherical Roller Bearing Take-up Unit

**Product Features**

- Corrosion-resistant powder coating
- Cast iron housing
- Misalignment capabilities - total of 4°
- Broad range of sealing options
- Factory set clearance & lubrication
- Precision ground & superfinished raceways
- Hardened spring locking collar
- Field interchangeable seals
- See Features & Benefits for additional info.



**Bearing Dimensions**

| Size Code | Shaft Diameter | Part Number | H Adjusting Screw Hole Diameter | N Slot Spacing | S Slot Width | A      | D       | F      | G       | J       | K       | L       | M       | P      | T     | Y       | Allowable Working Load | Approx. Weight |
|-----------|----------------|-------------|---------------------------------|----------------|--------------|--------|---------|--------|---------|---------|---------|---------|---------|--------|-------|---------|------------------------|----------------|
| 2         | 3/4            | ZT22012     | 3/4                             | 3              | 17/32        | 3      | 2 9/16  | 2      | 1 1/4   | 4 1/16  | 1 5/16  | 3 5/8   | 1 3/4   | 9/16   | 5/8   | 2 9/16  | 4,400                  | 4.00           |
|           | 15/16          | ZT22015     |                                 |                |              |        |         |        |         |         |         |         |         |        |       |         | 3,900                  | 3.90           |
|           | 1              | ZT22100     |                                 |                |              |        |         |        |         |         |         |         |         |        |       |         | 1,995                  | 1.80           |
|           | 25.00          | ZT22025MM   | 19.05                           | 76.200         | 13.490       | 76.20  | 65.09   | 50.80  | 31.75   | 103.19  | 33.340  | 92.08   | 44.45   | 14.29  | 15.88 | 65.09   | 1,995                  | 1.80           |
| 3         | 1 1/8          | ZT32102     | 7/8                             | 3 1/2          | 17/32        | 3 3/8  | 2 11/16 | 2 5/16 | 1 7/16  | 4 9/16  | 1 17/32 | 4 1/8   | 1 31/32 | 9/16   | 5/8   | 2 7/8   | 5,700                  | 5.50           |
|           | 1 3/16         | ZT32103     |                                 |                |              |        |         |        |         |         |         |         |         |        |       |         | 5,400                  | 5.40           |
|           | 1 1/4          | ZT32104     |                                 |                |              |        |         |        |         |         |         |         |         |        |       |         | 5,300                  | 5.30           |
|           | 30.00          | ZT32030MM   | 22.23                           | 88.900         | 13.490       | 85.73  | 68.26   | 58.74  | 36.51   | 141.29  | 38.890  | 104.78  | 50.00   | 14.29  | 15.88 | 73.03   | 2,585                  | 2.40           |
| 4         | 1 7/16         | ZT42107     | 7/8                             | 3 1/2          | 17/32        | 3 3/4  | 2 7/8   | 2 7/16 | 1 7/16  | 5 1/16  | 1 3/4   | 4 1/8   | 2 5/16  | 1 1/16 | 5/8   | 3 1/4   | 7,600                  | 6.40           |
|           | 1 1/2          | ZT42108     |                                 |                |              |        |         |        |         |         |         |         |         |        |       |         | 6,300                  | 6.30           |
|           | 35.00          | ZT42035MM   |                                 |                |              |        |         |        |         |         |         |         |         |        |       |         | 22.23                  | 88.900         |
| 5         | 1 11/16        | ZT52111     | 1 1/8                           | 4              | 11/16        | 4 1/4  | 3 1/8   | 3 5/16 | 1 3/4   | 5 15/16 | 2 1/32  | 4 3/4   | 1 19/32 | 11/16  | 15/16 | 3 13/16 | 12,300                 | 9.80           |
|           | 1 3/4          | ZT52112     |                                 |                |              |        |         |        |         |         |         |         |         |        |       |         | 9,700                  | 9.70           |
|           | 40.00          | ZT52040MM   |                                 |                |              |        |         |        |         |         |         |         |         |        |       |         | 28.58                  | 101.600        |
|           | 45.00          | ZT52045MM   |                                 |                |              |        |         |        |         |         |         |         |         |        |       |         | 4,400                  | 4.40           |
| 6         | 1 15/16        | ZT62115     | 1 1/8                           | 4              | 11/16        | 4 1/2  | 3 1/8   | 3 5/16 | 1 15/16 | 6 3/16  | 2 5/16  | 4 1/2   | 2 7/8   | 11/16  | 3/4   | 3 15/16 | 12,300                 | 10.10          |
|           | 2              | ZT62200     |                                 |                |              |        |         |        |         |         |         |         |         |        |       |         | 9,900                  | 9.90           |
|           | 50.00          | ZT62050MM   |                                 |                |              |        |         |        |         |         |         |         |         |        |       |         | 28.58                  | 101.600        |
| 7         | 2 3/16         | ZT72203     | 1 3/8                           | 4 1/2          | 13/16        | 5      | 3 5/16  | 3 7/8  | 2 1/4   | 7 1/8   | 2 5/8   | 5 1/4   | 3 1/4   | 13/16  | 1 1/4 | 4 5/8   | 13,500                 | 13.60          |
|           | 2 1/4          | ZT72204     |                                 |                |              |        |         |        |         |         |         |         |         |        |       |         | 13,400                 | 13.40          |
|           | 55.00          | ZT72055MM   |                                 |                |              |        |         |        |         |         |         |         |         |        |       |         | 34.93                  | 114.300        |
| 8         | 2 3/8          | ZT82206     | 1 3/8                           | 5 1/8          | 1 1/16       | 5 1/2  | 3 1/2   | 4 1/4  | 2 1/4   | 7 13/16 | 2 29/32 | 5 7/8   | 3 9/16  | 7/8    | 1 1/4 | 5 1/16  | 20,900                 | 18.30          |
|           | 2 7/16         | ZT82207     |                                 |                |              |        |         |        |         |         |         |         |         |        |       |         | 18,200                 | 18.20          |
|           | 2 1/2          | ZT82208     |                                 |                |              |        |         |        |         |         |         |         |         |        |       |         | 17,900                 | 17.90          |
|           | 60.00          | ZT82060MM   | 34.93                           | 130.180        | 26.990       | 139.70 | 88.90   | 107.95 | 57.15   | 198.44  | 73.810  | 149.23  | 90.50   | 22.23  | 31.75 | 128.59  | 9,480                  | 8.30           |
|           | 65.00          | ZT82065MM   |                                 |                |              |        |         |        |         |         |         |         |         |        |       |         | 8,100                  | 8.10           |
| 9         | 2 11/16        | ZT92211     | 1 5/8                           | 5 15/16        | 1 13/16      | 6 7/16 | 4       | 4 7/8  | 2 3/4   | 9 1/8   | 3 3/8   | 6 11/16 | 4 1/16  | 7/8    | 1 1/2 | 5 15/16 | 26,800                 | 28.80          |
|           | 2 3/4          | ZT92212     |                                 |                |              |        |         |        |         |         |         |         |         |        |       |         | 28,400                 | 28.40          |
|           | 2 15/16        | ZT92215     |                                 |                |              |        |         |        |         |         |         |         |         |        |       |         | 27,600                 | 27.60          |
|           | 3              | ZT92300     |                                 |                |              |        |         |        |         |         |         |         |         |        |       |         | 27,000                 | 27.00          |
|           | 70.00          | ZT92070MM   | 41.28                           | 150.810        | 46.040       | 163.51 | 101.60  | 123.83 | 69.85   | 231.78  | 85.730  | 169.86  | 103.20  | 20.64  | 38.10 | 150.81  | 12,150                 | 12.90          |
|           | 75.00          | ZT92075MM   |                                 |                |              |        |         |        |         |         |         |         |         |        |       |         | 12,500                 | 12.50          |
| 10        | 3 3/16         | ZT102303    | 1 7/8                           | 6 13/16        | 1 13/16      | 7 3/8  | 4 3/8   | 5 3/8  | 2 7/8   | 10      | 3 31/32 | 7 13/16 | 4 29/32 | 15/16  | 1 5/8 | 6 5/16  | 27,300                 | 42.50          |
|           | 3 7/16         | ZT102307    |                                 |                |              |        |         |        |         |         |         |         |         |        |       |         | 40,500                 | 40.50          |

Continued...

Continued...

**Bearing Dimensions**

| Size Code | Shaft Diameter | Part Number | H Adjusting Screw Hole Diameter | N Slot Spacing | S Slot Width | A      | D      | F      | G     | J      | K       | L       | M       | P      | T     | Y       | Allowable Working Load | Approx. Weight |
|-----------|----------------|-------------|---------------------------------|----------------|--------------|--------|--------|--------|-------|--------|---------|---------|---------|--------|-------|---------|------------------------|----------------|
| 10        | 3 1/2          | ZT102308    | 1 7/8                           | 6 13/16        | 1 13/16      | 7 3/8  | 4 3/8  | 5 3/8  | 2 7/8 | 10     | 3 31/32 | 7 13/16 | 4 29/32 | 15/16  | 1 5/8 | 6 5/16  | 27,300                 | 40.00          |
|           | 80.00          | ZT102080MM  | 47.63                           | 173.040        | 46.040       | 187.33 | 111.13 | 136.53 | 73.03 | 254.00 | 100.810 | 198.44  | 124.62  | 23.81  | 41.28 | 160.34  | 12,380                 | 19.30          |
|           | 85.00          | ZT102085MM  |                                 |                |              |        |        |        |       |        |         |         |         |        |       |         | 18.40                  |                |
| 90.00     | ZT102090MM     | 18.10       |                                 |                |              |        |        |        |       |        |         |         |         |        |       |         |                        |                |
| 11        | 3 11/16        | ZT112311    | 2 1/8                           | 8 5/8          | 2 1/16       | 8 7/8  | 5 1/16 | 5 3/8  | 3 3/8 | 12 1/8 | 4 9/16  | 9 7/16  | 5 5/8   | 1 1/32 | 2 1/8 | 7 11/16 | 45,400                 | 71.00          |
|           | 3 15/16        | ZT112315    |                                 |                |              |        |        |        |       |        |         |         |         |        |       |         |                        | 68.00          |
|           | 4              | ZT112400    |                                 |                |              |        |        |        |       |        |         |         |         |        |       |         |                        | 67.00          |
|           | 100.00         | ZT112100MM  |                                 |                |              |        |        |        |       |        |         |         |         |        |       |         |                        | 53.98          |

**Additional Notes**

Please call 1-866-REXNORD for availability  
 Metric bore sizes available, see Rex Interchangeability guide  
 Lubrication fitting tap size, 1/8 PT  
 Bore size = nominal shaft size +.001 in/-.000 in (+0.03 mm/-0.00 mm)  
 Take-up slot spacing & width tolerance, +.005 in/-.015 in (+0.13 mm/-0.38 mm)  
 Seals - to specify K or M seal, replace "Z" in part number with "K" or "M"  
 Auxilliary end caps - available in all size codes except for size codes 2 & 3

Allowable working load is 2/3 yield strength  
 For the Selection Guide, Load Ratings and Speed Limits, see the Rex Spherical Roller Bearings Engineering section  
 Note: Dimensions subject to change. Certified dimensions of ordered material furnished on request.



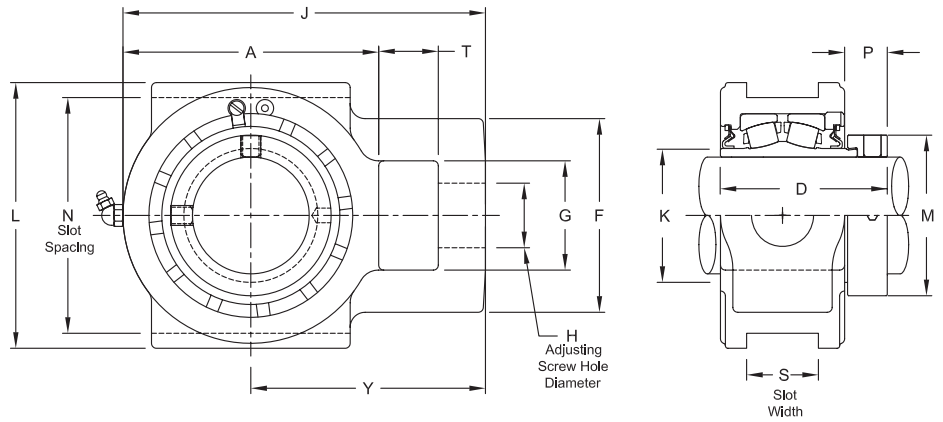
# ZT3000



Photo Shows a Spherical Roller Bearing Take-up Unit

## Product Features

- Corrosion-resistant powder coating
- Cast iron housing
- Misalignment capabilities - total of 4°
- Broad range of sealing options
- Factory set clearance & lubrication
- Precision ground & superfinished raceways
- Hardened eccentric locking collar
- Field interchangeable seals
- See Features & Benefits for additional info.



## Bearing Dimensions

| Size Code | Shaft Diameter | Part Number | H Adjusting Screw Hole Diameter | N Slot Spacing | S Slot Width | A      | D       | F      | G       | J       | K       | L       | M       | P      | T     | Y       | Allowable Working Load (2/3 Yield Strength) | Approx. Weight |
|-----------|----------------|-------------|---------------------------------|----------------|--------------|--------|---------|--------|---------|---------|---------|---------|---------|--------|-------|---------|---|----------------|
| 4         | 1 7/16         | ZT43107     | 7/8                             | 3 1/2          | 17/32        | 3 3/4  | 2 59/64 | 2 7/16 | 1 7/16  | 5 1/16  | 1 3/4   | 4 1/8   | 2 5/16  | 25/32  | 5/8   | 3 1/4   | 7,600                                       | 6.60           |
| 5         | 1 11/16        | ZT53111     | 1 1/8                           | 4              | 11/16        | 4 1/4  | 3 3/16  | 3 5/16 | 1 15/16 | 5 15/16 | 2 1/32  | 4 3/4   | 2 5/8   | 3/4    | 3/4   | 3 13/16 | 12,300                                      | 10.00          |
| 6         | 1 15/16        | ZT63115     | 1 1/8                           | 4              | 11/16        | 4 1/2  | 3 9/32  | 3 5/16 | 1 15/16 | 6 3/16  | 2 5/16  | 4 1/2   | 2 3/4   | 27/32  | 3/4   | 3 15/16 | 12,300                                      | 13.50          |
| 7         | 2 3/16         | ZT73203     | 1 3/8                           | 4 1/2          | 13/16        | 5      | 3 1/2   | 3 7/8  | 2 1/4   | 7 1/8   | 2 5/8   | 5 1/4   | 3 1/4   | 31/32  | 1 1/4 | 4 5/8   | 13,500                                      | 13.90          |
| 8         | 2 7/16         | ZT83207     | 1 3/8                           | 5 1/8          | 1 1/16       | 5 1/2  | 3 21/32 | 4 1/4  | 2 1/4   | 7 13/16 | 2 29/32 | 5 7/8   | 3 9/16  | 1 1/64 | 1 1/4 | 5 1/16  | 20,900                                      | 18.40          |
|           | 2 1/2          | ZT83208     |                                 |                |              |        |         |        |         |         |         |         |         |        |       |         |   | 18.30          |
| 9         | 2 11/16        | ZT93211     | 1 5/8                           | 5 15/16        | 1 13/16      | 6 7/16 | 4 13/64 | 4 7/8  | 2 3/4   | 9 1/8   | 3 3/8   | 6 11/16 | 4 1/16  | 1 1/64 | 1 1/2 | 5 15/16 | 26,800                                      | 29.00          |
|           | 2 15/16        | ZT93215     |                                 |                |              |        |         |        |         |         |         |         |         |        |       |         |   | 28.00          |
| 10        | 3 7/16         | ZT103307    | 1 7/8                           | 6 13/16        | 1 13/16      | 7 3/8  | 4 37/64 | 5 3/8  | 2 7/8   | 10      | 3 31/32 | 7 13/16 | 4 15/16 | 1 9/64 | 1 5/8 | 6 5/16  | 27,300                                      | 41.10          |
|           | 3 1/2          | ZT103308    |                                 |                |              |        |         |        |         |         |         |         |         |        |       |         |   | 40.90          |
| 11        | 3 15/16        | ZT113315    | 2 1/8                           | 8 5/8          | 2 1/16       | 8 7/8  | 5 3/16  | 5 3/8  | 3 3/8   | 12 3/8  | 4 9/16  | 9 7/16  | 5 5/8   | 1 1/16 | 2 1/8 | 7 11/16 | 45,400                                      | 68.00          |

## Additional Notes

- Please call 1-866-REXNORD for availability
- Lubrication fitting tap size, 1/8 PT
- Bore size = nominal shaft size +.001 in/-.000 in (+0.03 mm/-0.00 mm)
- Take-up slot spacing & width tolerance, +.005 in/-.015 in (+0.13 mm/-0.38 mm)
- Seals - to specify K or M seal, replace "Z" in part number with "K" or "M"
- Auxiliary end caps - available in all size codes
- Allowable working load is 2/3 yield strength

For the Selection Guide, Load Ratings and Speed Limits, see the Rex Spherical Roller Bearings Engineering section  
 Note: Dimensions subject to change. Certified dimensions of ordered material furnished on request.

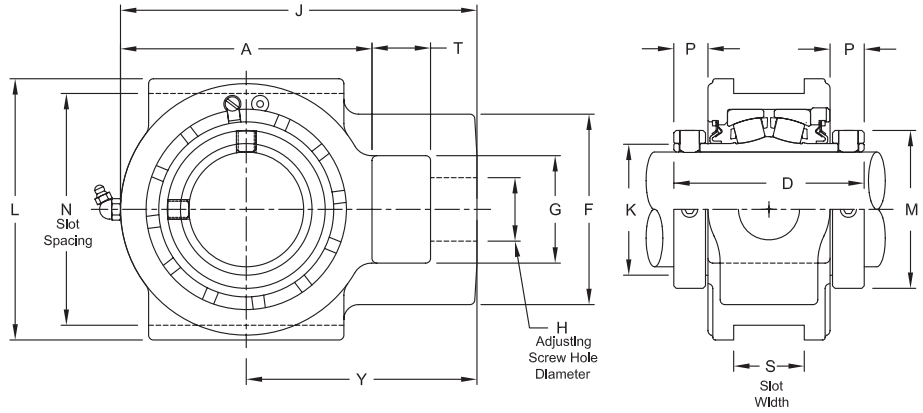
# ZT5000



Photo Shows a Spherical Roller Bearing Take-up Unit

## Product Features

- Corrosion-resistant powder coating
  - Cast iron housing
  - Misalignment capabilities - total of 4°
  - Broad range of sealing options
  - Factory set clearance & lubrication
  - Precision ground & superfinished raceways
  - Two hardened spring locking collars
  - Field interchangeable seals
- See Features & Benefits for additional info.



## Bearing Dimensions

| Size Code | Shaft Diameter | Part Number | H Adjusting Screw Hole Diameter | N Slot Spacing | S Slot Width | A       | D       | F      | G       | J       | K       | L       | M       | P      | T      | Y       | Allowable Working Load | Approx. Weight |
|-----------|----------------|-------------|---------------------------------|----------------|--------------|---------|---------|--------|---------|---------|---------|---------|---------|--------|--------|---------|------------------------|----------------|
| 4         | 1 7/16         | ZT45107     | 7/8                             | 3 1/2          | 17/32        | 3 3/4   | 3 9/16  | 2 7/16 | 1 7/16  | 5 1/16  | 1 3/4   | 4 1/8   | 2 5/16  | 11/16  | 5/8    | 3 1/4   | 7,600                  | 6.80           |
|           | 35.00          | ZT45035MM   | 22.23                           | 88.900         | 13.490       | 95.25   | 90.49   | 61.91  | 36.51   | 128.59  | 44.450  | 104.78  | 58.74   | 17.46  | 15.88  | 82.55   | 3,447                  | 3.10           |
| 5         | 1 1/2          | ZT55108     | 1 1/8                           | 4              | 11/16        | 4 1/4   | 3 13/16 | 3 5/16 | 1 3/4   | 5 15/16 | 2 1/32  | 4 3/4   | 2 19/32 | 11/16  | 15/16  | 3 13/16 | 12,300                 | 10.90          |
|           | 1 11/16        | ZT55111     |                                 |                |              |         |         |        |         |         |         |         |         |        |        |         |                        | 10.20          |
|           | 40.00          | ZT55040MM   | 28.58                           | 101.600        | 17.460       | 107.95  | 96.84   | 84.14  | 44.45   | 150.81  | 51.590  | 120.65  | 65.88   | 17.46  | 23.81  | 96.84   | 5,580                  | 4.90           |
| 6         | 45.00          | ZT55045MM   | 4.90                            | 4.60           |              |         |         |        |         |         |         |         |         |        |        |         |                        |                |
|           | 1 15/16        | ZT65115     | 1 1/8                           | 4              | 11/16        | 4 1/2   | 3 13/16 | 3 5/16 | 1 15/16 | 6 3/16  | 2 5/16  | 4 1/2   | 2 7/8   | 11/16  | 3/4    | 3 15/16 | 12,300                 | 10.80          |
| 7         | 50.00          | ZT65050MM   | 28.58                           | 101.600        | 17.460       | 114.30  | 96.84   | 84.14  | 49.21   | 157.16  | 58.740  | 114.30  | 73.03   | 17.46  | 19.05  | 100.01  | 5,580                  | 4.90           |
|           | 2              | ZT75200     | 1 3/8                           | 4 1/2          | 13/16        | 5       | 4 1/8   | 3 7/8  | 2 1/4   | 7 1/8   | 2 5/8   | 5 1/4   | 3 1/4   | 13/16  | 1 1/4  | 4 5/8   | 13,500                 | 15.20          |
| 2 3/16    | ZT75203        | 14.50       |                                 |                |              |         |         |        |         |         |         |         |         |        |        |         |                        |                |
| 8         | 55.00          | ZT75055MM   | 34.93                           | 114.300        | 20.640       | 127.00  | 104.78  | 98.43  | 57.15   | 180.98  | 66.680  | 133.35  | 82.60   | 20.64  | 31.75  | 117.48  | 6,120                  | 6.60           |
|           | 2 7/16         | ZT85207     | 1 3/8                           | 5 1/8          | 1 1/16       | 5 1/2   | 4 3/8   | 4 1/4  | 2 1/4   | 7 13/16 | 2 29/32 | 5 7/8   | 3 9/16  | 7/8    | 1 1/4  | 5 1/16  | 20,900                 | 19.40          |
|           | 60.00          | ZT85060MM   | 34.93                           | 130.180        | 26.990       | 139.70  | 111.13  | 107.95 | 57.15   | 198.44  | 73.810  | 149.23  | 90.50   | 22.23  | 31.75  | 128.59  | 9,480                  | 8.80           |
| 9         | 65.00          | ZT85065MM   | 8.80                            | 8.50           |              |         |         |        |         |         |         |         |         |        |        |         |                        |                |
|           | 2 1/2          | ZT95208     | 1 5/8                           | 5 15/16        | 1 13/16      | 6 7/16  | 4 7/8   | 4 7/8  | 2 3/4   | 9 1/8   | 3 3/8   | 6 11/16 | 4 1/16  | 7/8    | 1 1/2  | 5 15/16 | 26,800                 | 31.50          |
|           | 2 11/16        | ZT95211     |                                 |                |              |         |         |        |         |         |         |         |         |        |        |         |                        | 30.10          |
|           | 2 15/16        | ZT95215     | 28.80                           |                |              |         |         |        |         |         |         |         |         |        |        |         |                        |                |
| 70.00     | ZT95070MM      | 41.28       | 150.810                         | 46.040         | 163.51       | 123.83  | 123.83  | 69.85  | 231.78  | 85.730  | 169.86  | 103.20  | 22.23   | 38.10  | 150.81 | 12,150  | 13.60                  |                |
| 10        | 75.00          | ZT95075MM   | 13.00                           |                |              |         |         |        |         |         |         |         |         |        |        |         |                        |                |
|           | 3 3/16         | ZT105303    | 1 7/8                           | 6 13/16        | 1 13/16      | 7 3/8   | 5 5/16  | 5 3/8  | 2 7/8   | 10      | 3 31/32 | 7 13/16 | 4 29/32 | 15/16  | 1 5/8  | 6 5/16  | 27,300                 | 44.00          |
|           | 3 7/16         | ZT105307    |                                 |                |              |         |         |        |         |         |         |         |         |        |        |         |                        | 42.00          |
|           | 80.00          | ZT105080MM  | 20.00                           |                |              |         |         |        |         |         |         |         |         |        |        |         |                        |                |
|           | 85.00          | ZT105085MM  | 19.00                           |                |              |         |         |        |         |         |         |         |         |        |        |         |                        |                |
| 90.00     | ZT105090MM     | 18.00       |                                 |                |              |         |         |        |         |         |         |         |         |        |        |         |                        |                |
| 11        | 3 11/16        | ZT115311    | 2 1/8                           | 8 5/8          | 2 1/16       | 8 7/8   | 6 1/8   | 5 3/8  | 3 3/8   | 12 1/8  | 4 9/16  | 9 7/16  | 5 5/8   | 1 1/32 | 2 1/8  | 7 11/16 | 45,400                 | 75.00          |
|           | 3 15/16        | ZT115315    |                                 |                |              |         |         |        |         |         |         |         |         |        |        |         |                        | 72.00          |
|           | 4              | ZT115400    | 71.00                           |                |              |         |         |        |         |         |         |         |         |        |        |         |                        |                |
|           | 100.00         | ZT115100MM  | 53.98                           | 219.080        | 52.390       | 225.43  | 155.58  | 136.53 | 85.73   | 307.98  | 115.890 | 239.71  | 142.90  | 26.19  | 53.98  | 195.26  | 20,600                 | 33.00          |
| 12        | 4 3/16         | ZT125403Y   | 2 1/8                           | 9 1/2          | 2 1/16       | 9 13/16 | 6 1/4   | 6 3/8  | 3 3/8   | 13 7/16 | 5 1/32  | 10 3/8  | 6 3/16  | 1 1/16 | 2 1/8  | 8 11/16 | 53,700                 | 94.00          |
|           | 4 7/16         | ZT125407Y   |                                 |                |              |         |         |        |         |         |         |         |         |        |        |         |                        | 91.00          |
|           | 4 1/2          | ZT125408Y   | 90.00                           |                |              |         |         |        |         |         |         |         |         |        |        |         |                        |                |
|           | 110.00         | ZT125110MM  | 53.98                           | 241.300        | 52.390       | 249.24  | 158.75  | 161.93 | 85.73   | 341.31  | 127.790 | 263.53  | 157.16  | 26.99  | 53.98  | 220.66  | 24,350                 | 41.00          |
| 13        | 115.00         | ZT125115MM  | 40.00                           |                |              |         |         |        |         |         |         |         |         |        |        |         |                        |                |
|           | 4 15/16        | ZT135415    | 2 3/8                           | 10 1/4         | 2 1/16       | 10 7/8  | 7 7/8   | 6 1/4  | 3 3/4   | 14 7/8  | 5 3/4   | 11 1/4  | 7 1/16  | 1 5/32 | 2 1/2  | 9 7/16  | 68,000                 | 130.00         |

Continued...

Continued...

**Bearing Dimensions**

| Size Code | Shaft Diameter | Part Number | H Adjusting Screw Hole Diameter | N Slot Spacing | S Slot Width | A      | D      | F      | G      | J      | K       | L      | M       | P      | T     | Y        | Allowable Working Load | Approx. Weight |
|-----------|----------------|-------------|---------------------------------|----------------|--------------|--------|--------|--------|--------|--------|---------|--------|---------|--------|-------|----------|------------------------|----------------|
| 13        | 5              | ZT135500    | 2 3/8                           | 10 1/4         | 2 1/16       | 10 7/8 | 7 7/8  | 6 1/4  | 3 3/4  | 14 7/8 | 5 3/4   | 11 1/4 | 7 1/16  | 1 5/32 | 2 1/2 | 9 7/16   | 68,000                 | 127.00         |
|           | 125.00         | ZT135125MM  | 60.33                           | 260.350        | 52.390       | 276.23 | 200.03 | 158.75 | 95.25  | 377.83 | 146.050 | 285.75 | 179.39  | 29.37  | 63.50 | 239.71   | 30,800                 | 59.00          |
|           | 130.00         | ZT135130MM  |                                 |                |              |        |        |        |        |        |         |        |         |        |       |          |                        | 57.00          |
| 14        | 5 7/16         | ZT145507    | 3 1/8                           | 14 1/8         | 2 9/16       | 15 3/8 | 8      | 8      | 5      | 20 5/8 | 6 1/2   | 16     | 8 3/16  | 1 7/32 | 3 1/2 | 12 7/16  | 140,900                | 417.00         |
|           | 140.00         | ZT145140MM  | 79.38                           | 358.780        | 65.090       | 390.53 | 203.20 | 203.20 | 127.00 | 523.88 | 165.100 | 406.40 | 207.96  | 30.96  | 88.90 | 315.91   | 63,900                 | 189.00         |
| 15        | 5 15/16        | ZT155515    | 3 1/8                           | 14 1/8         | 2 9/16       | 15 3/8 | 8 1/8  | 8      | 5      | 20 5/8 | 7 13/64 | 16     | 8 5/8   | 1 5/32 | 3 1/2 | 12 15/16 | 140,900                | 426.00         |
|           | 6              | ZT155600    |                                 |                |              |        |        |        |        |        |         |        |         |        |       |          |                        | 424.00         |
|           | 150.00         | ZT155150MM  | 79.38                           | 358.780        | 65.090       | 390.53 | 206.38 | 203.20 | 127.00 | 523.88 | 182.960 | 406.40 | 219.08  | 29.37  | 88.90 | 328.61   | 63,900                 | 193.00         |
|           | 160.00         | ZT155160MM  |                                 |                |              |        |        |        |        |        |         |        |         |        |       |          |                        | 192.00         |
| 16        | 6 7/16         | ZT165607    | 3 1/8                           | 14 1/8         | 2 9/16       | 15 3/8 | 8 3/4  | 8      | 5      | 20 5/8 | 8 3/64  | 16     | 9 23/32 | 1 9/32 | 3 1/2 | 12 15/16 | 165,300                | 433.00         |
|           | 6 15/16        | ZT165615    |                                 |                |              |        |        |        |        |        |         |        |         |        |       |          |                        | 428.00         |
|           | 7              | ZT165700    | 79.38                           | 358.780        | 65.090       | 390.53 | 222.25 | 203.20 | 127.00 | 523.88 | 204.390 | 406.40 | 246.86  | 32.54  | 88.90 | 328.61   | 74,900                 | 426.00         |
|           | 180.00         | ZT165180MM  |                                 |                |              |        |        |        |        |        |         |        |         |        |       |          |                        | 193.00         |

**Additional Notes**

Please call 1-866-REXNORD for availability  
 Metric bore sizes available, see Rex Interchangeability guide  
 Lubrication fitting tap size: for size code 4 thru 11, 1/8" PT: for all other size codes, 1/4" PT  
 Bore size = nominal shaft size +.001 in/-.000 in (+0.03 mm/-0.00 mm)  
 Take-up slot spacing & width tolerance, +.005 in/-.015 in (+0.13 mm/-0.38 mm)  
 Seals - to specify K or M seal, replace "Z" in part number with "K" or "M"  
 "K" seals only available in size codes 4 thru 11

Auxiliary end caps - available in all size codes  
 Allowable working load is 2/3 yield strength  
 For the Selection Guide, Load Ratings and Speed Limits, see the Rex Spherical Roller Bearings Engineering section  
 Note: Dimensions subject to change. Certified dimensions of ordered material furnished on request.

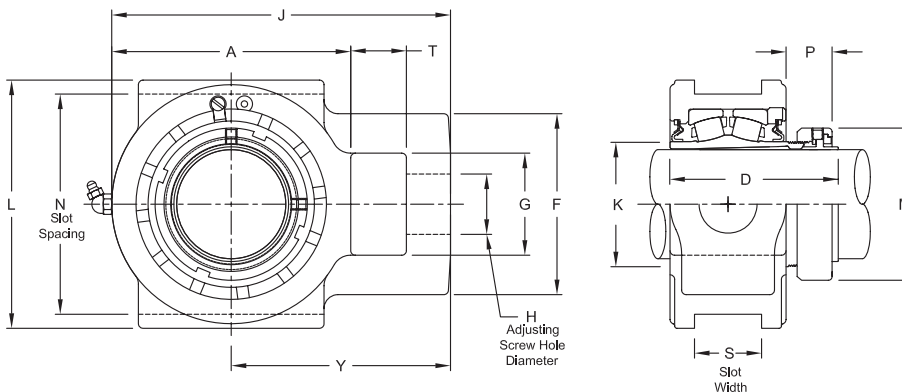
# ZT6000



Photo Shows a Spherical Roller Bearing Take-up Unit

## Product Features

- Spyglass™ Optical Strain Sensor (OSS) Technology
- Positive locking system
- Tapered adapter sleeve
- Corrosion-resistant powder coating
- Cast iron housing
- Misalignment capabilities - total of 4°
- Broad range of sealing options
- Factory set clearance & lubrication
- Precision ground & superfinished raceways
- See Features & Benefits for additional info.



## Bearing Dimensions

| Size Code | Shaft Diameter | Part Number | H Adjusting Screw Hole Diameter | N Slot Spacing | S Slot Width | A       | D       | F      | G       | J       | K       | L       | M       | P       | T     | Y        | Allowable Working Load | Approx. Weight |         |        |        |        |        |       |        |         |        |        |       |       |        |        |       |
|-----------|----------------|-------------|---------------------------------|----------------|--------------|---------|---------|--------|---------|---------|---------|---------|---------|---------|-------|----------|------------------------|----------------|---------|--------|--------|--------|--------|-------|--------|---------|--------|--------|-------|-------|--------|--------|-------|
| 4         | 1 7/16         | ZT46107     | 7/8                             | 3 1/2          | 17/32        | 3 3/4   | 3 21/64 | 2 7/16 | 1 7/16  | 5 1/16  | 1 3/4   | 4 1/8   | 2 25/64 | 1 9/64  | 5/8   | 3 1/4    | 7,600                  | 6.40           |         |        |        |        |        |       |        |         |        |        |       |       |        |        |       |
| 5         | 1 11/16        | ZT56111     | 1 1/8                           | 4              | 11/16        | 4 1/4   | 3 47/64 | 3 5/16 | 1 3/4   | 5 1/16  | 2 1/32  | 4 3/4   | 2 41/64 | 1 9/32  | 15/16 | 3 13/16  | 12,300                 | 9.80           |         |        |        |        |        |       |        |         |        |        |       |       |        |        |       |
| 6         | 1 15/16        | ZT66115     | 1 1/8                           | 4              | 11/16        | 4 1/2   | 3 41/64 | 3 5/16 | 1 15/16 | 6 3/16  | 2 5/16  | 4 1/2   | 2 55/64 | 1 1/8   | 3/4   | 3 15/16  | 12,300                 | 10.80          |         |        |        |        |        |       |        |         |        |        |       |       |        |        |       |
|           | 45.00          | ZT66045MM   | 28.58                           | 101.600        | 17.460       | 114.30  | 92.47   | 84.14  | 49.21   | 157.16  | 58.740  | 114.30  | 72.63   | 28.58   | 19.05 | 100.01   | 5,580                  | 4.60           |         |        |        |        |        |       |        |         |        |        |       |       |        |        |       |
| 7         | 2 3/16         | ZT76203     | 1 3/8                           | 4 1/2          | 13/16        | 5       | 3 11/16 | 3 7/8  | 2 1/4   | 7 1/8   | 2 5/8   | 5 1/4   | 3 15/64 | 1 5/32  | 1 1/4 | 4 5/8    | 13,500                 | 15.20          |         |        |        |        |        |       |        |         |        |        |       |       |        |        |       |
|           | 55.00          | ZT76055MM   | 34.93                           | 114.300        | 20.640       | 127.00  | 93.66   | 98.43  | 57.15   | 180.98  | 66.680  | 133.35  | 82.15   | 29.37   | 31.75 | 117.48   | 6,120                  | 6.60           |         |        |        |        |        |       |        |         |        |        |       |       |        |        |       |
| 8         | 2 3/8          | ZT86206     | 1 3/8                           | 5 1/8          | 1 1/16       | 5 1/2   | 4 1/16  | 4 1/4  | 2 1/4   | 7 13/16 | 2 29/32 | 5 7/8   | 3 19/32 | 1 27/64 | 1 1/4 | 5 1/16   | 20,900                 | 19.90          |         |        |        |        |        |       |        |         |        |        |       |       |        |        |       |
|           | 2 7/16         | ZT86207     |                                 |                |              |         |         |        |         |         |         |         |         |         |       |          |                        | 19.40          |         |        |        |        |        |       |        |         |        |        |       |       |        |        |       |
|           | 60.00          | ZT86060MM   | 34.93                           | 130.180        | 26.990       | 139.70  | 103.19  | 107.95 | 57.15   | 198.44  | 73.810  | 149.23  | 91.28   | 36.12   | 31.75 | 128.59   | 9,480                  | 8.80           |         |        |        |        |        |       |        |         |        |        |       |       |        |        |       |
| 9         | 2 11/16        | ZT96211     | 1 5/8                           | 5 15/16        | 1 13/16      | 6 7/16  | 4 17/32 | 4 7/8  | 2 3/4   | 9 1/8   | 3 3/8   | 6 11/16 | 4 3/32  | 1 25/64 | 1 1/2 | 5 15/16  | 26,800                 | 31.50          |         |        |        |        |        |       |        |         |        |        |       |       |        |        |       |
|           | 2 3/4          | ZT96212     |                                 |                |              |         |         |        |         |         |         |         |         |         |       |          |                        | 30.10          |         |        |        |        |        |       |        |         |        |        |       |       |        |        |       |
|           | 2 15/16        | ZT96215     |                                 |                |              |         |         |        |         |         |         |         |         |         |       |          |                        | 28.80          |         |        |        |        |        |       |        |         |        |        |       |       |        |        |       |
|           | 70.00          | ZT96070MM   |                                 |                |              |         |         |        |         |         |         |         |         |         |       |          |                        | 41.28          | 150.810 | 46.040 | 163.51 | 115.09 | 123.83 | 69.85 | 231.78 | 85.730  | 169.86 | 103.98 | 35.32 | 38.10 | 150.81 | 12,150 | 13.60 |
| 75.00     | ZT96075MM      |             |                                 |                |              |         |         |        |         |         |         |         |         |         |       |          |                        | 13.00          |         |        |        |        |        |       |        |         |        |        |       |       |        |        |       |
| 10        | 3 3/16         | ZT106303    | 1 7/8                           | 6 13/16        | 1 13/16      | 7 3/8   | 5 1/32  | 5 3/8  | 2 7/8   | 10      | 3 31/32 | 7 13/16 | 4 61/64 | 1 19/32 | 1 5/8 | 6 5/16   | 27,300                 | 44.00          |         |        |        |        |        |       |        |         |        |        |       |       |        |        |       |
|           | 3 7/16         | ZT106307    |                                 |                |              |         |         |        |         |         |         |         |         |         |       |          |                        | 42.00          |         |        |        |        |        |       |        |         |        |        |       |       |        |        |       |
|           | 80.00          | ZT106080MM  |                                 |                |              |         |         |        |         |         |         |         |         |         |       |          |                        | 47.63          | 173.040 | 46.040 | 187.33 | 127.79 | 136.53 | 73.03 | 254.00 | 100.810 | 198.44 | 125.81 | 40.48 | 41.28 | 160.34 | 12,380 | 20.00 |
|           | 85.00          | ZT106085MM  |                                 |                |              |         |         |        |         |         |         |         |         |         |       |          |                        |                |         |        |        |        |        |       |        |         |        |        |       |       |        |        |       |
| 11        | 3 11/16        | ZT116311    | 2 1/8                           | 8 5/8          | 2 1/16       | 8 7/8   | 5 25/32 | 5 3/8  | 3 3/8   | 12 1/8  | 4 9/16  | 9 7/16  | 5 43/64 | 1 47/64 | 2 1/8 | 7 11/16  | 45,400                 | 75.00          |         |        |        |        |        |       |        |         |        |        |       |       |        |        |       |
|           | 3 15/16        | ZT116315    |                                 |                |              |         |         |        |         |         |         |         |         |         |       |          |                        | 72.00          |         |        |        |        |        |       |        |         |        |        |       |       |        |        |       |
|           | 100.00         | ZT116100MM  |                                 |                |              |         |         |        |         |         |         |         |         |         |       |          |                        | 53.98          | 219.080 | 52.390 | 225.43 | 146.84 | 136.53 | 85.73 | 307.98 | 115.890 | 239.71 | 144.07 | 44.05 | 53.98 | 195.26 | 20,600 | 33.00 |
| 12        | 4 3/16         | ZT126403Y   | 2 1/8                           | 9 1/2          | 2 1/16       | 9 13/16 | 6 1/4   | 6 3/8  | 3 3/8   | 13 7/16 | 5 1/32  | 10 3/8  | 6 1/16  | 1 7/8   | 2 1/8 | 8 11/16  | 53,700                 | 94.00          |         |        |        |        |        |       |        |         |        |        |       |       |        |        |       |
|           | 4 7/16         | ZT126407Y   |                                 |                |              |         |         |        |         |         |         |         |         |         |       |          |                        | 91.00          |         |        |        |        |        |       |        |         |        |        |       |       |        |        |       |
|           | 110.00         | ZT126110MM  |                                 |                |              |         |         |        |         |         |         |         |         |         |       |          |                        | 53.98          | 241.300 | 52.390 | 249.24 | 158.75 | 161.93 | 85.73 | 341.31 | 127.790 | 263.53 | 153.99 | 47.63 | 53.98 | 220.66 | 24,350 | 41.00 |
| 13        | 4 15/16        | ZT136415    | 2 3/8                           | 10 1/4         | 2 1/16       | 10 7/8  | 7 15/16 | 6 1/4  | 3 3/4   | 14 7/8  | 5 3/4   | 11 1/4  | 6 61/64 | 2 1/4   | 2 1/2 | 9 7/16   | 68,000                 | 130.00         |         |        |        |        |        |       |        |         |        |        |       |       |        |        |       |
|           | 125.00         | ZT136125MM  | 60.33                           | 260.350        | 52.390       | 276.23  | 201.61  | 158.75 | 95.25   | 377.83  | 146.050 | 285.75  | 176.61  | 57.15   | 63.50 | 239.71   | 30,800                 | 59.00          |         |        |        |        |        |       |        |         |        |        |       |       |        |        |       |
| 14        | 5 7/16         | ZT146507    | 3 1/8                           | 14 1/8         | 2 9/16       | 15 3/8  | 8 49/64 | 8      | 5       | 20 5/8  | 6 1/2   | 16      | 8 1/64  | 3 3/64  | 3 1/2 | 12 7/16  | 140,900                | 417.00         |         |        |        |        |        |       |        |         |        |        |       |       |        |        |       |
| 15        | 5 15/16        | ZT156515    | 3 1/8                           | 14 1/8         | 2 9/16       | 15 3/8  | 9 19/64 | 8      | 5       | 20 5/8  | 7 13/64 | 16      | 8 21/32 | 3 7/16  | 3 1/2 | 12 15/16 | 140,900                | 426.00         |         |        |        |        |        |       |        |         |        |        |       |       |        |        |       |
| 16        | 6 7/16         | ZT166607    | 3 1/8                           | 14 1/8         | 2 9/16       | 15 3/8  | 10      | 8      | 5       | 20 5/8  | 8 3/64  | 16      | 9 3/4   | 3 43/64 | 3 1/2 | 12 15/16 | 165,300                | 433.00         |         |        |        |        |        |       |        |         |        |        |       |       |        |        |       |
|           | 6 15/16        | ZT166615    |                                 |                |              |         |         |        |         |         |         |         |         |         |       |          |                        | 428.00         |         |        |        |        |        |       |        |         |        |        |       |       |        |        |       |

## Additional Notes

- Please call 1-866-REXNORD for availability
- Lubrication fitting tap size: for size code 4 thru 11, 1/8" PT; for all other size codes, 1/4" PT
- Take-up slot spacing & width tolerance, +.005 in/-0.015 in (+0.13 mm/-0.38 mm)
- Seals - to specify K or M seal, replace "Z" in part number with "K" or "M"
- "K" seals only available in size codes 4 thru 11
- Auxiliary end caps - available in all size codes
- Allowable working load is 2/3 yield strength

For the Selection Guide, Load Ratings and Speed Limits, see the Rex Spherical Roller Bearings Engineering section  
 Note: Dimensions subject to change. Certified dimensions of ordered material furnished on request.

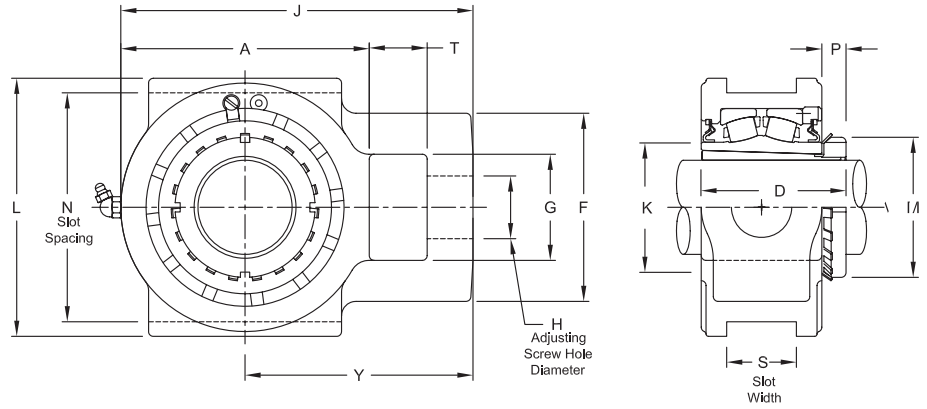
# ZT9000



Photo Shows a Spherical Roller Bearing Take-up Unit

## Product Features

- Corrosion-resistant powder coating
- Cast iron housing
- Misalignment capabilities - total of 4°
- Broad range of sealing options
- Factory set clearance & lubrication
- Precision ground & superfinished raceways
- Enhanced life mounting style
- Field interchangeable seals
- See Features & Benefits for additional info.



## Bearing Dimensions

| Size Code | Shaft Diameter | Part Number | H Adjusting Screw Hole Diameter | N Slot Spacing | S Slot Width | A       | D       | F      | G      | J       | K       | L       | M       | P       | T      | Y        | Allowable Working Load | Approx. Weight |
|-----------|----------------|-------------|---------------------------------|----------------|--------------|---------|---------|--------|--------|---------|---------|---------|---------|---------|--------|----------|------------------------|----------------|
| 7         | 1 15/16        | ZT79115     | 1 3/8                           | 4 1/2          | 13/16        | 5       | 3 5/32  | 3 7/8  | 2 1/4  | 7 1/8   | 2 5/8   | 5 1/4   | 2 31/32 | 19/32   | 1 1/4  | 4 5/8    | 13,500                 | 13.70          |
|           | 2              | ZT79200     |                                 |                |              |         |         |        |        |         |         |         |         |         |        |          |                        | 13.60          |
|           | 45.00          | ZT79045MM   | 34.93                           | 114.300        | 20.640       | 127.00  | 80.17   | 98.43  | 57.15  | 180.98  | 66.680  | 133.35  | 75.40   | 15.08   | 31.75  | 117.48   | 6,120                  | 6.30           |
|           | 50.00          | ZT79050MM   |                                 |                |              |         |         |        |        |         |         |         |         |         |        |          | 6.10                   |                |
| 8         | 2 3/16         | ZT89203     | 1 3/8                           | 5 1/8          | 1 1/16       | 5 1/2   | 3 11/32 | 4 1/4  | 2 1/4  | 7 13/16 | 2 29/32 | 5 7/8   | 3 3/8   | 23/32   | 1 1/4  | 5 1/16   | 20,900                 | 18.70          |
|           | 55.00          | ZT89055MM   |                                 |                |              |         |         |        |        |         |         |         |         |         |        |          |                        | 34.93          |
| 9         | 2 7/16         | ZT99207     | 1 5/8                           | 5 15/16        | 1 13/16      | 6 7/16  | 3 3/4   | 4 7/8  | 2 3/4  | 9 1/8   | 3 3/8   | 6 11/16 | 3 5/8   | 5/8     | 1 1/2  | 5 15/16  | 26,800                 | 29.10          |
|           | 2 1/2          | ZT99208     |                                 |                |              |         |         |        |        |         |         |         |         |         |        |          |                        | 28.70          |
| 10        | 2 11/16        | ZT109211    | 1 7/8                           | 6 13/16        | 1 13/16      | 7 3/8   | 4 1/4   | 5 3/8  | 2 7/8  | 10      | 3 31/32 | 7 13/16 | 4 13/32 | 13/16   | 1 5/8  | 6 5/16   | 27,300                 | 42.60          |
|           | 2 15/16        | ZT109215    |                                 |                |              |         |         |        |        |         |         |         |         |         |        |          |                        | 41.40          |
|           | 3              | ZT109300    | 47.63                           | 173.040        | 46.040       | 187.33  | 107.95  | 136.53 | 73.03  | 254.00  | 100.810 | 198.44  | 111.92  | 20.64   | 41.28  | 160.34   | 12,380                 | 18.80          |
|           | 75.00          | ZT109075MM  |                                 |                |              |         |         |        |        |         |         |         |         |         |        |          | 40.70                  |                |
| 11        | 3 3/16         | ZT119303    | 2 1/8                           | 8 5/8          | 2 1/16       | 8 7/8   | 5       | 5 3/8  | 3 3/8  | 12 1/8  | 4 9/16  | 9 7/16  | 5 3/16  | 15/16   | 2 1/8  | 7 11/16  | 45,400                 | 75.50          |
|           | 3 7/16         | ZT119307    |                                 |                |              |         |         |        |        |         |         |         |         |         |        |          |                        | 73.50          |
|           | 80.00          | ZT119080MM  | 53.98                           | 219.080        | 52.390       | 225.43  | 127.00  | 136.53 | 85.73  | 307.98  | 115.890 | 239.71  | 131.76  | 23.81   | 53.98  | 195.26   | 20,600                 | 34.00          |
| 12        | 3 11/16        | ZT129311Y   | 2 1/8                           | 9 1/2          | 2 1/16       | 9 13/16 | 5 17/32 | 6 3/8  | 3 3/8  | 13 7/16 | 5 1/32  | 10 3/8  | 5 23/32 | 1 1/32  | 2 1/8  | 8 11/16  | 53,700                 | 91.20          |
|           | 3 15/16        | ZT129315Y   |                                 |                |              |         |         |        |        |         |         |         |         |         |        |          |                        | 88.90          |
|           | 4              | ZT129400Y   | 88.40                           |                |              |         |         |        |        |         |         |         |         |         |        |          |                        |                |
| 100.00    | ZT129100MM     | 53.98       | 241.300                         | 52.390         | 249.24       | 140.49  | 161.93  | 85.73  | 341.31 | 127.790 | 263.53  | 145.26  | 26.19   | 53.98   | 220.66 | 24,350   | 41.30                  |                |
| 13        | 4 3/16         | ZT139403    | 2 3/8                           | 10 1/4         | 2 1/16       | 10 7/8  | 6 3/4   | 6 1/4  | 3 3/4  | 14 7/8  | 5 3/4   | 11 1/4  | 6 1/8   | 1 1/8   | 2 1/2  | 9 7/16   | 68,000                 | 130.00         |
|           | 4 7/16         | ZT139407    |                                 |                |              |         |         |        |        |         |         |         |         |         |        |          |                        | 128.00         |
| 14        | 4 15/16        | ZT149415    | 3 1/8                           | 14 1/8         | 2 9/16       | 15 3/8  | 7 1/16  | 8      | 5      | 20 5/8  | 6 1/2   | 16      | 7 3/32  | 1 1/8   | 3 1/2  | 12 7/16  | 140,900                | 411.00         |
| 5         | ZT149500       | 410.00      |                                 |                |              |         |         |        |        |         |         |         |         |         |        |          |                        |                |
| 15        | 5 7/16         | ZT159507    | 3 1/8                           | 14 1/8         | 2 9/16       | 15 3/8  | 7 5/16  | 8      | 5      | 20 5/8  | 7 13/64 | 16      | 8 1/16  | 1 5/16  | 3 1/2  | 12 15/16 | 140,900                | 421.00         |
|           | 5 15/16        | ZT169515    |                                 |                |              |         |         |        |        |         |         |         |         |         |        |          |                        | 428.00         |
| 16        | 6              | ZT169600    | 3 1/8                           | 14 1/8         | 2 9/16       | 15 3/8  | 7 3/4   | 8      | 5      | 20 5/8  | 8 3/64  | 16      | 9 1/16  | 1 11/16 | 3 1/2  | 12 15/16 | 165,300                | 427.00         |
|           | 6 7/16         | ZT169607    |                                 |                |              |         |         |        |        |         |         |         |         |         |        |          |                        | 420.00         |

## Additional Notes

- Please call 1-866-REXNORD for availability
- Lubrication fitting tap size: for size code 7 thru 11, 1/8" PT: for all other size codes, 1/4" PT
- Take-up slot spacing & width tolerance, ±.005 in/-.015 in (+0.13 mm/-0.38 mm)
- Seals - to specify K or M seal, replace "Z" in part number with "K" or "M"
- "K" seals only available in size codes 7 thru 11
- Auxiliary end caps - available in all size codes
- Allowable working load is 2/3 yield strength

For the Selection Guide, Load Ratings and Speed Limits, see the Rex Spherical Roller Bearings Engineering section  
 Note: Dimensions subject to change. Certified dimensions of ordered material furnished on request.



# ZHT5000

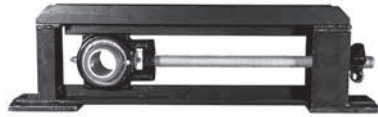
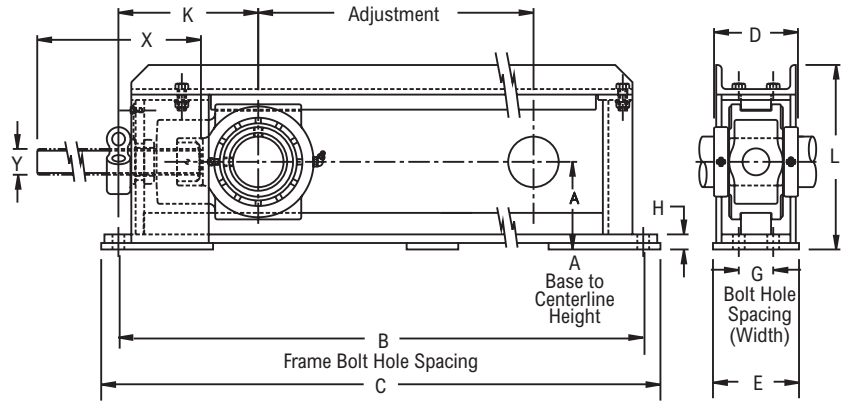


Photo Shows a Center Pull Take-up Frame with Spherical Roller Bearing Take-up Unit



## Product Features

- Center pull type frame
- Corrosion-resistant powder coating
- Cast iron housing
- Misalignment capabilities - total of 3°
- Broad range of sealing options
- Factory set clearance & lubrication
- Precision ground & superfinished raceways
- Field interchangeable seals
- See Features & Benefits for additional info.

## Bearing Dimensions

| Size Code     | Shaft Diameter | Complete Take-up Assembly | Travel Length                                  | A Base to Centerline Height                    | B Frame Bolt Hole Spacing                         | G Bolt Hole Spacing (Width)                    | C   | D   | E        | F        | H         | K      | L      | X   | Y  | Adjust.   | Allowable Working Load                            | Approx. Weight                                    |                            |        |        |         |        |   |   |  |  |  |
|---------------|----------------|---------------------------|--|--|---|--|---|---|----------|----------|-----------|--------|--------|---|--|---|---|---|----------------------------|--------|--------|---------|--------|---|---|--|--|--|
| <b>2-Bolt</b> |                |                           |  |  |   |  |   |   |          |          |           |        |        |   |  |   |   |   |                            |        |        |         |        |   |   |  |  |  |
| 5             | 1 1/2          | ZHT55108                  | 12<br>18<br>24                                 | 3 15/16  | 27 1/2<br>33 1/2<br>39 1/2                        | -  | 29 1/2<br>35 1/2<br>41 1/2                        | 3 13/16   | 4        | 5/8      | 7/8       | 6 9/16 | 8 7/16 | 19 1/2<br>25 1/2<br>31 1/2                        | 1-8NC  | 15<br>21<br>27                                    | 12,300  | 59<br>69<br>77                                    |                            |        |        |         |        |   |   |  |  |  |
|               | 1 11/16        | ZHT55111                  | 30<br>36                                       |  | 45 1/2<br>51 1/2                                  |  | 47 1/2<br>53 1/2                                  |   |          |          |           |        |        | 37 1/2<br>43 1/2                                  |  | 33<br>39  |   | 86<br>95  |                            |        |        |         |        |   |   |  |  |  |
|               | 40 MM          | ZHT55040MM                | 304.80<br>457.20<br>609.60<br>762.00<br>914.40 |  | 100.01  |  | 698.50<br>850.90<br>1003.30<br>1155.70<br>1308.10 |   |          |          |           |        |        | -   |  | 749.30<br>901.70<br>1054.10<br>1206.50<br>1358.90 |   | 96.80   | 101.60                     | 15.88  | 22.22  | 166.70  | 214.31 | 495.30<br>647.70<br>800.10<br>952.50<br>1104.90 | 1-8NC   | 381.00<br>533.40<br>685.80<br>838.20<br>990.60 | 54710.40                                       | 267.57<br>312.92<br>349.20<br>390.01<br>430.83 |
|               | 6              | 1 15/16                   | ZHT65115                                       | 12<br>18<br>24<br>30<br>36                     | 3 15/16   | 27 1/2<br>33 1/2<br>39 1/2<br>45 1/2<br>51 1/2 | -   | 29 1/2<br>35 1/2<br>41 1/2<br>47 1/2<br>53 1/2    | 3 13/16  | 4        | 5/8       | 7/8    | 6 9/16 | 8 7/16  | 19 1/2<br>25 1/2<br>31 1/2<br>37 1/2<br>43 1/2 | 1-8NC   | 15<br>21<br>27<br>33<br>39                        | 12,300  | 59<br>69<br>77<br>86<br>95 |        |        |         |        |   |   |  |  |  |
|               |                | 50 MM                     | ZHT65050MM                                     | 304.80<br>457.20<br>609.60<br>762.00<br>914.40 |   | 100.01   |   | 698.50<br>850.90<br>1003.30<br>1155.70<br>1308.10 |          |          |           |        |        |   | -  |   | 749.30<br>901.70<br>1054.10<br>1206.50<br>1358.90 |   | 96.80                      | 101.60 | 15.88  | 22.22   | 166.70 | 214.31  | 495.30<br>647.70<br>800.10<br>952.50<br>1104.90 | 1-8NC  | 381.00<br>533.40<br>685.80<br>838.20<br>990.60 | 54710.40                                       |
| 2             |                | ZHT75200                  | 12<br>18<br>24                                 | 4 7/16   |   | 27 1/2<br>33 1/2<br>39 1/2                     |   | -   |          |          |           |        |        |   | 29 1/2<br>35 1/2<br>41 1/2                     |   | 4 1/8   |   | 4                          | 5/8    | 1 3/16 | 6 13/16 | 9      | 20<br>26<br>32                                  | 1 1/4-7NC                                       | 15<br>21<br>27                                 | 13,000   | 70<br>81<br>90                                 |
|               |                | 2 3/16                    | ZHT75203                                       |  | 30<br>36  | 45 1/2<br>51 1/2                               | 47 1/2<br>53 1/2                                  |   | 38<br>44 | 33<br>39 | 98<br>108 |        |        |   |  |   |   |   |                            |        |        |         |        |   |   |  |  |  |
| 55 MM         |                | ZHT75055MM                | 304.80<br>457.20<br>609.60<br>762.00<br>914.40 | 112.71   | 698.50<br>850.90<br>1003.30<br>1155.70<br>1308.10 | -  | 749.30<br>901.70<br>1054.10<br>1206.50<br>1358.90 | 104.77  | 101.60   | 15.88    | 30.16     | 173.04 | 228.60 | 508.00<br>660.40<br>812.80<br>965.20<br>1117.60   | 1 1/4-7NC                                      | 381.00<br>533.40<br>685.80<br>838.20<br>990.60    | 57824.00  | 317.45<br>367.34<br>408.15<br>444.43<br>489.78    |                            |        |        |         |        |   |   |  |  |  |
| 8             | 2 7/16         | ZHT85207                  | 12<br>18<br>24<br>30<br>36                     | 4 3/8  | 28 1/2<br>34 1/2<br>40 1/2<br>46 1/2<br>52 1/2    | -  | 30 1/2<br>36 1/2<br>42 1/2<br>48 1/2<br>54 1/2    | 4 3/8   | 4        | 3/4      | 3/4       | 7 1/2  | 9 3/16 | 20<br>26<br>32<br>38<br>44                        | 1 1/4-7NC                                      | 15<br>21<br>27<br>33<br>39                        | 16,300  | 77<br>86<br>96<br>107<br>119                      |                            |        |        |         |        |   |   |  |  |  |
|               | 60 MM          | ZHT85060MM                | 304.80<br>457.20<br>609.60<br>762.00<br>914.40 |  | 111.13  |  | 723.90<br>876.30<br>1028.70<br>1181.10<br>1333.50 |   |          |          |           |        |        | -   |  | 774.70<br>927.10<br>1079.50<br>1231.90<br>1384.30 |   | 111.13  | 101.60                     | 19.05  | 19.05  | 190.50  | 233.36 | 508.00<br>660.40<br>812.80<br>965.20<br>1117.60 | 1 1/4-7NC                                       | 381.00<br>533.40<br>685.80<br>838.20<br>990.60 | 72502.40                                       | 349.20<br>390.01<br>435.36<br>485.25<br>539.67 |
|               | 65 MM          | ZHT85065MM                | 304.80<br>457.20<br>609.60<br>762.00<br>914.40 |  |   |  | 111.13  |   |          |          |           |        |        | 723.90<br>876.30<br>1028.70<br>1181.10<br>1333.50 |  | -   |   | 774.70<br>927.10<br>1079.50<br>1231.90<br>1384.30 | 111.13                     | 101.60 | 19.05  | 19.05   | 190.50 | 233.36  | 508.00<br>660.40<br>812.80<br>965.20<br>1117.60 | 1 1/4-7NC                                      | 381.00<br>533.40<br>685.80<br>838.20<br>990.60 | 72502.40                                       |

Continued...

Continued...

**Bearing Dimensions**

| Size Code     | Shaft Diameter | Complete Take-up Assembly | Travel Length                                  | A Base to Centerline Height | B Frame Bolt Hole Spacing     | G Bolt Hole Spacing (Width) | C  | D                | E                | F     | H     | K      | L        | X                            | Y              | Adjust.  | Allowable Working Load | Approx. Weight                  |        |       |       |        |        |  |           |   |            |   |
|---------------|----------------|---------------------------|--|-----------------------------|-------------------------------|-----------------------------|--|------------------|------------------|-------|-------|--------|----------|------------------------------|----------------|--|------------------------|---------------------------------|--------|-------|-------|--------|--------|--|-----------|---|------------|---|
| <b>4-Bolt</b> |                |                           |  |                             |                               |                             |  |                  |                  |       |       |        |          |                              |                |  |                        |                                 |        |       |       |        |        |  |           |   |            |   |
| 9             | 2 1/2          | ZHT95208                  | 12<br>18                                       | 5 1/8                       | 30 1/2<br>36 1/2              | 2                           | 32 1/2<br>38 1/2                                   | 4 7/8            | 5                | 5/8   | 7/8   | 8 1/8  | 10 3/4   | 21 3/4<br>27 3/4             | 1 1/2-6NC      | 16<br>22   | 26,800                 | 128<br>142                      |        |       |       |        |        |  |           |   |            |   |
|               | 2 11/16        | ZHT95211                  | 24<br>30                                       |                             | 42 1/2<br>48 1/2              |                             | 44 1/2<br>50 1/2                                   |                  |                  |       |       |        |          | 33 3/4<br>39 3/4             |                | 28<br>34   |                        | 159<br>174                      |        |       |       |        |        |  |           |   |            |   |
|               | 2 15/16        | ZHT95215                  | 36   |                             | 54 1/2                        |                             | 56 1/2   |                  |                  |       |       |        |          | 45 3/4                       |                | 40   |                        | 191                             |        |       |       |        |        |  |           |   |            |   |
|               | 70 MM          | ZHT95070MM                | 304.80<br>457.20<br>609.60                     | 130.18                      | 774.70<br>927.10              | 50.80                       | 825.50<br>977.90                                   | 123.83           | 127.00           | 15.88 | 22.22 | 166.70 | 206.38   | 552.45<br>704.85             | 1 1/2 - 6NC    | 406.40<br>558.80                                   | 119,206.40             | 580.48<br>643.97                |        |       |       |        |        |  |           |   |            |   |
|               | 75 MM          | ZHT95075MM                | 762.00<br>914.40                               |                             | 1079.50<br>1231.90<br>1384.30 |                             | 1130.30<br>1282.70<br>1435.10                      |                  |                  |       |       |        |          | 857.25<br>1009.65<br>1162.05 |                | 711.20<br>863.60<br>1016.00                        |                        | 789.09<br>866.19                |        |       |       |        |        |  |           |   |            |   |
| 10            | 3 3/16         | ZHT105303                 | 12<br>18                                       | 5 5/8                       | 32<br>38                      | 2                           | 34 1/4<br>40 1/4                                   | 5 5/16           | 5                | 3/4   | 7/8   | 8 3/4  | 11 13/16 | 22<br>28                     | 1 3/4-5NC      | 16 1/4<br>22 1/4                                   | 27,300                 | 152<br>177                      |        |       |       |        |        |  |           |   |            |   |
|               | 3 7/16         | ZHT105307                 | 24<br>30<br>36                                 |                             | 44<br>50<br>56                |                             | 46 1/4<br>52 1/4<br>58 1/4                         |                  |                  |       |       |        |          | 34<br>40<br>46               |                | 28 1/4<br>34 1/4<br>40 1/4                         |                        | 186<br>205<br>224               |        |       |       |        |        |  |           |   |            |   |
|               | 80 MM          | ZHT105080MM               | 304.80<br>457.20                               |                             | 142.88                        |                             | 812.80<br>965.20                                   |                  |                  |       |       |        |          | 50.80                        |                | 869.95<br>1022.35                                  |                        | 134.94                          | 127.00 | 19.05 | 22.22 | 222.25 | 300.04 | 558.80<br>711.20                                 | 1 3/4-5NC | 444.50<br>596.90                                | 121,430.40 | 689.32<br>802.70                                    |
|               | 85 MM          | ZHT105085MM               | 609.60<br>762.00                               | 1117.60<br>1270.00          |                               | 1174.75<br>1327.15          | 863.60<br>1016.00                                  | 749.30<br>901.70 | 843.51<br>929.68 |       |       |        |          |                              |                |  |                        |                                 |        |       |       |        |        |  |           |   |            |   |
|               | 90 MM          | ZHT105090MM               | 914.40   | 1422.40                     |                               | 1479.55                     | 1168.40  | 1054.10          | 1015.84          |       |       |        |          |                              |                |  |                        |                                 |        |       |       |        |        |  |           |   |            |   |
| 11            | 3 11/16        | ZHT115311                 | 12<br>18<br>24<br>30<br>36                     | 7                           | 36<br>42<br>48<br>54<br>60    | 2 1/2                       | 38 1/2<br>44 1/2<br>50 1/2<br>56 1/2<br>62 1/2     | 6 1/4            | 6                | 3/4   | 7/8   | 10 5/8 | 14 3/16  | 26<br>32<br>38<br>44<br>50   | 2-4 1/2NC      | 17 1/2<br>23 1/2<br>29 1/2<br>35 1/2<br>41 1/2     | 38,400                 | 241<br>270<br>290<br>311<br>337 |        |       |       |        |        |  |           |   |            |   |
|               | 100 MM         | ZHT115100MM               | 304.80<br>457.20<br>609.60<br>762.00<br>914.40 |                             | 177.80                        |                             | 914.40<br>1066.80<br>1219.20<br>1371.60<br>1524.00 |                  |                  |       |       |        |          | 63.50                        |                | 977.90<br>1130.30<br>1282.70<br>1435.10<br>1587.50 |                        | 158.75                          | 152.40 | 19.05 | 22.22 | 269.88 | 360.36 | 660.40<br>812.80<br>965.20<br>1117.60<br>1270.00 | 2-4 1/2NC | 444.50<br>596.90<br>749.30<br>901.70<br>1054.10 | 170,803.20 | 1092.94<br>1224.45<br>1315.15<br>1410.39<br>1528.30 |
|               |                |                           |  |                             |                               |                             |  |                  |                  |       |       |        |          |                              |                |  |                        |                                 |        |       |       |        |        |  |           |   |            |   |
| 12            | 4 3/16         | ZHT125403Y                | 12<br>18<br>24<br>30                           | 7 1/2                       | 40 3/4<br>46 3/4              | 5                           | 45 3/4<br>51 3/4                                   | 6 1/4            | 8 7/8            | 1 1/8 | 1     | 12 1/4 | 15 1/2   | 26<br>32<br>38<br>44         | 2-<br>4 1/2 NC | 19<br>25<br>31<br>37                               | 53,300                 | 331<br>362<br>391<br>410        |        |       |       |        |        |  |           |   |            |   |
|               | 4 7/16         | ZHT125407Y                | 36<br>42                                       |                             | 58 3/4<br>64 3/4<br>70 3/4    |                             | 63 3/4<br>69 3/4<br>75 3/4                         |                  |                  |       |       |        |          | 50<br>56<br>62               |                | 43<br>49   |                        | 433<br>461                      |        |       |       |        |        |  |           |   |            |   |

Continued...



Continued...

**Bearing Dimensions**

| Size Code                 | Shaft Diameter | Complete Take-up Assembly | Travel Length                        | A Base to Centerline Height | B Frame Bolt Hole Spacing                | G Bolt Hole Spacing (Width) | C  | D      | E      | F     | H     | K      | L      | X                                     | Y                  | Adjust.                                  | Allowable Working Load | Approx. Weight                           |                    |       |       |        |        |   |           |                                      |            |  |
|---------------------------|----------------|---------------------------|--------------------------------------|-----------------------------|--|-----------------------------|--|--------|--------|-------|-------|--------|--------|---------------------------------------|--------------------|--|------------------------|--|--------------------|-------|-------|--------|--------|---|-----------|--------------------------------------|------------|--|
| <b>4-Bolt (continued)</b> |                |                           |                                      |                             |  |                             |  |        |        |       |       |        |        |                                       |                    |  |                        |  |                    |       |       |        |        |   |           |                                      |            |  |
| 12                        | 110 MM         | ZHT125110MM               | 304.80<br>457.20<br>609.60<br>762.00 | 190.50                      | 1035.05<br>1187.45<br>1339.85<br>1492.25 | 127.00                      | 1111.25<br>1314.45<br>1466.85<br>1619.25 | 158.75 | 225.43 | 28.58 | 25.40 | 309.88 | 393.70 | 660.40<br>812.80<br>965.20<br>1117.60 | 2-4 1/2NC          | 482.60<br>635.00<br>787.40<br>939.80     | 237,078.40             | 1501.09<br>1641.67<br>1773.19<br>1859.35 |                    |       |       |        |        |   |           |                                      |            |  |
|                           | 115 MM         | ZHT125115MM               | 914.40<br>1066.80                    |                             | 1644.65<br>1797.05                       |                             | 1009.65<br>1924.05                       |        |        |       |       |        |        | 1270.00<br>1422.40                    |                    |  |                        | 1092.20<br>1244.60                       | 1963.66<br>2090.64 |       |       |        |        |   |           |                                      |            |  |
| 13                        | 4 15/16        | ZHT135415                 | 12<br>18<br>24<br>30                 | 8 1/8                       | 44 1/2<br>50 1/2<br>56 1/2<br>62 1/2     | 5 1/2                       | 49 1/2<br>55 1/2<br>61 1/2<br>67 1/2     | 7 7/8  | 9 7/8  | 1 1/8 | 1     | 13 1/2 | 16 3/4 | 29<br>35<br>41<br>47                  | 2 1/4-<br>4 1/2 NC | 20 1/4<br>26 1/4<br>32 1/4<br>38 1/4     | 68,000                 | 440<br>460<br>496<br>527                 |                    |       |       |        |        |   |           |                                      |            |  |
|                           | 5              | ZHT135500                 | 36<br>42                             |                             | 68 1/2<br>74 1/2                         |                             | 73 1/2<br>79 1/2                         |        |        |       |       |        |        | 44 1/4<br>50 1/4                      |                    | 555<br>587                               |                        |  |                    |       |       |        |        |   |           |                                      |            |  |
|                           | 125 MM         | ZHT135125MM               | 304.80<br>457.20<br>609.60<br>762.00 |                             | 206.37                                   |                             | 1130.30<br>1282.70<br>1435.10<br>1587.50 |        |        |       |       |        |        | 139.70                                |                    | 1257.30<br>1409.70<br>1562.10<br>1714.50 |                        | 200.00                                   | 250.83             | 28.50 | 25.40 | 342.90 | 171.45 | 745.49<br>1041.40<br>1193.80<br>1361.19 | 2-4 1/2NC | 514.35<br>666.75<br>819.15<br>971.55 | 302,464.00 | 1995.40<br>2086.10<br>2249.36<br>2389.95 |
|                           | 130 MM         | ZHT135135MM               | 914.40<br>1066.80                    |                             |  |                             | 1739.90<br>1892.30                       |        |        |       |       |        |        |                                       |                    | 1866.90<br>2019.30                       |                        |  |                    |       |       |        |        | 1866.90<br>2019.30                      |           | 1123.95<br>1276.35                   |            | 2516.93<br>2662.05                       |
| 14                        | 5 7/16         | ZHT145507                 | 18<br>30<br>42                       | 10 9/16                     | 55<br>67<br>79                           | 7                           | 61<br>73<br>85                           | 8      | 12     | 1 3/4 | 1 1/2 | 23 1/2 | 22 1/2 | 36<br>48<br>60                        | 3-<br>4 NC         | 18<br>30<br>42                           | 136,700                | 1293<br>1420<br>1547                     |                    |       |       |        |        |   |           |                                      |            |  |
|                           | 140 MM         | ZHT145140MM               | 457.20<br>762.00<br>1066.80          |                             | 298.29                                   |                             | 1397.00<br>1701.80<br>2006.60            |        |        |       |       |        |        | 177.80                                |                    | 1549.40<br>1854.20<br>2159.00            |                        | 203.20                                   | 304.80             | 44.45 | 12.70 | 596.90 | 571.50 | 914.40<br>1219.20<br>1524.00            | 3-4NC     | 457.20<br>762.00<br>1066.80          | 608,041.60 | 5863.76<br>6439.70<br>7015.65            |
| 15                        | 5 15/16        | ZHT155515                 | 18<br>30<br>42                       | 10 9/16                     | 55<br>67<br>79                           | 7                           | 61<br>73<br>85                           | 8 1/8  | 12     | 1 3/4 | 1 1/2 | 23 1/2 | 22 1/2 | 36<br>48<br>60                        | 3-<br>4 NC         | 18<br>30<br>42                           | 136,700                | 1300<br>1427<br>1554                     |                    |       |       |        |        |   |           |                                      |            |  |
|                           | 150 MM         | ZHT155150MM               | 457.20<br>762.00<br>1066.80          |                             | 298.29                                   |                             | 1397.00<br>1701.80<br>2006.60            |        |        |       |       |        |        | 177.80                                |                    | 1549.40<br>1854.20<br>2159.00            |                        | 206.38                                   | 304.80             | 44.45 | 12.70 | 596.90 | 571.50 | 914.40<br>1219.20<br>1524.00            | 3-4NC     | 457.20<br>762.00<br>1066.80          | 608,041.60 | 5895.50<br>6471.45<br>7047.39            |
|                           | 160 MM         | ZHT155160MM               |                                      |                             |  |                             |  |        |        |       |       |        |        |                                       |                    |  |                        |  |                    |       |       |        |        |   |           |                                      |            |  |
| 16                        | 6 7/16         | ZHT165607                 | 18<br>30<br>42                       | 10 9/16                     | 55<br>67<br>79                           | 7                           | 61<br>73<br>85                           | 8 3/4  | 12     | 1 3/4 | 1 1/2 | 23 1/2 | 22 1/2 | 36<br>48<br>60                        | 3-4 NC             | 18<br>30<br>42                           | 136,700                | 1304<br>1431<br>1558                     |                    |       |       |        |        |   |           |                                      |            |  |
|                           | 6 15/16        | ZHT165615                 |                                      |                             |  |                             |  |        |        |       |       |        |        |                                       |                    |  |                        |  |                    |       |       |        |        |   |           |                                      |            |  |
|                           | 7              | ZHT165700                 |                                      |                             |  |                             |  |        |        |       |       |        |        |                                       |                    |  |                        |  |                    |       |       |        |        |   |           |                                      |            |  |
|                           | 180 MM         | ZHT165180MM               | 457.20<br>762.00<br>1066.80          |                             | 298.29                                   |                             | 1397.00<br>1701.80<br>2006.60            |        |        |       |       |        |        | 177.80                                |                    | 1549.40<br>1854.20<br>2159.00            |                        | 222.25                                   | 304.80             | 44.45 | 12.70 | 596.90 | 571.50 | 914.40<br>1219.20<br>1524.00            | 3-4NC     | 457.20<br>762.00<br>1066.80          | 608,041.60 | 5913.64<br>6489.59<br>7065.53            |

**Additional Notes**

Please call 1-866-REXNORD for availability  
 Metric bore sizes available, see Rex Interchangeability guide  
 Lubrication fitting tap size: for size code 5 thru 11, 1/8" PT: for all other size codes, 1/4" PT  
 Bore size = nominal shaft size +.001 in/-.000 in (+0.03 mm/-0.00 mm)  
 Seals - To specify K or M seal, replace "Z" in part number with "K" or "M"  
 "K" seals only available in size codes 5 thru 11  
 Auxiliary end caps - available in all size codes

Allowable working load is 2/3 yield strength  
 For the Selection Guide, Load Ratings and Speed Limits, see the Rex Spherical Roller Bearings Engineering section  
 Note: Dimensions subject to change. Certified dimensions of ordered material furnished on request.

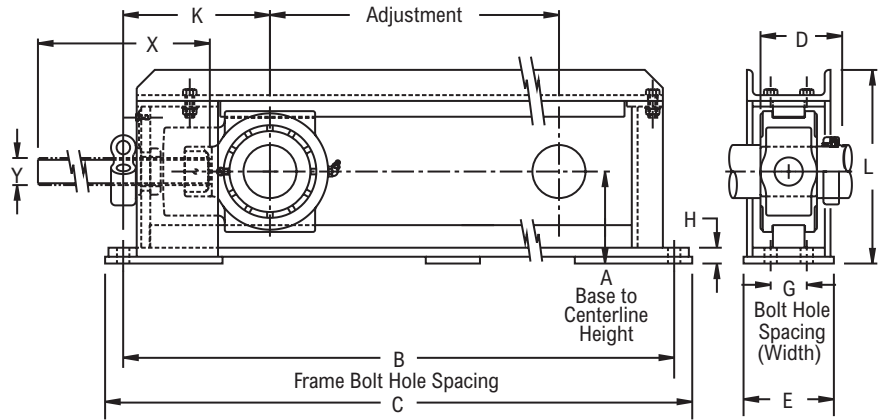
# ZHT6000



Photo Shows a Center Pull Take-up Frame with Spherical Roller Bearing Take-up Unit

## Product Features

- Spyglass™ Optical Strain Sensor (OSS) Technology
- Positive locking system
- Tapered adapter sleeve
- Center pull type frame
- Corrosion-resistant powder coating
- Cast iron housing
- Misalignment capabilities - total of 3°
- Broad range of sealing options
- Factory set clearance & lubrication
- See Features & Benefits for additional info.



## Bearing Dimensions

| Size Code     | Shaft Diameter | Complete Take-up Assembly | Travel Length | A Base to Centerline Height | B Frame Bolt Hole Spacing | G Bolt Hole Spacing (Width) | C       | D       | E      | F     | H      | K       | L       | X         | Y          | Adjust.  | Allowable Working Load | Approx. Weight |
|---------------|----------------|---------------------------|---------------|-----------------------------|---------------------------|-----------------------------|---------|---------|--------|-------|--------|---------|---------|-----------|------------|----------|------------------------|----------------|
| <b>2-Bolt</b> |                |                           |               |                             |                           |                             |         |         |        |       |        |         |         |           |            |          |                        |                |
| 5             | 1 15/16        | ZHT56111                  | 12.000        | 3 15/16                     | 27 1/2                    | -                           | 29 1/2  | 3 41/64 | 4      | 5/8   | 7/8    | 6 9/16  | 8 7/16  | 19 1/2    | 1-8 NC     | 15       | 12,300                 | 59.00 lb       |
|               |                |                           | 18.000        |                             | 33 1/2                    |                             | 35 1/2  |         |        |       |        |         |         | 25 1/2    |            | 21       |                        | 69.00 lb       |
|               |                |                           | 24.000        |                             | 39 1/2                    |                             | 41 1/2  |         |        |       |        |         |         | 31 1/2    |            | 27       |                        | 77.00 lb       |
|               |                |                           | 30.000        |                             | 45 1/2                    |                             | 47 1/2  |         |        |       |        |         |         | 37 1/2    |            | 33       |                        | 86.00 lb       |
|               |                |                           | 36.000        |                             | 51 1/2                    |                             | 53 1/2  |         |        |       |        |         |         | 43 1/2    |            | 39       |                        | 95.00 lb       |
| 6             | 1 15/16        | ZHT66115                  | 12            | 3 15/16                     | 27 1/2                    | -                           | 29 1/2  | 3 41/64 | 4      | 5/8   | 7/8    | 6 9/16  | 8 7/16  | 19 1/2    | 1-8 NC     | 15       | 12,300                 | 59             |
|               |                |                           | 18            |                             | 33 1/2                    |                             | 35 1/2  |         |        |       |        |         |         | 25 1/2    |            | 21       |                        | 69             |
|               |                |                           | 24            |                             | 39 1/2                    |                             | 41 1/2  |         |        |       |        |         |         | 31 1/2    |            | 27       |                        | 77             |
|               |                |                           | 30            |                             | 45 1/2                    |                             | 47 1/2  |         |        |       |        |         |         | 37 1/2    |            | 33       |                        | 86             |
|               |                |                           | 36            |                             | 51 1/2                    |                             | 53 1/2  |         |        |       |        |         |         | 43 1/2    |            | 39       |                        | 95             |
|               | 45 MM          | ZHT66045MM                | 304.80        | 100.01                      | 698.50                    | -                           | 749.30  | 92.47   | 101.60 | 15.88 | 22.22  | 166.70  | 214.31  | 495.30    | 1-8NC      | 381.00   | 54,710.40              | 267.57         |
|               |                |                           | 457.20        |                             | 850.90                    |                             | 901.70  |         |        |       |        |         |         | 647.70    |            | 533.40   |                        | 312.92         |
|               |                |                           | 609.60        |                             | 1003.30                   |                             | 1054.10 |         |        |       |        |         |         | 800.10    |            | 685.80   |                        | 349.20         |
|               |                |                           | 762.00        |                             | 1155.70                   |                             | 1206.50 |         |        |       |        |         |         | 952.50    |            | 838.20   |                        | 390.01         |
|               |                |                           | 914.40        |                             | 1308.10                   |                             | 1358.90 |         |        |       |        |         |         | 1104.90   |            | 990.60   |                        | 430.83         |
| 7             | 2 3/16         | ZHT76203                  | 12            | 4 7/16                      | 27 1/2                    | -                           | 29 1/2  | 3 49/64 | 4      | 5/8   | 1 3/16 | 6 13/16 | 9       | 20        | 1 1/4-7 NC | 15       | 13,000                 | 70             |
|               |                |                           | 18            |                             | 33 1/2                    |                             | 35 1/2  |         |        |       |        |         |         | 26        |            | 21       |                        | 81             |
|               |                |                           | 24            |                             | 39 1/2                    |                             | 41 1/2  |         |        |       |        |         |         | 32        |            | 27       |                        | 90             |
|               |                |                           | 30            |                             | 45 1/2                    |                             | 47 1/2  |         |        |       |        |         |         | 38        |            | 33       |                        | 98             |
|               |                |                           | 36            |                             | 51 1/2                    |                             | 53 1/2  |         |        |       |        |         |         | 44        |            | 39       |                        | 108            |
|               | 55 MM          | ZHT76055MM                | 304.80        | 112.71                      | 698.50                    | -                           | 749.30  | 95.65   | 101.60 | 15.88 | 30.16  | 173.04  | 228.60  | 508.00    | 1 1/4-7NC  | 381.00   | 57,824.00              | 317.45         |
|               |                |                           | 457.20        |                             | 850.90                    |                             | 901.70  |         |        |       |        |         |         | 660.40    |            | 533.40   |                        | 367.34         |
|               |                |                           | 609.60        |                             | 1003.30                   |                             | 1054.10 |         |        |       |        |         |         | 812.80    |            | 685.80   |                        | 408.15         |
|               |                |                           | 762.00        |                             | 1155.70                   |                             | 1206.50 |         |        |       |        |         |         | 965.20    |            | 838.20   |                        | 444.43         |
|               |                |                           | 914.40        |                             | 1308.10                   |                             | 1358.90 |         |        |       |        |         |         | 1117.60   |            | 990.60   |                        | 489.78         |
| 8             | 2 3/8          | ZHT86206                  | 12            | 4 3/8                       | 28 1/2                    | -                           | 30 1/2  | 4 5/32  | 4      | 3/4   | 3/4    | 7 1/2   | 9 3/16  | 20        | 1 1/4-7 NC | 15       | 16,300                 | 77             |
|               |                |                           | 18            |                             | 34 1/2                    |                             | 36 1/2  |         |        |       |        |         |         | 26        |            | 21       |                        | 86             |
|               | 2 7/16         | ZHT86207                  | 24            |                             | 40 1/2                    |                             | 42 1/2  |         |        |       |        |         |         | 32        |            | 27       |                        | 96             |
|               |                |                           | 30            |                             | 46 1/2                    |                             | 48 1/2  |         |        |       |        |         |         | 38        |            | 33       |                        | 107            |
|               |                |                           | 36            |                             | 52 1/2                    |                             | 54 1/2  |         |        |       |        |         |         | 44        |            | 39       |                        | 119            |
| 60 MM         | ZHT86060MM     | 304.80                    | 111.13        | 723.90                      | -                         | 774.70                      | 105.57  | 101.60  | 19.05  | 19.05 | 190.50 | 233.36  | 508.00  | 1 1/4-7NC | 381.00     | 72502.40 | 349.20                 |                |
|               |                | 457.20                    |               | 876.30                      |                           | 927.10                      |         |         |        |       |        |         | 660.40  |           | 533.40     |          | 390.01                 |                |
|               |                | 609.60                    |               | 1028.70                     |                           | 1079.50                     |         |         |        |       |        |         | 812.80  |           | 685.80     |          | 435.36                 |                |
|               |                | 762.00                    |               | 1181.10                     |                           | 1231.90                     |         |         |        |       |        |         | 965.20  |           | 838.20     |          | 485.25                 |                |
|               |                | 914.40                    |               | 1333.50                     |                           | 1384.30                     |         |         |        |       |        |         | 1117.60 |           | 990.60     |          | 539.67                 |                |

Continued...

Continued...

**Bearing Dimensions**

| Size Code     | Shaft Diameter | Complete Take-up Assembly   | Travel Length                 | A Base to Centerline Height | B Frame Bolt Hole Spacing     | G Bolt Hole Spacing (Width) | C                             | D       | E      | F     | H     | K      | L        | X                            | Y          | Adjust.                       | Allowable Working Load | Approx. Weight                |
|---------------|----------------|-----------------------------|-------------------------------|-----------------------------|-------------------------------|-----------------------------|-------------------------------|---------|--------|-------|-------|--------|----------|------------------------------|------------|-------------------------------|------------------------|-------------------------------|
| <b>4-Bolt</b> |                |                             |                               |                             |                               |                             |                               |         |        |       |       |        |          |                              |            |                               |                        |                               |
| 9             | 2 11/16        | ZHT96211                    | 12                            | 5 1/8                       | 30 1/2                        | 2                           | 32 1/2                        | 4 17/32 | 5      | 5/8   | 7/8   | 8 1/8  | 10 3/4   | 21 3/4                       | 1 1/2-6 NC | 16                            | 26,800                 | 128                           |
|               |                |                             | 18                            |                             | 36 1/2                        |                             | 38 1/2                        |         |        |       |       |        |          | 22                           |            | 142                           |                        |                               |
|               | 2 3/4          | ZHT96212                    | 24                            |                             | 42 1/2                        |                             | 44 1/2                        |         |        |       |       |        |          | 28                           |            | 159                           |                        |                               |
|               | 2 15/16        | ZHT96215                    | 30                            | 48 1/2                      | 50 1/2                        | 34                          | 174                           |         |        |       |       |        |          |                              |            |                               |                        |                               |
|               |                |                             | 36                            | 54 1/2                      | 56 1/2                        | 40                          | 191                           |         |        |       |       |        |          |                              |            |                               |                        |                               |
|               | 70 MM          | ZHT96070MM                  | 304.80<br>457.20<br>609.60    | 130.18                      | 774.70<br>927.10<br>1079.50   | 50.80                       | 825.50<br>977.90<br>1130.30   | 115.09  | 127.00 | 15.88 | 22.22 | 166.70 | 206.38   | 552.45<br>704.85<br>857.25   | 1 1/2-6NC  | 406.40<br>558.80<br>711.20    | 119206.40              | 580.48<br>643.97<br>721.07    |
|               | 75 MM          | ZHT96075MM                  | 762.00<br>914.40              |                             | 1231.90<br>1384.30            |                             | 1282.70<br>1435.10            |         |        |       |       |        |          | 1009.65<br>1162.05           |            | 863.60<br>1016.00<br>1168.40  |                        | 863.60<br>901.70<br>1054.10   |
| 10            | 3 3/16         | ZHT106303                   | 12                            | 5 5/8                       | 32                            | 2                           | 34 1/4                        | 5 9/64  | 5      | 3/4   | 7/8   | 8 3/4  | 11 13/16 | 22                           | 1 3/4-5 NC | 16 1/4                        | 27,300                 | 152                           |
|               |                |                             | 18                            |                             | 38                            |                             | 40 1/4                        |         |        |       |       |        |          | 28                           |            | 177                           |                        |                               |
|               |                |                             | 24                            |                             | 44                            |                             | 46 1/4                        |         |        |       |       |        |          | 34                           |            | 186                           |                        |                               |
|               | 3 7/16         | ZHT106307                   | 30                            | 50                          | 52 1/4                        | 40                          | 205                           |         |        |       |       |        |          |                              |            |                               |                        |                               |
|               |                | 36                          | 56                            | 58 1/4                      | 46                            | 224                         |                               |         |        |       |       |        |          |                              |            |                               |                        |                               |
|               | 80 MM          | ZHT106080MM                 | 304.80<br>457.20<br>609.60    | 142.88                      | 812.80<br>965.20<br>1117.60   | 50.80                       | 869.95<br>1022.35<br>1174.75  | 130.57  | 127.00 | 19.05 | 22.22 | 222.25 | 300.04   | 558.80<br>711.20<br>863.60   | 1 3/4-5NC  | 444.50<br>596.90<br>749.30    | 121,430.40             | 689.32<br>802.70<br>843.51    |
|               | 85 MM          | ZHT106085MM                 | 762.00<br>914.40              |                             | 1270.00<br>1422.40            |                             | 1327.15<br>1479.55            |         |        |       |       |        |          | 1016.00<br>1168.40           |            | 901.70<br>1054.10             |                        | 929.68<br>1015.84             |
| 11            | 3 11/16        | ZHT116311                   | 12                            | 7                           | 36                            | 2 1/2                       | 38 1/2                        | 5 31/32 | 6      | 3/4   | 7/8   | 10 5/8 | 14 3/16  | 26                           | 2-4 1/2 NC | 17 1/2                        | 38,400                 | 241                           |
|               |                |                             | 18                            |                             | 42                            |                             | 44 1/2                        |         |        |       |       |        |          | 32                           |            | 270                           |                        |                               |
|               |                |                             | 24                            |                             | 48                            |                             | 50 1/2                        |         |        |       |       |        |          | 38                           |            | 290                           |                        |                               |
|               | 3 15/16        | ZHT116315                   | 30                            | 54                          | 56 1/2                        | 44                          | 311                           |         |        |       |       |        |          |                              |            |                               |                        |                               |
|               |                | 36                          | 60                            | 62 1/2                      | 50                            | 337                         |                               |         |        |       |       |        |          |                              |            |                               |                        |                               |
|               | 100 MM         | ZHT116100MM                 | 304.80<br>457.20<br>609.60    | 177.80                      | 914.40<br>1066.80<br>1219.20  | 63.50                       | 977.90<br>1130.30<br>1282.70  | 151.61  | 152.40 | 19.05 | 22.22 | 269.88 | 360.36   | 660.40<br>812.80<br>965.20   | 2-4 1/2NC  | 444.50<br>596.90<br>749.30    | 170803.20              | 1092.94<br>1224.45<br>1315.15 |
|               |                | 762.00<br>914.40            | 1371.60<br>1524.00            |                             | 1435.10<br>1587.50            |                             | 1117.60<br>1270.00            |         |        |       |       |        |          | 901.70<br>1054.10            |            | 1410.39<br>1528.30            |                        |                               |
| 12            | 4 3/16         | ZHT126403Y                  | 12                            | 7 1/2                       | 40 3/4                        | 5                           | 45 3/4                        | 6 1/4   | 8 7/8  | 1 1/8 | 1     | 12 1/4 | 15 1/2   | 26                           | 2-4 1/2 NC | 19                            | 53,300                 | 331                           |
|               |                |                             | 18                            |                             | 46 3/4                        |                             | 51 3/4                        |         |        |       |       |        |          | 32                           |            | 362                           |                        |                               |
|               |                |                             | 24                            |                             | 52 3/4                        |                             | 57 3/4                        |         |        |       |       |        |          | 38                           |            | 391                           |                        |                               |
|               | 4 7/16         | ZHT126407Y                  | 30                            | 58 3/4                      | 63 3/4                        | 44                          | 410                           |         |        |       |       |        |          |                              |            |                               |                        |                               |
|               |                |                             | 36                            | 64 3/4                      | 69 3/4                        | 50                          | 433                           |         |        |       |       |        |          |                              |            |                               |                        |                               |
|               |                | 42                          | 70 3/4                        | 75 3/4                      | 56                            | 461                         |                               |         |        |       |       |        |          |                              |            |                               |                        |                               |
|               | 110 MM         | ZHT126110MM                 | 304.80<br>457.20<br>609.60    | 190.50                      | 1035.05<br>1187.45<br>1339.85 | 127.00                      | 1111.25<br>1314.45<br>1466.85 | 158.75  | 225.43 | 28.58 | 25.40 | 309.88 | 393.70   | 660.40<br>812.80<br>965.20   | 2-4 1/2NC  | 482.60<br>635.00<br>787.40    | 237,078.40             | 1501.09<br>1641.67<br>1773.19 |
|               |                | 762.00<br>914.40<br>1066.80 | 1492.25<br>1644.65<br>1797.05 |                             | 1619.25<br>1009.65<br>1924.05 |                             | 1270.00<br>1422.40            |         |        |       |       |        |          | 939.80<br>1092.20<br>1244.60 |            | 1859.35<br>1963.66<br>2090.64 |                        |                               |

Continued...

**Bearing Dimensions**

| Size Code                 | Shaft Diameter | Complete Take-up Assembly | Travel Length   | A Base to Centerline Height | B Frame Bolt Hole Spacing                                      | G Bolt Hole Spacing (Width) | C  | D       | E      | F     | H     | K      | L      | X   | Y                  | Adjust.  | Allowable Working Load | Approx. Weight   |
|---------------------------|----------------|---------------------------|---|-----------------------------|--|-----------------------------|--|---------|--------|-------|-------|--------|--------|---|--------------------|--|------------------------|--|
| <b>4-Bolt (continued)</b> |                |                           |   |                             |  |                             |  |         |        |       |       |        |        |   |                    |  |                        |  |
| 13                        | 4 15/16        | ZHT136415                 | 12<br>18<br>24<br>30<br>36<br>42                          | 8 1/8                       | 44 1/2<br>50 1/2<br>56 1/2<br>62 1/2<br>68 1/2<br>74 1/2       | 5 1/2                       | 49 1/2<br>55 1/2<br>61 1/2<br>67 1/2<br>73 1/2<br>79 1/2       | 7 15/16 | 9 7/8  | 1 1/8 | 1     | 13 1/2 | 16 3/4 | 29<br>35<br>41<br>47<br>53<br>59                              | 2 1/4-<br>4 1/2 NC | 20 1/4<br>26 1/4<br>32 1/4<br>38 1/4<br>44 1/4<br>50 1/4   | 68,000                 | 440<br>460<br>496<br>527<br>555<br>587                         |
|                           | 125 MM         | ZHT136125MM               | 304.80<br>457.20<br>609.60<br>762.00<br>914.40<br>1066.80 | 206.37                      | 1130.30<br>1282.70<br>1435.10<br>1587.50<br>1739.90<br>1892.30 | 139.70                      | 1257.30<br>1409.70<br>1562.10<br>1714.50<br>1866.90<br>2019.30 | 198.44  | 250.83 | 28.50 | 25.40 | 342.90 | 171.45 | 745.49<br>1041.40<br>1193.80<br>1361.19<br>1866.90<br>2019.30 | 2-4<br>1/2NC       | 514.35<br>666.75<br>819.15<br>971.55<br>1123.95<br>1276.35 | 302,464.00             | 1995.40<br>2086.10<br>2249.36<br>2389.95<br>2516.93<br>2662.05 |

**Additional Notes**

Please call 1-866-REXNORD for availability  
 Lubrication fitting tap size: for size code 6 thru 11, 1/8" PT; for all other size codes, 1/4" PT  
 Seals - To specify K or M seal, replace "Z" in part number with "K" or "M"  
 "K" seals only available in size codes 6 thru 11  
 Auxiliary end caps - available in all size codes  
 Allowable working load is 2/3 yield strength

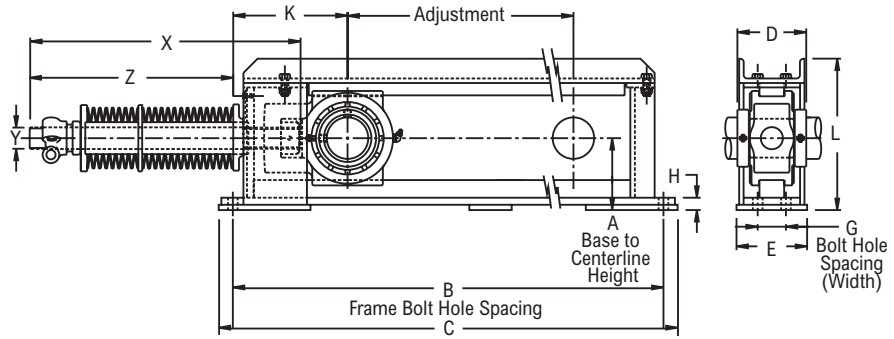
For the Selection Guide, Load Ratings and Speed Limits, see the Rex Spherical Roller Bearings Engineering section  
 Note: Dimensions subject to change. Certified dimensions of ordered material furnished on request.



Photo Shows a Center Pull Spring Loaded Take-up Frame with Spherical Roller Bearing Take-up Unit

**Product Features**

- Center pull type spring loaded frame
- Corrosion-resistant powder coating
- Cast iron housing
- Misalignment capabilities - total of 3°
- Broad range of sealing options
- Factory set clearance & lubrication
- Precision ground & superfinished raceways
- Field interchangeable seals
- See Features & Benefits for additional info.



**Bearing Dimensions**

| Size Code     | Shaft Diameter | Part Number   | A       | B        | C        | D       | E      | F     | G     | H      | K       | L        | X      | Y           | Z        | Working Load Inches of Spring Deflection |       |       | Allowable Working Load | Approx. Weight |        |        |          |        |        |       |       |       |        |        |        |             |          |     |       |       |        |       |
|---------------|----------------|---------------|---------|----------|----------|---------|--------|-------|-------|--------|---------|----------|--------|-------------|----------|--|-------|-------|------------------------|----------------|--------|--------|----------|--------|--------|-------|-------|-------|--------|--------|--------|-------------|----------|-----|-------|-------|--------|-------|
|               |                |               |         |          |          |         |        |       |       |        |         |          |        |             |          | 1  | 3     | 5     |                        |                |        |        |          |        |        |       |       |       |        |        |        |             |          |     |       |       |        |       |
| <b>2-Bolt</b> |                |               |         |          |          |         |        |       |       |        |         |          |        |             |          |  |       |       |                        |                |        |        |          |        |        |       |       |       |        |        |        |             |          |     |       |       |        |       |
| 5             | 1 1/2          | ZST5510818    | 3 15/16 | 33 1/2   | 35 1/2   | 3 13/16 | 4      | 5/8   | -     | 7/8    | 6 9/16  | 8 7/16   | 43     | 1-8 NC      | 39       | 870                                      | 1,800 | 3,400 | 12,300                 | 69.00          |        |        |          |        |        |       |       |       |        |        |        |             |          |     |       |       |        |       |
|               | 1 11/16        | ZST5511118    |         |          |          |         |        |       |       |        |         |          |        |             |          |  |       |       |                        |                |        |        |          |        |        |       |       |       |        |        |        |             |          |     |       |       |        |       |
|               | 40.00          | ZHT55040MM18  |         |          |          |         |        |       |       |        |         |          |        |             |          |  |       |       |                        |                | 100.01 | 851.00 | 902.00   | 96.84  | 101.60 | 16.00 | -     | 22.23 | 166.69 | 214.31 | 648.00 | 1-8 NC      | 990.60   | 395 | 816   | 1,540 | 5,580  | 31.00 |
|               | 45.00          | ZHT55045MM18  |         |          |          |         |        |       |       |        |         |          |        |             |          |  |       |       |                        |                |        |        |          |        |        |       |       |       |        |        |        |             |          |     |       |       |        |       |
| 6             | 1 15/16        | ZST6511518    | 3 15/16 | 33 1/2   | 35 1/2   | 3 13/16 | 4      | 5/8   | -     | 7/8    | 6 9/16  | 8 7/16   | 43     | 1-8 NC      | 39       | 870                                      | 1,800 | 3,400 | 12,300                 | 69.00          |        |        |          |        |        |       |       |       |        |        |        |             |          |     |       |       |        |       |
|               | 50.00          | ZHT65050MM18  |         |          |          |         |        |       |       |        |         |          |        |             |          |  |       |       |                        |                | 100.01 | 851.00 | 902.00   | 96.84  | 101.60 | 16.00 | -     | 22.23 | 166.69 | 214.31 | 648.00 | 1-8 NC      | 990.60   | 395 | 816   | 1,540 | 5,580  | 31.00 |
| 7             | 2              | ZST7520018    | 4 7/16  | 33 1/2   | 35 1/2   | 4 1/8   | 4      | 5/8   | -     | 1 3/16 | 6 13/16 | 9        | 43     | 1 1/4 -7 NC | 39       | 870                                      | 1,800 | 3,400 | 13,000                 | 81.00          |        |        |          |        |        |       |       |       |        |        |        |             |          |     |       |       |        |       |
|               | 2 3/16         | ZST7520318    |         |          |          |         |        |       |       |        |         |          |        |             |          |  |       |       |                        |                |        |        |          |        |        |       |       |       |        |        |        |             |          |     |       |       |        |       |
|               | 55.00          | ZHT75055MM18  |         |          |          |         |        |       |       |        |         |          |        |             |          |  |       |       |                        |                | 112.71 | 851.00 | 902.00   | 104.78 | 101.60 | 16.00 | -     | 30.16 | 173.04 | 228.60 | 660.00 | 1 1/4 -7 NC | 990.60   | 395 | 816   | 1,540 | 5,890  | 37.00 |
| 8             | 2 7/16         | ZST8520718    | 4 3/8   | 34 1/2   | 36 1/2   | 4 3/8   | 4      | 3/4   | -     | 3/4    | 7 1/2   | 9 3/16   | 43     | 1 1/4 -7 NC | 39       | 870                                      | 1,800 | 3,400 | 16,300                 | 86.00          |        |        |          |        |        |       |       |       |        |        |        |             |          |     |       |       |        |       |
|               | 60.00          | ZHT85060MM18  |         |          |          |         |        |       |       |        |         |          |        |             |          |  |       |       |                        |                | 111.13 | 876.00 | 927.00   | 111.13 | 101.60 | 19.00 | -     | 19.05 | 190.50 | 233.36 | 660.00 | 1 1/4 -7 NC | 990.60   | 395 | 816   | 1,540 | 7,390  | 39.00 |
|               | 65.00          | ZHT85065MM18  |         |          |          |         |        |       |       |        |         |          |        |             |          |  |       |       |                        |                |        |        |          |        |        |       |       |       |        |        |        |             |          |     |       |       |        |       |
| <b>4-Bolt</b> |                |               |         |          |          |         |        |       |       |        |         |          |        |             |          |  |       |       |                        |                |        |        |          |        |        |       |       |       |        |        |        |             |          |     |       |       |        |       |
| 9             | 2 1/2          | ZST9520818    | 5 1/8   | 36 1/2   | 38 1/2   | 4 7/8   | 5      | 5/8   | 2     | 7/8    | 8 1/8   | 10 3/4   | 45     | 1 1/2-6 NC  | 40 1/4   | 1,300                                    | 3,400 | 5,250 | 26,800                 | 142.00         |        |        |          |        |        |       |       |       |        |        |        |             |          |     |       |       |        |       |
|               | 2 11/16        | ZST9521118    |         |          |          |         |        |       |       |        |         |          |        |             |          |  |       |       |                        |                |        |        |          |        |        |       |       |       |        |        |        |             |          |     |       |       |        |       |
|               | 2 15/16        | ZST9521518    |         |          |          |         |        |       |       |        |         |          |        |             |          |  |       |       |                        |                |        |        |          |        |        |       |       |       |        |        |        |             |          |     |       |       |        |       |
|               | 70.00          | ZHT95070MM18  |         |          |          |         |        |       |       |        |         |          |        |             |          |  |       |       |                        |                | 130.18 | 927.00 | 978.00   | 123.83 | 127.00 | 16.00 | 50.80 | 22.23 | 206.38 | 273.05 | 705.00 | 1 1/2-6 NC  | 1,022.35 | 590 | 1,540 | 2,380 | 12,150 | 65.00 |
|               | 75.00          | ZHT95075MM18  |         |          |          |         |        |       |       |        |         |          |        |             |          |  |       |       |                        |                |        |        |          |        |        |       |       |       |        |        |        |             |          |     |       |       |        |       |
| 10            | 3 3/16         | ZST10530318   | 5 5/8   | 38       | 40 1/4   | 5 5/16  | 5      | 3/4   | 2     | 7/8    | 8 3/4   | 11 13/16 | 45     | 1 3/4-5 NC  | 40 1/4   | 1,800                                    | 3,700 | 6,800 | 27,300                 | 177.00         |        |        |          |        |        |       |       |       |        |        |        |             |          |     |       |       |        |       |
|               | 3 7/16         | ZST10530718   |         |          |          |         |        |       |       |        |         |          |        |             |          |  |       |       |                        |                |        |        |          |        |        |       |       |       |        |        |        |             |          |     |       |       |        |       |
|               | 80.00          | ZHT105080MM18 |         |          |          |         |        |       |       |        |         |          |        |             |          |  |       |       |                        |                | 142.88 | 965.00 | 1,022.00 | 134.94 | 127.00 | 19.00 | 50.80 | 22.23 | 222.25 | 300.04 | 711.00 | 1 3/4-5 NC  | 1,022.35 | 816 | 1,680 | 3,080 | 12,380 | 80.00 |
|               | 90.00          | ZHT105090MM18 |         |          |          |         |        |       |       |        |         |          |        |             |          |  |       |       |                        |                |        |        |          |        |        |       |       |       |        |        |        |             |          |     |       |       |        |       |
| 11            | 3 11/16        | ZST11531118   | 7       | 42       | 44 1/2   | 6 1/8   | 6      | 3/4   | 2 1/2 | 7/8    | 10 5/8  | 14 3/16  | 48 1/2 | 2-4 1/2 NC  | 41       | 2,600                                    | 5,200 | 9,400 | 38,400                 | 270.00         |        |        |          |        |        |       |       |       |        |        |        |             |          |     |       |       |        |       |
|               | 3 15/16        | ZST11531518   |         |          |          |         |        |       |       |        |         |          |        |             |          |  |       |       |                        |                |        |        |          |        |        |       |       |       |        |        |        |             |          |     |       |       |        |       |
|               | 4              | ZST11540018   |         |          |          |         |        |       |       |        |         |          |        |             |          |  |       |       |                        |                |        |        |          |        |        |       |       |       |        |        |        |             |          |     |       |       |        |       |
|               | 100.00         | ZHT115100MM18 | 177.80  | 1,067.00 | 1,130.00 | 155.58  | 152.40 | 19.00 | 63.50 | 22.23  | 269.88  | 360.36   | 812.00 | 2-4 1/2 NC  | 1,041.40 | 1,180                                    | 2,350 | 4,260 | 17,410                 | 123.00         |        |        |          |        |        |       |       |       |        |        |        |             |          |     |       |       |        |       |
| 12            | 4 3/16         | ZST125403Y18  | 7 1/2   | 46 3/4   | 51 3/4   | 6 1/4   | 8 7/8  | 1 1/8 | 5     | 1      | 12 1/4  | 15 1/2   | 48 1/2 | 2-4 1/2 NC  | 41       | 2,600                                    | 5,200 | 9,400 | 53,300                 | 362.00         |        |        |          |        |        |       |       |       |        |        |        |             |          |     |       |       |        |       |
|               | 4 7/16         | ZST125407Y18  |         |          |          |         |        |       |       |        |         |          |        |             |          |  |       |       |                        |                |        |        |          |        |        |       |       |       |        |        |        |             |          |     |       |       |        |       |

Continued...

Continued...

## Bearing Dimensions

| Size Code | Shaft Diameter | Part Number   | A      | B        | C        | D      | E      | F     | G      | H     | K      | L      | X      | Y              | Z        | Working Load Inches of Spring Deflection |        |        | Allowable Working Load | Approx. Weight |
|-----------|----------------|---------------|--------|----------|----------|--------|--------|-------|--------|-------|--------|--------|--------|----------------|----------|--|--------|--------|------------------------|----------------|
|           |                |               |        |          |          |        |        |       |        |       |        |        |        |                |          | 1  | 3      | 5      |                        |                |
| 12        | 110.00         | ZHT125110MM18 | 190.50 | 1,187.00 | 1,314.00 | 158.75 | 225.43 | 28.00 | 127.00 | 25.40 | 311.15 | 393.70 | 813.00 | 2-4 1/2 NC     | 1,041.40 | 1,180                                    | 2,350  | 4,260  | 24,170                 | 164.00         |
|           | 115.00         | ZHT125115MM18 |        |          |          |        |        |       |        |       |        |        |        |                |          |  |        |        |                        |                |
| 13        | 4 15/16        | ZST13541518   | 8 1/8  | 50 1/2   | 55 1/2   | 7 7/8  | 9 7/8  | 1 1/8 | 5 1/2  | 1     | 13 1/2 | 16 3/4 | 52     | 2 1/4-4 1/2 NC | 45 1/2   | 1,180                                    | 2,350  | 4,260  | 68,000                 | 460.00         |
|           | 5              | ZST13550018   |        |          |          |        |        |       |        |       |        |        |        |                |          | 4,475                                    | 11,200 | 18,000 |                        |                |
|           | 125.00         | ZHT135125MM18 | 206.38 | 1,283.00 | 1,410.00 | 200.03 | 250.83 | 28.00 | 139.70 | 25.40 | 342.90 | 425.45 | 889.00 | 2 1/4-4 1/2 NC | 1,155.70 | 2,030                                    | 5,080  | 8,160  | 30,800                 | 209.00         |
|           | 130.00         | ZHT135130MM18 |        |          |          |        |        |       |        |       |        |        |        |                |          |  |        |        |                        |                |

## Additional Notes

Please call 1-866-REXNORD for availability  
 Metric bore sizes available, see Rex Interchangeability guide  
 Lubrication fitting tap size: for size code 5 thru 11, 1/8" PT; for all other size codes, 1/4" PT  
 Bore size = nominal shaft size +.001 in/-.000 in (+0.03 mm/-0.00 mm)  
 Seals - To specify K or M seal, replace "Z" in part number with "K" or "M"  
 "K" seals only available in size codes 5 thru 11  
 Auxiliary end caps - available in all size codes

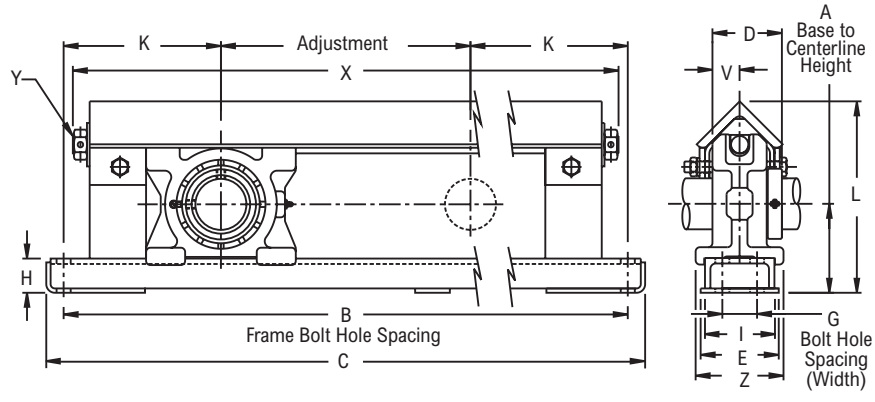
Allowable frame load is 2/3 yield strength  
 For the Selection Guide, Load Ratings and Speed Limits, see the Rex Spherical Roller Bearings Engineering section  
 Note: Dimensions subject to change. Certified dimensions of ordered material furnished on request.



Photo Shows a Protected Screw Type Take-up Frame with Spherical Roller Bearing Take-up Unit

**Product Features**

- Protected screw type frame
- Corrosion-resistant powder coating
- Cast iron housing
- Misalignment capabilities - total of 3°
- Broad range of sealing options
- Factory set clearance & lubrication
- Precision ground & superfinished raceways
- Field interchangeable seals
- See Features & Benefits for additional info.



**Bearing Dimensions**

| Size Code     | Shaft Diameter | Complete Take-up Assembly | Travel Length                                  | A Base to Centerline Height | B Frame Bolt Hole Spacing  | G Bolt Hole Spacing (Width)                       | C                          | D      | E     | F   | H     | I | K     | L       | V      | X   | Y          | Z       | Adjust.   | Allowable Working Load | Approx. Weight                                 |
|---------------|----------------|---------------------------|--|-----------------------------|----------------------------|---|----------------------------|--------|-------|-----|-------|---|-------|---------|--------|---|------------|---------|---|------------------------|--|
| <b>2-Bolt</b> |                |                           |  |                             |                            |   |                            |        |       |     |       |   |       |         |        |   |            |         |   |                        |  |
| 6             | 1 15/16        | ZNT62115                  | 12<br>18<br>24                                 | 3 15/16                     | 26 1/2<br>32 1/2<br>38 1/2 | -   | 28 1/2<br>34 1/2<br>40 1/2 | 3 1/8  | 3 1/2 | 5/8 | 1 3/4 | 3 | 7 1/4 | 8 1/4   | 1 7/32 | 25 3/8<br>31 3/8<br>37 3/8  | 3/4 - 10NC | 3 13/16 | 12<br>18<br>24                                    | 3,000                  | 45<br>50<br>56                                 |
|               | 2              | ZNT62200                  | 30<br>36                                       |                             | 44 1/2<br>50 1/2           | 46 1/2<br>52 1/2                                  | 43 3/8<br>49 3/8           |        |       |     |       |   |       |         |        | 30<br>36  |            |         | 63<br>70  |                        |  |
|               | 50 MM          | ZNT62050MM                | 304.80<br>457.20<br>609.60<br>762.00<br>914.40 |                             | 100.01                     | 673.10<br>825.50<br>977.90<br>1130.30<br>1282.70  | -                          |        |       |     |       |   |       |         |        | 1028.70<br>79.38<br>88.90<br>15.88<br>44.45<br>76.20<br>184.15<br>209.55<br>30.96 |            |         | 644.53<br>796.93<br>949.33<br>1101.73<br>1254.13  |                        | 304.80<br>457.20<br>609.60<br>762.00<br>914.40 |
| 7             | 2 3/16         | ZNT72203                  | 12<br>18<br>24                                 | 4 3/16                      | 27 1/2<br>33 1/2<br>39 1/2 | -   | 29 1/2<br>35 1/2<br>41 1/2 | 3 5/16 | 3 1/2 | 5/8 | 1 3/4 | 3 | 7 3/4 | 8 11/16 | 1 9/32 | 26 3/8<br>32 3/8<br>38 3/8  | 3/4 - 10NC | 3 13/16 | 12<br>18<br>24                                    | 3,600                  | 49<br>54<br>66                                 |
|               | 2 1/4          | ZNT72204                  | 30<br>36                                       |                             | 45 1/2<br>51 1/2           | 47 1/2<br>53 1/2                                  | 44 3/8<br>50 3/8           |        |       |     |       |   |       |         |        | 30<br>36  |            |         | 73<br>78  |                        |  |
|               | 55 MM          | ZNT72055MM                | 304.80<br>457.20<br>609.60<br>762.00<br>914.40 |                             | 106.36                     | 698.50<br>850.90<br>1003.30<br>1155.70<br>1308.10 | -                          |        |       |     |       |   |       |         |        | 1054.10<br>84.14<br>88.90<br>15.88<br>44.45<br>76.20<br>196.85<br>220.66<br>32.54 |            |         | 669.93<br>822.33<br>974.73<br>1127.13<br>1279.53  |                        | 304.80<br>457.20<br>609.60<br>762.00<br>914.40 |
| 8             | 2 3/8          | ZNT82206                  | 12<br>18<br>24                                 | 4 3/8                       | 28 1/2<br>34 1/2<br>40 1/2 | -   | 30 1/2<br>36 1/2<br>42 1/2 | 3 1/2  | 3 1/2 | 3/4 | 1 3/4 | 3 | 8 1/4 | 9 1/8   | 1 5/16 | 27 3/4<br>33 3/4<br>39 3/4  | 7/8 - 9NC  | 3 15/16 | 12<br>18<br>24                                    | 4,400                  | 59<br>63<br>74                                 |
|               | 2 7/16         | ZNT82207                  | 30<br>36                                       |                             | 46 1/2<br>52 1/2           | 48 1/2<br>54 1/2                                  | 45 3/4<br>51 3/4           |        |       |     |       |   |       |         |        | 30<br>36  |            |         | 79<br>85  |                        |  |
|               | 2 1/2          | ZNT82208                  | 304.80<br>457.20<br>609.60<br>762.00<br>914.40 |                             | 111.13                     | 723.90<br>876.30<br>1028.70<br>1181.10<br>1333.50 | -                          |        |       |     |       |   |       |         |        | 1079.50<br>88.90<br>88.90<br>19.05<br>44.45<br>76.20<br>209.55<br>231.78<br>33.34 |            |         | 704.85<br>857.25<br>1009.65<br>1162.05<br>1314.45 |                        | 304.80<br>457.20<br>609.60<br>762.00<br>914.40 |
| <b>4-Bolt</b> |                |                           |  |                             |                            |   |                            |        |       |     |       |   |       |         |        |   |            |         |   |                        |  |
| 9             | 331.06         | ZNT92211                  | 12<br>18                                       | 5 1/8                       | 30 1/2<br>36 1/2           | 2   | 32 1/2<br>38 1/2           | 4      | 4 1/2 | 3/4 | 2     | 4 | 9 1/4 | 10 5/8  | 1 9/16 | 30<br>36  | 1 - 8NC    | 5 1/16  | 12<br>18  | 6,800                  | 85<br>93                                       |
|               | 353.73         | ZNT92215                  | 24<br>30                                       |                             | 42 1/2<br>48 1/2           |   | 44 1/2<br>50 1/2           |        |       |     |       |   |       |         |        | 42<br>48  |            |         | 24<br>30  |                        | 113<br>120                                     |
|               | 3              | ZNT92300                  | 36   |                             | 54 1/2                     |   | 56 1/2                     |        |       |     |       |   |       |         |        | 54  |            |         | 36  |                        | 128  |

Continued...

Continued...

**Bearing Dimensions**

| Size Code | Shaft Diameter | Complete Take-up Assembly | Travel Length              | A Base to Centerline Height | B Frame Bolt Hole Spacing     | G Bolt Hole Spacing (Width) | C                             | D                  | E      | F     | H     | I      | K      | L      | V       | X                             | Y         | Z      | Adjust.          | Allowable Working Load | Approx. Weight             |                             |
|-----------|----------------|---------------------------|----------------------------|-----------------------------|-------------------------------|-----------------------------|-------------------------------|--------------------|--------|-------|-------|--------|--------|--------|---------|-------------------------------|-----------|--------|------------------|------------------------|----------------------------|-----------------------------|
| 9         | 70 MM          | ZNT92070MM                | 304.80<br>457.20<br>609.60 | 130.18                      | 774.70<br>927.10              | 50.80                       | 825.50<br>977.90              | 101.60             | 114.30 | 19.05 | 50.80 | 101.60 | 234.95 | 269.88 | 39.69   | 762.00<br>914.40              | 1-8NC     |        | 304.80<br>457.20 | 30246.40               | 385.48<br>421.76           |                             |
|           | 75 MM          | ZNT92075MM                | 762.00<br>914.40           |                             | 1079.50<br>1231.90<br>1384.30 |                             | 1130.30<br>1282.70<br>1435.10 |                    |        |       |       |        |        |        |         | 1066.80<br>1219.20<br>1371.60 |           |        |                  |                        | 609.60<br>762.00<br>914.40 | 544.20<br>580.48            |
| 10        | 3 3/16         | ZNT102303                 | 12<br>18                   | 5 5/8                       | 32<br>38                      | 2                           | 34 1/4<br>40 1/4              | 4 3/8              | 4 1/2  | 3/4   | 2     | 4      | 10     | 11 3/4 | 1 23/32 | 32<br>38                      | 1 1/8-7NC | 5 3/16 | 12<br>18         | 8,400                  | 118<br>127                 |                             |
|           | 3 7/16         | ZNT102307                 | 24<br>30                   |                             | 44<br>50                      |                             | 46 1/4<br>52 1/4              |                    |        |       |       |        |        |        |         | 44<br>50                      |           |        |                  |                        | 24<br>30                   | 145<br>154                  |
|           | 3 1/2          | ZNT102308                 | 36                         |                             | 56                            |                             | 58 1/4                        |                    |        |       |       |        |        |        |         | 56                            |           |        |                  |                        | 36                         | 166                         |
|           | 80 MM          | ZNT102080MM               | 304.80<br>457.20<br>609.60 |                             | 812.80<br>965.20<br>1117.60   |                             | 869.95<br>1022.35<br>1174.75  |                    |        |       |       |        |        |        |         | 812.80<br>965.20<br>1117.60   |           |        |                  |                        | 609.60<br>762.00           | 535.13<br>575.95<br>657.58  |
| 85 MM     | ZNT102085MM    | 762.00<br>914.40          | 1270.00<br>1422.40         | 1327.15<br>1479.55          | 1270.00<br>1422.40            | 762.00<br>914.40            | 698.39<br>752.81              |                    |        |       |       |        |        |        |         |                               |           |        |                  |                        |                            |                             |
| 11        | 3 11/16        | ZNT112311                 | 12<br>18                   | 7                           | 36<br>42                      | 2 1/2                       | 38 1/2<br>44 1/2              | 5 3/16             | 5 1/2  | 3/4   | 2 1/4 | 5      | 12     | 14 1/2 | 2 1/16  | 36 5/16<br>42 5/16            | 1 1/4-7NC | 6 3/8  | 12<br>18         | 15,600                 | 209<br>217                 |                             |
|           | 3 15/16        | ZNT112315                 | 24<br>30                   |                             | 48<br>54                      |                             | 50 1/2<br>56 1/2              |                    |        |       |       |        |        |        |         | 48 5/16<br>54 5/16            |           |        |                  |                        | 24<br>30                   | 249<br>269                  |
|           | 4              | ZNT112400                 | 36                         |                             | 60                            |                             | 62 1/2                        |                    |        |       |       |        |        |        |         | 60 5/16                       |           |        |                  |                        | 36                         | 279                         |
|           | 100 MM         | ZNT112100MM               | 304.80<br>457.20<br>609.60 |                             | 914.40<br>1066.80<br>1219.20  |                             | 977.90<br>1130.30<br>1282.70  |                    |        |       |       |        |        |        |         | 922.35<br>1074.75<br>1227.15  |           |        |                  |                        | 609.60<br>762.00           | 947.82<br>984.10<br>1129.22 |
|           |                |                           | 762.00<br>914.40           | 1371.60<br>1524.00          | 1435.10<br>1587.50            | 1379.55<br>1531.95          | 762.00<br>914.40              | 1219.92<br>1265.27 |        |       |       |        |        |        |         |                               |           |        |                  |                        |                            |                             |

**Additional Notes**

Please call 1-866-REXNORD for availability  
 Metric bore sizes available, see Rex Interchangeability guide  
 Lubrication fitting tap size, 1/8 PT  
 Bore size = nominal shaft size +.001 in/-.000 in (+0.03 mm/-0.00 mm)  
 Seals - To specify K or M seal, replace "Z" in part number with "K" or "M"  
 Auxiliary end caps - available in all size codes  
 Allowable working load is 2/3 yield strength

For the Selection Guide, Load Ratings and Speed Limits, see the Rex Spherical Roller Bearings Engineering section  
 Note: Dimensions subject to change. Certified dimensions of ordered material furnished on request.

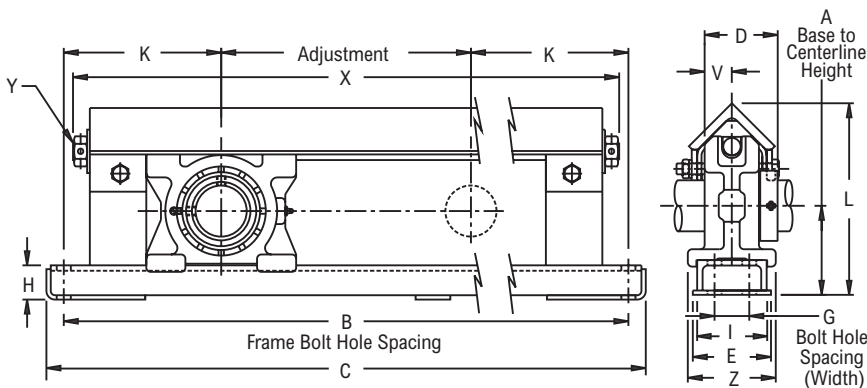




Photo Shows a Protected Screw Type Take-up Frame with Spherical Roller Bearing Take-up Unit

**Product Features**

- Protected screw type frame
- Corrosion-resistant powder coating
- Cast iron housing
- Misalignment capabilities - total of 3°
- Broad range of sealing options
- Factory set clearance & lubrication
- Precision ground & superfinished raceways
- Field interchangeable seals
- See Features & Benefits for additional info.



**Bearing Dimensions**

| Size Code     | Shaft Diameter | Complete Take-up Assembly | Travel Length | A Base to Centerline Height | B Frame Bolt Hole Spacing | G Bolt Hole Spacing (Width) | C      | D       | E     | F   | H     | I | K     | L       | V       | X       | Y          | Z       | Adjust. | Allowable Working Load | Approx. Weight |
|---------------|----------------|---------------------------|---------------|-----------------------------|---------------------------|-----------------------------|--------|---------|-------|-----|-------|---|-------|---------|---------|---------|------------|---------|---------|------------------------|----------------|
| <b>2-Bolt</b> |                |                           |               |                             |                           |                             |        |         |       |     |       |   |       |         |         |         |            |         |         |                        |                |
| 6             | 1 15/16        | ZNT63115                  | 12            | 3 15/16                     | 26 1/2                    | -                           | 28 1/2 | 3 9/32  | 3 1/2 | 5/8 | 1 3/4 | 3 | 7 1/4 | 8 1/4   | 1 7/32  | 25 3/8  | 3/4-10 NC  | 3 13/16 | 12      | 3,000                  | 45             |
|               |                |                           | 18            |                             | 32 1/2                    |                             | 34 1/2 |         |       |     |       |   |       |         |         | 31 3/8  |            |         | 18      |                        | 50             |
|               |                |                           | 24            |                             | 38 1/2                    |                             | 40 1/2 |         |       |     |       |   |       |         |         | 37 3/8  |            |         | 24      |                        | 56             |
|               |                |                           | 30            |                             | 44 1/2                    |                             | 46 1/2 |         |       |     |       |   |       |         |         | 43 3/8  |            |         | 30      |                        | 63             |
|               |                |                           | 36            |                             | 50 1/2                    |                             | 52 1/2 |         |       |     |       |   |       |         |         | 49 3/8  |            |         | 36      |                        | 70             |
| 7             | 2 3/16         | ZNT73203                  | 12            | 4 3/16                      | 27 1/2                    | -                           | 29 1/2 | 3 1/2   | 3 1/2 | 5/8 | 1 3/4 | 3 | 7 3/4 | 8 11/16 | 1 9/32  | 26 3/8  | 3/4-10 NC  | 3 13/16 | 12      | 3,600                  | 49             |
|               |                |                           | 18            |                             | 33 1/2                    |                             | 35 1/2 |         |       |     |       |   |       |         |         | 32 3/8  |            |         | 18      |                        | 54             |
|               |                |                           | 24            |                             | 39 1/2                    |                             | 41 1/2 |         |       |     |       |   |       |         |         | 38 3/8  |            |         | 24      |                        | 66             |
|               |                |                           | 30            |                             | 45 1/2                    |                             | 47 1/2 |         |       |     |       |   |       |         |         | 44 3/8  |            |         | 30      |                        | 73             |
|               |                |                           | 36            |                             | 51 1/2                    |                             | 53 1/2 |         |       |     |       |   |       |         |         | 50 3/8  |            |         | 36      |                        | 78             |
| 8             | 2 7/16         | ZNT83207                  | 12            | 4 3/8                       | 28 1/2                    | -                           | 30 1/2 | 3 21/32 | 3 1/2 | 3/4 | 1 3/4 | 3 | 8 1/4 | 9 1/8   | 1 5/16  | 27 3/4  | 7/8-9 NC   | 3 15/16 | 12      | 4,400                  | 59             |
|               |                |                           | 18            |                             | 34 1/2                    |                             | 36 1/2 |         |       |     |       |   |       |         |         | 33 3/4  |            |         | 18      |                        | 63             |
|               |                |                           | 24            |                             | 40 1/2                    |                             | 42 1/2 |         |       |     |       |   |       |         |         | 39 3/4  |            |         | 24      |                        | 74             |
|               | 2 1/2          | ZNT83208                  | 30            |                             | 46 1/2                    |                             | 48 1/2 |         |       |     |       |   |       |         |         | 45 3/4  |            |         | 30      |                        | 79             |
|               |                |                           | 36            |                             | 52 1/2                    |                             | 54 1/2 |         |       |     |       |   |       |         |         | 51 3/4  |            |         | 36      |                        | 85             |
| <b>4-Bolt</b> |                |                           |               |                             |                           |                             |        |         |       |     |       |   |       |         |         |         |            |         |         |                        |                |
| 9             | 2 11/16        | ZNT93211                  | 12            | 5 1/8                       | 30 1/2                    | 2                           | 32 1/2 | 4 13/64 | 4 1/2 | 3/4 | 2     | 4 | 9 1/4 | 10 5/8  | 1 9/16  | 30      | 1-8 NC     | 5 1/16  | 12      | 6,800                  | 85             |
|               |                |                           | 18            |                             | 36 1/2                    |                             | 38 1/2 |         |       |     |       |   |       |         |         | 36      |            |         | 18      |                        | 93             |
|               |                |                           | 24            |                             | 42 1/2                    |                             | 44 1/2 |         |       |     |       |   |       |         |         | 42      |            |         | 24      |                        | 113            |
|               | 2 15/16        | ZNT93215                  | 30            |                             | 48 1/2                    |                             | 50 1/2 |         |       |     |       |   |       |         |         | 48      |            |         | 30      |                        | 120            |
|               |                |                           | 36            |                             | 54 1/2                    |                             | 56 1/2 |         |       |     |       |   |       |         |         | 54      |            |         | 36      |                        | 128            |
| 10            | 3 7/16         | ZNT103307                 | 12            | 5 5/8                       | 32                        | 2                           | 34 1/4 | 4 37/64 | 4 1/2 | 3/4 | 2     | 4 | 10    | 11 3/4  | 1 23/32 | 32      | 1 1/8-7 NC | 5 3/16  | 12      | 8,400                  | 118            |
|               |                |                           | 18            |                             | 38                        |                             | 40 1/4 |         |       |     |       |   |       |         |         | 38      |            |         | 18      |                        | 127            |
|               |                |                           | 24            |                             | 44                        |                             | 46 1/4 |         |       |     |       |   |       |         |         | 44      |            |         | 24      |                        | 145            |
|               | 3 1/2          | ZNT103308                 | 30            |                             | 50                        |                             | 52 1/4 |         |       |     |       |   |       |         |         | 50      |            |         | 30      |                        | 154            |
|               |                |                           | 36            |                             | 56                        |                             | 58 1/4 |         |       |     |       |   |       |         |         | 56      |            |         | 36      |                        | 166            |
| 11            | 3 15/16        | ZNT113315                 | 12            | 7                           | 36                        | 2 1/2                       | 38 1/2 | 5 3/16  | 5 1/2 | 3/4 | 2 1/4 | 5 | 12    | 14 1/2  | 2 1/16  | 36 5/16 | 1 1/4-7 NC | 6 3/8   | 12      | 15,600                 | 209            |
|               |                |                           | 18            |                             | 42                        |                             | 44 1/2 |         |       |     |       |   |       |         |         | 42      |            |         | 18      |                        | 217            |
|               |                |                           | 24            |                             | 48                        |                             | 50 1/2 |         |       |     |       |   |       |         |         | 48 5/16 |            |         | 24      |                        | 249            |
|               |                |                           | 30            |                             | 54                        |                             | 56 1/2 |         |       |     |       |   |       |         |         | 54 5/16 |            |         | 30      |                        | 269            |
|               |                |                           | 36            |                             | 60                        |                             | 62 1/2 |         |       |     |       |   |       |         |         | 60 5/16 |            |         | 36      |                        | 279            |

**Additional Notes**

- Please call 1-866-REXNORD for availability
- Lubrication fitting tap size, 1/8 PT
- Bore size = nominal shaft size +.001 in/-.000 in (+0.03 mm/-0.00 mm)
- Seals - To specify K or M seal, replace "Z" in part number with "K" or "M"
- Auxiliary end caps - available in all size codes
- Allowable working load is 2/3 yield strength
- For the Selection Guide, Load Ratings and Speed Limits, see the Rex Spherical Roller Bearings Engineering section

Note: Dimensions subject to change. Certified dimensions of ordered material furnished on request.

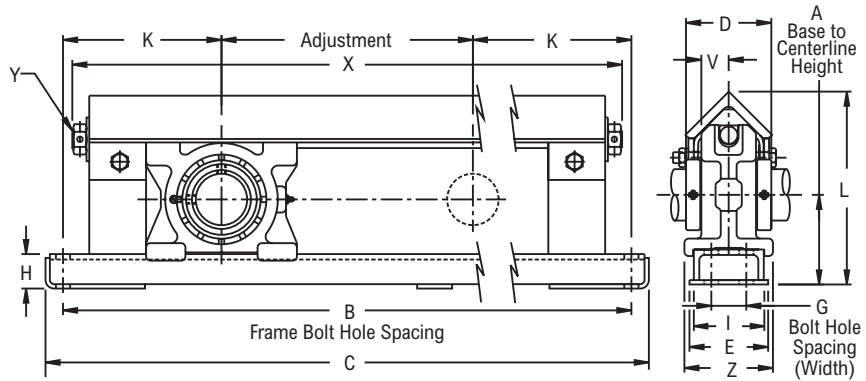
# ZNT5000



Photo Shows a Protected Screw Type Take-up Frame with Spherical Roller Bearing Take-up Unit

## Product Features

- Protected screw type frame
- Corrosion-resistant powder coating
- Cast iron housing
- Misalignment capabilities - total of 3°
- Broad range of sealing options
- Factory set clearance & lubrication
- Precision ground & superfinished raceways
- Field interchangeable seals
- See Features & Benefits for additional info.



## Bearing Dimensions

| Size Code     | Shaft Diameter | Complete Take-up Assembly | Travel Length                                  | A Base to Centerline Height | B Frame Bolt Hole Spacing                         | G Bolt Hole Spacing (Width) | C   | D       | E     | F     | H     | I     | K      | L       | V      | X   | Y         | Z       | Adjust.  | Allowable Working Load | Approx. Weight                                 |       |       |        |        |       |   |          |  |  |          |  |
|---------------|----------------|---------------------------|--|-----------------------------|---|-----------------------------|---|---------|-------|-------|-------|-------|--------|---------|--------|---|-----------|---------|--|------------------------|--|-------|-------|--------|--------|-------|---|----------|--|--|----------|--|
| <b>2-Bolt</b> |                |                           |  |                             |   |                             |   |         |       |       |       |       |        |         |        |   |           |         |  |                        |  |       |       |        |        |       |   |          |  |  |          |  |
| 6             | 1 15/16        | ZNT65115                  | 12<br>18<br>24<br>30<br>36                     | 3 15/16                     | 26 1/2<br>32 1/2<br>38 1/2<br>44 1/2<br>50 1/2    | -                           | 28 1/2<br>34 1/2<br>40 1/2<br>46 1/2<br>52 1/2    | 3 13/16 | 3 1/2 | 5/8   | 1 3/4 | 3     | 7 1/4  | 8 1/4   | 1 7/32 | 25 3/8<br>31 3/8<br>37 3/8<br>43 3/8<br>49 3/8    | 3/4-10 NC | 3 13/16 | 12<br>18<br>24<br>30<br>36                     | 3,000                  | 47<br>52<br>58<br>65<br>72                     |       |       |        |        |       |   |          |  |  |          |  |
|               | 50 MM          | ZNT65050MM                | 304.80<br>457.20<br>609.60<br>762.00<br>914.40 | 100.01                      | 673.10<br>825.50<br>977.90<br>1130.30<br>1282.70  | -                           | 723.90<br>876.30<br>1028.70<br>1181.10<br>1333.50 | 46.04   | 88.90 | 15.88 | 44.45 | 76.20 | 184.15 | 209.55  | 30.96  | 644.53<br>796.93<br>949.33<br>1101.73<br>1254.13  | 3/4-10 NC |         | 304.80<br>457.20<br>609.60<br>762.00<br>914.40 | 13344.00               | 204.08<br>226.75<br>253.96<br>285.71<br>317.45 |       |       |        |        |       |   |          |  |  |          |  |
| 7             | 2              | ZNT75200                  | 12<br>18<br>24<br>30<br>36                     | 4 3/16                      | 27 1/2<br>33 1/2<br>39 1/2<br>45 1/2<br>51 1/2    | -                           | 29 1/2<br>35 1/2<br>41 1/2<br>47 1/2<br>53 1/2    | 4 1/8   | 3 1/2 | 5/8   | 1 3/4 | 3     | 7 3/4  | 8 11/16 | 1 9/32 | 26 3/8<br>32 3/8<br>38 3/8<br>44 3/8<br>50 3/8    | 3/4-10 NC | 3 13/16 | 12<br>18<br>24<br>30<br>36                     | 3,600                  | 51<br>56<br>68<br>75<br>80                     |       |       |        |        |       |   |          |  |  |          |  |
|               | 2 3/16         | ZNT75203                  | 304.80<br>457.20<br>609.60<br>762.00<br>914.40 | 106.36                      | 698.50<br>850.90<br>1003.30<br>1155.70<br>1308.10 | -                           | 749.30<br>901.70<br>1054.10<br>1206.50<br>1358.90 | 104.78  | 88.90 | 15.88 | 44.45 | 76.20 | 196.85 | 220.66  | 32.54  | 669.93<br>822.33<br>974.73<br>1127.13<br>1279.53  | 3/4-10 NC |         | 304.80<br>457.20<br>609.60<br>762.00<br>914.40 | 16012.80               | 231.29<br>253.96<br>308.38<br>340.13<br>362.80 |       |       |        |        |       |   |          |  |  |          |  |
| 8             | 2 7/16         | ZNT85207                  | 12<br>18<br>24<br>30<br>36                     | 4 3/8                       | 28 1/2<br>34 1/2<br>40 1/2<br>46 1/2<br>52 1/2    | -                           | 30 1/2<br>36 1/2<br>42 1/2<br>48 1/2<br>54 1/2    | 4 3/8   | 3 1/2 | 3/4   | 1 3/4 | 3     | 8 1/4  | 9 1/8   | 1 5/16 | 27 3/4<br>33 3/4<br>39 3/4<br>45 3/4<br>51 3/4    | 7/8-9 NC  | 3 15/16 | 12<br>18<br>24<br>30<br>36                     | 4,400                  | 61<br>65<br>76<br>81<br>87                     |       |       |        |        |       |   |          |  |  |          |  |
|               | 60 MM          | ZNT85060MM                | 304.80<br>457.20<br>609.60<br>762.00<br>914.40 | 111.13                      | 723.90<br>876.30<br>1028.70<br>1181.10<br>1333.50 | -                           | 774.70<br>927.10<br>1079.50<br>1231.90<br>1384.30 | 111.13  | 88.90 | 19.05 | 44.45 | 76.20 | 209.55 | 231.78  | 33.34  | 704.85<br>857.25<br>1009.65<br>1162.05<br>1314.45 | 7/8-9 NC  |         | 304.80<br>457.20<br>609.60<br>762.00<br>914.40 | 19751.20               | 276.64<br>294.78<br>344.66<br>367.34<br>394.55 |       |       |        |        |       |   |          |  |  |          |  |
| <b>4-Bolt</b> |                |                           |  |                             |   |                             |   |         |       |       |       |       |        |         |        |   |           |         |  |                        |  |       |       |        |        |       |   |          |  |  |          |  |
| 9             | 2 1/2          | ZNT95208                  | 12<br>18<br>24<br>30<br>36                     | 5 1/8                       | 30 1/2<br>36 1/2<br>42 1/2<br>48 1/2<br>54 1/2    | 2                           | 32 1/2<br>38 1/2<br>44 1/2<br>50 1/2<br>56 1/2    | 4 7/8   | 4 1/2 | 3/4   | 2     | 4     | 9 1/4  | 10 5/8  | 1 9/16 | 30<br>36<br>42<br>48<br>54                        | 1-8 NC    | 5 1/16  | 12<br>18<br>24<br>30<br>36                     | 6,800                  | 87<br>95<br>115<br>122<br>130                  |       |       |        |        |       |   |          |  |  |          |  |
|               | 2 11/16        | ZNT95211                  | 304.80<br>457.20<br>609.60<br>762.00<br>914.40 |                             | 723.90<br>876.30<br>1028.70<br>1181.10<br>1333.50 |                             | 774.70<br>927.10<br>1079.50<br>1231.90<br>1384.30 |         |       |       |       |       |        |         |        | 111.13  |           |         | 88.90  |                        | 19.05  | 44.45 | 76.20 | 209.55 | 231.78 | 33.34 | 704.85<br>857.25<br>1009.65<br>1162.05<br>1314.45 | 7/8-9 NC |  | 304.80<br>457.20<br>609.60<br>762.00<br>914.40 | 19751.20 | 276.64<br>294.78<br>344.66<br>367.34<br>394.55 |
|               | 2 15/16        | ZNT95215                  | 304.80<br>457.20<br>609.60<br>762.00<br>914.40 |                             | 723.90<br>876.30<br>1028.70<br>1181.10<br>1333.50 |                             | 774.70<br>927.10<br>1079.50<br>1231.90<br>1384.30 |         |       |       |       |       |        |         |        | 111.13  |           |         | 88.90  |                        | 19.05  | 44.45 | 76.20 | 209.55 | 231.78 | 33.34 | 704.85<br>857.25<br>1009.65<br>1162.05<br>1314.45 | 7/8-9 NC |  | 304.80<br>457.20<br>609.60<br>762.00<br>914.40 | 19751.20 | 276.64<br>294.78<br>344.66<br>367.34<br>394.55 |

Continued...

Continued...

**Bearing Dimensions**

| Size Code | Shaft Diameter | Complete Take-up Assembly                      | Travel Length              | A Base to Centerline Height                        | B Frame Bolt Hole Spacing   | G Bolt Hole Spacing (Width)                        | C                           | D      | E      | F     | H      | I      | K      | L      | V  | X                           | Y          | Z  | Adjust.                    | Allowable Working Load                            | Approx. Weight             |
|-----------|----------------|--|----------------------------|--|-----------------------------|--|-----------------------------|--------|--------|-------|--------|--------|--------|--------|--|-----------------------------|------------|--|----------------------------|---|----------------------------|
| 9         | 70 MM          | ZNT95070MM                                     | 304.80<br>457.20<br>609.60 | 130.18   | 774.70<br>927.10<br>1079.50 | 50.80  | 825.50<br>977.90<br>1130.30 | 123.83 | 114.30 | 19.05 | 50.80  | 101.60 | 234.95 | 269.88 | 39.69  | 762.00<br>914.40<br>1066.80 | 1-8NC      |  | 304.80<br>457.20<br>609.60 | 30246.40  | 394.55<br>430.83<br>521.53 |
|           | 75 MM          | ZNT95075MM                                     | 762.00<br>914.40           |  | 1231.90<br>1384.30          |  | 1282.70<br>1435.10          |        |        |       |        |        |        |        |  | 1219.20<br>1371.60          |            |  | 762.00<br>914.40           |   | 553.27<br>589.55           |
| 10        | 3 3/16         | ZNT105303                                      | 12                         | 5 5/8  | 32                          | 2  | 34 1/4                      | 5 5/16 | 4 1/2  | 3/4   | 2      | 4      | 10     | 11 3/4 | 1 23/32  | 32                          | 1 1/8-7 NC | 5 3/16   | 12                         | 8,400   | 120                        |
|           |                |  | 18                         |  | 38                          |  | 40 1/4                      |        |        |       |        |        |        |        |  | 44                          |            |  | 44                         |   | 18                         |
|           | 24             | 44   | 46 1/4                     |  | 50                          |  | 50                          |        |        |       |        |        |        |        |  | 24                          |            |  | 147                        |   |                            |
|           | 30             | 50   | 52 1/4                     |  | 56                          |  | 56                          |        |        |       |        |        |        |        |  | 30                          |            |  | 156                        |   |                            |
|           | 36             | 56   | 58 1/4                     |  |                             |  |                             |        |        |       |        |        |        |        |  | 36                          |            |  | 168                        |   |                            |
| 80 MM     | ZNT105080MM    | 304.80<br>457.20                               | 142.88                     | 812.80<br>965.20                                   | 50.80                       | 869.95<br>1022.35                                  | 134.94                      | 114.30 | 19.05  | 50.80 | 101.06 | 254.00 | 298.45 | 43.66  | 812.80<br>965.20                                   | 1 1/8-7NC                   |            | 304.80<br>457.20                               | 37363.20                   | 544.20<br>585.02                                  |                            |
| 85 MM     | ZNT105085MM    | 609.60<br>762.00                               |                            | 1117.60<br>1270.00                                 |                             | 1174.75<br>1327.15                                 |                             |        |        |       |        |        |        |        | 1270.00<br>1422.40                                 |                             |            | 609.60<br>762.00                               |                            | 666.65<br>707.46                                  |                            |
| 90 MM     | ZNT105090MM    | 762.00<br>914.40                               |                            | 1270.00<br>1422.40                                 |                             | 1327.15<br>1479.55                                 |                             |        |        |       |        |        |        |        | 1270.00<br>1422.40                                 |                             |            | 762.00<br>914.40                               |                            | 707.46<br>761.88                                  |                            |
|           |                |  |                            |  |                             |  |                             |        |        |       |        |        |        |        |  |                             |            |  |                            |   |                            |
| 11        | 3 11/16        | ZNT115311                                      | 12                         | 7  | 36                          | 2 1/2  | 38 1/2                      | 6 1/4  | 5 1/2  | 3/4   | 2 1/4  | 5      | 12     | 14 1/2 | 2 1/16   | 36 5/16                     | 1 1/4-7 NC | 6 3/8  | 12                         | 15,600  | 211                        |
|           |                |  | 18                         |  | 42                          |  | 44 1/2                      |        |        |       |        |        |        |        |  | 48                          |            |  | 48                         |   | 18                         |
|           | 24             | 48   | 50 1/2                     |  | 56 1/2                      |  | 56 1/2                      |        |        |       |        |        |        |        |  | 24                          |            |  | 251                        |   |                            |
|           | 30             | 54   | 56 1/2                     |  | 62 1/2                      |  | 62 1/2                      |        |        |       |        |        |        |        |  | 30                          |            |  | 271                        |   |                            |
|           | 36             | 60   |                            |  |                             |  |                             |        |        |       |        |        |        |        |  | 36                          |            |  | 281                        |   |                            |
| 100 MM    | ZNT115100MM    | 304.80<br>457.20<br>609.60<br>762.00<br>914.40 | 177.80                     | 914.40<br>1066.80<br>1219.20<br>1371.60<br>1524.00 | 63.50                       | 977.90<br>1130.30<br>1282.70<br>1435.10<br>1587.50 | 158.75                      | 139.70 | 19.05  | 57.15 | 127.00 | 304.80 | 368.30 | 52.39  | 922.35<br>1074.75<br>1227.15<br>1379.55<br>1531.95 | 1 1/4-7NC                   |            | 304.80<br>457.20<br>609.60<br>762.00<br>914.40 | 69388.80                   | 956.89<br>993.17<br>1138.29<br>1228.99<br>1274.34 |                            |

**Additional Notes**

- Please call 1-866-REXNORD for availability
- Metric bore sizes available, see Rex Interchangeability guide
- Lubrication fitting tap size, 1/8 PT
- Bore size = nominal shaft size +.001 in/-.000 in (+0.03 mm/-0.00 mm)
- Seals - To specify K or M seal, replace "Z" in part number with "K" or "M"
- Auxiliary end caps - available in all size codes
- Allowable working load is 2/3 yield strength

For the Selection Guide, Load Ratings and Speed Limits, see the Rex Spherical Roller Bearings Engineering section  
 Note: Dimensions subject to change. Certified dimensions of ordered material furnished on request.

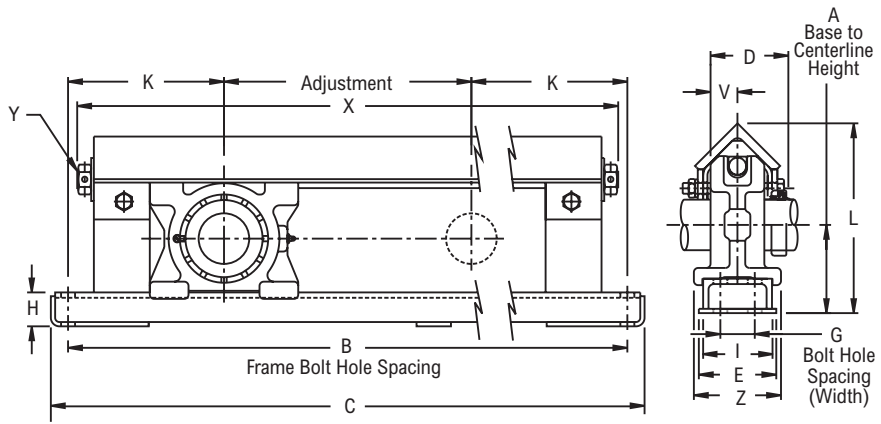
# ZNT6000



Photo Shows a Protected Screw Type Take-up Frame with Spherical Roller Bearing Take-up Unit

## Product Features

- ISpyglass™ Optical Strain Sensor (OSS) Technology
- Positive locking system
- Tapered adapter sleeve
- Protected screw type frame
- Corrosion-resistant powder coating
- Cast iron housing
- Misalignment capabilities - total of 3°
- Broad range of sealing options
- Factory set clearance & lubrication
- See Features & Benefits for additional info.



## Bearing Dimensions

| Size Code     | Shaft Diameter | Complete Take-up Assembly | Travel Length | A Base to Centerline Height | B Frame Bolt Hole Spacing | G Bolt Hole Spacing (Width) | C       | D       | E     | F     | H     | I     | K      | L       | V      | X       | Y         | Z       | Adjust. | Allowable Working Load | Approx. Weight |
|---------------|----------------|---------------------------|---------------|-----------------------------|---------------------------|-----------------------------|---------|---------|-------|-------|-------|-------|--------|---------|--------|---------|-----------|---------|---------|------------------------|----------------|
| <b>2-Bolt</b> |                |                           |               |                             |                           |                             |         |         |       |       |       |       |        |         |        |         |           |         |         |                        |                |
| 6             | 1 15/16        | ZNT66115                  | 12            | 3 15/16                     | 26 1/2                    | -                           | 28 1/2  | 3 41/64 | 3 1/2 | 5/8   | 1 3/4 | 3     | 7 1/4  | 8 1/4   | 1 7/32 | 25 3/8  | 3/4-10 NC | 3 13/16 | 12      | 3,000                  | 47             |
|               |                |                           | 18            |                             | 32 1/2                    |                             | 31 3/8  |         |       |       |       |       |        |         |        | 18      |           |         | 52      |                        |                |
|               |                |                           | 24            |                             | 38 1/2                    |                             | 40 1/2  |         |       |       |       |       |        |         |        | 37 3/8  |           |         | 24      |                        | 58             |
|               |                |                           | 30            |                             | 44 1/2                    |                             | 46 1/2  |         |       |       |       |       |        |         |        | 43 3/8  |           |         | 30      |                        | 65             |
|               |                |                           | 36            |                             | 50 1/2                    |                             | 52 1/2  |         |       |       |       |       |        |         |        | 49 3/8  |           |         | 36      |                        | 72             |
|               | 45 MM          | ZNT66045MM                | 304.80        | 100.01                      | 673.10                    | -                           | 723.90  | 92.47   | 88.90 | 15.88 | 44.45 | 76.20 | 184.15 | 209.55  | 30.96  | 644.53  | 3/4-10NC  | 3 13/16 | 304.80  | 13,344.00              | 204.08         |
|               |                |                           | 457.20        |                             | 825.50                    |                             | 876.30  |         |       |       |       |       |        |         |        | 796.93  |           |         | 457.20  |                        | 226.75         |
|               |                |                           | 609.60        |                             | 977.90                    |                             | 1028.70 |         |       |       |       |       |        |         |        | 949.33  |           |         | 609.60  |                        | 253.96         |
|               |                |                           | 762.00        |                             | 1130.30                   |                             | 1181.10 |         |       |       |       |       |        |         |        | 1101.73 |           |         | 762.00  |                        | 285.71         |
|               |                |                           | 914.40        |                             | 1282.70                   |                             | 1333.50 |         |       |       |       |       |        |         |        | 1254.13 |           |         | 914.40  |                        | 317.45         |
| 7             | 2 3/16         | ZNT76203                  | 12            | 4 3/16                      | 27 1/2                    | -                           | 29 1/2  | 3 49/64 | 3 1/2 | 5/8   | 1 3/4 | 3     | 7 3/4  | 8 11/16 | 1 9/32 | 26 3/8  | 3/4-10 NC | 3 13/16 | 12      | 3,600                  | 51             |
|               |                |                           | 18            |                             | 33 1/2                    |                             | 32 3/8  |         |       |       |       |       |        |         |        | 18      |           |         | 56      |                        |                |
|               |                |                           | 24            |                             | 39 1/2                    |                             | 41 1/2  |         |       |       |       |       |        |         |        | 38 3/8  |           |         | 24      |                        | 68             |
|               |                |                           | 30            |                             | 45 1/2                    |                             | 47 1/2  |         |       |       |       |       |        |         |        | 44 3/8  |           |         | 30      |                        | 75             |
|               |                |                           | 36            |                             | 51 1/2                    |                             | 53 1/2  |         |       |       |       |       |        |         |        | 50 3/8  |           |         | 36      |                        | 80             |
|               | 55 MM          | ZNT76055MM                | 304.80        | 106.36                      | 698.50                    | -                           | 749.30  | 95.65   | 88.90 | 15.88 | 44.45 | 76.20 | 196.85 | 220.66  | 32.54  | 669.93  | 3/4-10NC  | 3 13/16 | 304.80  | 16,012.80              | 231.29         |
|               |                |                           | 457.20        |                             | 850.90                    |                             | 901.70  |         |       |       |       |       |        |         |        | 822.33  |           |         | 457.20  |                        | 253.96         |
|               |                |                           | 609.60        |                             | 1003.30                   |                             | 1054.10 |         |       |       |       |       |        |         |        | 974.73  |           |         | 609.60  |                        | 308.38         |
|               |                |                           | 762.00        |                             | 1155.70                   |                             | 1206.50 |         |       |       |       |       |        |         |        | 1127.13 |           |         | 762.00  |                        | 340.13         |
|               |                |                           | 914.40        |                             | 1308.10                   |                             | 1358.90 |         |       |       |       |       |        |         |        | 1279.53 |           |         | 914.40  |                        | 362.80         |
| 8             | 2 3/8          | ZNT86206                  | 12            | 4 3/8                       | 28 1/2                    | -                           | 30 1/2  | 4 5/32  | 3 1/2 | 3/4   | 1 3/4 | 3     | 8 1/4  | 9 1/8   | 1 5/16 | 27 3/4  | 7/8-9 NC  | 3 15/16 | 12      | 4,400                  | 61             |
|               |                |                           | 18            |                             | 34 1/2                    |                             | 33 3/4  |         |       |       |       |       |        |         |        | 18      |           |         | 65      |                        |                |
|               |                |                           | 24            |                             | 40 1/2                    |                             | 42 1/2  |         |       |       |       |       |        |         |        | 39 3/4  |           |         | 24      |                        | 76             |
|               |                |                           | 30            |                             | 46 1/2                    |                             | 48 1/2  |         |       |       |       |       |        |         |        | 45 3/4  |           |         | 30      |                        | 81             |
|               |                |                           | 36            |                             | 52 1/2                    |                             | 54 1/2  |         |       |       |       |       |        |         |        | 51 3/4  |           |         | 36      |                        | 87             |
|               | 60 MM          | ZNT86060MM                | 304.80        | 111.13                      | 723.90                    | -                           | 774.70  | 105.57  | 88.90 | 19.05 | 44.45 | 76.20 | 209.55 | 231.78  | 33.34  | 704.85  | 7/8-9NC   | 3 15/16 | 304.80  | 19,751.20              | 276.64         |
|               |                |                           | 457.20        |                             | 876.30                    |                             | 927.10  |         |       |       |       |       |        |         |        | 857.25  |           |         | 457.20  |                        | 294.78         |
|               |                |                           | 609.60        |                             | 1028.70                   |                             | 1079.50 |         |       |       |       |       |        |         |        | 1009.65 |           |         | 609.60  |                        | 344.66         |
|               |                |                           | 762.00        |                             | 1181.10                   |                             | 1231.90 |         |       |       |       |       |        |         |        | 1162.05 |           |         | 762.00  |                        | 367.34         |
|               |                |                           | 914.40        |                             | 1333.50                   |                             | 1384.30 |         |       |       |       |       |        |         |        | 1314.45 |           |         | 914.40  |                        | 394.55         |
| <b>4-Bolt</b> |                |                           |               |                             |                           |                             |         |         |       |       |       |       |        |         |        |         |           |         |         |                        |                |
| 9             | 2 11/16        | ZNT96211                  | 12            | 5 1/8                       | 30 1/2                    | 2                           | 32 1/2  | 4 17/32 | 4 1/2 | 3/4   | 2     | 4     | 9 1/4  | 10 5/8  | 1 9/16 | 30      | 1-8 NC    | 5 1/16  | 12      | 6,800                  | 87             |
|               |                |                           | 18            |                             | 36 1/2                    |                             | 38 1/2  |         |       |       |       |       |        |         |        | 18      |           |         | 95      |                        |                |
|               | 24             | 42 1/2                    | 44 1/2        |                             | 24                        |                             | 115     |         |       |       |       |       |        |         |        |         |           |         |         |                        |                |
|               | 30             | 48 1/2                    | 50 1/2        |                             | 30                        |                             | 122     |         |       |       |       |       |        |         |        |         |           |         |         |                        |                |
|               | 2 3/4          | ZNT96212                  | 36            |                             | 54 1/2                    |                             | 56 1/2  |         |       |       |       |       |        |         | 54     |         |           | 36      |         | 130                    |                |

Continued...

Continued...

**Bearing Dimensions**

| Size Code | Shaft Diameter | Complete Take-up Assembly | Travel Length | A Base to Centerline Height | B Frame Bolt Hole Spacing | G Bolt Hole Spacing (Width) | C       | D       | E      | F     | H     | I      | K      | L      | V       | X       | Y          | Z      | Adjust. | Allowable Working Load | Approx. Weight |
|-----------|----------------|---------------------------|---------------|-----------------------------|---------------------------|-----------------------------|---------|---------|--------|-------|-------|--------|--------|--------|---------|---------|------------|--------|---------|------------------------|----------------|
| 9         | 70 MM          | ZNT96070MM                | 304.80        | 130.18                      | 774.70                    | 50.80                       | 825.50  | 115.09  | 114.30 | 19.05 | 50.80 | 101.60 | 234.95 | 269.88 | 39.69   | 762.00  | 1-8NC      |        | 304.80  | 30,246.40              | 394.55         |
|           |                |                           | 457.20        |                             | 927.10                    |                             | 1130.30 |         |        |       |       |        |        |        |         | 1066.80 |            |        | 457.20  |                        | 430.83         |
|           | 75 MM          | ZNT95075MM                | 609.60        |                             | 1079.50                   |                             | 1282.70 |         |        |       |       |        |        |        |         | 1219.20 |            |        | 762.00  |                        | 553.27         |
|           |                |                           | 914.40        |                             | 1384.30                   |                             | 1435.10 |         |        |       |       |        |        |        |         | 1371.60 |            |        | 914.40  |                        | 589.55         |
| 10        | 3 3/16         | ZNT106303                 | 12            | 5 5/8                       | 32                        | 2                           | 34 1/4  | 5 9/64  | 4 1/2  | 3/4   | 2     | 4      | 10     | 11 3/4 | 1 23/32 | 32      | 1 1/8-7 NC | 5 3/16 | 12      | 8,400                  | 120            |
|           |                |                           | 18            |                             | 38                        |                             | 40 1/4  |         |        |       |       |        |        |        |         | 38      |            |        | 18      |                        |                |
|           | 24             | 44                        | 46 1/4        | 44                          | 24                        |                             |         |         |        |       |       |        |        |        |         |         |            |        |         |                        |                |
|           | 30             | 50                        | 52 1/4        | 50                          | 30                        |                             |         |         |        |       |       |        |        |        |         |         |            |        |         |                        |                |
|           | 3 7/16         | ZNT106307                 | 36            |                             | 56                        |                             | 58 1/4  |         |        |       |       |        |        |        |         | 56      |            |        | 36      |                        | 168            |
|           |                |                           | 12            |                             | 32                        |                             | 34 1/4  |         |        |       |       |        |        |        |         | 32      |            |        | 12      |                        |                |
|           | 80 MM          | ZNT106080MM               | 304.80        | 142.88                      | 812.80                    | 50.80                       | 869.95  | 130.57  | 114.30 | 19.05 | 50.80 | 101.06 | 254.00 | 298.45 | 43.66   | 812.80  | 1 1/8-7NC  |        | 304.80  | 37,363.20              | 544.20         |
|           |                |                           | 457.20        |                             | 965.20                    |                             | 1022.35 |         |        |       |       |        |        |        |         | 965.20  |            |        | 457.20  |                        | 585.02         |
|           | 85 MM          | ZNT106085MM               | 609.60        |                             | 1117.60                   |                             | 1174.75 |         |        |       |       |        |        |        |         | 1117.60 |            |        | 609.60  |                        | 666.65         |
|           |                |                           | 762.00        |                             | 1270.00                   |                             | 1327.15 |         |        |       |       |        |        |        |         | 1270.00 |            |        | 762.00  |                        | 707.46         |
|           | 100 MM         | ZNT106085MM               | 914.40        |                             | 1422.40                   |                             | 1422.40 |         |        |       |       |        |        |        |         | 1422.40 |            |        | 914.40  |                        | 761.88         |
|           |                |                           | 12            |                             | 36                        |                             | 38 1/2  |         |        |       |       |        |        |        |         | 36 5/16 |            |        | 12      |                        |                |
|           | 3 11/16        | ZNT116311                 | 18            | 7                           | 42                        | 2 1/2                       | 44 1/2  | 5 31/32 | 5 1/2  | 3/4   | 2 1/4 | 5      | 12     | 14 1/2 | 2 1/16  | 42 5/16 | 1 1/4-7 NC | 6 3/8  | 18      | 15,600                 | 219            |
|           |                |                           | 24            |                             | 48                        |                             | 50 1/2  |         |        |       |       |        |        |        |         | 48 5/16 |            |        | 18      |                        |                |
|           | 3 15/16        | ZNT116315                 | 30            |                             | 54                        |                             | 56 1/2  |         |        |       |       |        |        |        |         | 54 5/16 |            |        | 30      |                        | 271            |
|           |                |                           | 36            |                             | 60                        |                             | 62 1/2  |         |        |       |       |        |        |        |         | 60 5/16 |            |        | 36      |                        | 281            |
|           | 100 MM         | ZNT116100MM               | 304.80        | 177.80                      | 914.40                    | 63.50                       | 977.90  | 151.61  | 139.70 | 19.05 | 57.15 | 127.00 | 304.80 | 368.30 | 52.39   | 922.35  | 1 1/4-7NC  |        | 304.80  | 69,388.80              | 956.89         |
|           |                |                           | 457.20        |                             | 1066.80                   |                             | 1130.30 |         |        |       |       |        |        |        |         | 1074.75 |            |        | 457.20  |                        | 993.17         |
|           |                |                           | 609.60        |                             | 1219.20                   |                             | 1282.70 |         |        |       |       |        |        |        |         | 1227.15 |            |        | 609.60  |                        | 1138.29        |
|           |                |                           | 762.00        |                             | 1371.60                   |                             | 1435.10 |         |        |       |       |        |        |        |         | 1379.55 |            |        | 762.00  |                        | 1228.99        |
|           |                |                           | 914.40        |                             | 1524.00                   |                             | 1587.50 |         |        |       |       |        |        |        |         | 1531.95 |            |        | 914.40  |                        | 1274.34        |

**Additional Notes**

Please call 1-866-REXNORD for availability  
 Lubrication fitting tap size, 1/8 PT  
 Bore size = nominal shaft size +.001 in/-.000 in (+0.03 mm/-0.00 mm)  
 Seals - To specify K or M seal, replace "Z" in part number with "K" or "M"  
 Auxiliary end caps - available in all size codes  
 Allowable working load is 2/3 yield strength  
 For the Selection Guide, Load Ratings and Speed Limits, see the Rex Spherical Roller Bearings Engineering section

Note: Dimensions subject to change. Certified dimensions of ordered material furnished on request.

# ZAT2000

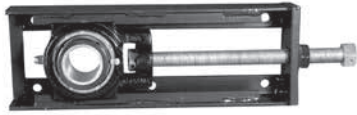
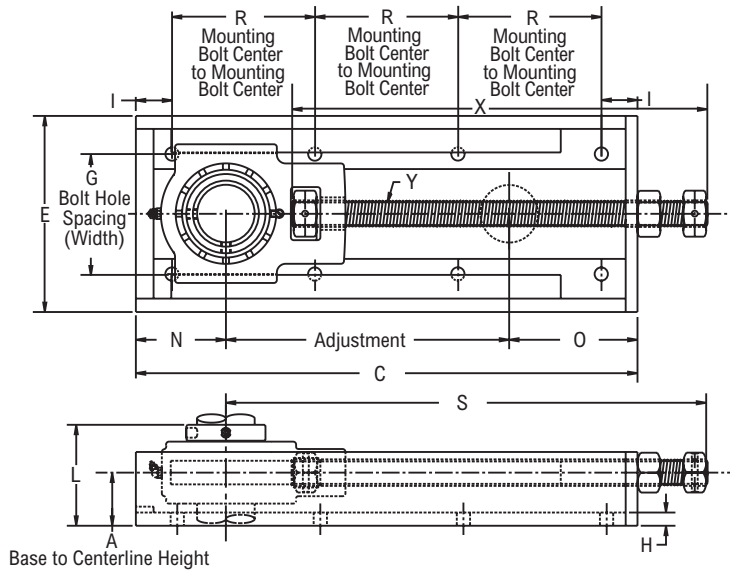


Photo Shows a Center Pull, Side Mounted Take-up Frame with Spherical Roller Bearing Take-up Unit

### Product Features

- Center pull side mounted frame
- Corrosion-resistant powder coating
- Cast iron housing
- Misalignment capabilities - total of 3°
- Broad range of sealing options
- Factory set clearance & lubrication
- Precision ground & superfinished raceways
- Field interchangeable seals
- See Features & Benefits for additional info.



### Bearing Dimensions

| Size Code     | Shaft Diameter | Part Number  | Adjust. | A Base to Centerline Height | G Bolt Hole Spacing (Width) | R Mounting Bolt Center to Mounting Bolt Center | C        | E       | F     | H    | I     | L      | N       | O      | S        | X       | Y          | Approx. Weight |
|---------------|----------------|--------------|---------|-----------------------------|-----------------------------|--|----------|---------|-------|------|-------|--------|---------|--------|----------|---------|------------|----------------|
| <b>6-Bolt</b> |                |              |         |                             |                             |  |          |         |       |      |       |        |         |        |          |         |            |                |
| 4             | 1 7/16         | ZAT421079    | 9       | 1 7/8                       | 3 9/16                      | 6 7/16   | 15 7/8   | 5 3/16  | 1/2   | 3/16 | 1 1/2 | 3 5/8  | 3       | 3 7/8  | 15       | 13 1/8  | 3/4-10 NC  | 18.40          |
|               | 35.00          | ZAT42035MM9  | 228.60  | 47.63                       | 90.49                       | 163.51   | 403.23   | 131.76  | 13.00 | 4.75 | 38.10 | 92.08  | 76.20   | 98.43  | 381.00   | 333.38  | 3/4-10 NC  | 8.30           |
| 5             | 1 11/16        | ZAT521119    | 9       | 2                           | 4 1/16                      | 7  | 17       | 5 13/16 | 1/2   | 1/4  | 1 1/2 | 3 7/8  | 3 1/4   | 4 3/4  | 16       | 13 1/2  | 7/8-9 NC   | 26.80          |
|               | 40.00          | ZAT52040MM9  | 228.60  | 50.80                       | 103.19                      | 177.80   | 431.80   | 147.64  | 13.00 | 6.35 | 38.10 | 98.43  | 82.55   | 120.65 | 406.40   | 342.90  | 7/8-9 NC   | 12.20          |
| 6             | 1 15/16        | ZAT621159    | 9       | 2                           | 4 1/16                      | 7  | 17       | 5 13/16 | 1/2   | 1/4  | 1 1/2 | 3 7/8  | 3 1/4   | 4 3/4  | 16       | 13 1/2  | 7/8-9 NC   | 27.10          |
|               | 50.00          | ZAT62050MM9  | 228.60  | 50.80                       | 103.19                      | 177.80   | 431.80   | 147.64  | 13.00 | 6.35 | 38.10 | 98.43  | 82.55   | 120.65 | 406.40   | 342.90  | 7/8-9 NC   | 12.30          |
| 7             | 2 3/16         | ZAT722039    | 9       | 2                           | 4 13/16                     | 7 1/2  | 18       | 6 9/16  | 1/2   | 1/4  | 1 1/2 | 4      | 3 9/16  | 5 7/16 | 16 15/16 | 14 5/16 | 1-8 NC     | 33.70          |
|               | 55.00          | ZAT72055MM9  | 228.60  | 50.80                       | 122.24                      | 190.50   | 457.20   | 166.69  | 13.00 | 6.35 | 38.10 | 101.60 | 90.49   | 138.11 | 176.21   | 363.54  | 1-8 NC     | 15.30          |
| <b>8-Bolt</b> |                |              |         |                             |                             |  |          |         |       |      |       |        |         |        |          |         |            |                |
| 8             | 2 7/16         | ZAT8220712   | 12      | 2 1/4                       | 5 1/16                      | 6 1/16   | 21 11/16 | 7 5/16  | 1/2   | 5/16 | 1 3/4 | 4 7/16 | 3 13/16 | 5 7/8  | 20 3/4   | 18      | 1 1/8-7 NC | 51.00          |
|               | 60.00          | ZAT82060MM12 | 304.80  | 57.15                       | 128.59                      | 153.99   | 550.86   | 185.74  | 13.00 | 7.94 | 44.45 | 112.71 | 96.84   | 149.23 | 527.05   | 457.20  | 1 1/8-7 NC | 23.20          |
|               | 65.00          | ZAT82065MM12 | 304.80  | 57.15                       | 128.59                      | 153.99   | 550.86   | 185.74  | 13.00 | 7.94 | 44.45 | 112.71 | 96.84   | 149.23 | 527.05   | 457.20  | 1 1/8-7 NC | 23.20          |
| 9             | 2 15/16        | ZAT9221512   | 12      | 2 7/16                      | 5 3/8                       | 6 1/2  | 23       | 8 1/8   | 1/2   | 5/16 | 1 3/4 | 4 7/8  | 4 1/4   | 6 3/4  | 21 3/4   | 18 1/2  | 1 1/4-7 NC | 75.00          |
|               | 70.00          | ZAT92070MM12 | 304.80  | 61.91                       | 136.53                      | 165.10   | 584.20   | 206.38  | 13.00 | 7.94 | 44.45 | 123.83 | 107.95  | 171.45 | 552.45   | 469.90  | 1 1/4-7 NC | 34.00          |
|               | 75.00          | ZAT92075MM12 | 304.80  | 61.91                       | 136.53                      | 165.10   | 584.20   | 206.38  | 13.00 | 7.94 | 44.45 | 123.83 | 107.95  | 171.45 | 552.45   | 469.90  | 1 1/4-7 NC | 34.00          |

### Additional Notes

- Please call 1-866-REXNORD for availability
- Metric bore sizes available, see Rex Interchangeability guide
- Lubrication fitting tap size, 1/8 PT
- Bore size = nominal shaft size +.001 in/-.000 in (+0.03 mm/-0.00 mm)
- Seals - To specify K or M seal, replace "Z" in part number with "K" or "M"
- Auxiliary end caps - available in all size codes on outboard side only
- For the Selection Guide, Load Ratings and Speed Limits, see the Rex Spherical Roller Bearings Engineering section

Note: Dimensions subject to change. Certified dimensions of ordered material furnished on request.

# ZAT3000

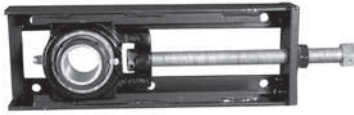
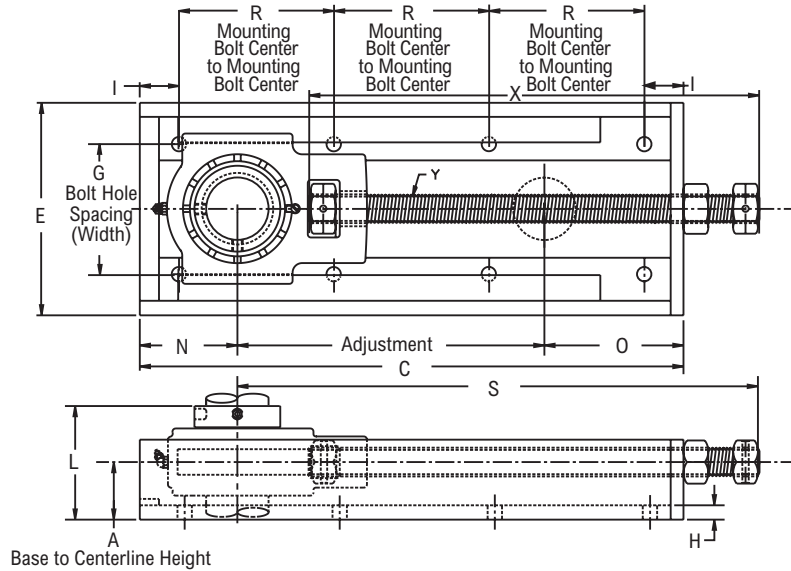


Photo Shows a Center Pull, Side Mounted Take-up Frame with Spherical Roller Bearing Take-up Unit

## Product Features

- Center pull side mounted frame
- Corrosion-resistant powder coating
- Cast iron housing
- Misalignment capabilities - total of 3°
- Broad range of sealing options
- Factory set clearance & lubrication
- Precision ground & superfinished raceways
- Field interchangeable seals
- See Features & Benefits for additional info.



## Bearing Dimensions

| Size Code     | Shaft Diameter | Part Number | Adjust. | A Base to Centerline Height | G Bolt Hole Spacing (Width) | R Mounting Bolt Center to Mounting Bolt Center | C        | E       | F   | H    | I     | L      | N       | O      | S        | X       | Y          | Approx. Weight |
|---------------|----------------|-------------|---------|-----------------------------|-----------------------------|--|----------|---------|-----|------|-------|--------|---------|--------|----------|---------|------------|----------------|
| <b>6-Bolt</b> |                |             |         |                             |                             |  |          |         |     |      |       |        |         |        |          |         |            |                |
| 4             | 1 7/16         | ZAT431079   | 9       | 1 7/8                       | 3 9/16                      | 6 7/16   | 15 7/8   | 5 3/16  | 1/2 | 3/16 | 1 1/2 | 3 5/8  | 3       | 3 7/8  | 15       | 13 1/8  | 3/4-10 NC  | 18.40          |
| 5             | 1 11/16        | ZAT531119   | 9       | 2                           | 4 1/16                      | 7  | 17       | 5 13/16 | 1/2 | 1/4  | 1 1/2 | 3 7/8  | 3 1/4   | 4 3/4  | 16       | 13 1/2  | 7/8-9 NC   | 26.80          |
| 6             | 1 15/16        | ZAT631159   | 9       | 2                           | 4 1/16                      | 7  | 17       | 5 13/16 | 1/2 | 1/4  | 1 1/2 | 3 7/8  | 3 1/4   | 4 3/4  | 16       | 13 1/2  | 7/8-9 NC   | 27.10          |
| 7             | 2 3/16         | ZAT732039   | 9       | 2                           | 4 13/16                     | 7 1/2  | 18       | 6 9/16  | 1/2 | 1/4  | 1 1/2 | 4      | 3 9/16  | 5 7/16 | 16 15/16 | 14 5/16 | 1-8 NC     | 33.70          |
| <b>8-Bolt</b> |                |             |         |                             |                             |  |          |         |     |      |       |        |         |        |          |         |            |                |
| 8             | 2 7/16         | ZAT8320712  | 12      | 2 1/4                       | 5 1/16                      | 6 1/16   | 21 11/16 | 7 5/16  | 1/2 | 5/16 | 1 3/4 | 4 7/16 | 3 13/16 | 5 7/8  | 20 3/4   | 18      | 1 1/8-7 NC | 51.00          |
| 9             | 2 15/16        | ZAT9321512  | 12      | 2 7/16                      | 5 3/8                       | 6 1/2  | 23       | 8 1/8   | 1/2 | 5/16 | 1 3/4 | 4 7/8  | 4 1/4   | 6 3/4  | 21 3/4   | 18 1/2  | 1 1/4-7 NC | 75.00          |

## Additional Notes

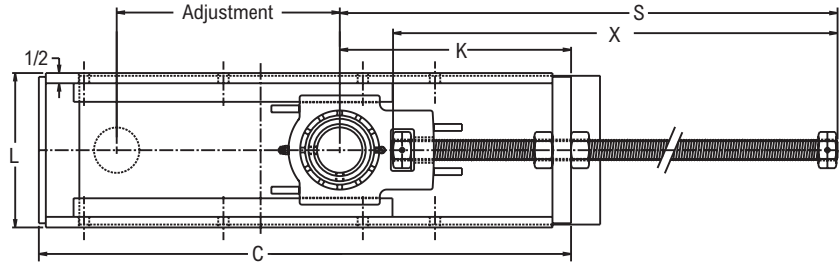
- Please call 1-866-REXNORD for availability
- Lubrication fitting tap size, 1/8 PT
- Bore size = nominal shaft size +.001 in/-.000 in (**+0.03 mm/-0.00 mm**)
- Seals - To specify K or M seal, replace "Z" in part number with "K" or "M"
- Auxiliary end caps - available in all size codes on outboard side only
- For the Selection Guide, Load Ratings and Speed Limits, see the Rex Spherical Roller Bearings Engineering section

Note: Dimensions subject to change. Certified dimensions of ordered material furnished on request.

# ZFT5000

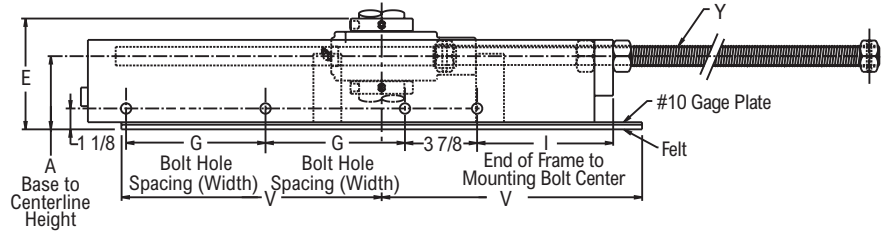


Photo Shows an Elevator Boot Take-up Frame with Spherical Roller Bearing Take-up Unit



## Product Features

- Center pull elevator boot frame
- Back plate makes casing dust tight
- Corrosion-resistant powder coating
- Cast iron housing
- Misalignment capabilities - total of 3°
- Broad range of sealing options
- Factory set clearance & lubrication
- Precision ground & superfinished raceways
- Field interchangeable seals
- See Features & Benefits for additional info.



## Bearing Dimensions

| Size Code | Shaft Diameter | Part Number  | A Base to Centerline Height | G Bolt Hole Spacing (Width) | I End of Frame at Rod End to Mounting Bolt Center | C      | E       | F     | K       | L      | S      | V      | X      | Y          | Adjust. | Approx. Weight |
|-----------|----------------|--------------|-----------------------------|-----------------------------|---|--------|---------|-------|---------|--------|--------|--------|--------|------------|---------|----------------|
| 6         | 1 15/16        | ZFT651159    | 3 11/16                     | 6                           | 5 1/2   | 23 1/2 | 5 5/8   | 1/2   | 10 5/8  | 7 3/16 | 21 3/4 | 11     | 19 1/2 | 7/8-9 NC   | 9       | 63.00          |
|           | 50.00          | ZFT65050MM9  | 93.66                       | 152.40                      | 139.70  | 596.90 | 142.88  | 13.00 | 269.88  | 182.56 | 21.75  | 279.40 | 495.30 | 7/8-9 NC   | 228.60  | 28.60          |
| 8         | 2 7/16         | ZFT8520712   | 3 15/16                     | 7 1/2                       | 7 5/16  | 28 5/8 | 6 1/8   | 1/2   | 12 7/16 | 8 5/16 | 27     | 14     | 24 1/4 | 1 1/8-7 NC | 12      | 88.00          |
|           | 60.00          | ZFT85060MM12 | 100.01                      | 190.50                      | 185.74  | 727.08 | 155.58  | 13.00 | 315.91  | 211.14 | 685.80 | 355.60 | 615.95 | 1 1/8-7 NC | 304.80  | 40.00          |
| 9         | 2 1/2          | ZFT9520812   |                             |                             |   |        |         |       |         |        |        |        |        |            |         | 117.00         |
|           | 2 11/16        | ZFT9521112   | 4 3/8                       | 7 1/2                       | 8 3/4   | 30 3/8 | 6 13/16 | 1/2   | 13 7/8  | 8 5/8  | 28 5/8 | 14     | 25 3/8 | 1 1/4-7 NC | 12      | 115.00         |
|           | 70.00          | ZFT95070MM12 | 111.13                      | 190.50                      | 222.25  | 771.53 | 173.04  | 13.00 | 352.43  | 219.08 | 727.08 | 355.60 | 593.73 | 1 1/8-7 NC | 304.80  | 52.10          |
|           | 75.00          | ZFT95075MM12 |                             |                             |   |        |         |       |         |        |        |        |        |            |         | 51.80          |

## Additional Notes

- Please call 1-866-REXNORD for availability
- Metric bore sizes available, see Rex Interchangeability guide
- Lubrication fitting tap size, 1/8 PT
- Bore size = nominal shaft size +.001 in/- .000 in (+0.03 mm/-0.00 mm)
- Seals - To specify K or M seal, replace "Z" in part number with "K" or "M"
- Auxiliary end caps - available in all size codes
- For the Selection Guide, Load Ratings and Speed Limits, see the Rex Spherical Roller Bearings Engineering section

Note: Dimensions subject to change. Certified dimensions of ordered material furnished on request.



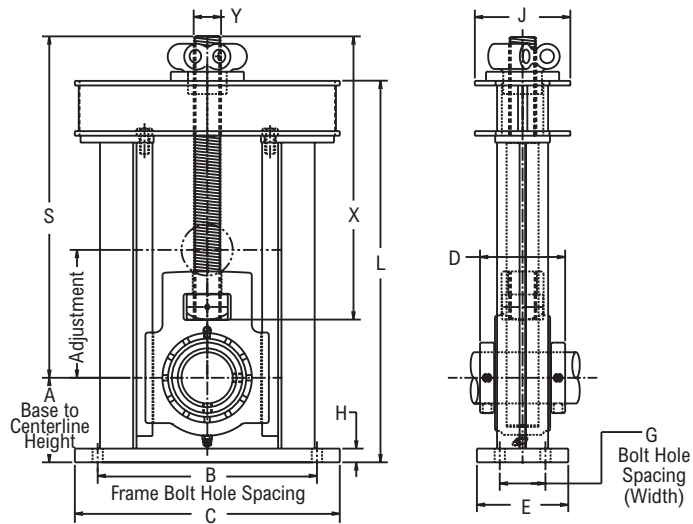
# ZGT5000



Photo Shows an Elevator Head Take-up Frame with Spherical Roller Bearing Take-up Unit

## Product Features

- Center pull elevator head frame
- Corrosion-resistant powder coating
- Cast iron housing
- Misalignment capabilities - total of 3°
- Broad range of sealing options
- Factory set clearance & lubrication
- Precision ground & superfinished raceways
- Field interchangeable seals
- See Features & Benefits for additional info.



## Bearing Dimensions

| Size Code | Shaft Diameter | Part Number   | A Base to Centerline Height | B Frame Bolt Hole Spacing | G Bolt Hole Spacing (Width) | C      | D       | E      | F     | H     | J       | L        | S        | X       | Y              | Adjust. | Allowable Working Load | Approx. Weight |        |        |        |        |        |       |        |        |          |          |            |            |        |        |        |
|-----------|----------------|---------------|-----------------------------|---------------------------|-----------------------------|--------|---------|--------|-------|-------|---------|----------|----------|---------|----------------|---------|------------------------|----------------|--------|--------|--------|--------|--------|-------|--------|--------|----------|----------|------------|------------|--------|--------|--------|
| 6         | 1 15/16        | ZGT651156     | 3 5/16                      | 10                        | 1 3/4                       | 12     | 3 13/16 | 3 1/2  | 1/2   | 1/2   | 4 15/16 | 16 1/2   | 15 7/8   | 13 5/8  | 1-8 NC         | 6       | 12,300                 | 50.00          |        |        |        |        |        |       |        |        |          |          |            |            |        |        |        |
|           | 50.00          | ZGT65050MM6   | 84.14                       | 254.00                    | 44.45                       | 304.80 | 96.84   | 88.90  | 13.00 | 12.70 | 125.41  | 419.10   | 403.23   | 346.08  | 1-8 NC         | 152.40  | 5,580                  | 22.70          |        |        |        |        |        |       |        |        |          |          |            |            |        |        |        |
| 8         | 2 7/16         | ZGT852077     | 4 1/8                       | 11                        | 2                           | 13 1/2 | 4 3/8   | 4      | 5/8   | 3/4   | 4 15/16 | 19 7/16  | 18 3/4   | 13 5/8  | 1 1/4-7 NC     | 7       | 20,900                 | 74.00          |        |        |        |        |        |       |        |        |          |          |            |            |        |        |        |
|           | 60.00          | ZGT85060MM7   | 104.78                      | 279.40                    | 50.80                       | 342.90 | 111.13  | 101.60 | 16.00 | 19.05 | 125.41  | 493.70   | 476.25   | 346.08  | 1 1/4-7 NC     | 177.80  | 9,480                  | 33.50          |        |        |        |        |        |       |        |        |          |          |            |            |        |        |        |
| 9         | 2 1/2          | ZGT952087     | 4 5/8                       | 12                        | 2 1/2                       | 14 1/2 | 4 7/8   | 5      | 5/8   | 3/4   | 5 1/4   | 20 7/8   | 17 7/8   | 15 1/2  | 1 1/2-6 NC     | 7       | 26,800                 | 103.00         |        |        |        |        |        |       |        |        |          |          |            |            |        |        |        |
|           | 2 11/16        | ZGT952117     |                             |                           |                             |        |         |        |       |       |         |          |          |         |                |         |                        | 101.00         |        |        |        |        |        |       |        |        |          |          |            |            |        |        |        |
|           | 2 15/16        | ZGT952157     |                             |                           |                             |        |         |        |       |       |         |          |          |         |                |         |                        | 100.00         |        |        |        |        |        |       |        |        |          |          |            |            |        |        |        |
|           | 70.00          | ZGT95070MM7   |                             |                           |                             |        |         |        |       |       |         |          |          |         |                |         |                        | 45.80          |        |        |        |        |        |       |        |        |          |          |            |            |        |        |        |
| 10        | 75.00          | ZGT95075MM7   | 117.48                      | 304.80                    | 63.50                       | 368.30 | 123.83  | 127.00 | 16.00 | 19.05 | 133.35  | 530.23   | 454.03   | 393.70  | 1 1/2-6 NC     | 177.80  | 12,100                 | 44.80          |        |        |        |        |        |       |        |        |          |          |            |            |        |        |        |
|           | 3 3/16         | ZGT10530310   | 5 1/8                       | 13                        | 3                           | 16     | 5 5/16  | 5      | 3/4   | 3/4   | 6       | 25 1/16  | 23 3/16  | 19 1/2  | 1 3/4-5 NC     | 10      | 27,300                 | 140.00         |        |        |        |        |        |       |        |        |          |          |            |            |        |        |        |
|           | 3 7/16         | ZGT10530710   |                             |                           |                             |        |         |        |       |       |         |          |          |         |                |         |                        | 138.00         |        |        |        |        |        |       |        |        |          |          |            |            |        |        |        |
|           | 80.00          | ZGT105080MM10 |                             |                           |                             |        |         |        |       |       |         |          |          |         |                |         |                        | 64.00          |        |        |        |        |        |       |        |        |          |          |            |            |        |        |        |
| 85.00     | ZGT105085MM10  | 63.50         |                             |                           |                             |        |         |        |       |       |         |          |          |         |                |         |                        |                |        |        |        |        |        |       |        |        |          |          |            |            |        |        |        |
| 11        | 90.00          | ZGT105090MM10 | 130.18                      | 330.20                    | 76.20                       | 406.40 | 134.94  | 127.00 | 19.00 | 19.05 | 152.40  | 636.59   | 588.96   | 495.30  | 1 3/4-5 NC     | 254.00  | 12,400                 | 63.50          |        |        |        |        |        |       |        |        |          |          |            |            |        |        |        |
|           | 3 11/16        | ZGT11531110   | 5 13/16                     | 14                        | 3                           | 17     | 6 1/8   | 5      | 3/4   | 3/4   | 8 1/4   | 27 3/4   | 26 7/16  | 22      | 2-4 1/2 NC     | 10      | 45,400                 | 214.00         |        |        |        |        |        |       |        |        |          |          |            |            |        |        |        |
|           | 3 15/16        | ZGT11531510   |                             |                           |                             |        |         |        |       |       |         |          |          |         |                |         |                        | 211.00         |        |        |        |        |        |       |        |        |          |          |            |            |        |        |        |
|           | 4              | ZGT11540010   |                             |                           |                             |        |         |        |       |       |         |          |          |         |                |         |                        | 210.00         |        |        |        |        |        |       |        |        |          |          |            |            |        |        |        |
| 100.00    | ZGT115100MM10  | 147.64        |                             |                           |                             |        |         |        |       |       |         |          |          |         |                |         |                        | 355.60         | 76.20  | 431.80 | 155.58 | 127.00 | 19.00  | 19.05 | 209.55 | 704.85 | 671.51   | 558.80   | 1 3/4-5 NC | 254.00     | 20,600 | 96.00  |        |
| 12        | 4 7/16         | ZGT125407Y10  | 6 13/16                     | 17                        | 3 1/2                       | 20     | 6 1/4   | 6      | 7/8   | 3/4   | 9 1/4   | 32 1/4   | 29 1/2   | 24 1/2  | 2-4 1/2 NC     | 10 1/2  | 53,700                 | 260.00         |        |        |        |        |        |       |        |        |          |          |            |            |        |        |        |
|           | 110.00         | ZGT125110MM10 | 173.16                      | 431.80                    | 88.90                       | 508.00 | 158.75  | 152.40 | 22.00 | 19.05 | 234.95  | 819.15   | 749.30   | 622.30  | 2-4 1/2 NC     | 266.70  | 24,300                 | 118.00         |        |        |        |        |        |       |        |        |          |          |            |            |        |        |        |
|           | 115.00         | ZGT125115MM10 | 117.00                      |                           |                             |        |         |        |       |       |         |          |          |         |                |         |                        |                |        |        |        |        |        |       |        |        |          |          |            |            |        |        |        |
| 13        | 4 15/16        | ZGT13541510   | 7 3/16                      | 18                        | 3 1/2                       | 21     | 7 7/8   | 6      | 7/8   | 3/4   | 9 7/16  | 34 5/8   | 31 3/4   | 26 5/16 | 2 1/4-4 1/2 NC | 10 1/2  | 68,000                 | 329.00         |        |        |        |        |        |       |        |        |          |          |            |            |        |        |        |
|           | 5              | ZGT13550010   |                             |                           |                             |        |         |        |       |       |         |          |          |         |                |         |                        | 326.00         |        |        |        |        |        |       |        |        |          |          |            |            |        |        |        |
|           | 125.00         | ZGT135125MM10 |                             |                           |                             |        |         |        |       |       |         |          |          |         |                |         |                        | 182.56         | 457.20 | 88.90  | 533.40 | 200.03 | 152.40 | 22.00 | 19.05  | 239.71 | 879.48   | 806.45   | 668.34     | 2-4 1/2 NC | 266.70 | 30,800 | 149.00 |
|           | 130.00         | ZGT135130MM10 |                             |                           |                             |        |         |        |       |       |         |          |          |         |                |         |                        | 148.00         |        |        |        |        |        |       |        |        |          |          |            |            |        |        |        |
| 14        | 5 7/16         | ZGT14550710   | 9 11/16                     | 23                        | 7                           | 31     | 8       | 10     | 1 1/8 | 1     | 10 1/2  | 44 7/8   | 42 1/4   | 35      | 3-4 NC         | 10 1/2  | 125,000                | 1,200.00       |        |        |        |        |        |       |        |        |          |          |            |            |        |        |        |
|           | 140.00         | ZGT145140MM10 | 246.06                      | 584.20                    | 177.80                      | 787.40 | 203.20  | 254.00 | 28.00 | 25.40 | 266.70  | 1,139.83 | 1,073.15 | 889.00  | 2 1/4-4 1/2 NC | 266.70  | 56,200                 | 545.00         |        |        |        |        |        |       |        |        |          |          |            |            |        |        |        |
| 15        | 5 15/16        | ZGT15551510   | 9 11/16                     | 23                        | 7                           | 31     | 8 1/8   | 10     | 1 1/8 | 1     | 10 1/2  | 44 7/8   | 42 1/4   | 35      | 3-4 NC         | 10 1/2  | 125,000                | 1,200.00       |        |        |        |        |        |       |        |        |          |          |            |            |        |        |        |
|           | 6              | ZGT15560010   |                             |                           |                             |        |         |        |       |       |         |          |          |         |                |         |                        | 1,200.00       |        |        |        |        |        |       |        |        |          |          |            |            |        |        |        |
|           | 150.00         | ZGT155150MM10 |                             |                           |                             |        |         |        |       |       |         |          |          |         |                |         |                        | 246.06         | 584.20 | 177.80 | 787.40 | 206.38 | 254.00 | 28.00 | 25.40  | 266.70 | 1,139.83 | 1,073.15 | 889.00     | 3-4 NC     | 266.70 | 56,200 | 545.00 |
| 16        | 160.00         | ZGT155160MM10 | 246.06                      | 584.20                    | 177.80                      | 787.40 | 206.38  | 254.00 | 28.00 | 25.40 | 266.70  | 1,139.83 | 1,073.15 | 889.00  | 3-4 NC         | 266.70  | 56,200                 | 545.00         |        |        |        |        |        |       |        |        |          |          |            |            |        |        |        |
|           | 6 7/16         | ZGT16560710   | 9 11/16                     | 23                        | 7                           | 31     | 8 3/4   | 10     | 1 1/8 | 1     | 10 1/2  | 44 7/8   | 42 1/4   | 35      | 3-4 NC         | 10 1/2  | 125,000                | 1,200.00       |        |        |        |        |        |       |        |        |          |          |            |            |        |        |        |
| 6 15/16   | ZGT16561510    | 1,200.00      |                             |                           |                             |        |         |        |       |       |         |          |          |         |                |         |                        |                |        |        |        |        |        |       |        |        |          |          |            |            |        |        |        |

Continued...

Continued...

## Bearing Dimensions

| Size Code | Shaft Diameter | Part Number   | A<br>Base to<br>Centerline<br>Height | B<br>Frame<br>Bolt Hole<br>Spacing | G<br>Bolt Hole<br>Spacing<br>(Width) | C      | D                             | E      | F                             | H     | J                              | L                              | S                              | X      | Y      | Adjust.                        | Allowable<br>Working<br>Load | Approx.<br>Weight |
|-----------|----------------|---------------|--------------------------------------|------------------------------------|--------------------------------------|--------|-------------------------------|--------|-------------------------------|-------|--------------------------------|--------------------------------|--------------------------------|--------|--------|--------------------------------|------------------------------|-------------------|
| 16        | 7              | ZGT16570010   | 9 <sup>11</sup> / <sub>16</sub>      | 23                                 | 7                                    | 31     | 8 <sup>3</sup> / <sub>4</sub> | 10     | 1 <sup>1</sup> / <sub>8</sub> | 1     | 10 <sup>1</sup> / <sub>2</sub> | 44 <sup>7</sup> / <sub>8</sub> | 42 <sup>1</sup> / <sub>4</sub> | 35     | 3-4 NC | 10 <sup>1</sup> / <sub>2</sub> | 125,000                      | 1,200.00          |
|           | 180.00         | ZGT165180MM10 | 246.06                               | 584.20                             | 177.80                               | 787.40 | 222.25                        | 254.00 | 28.00                         | 25.40 | 266.70                         | 1,139.83                       | 1,073.15                       | 889.00 | 3-4 NC | 266.70                         | 56,200                       | 545.00            |

## Additional Notes

Please call 1-866-REXNORD for availability  
 Metric bore sizes available, see Rex Interchangeability guide  
 Lubrication fitting tap size, 1/8 PT  
 Bore size = nominal shaft size +.001 in/-.000 in (*+0.03 mm/-0.00 mm*)  
 Seals - To specify K or M seal, replace "Z" in part number with "K" or "M"  
 Auxiliary end caps - available in all size codes  
 Allowable working load is 2/3 yield strength

For the Selection Guide, Load Ratings and Speed Limits, see the Rex Spherical Roller Bearings Engineering section  
 Note: Dimensions subject to change. Certified dimensions of ordered material furnished on request.

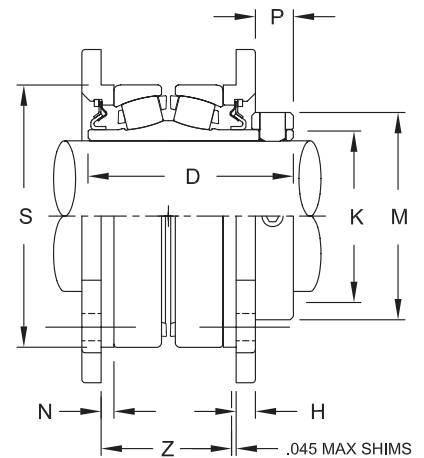
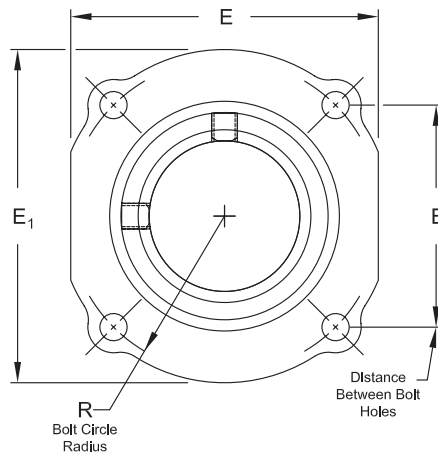
# ZD2000



Photo Shows a Spherical Roller Bearing Duplex Unit

## Product Features

- Corrosion-resistant powder coating
- Cast iron housing
- Misalignment capabilities - total of 4°
- Broad range of sealing options
- Factory set clearance & lubrication
- Precision ground & superfinished raceways
- Hardened spring locking collar
- Field interchangeable seals
- See Features & Benefits for additional info.



## Bearing Dimensions

| Size Code | Shaft Diameter | Part Number | B Distance Between Bolt Holes | R Bolt Circle Radius | D      | E1    | E       | F    | H      | K       | M       | N      | P      | S      | Z     | Recommended Housing Bore Diameter | Approx. Weight |        |        |        |        |       |       |         |        |      |       |          |        |          |       |
|-----------|----------------|-------------|-------------------------------|----------------------|--------|-------|---------|------|--------|---------|---------|--------|--------|--------|-------|-----------------------------------|----------------|--------|--------|--------|--------|-------|-------|---------|--------|------|-------|----------|--------|----------|-------|
| 4         | 1 7/16         | ZD2107      | 2 9/16                        | 1 13/16              | 2 7/8  | 3 3/4 | 3 5/16  | 3/8  | 5/16   | 1 3/4   | 2 5/16  | 7/32   | 5/8    | 2.8380 | 1.725 | 2.8360                            | 3.00           |        |        |        |        |       |       |         |        |      |       |          |        |          |       |
|           | 1 1/2          | ZD2108      |                               |                      |        |       |         |      |        |         |         |        |        |        |       |                                   | 2.90           |        |        |        |        |       |       |         |        |      |       |          |        |          |       |
|           | 35.00          | ZD2035MM    |                               |                      |        |       |         |      |        |         |         |        |        |        |       |                                   | 65.09          | 46.04  | 73.02  | 96.30  | 84.14  | 10.00 | 7.94  | 44.450  | 58.74  | 5.54 | 15.88 | 72.0852  | 43.815 | 72.0344  | 1.40  |
| 5         | 1 11/16        | ZD2111      | 2 7/8                         | 2 1/32               | 3 1/8  | 4 1/4 | 3 3/4   | 3/8  | 5/16   | 2 1/32  | 2 19/32 | 3/16   | 5/8    | 3.3500 | 1.930 | 3.3480                            | 4.20           |        |        |        |        |       |       |         |        |      |       |          |        |          |       |
|           | 1 3/4          | ZD2112      |                               |                      |        |       |         |      |        |         |         |        |        |        |       |                                   | 4.00           |        |        |        |        |       |       |         |        |      |       |          |        |          |       |
|           | 40.00          | ZD2040MM    |                               |                      |        |       |         |      |        |         |         |        |        |        |       |                                   | 73.02          | 15.59  | 79.38  | 107.95 | 95.25  | 10.00 | 7.94  | 26.190  | 65.88  | 5.02 | 15.88 | 85.0900  | 49.022 | 85.0392  | 2.00  |
|           | 45.00          | ZD2045MM    |                               |                      |        |       |         |      |        |         |         |        |        |        |       |                                   | 1.90           |        |        |        |        |       |       |         |        |      |       |          |        |          |       |
| 6         | 1 15/16        | ZD2115      | 3                             | 2 1/8                | 3 1/8  | 4 1/2 | 4       | 3/8  | 5/16   | 2 5/16  | 2 7/8   | 3/16   | 2 1/32 | 3.5470 | 1.875 | 3.5450                            | 4.60           |        |        |        |        |       |       |         |        |      |       |          |        |          |       |
|           | 2              | ZD2200      |                               |                      |        |       |         |      |        |         |         |        |        |        |       |                                   | 4.50           |        |        |        |        |       |       |         |        |      |       |          |        |          |       |
|           | 50.00          | ZD2050MM    |                               |                      |        |       |         |      |        |         |         |        |        |        |       |                                   | 76.20          | 59.98  | 79.38  | 114.30 | 101.60 | 10.00 | 7.94  | 58.740  | 73.03  | 5.02 | 16.66 | 90.0938  | 47.625 | 90.0430  | 2.10  |
| 7         | 2 3/16         | ZD2203      | 3 13/32                       | 2 13/32              | 3 5/16 | 5 1/8 | 4 9/16  | 7/16 | 5/16   | 2 5/8   | 3 1/4   | 1/8    | 1 1/16 | 3.9400 | 1.880 | 3.9390                            | 6.20           |        |        |        |        |       |       |         |        |      |       |          |        |          |       |
|           | 2 1/4          | ZD2204      |                               |                      |        |       |         |      |        |         |         |        |        |        |       |                                   | 6.10           |        |        |        |        |       |       |         |        |      |       |          |        |          |       |
|           | 55.00          | ZD2055MM    |                               |                      |        |       |         |      |        |         |         |        |        |        |       |                                   | 85.52          | 61.11  | 84.14  | 130.18 | 115.89 | 11.00 | 7.94  | 66.680  | 82.55  | 3.18 | 17.45 | 100.0760 | 47.752 | 86.1822  | 2.80  |
| 8         | 2 3/8          | ZD2206      | 3 23/32                       | 2 5/8                | 3 1/2  | 5 1/2 | 4 15/16 | 1/2  | 5/16   | 2 29/32 | 3 9/16  | 1/4    | 3/4    | 4.3340 | 2.225 | 4.3320                            | 7.80           |        |        |        |        |       |       |         |        |      |       |          |        |          |       |
|           | 2 7/16         | ZD2207      |                               |                      |        |       |         |      |        |         |         |        |        |        |       |                                   | 7.70           |        |        |        |        |       |       |         |        |      |       |          |        |          |       |
|           | 2 1/2          | ZD2208      |                               |                      |        |       |         |      |        |         |         |        |        |        |       |                                   | 7.50           |        |        |        |        |       |       |         |        |      |       |          |        |          |       |
|           | 60.00          | ZD2060MM    |                               |                      |        |       |         |      |        |         |         |        |        |        |       |                                   | 94.43          | 66.68  | 88.90  | 139.70 | 125.41 | 13.00 | 7.94  | 73.810  | 90.49  | 6.35 | 19.05 | 110.0836 | 56.515 | 110.0328 | 3.50  |
|           | 65.00          | ZD2065MM    |                               |                      |        |       |         |      |        |         |         |        |        |        |       |                                   | 3.30           |        |        |        |        |       |       |         |        |      |       |          |        |          |       |
| 9         | 2 11/16        | ZD2211      | 4 21/64                       | 3 1/16               | 4      | 6 1/2 | 6       | 1/2  | 3/8    | 3 3/8   | 4 1/16  | 1/4    | 3/4    | 5.1200 | 2.600 | 5.1190                            | 13.30          |        |        |        |        |       |       |         |        |      |       |          |        |          |       |
|           | 2 3/4          | ZD2212      |                               |                      |        |       |         |      |        |         |         |        |        |        |       |                                   | 13.10          |        |        |        |        |       |       |         |        |      |       |          |        |          |       |
|           | 2 15/16        | ZD2215      |                               |                      |        |       |         |      |        |         |         |        |        |        |       |                                   | 12.10          |        |        |        |        |       |       |         |        |      |       |          |        |          |       |
|           | 3              | ZD2300      |                               |                      |        |       |         |      |        |         |         |        |        |        |       |                                   | 11.60          |        |        |        |        |       |       |         |        |      |       |          |        |          |       |
|           | 70.00          | ZD2070MM    |                               |                      |        |       |         |      |        |         |         |        |        |        |       |                                   | 109.93         | 77.79  | 101.60 | 165.10 | 152.40 | 13.00 | 9.53  | 85.730  | 103.19 | 6.35 | 19.05 | 130.0480 | 66.040 | 130.0226 | 6.00  |
| 10        | 3 3/16         | ZD2303      | 4 61/64                       | 3 1/2                | 4 3/8  | 7 3/8 | 6 13/16 | 5/8  | 7/16   | 3 31/32 | 4 29/32 | 3/16   | 7/8    | 5.9080 | 2.664 | 5.9060                            | 18.70          |        |        |        |        |       |       |         |        |      |       |          |        |          |       |
|           | 3 7/16         | ZD2307      |                               |                      |        |       |         |      |        |         |         |        |        |        |       |                                   | 17.20          |        |        |        |        |       |       |         |        |      |       |          |        |          |       |
|           | 3 1/2          | ZD2308      |                               |                      |        |       |         |      |        |         |         |        |        |        |       |                                   | 16.80          |        |        |        |        |       |       |         |        |      |       |          |        |          |       |
|           | 80.00          | ZD2080MM    |                               |                      |        |       |         |      |        |         |         |        |        |        |       |                                   | 125.80         | 88.90  | 111.13 | 187.33 | 173.04 | 16.00 | 11.11 | 100.810 | 124.62 | 5.02 | 22.23 | 105.0632 | 67.666 | 150.0124 | 18.50 |
|           | 90.00          | ZD2090MM    |                               |                      |        |       |         |      |        |         |         |        |        |        |       |                                   | 17.80          |        |        |        |        |       |       |         |        |      |       |          |        |          |       |
| 11        | 3 11/16        | ZD2311      | 6 3/16                        | 4 3/8                | 5 1/16 | 9 1/8 | 8 5/8   | 5/8  | 1 7/32 | 4 9/16  | 5 5/8   | 1 5/64 | 1      | 7.0890 | 3.190 | 7.0880                            | 35.50          |        |        |        |        |       |       |         |        |      |       |          |        |          |       |
|           | 3 15/16        | ZD2315      |                               |                      |        |       |         |      |        |         |         |        |        |        |       |                                   | 31.20          |        |        |        |        |       |       |         |        |      |       |          |        |          |       |
|           | 4              | ZD2400      |                               |                      |        |       |         |      |        |         |         |        |        |        |       |                                   | 30.50          |        |        |        |        |       |       |         |        |      |       |          |        |          |       |
|           | 100.00         | ZD2100MM    |                               |                      |        |       |         |      |        |         |         |        |        |        |       |                                   | 157.16         | 111.13 | 128.59 | 231.78 | 219.08 | 16.00 | 13.49 | 115.890 | 142.88 | 5.94 | 25.40 | 180.0606 | 81.026 | 180.0352 | 14.20 |

## Additional Notes

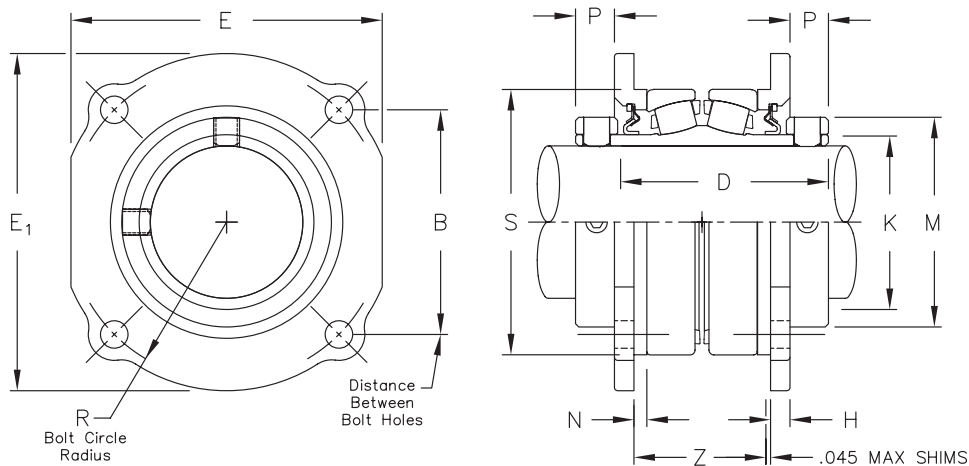
- Please call 1-866-REXNORD for availability
- Metric bore sizes available, see Rex Interchangeability guide
- Bore size = nominal shaft size +.001 in/-.000 in (+0.03 mm/-0.00 mm)
- Outer race O.D. tolerance, +.000"/-.001" (-0.00 mm/+0.03 mm)
- Recommended housing bore diameter tolerance, +.002"/-.000" (+0.05 mm/-0.00 mm)
- Seals - To specify K or M seal, replace "Z" in part number with "K" or "M"
- Auxiliary end caps - not available

For the Selection Guide, Load Ratings and Speed Limits, see the Rex Spherical Roller Bearings Engineering section  
 Note: Dimensions subject to change. Certified dimensions of ordered material furnished on request.

# ZD5000



Photo Shows a Spherical Roller Bearing Duplex Unit



## Product Features

- Corrosion-resistant powder coating
  - Cast iron housing
  - Misalignment capabilities - total of 4°
  - Broad range of sealing options
  - Factory set clearance & lubrication
  - Precision ground & superfinished raceways
  - Two hardened spring locking collars
  - Field interchangeable seals
- See Features & Benefits for additional info.

## Bearing Dimensions

| Size Code | Shaft Diameter | Part Number | B Distance Between Bolt Holes | R Bolt Circle Radius | D       | E1     | E       | F     | H       | K        | M       | N     | P        | S        | Z        | Recommended Housing Bore Diameter | Approx. Weight |
|-----------|----------------|-------------|-------------------------------|----------------------|---------|--------|---------|-------|---------|----------|---------|-------|----------|----------|----------|-----------------------------------|----------------|
| 4         | 1 7/16         | ZD5107      | 2 9/16                        | 1 13/16              | 3 9/16  | 3 3/4  | 3 5/16  | 3/8   | 5/16    | 1 3/4    | 2 5/16  | 7/32  | 5/8      | 2.8380   | 1.725    | 2.8360                            | 3.40           |
|           | 35.00          | ZD5035MM    | 65.09                         | 46.04                | 90.49   | 96.30  | 84.14   | 10.00 | 7.94    | 44.450   | 58.74   | 5.54  | 15.88    | 72.0852  | 43.815   | 72.0344                           | 1.50           |
| 5         | 1 1/2          | ZD5108      | 2 7/8                         | 2 1/32               | 3 13/16 | 4 1/4  | 3 3/4   | 3/8   | 5/16    | 2 1/32   | 2 19/32 | 3/16  | 5/8      | 3.3500   | 1.930    | 3.3480                            | 5.40           |
|           | 1 11/16        | ZD5111      |                               |                      |         |        |         |       |         |          |         |       |          |          |          |                                   | 4.80           |
|           | 40.00          | ZD5040MM    | 73.02                         | 15.59                | 96.84   | 107.95 | 95.25   | 10.00 | 7.94    | 26.190   | 65.88   | 5.02  | 15.88    | 85.0900  | 49.022   | 85.0392                           | 2.50           |
| 6         | 45.00          | ZD5045MM    |                               |                      |         |        |         |       |         |          |         |       |          |          |          |                                   | 2.30           |
|           | 1 15/16        | ZD5115      | 3                             | 2 1/8                | 3 13/16 | 4 1/2  | 4       | 3/8   | 5/16    | 2 5/16   | 2 7/8   | 3/16  | 2 1/32   | 3.5470   | 1.875    | 3.5450                            | 5.20           |
| 7         | 50.00          | ZD5050MM    | 76.20                         | 59.98                | 96.84   | 114.30 | 101.60  | 10.00 | 7.94    | 58.740   | 73.03   | 5.02  | 16.66    | 90.0938  | 47.625   | 90.0430                           | 2.40           |
|           | 2              | ZD5200      | 3 13/32                       | 2 13/32              | 4 1/8   | 5 1/8  | 4 9/16  | 7/16  | 5/16    | 2 5/8    | 3 1/4   | 1/8   | 1 1/16   | 3.9400   | 1.880    | 3.9390                            | 7.90           |
|           | 2 3/16         | ZD5203      |                               |                      |         |        |         |       |         |          |         |       |          |          |          |                                   | 7.30           |
| 55.00     | ZD5055MM       | 85.52       | 61.11                         | 104.78               | 130.18  | 115.89 | 11.00   | 7.94  | 2 5/8   | 82.55    | 3.18    | 17.45 | 100.0760 | 47.752   | 86.1822  | 3.30                              |                |
| 8         | 2 7/16         | ZD5207      | 3 23/32                       | 2 5/8                | 4 3/8   | 5 1/2  | 4 15/16 | 1/2   | 5/16    | 2 29/32  | 3 9/16  | 1/4   | 3/4      | 4.3340   | 2.225    | 4.3320                            | 8.80           |
|           | 60.00          | ZD5060MM    | 94.43                         | 66.68                | 111.13  | 139.70 | 125.41  | 13.00 | 7.94    | 73.810   | 90.49   | 6.35  | 19.05    | 110.0836 | 56.515   | 110.0328                          | 4.00           |
|           | 65.00          | ZD5065MM    |                               |                      |         |        |         |       |         |          |         |       |          |          |          |                                   |                |
| 2 1/2     | ZD5208         | 4 2 1/64    | 3 1/16                        | 4 7/8                | 6 1/2   | 6      | 1/2     | 3/8   | 3 3/8   | 4 1/16   | 1/4     | 3/4   | 5.1200   | 2.600    | 5.1190   | 16.60                             |                |
| 2 11/16   | ZD5211         |             |                               |                      |         |        |         |       |         |          |         |       |          |          |          | 15.30                             |                |
| 2 15/16   | ZD5215         |             |                               |                      |         |        |         |       |         |          |         |       |          |          |          | 13.20                             |                |
| 70.00     | ZD5070MM       |             |                               |                      |         |        |         |       |         |          |         |       |          |          |          | 7.00                              |                |
| 75.00     | ZD5075MM       | 109.93      | 77.79                         | 123.83               | 165.10  | 152.40 | 13.00   | 9.53  | 85.730  | 103.19   | 6.35    | 19.05 | 130.0480 | 66.040   | 130.0226 | 6.70                              |                |
| 10        | 3 3/16         | ZD5303      | 4 6 1/64                      | 3 1/2                | 5 5/16  | 7 3/8  | 6 13/16 | 5/8   | 7/16    | 3 3 1/32 | 4 29/32 | 3/16  | 7/8      | 5.9080   | 2.664    | 5.9060                            | 21.20          |
|           | 3 7/16         | ZD5307      |                               |                      |         |        |         |       |         |          |         |       |          |          |          |                                   | 19.40          |
|           | 80.00          | ZD5080MM    |                               |                      |         |        |         |       |         |          |         |       |          |          |          |                                   | 9.60           |
|           | 85.00          | ZD5085MM    |                               |                      |         |        |         |       |         |          |         |       |          |          |          |                                   | 9.40           |
| 90.00     | ZD5090MM       | 125.80      | 88.90                         | 134.94               | 187.33  | 173.04 | 16.00   | 11.11 | 100.810 | 124.62   | 5.02    | 22.23 | 105.0632 | 67.666   | 150.0124 | 9.10                              |                |
| 11        | 3 11/16        | ZD5311      | 6 3/16                        | 4 3/8                | 6 1/8   | 9 1/8  | 8 5/8   | 5/8   | 17/32   | 4 9/16   | 5 5/8   | 15/64 | 1        | 7.0890   | 3.190    | 7.0880                            | 38.00          |
|           | 3 15/16        | ZD5315      |                               |                      |         |        |         |       |         |          |         |       |          |          |          |                                   | 35.00          |
|           | 4              | ZD5400      |                               |                      |         |        |         |       |         |          |         |       |          |          |          |                                   | 34.00          |
|           | 100.00         | ZD5100MM    |                               |                      |         |        |         |       |         |          |         |       |          |          |          |                                   | 157.16         |

## Additional Notes

- Please call 1-866-REXNORD for availability
- Metric bore sizes available, see Rex Interchangeability guide
- Bore size = nominal shaft size +.001 in/-.000 in (+0.03 mm/-0.00 mm)
- Outer race O.D. tolerance, +.000 in/-.001 in (-0.00 mm/+0.03 mm)
- Recommended housing bore diameter tolerance, +.002 in/-.000 in (+0.05 mm/-0.00 mm)
- Seals - To specify K or M seal, replace "Z" in part number with "K" or "M"

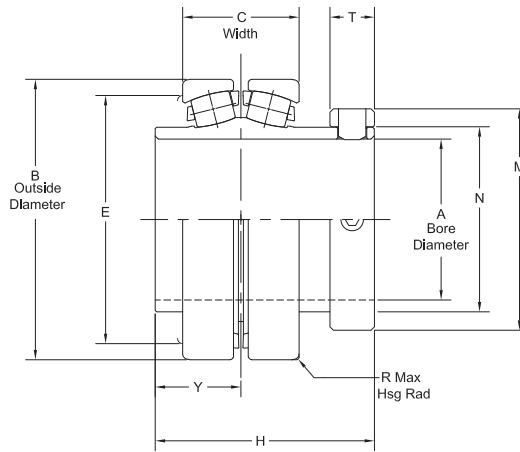
- Auxiliary end caps - not available
- For the Selection Guide, Load Ratings and Speed Limits, see the Rex Spherical Roller Bearings Engineering section
- Note: Dimensions subject to change. Certified dimensions of ordered material furnished on request.



Photo Shows an Unmounted Spherical Roller Bearing

**Product Features**

- Precision ground & superfinished raceways
- Hardened spring locking collar
- Self aligning
- See Features & Benefits for additional info.



**Bearing Dimensions**

| Size Code | Shaft Diameter                  | Part Number | A        | B           | C          | E          | H           | M          | N         | R Housing Max | T         | Y         | Approx. Weight |
|-----------|---------------------------------|-------------|----------|-------------|------------|------------|-------------|------------|-----------|---------------|-----------|-----------|----------------|
| 2         | <sup>3</sup> / <sub>4</sub>     | 2012U       | 0.7500   | 2.3775      | 1.19       | 2.00       | 2.57        | 1.74       | 1.31      | 0.04          | 0.5       | 1.00      | 1.30           |
|           | <sup>15</sup> / <sub>16</sub>   | 2015U       | 0.9375   |             |            |            |             |            |           |               |           |           |                |
|           | 1                               | 2100U       | 1.0000   |             |            |            |             |            |           |               |           |           |                |
|           | 25.00 mm                        | 2025MMU     | 25.00 mm | 60.3885 mm  | 30.1752 mm | 50.800 mm  | 65.075 mm   | 44.069 mm  | 33.198 mm | 1.168 mm      | 12.700 mm | 25.400 mm | 0.60 kg        |
| 3         | 1 <sup>1</sup> / <sub>8</sub>   | 2102U       | 1.1250   | 2.6275      | 1.31       | 2.31       | 2.69        | 1.96       | 1.53      | 0.05          | 0.5       | 1.06      | 1.80           |
|           | 1 <sup>3</sup> / <sub>16</sub>  | 2103U       | 1.1875   |             |            |            |             |            |           |               |           |           |                |
|           | 1 <sup>1</sup> / <sub>4</sub>   | 2104U       | 1.2500   |             |            |            |             |            |           |               |           |           |                |
|           | 30.00 mm                        | 2030MMU     | 30.00 mm | 66.7385 mm  | 33.3248 mm | 58.750 mm  | 68.275 mm   | 49.784 mm  | 38.913 mm | 1.575 mm      | 12.700 mm | 26.975 mm | 0.80 kg        |
| 4         | 1 <sup>7</sup> / <sub>16</sub>  | 2107U       | 1.4375   | 2.8370      | 1.31       | 2.50       | 2.88        | 2.30       | 1.75      | 0.05          | 0.63      | 1.09      | 2.20           |
|           | 1 <sup>1</sup> / <sub>2</sub>   | 2108U       | 1.5000   |             |            |            |             |            |           |               |           |           |                |
|           | 35.00 mm                        | 2035MMU     | 35.00 mm | 72.0598 mm  | 33.274 mm  | 63.500 mm  | 73.025 mm   | 58.420 mm  | 44.323 mm | 1.575 mm      | 15.875 mm | 27.788 mm | 1.00 kg        |
| 5         | 1 <sup>11</sup> / <sub>16</sub> | 2111U       | 1.6875   | 3.3490      | 1.58       | 2.88       | 3.13        | 2.58       | 2.03      | 0.05          | 0.63      | 1.22      | 3.20           |
|           | 1 <sup>3</sup> / <sub>4</sub>   | 2112U       | 1.7500   |             |            |            |             |            |           |               |           |           |                |
|           | 40.00 mm                        | 2040MMU     | 40.00 mm |             |            |            |             |            |           |               |           |           |                |
|           | 45.00 mm                        | 2045MMU     | 45.00 mm | 85.0646 mm  | 40.0812 mm | 73.025 mm  | 79.375 mm   | 65.583 mm  | 51.486 mm | 1.575 mm      | 15.875 mm | 30.963 mm | 1.50 kg        |
| 6         | 1 <sup>15</sup> / <sub>16</sub> | 2115U       | 1.9375   | 3.5460      | 1.53       | 3.19       | 3.13        | 2.88       | 2.31      | 0.05          | 0.63      | 1.22      | 3.30           |
|           | 2                               | 2200U       | 2.0000   |             |            |            |             |            |           |               |           |           |                |
|           | 50.00mm                         | 2050MMU     | 50.00mm  | 90.0684 mm  | 38.760 mm  | 80.975 mm  | 79.4385 mm  | 73.025 mm  | 58.598 mm | 1.981 mm      | 15.875 mm | 30.963 mm | 1.50 kg        |
| 7         | 2 <sup>3</sup> / <sub>16</sub>  | 2203U       | 2.1875   | 3.9395      | 1.66       | 3.50       | 3.32        | 3.25       | 2.62      | 0.05          | 0.75      | 1.25      | 4.60           |
|           | 2 <sup>1</sup> / <sub>4</sub>   | 2204U       | 2.2500   |             |            |            |             |            |           |               |           |           |                |
|           | 55.00 mm                        | 2055MMU     | 55.00 mm | 100.0633 mm | 42.0624 mm | 88.900 mm  | 82.1248 mm  | 82.550 mm  | 66.548 mm | 1.575 mm      | 19.050 mm | 31.750 mm | 2.10 kg        |
| 8         | 2 <sup>3</sup> / <sub>8</sub>   | 2206U       | 2.3750   | 4.3332      | 1.75       | 3.88       | 3.51        | 3.55       | 2.90      | 0.05          | 0.81      | 1.31      | 5.80           |
|           | 2 <sup>7</sup> / <sub>16</sub>  | 2207U       | 2.4375   |             |            |            |             |            |           |               |           |           |                |
|           | 2 <sup>1</sup> / <sub>2</sub>   | 2208U       | 2.5000   |             |            |            |             |            |           |               |           |           |                |
|           | 60.00 mm                        | 2060MMU     | 60.00 mm | 110.0633 mm | 44.450 mm  | 98.425 mm  | 88.9000 mm  | 90.246 mm  | 73.685 mm | 1.981 mm      | 20.676 mm | 33.325 mm | 2.60 kg        |
|           | 65.00 mm                        | 2065MMU     | 65.00 mm |             |            |            |             |            |           |               |           |           |                |
| 9         | 2 <sup>11</sup> / <sub>16</sub> | 2211U       | 2.6875   | 5.1197      | 2.13       | 4.53       | 4.00        | 4.04       | 3.37      | 0.05          | 0.81      | 1.56      | 9.50           |
|           | 2 <sup>3</sup> / <sub>4</sub>   | 2212U       | 2.7500   |             |            |            |             |            |           |               |           |           |                |
|           | 2 <sup>15</sup> / <sub>16</sub> | 2215U       | 2.9375   |             |            |            |             |            |           |               |           |           |                |
|           | 3                               | 2300U       | 3.0000   |             |            |            |             |            |           |               |           |           |                |
|           | 70.00 mm                        | 2070MMU     | 70.00 mm |             |            |            |             |            |           |               |           |           |                |
|           | 75.00 mm                        | 2075MMU     | 75.00 mm | 130.0404 mm | 53.9750 mm | 115.087 mm | 101.6000 mm | 102.667 mm | 85.598 mm | 1.981 mm      | 20.676 mm | 39.726 mm | 4.30 kg        |

Continued...

Continued...

**Bearing Dimensions**

|          |                                 |          |           |             |            |            |             |            |            |          |           |           |          |
|----------|---------------------------------|----------|-----------|-------------|------------|------------|-------------|------------|------------|----------|-----------|-----------|----------|
| 10       | 3 <sup>3</sup> / <sub>16</sub>  | 2303U    | 3.1875    | 5.9070      | 2.31       | 5.34       | 4.39        | 4.90       | 3.98       | 0.05     | 0.81      | 1.72      | 13.50    |
|          | 3 <sup>7</sup> / <sub>16</sub>  | 2307U    | 3.4375    |             |            |            |             |            |            |          |           |           |          |
|          | 3 <sup>1</sup> / <sub>2</sub>   | 2308U    | 3.5000    |             |            |            |             |            |            |          |           |           |          |
|          | 80.00 mm                        | 2080MMU  | 80.00 mm  | 150.0378 mm | 58.7502 mm | 135.738 mm | 111.125 mm  | 124.562 mm | 100.965 mm | 3.175 mm | 20.676 mm | 43.663 mm | 6.10 kg  |
|          | 85.00 mm                        | 2085MMU  | 85.00 mm  |             |            |            |             |            |            |          |           |           |          |
| 90.00 mm | 2090MMU                         | 90.00 mm |           |             |            |            |             |            |            |          |           |           |          |
| 11       | 3 <sup>11</sup> / <sub>16</sub> | 2311U    | 3.6875    | 7.0885      | 2.75       | 6.38       | 5.20        | 5.63       | 4.56       | 0.05     | 1.00      | 2.00      | 24.00    |
|          | 3 <sup>15</sup> / <sub>16</sub> | 2315U    | 3.9375    |             |            |            |             |            |            | -        |           |           |          |
|          | 4                               | 2400U    | 4.0000    |             |            |            |             |            |            | -        |           |           |          |
|          | 100.00 mm                       | 2100MMU  | 100.00 mm | 180.0479 mm | 69.8500 mm | 161.925 mm | 128.5494 mm | 142.875 mm | 115.875 mm | 3.175 mm | 25.400 mm | 50.800 mm | 10.90 kg |

**Additional Notes**

Please call 1-866-REXNORD for availability

Metric bore sizes available, see Rex Interchangeability guide

Bearing O.D. tolerance, +.0000 in/-.0010 in (+0.000 mm/-0.030 mm)

Bore tolerance for all size codes, +.0010 in/-.0000 in (+0.030 mm/-0.000 mm)

For the Selection Guide, Load Ratings and Speed Limits, see the Rex Spherical Roller Bearings Engineering section

Note: Dimensions subject to change. Certified dimensions of ordered material furnished on request.

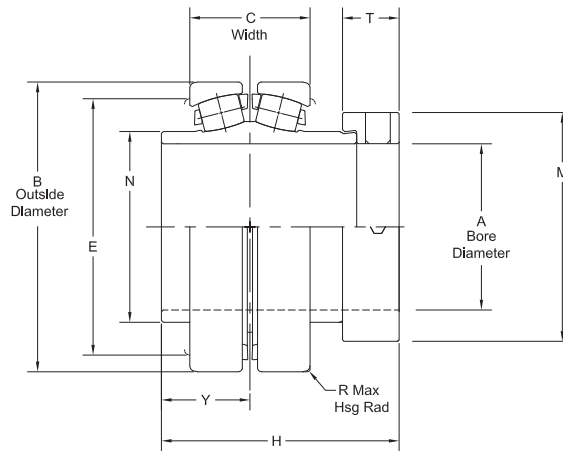
# 3000U



Photo Shows an Unmounted Spherical Roller Bearing

## Product Features

- Precision ground & superfinished raceways
- Eccentric locking collar
- Self aligning
- See Features & Benefits for additional info.



## Bearing Dimensions

| Size Code | Shaft Diameter                  | Part Number | A      | B      | C    | E    | H    | M    | N    | R Housing Max | T    | Y    | Approx. Weight |
|-----------|---------------------------------|-------------|--------|--------|------|------|------|------|------|---------------|------|------|----------------|
| 4         | 1 <sup>7</sup> / <sub>16</sub>  | 3107U       | 1.4375 | 2.8370 | 1.31 | 2.50 | 2.92 | 2.30 | 1.75 | 0.05          | 0.66 | 1.09 | 2.40           |
| 5         | 1 <sup>11</sup> / <sub>16</sub> | 3111U       | 1.6875 | 3.3490 | 1.58 | 2.88 | 3.18 | 2.58 | 2.03 | 0.05          | 0.68 | 1.22 | 3.40           |
| 6         | 1 <sup>15</sup> / <sub>16</sub> | 3115U       | 1.9375 | 3.5460 | 1.53 | 3.19 | 3.28 | 2.75 | 2.31 | 0.05          | 0.72 | 1.22 | 3.50           |
| 7         | 2 <sup>3</sup> / <sub>16</sub>  | 3203U       | 2.1875 | 3.9395 | 1.66 | 3.50 | 3.50 | 3.25 | 2.62 | 0.05          | 0.92 | 1.25 | 4.90           |
| 8         | 2 <sup>7</sup> / <sub>16</sub>  | 3207U       | 2.4375 | 4.3332 | 1.75 | 3.88 | 3.65 | 3.55 | 2.90 | 0.05          | 0.94 | 1.31 | 6.00           |
|           | 2 <sup>1</sup> / <sub>2</sub>   | 3208U       | 2.5000 |        |      |      |      |      |      |               |      |      |                |
| 9         | 2 <sup>11</sup> / <sub>16</sub> | 3211U       | 2.6875 | 5.1197 | 2.13 | 4.53 | 4.20 | 4.04 | 3.37 | 0.05          | 1.00 | 1.56 | 9.50           |
|           | 2 <sup>15</sup> / <sub>16</sub> | 3215U       | 2.9375 |        |      |      |      |      |      |               |      |      |                |
| 10        | 3 <sup>7</sup> / <sub>16</sub>  | 3307U       | 3.4375 | 5.9070 | 2.31 | 5.34 | 4.57 | 4.90 | 3.98 | 0.05          | 1.00 | 1.72 | 13.00          |
|           | 3 <sup>1</sup> / <sub>2</sub>   | 3308U       | 3.5000 |        |      |      |      |      |      |               |      |      |                |
| 11        | 3 <sup>15</sup> / <sub>16</sub> | 3315U       | 3.9375 | 7.0885 | 2.75 | 6.38 | 5.19 | 5.63 | 4.56 | 0.05          | 1.00 | 2.00 | 23.20          |

## Additional Notes

- Please call 1-866-REXNORD for availability
- Bearing O.D. tolerance, +.0000 in/- .0010 in (**+0.000 mm/-0.030 mm**)
- Bore tolerance for all size codes, +.0010 in/- .0000 in (**+0.030 mm/-0.000 mm**)
- For the Selection Guide, Load Ratings and Speed Limits, see the Rex Spherical Roller Bearings Engineering section
- Note: Dimensions subject to change. Certified dimensions of ordered material furnished on request.

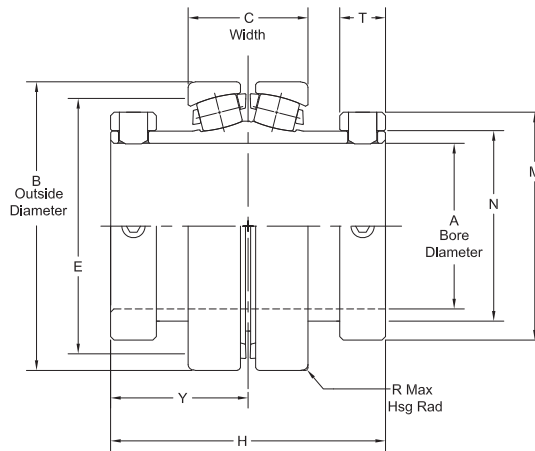
# 5000U



Photo Shows an Unmounted Spherical Roller Bearing

### Product Features

- Precision ground & superfinished raceways
- Two hardened spring locking collars
- Self aligning
- See Features & Benefits for additional info.



### Bearing Dimensions

| Size Code | Shaft Diameter | Part Number | A      | B       | C    | E     | H    | M    | N    | R Housing Max | T    | Y    | Approx. Weight |
|-----------|----------------|-------------|--------|---------|------|-------|------|------|------|---------------|------|------|----------------|
| 4         | 1 7/16         | 5107U       | 1.4375 | 2.8370  | 1.31 | 2.50  | 3.45 | 2.30 | 1.75 | 0.05          | 0.63 | 1.78 | 2.70           |
| 5         | 1 1/2          | 5108U       | 1.5000 | 3.3490  | 1.58 | 2.88  | 3.81 | 2.58 | 2.03 | 0.05          | 0.63 | 1.91 | 4.00           |
|           | 1 11/16        | 5111U       | 1.6875 |         |      |       |      |      |      |               |      |      |                |
| 6         | 1 15/16        | 5115U       | 1.9375 | 3.5460  | 1.53 | 3.19  | 3.81 | 2.88 | 2.31 | 0.05          | 0.63 | 1.91 | 4.10           |
| 7         | 2              | 5200U       | 2.0000 | 3.9395  | 1.66 | 3.50  | 4.13 | 3.25 | 2.62 | 0.05          | 0.75 | 2.06 | 6.10           |
|           | 2 3/16         | 5203U       | 2.1875 |         |      |       |      |      |      |               |      |      |                |
| 8         | 2 7/16         | 5207U       | 1.4375 | 4.3332  | 1.75 | 3.88  | 4.37 | 3.55 | 2.90 | 0.05          | 0.81 | 2.19 | 6.80           |
| 9         | 2 1/2          | 5208U       | 2.5000 | 5.1197  | 2.13 | 4.53  | 4.87 | 4.04 | 3.37 | 0.05          | 0.81 | 2.44 | 11.50          |
|           | 2 11/16        | 5211U       | 2.6875 |         |      |       |      |      |      |               |      |      |                |
|           | 2 3/4          | 5212U       | 2.7500 |         |      |       |      |      |      |               |      |      |                |
|           | 2 15/16        | 5215U       | 2.9375 |         |      |       |      |      |      |               |      |      |                |
| 10        | 3 3/16         | 5303U       | 3.1875 | 5.9070  | 2.31 | 5.34  | 5.32 | 4.90 | 3.98 | 0.05          | 0.81 | 2.66 | 16.00          |
|           | 3 7/16         | 5307U       | 3.4375 |         |      |       |      |      |      |               |      |      |                |
| 11        | 3 11/16        | 5311U       | 3.6875 | 7.0885  | 2.75 | 6.38  | 6.25 | 5.63 | 4.56 | 0.05          | 1.00 | 3.06 | 26.00          |
|           | 3 15/16        | 5315U       | 3.9375 |         |      |       |      |      |      |               |      |      |                |
| 12        | 4              | 5400U       | 4.0000 | 7.6815  | 2.79 | 6.88  | 6.25 | 6.19 | 5.03 | 0.05          | 1.00 | 3.13 | 29.50          |
|           | 4 3/16         | 5403YU      | 4.1875 |         |      |       |      |      |      |               |      |      |                |
|           | 4 7/16         | 5407YU      | 4.4375 |         |      |       |      |      |      |               |      |      |                |
|           | 4 1/2          | 5408YU      | 4.5000 |         |      |       |      |      |      |               |      |      |                |
| 13        | 4 15/16        | 5415U       | 4.9375 | 9.0574  | 3.56 | 8.00  | 7.88 | 7.05 | 5.75 | 0.05          | 1.06 | 3.94 | 61.00          |
|           | 5              | 5500U       | 5.0000 |         |      |       |      |      |      |               |      |      |                |
| 14        | 5 7/16         | 5507U       | 5.4375 | 10.6322 | 3.91 | 9.25  | 8.00 | 8.19 | 6.50 | 0.05          | 1.19 | 4.00 | 79.00          |
|           | 5 15/16        | 5515U       | 5.9375 |         |      |       |      |      |      |               |      |      |                |
| 15        | 6              | 5600U       | 6.0000 | 11.4196 | 4.01 | 10.13 | 8.13 | 8.64 | 7.20 | 0.05          | 1.13 | 4.07 | 95.00          |
|           | 6 7/16         | 5607U       | 6.4375 |         |      |       |      |      |      |               |      |      |                |
| 16        | 6 15/16        | 5615U       | 6.9375 | 12.6006 | 4.28 | 11.25 | 8.75 | 9.72 | 8.05 | 0.06          | 1.19 | 4.38 | 112.00         |
|           | 7              | 5700U       | 7.0000 |         |      |       |      |      |      |               |      |      |                |

### Additional Notes

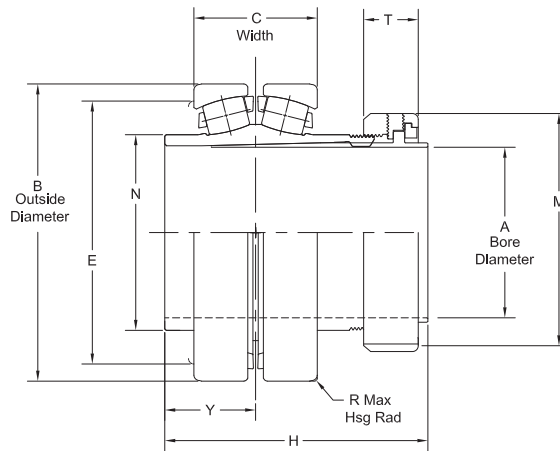
- Please call 1-866-REXNORD for availability
- Metric bore sizes available, see Rex Interchangeability guide
- Bearing O.D. tolerance for size codes 4 thru 13, +0.000 in/-0.010 in (+0.000 mm/-0.030 mm); for all other size codes, +0.000 in/-0.015 in (+0.000 mm/-0.038 mm)
- Bore tolerance for all size codes, +0.010 in/-0.000 in (+0.030 mm/-0.000 mm)
- For the Selection Guide, Load Ratings and Speed Limits, see the Rex Spherical Roller Bearings Engineering section

Note: Dimensions subject to change. Certified dimensions of ordered material furnished on request.





Photo Shows an Unmounted Spherical Roller Bearing



**Product Features**

- Spyglass™ Optical Strain Sensor (OSS) Technology
- Positive locking system
- Tapered adapter sleeve
- Precision ground & superfinished raceways
- Self aligning
- See Features & Benefits for additional info.

**Bearing Dimensions**

| Size Code | Shaft Diameter | Part Number | A          | B           | C          | E          | H           | M          | N         | R Housing Max | T         | Y         | Approx. Weight |
|-----------|----------------|-------------|------------|-------------|------------|------------|-------------|------------|-----------|---------------|-----------|-----------|----------------|
| 4         | 1 7/16         | 6107U       | 1.4375     | 2.8370      | 1.31       | 2.50       | 3.33        | 2.38       | 1.75      | 0.05          | 0.79      | 1.10      | 1.7            |
| 5         | 1 11/16        | 6111U       | 1.6875     | 3.3490      | 1.58       | 2.88       | 3.74        | 2.64       | 2.03      | 0.05          | 0.81      | 1.23      | 2.7            |
| 6         | 1 15/16        | 6115U       | 1.9375     | 3.5460      | 1.53       | 3.19       | 3.64        | 2.86       | 2.31      | 0.05          | 0.77      | 1.29      | 3.30           |
|           | 45.00 mm       | 6045MMU     | 45.00 mm   | 90.0684 mm  | 38.760 mm  | 80.975 mm  | 92.4204 mm  | 72.746 mm  | 58.598 mm | 1.981 mm      | 19.685 mm | 32.868 mm | 1.50 kg        |
| 7         | 2 3/16         | 6203U       | 2.1875     | 3.9395      | 1.66       | 3.50       | 3.77        | 3.24       | 2.62      | 0.05          | 0.82      | 1.25      | 4.60           |
|           | 55.00 mm       | 6055MMU     | 55.00 mm   | 100.0633 mm | 42.0624 mm | 88.900 mm  | 93.4568 mm  | 81.991 mm  | 66.548 mm | 1.575 mm      | 20.904 mm | 31.750 mm | 2.10 kg        |
| 8         | 2 3/8          | 6206U       | 2.3750     | 4.3332      | 1.75       | 3.88       | 4.16        | 3.59       | 2.90      | 0.05          | 0.90      | 1.31      | 5.80           |
|           | 2 7/16         | 6207U       | 2.4375     |             |            |            |             |            |           |               |           |           |                |
|           | 60.00 mm       | 6060MMU     | 60.00 mm   | 110.0633 mm | 44.450 mm  | 98.425 mm  | 103.0478 mm | 91.262 mm  | 73.685 mm | 1.981 mm      | 22.885 mm | 33.325 mm | 2.60 kg        |
| 9         | 2 11/16        | 6211U       | 2.6875     | 5.1197      | 2.13       | 4.53       | 4.53        | 4.09       | 3.37      | 0.05          | 0.94      | 1.56      | 9.50           |
|           | 2 3/4          | 6212U       | 2.7500     |             |            |            |             |            |           |               |           |           |                |
|           | 2 15/16        | 6215U       | 2.9375     |             |            |            |             |            |           |               |           |           |                |
|           | 70.00 mm       | 6070MMU     | 70.00 mm   |             |            |            |             |            |           |               |           |           |                |
|           | 75.00 mm       | 6075MMU     | 75.00 mm   | 130.0404 mm | 53.9750 mm | 115.087 mm | 115.1001 mm | 104.140 mm | 85.598 mm | 1.981 mm      | 23.876 mm | 39.726 mm | 4.30 kg        |
| 10        | 3 3/16         | 6303U       | 3.1875     | 5.9070      | 2.31       | 5.34       | 5.14        | 4.95       | 3.98      | 0.05          | 1.09      | 1.73      | 13.50          |
|           | 3 7/16         | 6307U       | 3.4375     |             |            |            |             |            |           |               |           |           |                |
|           | 80.00 mm       | 6080MMU     | 80.00 mm   |             |            |            |             |            |           |               |           |           |                |
|           | 85.00 mm       | 6085MMU     | 85.00 mm   |             |            |            |             |            |           |               |           |           |                |
|           | 150.0378 mm    | 58.7502 mm  | 135.738 mm | 127.7798 mm | 125.730 mm | 100.965 mm | 3.175 mm    | 27.661 mm  | 43.815 mm | 6.10 kg       |           |           |                |
| 11        | 3 11/16        | 6311U       | 3.6875     | 7.0885      | 2.75       | 6.38       | 5.97        | 5.67       | 4.56      | 0.05          | 1.22      | 2.00      | 24.00          |
|           | 3 15/16        | 6315U       | 3.9375     |             |            |            |             |            |           |               |           |           |                |
|           | 100.00 mm      | 6100MMU     | 100.00 mm  |             |            |            |             |            |           |               |           |           |                |
|           | 180.0479 mm    | 69.8500 mm  | 161.925 mm | 147.0228 mm | 144.018 mm | 115.875 mm | 3.175 mm    | 31.039 mm  | 50.800 mm | 10.90 kg      |           |           |                |
| 12        | 4 3/16         | 6403YU      | 4.1875     | 7.6815      | 2.79       | 6.88       | 6.25        | 6.06       | 5.03      | 0.05          | 1.30      | 2.25      | 29.50          |
|           | 4 7/16         | 6407YU      | 4.4375     |             |            |            |             |            |           |               |           |           |                |
|           | 110.00 mm      | 6110MMU     | 110.00 mm  |             |            |            |             |            |           |               |           |           |                |
|           | 195.1101 mm    | 68.0491 mm  | 174.752 mm | 158.8872 mm | 154.026 mm | 127.813 mm | 3.175 mm    | 33.096 mm  | 57.150 mm | 13.40 kg      |           |           |                |
| 13        | 4 15/16        | 6415U       | 4.9375     | 9.0574      | 3.56       | 8.00       | 7.93        | 6.95       | 5.75      | 0.05          | 1.55      | 2.91      | 61.00          |
|           | 125.00 mm      | 6125MMU     | 125.00 mm  |             |            |            |             |            |           |               |           |           |                |
|           | 230.0580 mm    | 90.3249 mm  | 203.200 mm | 201.0105 mm | 176.555 mm | 146.050 mm | 3.175 mm    | 39.370 mm  | 73.812 mm | 27.70 kg      |           |           |                |
| 14        | 5 7/16         | 6507U       | 5.4375     | 10.6322     | 3.97       | 9.25       | 8.77        | 8.02       | 6.50      | 0.05          | 2.01      | 2.92      | 79.00          |
| 15        | 5 15/16        | 6515U       | 5.9375     | 11.4196     | 7.01       | 10.13      | 9.30        | 8.66       | 7.20      | 0.05          | 2.21      | 2.93      | 95.00          |
| 16        | 6 7/16         | 6607U       | 6.4375     | 12.6006     | 4.27       | 11.25      | 10.00       | 9.75       | 8.05      | 0.06          | 2.42      | 3.25      | 112.00         |
|           | 6 15/16        | 6615U       | 6.9375     |             |            |            |             |            |           |               |           |           |                |

**Additional Notes**

- Please call 1-866-REXNORD for availability
- Bearing O.D. tolerance, +.0000 in/-.0010 in (+0.000 mm/-0.030 mm)
- Bore tolerance for all size codes, +.0010 in/-.0000 in (+0.030 mm/-0.000 mm)
- For the Selection Guide, Load Ratings and Speed Limits, see the Rex Spherical Roller Bearings Engineering section
- Note: Dimensions subject to change. Certified dimensions of ordered material furnished on request.

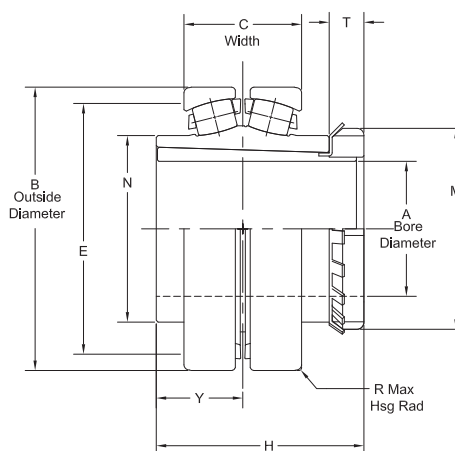
# 9000U



Photo Shows an Unmounted Spherical Roller Bearing

## Product Features

- Precision ground & superfinished raceways
- Enhanced life mounting style
- Self aligning
- See Features & Benefits for additional info.



## Bearing Dimensions

| Size Code | Shaft Diameter | Part Number | A      | B       | C    | E     | H    | M    | N    | R Housing Max | T    | Y    | Approx. Weight |
|-----------|----------------|-------------|--------|---------|------|-------|------|------|------|---------------|------|------|----------------|
| 7         | 1 15/16        | 9115U       | 1.9375 | 3.9395  | 1.66 | 3.50  | 3.14 | 2.97 | 2.62 | 0.05          | 0.55 | 1.25 | 4.20           |
|           | 2              | 9200U       | 2.0000 |         |      |       |      |      |      |               |      |      |                |
| 8         | 2 3/16         | 9203U       | 2.1875 | 4.3332  | 1.75 | 3.88  | 3.34 | 3.38 | 2.90 | 0.05          | 0.62 | 1.31 | 5.30           |
|           | 2 7/16         | 9207U       | 2.4375 |         |      |       |      |      |      |               |      |      |                |
| 9         | 2 1/2          | 9208U       | 2.5000 | 5.1197  | 2.13 | 4.53  | 3.74 | 3.63 | 3.37 | 0.05          | 0.63 | 1.56 | 7.80           |
|           | 2 11/16        | 9211U       | 2.6875 |         |      |       |      |      |      |               |      |      |                |
| 10        | 2 15/16        | 9215U       | 2.9375 | 5.9070  | 2.31 | 5.34  | 4.25 | 4.41 | 3.98 | 0.05          | 0.72 | 1.72 | 13.00          |
|           | 3              | 9300U       | 3.0000 |         |      |       |      |      |      |               |      |      |                |
|           | 3 3/16         | 9303U       | 3.1875 |         |      |       |      |      |      |               |      |      |                |
| 11        | 3 7/16         | 9307U       | 3.4375 | 7.0885  | 2.75 | 6.38  | 5.07 | 5.19 | 4.56 | 0.05          | 0.83 | 2.00 | 25.00          |
|           | 3 11/16        | 9311YU      | 3.6875 |         |      |       |      |      |      |               |      |      |                |
|           | 3 15/16        | 9315YU      | 3.9375 |         |      |       |      |      |      |               |      |      |                |
| 12        | 4              | 9400YU      | 4.0000 | 7.6815  | 2.79 | 6.88  | 5.41 | 5.72 | 5.03 | 0.05          | 0.89 | 2.38 | 25.00          |
|           | 4 3/16         | 9403U       | 4.1875 |         |      |       |      |      |      |               |      |      |                |
|           | 4 7/16         | 9407U       | 4.4375 |         |      |       |      |      |      |               |      |      |                |
| 13        | 4 15/16        | 9415U       | 4.9375 | 10.6322 | 3.98 | 9.25  | 7.19 | 7.09 | 6.50 | 0.05          | 1.05 | 2.93 | 69.00          |
|           | 5              | 9500U       | 5.0000 |         |      |       |      |      |      |               |      |      |                |
|           | 5 3/16         | 9503U       | 5.1875 |         |      |       |      |      |      |               |      |      |                |
| 14        | 5 7/16         | 9507U       | 5.4375 | 11.4196 | 4.01 | 10.13 | 7.57 | 8.06 | 7.20 | 0.05          | 1.18 | 2.94 | 85.00          |
|           | 5 15/16        | 9515U       | 5.9375 |         |      |       |      |      |      |               |      |      |                |
| 15        | 6              | 9600U       | 6.0000 | 12.6006 | 4.28 | 11.25 | 7.75 | 9.06 | 8.05 | 0.06          | 1.24 | 3.25 | 104.00         |
|           | 6 7/16         | 9607U       | 6.4375 |         |      |       |      |      |      |               |      |      |                |
|           | 6 3/4          | 9615U       | 6.8750 |         |      |       |      |      |      |               |      |      |                |

## Additional Notes

- Please call 1-866-REXNORD for availability
- Bearing O.D. tolerance for size codes 7 thru 13, +.0000 in/-.0010 in (+0.000 mm/-0.030 mm) for all other size codes, +.0000 in/-.0015 in (+0.000 mm/-0.038 mm)
- Bore tolerance for all size codes, +.0010 in/-.0000 in (+0.030 mm/-0.000 mm)
- For the Selection Guide, Load Ratings and Speed Limits, see the Rex Spherical Roller Bearings Engineering section
- Note: Dimensions subject to change. Certified dimensions of ordered material furnished on request.

## Rex Replacement Kits



Set Collar Kit



Eccentric Locking Collar Kit



Threaded Cover Kit



Adapter Sleeve Kit



Z Seal Kit - Contains 2 Seal Assemblies



K Seal Kit - Contains 2 Seal Assemblies



M Seal Kit - Contains 2 Seal Assemblies



Microlock Assembly Kit

### Part Numbers

| Size Code | Z       | K    | M     | Threaded Cover Kit | Set Collar Kit | Eccentric Locking Collar Kit | Microlock Assembly Kit | Adapter Assembly Kit             |
|-----------|---------|------|-------|--------------------|----------------|------------------------------|------------------------|----------------------------------|
| 2         | ZS2     | KS2  | MS2   | TC2                | SC2            | -                            | ML2                    | -                                |
| 3         | ZS3     | KS3  | MS3   | TC3                | SC3            | -                            | ML2                    | -                                |
| 4         | ZS4     | KS4  | MS4   | TC4                | SC4            | SC3107                       | ML2                    | -                                |
| 5         | ZS5     | KS5  | MS5   | TC5                | SC5            | SC3111                       | ML2                    | -                                |
| 6         | ZS6     | KS6  | MS6   | TC6                | SC6            | SC3115                       | ML2                    | -                                |
| 7         | ZS7     | KS7  | MS7   | TC7                | SC7            | SC3203                       | ML2                    | AK7115<br>AK7200                 |
| 8         | ZS8     | KS8  | MS8   | TC8                | SC8            | SC3207<br>SC3208             | ML3                    | AK8203                           |
| 9         | ZS9     | KS9  | MS9   | TC9                | SC9            | SC3211<br>SC3215             | ML3                    | AK9207<br>AK9208                 |
| 10        | ZS10    | KS10 | MS10  | TC10               | SC10           | SC3307<br>SC3308             | ML4*                   | AK10211<br>AK10215<br>AK10300    |
| 11        | ZS11    | KS11 | MS11  | TC11               | SC11           | SC3315                       | ML4                    | AK11303<br>AK11307<br>AK11308    |
| 12        | ZS12Y   | -    | MS12Y | TC12Y              | SC12Y          | -                            | ML4                    | AK12311Y<br>AK12315Y<br>AK12400Y |
| 13        | ZS13    | -    | MS13  | TC13               | SC13           | -                            | ML4                    | AK13403<br>AK13407               |
| 14        | ZS14NEW | -    | MS14  | TC14NEW            | SC14           | -                            | ML4                    | AK14415<br>AK14500               |
| 15        | ZS15NEW | -    | MS15  | TC15NEW            | SC15           | -                            | ML4                    | AK15503<br>AK15507               |
| 16        | ZS16NEW | -    | MS16  | TC16NEW            | SC16           | -                            | ML4                    | AK16515<br>AK16600<br>AK16607    |

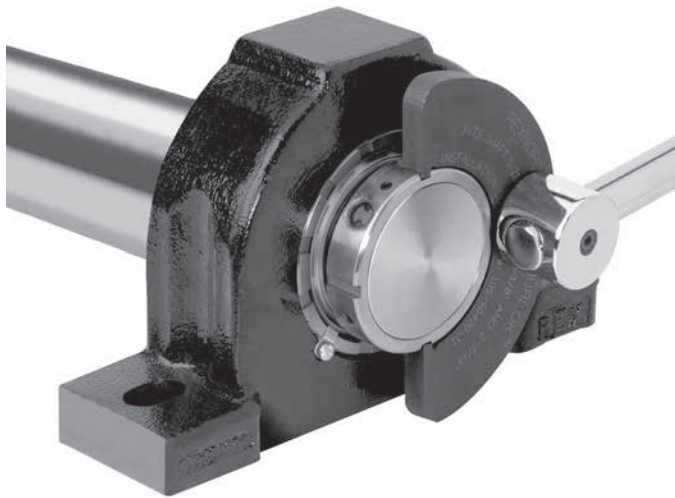
### Additional Notes

\*Floating units require ML-3



### SHURLOK Installation Tools

Rex is pleased to offer a quick installation tool for the SHURLOK bearing. This tool is designed as a supplement to the spanner wrench or drift pin method. The installation tool can be attached to a 3/4" or 1/2" drive ratchet, torque wrench, or breaker bar which can be used as a lever arm. Simply fit the installation tool over the locknut by placing the tool's teeth into the locknut slots. The tool's unique shape allows it to be used from the side or the top of the bearing. To order, refer to the table below for the installation tool that fits your shaft size.

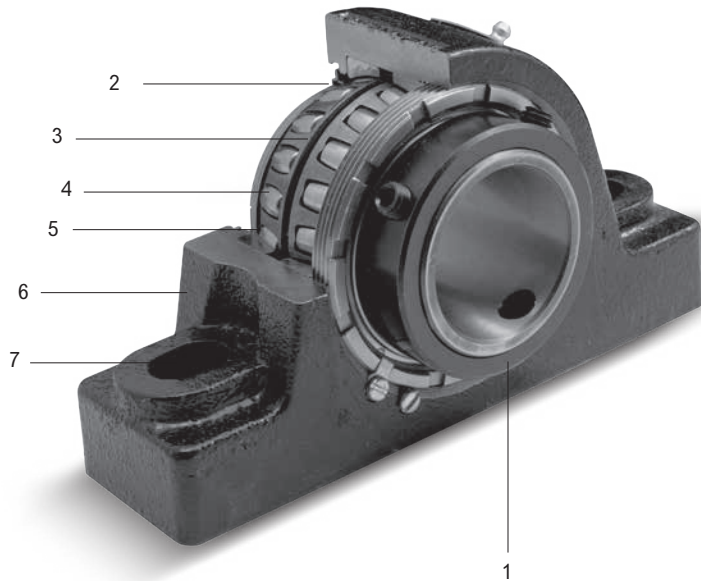


| Bearing Size | Wrench Style Installation Tool Part Number | Impact Style Installation Tool Part Number |
|--------------|--|--|
| 107          | N6107-SPN                                  | N6107-IMP                                  |
| 111          | N6111-SPN                                  | N6111-IMP                                  |
| 115          | 105-90420-11                               | 105-90425-11                               |
| 203          | 105-90420-21                               | 105-90425-21                               |
| 206/207      | 105-90420-31                               | 105-90425-31                               |
| 211/212/215  | 105-90420-41                               | 105-90425-41                               |
| 303/307      | 105-90420-51                               | 105-90425-51                               |
| 311/315      | 105-90420-61                               | 105-90425-61                               |
| 403/407      | 105-90420-71                               | 105-90425-71                               |
| 415          | 105-90420-81                               | 105-90425-81                               |
| 507          |  | 105-90425-91                               |
| 515          |  | 105-90426-11                               |
| 607/615      |  | 105-90426-21                               |



### Industries Served

Mining  
Forest Products  
Aggregates  
Steel  
Air Handling  
Construction  
Package Handling



## Link-Belt Spherical Roller Bearings

Self-aligning double row spherical roller bearings are designed to distribute the load over the symmetrical rollers, assuring positive tracking and smooth operation. The large roller complement provides high capacity for radial or combined radial-thrust loads. Osculation clearance at the ends of the rollers compensates for shock loads and prevents destructive edge loading. These precision bearings with double contoured retainer pockets are designed to meet a broad range of application requirements.



### 1. Mounting feature

- B22400 Series – Spring locking collar locks inner ring securely to shaft.
- B22500 Series – Two spring locking collars lock inner ring securely to shaft.
- B22600 Series – Tapered adapter mounting system.

### 2. Choice of three seals

- Floating Labyrinth Type H
- Spring-Loaded Lip Type E
- Triple Lip Type E7

### 3. Long inner ring for high stability and load support

### 4. Self-aligning double row

Spherical roller bearing allows for +/- 2 degrees of misalignment to accommodate variations between shaft and support structure as well as shaft deflection during operation.

### 5. Double contoured retainer pockets

Assures accurate roller control.

### 6. One-piece cast iron or cast steel housing.

### 7. Slotted bolt holes in pillow block

Bases facilitate mounting; bottom of base is machined.

## Spring Locking Collar(s) – B22400 & B22500 Series

The spring locking collar(s) design provides a secure grip of the wide inner ring bearing to the shaft. The set screws extend through the inner ring of the bearing and lock firmly onto the shaft. Installation is fast and simple. Correctly tightening the set screws produces elastic strain in the spring locking collar resulting in a continuous pressure on the set screw threads and providing a positive lock.

## Series B22400, B22500 & B22600 Spherical Roller Bearing Units and Takeups – Features and Benefits

Series B22400 are single collar mounted spherical roller bearing units. Series B22500 are double collar mounted spherical roller bearing units. Series B22600 are adapter mounted spherical roller bearing units. These units provide economic and versatile arrangements for supporting shafts carrying substantial radial or combination radial and thrust loads. These units are especially adaptable for conveyors, elevators, general industrial machinery, heavier duty fans and blowers, power transmission applications, ditchers, trenchers, pavers and other such applications. These series of bearings are easy to mount, sealed, pre-lubricated and do not require bearing adjustment during mounting.

## Adapter Mount – B22600 Series

The adapter mounting provides better concentricity and shaft control, increasing service life. Where Turned, Ground and Polished shafting is the norm on collar-mounted units, the maximized mounting power of the B22600 allows for Commercial Grade Shafting compatibility (a commonly used grade of shafting due to its price and availability). Shaft damage from set screws is eliminated with the B22600's improved mounting design. Shaft damage from the bearing inner ring fretting to the shaft (the result of a clearance or loose fit) is also eliminated. These improvements facilitate easier bearing removal, replacement bearing installation and longer shaft service life.

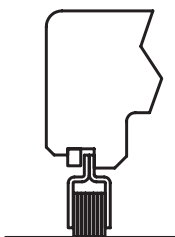


## Interchangeable Seals

Three standard sealing systems are available; each offering maximum protection for various application conditions. These seals are interchangeable and are designed for grease lubrication.

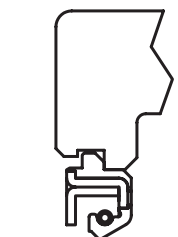
### Type H Seal

Type H floating labyrinth seals have multiple self-centering rings held securely in a steel carrier. Type H seals are normally furnished.



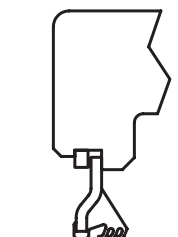
### Type E Seal

Type E spring loaded lip seals utilize a spring to provide uniform pressure for keeping the sealing lip in contact with the inner ring. Type E seals are normally used for liquid splash environments.



### Type E7 Seal

Type E7 triple lip seal with metal outboard guard is designed for the most severe of applications. The outboard metal guard protects the inner seal lips from abrasion and damage. The three molded, heavy contact lips provide excellent protection from abrasive media, dust and moisture.



## One-Piece Cast Iron or Cast Steel Housings

Compact one-piece housings provide for strength and load support. Scientifically contoured housing design provides superior rigidity. Cast iron or cast steel pillow blocks have two or four slotted bolt holes with ample space provided for drilling dowel pin holes. Flanged and flanged cartridge units have drilled mounting

holes and machined mounting surfaces for maximum stability. Cartridge units have cast iron or steel housings and are finished to precision tolerances. Take-up units have machined slots for smooth, precise operation. Pillow blocks, flanged, and cartridge units are available for fixed or expansion operation.



# Nomenclature

| Symbol     | Description   | P | E - | B22 | 4 | 39 | F | H | C | 18A |
|------------|---|---|-----|-----|---|----|---|---|---|-----|
| C          | Cartridge unit  |   |     |     |   |    |   |   |   |     |
| CSE        | Cartridge unit; steel housing                                       |   |     |     |   |    |   |   |   |     |
| EF         | Type E Flanged unit; 4-bolt square                                  |   |     |     |   |    |   |   |   |     |
| EP         | Type E Pillow block; cast iron                                      |   |     |     |   |    |   |   |   |     |
| F          | Flanged unit; 3- and 4-bolt   |   |     |     |   |    |   |   |   |     |
| FB         | Flanged bracket unit  |   |     |     |   |    |   |   |   |     |
| FC         | Flanged cartridge unit; 4-bolt round                                |   |     |     |   |    |   |   |   |     |
| P          | Pillow block  |   |     |     |   |    |   |   |   |     |
| PK         | Pillow block; cast iron housing                                     |   |     |     |   |    |   |   |   |     |
| T          | Take-up unit, slotted guides  |   |     |     |   |    |   |   |   |     |
| DS         | Take-up, conveyor, hinged top, welded steel frame                   |   |     |     |   |    |   |   |   |     |
| DSH        | Take-up, conveyor, extra strength, welded steel frame               |   |     |     |   |    |   |   |   |     |
| R          | Collar opposite cover (B22400 only)                                 |   |     |     |   |    |   |   |   |     |
| E          | Expansion unit (not used with CSE symbol)                           |   |     |     |   |    |   |   |   |     |
| B22        | Spherical roller bearing; extended inner ring separable outer rings |   |     |     |   |    |   |   |   |     |
| 4          | 400 series designation (one locking collar)                         |   |     |     |   |    |   |   |   |     |
| 5          | 500 series designation (two locking collars)                        |   |     |     |   |    |   |   |   |     |
| 6          | 600 series designation (adapter mounted)                            |   |     |     |   |    |   |   |   |     |
| B          | Inner ring bore equal to a bore of preceding smaller bearing group  |   |     |     |   |    |   |   |   |     |
| 39         | Shaft diameter in 16ths of an inch                                  |   |     |     |   |    |   |   |   |     |
| M55        | Metric series, bore in mm   |   |     |     |   |    |   |   |   |     |
| F          | Four bolt base pillow block   |   |     |     |   |    |   |   |   |     |
| H          | Floating labyrinth seal   |   |     |     |   |    |   |   |   |     |
| E          | Spring-loaded lip seal  |   |     |     |   |    |   |   |   |     |
| E7         | Triple lip seal   |   |     |     |   |    |   |   |   |     |
| C          | Closed end unit   |   |     |     |   |    |   |   |   |     |
| 18         | Take-up adjustment, inches  |   |     |     |   |    |   |   |   |     |
| K4         | 100% grease filled  |   |     |     |   |    |   |   |   |     |
| K5         | No grease - preservative only                                       |   |     |     |   |    |   |   |   |     |
| K6         | 100% grease filled and housing plugged                              |   |     |     |   |    |   |   |   |     |
| K93        | Threaded cover held by dog point set screws                         |   |     |     |   |    |   |   |   |     |
| K98        | Threaded cover held by face lock set screws                         |   |     |     |   |    |   |   |   |     |
| 18A        | SHC100 Grease   |   |     |     |   |    |   |   |   |     |
| 18W        | SHC460 Grease   |   |     |     |   |    |   |   |   |     |
| 18Y        | SHC220 Grease   |   |     |     |   |    |   |   |   |     |
| 4C         | Dow Corning DC44 Grease   |   |     |     |   |    |   |   |   |     |
| 99A        | Food Grade Grease   |   |     |     |   |    |   |   |   |     |
| 2, 3, 4, 5 | Clearances other than standard                                      |   |     |     |   |    |   |   |   |     |



## Seal Rating Guide

| Application Conditions           | Seal Ratings |               |            |
|----------------------------------|--------------|---------------|------------|
|                                  | Clearance    | Heavy Contact | Triple Lip |
|                                  | H            | E             | E7         |
| <b>Shaft position</b>            |              |               |            |
| Horizontal Shaft                 | 4            | 4             | 4          |
| Vertical Shaft                   | 1            | 4             | 4          |
| <b>Operating Temperature</b>     |              |               |            |
| Below -40°F                      | 4            | 1             | 1          |
| -40°F to 0°F                     | 4            | 3             | 3          |
| 0°F to +250°F                    | 4            | 4             | 4          |
| +250°F to +400°F                 | 4            | 0             | 0          |
| Over 400°F                       | 4            | 0             | 0          |
| <b>Speed</b>                     |              |               |            |
| Equal to / Less than limit below | 4            | 4             | 4          |
| More than limit below            | 4            | 1             | 1          |
| <b>Vibration/Shock</b>           |              |               |            |
| Occasional - Mild                | 3            | 4             | 4          |
| Occasional - Severe              | 2            | 4             | 4          |
| Continuous - Mild                | 1            | 3             | 3          |
| Continuous - Severe              | 0            | 3             | 3          |
| <b>Abrasive Material</b>         |              |               |            |
| Coarse - Over #10 Mesh           | 4            | 4             | 4          |
| Small - #10 to #50 Mesh          | 3            | 4             | 4          |
| Fine - #50 to #200 Mesh          | 1            | 4             | 4          |
| Very fine - Under #200 Mesh      | 0            | 4             | 4          |
| Caking or buildup (cement, etc.) | 2            | 4             | 4          |
| <b>Moisture</b>                  |              |               |            |
| Splash                           | 2            | 4             | 4          |
| Rain                             | 2            | 4             | 4          |
| Saturated Atmosphere             | 1            | 4             | 4          |
| Flooding                         | 0            | 3             | 4          |
| Pressure Wash                    | 0            | 4             | 4          |
| <b>Fibrous Material</b>          |              |               |            |
| Short Fibers (lint, etc.)        | 1            | 4             | 4          |
| Long Fibers (grass, etc.)        | 1            | 4             | 4          |
| <b>Chemical</b>                  |              |               |            |
| Acid Fumes and Liquids           | 1            | 1             | 1          |
| Alkaline Fumes and Liquids       | 1            | 1             | 1          |

### Rating Code

4 - Excellent - Best seal for conditions listed.

3 - Good - Sealability is above average.

2 - Fair - Seal performs under intermittent conditions.

1 - Limited - Actual conditions must be known to evaluate sealability. Contact Rexnord for special assistance in the realm of materials and designs.

0 - Not acceptable - Will not effectively perform seal functions. Contact Rexnord for special assistance in the realm of materials and designs.

### Seal Selection Guide

The choice of the seal for a mounted bearing is often the key to successful bearing operation and long service life. The SEAL SELECTION GUIDE incorporates years of Rexnord's experience against the wide variety of conditions encountered on actual applications. Following the simple selection procedure outlined can translate the benefits of that broad experience to the individual applications through the choice of the most effective seal.

### How to Use the Selection Guide

1. The appropriate seal for a given application may be selected by comparing the job application conditions against those listed in the SEAL RATING GUIDE on this page.
2. When more than one application condition is present, the most appropriate seal may be selected based on prime sealing for the most detrimental condition, and secondary consideration given to the other application conditions.

### Considerations in Addition to Seal Selection

Under certain adverse conditions, other changes should be considered to achieve maximum bearing life:

- A. High temperature lubricants where housing or ambient temperatures exceed +200°F,
- B. Special greases for additional bearing protection where excessive water, solvents or chemicals are present.
- C. EP (extreme pressure) greases where high load, high shock load, or continuous vibration is present.
- D. Readjustment of internal operating clearance of bearing where extreme high or low temperature conditions exist.

## Seal Speed Limit Table\*

| Size Code      | B416   | B420   | B424             | B428             | B432                                  | B436                        | B440             | B448                        | B456                                 | B464                       | B572                       | B580                       |                  |
|----------------|--------|--------|------------------|------------------|---------------------------------------|-----------------------------|------------------|-----------------------------|--------------------------------------|----------------------------|----------------------------|----------------------------|------------------|
| Bearing Series | B22400 | B22416 | B22419<br>B22420 | B22423<br>B22424 | B224B24<br>B22426<br>B22427<br>B22428 | B224B28<br>B22431<br>B22432 | B22435<br>B22436 | B224B36<br>B22439<br>B22440 | B22443<br>B22444<br>B22447<br>B22448 | B22451<br>B22455<br>B22456 | B22459<br>B22463<br>B22464 |                            |                  |
|                | B22500 |        |                  | B22523           | B22527                                | B22531                      | B22532<br>B22535 | B22539                      | B22543<br>B22547                     | B22555                     | B22563<br>B22564           | B22567<br>B22571<br>B22572 | B22579<br>B22580 |
|                | B22600 |        |                  | B22623           | B22627                                | B22631                      | B22635           | B22639                      | B22643<br>B22647                     | B22655                     | B22663                     |                            |                  |
| (RPM)          | H      | 4500   | 4000             | 3600             | 3100                                  | 2800                        | 2500             | 2300                        | 1950                                 | 1650                       | 1400                       | 1300                       | 1200             |
|                | E      | 3500   | 3000             | 2750             | 2350                                  | 2150                        | 1950             | 1750                        | 1500                                 | 1250                       | 1100                       | 1000                       | 900              |
|                | E7     | N/A    | 2375             | 2175             | 1850                                  | 1675                        | 1500             | 1350                        | 1150                                 | 1000                       | 850                        | 775                        | 650              |
| Size Code      | B416   | B420   | B424             | B428             | B432                                  | B436                        | B440             | B448                        | B456                                 | B464                       | B572                       | B580                       |                  |

Refer to Seal Rating Guide shown above for speeds in excess of those listed in this table.

\*Actual bearing speed limits are largely based upon the applied load and can be found on the Load Rating Table.

# Link-Belt Series B22400, B22500 & B22600 Spherical Roller Bearing Selection Guide

To select a bearing, determine the applied radial load, the applied thrust load, the desired Rating Life, and applicable operating conditions. The procedure shown here will aid in selecting a bearing to meet an L<sub>10</sub> design life. The formulas for calculating life expectancy should be used to determine the Rating Life L<sub>10</sub> for the bearing selected.

The selection procedures and rating formulas shown here are in agreement with the American Bearing Manufacturers Association (ABMA) standards

and ANSI/ABMA Standards STD 11-1990. Ratings are based on fatigue life. The Rating Life L<sub>10</sub> or fatigue life at 90% reliability is the usual basis for bearing selection. For radial load applications only, Table 4, can be used to select a bearing or to determine L<sub>10</sub> life expectancy.

To assure a satisfactory bearing application, fitting practice, mounting, lubrication, sealing, static rating, housing strength, operating conditions and maintenance must be considered.

## Steps for Selection

### Step 1

Determine an appropriate L<sub>10</sub> design life.

| Type of service          | Operating time, hours per year | Design life, years | L <sub>10</sub> design life, hours |
|--------------------------|--------------------------------|--------------------|------------------------------------|
| Light seasonal usage     | 500 to 750                     | 3-5                | 3,000                              |
| Heavy seasonal usage     | 1,400 to 1,600                 | 4-6                | 8,000                              |
| Industrial—8 hour shift  | 2,000                          | 10                 | 20,000                             |
| Industrial—16 hour shift | 4,000                          | 10                 | 40,000                             |
| Industrial—continuous    | 8,700                          | 10                 | 80,000 to 100,000                  |

### Step 2

Determine a required  $\left(\frac{C}{P}\right)$  from Table 1.

### Step 3

Calculate the required C and select a roller bearing.

**a** For radial load only:

$$P = F_r$$

$$\text{required } C = \left(\frac{C}{P}\right) P \text{ using } \left(\frac{C}{P}\right) \text{ from Step 2}$$

Select a roller bearing from Table 2 with a basic load rating C equal to or greater than the required C.

### Step 3 (continued)

**b** For combined radial and thrust loads:

Select a trial roller bearing of the desired shaft size from Table 2.

Calculate the ratio of thrust load  $F_a$  to the radial load  $F_r$ .

$$\frac{F_a}{F_r}$$

Calculate the equivalent radial load P

$$P = X F_r + Y F_a$$

If  $\frac{F_a}{F_r}$  is equal to or less than e, then  $P = X_1 F_r + Y_1 F_a$

If  $\frac{F_a}{F_r}$  is greater than e, then  $P = X_2 F_r + Y_2 F_a$

For values of e, X<sub>1</sub>, Y<sub>1</sub>, X<sub>2</sub>, and Y<sub>2</sub>, see Table 2.

Calculate the required C

$$\text{required } C = \left(\frac{C}{P}\right) P \text{ using } \left(\frac{C}{P}\right) \text{ from Step 2.}$$

Consult Table 2, basic load rating. If a smaller bearing meets, or nearly meets, the required C, its life expectancy can be calculated.

Note: If the load P is greater than .25C, consult Rexnord Bearing Division.

## Selection

### Symbols for formulas:

|  |   |
|--|---|
| C = basic load rating, pounds (or newtons)   | n = speed, revolutions per minute               |
| Co = static load rating, pounds (or newtons) | P = equivalent radial load, pounds (or newtons) |
| e = a reference value                        | X = radial factor                               |
| Fa = thrust load, pounds (or newtons)        | Y = thrust factor                               |
| Fr = radial load, pounds (or newtons)        |   |
| L <sub>10</sub> = rating life, hours         |   |

**Table 1 • Relation of L<sub>10</sub> life and speed to  $\left(\frac{C}{P}\right)$**

| Bearing Life Hours L <sub>10</sub> | Speed, n |      |       |       |       |       |       |       |       |  |
|------------------------------------|----------|------|-------|-------|-------|-------|-------|-------|-------|--|
|                                    | 50       | 100  | 200   | 300   | 400   | 500   | 600   | 700   | 800   |  |
| 3000                               | 1.93     | 2.38 | 2.93  | 3.31  | 3.61  | 3.86  | 4.07  | 4.27  | 4.44  |  |
| 4000                               | 2.11     | 2.59 | 3.19  | 3.61  | 3.93  | 4.20  | 4.44  | 4.65  | 4.84  |  |
| 5000                               | 2.25     | 2.77 | 3.42  | 3.86  | 4.20  | 4.50  | 4.75  | 4.97  | 5.18  |  |
| 6000                               | 2.38     | 2.93 | 3.61  | 4.07  | 4.44  | 4.75  | 5.02  | 5.25  | 5.47  |  |
| 8000                               | 2.59     | 3.19 | 3.93  | 4.44  | 4.84  | 5.18  | 5.47  | 5.73  | 5.96  |  |
| 10000                              | 2.77     | 3.42 | 4.20  | 4.75  | 5.18  | 5.54  | 5.85  | 6.12  | 6.37  |  |
| 12000                              | 2.93     | 3.61 | 4.44  | 5.02  | 5.47  | 5.85  | 6.18  | 6.47  | 6.73  |  |
| 14000                              | 3.07     | 3.78 | 4.65  | 5.25  | 5.73  | 6.12  | 6.47  | 6.77  | 7.05  |  |
| 16000                              | 3.19     | 3.93 | 4.84  | 5.47  | 5.96  | 6.37  | 6.73  | 7.05  | 7.34  |  |
| 18000                              | 3.31     | 4.07 | 5.02  | 5.66  | 6.18  | 6.60  | 6.97  | 7.30  | 7.60  |  |
| 20000                              | 3.42     | 4.20 | 5.18  | 5.85  | 6.37  | 6.81  | 7.20  | 7.54  | 7.85  |  |
| 25000                              | 3.65     | 4.50 | 5.54  | 6.25  | 6.81  | 7.29  | 7.70  | 8.06  | 8.39  |  |
| 30000                              | 3.86     | 4.75 | 5.85  | 6.60  | 7.20  | 7.70  | 8.13  | 8.51  | 8.86  |  |
| 35000                              | 4.04     | 4.97 | 6.12  | 6.92  | 7.54  | 8.06  | 8.51  | 8.92  | 9.28  |  |
| 40000                              | 4.20     | 5.18 | 6.37  | 7.20  | 7.85  | 8.39  | 8.86  | 9.28  | 9.66  |  |
| 45000                              | 4.36     | 5.36 | 6.60  | 7.46  | 8.13  | 8.69  | 9.18  | 9.61  | 10.00 |  |
| 50000                              | 4.50     | 5.54 | 6.81  | 7.70  | 8.39  | 8.97  | 9.48  | 9.92  | 10.30 |  |
| 60000                              | 4.75     | 5.85 | 7.20  | 8.13  | 8.86  | 9.48  | 10.00 | 10.50 | 10.90 |  |
| 70000                              | 4.97     | 6.12 | 7.54  | 8.51  | 9.28  | 9.92  | 10.50 | 11.00 | 11.40 |  |
| 80000                              | 5.18     | 6.37 | 7.85  | 8.86  | 9.66  | 10.30 | 10.90 | 11.40 | 11.90 |  |
| 90000                              | 5.36     | 6.60 | 8.13  | 9.18  | 10.00 | 10.70 | 11.30 | 11.80 | 12.30 |  |
| 100000                             | 5.54     | 6.81 | 8.39  | 9.48  | 10.30 | 11.00 | 11.70 | 12.20 | 12.70 |  |
| 150000                             | 6.25     | 7.70 | 9.48  | 10.70 | 11.70 | 12.50 | 13.20 | 13.80 | 14.40 |  |
| 200000                             | 6.81     | 8.39 | 10.30 | 11.70 | 12.70 | 13.60 | 14.40 | 15.00 | 15.70 |  |

|        | Speed, n |       |       |       |       |       |       |       |       |  |
|--------|----------|-------|-------|-------|-------|-------|-------|-------|-------|--|
|        | 900      | 1000  | 1200  | 1500  | 1800  | 2400  | 3000  | 3600  | 6000  |  |
| 3000   | 4.60     | 4.75  | 5.02  | 5.36  | 5.66  | 6.18  | 6.60  | 6.97  | 8.13  |  |
| 4000   | 5.02     | 5.18  | 5.47  | 5.85  | 6.18  | 6.73  | 7.20  | 7.60  | 8.86  |  |
| 5000   | 5.36     | 5.54  | 5.85  | 6.25  | 6.60  | 7.20  | 7.70  | 8.13  | 9.48  |  |
| 6000   | 5.66     | 5.85  | 6.18  | 6.60  | 6.97  | 7.60  | 8.13  | 8.59  | 10.00 |  |
| 8000   | 6.18     | 6.37  | 6.73  | 7.20  | 7.60  | 8.29  | 8.86  | 9.36  | 10.90 |  |
| 10000  | 6.60     | 6.81  | 7.20  | 7.70  | 8.13  | 8.86  | 9.48  | 10.00 | 11.70 |  |
| 12000  | 6.97     | 7.20  | 7.60  | 8.13  | 8.59  | 9.36  | 10.00 | 10.60 | 12.30 |  |
| 14000  | 7.30     | 7.54  | 7.96  | 8.51  | 8.99  | 9.80  | 10.50 | 11.10 | 12.90 |  |
| 16000  | 7.60     | 7.85  | 8.29  | 8.86  | 9.36  | 10.20 | 10.90 | 11.50 | 13.40 |  |
| 18000  | 7.88     | 8.13  | 8.59  | 9.18  | 9.70  | 10.60 | 11.30 | 11.90 | 13.90 |  |
| 20000  | 8.13     | 8.39  | 8.86  | 9.48  | 10.00 | 10.90 | 11.70 | 12.30 | 14.40 |  |
| 25000  | 8.69     | 8.97  | 9.48  | 10.10 | 10.70 | 11.70 | 12.50 | 13.20 | 15.40 |  |
| 30000  | 9.18     | 9.48  | 10.00 | 10.70 | 11.30 | 12.30 | 13.20 | 13.90 | 16.20 |  |
| 35000  | 9.61     | 9.92  | 10.50 | 11.20 | 11.80 | 12.90 | 13.80 | 14.60 | 17.00 |  |
| 40000  | 10.00    | 10.30 | 10.90 | 11.70 | 12.30 | 13.40 | 14.40 | 15.20 | 17.70 |  |
| 45000  | 10.40    | 10.70 | 11.30 | 12.10 | 12.80 | 13.90 | 14.90 | 15.70 | 18.30 |  |
| 50000  | 10.70    | 11.00 | 11.70 | 12.50 | 13.20 | 14.40 | 15.40 | 16.20 | 18.90 |  |
| 60000  | 11.30    | 11.70 | 12.30 | 13.20 | 13.90 | 15.20 | 16.20 | 17.10 | 20.00 |  |
| 70000  | 11.80    | 12.20 | 12.90 | 13.80 | 14.60 | 15.90 | 17.00 | 17.90 | 20.90 |  |
| 80000  | 12.30    | 12.70 | 13.40 | 14.40 | 15.20 | 16.50 | 17.70 | 18.70 | 21.80 |  |
| 90000  | 12.80    | 13.20 | 13.90 | 14.90 | 15.70 | 17.10 | 18.30 | 19.40 | 22.60 |  |
| 100000 | 13.20    | 13.60 | 14.40 | 15.40 | 16.20 | 17.70 | 18.90 | 20.00 | 23.30 |  |
| 150000 | 14.90    | 15.40 | 16.20 | 17.30 | 18.30 | 20.00 | 21.40 | 22.60 | 26.30 |  |
| 200000 | 16.20    | 16.70 | 17.70 | 18.90 | 20.00 | 21.80 | 23.30 | 24.60 | 28.70 |  |

## Basic Formula

$$\left(\frac{C}{P}\right) = \left(\frac{L_{10} \times n \times 60}{1,000,000}\right)^{3/10}$$

$$L_{10} = \frac{\left(\frac{C}{P}\right)^{10/3} \times 1,000,000}{n \times 60}$$

## Life Expectancy

To calculate the Rating Life L<sub>10</sub> of any selected or trial bearing:

### Step 1

Determine the equivalent radial load P.

**a** For radial load only:

$$P = Fr$$

**b** For combined radial and thrust load:

$$P = XFr + YFa$$

if  $\frac{Fa}{Fr}$  is equal to or less than e, then

$$P = X1Fr + Y1Fa$$

if  $\frac{Fa}{Fr}$  is greater than e, then

$$P = X2Fr + Y2Fa$$

For values of e, X1, Y1, X2, and Y2, consult the appropriate bearing rating Table 2.

### Step 2

Calculate the ratio of the basic load rating C to the equivalent radial load.

$$\left(\frac{C}{P}\right)$$

### Step 3

Approximate the bearing life from Table 1.

### Life Adjustment

The Rating Life, L<sub>10</sub>, may be modified for some applications in accordance with the formula

$$Ln = a1a2a3L_{10}$$

where Ln = Adjusted life for (100-n) % reliability,

a<sub>1</sub> = Life adjustment factor for reliability

a<sub>2</sub> = Life adjustment factor

for material and processing

a<sub>3</sub> = Life adjustment factor for operating conditions.

For most normal applications, all factors will be taken as 1, and the Rating Life used as the selection basis or life estimate. In addition, as long as standard catalog bearings are used, a<sub>2</sub> will be normally set equal to one.

The factor a<sub>3</sub> covers such things as lubrication, misalignment, and temperature. Some conditions that could yield a<sub>3</sub> significantly different than unity include speeds less than 20000 DN or greater than 200000 DN, temperatures below -40°F (-40°C) or above 275°F (135°C). For other possible conditions, as well as additional information on life adjustment factors, consult Rexnord Bearing Division.

**Table 2 • Load Ratings and Speed Limits**

| Size Code            | Co Static Load Rating |        | C Basic Load Rating |        | Approximate Speed Limit RPM* |        |         | e    | Fa/Fr ≤ e |      | Fa/Fr > e |      |
|----------------------|-----------------------|--------|---------------------|--------|------------------------------|--------|---------|------|-----------|------|-----------|------|
|                      | newtons               | pounds | newtons             | pounds | H seal                       | E seal | E7 seal |      | X1        | Y1   | X2        | Y2   |
| B416                 | 66279                 | 14900  | 62720               | 14100  | 4500                         | 3500   | ---     | 0.51 | 1.00      | 1.32 | 0.67      | 1.96 |
| B420                 | 81402                 | 18300  | 75175               | 16900  | 4000                         | 3000   | 1700    | 0.48 | 1.00      | 1.40 | 0.67      | 2.08 |
| B424<br>B524<br>B624 | 92968                 | 20900  | 79178               | 17800  | 3600                         | 2750   | 1575    | 0.44 | 1.00      | 1.54 | 0.67      | 2.29 |
| B428<br>B528         | 127664                | 28700  | 109871              | 24700  | 3100                         | 2350   | 1325    | 0.45 | 1.00      | 1.51 | 0.67      | 2.25 |
| B432<br>B531<br>B631 | 147681                | 33200  | 115209              | 25900  | 2800                         | 2150   | 1225    | 0.40 | 1.00      | 1.68 | 0.67      | 2.50 |
| B436<br>B536<br>B635 | 197501                | 44400  | 144567              | 32500  | 2500                         | 1950   | 1075    | 0.40 | 1.00      | 1.68 | 0.67      | 2.50 |
| B440<br>B540<br>B639 | 237980                | 53500  | 170367              | 38300  | 2300                         | 1750   | 975     | 0.38 | 1.00      | 1.80 | 0.67      | 2.68 |
| B448<br>B548<br>B647 | 318048                | 71500  | 227304              | 51100  | 1950                         | 1500   | 850     | 0.38 | 1.00      | 1.79 | 0.67      | 2.67 |
| B456<br>B556<br>B655 | 403454                | 90700  | 277124              | 62300  | 1650                         | 1250   | 725     | 0.38 | 1.00      | 1.77 | 0.67      | 2.64 |
| B464<br>B564<br>B663 | 609406                | 137000 | 429253              | 96500  | 1400                         | 1100   | 625     | 0.36 | 1.00      | 1.88 | 0.67      | 2.79 |
| B572                 | 708602                | 159300 | 486635              | 109400 | 1300                         | 1000   | 550     | 0.38 | 1.00      | 1.80 | 0.67      | 2.68 |
| B580                 | 1076025               | 241900 | 739294              | 166200 | 1200                         | 900    | 525     | 0.37 | 1.00      | 1.83 | 0.67      | 2.72 |

If the load P is greater than .25C, consult Rexnord Bearing Division.

For B22400 Series, reduce C Basic Load rating by 15%.

For B22500 Series, reduce C Basic Load rating by 5%.

For vertical shift application, consult Rexnord Bearing Division.

\*Based on grease lubrication and moderate load.

Table 3 • Size Code Interchange Table

| Shaft Size   | B22400 Series<br>Single Set Collar                                    | B22500 Series<br>Double Set Collar                 | B22600 Series<br>Tapered Adapter | Size Code            |
|--|---|--|----------------------------------|----------------------|
|  | Bearing Number  | Bearing Number                                     | Bearing Number                   |                      |
| 1<br>25mm  | B22416<br>B224M25   |  |                                  | B416                 |
| 1-3/16<br>1-1/4<br>30mm                                  | B22419<br>B22420<br>B224M30   |  |                                  | B420                 |
| 1-7/16<br>1-1/2<br>35mm                                  | B22423<br>B22424<br>B224M35   | B22523   | B22623                           | B424<br>B524<br>B624 |
| 1-1/2<br>1-5/8<br>1-11/16<br>1-3/4<br>40mm               | B224B24<br>B22426<br>B22427<br>B22428<br>B224M40                      | B22527   |                                  | B428<br>B528         |
| 1-3/4<br>1-15/16<br>2<br>45mm<br>50mm                    | B224B28<br>B22431<br>B22432<br>B224M45<br>B224M50                     | B22531   | B22631                           | B432<br>B531<br>B631 |
| 2<br>2-3/16<br>2-1/4<br>55mm                             | B22435<br>B22436<br>B224M55   | B22532<br>B22535                                   | B22635                           | B436<br>B536<br>B635 |
| 2-1/4<br>2-7/16<br>2-1/2<br>60mm                         | B224B36<br>B22439<br>B22440<br>B224M60                                | B22539   | B22639                           | B440<br>B540<br>B639 |
| 2-11/16<br>2-3/4<br>2-15/16<br>3<br>65mm<br>70mm<br>75mm | B22443<br>B22444<br>B22447<br>B22448<br>B224M65<br>B224M70<br>B224M75 | B22543<br>B22547                                   | B22643<br>B22647                 | B448<br>B548<br>B647 |
| 3-3/16<br>3-7/16<br>3-1/2<br>80mm<br>85mm                | B22451<br>B22455<br>B22456<br>B224M80<br>B224M85                      | B22555   | B22655                           | B456<br>B556<br>B655 |
| 3-11/16<br>3-15/16<br>4<br>90mm<br>100mm                 | B22459<br>B22463<br>B22464<br>B224M90<br>B224M100                     | B22559<br>B22563<br>B22564                         | B22663                           | B464<br>B564<br>B663 |
| 4-3/16<br>4-7/16<br>4-1/2<br>110mm<br>115mm              |   | B22567<br>B22571<br>B22572<br>B225M110<br>B225M115 |                                  | B572                 |
| 4-15/16<br>5<br>125mm                                    |   | B22579<br>B22580<br>B225M125                       |                                  | B580                 |

**Table 4 • Radial Load Ratings in Pounds at Various RPM for Appropriate L<sub>10</sub> Life Hours**

| Size Code | L <sub>10</sub> Lifehours | 50     | 100   | 200   | 300   | 400   | 500   | 600   | 700   | 800   | 900   | 1000  | 1200  | 1500  | 1800  | 2000  | 2500 | 3000 | 3500 |      |
|-----------|---------------------------|--------|-------|-------|-------|-------|-------|-------|-------|-------|-------|-------|-------|-------|-------|-------|------|------|------|------|
| B416      | 8000                      | *      | *     | *     | 3175  | 2912  | 2724  | 2579  | 2462  | 2365  | 2283  | 2212  | 2095  | 1959  | 1855  | 1797  | 1681 | 1591 | 1519 |      |
|           | 20000                     | *      | 3353  | 2724  | 2412  | 2212  | 2069  | 1959  | 1870  | 1797  | 1735  | 1681  | 1591  | 1488  | 1409  | 1365  | 1277 | 1209 | 1154 |      |
|           | 40000                     | 3353   | 2724  | 2212  | 1959  | 1797  | 1681  | 1591  | 1519  | 1460  | 1409  | 1365  | 1292  | 1209  | 1144  | 1109  | 1037 | 982  | 937  |      |
|           | 100000                    | 2547   | 2069  | 1681  | 1488  | 1365  | 1277  | 1209  | 1154  | 1109  | 1070  | 1037  | 982   | 918   | 869   | 842   | 788  | 746  | 712  |      |
| B420      | 8000                      | *      | *     | *     | 3805  | 3491  | 3265  | 3091  | 2951  | 2835  | 2737  | 2652  | 2510  | 2348  | 2223  | 2154  | 2014 | 1907 | 1821 |      |
|           | 20000                     | *      | 4019  | 3265  | 2891  | 2652  | 2480  | 2348  | 2242  | 2154  | 2079  | 2014  | 1907  | 1784  | 1689  | 1636  | 1530 | 1449 | 1383 |      |
|           | 40000                     | 4019   | 3265  | 2652  | 2348  | 2154  | 2014  | 1907  | 1821  | 1749  | 1689  | 1636  | 1549  | 1449  | 1372  | 1329  | 1243 | 1177 | 1124 |      |
|           | 100000                    | 3053   | 2480  | 2014  | 1784  | 1636  | 1530  | 1449  | 1383  | 1329  | 1283  | 1243  | 1177  | 1101  | 1042  | 1010  | 944  | 894  | 854  |      |
| B424      | 8000                      | *      | *     | *     | 4008  | 3676  | 3438  | 3255  | 3108  | 2986  | 2883  | 2793  | 2644  | 2473  | 2341  | 2268  | 2122 | 2009 | 1918 |      |
| B524      | 20000                     | *      | 4233  | 3438  | 3045  | 2793  | 2612  | 2473  | 2361  | 2268  | 2190  | 2122  | 2009  | 1879  | 1779  | 1723  | 1612 | 1526 | 1457 |      |
| B624      | 40000                     | 4233   | 3438  | 2793  | 2473  | 2268  | 2122  | 2009  | 1918  | 1843  | 1779  | 1723  | 1632  | 1526  | 1445  | 1400  | 1309 | 1239 | 1183 |      |
|           | 100000                    | 3216   | 2612  | 2122  | 1879  | 1723  | 1612  | 1526  | 1457  | 1400  | 1351  | 1309  | 1239  | 1159  | 1097  | 1063  | 994  | 942  | 899  |      |
| B428      | 8000                      | *      | *     | *     | 5561  | 5102  | 4771  | 4517  | 4313  | 4144  | 4000  | 3875  | 3669  | 3432  | 3249  | 3148  | 2944 | 2787 | 2661 |      |
|           | 20000                     | *      | 5874  | 4771  | 4225  | 3875  | 3625  | 3432  | 3277  | 3148  | 3039  | 2944  | 2787  | 2607  | 2468  | 2391  | 2236 | 2117 | 2022 |      |
|           | 40000                     | 5874   | 4771  | 3875  | 3432  | 3148  | 2944  | 2787  | 2661  | 2557  | 2468  | 2391  | 2264  | 2117  | 2005  | 1942  | 1817 | 1720 | 1642 |      |
|           | 100000                    | 4462   | 3625  | 2944  | 2607  | 2391  | 2236  | 2117  | 2022  | 1942  | 1875  | 1817  | 1720  | 1609  | 1523  | 1476  | 1380 | 1307 | 1247 |      |
| B432      | 8000                      | *      | *     | *     | 5832  | 5349  | 5003  | 4737  | 4523  | 4345  | 4194  | 4064  | 3847  | 3598  | 3407  | 3301  | 3087 | 2923 | 2791 |      |
|           | B531                      | 20000  | *     | 6159  | 5003  | 4430  | 4064  | 3801  | 3598  | 3436  | 3301  | 3186  | 3087  | 2923  | 2733  | 2588  | 2507 | 2345 | 2220 | 2120 |
|           | B631                      | 40000  | 6159  | 5003  | 4064  | 3598  | 3301  | 3087  | 2923  | 2791  | 2681  | 2588  | 2507  | 2374  | 2220  | 2102  | 2037 | 1905 | 1803 | 1722 |
|           |                           | 100000 | 4679  | 3801  | 3087  | 2733  | 2507  | 2345  | 2220  | 2120  | 2037  | 1966  | 1905  | 1803  | 1687  | 1597  | 1547 | 1447 | 1370 | 1308 |
| B436      | 8000                      | *      | *     | *     | 7318  | 6713  | 6278  | 5944  | 5675  | 5452  | 5263  | 5099  | 4828  | 4515  | 4275  | 4142  | 3874 | 3668 | 3502 |      |
|           | B536                      | 20000  | *     | 7729  | 6278  | 5559  | 5099  | 4769  | 4515  | 4311  | 4142  | 3998  | 3874  | 3668  | 3430  | 3247  | 3146 | 2943 | 2786 | 2660 |
|           | B635                      | 40000  | 7729  | 6278  | 5099  | 4515  | 4142  | 3874  | 3668  | 3502  | 3364  | 3247  | 3146  | 2979  | 2786  | 2638  | 2556 | 2390 | 2263 | 2161 |
|           |                           | 100000 | 5871  | 4769  | 3874  | 3430  | 3146  | 2943  | 2786  | 2660  | 2556  | 2467  | 2390  | 2263  | 2116  | 2004  | 1941 | 1816 | 1719 | 1641 |
| B440      | 8000                      | *      | *     | *     | 8624  | 7911  | 7398  | 7005  | 6688  | 6425  | 6202  | 6009  | 5689  | 5321  | 5038  | 4881  | 4565 | 4322 |      |      |
|           | B540                      | 20000  | *     | 9108  | 7398  | 6551  | 6009  | 5620  | 5321  | 5081  | 4881  | 4712  | 4565  | 4322  | 4042  | 3827  | 3708 | 3468 | 3283 |      |
|           | B639                      | 40000  | 9108  | 7398  | 6009  | 5321  | 4881  | 4565  | 4322  | 4127  | 3965  | 3827  | 3708  | 3511  | 3283  | 3109  | 3012 | 2817 | 2667 |      |
|           |                           | 100000 | 6919  | 5620  | 4565  | 4042  | 3708  | 3468  | 3283  | 3135  | 3012  | 2907  | 2817  | 2667  | 2494  | 2361  | 2288 | 2140 | 2026 |      |
| B448      | 8000                      | *      | *     | *     | 11506 | 10554 | 9871  | 9346  | 8923  | 8573  | 8275  | 8018  | 7591  | 7099  | 6722  | 6512  | 6091 |      |      |      |
|           | B548                      | 20000  | *     | 12153 | 9871  | 8740  | 8018  | 7499  | 7099  | 6779  | 6512  | 6286  | 6091  | 5766  | 5393  | 5106  | 4947 | 4627 |      |      |
|           | B647                      | 40000  | 12153 | 9871  | 8018  | 7099  | 6512  | 6091  | 5766  | 5506  | 5290  | 5106  | 4947  | 4684  | 4381  | 4147  | 4018 | 3758 |      |      |
|           |                           | 100000 | 9232  | 7499  | 6091  | 5393  | 4947  | 4627  | 4381  | 4183  | 4018  | 3879  | 3758  | 3558  | 3328  | 3151  | 3053 | 2855 |      |      |
| B456      | 8000                      | *      | *     | *     | 14027 | 12868 | 12034 | 11394 | 10879 | 10452 | 10089 | 9775  | 9255  | 8655  | 8195  | 7940  | 7426 |      |      |      |
|           | B556                      | 20000  | *     | 14816 | 12034 | 10656 | 9775  | 9142  | 8655  | 8264  | 7940  | 7664  | 7426  | 7030  | 6575  | 6225  | 6031 | 5641 |      |      |
|           | B655                      | 40000  | 14816 | 12034 | 9775  | 8655  | 7940  | 7426  | 7030  | 6713  | 6449  | 6225  | 6031  | 5710  | 5341  | 5056  | 4899 | 4582 |      |      |
|           |                           | 100000 | 11255 | 9142  | 7426  | 6575  | 6031  | 5641  | 5341  | 5099  | 4899  | 4729  | 4582  | 4338  | 4057  | 3841  | 3722 | 3481 |      |      |
| B464      | 8000                      | *      | *     | *     | 21728 | 19931 | 18641 | 17649 | 16851 | 16189 | 15627 | 15141 | 14335 | 13407 | 12693 | 12298 |      |      |      |      |
|           | B564                      | 20000  | *     | 22949 | 18641 | 16506 | 15141 | 14161 | 13407 | 12801 | 12298 | 11871 | 11502 | 10890 | 10185 | 9643  | 9343 |      |      |      |
|           | B663                      | 40000  | 22949 | 18641 | 15141 | 13407 | 12298 | 11502 | 10890 | 10398 | 9989  | 9643  | 9343  | 8845  | 8272  | 7832  | 7588 |      |      |      |
|           |                           | 100000 | 17434 | 14161 | 11502 | 10185 | 9343  | 8738  | 8272  | 7899  | 7588  | 7325  | 7097  | 6719  | 6284  | 5950  | 5765 |      |      |      |
| B572      | 8000                      | *      | *     | *     | 42870 | 39326 | 36779 | 34822 | 33248 | 31942 | 30833 | 29874 | 28284 | 26453 | 25045 |       |      |      |      |      |
|           | 20000                     | *      | 45281 | 36779 | 32567 | 29874 | 27940 | 26453 | 25257 | 24265 | 23423 | 22694 | 21486 | 20095 | 19025 |       |      |      |      |      |
|           | 40000                     | 45281  | 36779 | 29874 | 26453 | 24265 | 22694 | 21486 | 20515 | 19710 | 19025 | 18433 | 17452 | 16322 | 15453 |       |      |      |      |      |
|           | 100000                    | 34398  | 27940 | 22694 | 20095 | 18433 | 17240 | 16322 | 15584 | 14973 | 14453 | 14003 | 13258 | 12399 | 11739 |       |      |      |      |      |
| B580      | 8000                      | *      | *     | *     | 37422 | 34327 | 32105 | 30396 | 29022 | 27882 | 26914 | 26077 | 24689 | 23090 |       |       |      |      |      |      |
|           | 20000                     | *      | 39525 | 32105 | 28428 | 26077 | 24389 | 23090 | 22047 | 21181 | 20446 | 19810 | 18755 | 17541 |       |       |      |      |      |      |
|           | 40000                     | 39525  | 32105 | 26077 | 23090 | 21181 | 19810 | 18755 | 17908 | 17204 | 16607 | 16090 | 15234 | 14248 |       |       |      |      |      |      |
|           | 100000                    | 30026  | 24389 | 19810 | 17541 | 16090 | 15049 | 14248 | 13604 | 13069 | 12616 | 12223 | 11573 | 10823 |       |       |      |      |      |      |

\* Load exceeds 25% of the C rating, consult Rexnord Bearing Division.

**PB22400, PEB22400**

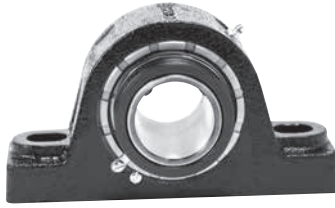
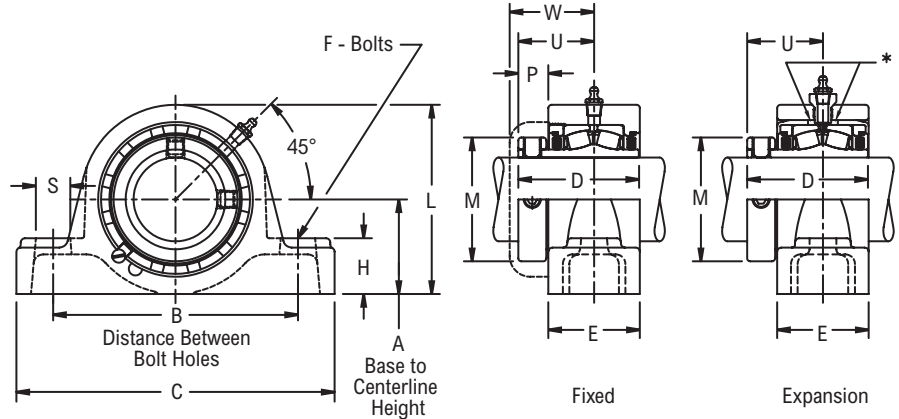


Photo Shows a 2-Bolt Spherical Roller Bearing Pillow Block Unit

**Product Features**

- Corrosion-resistant powder coating
- Cast iron housing
- Misalignment capabilities - total of 4°
- Broad range of sealing options
- Factory set clearance & lubrication
- Hardened spring locking collar
- Field interchangeable seals
- Fixed or Expansion - total of 3/8" expansion
- See Features & Benefits for additional info.



**Bearing Dimensions**

| Size Code | Shaft Diameter | Expansion   |        |        | Fixed       |         |        | A<br>Base to<br>Centerline<br>Height | B<br>Distance<br>Between<br>Bolt Holes | C       | D       | E       | F     | H      | M       | P     | U       | W       | Approx.<br>Weight |       |            |
|-----------|----------------|-------------|--------|--------|-------------|---------|--------|--------------------------------------|--|---------|---------|---------|-------|--------|---------|-------|---------|---------|-------------------|-------|------------|
|           |                | Part Number | L      | S      | Part Number | L       | S      |                                      |  |         |         |         |       |        |         |       |         |         |                   |       |            |
| B416      | 1              | PEB22416H   | 3 5/16 | 5/8    | PB22416H    | 3 1/8   | 5/8    | 1 9/16                               | 4 3/8                                  | 5 15/16 | 2 9/16  | 2 1/16  | 3/8   | 7/8    | 1 3/4   | 17/32 | 1 9/16  | 1 29/32 | 5.00              |       |            |
|           | 25.00          | PEB224M25H  | 84.10  | 15.90  | PB224M25H   | 79.40   | 15.90  | 39.67                                | 111.10                                 | 150.80  | 65.09   | 52.40   | 10.00 | 22.20  | 44.40   | 13.50 | 39.70   | 48.40   | 2.10              |       |            |
| B420      | 1 3/16         | PEB22419H   | 3 5/8  | 5/8    | PEB22419H   | 3 1/2   | 5/8    | 1 3/4                                | 4 3/4                                  | 6 5/16  | 2 11/16 | 2 3/16  | 3/8   | 1 1/16 | 1 31/32 | 17/32 | 1 5/8   | 1 31/32 | 6.00              |       |            |
|           | 1 1/4          | PEB22420H   |        |        | PB22420H    |         |        |                                      |  |         |         |         |       |        |         |       |         |         |                   | 30.00 | PEB224M30H |
| B424      | 1 7/16         | PEB22423H   | 3 7/8  | 7/8    | PEB22423H   | 3 11/16 | 13/16  | 1 7/8                                | 5                                      | 6 9/16  | 2 7/8   | 2 1/4   | 1/2   | 1 3/16 | 2 5/16  | 21/32 | 1 25/32 | 2 3/16  | 7.00              |       |            |
|           | 1 1/2          | PEB22424H   |        |        | PB22424H    |         |        |                                      |  |         |         |         |       |        |         |       |         |         |                   | 35.00 | PEB224M35H |
| B428      | 1 5/8          | PEB22426H   | 4 3/8  | 7/8    | PEB22426H   | 4 1/4   | 13/16  | 2 1/8                                | 5 1/2                                  | 7 1/8   | 3 1/8   | 2 1/2   | 1/2   | 1 5/16 | 2 19/32 | 21/32 | 1 29/32 | 2 1/4   | 10.00             |       |            |
|           | 1 11/16        | PEB22427H   |        |        | PB22427H    |         |        |                                      |  |         |         |         |       |        |         |       |         |         |                   | 40.00 | PEB224M40H |
| B432      | 1 15/16        | PEB22431H   | 4 9/16 | 15/16  | PEB22431H   | 4 9/16  | 15/16  | 2 1/4                                | 6 1/4                                  | 8 1/8   | 3 1/8   | 2 1/2   | 5/8   | 1 3/8  | 2 7/8   | 21/32 | 1 29/32 | 2 9/32  | 12.00             |       |            |
|           | 2              | PEB22432H   |        |        | PB22432H    |         |        |                                      |  |         |         |         |       |        |         |       |         |         |                   | 45.00 | PEB224M45H |
| B436      | 2 3/16         | PEB22435H   | 5      | 15/16  | PEB22435H   | 5       | 15/16  | 2 1/2                                | 6 3/4                                  | 8 5/8   | 3 5/16  | 2 9/16  | 5/8   | 1 5/8  | 3 1/4   | 25/32 | 2 1/16  | 2 7/16  | 14.00             |       |            |
|           | 2 1/4          | PEB22436H   |        |        | PB22436H    |         |        |                                      |  |         |         |         |       |        |         |       |         |         |                   | 55.00 | PEB224M55H |
| B440      | 2 7/16         | PEB22439H   | 5 1/2  | 15/16  | PEB22439H   | 5 1/2   | 15/16  | 2 3/4                                | 7 1/8                                  | 9 1/8   | 3 1/2   | 2 11/16 | 5/8   | 1 5/8  | 3 9/16  | 27/32 | 2 3/16  | 2 9/16  | 17.00             |       |            |
|           | 2 1/2          | PEB22440H   |        |        | PB22440H    |         |        |                                      |  |         |         |         |       |        |         |       |         |         |                   | 60.00 | PEB224M60H |
| B448      | 2 11/16        | PEB22443H   | 6 7/16 | 1 1/16 | PEB22443H   | 6 7/16  | 1 1/16 | 3 1/4                                | 8 1/8                                  | 10 7/16 | 4       | 3 3/16  | 3/4   | 2      | 4 1/16  | 27/32 | 2 7/16  | 2 25/32 | 29.00             |       |            |
|           | 2 3/4          | PEB22444H   |        |        | PB22444H    |         |        |                                      |  |         |         |         |       |        |         |       |         |         |                   | 75.00 | PEB224M75H |
| B456      | 3 3/16         | PEB22451H   | 7 1/2  | 1 5/8  | PEB22451H   | 7 1/2   | 1 5/8  | 3 3/4                                | 10                                     | 13      | 4 3/8   | 3 7/16  | 7/8   | 2 1/4  | 4 29/32 | 15/16 | 2 21/32 | 3       | 43.00             |       |            |
|           | 3 7/16         | PEB22455H   |        |        | PB22455H    |         |        |                                      |  |         |         |         |       |        |         |       |         |         |                   | 80.00 | PEB224M80H |
|           | 3 1/2          | PEB22456H   |        |        | PB22456H    |         |        |                                      |  |         |         |         |       |        |         |       |         |         | 41.00             |       |            |
|           | 80.00          | PEB224M85H  | 190.50 | 41.30  | PB224M85H   | 190.50  | 41.30  | 95.25                                | 254.00                                 | 330.20  | 111.12  | 87.30   | 24.00 | 57.20  | 124.60  | 23.80 | 67.50   | 76.20   | 19.10             |       |            |

Continued...

Continued...

**Bearing Dimensions**

| Size Code | Shaft Diameter     | Expansion         |          |                   | Fixed            |        |       | A<br>Base to<br>Centerline<br>Height | B<br>Distance<br>Between<br>Bolt Holes | C      | D      | E      | F | H     | M     | P      | U      | W      | Approx.<br>Weight |
|-----------|--------------------|-------------------|----------|-------------------|------------------|--------|-------|--------------------------------------|--|--------|--------|--------|---|-------|-------|--------|--------|--------|-------------------|
|           |                    | Part Number       | L        | S                 | Part Number      | L      | S     |                                      |  |        |        |        |   |       |       |        |        |        |                   |
| B464      | 3 11/16            | PEB22459H         | 8 1/2    | 2 1/4             | PB22459H         | 8 1/2  | 2 1/4 | 4 1/4                                | 11 3/4                                 | 15 1/4 | 5 1/16 | 4 3/16 | 1 | 2 5/8 | 5 5/8 | 1 1/16 | 3 1/16 | 3 7/16 | 61.00             |
|           | 3 15/16            | PEB22463H         |          |                   | PB22463H         |        |       |                                      |  |        |        |        |   |       |       |        |        |        | 59.00             |
|           | 4                  | PEB22464H         | PB22464H |                   |                  |        |       |                                      |  |        |        |        |   |       |       |        |        |        |                   |
|           | 90.00              | <i>PEB224M90H</i> | 215.90   | 57.20             | <i>PB224M90H</i> | 215.90 | 57.20 |                                      |  |        |        |        |   |       |       |        |        |        | 107.95            |
| 100.00    | <i>PEB224M100H</i> |                   |          | <i>PB224M100H</i> |                  |        |       |                                      |  |        |        |        |   |       |       |        |        |        | 26.90             |
| B464L     | 3 15/16            | -                 | -        | -                 | PLB22463H        | 8 3/8  | 1 7/8 | 4 1/8                                | 10 7/8                                 | 14 1/4 | 5 1/16 | 4 3/16 | 1 | 2 1/2 | 5 5/8 | 1 1/16 | 3 1/16 | 3 7/16 | 58.00             |
|           | 4                  | -                 | -        | -                 | PLB22464H        |        |       |                                      |  |        |        |        |   |       |       |        |        |        |                   |

**Additional Notes**

Please call 1-866-REXNORD for availability  
 Lubrication fitting tap size, 1/8" PT  
 Base to centerline tolerance, +/- .005" (+/-0.13mm)  
 Expansion - is 3/8" for all size codes  
 H labyrinth seals standard  
 All size codes available with type E lip seals, except E7 in size code B416  
 For the Selection Guide, Load Ratings and Speed Limits, see the Link-Belt Spherical Roller Bearings Engineering section

Note: Dimensions subject to change. Certified dimensions of ordered material furnished on request.



# PB22400F, PEB22400F

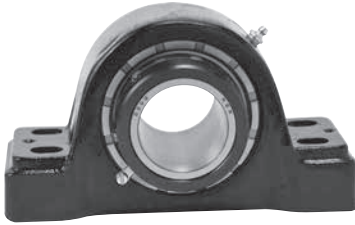
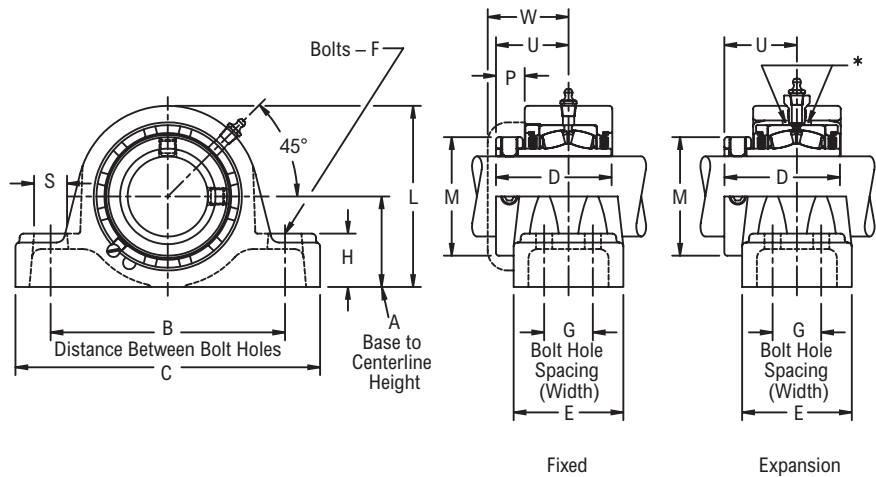


Photo Shows a 4-Bolt Spherical Roller Bearing Pillow Block Unit

## Product Features

- Corrosion-resistant powder coating
- Cast iron housing
- Misalignment capabilities - total of 4°
- Broad range of sealing options
- Factory set clearance & lubrication
- Hardened spring locking collar
- Field interchangeable seals
- Fixed or Expansion - total of 3/8" expansion
- See Features & Benefits for additional info.



## Bearing Dimensions

| Size Code | Shaft Diameter | Expansion      |                | Fixed          |                | A<br>Base to<br>Centerline<br>Height | B<br>Distance<br>Between<br>Bolt Holes | G<br>Bolt Hole<br>Spacing<br>(Width) | C      | D      | E      | F     | H     | L      | M      | P      | S     | U       | W      | Approx.<br>Weight |
|-----------|----------------|----------------|----------------|----------------|----------------|--------------------------------------|--|--------------------------------------|--------|--------|--------|-------|-------|--------|--------|--------|-------|---------|--------|-------------------|
|           |                | Part<br>Number | Part<br>Number | Part<br>Number | Part<br>Number |                                      |  |                                      |        |        |        |       |       |        |        |        |       |         |        |                   |
| B432      | 1 15/16        | PEB22431FH     | PB22431FH      |                |                | 2 1/4                                | 6 1/4                                  | 1 19/32                              | 8 3/8  | 3 1/8  | 3 3/16 | 1/2   | 1 3/8 | 4 9/16 | 2 7/8  | 2 1/32 | 13/16 | 1 29/32 | 2 9/32 | 13.00             |
|           | 2              | PEB22432FH     | PB22432FH      |                |                |                                      |  |                                      |        |        |        |       |       |        |        |        |       |         |        | 6.30              |
|           | 50.00          | PEB224M45FH    | PB224M45FH     |                |                | 57.15                                | 158.80                                 | 40.50                                | 212.70 | 79.38  | 81.00  | 12.00 | 34.90 | 115.90 | 73.00  | 16.70  | 20.60 | 48.40   | 57.90  | 5.90              |
| B436      | 2 3/16         | PEB22435FH     | PB22435FH      |                |                | 2 1/2                                | 6 3/4                                  | 1 11/16                              | 8 7/8  | 3 5/16 | 3 1/4  | 1/2   | 1 5/8 | 5      | 3 1/4  | 25/32  | 13/16 | 2 1/16  | 2 7/16 | 15.00             |
|           | 2 1/4          | PEB22436FH     | PB22436FH      |                |                |                                      |  |                                      |        |        |        |       |       |        |        |        |       |         |        |                   |
|           | 55.00          | PEB224M55FH    | PB224M55FH     |                |                | 63.50                                | 171.40                                 | 42.90                                | 225.40 | 84.14  | 82.60  | 12.00 | 41.30 | 127.00 | 82.60  | 19.80  | 20.60 | 52.40   | 61.90  | 6.90              |
| B440      | 2 7/16         | PEB22439FH     | PB22439FH      |                |                | 2 3/4                                | 7 1/8                                  | 1 3/4                                | 9 1/4  | 3 1/2  | 3 3/8  | 1/2   | 1 3/4 | 5 1/2  | 3 9/16 | 27/32  | 13/16 | 2 3/16  | 2 9/16 | 19.00             |
|           | 2 1/2          | PEB22440FH     | PB22440FH      |                |                |                                      |  |                                      |        |        |        |       |       |        |        |        |       |         |        |                   |
|           | 60.00          | PEB224M60FH    | PB224M60FH     |                |                | 69.85                                | 181.00                                 | 44.40                                | 235.00 | 88.90  | 85.70  | 12.00 | 44.40 | 139.70 | 90.50  | 21.40  | 20.60 | 55.60   | 65.10  | 8.60              |
| B448      | 2 11/16        | PEB22443FH     | PB22443FH      |                |                |                                      |  |                                      |        |        |        |       |       |        |        |        |       |         |        | 30.00             |
|           | 2 3/4          | PEB22444FH     | PB22444FH      |                |                |                                      |  |                                      |        |        |        |       |       |        |        |        |       |         |        | 29.00             |
|           | 2 15/16        | PEB22447FH     | PB22447FH      |                |                |                                      |  |                                      |        |        |        |       |       |        |        |        |       |         |        | 28.00             |
|           | 3              | PEB22448FH     | PB22448FH      |                |                |                                      |  |                                      |        |        |        |       |       |        |        |        |       |         |        | 13.70             |
|           | 65.00          | PEB224M65FH    | PB224M65FH     |                |                |                                      |  |                                      |        |        |        |       |       |        |        |        |       |         |        | 13.50             |
|           | 70.00          | PEB224M70FH    | PB224M70FH     |                |                | 82.55                                | 206.40                                 | 47.60                                | 265.10 | 101.60 | 95.20  | 16.00 | 57.20 | 163.50 | 103.20 | 21.40  | 23.80 | 61.90   | 70.60  | 13.00             |
| B456      | 3 3/16         | PEB22451FH     | PB22451FH      |                |                |                                      |  |                                      |        |        |        |       |       |        |        |        |       |         |        | 45.00             |
|           | 3 7/16         | PEB22455FH     | PB22455FH      |                |                |                                      |  |                                      |        |        |        |       |       |        |        |        |       |         |        | 43.00             |
|           | 3 1/2          | PEB22456FH     | PB22456FH      |                |                |                                      |  |                                      |        |        |        |       |       |        |        |        |       |         |        |                   |
|           | 80.00          | PEB224M80FH    | PB224M80FH     |                |                | 95.25                                | 254.00                                 | 50.80                                | 330.20 | 111.12 | 104.80 | 20.00 | 57.20 | 190.50 | 124.60 | 23.80  | 38.10 | 67.50   | 76.20  | 20.50             |
| B464      | 85.00          | PEB224M85FH    | PB224M85FH     |                |                |                                      |  |                                      |        |        |        |       |       |        |        |        |       |         |        | 20.00             |
|           | 3 11/16        | PEB22459FH     | PB22459FH      |                |                |                                      |  |                                      |        |        |        |       |       |        |        |        |       |         |        | 69.00             |
|           | 3 15/16        | PEB22463FH     | PB22463FH      |                |                |                                      |  |                                      |        |        |        |       |       |        |        |        |       |         |        | 67.00             |
|           | 4              | PEB22464FH     | PB22464FH      |                |                |                                      |  |                                      |        |        |        |       |       |        |        |        |       |         |        | 66.00             |
|           | 90.00          | PEB224M90FH    | PB224M90FH     |                |                | 107.95                               | 317.50                                 | 57.20                                | 387.40 | 128.59 | 114.30 | 20.00 | 66.70 | 215.90 | 142.90 | 27.00  | 31.80 | 77.80   | 87.30  | 32.10             |
| 100.00    | PEB224M100FH   | PB224M100FH    |                |                |                |                                      |  |                                      |        |        |        |       |       |        |        |        |       |         |        | 30.30             |

## Additional Notes

- Please call 1-866-REXNORD for availability
- Lubrication fitting tap size, 1/8" PT
- Base to centerline tolerance, +/- .005" (+/- 0.13mm)
- Expansion - is 3/8" for all size codes
- H labyrinth seals standard
- All size codes available with type E lip seals & E7 triple lip seals
- For the Selection Guide, Load Ratings and Speed Limits, see the Link-Belt Spherical Roller Bearings Engineering section

Note: Dimensions subject to change. Certified dimensions of ordered material furnished on request.

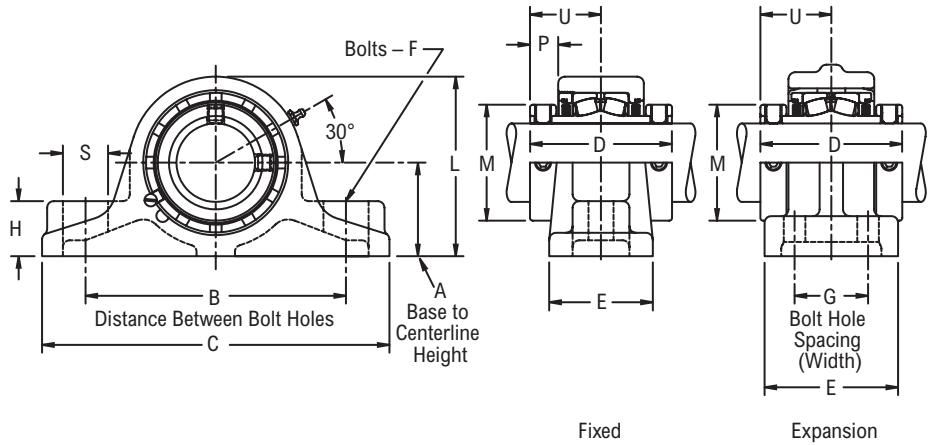
# PB22500, PEB22500, PB22500F, PEB22500F



Photo Shows a 4-Bolt Spherical Roller Bearing Pillow Block Unit

## Product Features

- Corrosion-resistant powder coating
- Cast iron housing
- Misalignment capabilities - total of 4°
- Broad range of sealing options
- Factory set clearance & lubrication
- Two hardened spring locking collars
- Field interchangeable seals
- Fixed or Expansion - total of 3/8" expansion
- See Features & Benefits for additional info.



## Bearing Dimensions

| Size Code                     | Shaft Diameter | Expansion     |         | Fixed        |         | A<br>Base to<br>Centerline<br>Height | B<br>Distance<br>Between<br>Bolt Holes | G<br>Bolt Hole<br>Spacing<br>(Width) | C       | D       | E       | F     | H       | M       | P      | S       | U       | Approx.<br>Weight |
|-------------------------------|----------------|---------------|---------|--------------|---------|--------------------------------------|--|--------------------------------------|---------|---------|---------|-------|---------|---------|--------|---------|---------|-------------------|
|                               |                | Part Number   | L       | Part Number  | L       |                                      |  |                                      |         |         |         |       |         |         |        |         |         |                   |
| <b>Two-Bolt Pillow Block</b>  |                |               |         |              |         |                                      |  |                                      |         |         |         |       |         |         |        |         |         |                   |
| B524                          | 1 7/16         | PEB22523H     | 4 11/32 | PB22523H     | 3 31/32 | 2 1/8                                | 5 7/8                                  | -                                    | 8 1/8   | 3 9/16  | 2 7/16  | 1/2   | 1 1/8   | 2 5/16  | 11/16  | 1 1/8   | 1 25/32 | 10.00             |
| B528                          | 1 11/16        | PEB22527H     | 4 13/16 | PB22527H     | 4 7/16  | 2 5/16                               | 6 1/2                                  | -                                    | 9       | 3 13/16 | 2 13/16 | 1/2   | 1 5/16  | 2 19/32 | 23/32  | 1 1/4   | 1 29/32 | 12.00             |
| B531                          | 1 15/16        | PEB22531H     | 4 15/16 | PB22531H     | 4 3/4   | 2 1/2                                | 7                                      | -                                    | 9 3/4   | 3 13/16 | 2 7/8   | 5/8   | 1 7/16  | 2 7/8   | 23/32  | 1 1/4   | 1 29/32 | 14.00             |
| B536                          | 2              | PEB22532H     | 5 23/32 | PB22532H     | 5 1/4   | 2 3/4                                | 7 1/2                                  | -                                    | 10 1/4  | 4 1/8   | 3 1/8   | 5/8   | 1 5/8   | 3 1/4   | 25/32  | 1 1/4   | 2 1/16  | 21.00             |
|                               | 2 3/16         | PEB22535H     |         | PB22535H     |         |                                      |  |                                      |         |         |         |       |         |         |        |         |         | 20.00             |
| B540                          | 2 7/16         | PEB22539H     | 6 3/16  | PB22539H     | 5 3/4   | 3                                    | 8 1/4                                  | -                                    | 11 1/4  | 4 3/8   | 3 3/8   | 3/4   | 1 3/4   | 3 9/16  | 13/16  | 1 3/8   | 2 3/16  | 24.00             |
| B548                          | 2 11/16        | PEB22543H     | 7 3/16  | PB22543H     | 6 23/32 | 3 1/2                                | 9 3/4                                  | -                                    | 13      | 4 7/8   | 3 7/8   | 7/8   | 2 1/16  | 4 1/16  | 29/32  | 1 5/8   | 2 7/16  | 39.00             |
|                               | 2 15/16        | PEB22547H     |         | PB22547H     |         |                                      |  |                                      |         |         |         |       |         |         |        |         |         | 37.00             |
| <b>Four-Bolt Pillow Block</b> |                |               |         |              |         |                                      |  |                                      |         |         |         |       |         |         |        |         |         |                   |
| B531                          | 1 15/16        | PEB22531FH    | 4 7/8   | PB22531FH    | 4 7/8   | 2 1/2                                | 7                                      | 2 1/4                                | 9       | 3 13/16 | 3 13/16 | 1/2   | 1 11/16 | 2 7/8   | 23/32  | 7/8     | 1 29/32 | 16.00             |
| B536                          | 2              | PEB22532FH    | 5 15/32 | PB22532FH    | 5 15/32 | 2 3/4                                | 7 1/2                                  | 2 1/4                                | 9 15/16 | 4 1/8   | 4       | 1/2   | 2       | 3 1/4   | 25/32  | 1 1/8   | 2 1/16  | 22.00             |
|                               | 2 3/16         | PEB22535FH    |         | PB22535FH    |         |                                      |  |                                      |         |         |         |       |         |         |        |         |         | 26.00             |
| B540                          | 2 7/16         | PEB22539FH    | 5 7/8   | PB22539FH    | 5 7/8   | 3                                    | 8 5/8                                  | 2 5/8                                | 10 5/8  | 4 3/8   | 4 3/8   | 1/2   | 2 1/8   | 3 9/16  | 13/16  | 1 1/8   | 2 3/16  | 26.00             |
| B548                          | 2 11/16        | PEB22543FH    | 6 15/16 | PB22543FH    | 6 15/16 | 3 1/2                                | 9 3/4                                  | 2 3/4                                | 12 5/8  | 4 7/8   | 4 3/4   | 5/8   | 2 5/16  | 4 1/16  | 29/32  | 1 1/2   | 2 7/16  | 38.00             |
|                               | 2 15/16        | PEB22547FH    |         | PB22547FH    |         |                                      |  |                                      |         |         |         |       |         |         |        |         |         | 36.00             |
| B556                          | 3 7/16         | PEB22555FH    | 8       | PB22555FH    | 8       | 4                                    | 11 1/2                                 | 3                                    | 14 1/4  | 5 5/16  | 5       | 3/4   | 2 1/2   | 4 29/32 | 15/16  | 1 1/2   | 2 21/32 | 56.00             |
| B564                          | 3 15/16        | PEB22563FH    | 8 13/16 | PB22563FH    | 8 13/16 | 4 7/16                               | 12 1/4                                 | 3 3/8                                | 15 5/8  | 6 1/8   | 5 5/8   | 7/8   | 2 7/8   | 5 5/8   | 1 1/16 | 1 13/16 | 3 1/16  | 76.00             |
|                               | 4              | PEB22564FH    |         | PB22564FH    |         |                                      |  |                                      |         |         |         |       |         |         |        |         |         | 92.00             |
| B572                          | 4 3/16         | PEB22567YFH   | 9 3/8   | PB22567YFH   | 9 3/8   | 4 3/4                                | 13 1/2                                 | 2 1/2                                | 16 1/2  | 6 1/4   | 4 5/8   | 3/4   | 2 3/4   | 6 3/16  | 1      | 1 3/8   | 3 1/8   | 88.00             |
|                               | 4 7/16         | PEB22571YFH   |         | PB22571YFH   |         |                                      |  |                                      |         |         |         |       |         |         |        |         |         | 87.00             |
|                               | 4 1/2          | PEB22572YFH   |         | PB22572YFH   |         |                                      |  |                                      |         |         |         |       |         |         |        |         |         | 40.70             |
|                               | 110.00         | PEB225M110YFH |         | PB225M110YFH |         |                                      |  |                                      |         |         |         |       |         |         |        |         |         | 39.50             |
| 115.00                        | PEB225M115YFH  | PB225M115YFH  | 120.65  | 342.90       | 63.50   | 419.10                               | 158.75                                 | 117.48                               | 20.00   | 69.80   | 157.16  | 25.40 | 34.90   | 79.37   | 129.00 |         |         |                   |
| B580                          | 4 15/16        | PEB22579YFH   | 11 1/8  | PB22579YFH   | 11 1/8  | 5 1/2                                | 15 1/2                                 | 2 3/4                                | 18 1/2  | 7 7/8   | 5 9/16  | 7/8   | 3       | 7 1/16  | 1 5/32 | 1 1/2   | 3 15/16 | 128.00            |
|                               | 5              | PEB22580YFH   |         | PB22580YFH   |         |                                      |  |                                      |         |         |         |       |         |         |        |         |         | 125.00            |

## Additional Notes

- Please call 1-866-REXNORD for availability
- Lubrication fitting tap size, 1/8" PT
- Base to centerline tolerance, +/- .005" (+/- 0.13mm)
- Expansion - is 3/8" for all size codes
- H labyrinth seals standard
- All size codes available with type E lip seals & E7 triple lip seals
- For the Selection Guide, Load Ratings and Speed Limits, see the Link-Belt Spherical Roller Bearings Engineering section

Note: Dimensions subject to change. Certified dimensions of ordered material furnished on request.

# PB22600, PEB22600

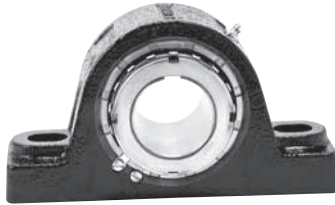
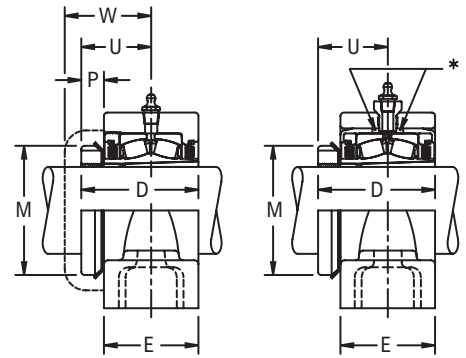
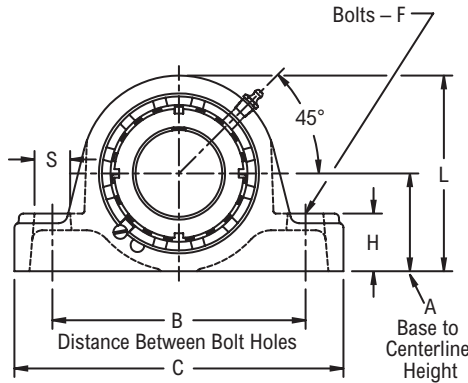


Photo Shows a 2-Bolt Spherical Roller Bearing Pillow Block Unit

## Product Features

- Corrosion-resistant powder coating
- Cast iron housing
- Misalignment capabilities - total of 4°
- Broad range of sealing options
- Factory set clearance & lubrication
- Enhanced life mounting style
- Field interchangeable seals
- Fixed or Expansion - total of 3/8" expansion
- See Features & Benefits for additional info.



Fixed

Expansion

## Bearing Dimensions

| Size Code | Shaft Diameter | Expansion   |        |        | Fixed       |         |        | A<br>Base to Centerline Height | B<br>Distance Between Bolt Holes | C       | D    | E       | F   | H      | M       | P     | U       | W       | Approx. Weight |
|-----------|----------------|-------------|--------|--------|-------------|---------|--------|--------------------------------|----------------------------------|---------|------|---------|-----|--------|---------|-------|---------|---------|----------------|
|           |                | Part Number | L      | S      | Part Number | L       | S      |                                |                                  |         |      |         |     |        |         |       |         |         |                |
| B624      | 1 7/16         | PEB22623H   | 3 7/8  | 7/8    | PB22623H    | 3 11/16 | 13/16  | 1 7/8                          | 5                                | 6 9/16  | 2.71 | 2 1/4   | 1/2 | 1 3/16 | 2 1/4   | 1/2   | 1 39/64 | 2 3/16  | 7.00           |
| B631      | 1 15/16        | PEB22631H   | 4 9/16 | 15/16  | PB22631H    | 4 9/16  | 15/16  | 2 1/4                          | 6 1/4                            | 8 1/8   | 3.08 | 2 1/2   | 5/8 | 1 3/8  | 2 31/32 | 39/64 | 1 55/64 | 2 9/32  | 12.00          |
| B635      | 2 3/16         | PEB22635H   | 5      | 15/16  | PB22635H    | 5       | 15/16  | 2 1/2                          | 6 3/4                            | 8 5/8   | 3.16 | 2 9/16  | 5/8 | 1 5/8  | 3 5/32  | 5/8   | 1 29/32 | 2 7/16  | 14.00          |
| B639      | 2 7/16         | PEB22639H   | 5 1/2  | 15/16  | PB22639H    | 5 1/2   | 15/16  | 2 3/4                          | 7 1/8                            | 9 1/8   | 3.28 | 2 11/16 | 5/8 | 1 5/8  | 3 5/8   | 45/64 | 1 31/32 | 2 9/16  | 17.00          |
| B647      | 2 11/16        | PEB22643H   | 6 7/16 | 1 1/16 | PB22643H    | 6 7/16  | 1 1/16 | 3 1/4                          | 8 1/8                            | 10 7/16 | 3.86 | 3 3/16  | 3/4 | 2      | 4 5/32  | 3/4   | 2 19/64 | 2 25/32 | 29.00          |
|           | 2 15/16        | PEB22647H   |        |        | PB22647H    |         |        |                                |                                  |         |      |         |     |        |         |       |         |         | 27.00          |
| B655      | 3 7/16         | PEB22655H   | 7 1/2  | 1 5/8  | PB22655H    | 7 1/2   | 1 5/8  | 3 3/4                          | 10                               | 13      | 4.29 | 3 7/16  | 7/8 | 2 1/4  | 4 15/16 | 7/8   | 2 37/64 | 3       | 42.00          |
| B663      | 3 15/16        | PEB22663H   | 8 1/2  | 2 1/4  | PB22663H    | 8 1/2   | 2 1/4  | 4 1/4                          | 11 3/4                           | 15 1/4  | 4.94 | 4 3/16  | 1   | 2 5/8  | 5 7/16  | 15/16 | 2 15/16 | 3 7/16  | 59.00          |

## Additional Notes

- Please call 1-866-REXNORD for availability
- Lubrication fitting tap size, 1/8" PT
- Base to centerline tolerance, +/- .005" (+/- 0.13mm)
- Expansion - is 3/8" for all size codes
- Dimensions for "D", "P" & "U" based on unmounted condition
- H labyrinth seals standard
- All size codes available with type E lip seals & E7 triple lip seals

For the Selection Guide, Load Ratings and Speed Limits, see the Link-Belt Spherical Roller Bearings Engineering section  
 Note: Dimensions subject to change. Certified dimensions of ordered material furnished on request.

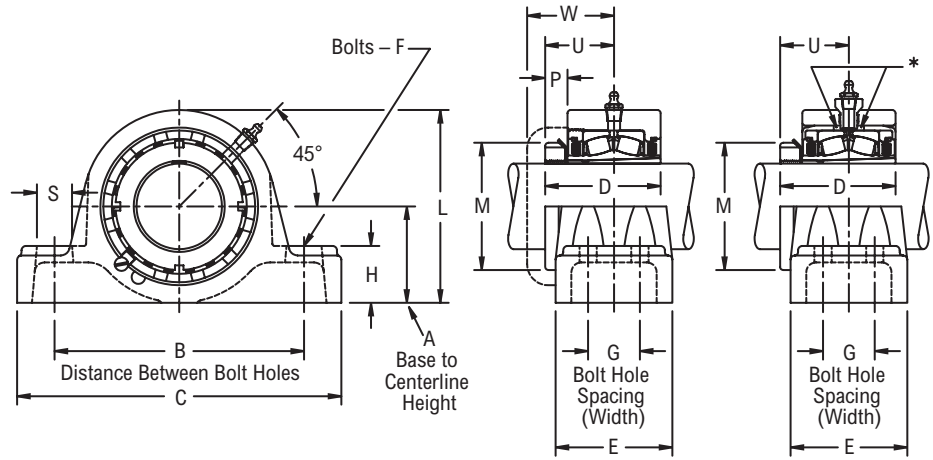
## PB22600F, PEB22600F



Photo Shows a 4-Bolt Spherical Roller Bearing Pillow Block Unit

### Product Features

- Corrosion-resistant powder coating
- Cast iron housing
- Misalignment capabilities - total of 4°
- Broad range of sealing options
- Factory set clearance & lubrication
- Enhanced life mounting style
- Field interchangeable seals
- Fixed or Expansion - total of 3/8" expansion
- See Features & Benefits for additional info.



Fixed

Expansion

### Bearing Dimensions

| Size Code | Shaft Diameter | Expansion   |        | Fixed       |        | A<br>Base to<br>Centerline<br>Height | B<br>Distance<br>Between Bolt<br>Holes | G<br>Bolt Hole<br>Spacing<br>(Width) | C       | D    | E      | F   | H     | M       | P     | S     | U       | W       | Approx.<br>Weight |
|-----------|----------------|-------------|--------|-------------|--------|--------------------------------------|--|--------------------------------------|---------|------|--------|-----|-------|---------|-------|-------|---------|---------|-------------------|
|           |                | Part Number | L      | Part Number | L      |                                      |  |                                      |         |      |        |     |       |         |       |       |         |         |                   |
| B631      | 1 15/16        | PEB22631FH  | 4 9/16 | PB22631FH   | 4 9/16 | 2 1/4                                | 6 1/4                                  | 1 19/32                              | 8 3/8   | 3.08 | 3 3/16 | 1/2 | 1 3/8 | 2 31/32 | 38/64 | 13/16 | 1 55/64 | 2 9/32  | 13.00             |
| B635      | 2 3/16         | PEB22635FH  | 5      | PB22635FH   | 5      | 2 1/2                                | 6 3/4                                  | 1 11/16                              | 8 7/8   | 3.16 | 3 1/4  | 1/2 | 1 5/8 | 3 5/32  | 5/8   | 13/16 | 1 29/32 | 2 7/16  | 15.00             |
| B639      | 2 7/16         | PEB22639FH  | 5 1/2  | PB22639FH   | 5 1/2  | 2 3/4                                | 7 1/8                                  | 1 3/4                                | 9 1/4   | 3.28 | 3 3/8  | 1/2 | 1 3/4 | 3 5/8   | 5/8   | 13/16 | 1 31/32 | 2 9/16  | 19.00             |
| B647      | 2 11/16        | PEB22643FH  | 6 7/16 | PB22643FH   | 6 7/16 | 3 1/4                                | 8 1/8                                  | 1 7/8                                | 10 7/16 | 3.86 | 3 3/4  | 5/8 | 2 1/4 | 4 5/32  | 45/64 | 15/16 | 2 19/64 | 2 25/32 | 30.00             |
|           | 2 15/16        | PEB22647FH  |        | PB22647FH   |        |                                      |  |                                      |         |      |        |     |       |         |       |       |         |         |                   |
| B655      | 3 7/16         | PEB22655FH  | 7 1/2  | PB22655FH   | 7 1/2  | 3 3/4                                | 10                                     | 2                                    | 13      | 4.29 | 4 1/8  | 3/4 | 2 1/4 | 4 15/16 | 56/64 | 1 1/2 | 2 37/64 | 3       | 43.00             |
| B663      | 3 15/16        | PEB22663FH  | 8 1/2  | PB22663FH   | 8 1/2  | 4 1/4                                | 12 1/2                                 | 2 1/4                                | 15 1/4  | 4.94 | 4 1/2  | 3/4 | 2 5/8 | 5 7/16  | 15/16 | 1 1/4 | 2 15/16 | 3 7/16  | 67.00             |

### Additional Notes

- Please call 1-866-REXNORD for availability
- Lubrication fitting tap size, 1/8" PT
- Base to centerline tolerance, +/- .005" (+/- 0.13mm)
- Expansion - is 3/8" for all size codes
- Dimensions for "D", "P" & "U" based on unmounted condition
- H labyrinth seals standard
- All size codes available with type E lip seals & E7 triple lip seals

For the Selection Guide, Load Ratings and Speed Limits, see the Link-Belt Spherical Roller Bearings Engineering section

Note: Dimensions subject to change. Certified dimensions of ordered material furnished on request.

# PKB22400, PKEB22400

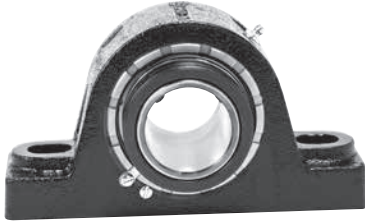
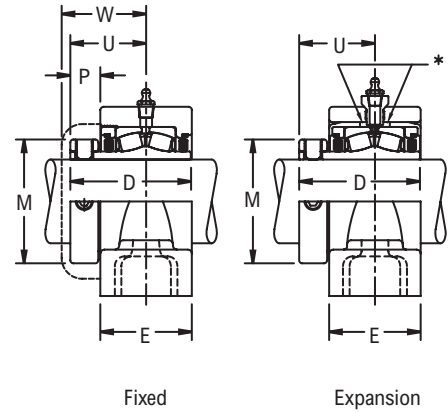
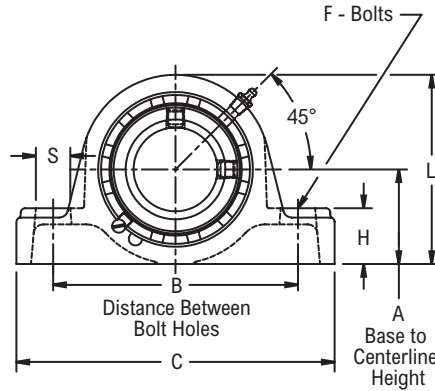


Photo Shows a 2-Bolt Spherical Roller Bearing Pillow Block Unit

## Product Features

- Corrosion-resistant powder coating
- Cast steel housing
- Misalignment capabilities - total of 4°
- Broad range of sealing options
- Factory set clearance & lubrication
- Hardened spring locking collar
- Field interchangeable seals
- Fixed or Expansion - total of 3/8" expansion
- See Features & Benefits for additional info.



## Bearing Dimensions

| Size Code | Shaft Diameter | Expansion   |            | Fixed       |         | A<br>Base to<br>Centerline<br>Height | B<br>Distance<br>Between<br>Bolt Holes | C       | D       | E       | F     | H      | M       | P      | S      | U       | W       | Approx. Weight |            |        |        |        |        |        |       |       |       |        |       |       |       |       |       |
|-----------|----------------|-------------|------------|-------------|---------|--------------------------------------|--|---------|---------|---------|-------|--------|---------|--------|--------|---------|---------|----------------|------------|--------|--------|--------|--------|--------|-------|-------|-------|--------|-------|-------|-------|-------|-------|
|           |                | Part Number | L          | Part Number | L       |                                      |  |         |         |         |       |        |         |        |        |         |         |                |            |        |        |        |        |        |       |       |       |        |       |       |       |       |       |
| B420      | 1 3/16         | -           | -          | PKB22419H   | 3 1/2   | 1 3/4                                | 4 3/4                                  | 6 5/16  | 2 11/16 | 2 3/16  | 3/8   | 1 1/16 | 1 31/32 | 17/32  | 5/8    | 1 5/8   | 1 31/32 | 7.00           |            |        |        |        |        |        |       |       |       |        |       |       |       |       |       |
|           | 1 1/4          | -           | -          | PKB22420H   |         |                                      |  |         |         |         |       |        |         |        |        |         |         |                |            |        |        |        |        |        |       |       |       |        |       |       |       |       |       |
|           | 30.00          | -           | -          | PKB224M30H  |         |                                      |  |         |         |         |       |        |         |        |        |         |         |                | 88.90      | 44.45  | 120.60 | 160.30 | 68.26  | 55.60  | 10.00 | 27.00 | 50.00 | 13.50  | 15.90 | 41.30 | 50.00 | 3.20  |       |
| B424      | 1 7/16         | PKEB22423H  | 3 7/8      | PKB22423H   | 3 11/16 | 1 7/8                                | 5                                      | 6 7/8   | 2 7/8   | 2 1/4   | 1/2   | 1 3/16 | 2 5/16  | 21/32  | 13/16  | 1 25/32 | 2 3/16  | 7.00           |            |        |        |        |        |        |       |       |       |        |       |       |       |       |       |
|           | 1 1/2          | PKEB22424H  |            | PKB22424H   |         |                                      |  |         |         |         |       |        |         |        |        |         |         |                |            |        |        |        |        |        |       |       |       |        |       |       |       |       |       |
|           | 35.00          | PKEB224M35H |            | 98.40       |         |                                      |  |         |         |         |       |        |         |        |        |         |         |                | PKB224M35H | 93.70  | 47.62  | 127.00 | 174.60 | 73.02  | 57.20 | 12.00 | 30.20 | 58.70  | 16.70 | 20.60 | 45.20 | 55.60 | 3.40  |
| B428      | 1 5/8          | PKEB22426H  | 4 3/8      | PKB22426H   | 4 1/4   | 2 1/8                                | 5 1/2                                  | 7 3/8   | 3 1/8   | 2 1/2   | 1/2   | 1 5/16 | 2 19/32 | 21/32  | 13/16  | 1 29/32 | 2 1/4   | 10.00          |            |        |        |        |        |        |       |       |       |        |       |       |       |       |       |
|           | 1 11/16        | PKEB22427H  |            | PKB22427H   |         |                                      |  |         |         |         |       |        |         |        |        |         |         |                |            |        |        |        |        |        |       |       |       |        |       |       |       |       |       |
|           | 1 3/4          | PKEB22428H  |            | PKB22428H   |         |                                      |  |         |         |         |       |        |         |        |        |         |         |                |            |        |        |        |        |        |       |       |       |        |       |       |       |       |       |
| 40.00     | PKEB224M40H    | 111.10      | PKB224M40H | 108.00      | 53.98   | 139.70                               | 187.30                                 | 79.38   | 63.50   | 12.00   | 33.30 | 65.90  | 16.70   | 20.60  | 48.40  | 57.20   | 4.80    |                |            |        |        |        |        |        |       |       |       |        |       |       |       |       |       |
| B432      | 1 15/16        | PKEB22431H  | 4 9/16     | PKB22431H   | 4 9/16  | 2 1/4                                | 6 1/4                                  | 8 3/8   | 3 1/8   | 2 1/2   | 5/8   | 1 3/8  | 2 7/8   | 21/32  | 15/16  | 1 29/32 | 2 9/32  | 12.00          |            |        |        |        |        |        |       |       |       |        |       |       |       |       |       |
|           | 2              | PKEB22432H  |            | PKB22432H   |         |                                      |  |         |         |         |       |        |         |        |        |         |         |                |            |        |        |        |        |        |       |       |       |        |       |       |       |       |       |
|           | 45.00          | PKEB224M45H |            | 115.90      |         |                                      |  |         |         |         |       |        |         |        |        |         |         |                | PKB224M45H | 115.90 | 57.15  | 158.80 | 212.70 | 79.38  | 63.50 | 16.00 | 34.90 | 73.00  | 16.70 | 23.80 | 48.40 | 57.90 | 5.80  |
| 50.00     | PKEB224M50H    |             | PKB224M50H |             |         |                                      |  |         |         |         |       |        |         |        |        |         |         | 5.50           |            |        |        |        |        |        |       |       |       |        |       |       |       |       |       |
| B436      | 2 3/16         | PKEB22435H  | 5          | PKB22435H   | 5       | 2 1/2                                | 6 3/4                                  | 8 7/8   | 3 5/16  | 2 9/16  | 5/8   | 1 5/8  | 3 1/4   | 25/32  | 15/16  | 2 1/16  | 2 7/16  | 16.00          |            |        |        |        |        |        |       |       |       |        |       |       |       |       |       |
|           | 2 1/4          | PKEB22436H  |            | PKB22436H   |         |                                      |  |         |         |         |       |        |         |        |        |         |         |                |            |        |        |        |        |        |       |       |       |        |       |       |       |       |       |
|           | 55.00          | PKEB224M55H |            | 127.00      |         |                                      |  |         |         |         |       |        |         |        |        |         |         |                | PKB224M55H | 127.00 | 63.50  | 171.40 | 225.40 | 84.14  | 65.10 | 16.00 | 41.30 | 82.60  | 19.80 | 23.80 | 52.40 | 61.90 | 7.10  |
| B440      | 2 7/16         | PKEB22439H  | 5 1/2      | PKB22439H   | 5 1/2   | 2 3/4                                | 7 1/8                                  | 9 1/4   | 3 1/2   | 2 11/16 | 5/8   | 1 3/4  | 3 9/16  | 27/32  | 15/16  | 2 3/16  | 2 9/16  | 19.00          |            |        |        |        |        |        |       |       |       |        |       |       |       |       |       |
|           | 2 1/2          | PKEB22440H  |            | PKB22440H   |         |                                      |  |         |         |         |       |        |         |        |        |         |         |                |            |        |        |        |        |        |       |       |       |        |       |       |       |       |       |
|           | 60.00          | PKEB224M60H |            | 139.70      |         |                                      |  |         |         |         |       |        |         |        |        |         |         |                | PKB224M60H | 139.70 | 69.85  | 181.00 | 235.00 | 88.90  | 68.30 | 16.00 | 44.40 | 90.50  | 21.40 | 23.80 | 55.60 | 65.10 | 8.60  |
| B448      | 2 11/16        | PKEB22443H  | 6 7/16     | PKB22443H   | 6 7/16  | 3 1/4                                | 8 1/8                                  | 10 7/16 | 4       | 3 3/16  | 3/4   | 2 1/4  | 4 1/16  | 27/32  | 1 1/16 | 2 7/16  | 2 25/32 | 30.00          |            |        |        |        |        |        |       |       |       |        |       |       |       |       |       |
|           | 2 3/4          | PKEB22444H  |            | PKB22444H   |         |                                      |  |         |         |         |       |        |         |        |        |         |         |                |            |        |        |        |        |        |       |       |       |        |       |       |       |       |       |
|           | 2 15/16        | PKEB22447H  |            | PKB22447H   |         |                                      |  |         |         |         |       |        |         |        |        |         |         |                |            |        |        |        |        |        |       |       |       |        |       |       |       |       |       |
|           | 3              | PKEB22448H  |            | PKB22448H   |         |                                      |  |         |         |         |       |        |         |        |        |         |         |                |            |        |        |        |        |        |       |       |       |        |       |       |       |       |       |
|           | 65.00          | PKEB224M65H |            |             |         |                                      |  |         |         |         |       |        |         |        |        |         |         |                | PKB224M65H |        |        |        |        |        |       |       |       |        |       |       |       |       |       |
| 70.00     | PKEB224M70H    | 163.50      | PKB224M70H | 163.50      | 82.55   | 206.40                               | 265.10                                 | 101.60  | 81.00   | 20.00   | 57.20 | 103.20 | 21.40   | 27.00  | 61.90  | 70.60   | 13.50   |                |            |        |        |        |        |        |       |       |       |        |       |       |       |       |       |
| 75.00     | PKEB224M75H    |             | PKB224M75H |             |         |                                      |  |         |         |         |       |        |         |        |        |         | 13.00   |                |            |        |        |        |        |        |       |       |       |        |       |       |       |       |       |
| B456      | 3 3/16         | PKEB22451H  | 7 1/2      | PKB22451H   | 7 1/2   | 3 3/4                                | 10                                     | 13      | 4 3/8   | 3 7/16  | 7/8   | 2 1/4  | 4 29/32 | 15/16  | 1 5/8  | 2 21/32 | 3       | 45.00          |            |        |        |        |        |        |       |       |       |        |       |       |       |       |       |
|           | 3 7/16         | PKEB22455H  |            | PKB22455H   |         |                                      |  |         |         |         |       |        |         |        |        |         |         |                |            |        |        |        |        |        |       |       |       |        |       |       |       |       |       |
|           | 3 1/2          | PKEB22456H  |            | PKB22456H   |         |                                      |  |         |         |         |       |        |         |        |        |         |         |                |            |        |        |        |        |        |       |       |       |        |       |       |       |       |       |
|           | 80.00          | PKEB224M80H |            | 190.50      |         |                                      |  |         |         |         |       |        |         |        |        |         |         |                | PKB224M80H | 190.50 | 95.25  | 254.00 | 330.20 | 111.12 | 87.30 | 24.00 | 57.20 | 124.60 | 23.80 | 41.30 | 67.50 | 76.20 | 20.20 |
|           | 85.00          | PKEB224M85H |            |             |         |                                      |  |         |         |         |       |        |         |        |        |         |         |                | PKB224M85H |        |        |        |        |        |       |       |       |        |       |       |       |       | 19.70 |
| B464      | 3 11/16        | PKEB22459H  | 8 1/2      | PKB22459H   | 8 1/2   | 4 1/4                                | 11 3/4                                 | 15 1/4  | 5 1/16  | 4 9/16  | 1     | 2 5/8  | 5 5/8   | 1 1/16 | 2 1/4  | 3 1/16  | 3 7/16  | 64.00          |            |        |        |        |        |        |       |       |       |        |       |       |       |       |       |
|           | 3 15/16        | PKEB22463H  |            | PKB22463H   |         |                                      |  |         |         |         |       |        |         |        |        |         |         |                |            |        |        |        |        |        |       |       |       |        |       |       |       |       |       |

Continued...

Continued...

**Bearing Dimensions**

| Size Code | Shaft Diameter | Expansion           |        | Fixed              |        | A<br>Base to<br>Centerline<br>Height | B<br>Distance<br>Between<br>Bolt Holes | C      | D      | E      | F     | H     | M      | P      | S     | U      | W      | Approx.<br>Weight |
|-----------|----------------|---------------------|--------|--------------------|--------|--------------------------------------|--|--------|--------|--------|-------|-------|--------|--------|-------|--------|--------|-------------------|
|           |                | Part Number         | L      | Part Number        | L      |                                      |  |        |        |        |       |       |        |        |       |        |        |                   |
| B464      | 4              | PKEB22464H          | 8 1/2  | PKB22464H          | 8 1/2  | 4 1/4                                | 11 3/4                                 | 15 1/4 | 5 1/16 | 4 9/16 | 1     | 2 5/8 | 5 5/8  | 1 1/16 | 2 1/4 | 3 1/16 | 3 7/16 | 62.00             |
|           | 90.00          | <i>PKEB224M90H</i>  | 215.90 | <i>PKB224M90H</i>  | 215.90 | 107.95                               | 298.40                                 | 387.40 | 128.59 | 106.4  | 24.00 | 66.70 | 142.90 | 27.00  | 57.20 | 77.80  | 87.30  | 29.90             |
|           | 100.00         | <i>PKEB224M100H</i> |        | <i>PKB224M100H</i> |        |                                      |  |        |        |        |       |       |        |        |       |        |        | 28.10             |

**Additional Notes**

Please call 1-866-REXNORD for availability  
 Lubrication fitting tap size, 1/8" PT  
 Base to centerline tolerance, +/- .005" (+/-0.13mm)  
 Expansion - is 3/8" for all size codes  
 H labyrinth seals standard  
 All size codes available with type E lip seals & E7 triple lip seals  
 For the Selection Guide, Load Ratings and Speed Limits, see the Link-Belt Spherical Roller Bearings Engineering section

Note: Dimensions subject to change. Certified dimensions of ordered material furnished on request.

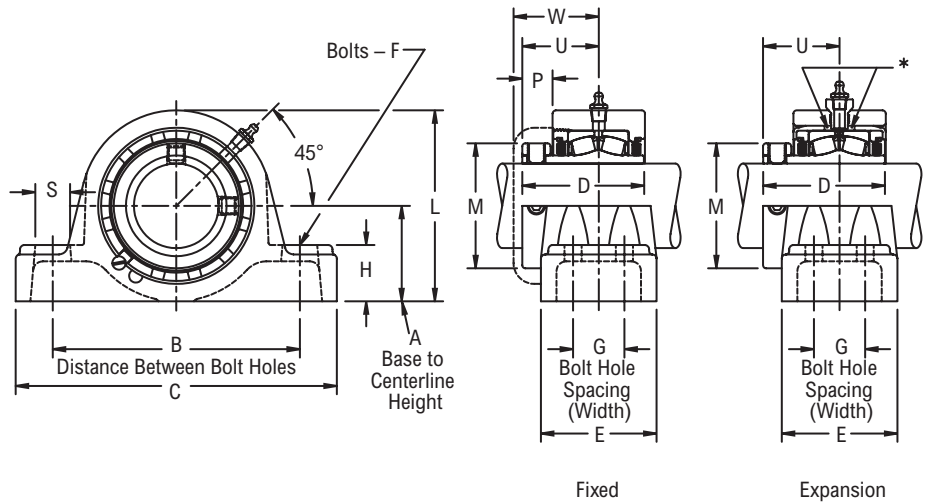
## PKB22400F, PKEB22400F



Photo Shows a 4-Bolt Spherical Roller Bearing Pillow Block Unit

### Product Features

- Corrosion-resistant powder coating
- Cast steel housing
- Misalignment capabilities - total of 4°
- Broad range of sealing options
- Factory set clearance & lubrication
- Hardened spring locking collar
- Field interchangeable seals
- Fixed or Expansion - total of 3/8" expansion
- See Features & Benefits for additional info.



### Bearing Dimensions

| Size Code | Shaft Diameter | Expansion      |                | Fixed          |                | A<br>Base to<br>Centerline<br>Height | B<br>Distance<br>Between<br>Bolt Holes | G<br>Bolt Hole<br>Spacing<br>(Width) | C      | D   | E     | F      | H       | L       | M       | P       | S       | U     | W     | Approx.<br>Weight |
|-----------|----------------|----------------|----------------|----------------|----------------|--------------------------------------|--|--------------------------------------|--------|-----|-------|--------|---------|---------|---------|---------|---------|-------|-------|-------------------|
|           |                | Part<br>Number | Part<br>Number | Part<br>Number | Part<br>Number |                                      |  |                                      |        |     |       |        |         |         |         |         |         |       |       |                   |
| B432      | 1 15/16        | PKEB22431FH    | PKB22431FH     | 2 1/4          | 6 1/4          | 1 19/32                              | 8 3/8                                  | 3 1/8                                | 3 3/16 | 1/2 | 1 3/8 | 4 9/16 | 2 7/8   | 2 1/32  | 13 1/16 | 1 29/32 | 2 9/32  | 13.00 | 6.10  | 5.80              |
|           | 2              | PKEB22432FH    | PKB22432FH     |                |                |                                      |  |                                      |        |     |       |        |         |         |         |         |         |       |       |                   |
|           | 45.00          | PKEB224M45FH   | PKB224M45FH    |                |                |                                      |  |                                      |        |     |       |        |         |         |         |         |         |       |       |                   |
| B436      | 2 3/16         | PKEB22435FH    | PKB22435FH     | 2 1/2          | 6 3/4          | 1 11/16                              | 8 7/8                                  | 3 5/16                               | 3 1/4  | 1/2 | 1 5/8 | 5      | 3 1/4   | 25/32   | 13 1/16 | 2 1/16  | 2 7/16  | 16.00 | 6.10  | 7.30              |
|           | 2 1/4          | PKEB22436FH    | PKB22436FH     |                |                |                                      |  |                                      |        |     |       |        |         |         |         |         |         |       |       |                   |
|           | 55.00          | PKEB224M55FH   | PKB224M55FH    |                |                |                                      |  |                                      |        |     |       |        |         |         |         |         |         |       |       |                   |
| B440      | 2 7/16         | PKEB22439FH    | PKB22439FH     | 2 3/4          | 7 1/8          | 1 3/4                                | 9 1/4                                  | 3 1/2                                | 3 3/8  | 1/2 | 1 3/4 | 5 1/2  | 3 9/16  | 27/32   | 13 1/16 | 2 3/16  | 2 9/16  | 20.00 | 6.10  | 9.30              |
|           | 2 1/2          | PKEB22440FH    | PKB22440FH     |                |                |                                      |  |                                      |        |     |       |        |         |         |         |         |         |       |       |                   |
|           | 60.00          | PKEB224M60FH   | PKB224M60FH    |                |                |                                      |  |                                      |        |     |       |        |         |         |         |         |         |       |       |                   |
| B448      | 2 11/16        | PKEB22443FH    | PKB22443FH     | 3 1/4          | 8 1/8          | 1 7/8                                | 10 7/16                                | 4                                    | 3 3/4  | 5/8 | 2 1/4 | 6 7/16 | 4 1/16  | 27/32   | 15 1/16 | 2 7/16  | 2 25/32 | 30.00 | 29.00 | 28.00             |
|           | 2 3/4          | PKEB22444FH    | PKB22444FH     |                |                |                                      |  |                                      |        |     |       |        |         |         |         |         |         |       |       |                   |
|           | 2 15/16        | PKEB22447FH    | PKB22447FH     |                |                |                                      |  |                                      |        |     |       |        |         |         |         |         |         |       |       |                   |
|           | 3              | PKEB22448FH    | PKB22448FH     |                |                |                                      |  |                                      |        |     |       |        |         |         |         |         |         |       |       |                   |
|           | 65.00          | PKEB224M65FH   | PKB224M65FH    |                |                |                                      |  |                                      |        |     |       |        |         |         |         |         |         |       |       |                   |
|           | 70.00          | PKEB224M70FH   | PKB224M70FH    |                |                |                                      |  |                                      |        |     |       |        |         |         |         |         |         |       |       |                   |
| B456      | 3 3/16         | PKEB22451FH    | PKB22451FH     | 3 3/4          | 10             | 2                                    | 13                                     | 4 3/8                                | 4 1/8  | 3/4 | 2 1/4 | 7 1/2  | 4 29/32 | 15 1/16 | 1 1/2   | 2 21/32 | 3       | 49.00 | 47.00 | 22.00             |
|           | 3 7/16         | PKEB22455FH    | PKB22455FH     |                |                |                                      |  |                                      |        |     |       |        |         |         |         |         |         |       |       |                   |
|           | 3 1/2          | PKEB22456FH    | PKB22456FH     |                |                |                                      |  |                                      |        |     |       |        |         |         |         |         |         |       |       |                   |
|           | 80.00          | PKEB224M80FH   | PKB224M80FH    |                |                |                                      |  |                                      |        |     |       |        |         |         |         |         |         |       |       |                   |
|           | 85.00          | PKEB224M85FH   | PKB224M85FH    |                |                |                                      |  |                                      |        |     |       |        |         |         |         |         |         |       |       |                   |
| B464      | 3 11/16        | PKEB22459FH    | PKB22459FH     | 4 1/4          | 12 1/2         | 2 1/4                                | 15 1/4                                 | 5 1/16                               | 4 1/2  | 3/4 | 2 5/8 | 8 1/2  | 5 5/8   | 1 1/16  | 1 1/4   | 3 1/16  | 3 7/16  | 76.00 | 74.00 | 73.00             |
|           | 3 15/16        | PKEB22463FH    | PKB22463FH     |                |                |                                      |  |                                      |        |     |       |        |         |         |         |         |         |       |       |                   |
|           | 4              | PKEB22464FH    | PKB22464FH     |                |                |                                      |  |                                      |        |     |       |        |         |         |         |         |         |       |       |                   |
|           | 90.00          | PKEB224M90FH   | PKB224M90FH    |                |                |                                      |  |                                      |        |     |       |        |         |         |         |         |         |       |       |                   |
|           | 100.00         | PKEB224M100FH  | PKB224M100FH   |                |                |                                      |  |                                      |        |     |       |        |         |         |         |         |         |       |       |                   |

### Additional Notes

- Please call 1-866-REXNORD for availability
- Lubrication fitting tap size, 1/8" PT
- Base to centerline tolerance, +/- .005" (+/- 0.13mm)
- Expansion - is 3/8" for all size codes
- H labyrinth seals standard
- All size codes available with type E lip seals & E7 triple lip seals
- For the Selection Guide, Load Ratings and Speed Limits, see the Link-Belt Spherical Roller Bearings Engineering section

Note: Dimensions subject to change. Certified dimensions of ordered material furnished on request.

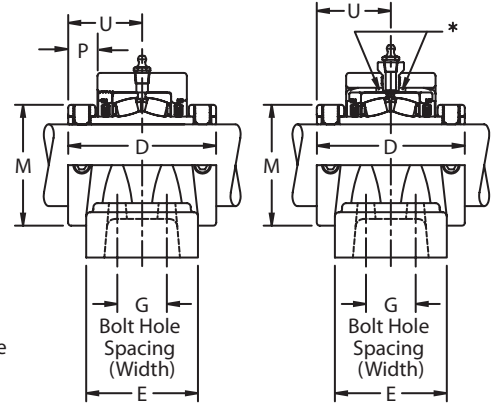
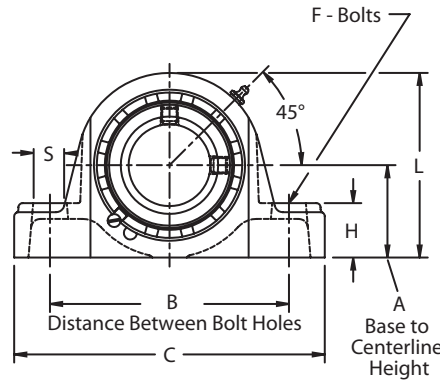
## PKB22500F, PKEB22500F



Photo Shows a 4-Bolt Spherical Roller Bearing Pillow Block Unit

### Product Features

- Corrosion-resistant powder coating
- Cast steel housing
- Misalignment capabilities - total of 4°
- Broad range of sealing options
- Factory set clearance & lubrication
- Two hardened spring locking collars
- Field interchangeable seals
- Fixed or Expansion - total of 3/8" expansion
- See Features & Benefits for additional info.



Fixed

Expansion

### Bearing Dimensions

| Size Code | Shaft Diameter | Expansion      |                | Fixed  |        | A<br>Base to<br>Centerline<br>Height | B<br>Distance<br>Between<br>Bolt Holes | G<br>Bolt Hole<br>Spacing<br>(Width) | C      | D     | E     | F        | H      | L      | M       | P       | S | U | Approx.<br>Weight |
|-----------|----------------|----------------|----------------|--------|--------|--------------------------------------|--|--------------------------------------|--------|-------|-------|----------|--------|--------|---------|---------|---|---|-------------------|
|           |                | Part<br>Number | Part<br>Number |        |        |                                      |  |                                      |        |       |       |          |        |        |         |         |   |   |                   |
| B572      | 4 3/16         | PKEB22567YFH   | PKB22567YFH    | 4 3/4  | 13 1/2 | 2 1/2                                | 16 1/2                                 | 6 1/4                                | 4 3/4  | 3/4   | 2 3/4 | 10       | 6 3/16 | 1      | 1 29/64 | 3 1/8   |   |   | 97.00             |
|           | 4 7/16         | PKEB22571YFH   | PKB22571YFH    |        |        |                                      |  |                                      |        |       |       |          |        |        |         |         |   |   | 93.00             |
|           | 4 1/2          | PKEB22572YFH   | PKB22572YFH    |        |        |                                      |  |                                      |        |       |       |          |        |        |         |         |   |   | 92.00             |
|           | 110.00         | PKEB225M110YFH | PKB225M110YFH  | 120.65 | 342.90 | 63.50                                | 419.10                                 | 158.75                               | 120.60 | 20.00 | 69.80 | 254.00   | 157.16 | 25.4   | 36.90   | 79.50   |   |   | 43.00             |
|           | 115.00         | PKEB225M115YFH | PKB225M115YFH  |        |        |                                      |  |                                      |        |       |       |          |        |        |         |         |   |   | 41.70             |
| B580      | 4 15/16        | PKEB22579YFH   | PKB22579YFH    | 5 1/2  | 15 1/2 | 2 3/4                                | 18 1/2                                 | 7 7/8                                | 6 3/8  | 7/8   | 3     | 11 23/32 | 7 1/16 | 1 5/32 | 1 9/16  | 3 15/16 |   |   | 125.00            |
|           | 5              | PKEB22580YFH   | PKB22580YFH    |        |        |                                      |  |                                      |        |       |       |          |        |        |         |         |   |   | 124.00            |
|           | 125.00         | PKEB225M125YFH | PKB225M125YFH  |        |        |                                      |  |                                      |        |       |       |          |        |        |         |         |   |   | 139.70            |

### Additional Notes

- Please call 1-866-REXNORD for availability
- Lubrication fitting tap size, 1/8" PT
- Base to centerline tolerance, +/- .005" (+/- 0.13mm)
- Expansion - is 3/8" for all size codes
- H labyrinth seals standard
- All size codes available with type E lip seals & E7 triple lip seals
- For the Selection Guide, Load Ratings and Speed Limits, see the Link-Belt Spherical Roller Bearings Engineering section

Note: Dimensions subject to change. Certified dimensions of ordered material furnished on request.



## PKB22600, PKEB22600

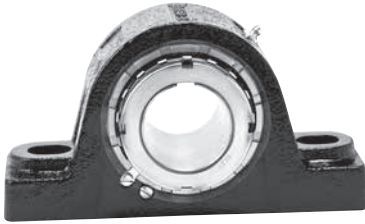
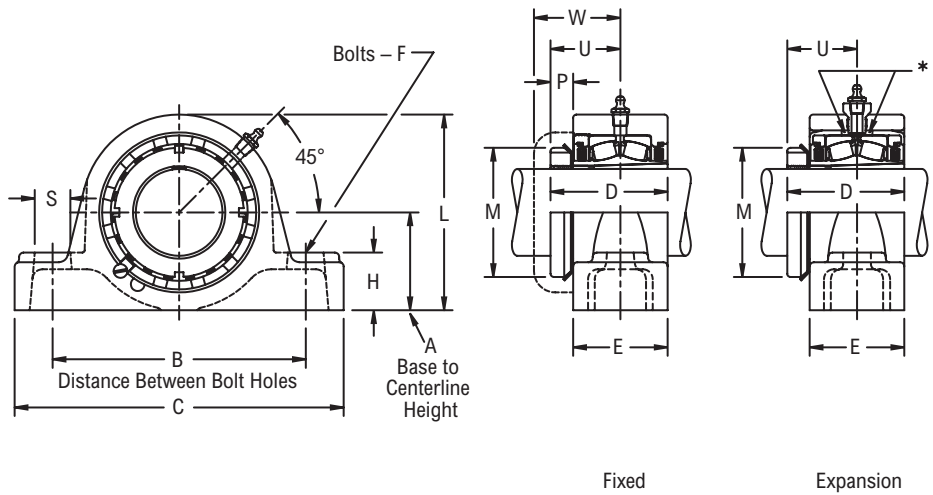


Photo Shows a 2-Bolt Spherical Roller Bearing Pillow Block Unit

### Product Features

- Corrosion-resistant powder coating
- Cast steel housing
- Misalignment capabilities - total of 4°
- Broad range of sealing options
- Factory set clearance & lubrication
- Enhanced life mounting style
- Field interchangeable seals
- Fixed or Expansion - total of 3/8" expansion
- See Features & Benefits for additional info.



### Bearing Dimensions

| Size Code | Shaft Diameter | Expansion   |        | Fixed       |         | A<br>Base to<br>Centerline<br>Height | B<br>Distance<br>Between<br>Bolt Holes | C       | D    | E       | F   | H      | M       | P      | U       | S      | W       | Approx. Weight |
|-----------|----------------|-------------|--------|-------------|---------|--------------------------------------|--|---------|------|---------|-----|--------|---------|--------|---------|--------|---------|----------------|
|           |                | Part Number | L      | Part Number | L       |                                      |  |         |      |         |     |        |         |        |         |        |         |                |
| B624      | 1 7/16         | PKEB22623H  | 3 7/8  | PKB22623H   | 3 11/16 | 1 7/8                                | 5                                      | 6 7/8   | 2.71 | 2 1/4   | 1/2 | 1 3/16 | 2 1/4   | 1/2    | 1 39/64 | 13/16  | 2 3/16  | 7.00           |
| B631      | 1 15/16        | PKEB22631H  | 4 9/16 | PKB22631H   | 4 9/16  | 2 1/4                                | 6 1/4                                  | 8 3/8   | 3.08 | 2 1/2   | 5/8 | 1 3/8  | 2 31/32 | 39/64  | 1 55/64 | 15/16  | 2 9/32  | 12.00          |
| B635      | 2 3/16         | PKEB22635H  | 5      | PKB22635H   | 5       | 2 1/2                                | 6 3/4                                  | 8 7/8   | 3.16 | 2 9/16  | 5/8 | 1 5/8  | 3 5/32  | 5/8    | 1 29/32 | 15/16  | 2 7/16  | 16.00          |
| B639      | 2 7/16         | PKEB22639H  | 5 1/2  | PKB22639H   | 5 1/2   | 2 3/4                                | 7 1/8                                  | 9 1/4   | 3.28 | 2 11/16 | 5/8 | 1 3/4  | 3 5/8   | 45/64  | 1 31/32 | 15/16  | 2 9/16  | 18.00          |
| B647      | 2 11/16        | PKEB22643H  | 6 7/16 | PKB22643H   | 6 7/16  | 3 1/4                                | 8 1/8                                  | 10 7/16 | 3.86 | 3 3/16  | 3/4 | 2 1/4  | 4 5/32  | 56/64  | 2 19/64 | 1 1/16 | 2 25/32 | 30.00          |
|           | 2 15/16        | PKEB22647H  |        | PKB22647H   |         |                                      |  |         |      |         |     |        |         |        |         |        |         | 29.00          |
| B655      | 3 7/16         | PKEB22655H  | 7 1/2  | PKB22655H   | 7 1/2   | 3 3/4                                | 10                                     | 13      | 4.29 | 3 7/16  | 7/8 | 2 1/4  | 4 15/16 | 7/8    | 2 37/64 | 1 5/8  | 3       | 43.00          |
| B663      | 3 15/16        | PKEB22663H  | 8 1/2  | PKB22663H   | 8 1/2   | 4 1/4                                | 11 3/4                                 | 15 1/4  | 4.94 | 4 3/16  | 1   | 2 5/8  | 5 7/16  | 1 5/16 | 2 15/16 | 2 1/4  | 3 7/16  | 62.00          |

### Additional Notes

- Please call 1-866-REXNORD for availability
- Lubrication fitting tap size, 1/8" PT
- Base to centerline tolerance, +/-0.005" (+/-0.13mm)
- Expansion - is 3/8" for all size codes
- Dimensions for "D", "P" & "U" based on unmounted condition
- H labyrinth seals standard
- All size codes available with type E lip seals & E7 triple lip seals

For the Selection Guide, Load Ratings and Speed Limits, see the Link-Belt Spherical Roller Bearings Engineering section  
 Note: Dimensions subject to change. Certified dimensions of ordered material furnished on request.

## PKB22600F, PKEB22600F

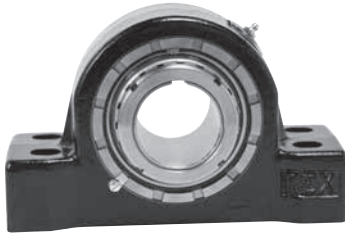
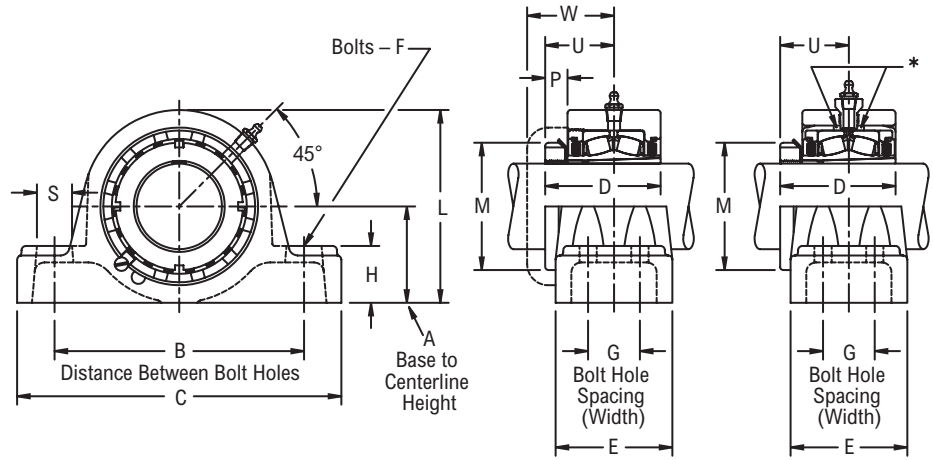


Photo Shows a 4-Bolt Spherical Roller Bearing Pillow Block Unit

### Product Features

- Corrosion-resistant powder coating
- Cast steel housing
- Misalignment capabilities - total of 4°
- Broad range of sealing options
- Factory set clearance & lubrication
- Enhanced life mounting style
- Field interchangeable seals
- Fixed or Expansion - total of 3/8" expansion
- See Features & Benefits for additional info.



Fixed

Expansion

### Bearing Dimensions

| Size Code | Shaft Diameter | Expansion   |             | Fixed |        | A<br>Base to Centerline Height | B<br>Distance Between Bolt Holes | G<br>Bolt Hole Spacing (Width) | C      | D   | E     | F      | H       | L     | M     | P       | S       | U     | W | Approx. Weight |
|-----------|----------------|-------------|-------------|-------|--------|--------------------------------|----------------------------------|--------------------------------|--------|-----|-------|--------|---------|-------|-------|---------|---------|-------|---|----------------|
|           |                | Part Number | Part Number |       |        |                                |                                  |                                |        |     |       |        |         |       |       |         |         |       |   |                |
| B631      | 1 15/16        | PKEB22631FH | PKB22631FH  | 2 1/4 | 6 1/4  | 1 19/32                        | 8 3/8                            | 3.08                           | 3 3/16 | 1/2 | 1 3/8 | 4 9/16 | 2 31/32 | 39/64 | 13/16 | 1 55/64 | 2 9/32  | 13.00 |   |                |
| B635      | 2 3/16         | PKEB22635FH | PKB22635FH  | 2 1/2 | 6 3/4  | 1 11/16                        | 8 7/8                            | 3.16                           | 3 1/4  | 1/2 | 1 5/8 | 5      | 3 5/32  | 5/8   | 13/16 | 1 29/32 | 2 7/16  | 16.00 |   |                |
| B639      | 2 7/16         | PKEB22639FH | PKB22639FH  | 2 3/4 | 7 1/8  | 1 3/4                          | 9 1/4                            | 3.28                           | 3 3/8  | 1/2 | 1 3/4 | 5 1/2  | 3 5/8   | 5/8   | 13/16 | 1 31/32 | 2 9/16  | 20.00 |   |                |
|           | 2 11/16        | PKEB22643FH | PKB22643FH  | 3 1/4 | 8 1/8  | 1 7/8                          | 10 7/16                          | 3.86                           | 3 3/4  | 5/8 | 2 1/4 | 6 7/16 | 4 5/32  | 45/64 | 15/16 | 2 19/64 | 2 25/32 | 30.00 |   |                |
| B647      | 2 15/16        | PKEB22647FH | PKB22647FH  | 3 1/4 | 8 1/8  | 1 7/8                          | 10 7/16                          | 3.86                           | 3 3/4  | 5/8 | 2 1/4 | 6 7/16 | 4 5/32  | 45/64 | 15/16 | 2 19/64 | 2 25/32 | 29.00 |   |                |
| B655      | 3 7/16         | PKEB22655FH | PKB22655FH  | 3 3/4 | 10     | 2                              | 13                               | 4.29                           | 4 1/8  | 3/4 | 2 1/4 | 7 1/2  | 4 15/16 | 56/64 | 1 1/2 | 2 37/64 | 3       | 47.00 |   |                |
| B663      | 3 15/16        | PKEB22663FH | PKB22663FH  | 4 1/4 | 12 1/2 | 2 1/4                          | 15 1/4                           | 4.94                           | 4 1/2  | 3/4 | 2 5/8 | 8 1/2  | 5 7/16  | 15/16 | 1 1/4 | 2 15/16 | 3 7/16  | 74.00 |   |                |

### Additional Notes

- Please call 1-866-REXNORD for availability
- Lubrication fitting tap size, 1/8" PT
- Base to centerline tolerance, +/- .005" (+/- 0.13mm)
- Expansion - is 3/8" for all size codes
- Dimensions for "D", "P" & "U" based on unmounted condition
- H labyrinth seals standard
- All size codes available with type E lip seals & E7 triple lip seals

For the Selection Guide, Load Ratings and Speed Limits, see the Link-Belt Spherical Roller Bearings Engineering section

Note: Dimensions subject to change. Certified dimensions of ordered material furnished on request.

# EPB22400, EPEB22400

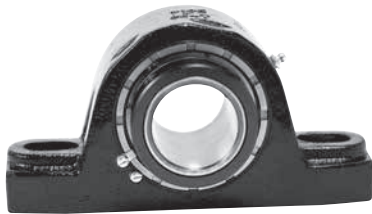
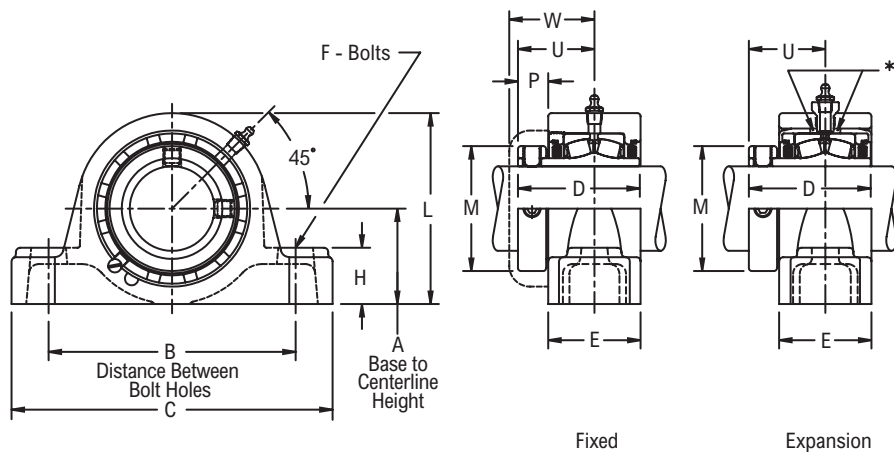


Photo Shows a 2-Bolt Spherical Roller Bearing Pillow Block Unit

## Product Features

- Self-aligning type E interchange
- Corrosion-resistant powder coating
- Cast iron housing
- Misalignment capabilities - total of 4°
- Broad range of sealing options
- Factory set clearance & lubrication
- Hardened spring locking collar
- Field interchangeable seals
- Fixed or Expansion - total of 3/8" expansion
- See Features & Benefits for additional info.



## Bearing Dimensions

| Size Code | Shaft Diameter     | Expansion          |                   | Fixed  | A<br>Base to<br>Centerline<br>Height | B<br>Distance Between<br>Bolt Holes |          | C      | D       | E     | F      | H      | L       | M      | P       | U       | W     | Approx. Weight |
|-----------|--------------------|--------------------|-------------------|--------|--------------------------------------|-------------------------------------|----------|--------|---------|-------|--------|--------|---------|--------|---------|---------|-------|----------------|
|           |                    | Part Number        | Part Number       | Min    |                                      | Max                                 |          |        |         |       |        |        |         |        |         |         |       |                |
| B424      | 1 7/16             | EPEB22423H         | EPB22423H         | 1 7/8  | 4 3/4                                | 6                                   | 7 3/8    | 2 7/8  | 2 1/4   | 1 1/2 | 1 1/8  | 3 7/8  | 2 5/16  | 2 1/32 | 1 25/32 | 2 3/16  | 8.00  |                |
|           | 35.00              | <i>EPEB224M35H</i> | <i>EPB224M35H</i> | 47.62  | 120.60                               | 152.40                              | 187.30   | 73.02  | 57.20   | 12.00 | 28.60  | 98.40  | 58.70   | 16.70  | 45.20   | 55.60   | 3.10  |                |
| B428      | 1 1/2              | EPEB224B24H        | EPB224B24H        | 2 1/8  | 5 1/4                                | 6 1/2                               | 7 7/8    | 3 1/8  | 2 1/2   | 1 1/2 | 1 1/4  | 4 3/8  | 2 19/32 | 2 1/32 | 1 29/32 | 2 1/4   | 11.00 |                |
|           | 1 5/8              | EPEB22426H         | EPB22426H         |        |                                      |                                     |          |        |         |       |        |        |         |        |         |         |       |                |
|           | 1 11/16            | EPEB22427H         | EPB22427H         | 53.98  | 133.40                               | 165.10                              | 200.00   | 79.38  | 63.50   | 12.00 | 31.80  | 111.10 | 65.90   | 16.70  | 48.40   | 57.20   | 5.40  |                |
| B432      | 1 3/4              | EPEB224B28H        | EPB224B28H        | 2 1/4  | 6 1/16                               | 7 1/4                               | 8 7/8    | 3 1/8  | 2 1/2   | 5/8   | 1 5/16 | 4 9/16 | 2 7/8   | 2 1/32 | 1 29/32 | 2 9/32  | 12.00 |                |
|           | 1 15/16            | EPEB22431H         | EPB22431H         |        |                                      |                                     |          |        |         |       |        |        |         |        |         |         |       |                |
|           | 2                  | EPEB22432H         | EPB22432H         | 57.15  | 154.00                               | 184.20                              | 225.40   | 79.38  | 63.50   | 16.00 | 33.30  | 115.90 | 73.00   | 16.70  | 48.40   | 57.90   | 5.50  |                |
|           | 45.00              | <i>EPEB224M45H</i> | <i>EPB224M45H</i> | 57.15  | 154.00                               | 184.20                              | 225.40   | 79.38  | 63.50   | 16.00 | 33.30  | 115.90 | 73.00   | 16.70  | 48.40   | 57.90   | 5.50  |                |
| B436      | 2 3/16             | EPEB22435H         | EPB22435H         | 2 1/2  | 6 9/16                               | 8                                   | 9 5/8    | 3 5/16 | 2 9/16  | 5/8   | 1 1/2  | 5      | 3 1/4   | 2 5/32 | 2 1/16  | 2 7/16  | 15.00 |                |
|           | 55.00              | <i>EPEB224M55H</i> | <i>EPB224M55H</i> | 63.50  | 166.70                               | 203.20                              | 244.50   | 84.14  | 65.10   | 16.00 | 38.10  | 127.00 | 82.60   | 19.80  | 52.40   | 61.90   | 6.60  |                |
| B440      | 2 1/4              | EPEB224B36H        | EPB224B36H        | 2 3/4  | 6 15/16                              | 8 3/4                               | 10 1/2   | 3 1/2  | 2 11/16 | 5/8   | 1 5/8  | 5 1/2  | 3 9/16  | 2 7/32 | 2 3/16  | 2 9/16  | 17.00 |                |
|           | 2 7/16             | EPEB22439H         | EPB22439H         |        |                                      |                                     |          |        |         |       |        |        |         |        |         |         |       |                |
|           | 2 1/2              | EPEB22440H         | EPB22440H         | 69.85  | 176.20                               | 222.20                              | 266.70   | 88.90  | 68.30   | 16.00 | 41.30  | 139.70 | 90.50   | 21.40  | 55.60   | 65.10   | 8.20  |                |
| B448      | 2 11/16            | EPEB22443H         | EPB22443H         | 3 1/8  | 7 13/16                              | 9 3/4                               | 11 13/16 | 4      | 3 3/16  | 3/4   | 1 7/8  | 6 5/16 | 4 1/16  | 2 7/32 | 2 7/16  | 2 25/32 | 28.00 |                |
|           | 2 3/4              | EPEB22444H         | EPB22444H         |        |                                      |                                     |          |        |         |       |        |        |         |        |         |         |       |                |
|           | 2 15/16            | EPEB22447H         | EPB22447H         |        |                                      |                                     |          |        |         |       |        |        |         |        |         |         |       |                |
|           | 3                  | EPEB22448H         | EPB22448H         | 79.38  | 198.40                               | 247.60                              | 300.00   | 101.60 | 81.00   | 20.00 | 47.60  | 160.30 | 103.20  | 21.40  | 61.90   | 70.60   | 13.50 |                |
|           | 65.00              | <i>EPEB224M65H</i> | <i>EPB224M65H</i> | 79.38  | 198.40                               | 247.60                              | 300.00   | 101.60 | 81.00   | 20.00 | 47.60  | 160.30 | 103.20  | 21.40  | 61.90   | 70.60   | 13.30 |                |
| 70.00     | <i>EPEB224M70H</i> | <i>EPB224M70H</i>  | 79.38             | 198.40 | 247.60                               | 300.00                              | 101.60   | 81.00  | 20.00   | 47.60 | 160.30 | 103.20 | 21.40   | 61.90  | 70.60   | 12.80   |       |                |
| B456      | 3 3/16             | EPEB22451H         | EPB22451H         | 3 3/4  | 9 5/16                               | 11 5/16                             | 13 13/16 | 4 3/8  | 3 1/2   | 7/8   | 2 1/4  | 7 1/2  | 4 29/32 | 1 5/16 | 2 21/32 | 3       | 43.00 |                |
|           | 3 7/16             | EPEB22455H         | EPB22455H         |        |                                      |                                     |          |        |         |       |        |        |         |        |         |         |       |                |
|           | 3 1/2              | EPEB22456H         | EPB22456H         | 95.25  | 236.50                               | 287.30                              | 350.80   | 111.12 | 88.90   | 24.00 | 57.20  | 190.50 | 124.60  | 23.80  | 67.50   | 76.20   | 20.00 |                |
|           | 80.00              | <i>EPEB224M80H</i> | <i>EPB224M80H</i> | 95.25  | 236.50                               | 287.30                              | 350.80   | 111.12 | 88.90   | 24.00 | 57.20  | 190.50 | 124.60  | 23.80  | 67.50   | 76.20   | 19.50 |                |
| 85.00     | <i>EPEB224M85H</i> | <i>EPB224M85H</i>  | 95.25             | 236.50 | 287.30                               | 350.80                              | 111.12   | 88.90  | 24.00   | 57.20 | 190.50 | 124.60 | 23.80   | 67.50  | 76.20   | 19.50   |       |                |

## Additional Notes

- Please call 1-866-REXNORD for availability
- Lubrication fitting tap size, 1/8" PT
- Base to centerline tolerance, +/-0.005" (+/-0.13mm)
- Expansion - is 3/8" for all size codes
- H labyrinth seals standard
- All size codes available with type E lip seals & E7 triple lip seals
- For the Selection Guide, Load Ratings and Speed Limits, see the Link-Belt Spherical Roller Bearings Engineering section

Note: Dimensions subject to change. Certified dimensions of ordered material furnished on request.

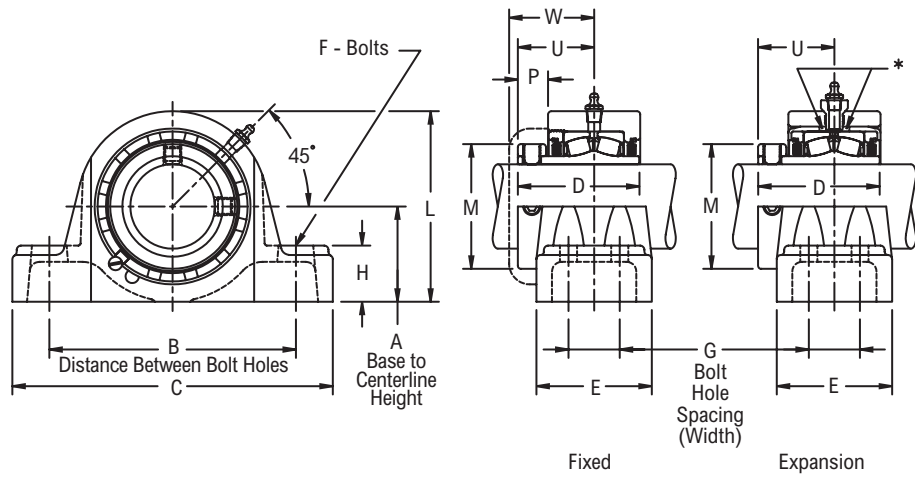
## EPB22400F, EPEB22400F



Photo Shows a 4-Bolt Spherical Roller Bearing Pillow Block Unit

### Product Features

- Self-aligning type E interchange
- Corrosion-resistant powder coating
- Cast iron housing
- Misalignment capabilities - total of 4°
- Broad range of sealing options
- Factory set clearance & lubrication
- Hardened spring locking collar
- Field interchangeable seals
- Fixed or Expansion - total of 3/8" expansion
- See Features & Benefits for additional info.



### Bearing Dimensions

| Size Code | Shaft Diameter | Expansion      |                | Fixed |         | A<br>Base to<br>Centerline<br>Height | B<br>Distance Between<br>Bolt Holes |          | G<br>Bolt Hole<br>Spacing<br>(Width) | C     | D     | E     | F      | H       | L      | M       | P       | U     | W     | Approx.<br>Weight |
|-----------|----------------|----------------|----------------|-------|---------|--------------------------------------|-------------------------------------|----------|--------------------------------------|-------|-------|-------|--------|---------|--------|---------|---------|-------|-------|-------------------|
|           |                | Part<br>Number | Part<br>Number | Min   | Max     |                                      |                                     |          |                                      |       |       |       |        |         |        |         |         |       |       |                   |
| B440      | 2 1/4          | EPEB224B36FH   | EPB224B36FH    | 2 3/4 | 6 15/16 | 8 3/4                                | 1 7/8                               | 10 1/2   | 3 1/2                                | 3 5/8 | 5/8   | 1 5/8 | 5 1/2  | 3 9/16  | 27/32  | 2 3/16  | 2 9/16  | 21.00 |       |                   |
|           | 2 7/16         | EPEB22439FH    | EPB22439FH     |       |         |                                      |                                     |          |                                      |       |       |       |        |         |        |         |         |       | 20.00 |                   |
|           | 2 1/2          | EPEB22440FH    | EPB22440FH     |       |         |                                      |                                     |          |                                      |       |       |       |        |         |        |         |         |       | 20.00 |                   |
|           | 60.00          | EPEB224M60FH   | EPB224M60FH    | 69.85 | 176.20  | 222.20                               | 47.60                               | 266.70   | 88.90                                | 92.10 | 16.00 | 41.30 | 139.70 | 90.50   | 21.4   | 55.60   | 65.1    | 8.80  |       |                   |
| B448      | 2 11/16        | EPEB22443FH    | EPB22443FH     | 3 1/8 | 7 13/16 | 9 7/8                                | 2 1/8                               | 11 13/16 | 4                                    | 4 1/4 | 5/8   | 1 7/8 | 6 5/16 | 4 1/16  | 27/32  | 2 7/16  | 2 25/32 | 31.00 |       |                   |
|           | 2 3/4          | EPEB22444FH    | EPB22444FH     |       |         |                                      |                                     |          |                                      |       |       |       |        |         |        |         |         |       | 29.00 |                   |
|           | 2 15/16        | EPEB22447FH    | EPB22447FH     |       |         |                                      |                                     |          |                                      |       |       |       |        |         |        |         |         |       | 29.00 |                   |
|           | 3              | EPEB22448FH    | EPB22448FH     |       |         |                                      |                                     |          |                                      |       |       |       |        |         |        |         |         |       | 29.00 |                   |
|           | 65.00          | EPEB224M65FH   | EPB224M65FH    |       |         |                                      |                                     |          |                                      |       |       |       |        |         |        |         |         |       | 14.00 |                   |
|           | 70.00          | EPEB224M70FH   | EPB224M70FH    |       |         |                                      |                                     |          |                                      |       |       |       |        |         |        |         |         |       | 13.80 |                   |
|           | 75.00          | EPEB224M75FH   | EPB224M75FH    | 13.30 |         |                                      |                                     |          |                                      |       |       |       |        |         |        |         |         |       |       |                   |
| B456      | 3 3/16         | EPEB22451FH    | EPB22451FH     | 3 3/4 | 9 5/16  | 11 5/16                              | 2 3/8                               | 13 13/16 | 4 3/8                                | 4 3/4 | 3/4   | 2 1/4 | 7 1/2  | 4 29/32 | 15/16  | 2 21/32 | 3       | 47.00 |       |                   |
|           | 3 7/16         | EPEB22455FH    | EPB22455FH     |       |         |                                      |                                     |          |                                      |       |       |       |        |         |        |         |         |       | 46.00 |                   |
|           | 3 1/2          | EPEB22456FH    | EPB22456FH     |       |         |                                      |                                     |          |                                      |       |       |       |        |         |        |         |         |       | 45.00 |                   |
|           | 80.00          | EPEB224M80FH   | EPB224M80FH    |       |         |                                      |                                     |          |                                      |       |       |       |        |         |        |         |         |       | 21.30 |                   |
|           | 85.00          | EPEB224M85FH   | EPB224M85FH    |       |         |                                      |                                     |          |                                      |       |       |       |        |         |        |         |         |       | 20.80 |                   |
| B464      | 3 11/16        | EPEB22459FH    | EPB22459FH     | 4 1/4 | 11 7/8  | 13                                   | 2 1/4                               | 15 1/4   | 5 1/16                               | 4 1/2 | 3/4   | 2 5/8 | 8 1/2  | 5 5/8   | 1 1/16 | 3 1/16  | 3 7/16  | 69.00 |       |                   |
|           | 3 15/16        | EPEB22463FH    | EPB22463FH     |       |         |                                      |                                     |          |                                      |       |       |       |        |         |        |         |         |       | 67.00 |                   |
|           | 4              | EPEB22464FH    | EPB22464FH     |       |         |                                      |                                     |          |                                      |       |       |       |        |         |        |         |         |       | 66.00 |                   |
|           | 90.00          | EPEB224M90FH   | EPB224M90FH    |       |         |                                      |                                     |          |                                      |       |       |       |        |         |        |         |         |       | 32.10 |                   |
|           | 100.00         | EPEB224M100FH  | EPB224M100FH   |       |         |                                      |                                     |          |                                      |       |       |       |        |         |        |         |         |       | 30.30 |                   |

### Additional Notes

- Please call 1-866-REXNORD for availability
- Lubrication fitting tap size, 1/8" PT
- Base to centerline tolerance, +/- .005" (+/- 0.13mm)
- Expansion - is 3/8" for all size codes
- H labyrinth seals standard
- All size codes available with type E lip seals & E7 triple lip seals
- For the Selection Guide, Load Ratings and Speed Limits, see the Link-Belt Spherical Roller Bearings Engineering section

Note: Dimensions subject to change. Certified dimensions of ordered material furnished on request.

# EPB22500, EPEB22500, EPB22500F, EPEB22500F

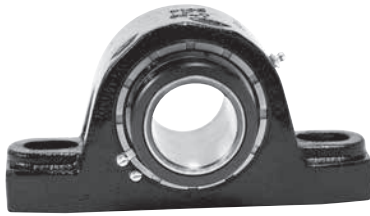
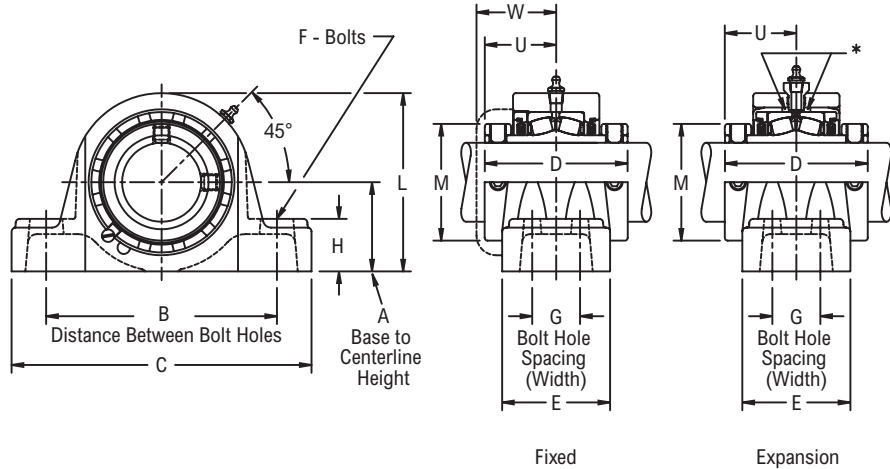


Photo Shows a 2-Bolt Spherical Roller Bearing Pillow Block Unit

## Product Features

- Self-aligning type E interchange
- Corrosion-resistant powder coating
- Cast iron housing
- Misalignment capabilities - total of 4°
- Broad range of sealing options
- Factory set clearance & lubrication
- Two hardened spring locking collars
- Field interchangeable seals
- Fixed or Expansion - total of 3/8" expansion
- See Features & Benefits for additional info.



## Bearing Dimensions

| Size Code                     | Shaft Diameter | Expansion      |               | Fixed  |         | A<br>Base to Centerline Height | B<br>Distance Between Bolt Holes |          | G<br>Bolt Hole Spacing (Width) | C       | D     | E      | F      | H       | L       | M       | U     | W | Approx. Weight |        |
|-------------------------------|----------------|----------------|---------------|--------|---------|--------------------------------|----------------------------------|----------|--------------------------------|---------|-------|--------|--------|---------|---------|---------|-------|---|----------------|--------|
|                               |                | Part Number    | Part Number   | Min    | Max     |                                |                                  |          |                                |         |       |        |        |         |         |         |       |   |                |        |
| <b>Two-Bolt Pillow Block</b>  |                |                |               |        |         |                                |                                  |          |                                |         |       |        |        |         |         |         |       |   |                |        |
| B524                          | 1 7/16         | EPEB22523H     | EPB22523H     | 1 7/8  | 4 3/4   | 6                              | -                                | 7 3/8    | 3 9/16                         | 2 1/4   | 1/2   | 1 1/8  | 3 7/8  | 2 5/16  | 1 25/32 | 2 3/16  | 8.00  |   |                |        |
| B528                          | 1 11/16        | EPEB22527H     | EPB22527H     | 2 1/8  | 5 1/2   | 6 1/2                          | -                                | 7 7/8    | 3 13/16                        | 2 1/2   | 1/2   | 1 1/4  | 4 3/8  | 2 19/32 | 1 29/32 | 2 1/4   | 12.00 |   |                |        |
| B531                          | 1 15/16        | EPEB22531H     | EPB22531H     | 2 1/4  | 6 1/16  | 7 1/4                          | -                                | 8 7/8    | 3 13/16                        | 2 1/2   | 5/8   | 1 5/16 | 4 9/16 | 2 7/8   | 1 29/32 | 2 3/32  | 13.00 |   |                |        |
| B536                          | 2 3/16         | EPEB22535H     | EPB22535H     | 2 1/2  | 6 9/16  | 8                              | -                                | 9 5/8    | 4 1/8                          | 2 9/16  | 5/8   | 1 1/2  | 5      | 3 1/4   | 2 1/16  | 2 7/16  | 16.00 |   |                |        |
| B540                          | 2 7/16         | EPEB22539H     | EPB22539H     | 2 3/4  | 6 15/16 | 8 3/4                          | -                                | 10 1/2   | 4 3/8                          | 2 11/16 | 5/8   | 1 5/8  | 5 1/2  | 3 9/16  | 2 3/16  | 2 9/16  | 18.00 |   |                |        |
| B548                          | 2 11/16        | EPEB22543H     | EPB22543H     | 3 1/8  | 7 13/16 | 9 3/4                          | -                                | 11 11/16 | 4 7/8                          | 3 13/16 | 3/4   | 1 7/8  | 6 5/16 | 4 1/16  | 2 7/16  | 2 25/32 | -     | - | -              |        |
|                               | 2 15/16        | EPEB22547H     | EPB22547H     |        |         |                                |                                  |          |                                |         |       |        |        |         |         |         |       |   |                | 29.00  |
| B556                          | 3 7/16         | EPEB22555H     | EPB22555H     | 3 3/4  | 9 5/16  | 11 5/16                        | -                                | 13 13/16 | 5 5/16                         | 3 1/2   | 7/8   | 2 1/4  | 7 1/2  | 4 29/32 | 2 21/32 | 3       | 45.00 |   |                |        |
| <b>Four-Bolt Pillow Block</b> |                |                |               |        |         |                                |                                  |          |                                |         |       |        |        |         |         |         |       |   |                |        |
| B540                          | 2 7/16         | EPEB22539FH    | EPB22539FH    | 2 3/4  | 6 15/16 | 8 3/4                          | 1 7/8                            | 10 1/2   | 4 3/8                          | 3 5/8   | 5/8   | 1 5/8  | 5 1/2  | 3 9/16  | 2 3/16  | 2 9/16  | 21.00 |   |                |        |
| B548                          | 2 11/16        | EPEB22543FH    | EPB22543FH    | 3 1/8  | 7 13/16 | 9 7/8                          | 2 1/8                            | 11 13/16 | 4 7/8                          | 4 1/4   | 5/8   | 1 7/8  | 6 5/16 | 4 1/16  | 2 7/16  | 2 25/32 | -     | - | -              |        |
|                               | 2 15/16        | EPEB22547FH    | EPB22547FH    |        |         |                                |                                  |          |                                |         |       |        |        |         |         |         |       |   |                | 31.00  |
| B556                          | 3 7/16         | EPEB22555FH    | EPB22555FH    | 3 3/4  | 9 5/16  | 11 7/16                        | 2 3/8                            | 13 13/16 | 5 5/16                         | 4 3/4   | 3/4   | 2 1/4  | 7 1/2  | 4 29/32 | 2 21/32 | 3       | 48.00 |   |                |        |
| B564                          | 3 15/16        | EPEB22563FH    | EPB22563FH    | 4 1/4  | 11 7/8  | 13                             | 2 1/4                            | 15 1/4   | 6 1/8                          | 4 1/2   | 3/4   | 2 5/8  | 8 5/8  | 5 5/8   | 3 1/16  | 3 7/16  | -     | - | -              |        |
|                               | 4              | EPEB22564FH    | EPB22564FH    |        |         |                                |                                  |          |                                |         |       |        |        |         |         |         |       |   |                | 71.00  |
| B572                          | 4 3/16         | EPEB22567YFH   | EPB22567YFH   | 4 3/4  | 12 3/4  | 14 1/8                         | 2 1/2                            | 16 1/2   | 6 1/4                          | 4 5/8   | 3/4   | 2 3/4  | 9 3/8  | 6 3/16  | 3 1/8   | -       | -     | - | -              |        |
|                               | 4 7/16         | EPEB22571YFH   | EPB22571YFH   |        |         |                                |                                  |          |                                |         |       |        |        |         |         |         |       |   |                | 88.00  |
|                               | 4 1/2          | EPEB22572YFH   | EPB22572YFH   |        |         |                                |                                  |          |                                |         |       |        |        |         |         |         |       |   |                | 87.00  |
| B580                          | 4 15/16        | EPEB22579YFH   | EPB22579YFH   | 5 1/2  | 14 5/16 | 16 1/8                         | 2 3/4                            | 18 1/2   | 7 7/8                          | 5 9/16  | 7/8   | 3      | 11 1/8 | 7 1/16  | 3 15/16 | -       | -     | - | -              |        |
|                               | 5              | EPEB22580YFH   | EPB22580YFH   |        |         |                                |                                  |          |                                |         |       |        |        |         |         |         |       |   |                | 129.00 |
|                               | 125.00         | EPEB225M125YFH | EPB225M125YFH |        |         |                                |                                  |          |                                |         |       |        |        |         |         |         |       |   |                | 128.00 |
| 110.00                        | EPEB225M110YFH | EPB225M110YFH  | 120.65        | 323.90 | 358.80  | 63.50                          | 419.10                           | 158.75   | 117.48                         | 20.00   | 69.80 | 238.10 | 157.16 | 79.37   | -       | -       | -     | - | 40.70          |        |
| 115.00                        | EPEB225M115YFH | EPB225M115YFH  | -             | -      | -       | -                              | -                                | -        | -                              | -       | -     | -      | -      | -       | -       | -       | -     | - | -              | 39.50  |
| 125.00                        | EPEB225M125YFH | EPB225M125YFH  | 139.70        | 363.60 | 409.60  | 69.80                          | 469.90                           | 200.02   | 141.29                         | 24.00   | 76.20 | 282.57 | 179.38 | 100.01  | -       | -       | -     | - | -              | 58.10  |

## Additional Notes

- Please call 1-866-REXNORD for availability
- Lubrication fitting tap size, 1/8" PT
- Base to centerline tolerance, +/-0.005" (+/-0.13mm)
- Expansion - is 3/8" for all size codes
- H labyrinth seals standard
- All size codes available with type E lip seals & E7 triple lip seals
- For the Selection Guide, Load Ratings and Speed Limits, see the Link-Belt Spherical Roller Bearings Engineering section

Note: Dimensions subject to change. Certified dimensions of ordered material furnished on request.

## EPB22600, EPEB22600

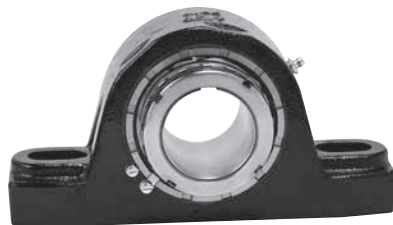
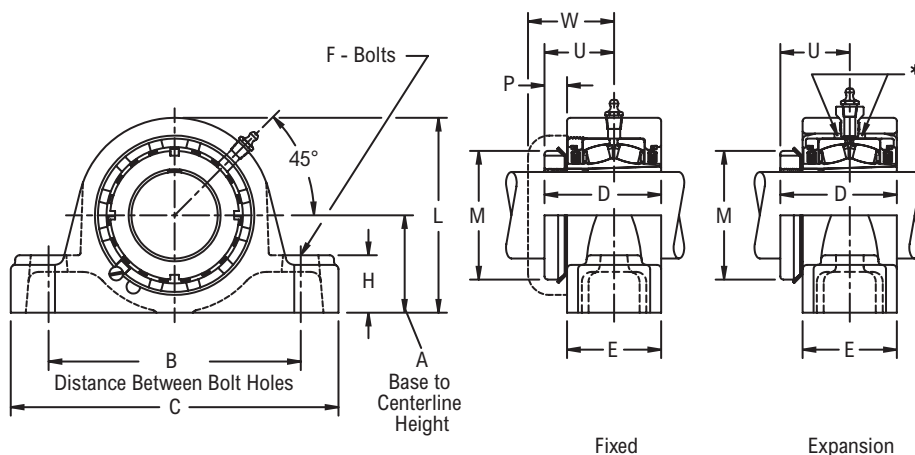


Photo Shows a 2-Bolt Spherical Roller Bearing Pillow Block Unit

### Product Features

- Self-aligning type E interchange
- Corrosion-resistant powder coating
- Cast iron housing
- Misalignment capabilities - total of 4°
- Broad range of sealing options
- Factory set clearance & lubrication
- Enhanced life mounting style
- Field interchangeable seals
- Fixed or Expansion - total of 3/8" expansion
- See Features & Benefits for additional info.



Fixed

Expansion

### Bearing Dimensions

| Size Code | Shaft Diameter | Expansion   |             | Fixed |         | A<br>Base to<br>Centerline<br>Height | B<br>Distance Between<br>Bolt Holes |      | C       | D   | E      | F      | H       | L     | M       | P       | U     | W     | Approx.<br>Weight |
|-----------|----------------|-------------|-------------|-------|---------|--------------------------------------|-------------------------------------|------|---------|-----|--------|--------|---------|-------|---------|---------|-------|-------|-------------------|
|           |                | Part Number | Part Number | Min   | Max     |                                      |                                     |      |         |     |        |        |         |       |         |         |       |       |                   |
|           |                |             |             |       |         |                                      |                                     |      |         |     |        |        |         |       |         |         |       |       |                   |
| B624      | 1 7/16         | EPEB22623H  | EPB22623H   | 1 7/8 | 4 3/4   | 6                                    | 7 3/8                               | 2.71 | 2 1/4   | 1/2 | 1 1/8  | 3 7/8  | 2 1/4   | 1/2   | 1 39/64 | 2 3/16  | 8.00  |       |                   |
| B631      | 1 15/16        | EPEB22631H  | EPB22631H   | 2 1/4 | 6 1/16  | 7 1/4                                | 8 7/8                               | 3.08 | 2 1/2   | 5/8 | 1 5/16 | 4 9/16 | 2 31/32 | 39/64 | 1 55/64 | 2 9/32  | 12.00 |       |                   |
| B635      | 2 3/16         | EPEB22635H  | EPB22635H   | 2 1/2 | 6 9/16  | 8                                    | 9 5/8                               | 3.16 | 2 9/16  | 5/8 | 1 1/2  | 5      | 3 5/32  | 5/8   | 1 29/32 | 2 7/16  | 15.00 |       |                   |
| B639      | 2 7/16         | EPEB22639H  | EPB22639H   | 2 3/4 | 6 15/16 | 8 3/4                                | 10 1/2                              | 3.28 | 2 11/16 | 5/8 | 1 5/8  | 5 1/2  | 3 5/8   | 45/64 | 1 31/32 | 2 9/16  | 17.00 |       |                   |
| B647      | 2 11/16        | EPEB22643H  | EPB22643H   | 3 1/8 | 7 13/16 | 9 3/4                                | 11 13/16                            | 3.86 | 3 3/16  | 3/4 | 1 7/8  | 6 5/16 | 4 5/32  | 55/64 | 2 19/64 | 2 25/32 | 29.00 |       |                   |
|           | 2 15/16        | EPEB22647H  | EPB22647H   |       |         |                                      |                                     |      |         |     |        |        |         |       |         |         |       | 27.00 |                   |
| B655      | 3 7/16         | EPEB22655H  | EPB22655H   | 3 3/4 | 9 5/16  | 11 5/16                              | 13 13/16                            | 4.29 | 3 1/2   | 7/8 | 2 1/4  | 7 1/2  | 4 15/16 | 7/8   | 2 37/64 | 3       | 43.00 |       |                   |

### Additional Notes

- Please call 1-866-REXNORD for availability
- Lubrication fitting tap size, 1/8" PT
- Base to centerline tolerance, +/- .005" (+/- 0.13mm)
- Expansion - is 3/8" for all size codes
- Dimensions for "D", "P" & "U" based on unmounted condition
- H labyrinth seals standard
- All size codes available with type E lip seals & E7 triple lip seals

For the Selection Guide, Load Ratings and Speed Limits, see the Link-Belt Spherical Roller Bearings Engineering section  
 Note: Dimensions subject to change. Certified dimensions of ordered material furnished on request.

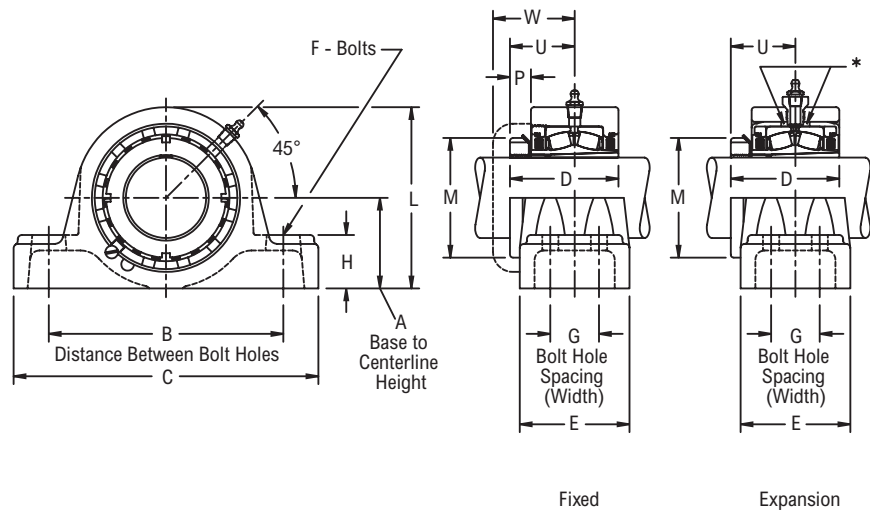
# EPB22600F, EPEB22600F



Photo Shows a 4-Bolt Spherical Roller Bearing Pillow Block Unit

## Product Features

- Self-aligning type E interchange
- Corrosion-resistant powder coating
- Cast iron housing
- Misalignment capabilities - total of 4°
- Broad range of sealing options
- Factory set clearance & lubrication
- Enhanced life mounting style
- Field interchangeable seals
- Fixed or Expansion - total of 3/8" expansion
- See Features & Benefits for additional info.



## Bearing Dimensions

| Size Code | Shaft Diameter | Expansion   |             | Fixed |         | A<br>Base to Centerline Height | B<br>Distance Between Bolt Holes |          | G<br>Bolt Hole Spacing (Width) | C     | D   | E     | F      | H       | L     | M       | P       | U     | W | Approx. Weight |
|-----------|----------------|-------------|-------------|-------|---------|--------------------------------|----------------------------------|----------|--------------------------------|-------|-----|-------|--------|---------|-------|---------|---------|-------|---|----------------|
|           |                | Part Number | Part Number | Min   | Max     |                                |                                  |          |                                |       |     |       |        |         |       |         |         |       |   |                |
|           |                |             |             |       |         |                                |                                  |          |                                |       |     |       |        |         |       |         |         |       |   |                |
| B639      | 2 7/16         | EPEB22639FH | EPB22639FH  | 2 3/4 | 6 15/16 | 8 3/4                          | 1 7/8                            | 10 1/2   | 3.28                           | 3 5/8 | 5/8 | 1 5/8 | 5 1/2  | 3 5/8   | 5/8   | 1 31/32 | 2 9/16  | 20.00 |   |                |
| B647      | 2 11/16        | EPEB22643FH | EPB22643FH  | 3 1/8 | 7 13/16 | 9 7/8                          | 2 1/8                            | 11 13/16 | 3.86                           | 4 1/4 | 5/8 | 1 7/8 | 6 5/16 | 4 5/32  | 45/64 | 2 19/64 | 2 25/32 | 29.00 |   |                |
|           |                | EPEB22647FH | EPB22647FH  |       |         |                                |                                  |          |                                |       |     |       |        |         |       |         |         |       |   |                |
| B655      | 3 7/16         | EPEB22655FH | EPB22655FH  | 3 3/4 | 9 5/16  | 11 5/16                        | 2 3/8                            | 13 13/16 | 4.29                           | 4 3/4 | 3/4 | 2 1/4 | 7 1/2  | 4 15/16 | 55/64 | 2 37/64 | 3       | 46.00 |   |                |

## Additional Notes

- Please call 1-866-REXNORD for availability
- Lubrication fitting tap size, 1/8" PT
- Base to centerline tolerance, +/-0.005" (+/-0.13mm)
- Expansion - is 3/8" for all size codes
- Dimensions for "D", "P" & "U" based on unmounted condition
- H labyrinth seals standard
- All size codes available with type E lip seals & E7 triple lip seals

For the Selection Guide, Load Ratings and Speed Limits, see the Link-Belt Spherical Roller Bearings Engineering section  
 Note: Dimensions subject to change. Certified dimensions of ordered material furnished on request.





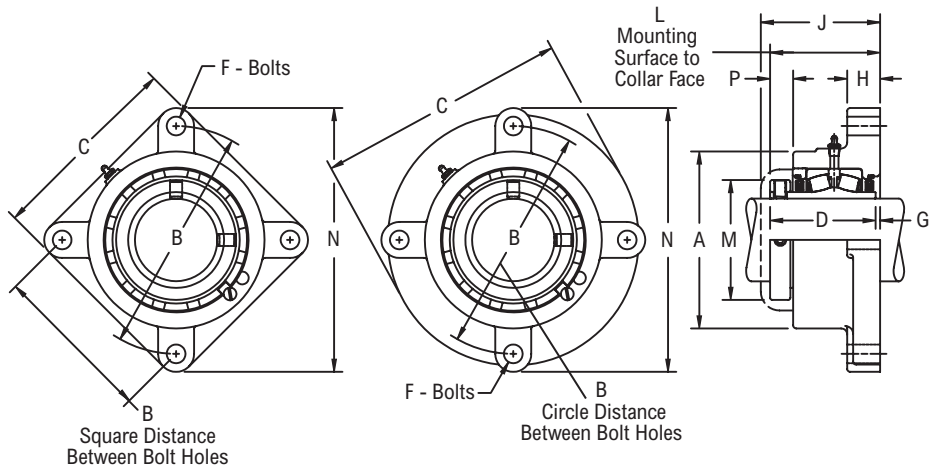
# FB22400, FEB22400



Photo Shows a 4-Bolt Spherical Roller Bearing Flanged Unit

## Product Features

- Corrosion-resistant powder coating
- Cast iron housing
- Misalignment capabilities - total of 4°
- Broad range of sealing options
- Factory set clearance & lubrication
- Hardened spring locking collar
- Field interchangeable seals
- Fixed or Expansion - total of 3/8 in expansion
- See Features & Benefits for additional info.



## Bearing Dimensions

| Size Code            | Shaft Diameter | Expansion   |           | Fixed       |         | B Distance Between Bolt Holes |        | L Mounting Surface to Collar Face | C       | D       | F Bolts | G     | H      | J       | M       | N       | P     | Approx. Weight |           |        |        |        |        |        |        |       |      |       |        |        |        |       |       |
|----------------------|----------------|-------------|-----------|-------------|---------|-------------------------------|--------|-----------------------------------|---------|---------|---------|-------|--------|---------|---------|---------|-------|----------------|-----------|--------|--------|--------|--------|--------|--------|-------|------|-------|--------|--------|--------|-------|-------|
|                      |                | Part Number | A         | Part Number | A       | Square                        | Circle |                                   |         |         |         |       |        |         |         |         |       |                |           |        |        |        |        |        |        |       |      |       |        |        |        |       |       |
|                      |                |             |           |             |         |                               |        |                                   |         |         |         |       |        |         |         |         |       |                |           |        |        |        |        |        |        |       |      |       |        |        |        |       |       |
| <b>3-Bolt Round</b>  |                |             |           |             |         |                               |        |                                   |         |         |         |       |        |         |         |         |       |                |           |        |        |        |        |        |        |       |      |       |        |        |        |       |       |
| B416                 | 1              | FEB22416H   | 3 1/4     | FB22416H    | 2 7/8   | -                             | 4 1/8  | 2 19/32                           | 4 3/4   | 2 9/16  | 3/8     | 1/32  | 9/16   | 2 15/16 | 1 3/4   | 5 1/8   | 17/32 | 3.00           |           |        |        |        |        |        |        |       |      |       |        |        |        |       |       |
|                      | 25.00          | FEB224M25H  | 82.60     | FB224M25H   | 73.00   | -                             | 104.78 | 65.90                             | 120.60  | 65.09   | 10.00   | 0.80  | 14.30  | 74.60   | 44.40   | 130.20  | 13.50 | 1.30           |           |        |        |        |        |        |        |       |      |       |        |        |        |       |       |
| B420                 | 1 3/16         | FEB22419H   | 3 1/2     | FB22419H    | 3 1/8   | -                             | 4 1/2  | 2 23/32                           | 5 1/8   | 2 11/16 | 3/8     | 1/32  | 19/32  | 3 1/16  | 1 31/32 | 5 1/2   | 17/32 | 6.00           |           |        |        |        |        |        |        |       |      |       |        |        |        |       |       |
|                      | 1 1/4          | FEB22420H   |           | FB22420H    |         |                               |        |                                   |         |         |         |       |        |         |         |         |       |                |           |        |        |        |        |        |        |       |      |       |        |        |        |       |       |
|                      | 30.00          | FEB224M30H  | 88.90     | FB224M30H   | 79.40   | -                             | 114.30 | 69.00                             | 130.20  | 68.26   | 10.00   | 0.80  | 15.10  | 77.80   | 50.00   | 139.70  | 13.50 | 2.40           |           |        |        |        |        |        |        |       |      |       |        |        |        |       |       |
| B424                 | 1 7/16         | FEB22423H   | 3 3/4     | FB22423H    | 3 7/16  | -                             | 5      | 2 29/32                           | 5 7/8   | 2 7/8   | 1/2     | 1/32  | 5/8    | 3 3/16  | 2 5/16  | 6 1/4   | 21/32 | 7.00           |           |        |        |        |        |        |        |       |      |       |        |        |        |       |       |
|                      | 1 1/2          | FEB22424H   |           | FB22424H    |         |                               |        |                                   |         |         |         |       |        |         |         |         |       |                |           |        |        |        |        |        |        |       |      |       |        |        |        |       |       |
|                      | 35.00          | FEB224M35H  | 95.20     | FB224M35H   | 87.30   | -                             | 127.00 | 73.80                             | 149.20  | 73.02   | 12.00   | 0.80  | 15.90  | 84.10   | 58.70   | 158.80  | 16.70 | 3.20           |           |        |        |        |        |        |        |       |      |       |        |        |        |       |       |
| <b>4-Bolt Round</b>  |                |             |           |             |         |                               |        |                                   |         |         |         |       |        |         |         |         |       |                |           |        |        |        |        |        |        |       |      |       |        |        |        |       |       |
| B428                 | 1 5/8          | FEB22426H   | 4 1/4     | FB22426H    | 3 15/16 | 3 57/64                       | 5 1/2  | 3 5/32                            | 6 3/8   | 3 1/8   | 1/2     | 1/32  | 5/8    | 3 1/2   | 2 19/32 | 6 3/4   | 21/32 | 9.00           |           |        |        |        |        |        |        |       |      |       |        |        |        |       |       |
|                      | 1 11/16        | FEB22427H   |           | FB22427H    |         |                               |        |                                   |         |         |         |       |        |         |         |         |       |                |           |        |        |        |        |        |        |       |      |       |        |        |        |       |       |
|                      | 1 3/4          | FEB22428H   |           | FB22428H    |         |                               |        |                                   |         |         |         |       |        |         |         |         |       |                |           |        |        |        |        |        |        |       |      |       |        |        |        |       |       |
|                      | 40.00          | FEB224M40H  | 108.00    | FB224M40H   | 100.00  | 98.83                         | 139.70 | 80.20                             | 161.90  | 79.38   | 12.00   | 0.80  | 15.90  | 88.90   | 65.90   | 171.40  | 16.70 | 4.30           |           |        |        |        |        |        |        |       |      |       |        |        |        |       |       |
| B432                 | 1 15/16        | FEB22431H   | 4 1/2     | FB22431H    | 4 1/4   | 4 1/16                        | 5 3/4  | 3 3/16                            | 6 11/16 | 3 1/8   | 1/2     | 1/16  | 11/16  | 3 3/16  | 2 7/8   | 7       | 21/32 | 10.00          |           |        |        |        |        |        |        |       |      |       |        |        |        |       |       |
|                      | 2              | FEB22432H   |           | FB22432H    |         |                               |        |                                   |         |         |         |       |        |         |         |         |       |                |           |        |        |        |        |        |        |       |      |       |        |        |        |       |       |
|                      | 45.00          | FEB224M45H  |           | 114.30      |         |                               |        |                                   |         |         |         |       |        |         |         |         |       |                | FB224M45H | 108.00 | 103.17 | 146.05 | 81.00  | 169.90 | 79.38  | 12.00 | 1.60 | 17.50 | 90.50  | 73.00  | 177.80 | 16.70 | 5.00  |
|                      | 50.00          | FEB224M50H  |           | FB224M50H   |         |                               |        |                                   |         |         |         |       |        |         |         |         |       | 4.70           |           |        |        |        |        |        |        |       |      |       |        |        |        |       |       |
| B436                 | 2 3/16         | FEB22435H   | 4 7/8     | FB22435H    | 4 7/8   | 4 1/2                         | 6 3/8  | 3 13/32                           | 7 3/8   | 3 5/16  | 5/8     | 3/32  | 11/16  | 3 25/32 | 3 1/4   | 7 3/4   | 25/32 | 14.00          |           |        |        |        |        |        |        |       |      |       |        |        |        |       |       |
|                      | 2 1/4          | FEB22436H   |           | FB22436H    |         |                               |        |                                   |         |         |         |       |        |         |         |         |       |                |           |        |        |        |        |        |        |       |      |       |        |        |        |       |       |
|                      | 55.00          | FEB224M55H  |           | 123.80      |         |                               |        |                                   |         |         |         |       |        |         |         |         |       |                | FB224M55H | 123.80 | 114.30 | 161.92 | 86.50  | 187.30 | 84.14  | 16.00 | 2.40 | 17.50 | 96.00  | 82.60  | 196.80 | 19.80 | 6.50  |
| B440                 | 2 7/16         | FEB22439H   | 5 3/8     | FB22439H    | 5 3/8   | 4 49/64                       | 6 3/4  | 3 19/32                           | 7 3/4   | 3 1/2   | 5/8     | 3/32  | 3/4    | 3 31/32 | 3 9/16  | 8 1/8   | 27/32 | 17.00          |           |        |        |        |        |        |        |       |      |       |        |        |        |       |       |
|                      | 2 1/2          | FEB22440H   |           | FB22440H    |         |                               |        |                                   |         |         |         |       |        |         |         |         |       |                |           |        |        |        |        |        |        |       |      |       |        |        |        |       |       |
|                      | 60.00          | FEB224M60H  |           | 136.50      |         |                               |        |                                   |         |         |         |       |        |         |         |         |       |                | FB224M60H | 136.50 | 121.06 | 171.45 | 91.30  | 196.80 | 88.90  | 16.00 | 2.40 | 19.00 | 100.80 | 90.50  | 206.40 | 21.40 | 7.90  |
| B448                 | 2 11/16        | FEB22443H   | 6 1/4     | FB22443H    | 6 1/4   | 5 9/16                        | 7 7/8  | 4 3/32                            | 9 1/8   | 4       | 3/4     | 3/32  | 7/8    | 4 7/16  | 4 1/16  | 9 1/2   | 27/32 | 28.00          |           |        |        |        |        |        |        |       |      |       |        |        |        |       |       |
|                      | 2 3/4          | FEB22444H   |           | FB22444H    |         |                               |        |                                   |         |         |         |       |        |         |         |         |       |                |           |        |        |        |        |        |        |       |      |       |        |        |        |       |       |
|                      | 2 15/16        | FEB22447H   |           | FB22447H    |         |                               |        |                                   |         |         |         |       |        |         |         |         |       |                |           |        |        |        |        |        |        |       |      |       |        |        |        |       |       |
|                      | 3              | FEB22448H   |           | FB22448H    |         |                               |        |                                   |         |         |         |       |        |         |         |         |       |                |           |        |        |        |        |        |        |       |      |       |        |        |        |       |       |
|                      | 65.00          | FEB224M65H  |           |             |         |                               |        |                                   |         |         |         |       |        |         |         |         |       |                | FB224M65H |        |        |        |        |        |        |       |      |       |        |        |        |       | 12.70 |
| 70.00                | FEB224M70H     | 158.80      | FB224M70H | 158.80      | 141.27  | 200.02                        | 104.00 | 231.80                            | 101.60  | 20.00   | 2.40    | 22.20 | 112.70 | 103.20  | 241.30  | 21.40   | 12.50 |                |           |        |        |        |        |        |        |       |      |       |        |        |        |       |       |
|                      | 75.00          | FEB224M75H  |           | FB224M75H   |         |                               |        |                                   |         |         |         |       |        |         |         |         |       | 12.00          |           |        |        |        |        |        |        |       |      |       |        |        |        |       |       |
| <b>4-Bolt Square</b> |                |             |           |             |         |                               |        |                                   |         |         |         |       |        |         |         |         |       |                |           |        |        |        |        |        |        |       |      |       |        |        |        |       |       |
| B456                 | 3 3/16         | FEB22451H   | 7 3/8     | FB22451H    | 7 3/8   | 6 23/32                       | 9 1/2  | 4 9/16                            | 8 7/16  | 4 3/8   | 3/4     | 1/4   | 1      | 4 29/32 | 4 29/32 | 11 7/16 | 15/16 | 41.00          |           |        |        |        |        |        |        |       |      |       |        |        |        |       |       |
|                      | 3 7/16         | FEB22455H   |           | FB22455H    |         |                               |        |                                   |         |         |         |       |        |         |         |         |       |                |           |        |        |        |        |        |        |       |      |       |        |        |        |       |       |
|                      | 3 1/2          | FEB22456H   |           | FB22456H    |         |                               |        |                                   |         |         |         |       |        |         |         |         |       |                |           |        |        |        |        |        |        |       |      |       |        |        |        |       |       |
|                      | 80.00          | FEB224M80H  |           | 187.30      |         |                               |        |                                   |         |         |         |       |        |         |         |         |       |                | FB224M80H | 187.30 | 170.64 | 241.30 | 115.90 | 214.31 | 111.12 | 20.00 | 6.40 | 25.40 | 124.60 | 124.60 | 290.50 | 23.80 | 18.60 |
|                      | 85.00          | FEB224M85H  |           |             |         |                               |        |                                   |         |         |         |       |        |         |         |         |       |                | FB224M85H |        |        |        |        |        |        |       |      |       |        |        |        |       | 18.10 |

Continued...

Continued...

**Bearing Dimensions**

| Size Code | Shaft Diameter | Expansion          |        | Fixed             |        | B<br>Distance Between Bolt Holes |        | L<br>Mounting Surface to Collar Face | C      | D      | F<br>Bolts | G    | H     | J      | M      | N        | P      | Approx. Weight |
|-----------|----------------|--------------------|--------|-------------------|--------|----------------------------------|--------|--------------------------------------|--------|--------|------------|------|-------|--------|--------|----------|--------|----------------|
|           |                | Part Number        | A      | Part Number       | A      | Square                           | Circle |                                      |        |        |            |      |       |        |        |          |        |                |
|           |                |                    |        |                   |        | 4-Bolt Square (continued)        |        |                                      |        |        |            |      |       |        |        |          |        |                |
| B464      | 3 11/16        | FEB22459H          | 8 3/8  | FB22459H          | 8 1/2  | 7 19/32                          | 10 3/4 | 5 7/32                               | 9 3/4  | 5 1/16 | 7/8        | 1/4  | 1 1/8 | 5 5/8  | 5 5/8  | 12 29/32 | 1 1/32 | 59.00          |
|           | 3 15/16        | FEB22463H          |        | FB22463H          |        |                                  |        |                                      |        |        |            |      |       |        |        |          |        | 57.00          |
|           | 4              | FEB22464H          |        | FB22464H          |        |                                  |        |                                      |        |        |            |      |       |        |        |          |        |                |
|           | 90.00          | <i>FEB224M90H</i>  | 212.70 | <i>FB224M90H</i>  | 215.90 | 192.88                           | 273.05 | 132.60                               | 247.60 | 128.59 | 24.00      | 6.40 | 28.60 | 142.90 | 142.90 | 327.80   | 26.20  | 27.70          |
|           | 100.00         | <i>FEB224M100H</i> |        | <i>FB224M100H</i> |        |                                  |        |                                      |        |        |            |      |       |        |        |          |        |                |

**Additional Notes**

Please call 1-866-REXNORD for availability  
 Lubrication fitting tap size, 1/8 in PT  
 Expansion - is 3/8 in for all size codes  
 For expansion units, dimensions "G", "L" & "P" are minimum values.  
 For maximum values, add 3/8 in  
 H labyrinth seals standard  
 All size codes available with type E lip seals, except E7 in size code B416

For the Selection Guide, Load Ratings and Speed Limits, see the Link-Belt Spherical Roller Bearings Engineering section  
 Note: Dimensions subject to change. Certified dimensions of ordered material furnished on request.

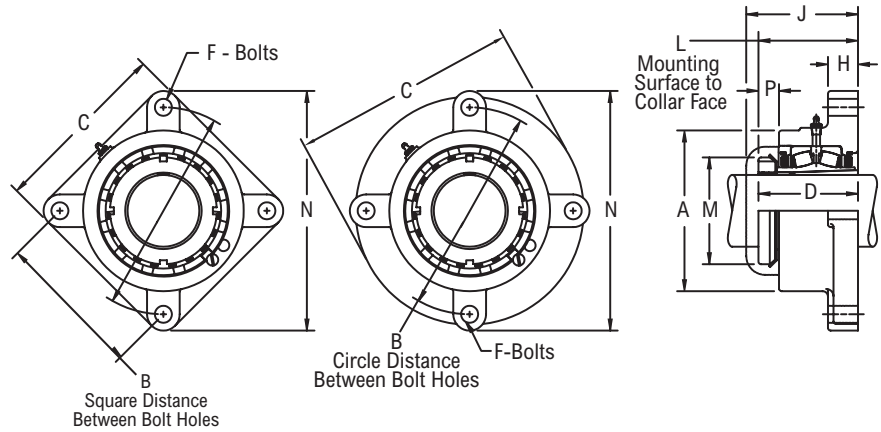
# FB22600, FEB22600



Photo Shows a 4-Bolt Spherical Roller Bearing Flanged Unit

## Product Features

- Corrosion-resistant powder coating
- Cast iron housing
- Misalignment capabilities - total of 4°
- Broad range of sealing options
- Factory set clearance & lubrication
- Enhanced life mounting style
- Field interchangeable seals
- Fixed or Expansion - total of 3/8 in expansion
- See Features & Benefits for additional info.



## Bearing Dimensions

| Size Code            | Shaft Diameter | Expansion   |       | Fixed       |        | B Distance Between Bolt Holes |        | L Mounting Surface to Collar Face | C       | D    | F Bolts | H     | J       | M       | N        | P     | Approx. Weight |
|----------------------|----------------|-------------|-------|-------------|--------|-------------------------------|--------|-----------------------------------|---------|------|---------|-------|---------|---------|----------|-------|----------------|
|                      |                | Part Number | A     | Part Number | A      | Square                        | Circle |                                   |         |      |         |       |         |         |          |       |                |
| <b>3-Bolt Round</b>  |                |             |       |             |        |                               |        |                                   |         |      |         |       |         |         |          |       |                |
| B624                 | 1 7/16         | FEB22623H   | 3 3/4 | FB22623H    | 3 7/16 | -                             | 5      | 2 3/4                             | 5 7/8   | 2.71 | 1/2     | 5/8   | 3 5/16  | 2 1/4   | 6 1/4    | 1/2   | 7.00           |
| <b>4-Bolt Round</b>  |                |             |       |             |        |                               |        |                                   |         |      |         |       |         |         |          |       |                |
| B631                 | 1 15/16        | FEB22631H   | 4 1/2 | FB22631H    | 4 1/4  | 4 1/16                        | 5 3/4  | 3 9/64                            | 6 11/16 | 3.08 | 1/2     | 11/16 | 3 9/16  | 2 31/32 | 7        | 5/8   | 10.00          |
| B635                 | 2 3/16         | FEB22635H   | 4 7/8 | FB22635H    | 4 7/8  | 4 1/2                         | 6 3/8  | 3 17/64                           | 7 3/8   | 3.16 | 5/8     | 11/16 | 3 25/32 | 3 5/32  | 7 3/4    | 41/64 | 14.00          |
| B639                 | 2 7/16         | FEB22639H   | 5 3/8 | FB22639H    | 5 3/8  | 4 49/64                       | 6 3/4  | 3 3/8                             | 7 3/4   | 3.28 | 5/8     | 3/4   | 3 31/32 | 3 5/8   | 8 1/8    | 5/8   | 17.00          |
| B647                 | 2 11/16        | FEB22643H   | 6 1/4 | FB22643H    | 6 1/4  | 5 9/16                        | 7 7/8  | 3 31/32                           | 9 1/8   | 3.86 | 3/4     | 7/8   | 4 7/16  | 4 5/32  | 9 1/2    | 45/64 | 27.00          |
|                      | 2 15/16        | FEB22647H   |       | 26.00       |        |                               |        |                                   |         |      |         |       |         |         |          |       |                |
| <b>4-Bolt Square</b> |                |             |       |             |        |                               |        |                                   |         |      |         |       |         |         |          |       |                |
| B655                 | 3 7/16         | FEB22655H   | 7 3/8 | FB22655H    | 7 3/8  | 6 23/32                       | 9 1/2  | 4 31/64                           | 8 7/16  | 4.29 | 3/4     | 1     | 4 29/32 | 4 15/16 | 11 7/16  | 55/64 | 39.00          |
| B663                 | 3 15/16        | FEB22663H   | 8 3/8 | FB22663H    | 8 1/2  | 7 19/32                       | 10 3/4 | 5 7/64                            | 9 3/4   | 4.94 | 7/8     | 1 1/8 | 5 5/8   | 5 7/16  | 12 29/32 | 59/64 | 57.00          |

## Additional Notes

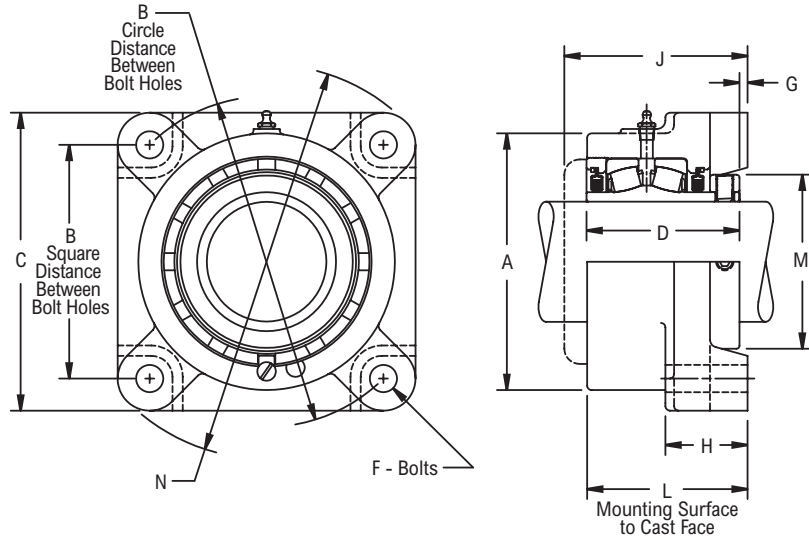
- Please call 1-866-REXNORD for availability
- Lubrication fitting tap size, 1/8 in PT
- Expansion - is 3/8 in for all size codes
- Dimensions for "D", "L" & "P" based on unmounted condition
- For expansion units, dimensions "G", "L" & "P" are minimum values.
- For maximum values, add 3/8 in
- H labyrinth seals standard
- All size codes available with type E lip seals & E7 triple lip seals

For the Selection Guide, Load Ratings and Speed Limits, see the Link-Belt Spherical Roller Bearings Engineering section  
 Note: Dimensions subject to change. Certified dimensions of ordered material furnished on request.

# EFRB22400



Photo Shows a 4-Bolt Spherical Roller Bearing Flanged Unit



### Product Features

- Self aligning type E interchange
  - Corrosion-resistant powder coating
  - Cast iron housing
  - Misalignment capabilities - total of 4°
  - Broad range of sealing options
  - Factory set clearance & lubrication
  - Hardened spring locking collar
  - Field interchangeable seals
- See Features & Benefits for additional info.

### Bearing Dimensions

| Size Code | Shaft Diameter | Part Number  | B Distance Between Bolt Holes |             | L Mounting Surface to Cast Face | A       | C      | D      | F Bolts | G      | H       | J       | M       | N        | Approx. Weight |        |       |
|-----------|----------------|--------------|-------------------------------|-------------|---------------------------------|---------|--------|--------|---------|--------|---------|---------|---------|----------|----------------|--------|-------|
|           |                |              | Square                        | Circle      |                                 |         |        |        |         |        |         |         |         |          |                |        |       |
| B424      | 1 7/16         | EFRB22423H   | 3 1/2                         | 4 61/64     | 2 31/32                         | 3 11/16 | 4 5/8  | 2 7/8  | 1/2     | 1/16   | 1 3/8   | 4 1/32  | 2 5/16  | 6 1/16   | 8.00           |        |       |
|           | 35.00          | EFRB224M35H  | 88.90                         | 125.81      | 75.40                           | 93.70   | 117.50 | 73.02  | 12.00   | 1.60   | 34.90   | 102.40  | 58.70   | 154.00   | 3.40           |        |       |
| B428      | 1 1/2          | EFRB224B24H  | 4 1/8                         | 5 53/64     | 3 9/32                          | 4 1/4   | 5 3/8  | 3 1/8  | 1/2     | 1/8    | 1 7/16  | 4 9/32  | 2 19/32 | 7 7/32   | 11.00          |        |       |
|           | 1 3/8          | EFRB22426H   |                               |             |                                 |         |        |        |         |        |         |         |         |          | 10.00          |        |       |
|           | 40.00          | EFRB224M40H  | 104.80                        | 148.03      | 83.30                           | 108.00  | 136.50 | 79.38  | 12.00   | 3.20   | 36.50   | 108.70  | 65.90   | 183.40   | 5.10           |        |       |
| B432      | 1 3/4          | EFRB224B28H  | 4 3/8                         | 6 3/16      | 3 9/32                          | 4 1/2   | 5 5/8  | 3 1/8  | 1/2     | 1/8    | 1 7/16  | 4 5/16  | 2 7/8   | 7 5/16   | 11.00          |        |       |
|           | 1 15/16        | EFRB22431H   |                               |             |                                 |         |        |        |         |        |         |         |         |          | 10.00          |        |       |
|           | 2              | EFRB22432H   | 45.00                         | EFRB224M45H | 111.10                          | 157.18  | 83.30  | 114.30 | 142.90  | 79.38  | 12.00   | 3.20    | 36.50   | 109.50   | 73.00          | 185.70 | 5.30  |
|           | 50.00          | EFRB224M50H  | 111.10                        | 157.18      | 83.30                           | 114.30  | 142.90 | 79.38  | 12.00   | 3.20   | 36.50   | 109.50  | 73.00   | 185.70   | 5.00           |        |       |
| B436      | 2 3/16         | EFRB22435H   | 4 7/8                         | 6 57/64     | 3 1/2                           | 5       | 6 1/4  | 3 5/16 | 5/8     | 1/8    | 1 9/16  | 4 5/8   | 3 1/4   | 8 9/32   | 15.00          |        |       |
|           | 55.00          | EFRB224M55H  | 123.80                        | 175.03      | 88.90                           | 127.00  | 158.80 | 84.14  | 16.00   | 3.20   | 39.70   | 117.50  | 82.60   | 210.30   | 7.10           |        |       |
| B440      | 2 1/4          | EFRB224B36H  | 5 3/8                         | 7 19/32     | 3 23/32                         | 5 1/2   | 6 7/8  | 3 1/2  | 5/8     | 3/16   | 1 23/32 | 4 15/16 | 3 9/16  | 8 31/32  | 18.00          |        |       |
|           | 2 7/16         | EFRB22439H   |                               |             |                                 |         |        |        |         |        |         |         |         |          | 17.00          |        |       |
|           | 2 1/2          | EFRB22440H   | 60.00                         | EFRB224M60H | 136.50                          | 192.89  | 94.50  | 139.70 | 174.60  | 88.90  | 16.00   | 4.80    | 43.70   | 125.40   | 90.50          | 227.80 | 7.90  |
|           | 2 11/16        | EFRB22443H   | 26.00                         |             |                                 |         |        |        |         |        |         |         |         |          |                |        |       |
| B448      | 2 3/4          | EFRB22444H   | 6                             | 8 31/64     | 4 7/32                          | 6 1/2   | 7 3/4  | 4      | 3/4     | 3/16   | 1 25/32 | 5 13/32 | 4 1/16  | 10 1/8   | 25.00          |        |       |
|           | 2 15/16        | EFRB22447H   |                               |             |                                 |         |        |        |         |        |         |         |         |          | 24.00          |        |       |
|           | 3              | EFRB22448H   | 65.00                         | EFRB224M65H | 152.40                          | 215.49  | 107.20 | 165.10 | 196.90  | 101.60 | 20.00   | 4.80    | 45.20   | 137.30   | 103.20         | 257.20 | 11.50 |
|           | 70.00          | EFRB224M70H  | 152.40                        | 215.49      | 107.20                          | 165.10  | 196.90 | 101.60 | 20.00   | 4.80   | 45.20   | 137.30  | 103.20  | 257.20   | 11.50          |        |       |
|           | 75.00          | EFRB224M75H  | 152.40                        | 215.49      | 107.20                          | 165.10  | 196.90 | 101.60 | 20.00   | 4.80   | 45.20   | 137.30  | 103.20  | 257.20   | 11.00          |        |       |
| B456      | 3 3/16         | EFRB22451H   | 7                             | 9 59/64     | 4 21/32                         | 7 3/8   | 9 1/4  | 4 3/8  | 3/4     | 1/4    | 1 31/32 | 5 3/4   | 4 29/32 | 11 21/32 | 42.00          |        |       |
|           | 3 7/16         | EFRB22455H   |                               |             |                                 |         |        |        |         |        |         |         |         |          | 41.00          |        |       |
|           | 3 1/2          | EFRB22456H   | 80.00                         | EFRB224M80H | 177.80                          | 251.23  | 118.30 | 187.30 | 235.00  | 111.12 | 20.00   | 6.40    | 50.00   | 146.00   | 124.60         | 296.10 | 18.90 |
|           | 85.00          | EFRB224M85H  | 177.80                        | 251.23      | 118.30                          | 187.30  | 235.00 | 111.12 | 20.00   | 6.40   | 50.00   | 146.00  | 124.60  | 296.10   | 18.40          |        |       |
| B464      | 3 11/16        | EFRB22459H   | 7 3/4                         | 10 61/64    | 5 15/32                         | 8 7/8   | 9 3/4  | 5 1/16 | 7/8     | 1/4    | 2 7/32  | 6 5/8   | 5 5/8   | 12 31/32 | 58.00          |        |       |
|           | 3 15/16        | EFRB22463H   |                               |             |                                 |         |        |        |         |        |         |         |         |          | 56.00          |        |       |
|           | 4              | EFRB22464H   | 90.00                         | EFRB224M90H | 196.80                          | 278.21  | 138.90 | 247.65 | 247.65  | 128.59 | 24.00   | 6.40    | 56.40   | 168.30   | 142.90         | 329.40 | 27.20 |
|           | 100.00         | EFRB224M100H | 196.80                        | 278.21      | 138.90                          | 247.65  | 247.65 | 128.59 | 24.00   | 6.40   | 56.40   | 168.30  | 142.90  | 329.40   | 25.40          |        |       |

### Additional Notes

- Please call 1-866-REXNORD for availability
- Lubrication fitting tap size, 1/8 in PT
- H labyrinth seals standard
- All size codes available with type E lip seals & E7 triple lip seals
- For the Selection Guide, Load Ratings and Speed Limits, see the Link-Belt Spherical Roller Bearings Engineering section
- Note: Dimensions subject to change. Certified dimensions of ordered material furnished on request.

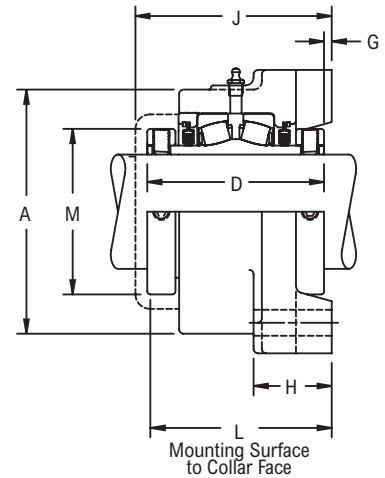
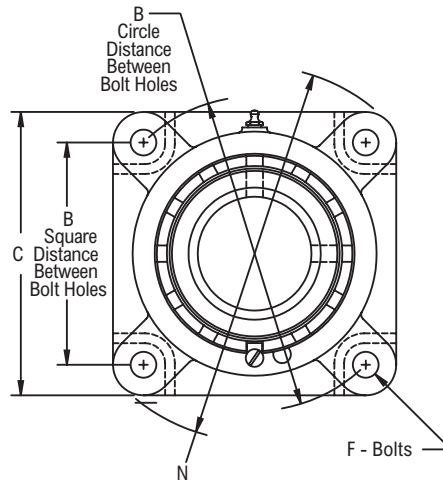
# EFB22500



Photo Shows a 4-Bolt Spherical Roller Bearing Flanged Unit

## Product Features

- Self aligning type E interchange
- Corrosion-resistant powder coating
- Cast iron housing
- Misalignment capabilities - total of 4°
- Broad range of sealing options
- Factory set clearance & lubrication
- Two hardened spring locking collars
- Field interchangeable seals
- See Features & Benefits for additional info.



## Bearing Dimensions

| Size Code | Shaft Diameter | Part Number | B Distance Between Bolt Holes |          | L Mounting Surface to Collar Face | A       | C      | D       | F Bolts | G    | H       | J       | M       | N        | Approx. Weight |
|-----------|----------------|-------------|-------------------------------|----------|-----------------------------------|---------|--------|---------|---------|------|---------|---------|---------|----------|----------------|
|           |                |             | Square                        | Circle   |                                   |         |        |         |         |      |         |         |         |          |                |
| B524      | 1 7/16         | EFB22523H   | 3 1/2                         | 4 61/64  | 3 5/8                             | 3 11/16 | 4 5/8  | 3 9/16  | 1/2     | 1/16 | 1 3/8   | 4 1/32  | 2 5/16  | 6 1/16   | 8.00           |
| B528      | 1 11/16        | EFB22527H   | 4 1/8                         | 5 53/64  | 3 15/16                           | 4 1/4   | 5 3/8  | 3 13/16 | 1/2     | 1/8  | 1 7/16  | 4 9/32  | 2 19/32 | 7 7/32   | 11.00          |
| B531      | 1 15/16        | EFB22531H   | 4 3/8                         | 6 3/16   | 3 15/16                           | 4 1/2   | 5 5/8  | 3 13/16 | 1/2     | 1/8  | 1 7/16  | 4 5/16  | 2 7/8   | 7 5/16   | 12.00          |
| B536      | 2 3/16         | EFB22535H   | 4 7/8                         | 6 57/64  | 4 1/4                             | 5       | 6 1/4  | 4 1/8   | 5/8     | 1/8  | 1 9/16  | 4 5/8   | 3 1/4   | 8 9/32   | 16.00          |
| B540      | 2 7/16         | EFB22539H   | 5 3/8                         | 7 19/32  | 4 9/16                            | 5 1/2   | 6 7/8  | 4 3/8   | 5/8     | 3/16 | 1 23/32 | 4 15/16 | 3 9/16  | 8 31/32  | 18.00          |
| B548      | 2 11/16        | EFB22543H   | 6                             | 8 31/64  | 5 1/16                            | 6 1/2   | 7 3/4  | 4 7/8   | 3/4     | 3/16 | 1 25/32 | 5 13/16 | 4 1/16  | 10 1/8   | 28.00          |
|           | 2 15/16        | EFB22547H   |                               |          |                                   |         |        |         |         |      |         |         |         |          | 26.00          |
| B556      | 3 7/16         | EFB22555H   | 7                             | 9 59/64  | 5 13/32                           | 7 3/8   | 9 1/4  | 5 5/16  | 3/4     | 1/4  | 1 31/32 | 5 3/4   | 4 29/32 | 11 21/32 | 44.00          |
| B564      | 3 15/16        | EFB22563H   | 7 3/4                         | 10 61/64 | 6 7/32                            | 8 7/8   | 10 1/4 | 6 1/8   | 7/8     | 1/4  | 2 7/32  | 6 5/8   | 5 5/8   | 12 31/32 | 60.00          |
|           | 4              | EFB22564H   |                               |          |                                   |         |        |         |         |      |         |         |         |          | 59.00          |

## Additional Notes

- Please call 1-866-REXNORD for availability
- Lubrication fitting tap size, 1/8 in PT
- H labyrinth seals standard
- All size codes available with type E lip seals & E7 triple lip seals
- For the Selection Guide, Load Ratings and Speed Limits, see the Link-Belt Spherical Roller Bearings Engineering section
- Note: Dimensions subject to change. Certified dimensions of ordered material furnished on request.

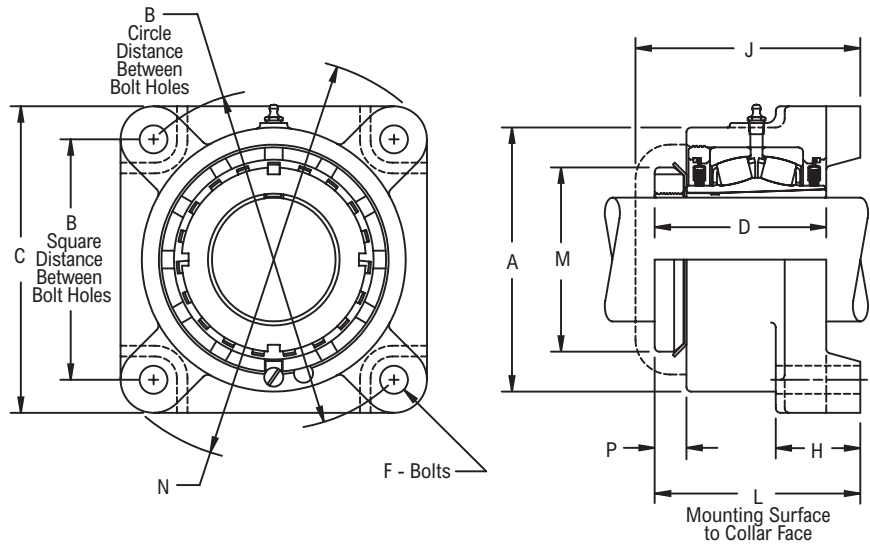
# EFB22600



Photo Shows a 4-Bolt Spherical Roller Bearing Flanged Unit

### Product Features

- Self aligning type E interchange
  - Corrosion-resistant powder coating
  - Cast iron housing
  - Misalignment capabilities - total of 4°
  - Broad range of sealing options
  - Factory set clearance & lubrication
  - Enhanced life mounting style
  - Field interchangeable seals
- See Features & Benefits for additional info.



### Bearing Dimensions

| Size Code | Shaft Diameter | Part Number | B Distance Between Bolt Holes |          | L Mounting Surface to Collar Face | A       | C      | D    | F Bolts | H       | J       | M       | N        | P     | Approx. Weight |
|-----------|----------------|-------------|-------------------------------|----------|-----------------------------------|---------|--------|------|---------|---------|---------|---------|----------|-------|----------------|
|           |                |             | Square                        | Circle   |                                   |         |        |      |         |         |         |         |          |       |                |
| B624      | 1 7/16         | EFB22623H   | 3 1/2                         | 4 61/64  | 3 29/64                           | 3 11/16 | 4 5/8  | 2.71 | 1/2     | 1 3/8   | 4 1/32  | 2 1/4   | 6 1/16   | 31/64 | 8.00           |
| B631      | 1 15/16        | EFB22631H   | 4 3/8                         | 6 3/16   | 3 57/64                           | 4 1/2   | 5 5/8  | 3.08 | 1/2     | 1 7/16  | 4 5/16  | 2 31/32 | 7 5/16   | 39/64 | 11.00          |
| B635      | 2 3/16         | EFB22635H   | 4 7/8                         | 6 57/64  | 4 3/32                            | 5       | 6 1/4  | 3.16 | 5/8     | 1 9/16  | 4 5/8   | 3 5/32  | 8 9/32   | 5/8   | 15.00          |
| B639      | 2 7/16         | EFB22639H   | 5 3/8                         | 7 19/32  | 4 11/32                           | 5 1/2   | 6 7/8  | 3.28 | 5/8     | 1 23/32 | 4 15/16 | 3 5/8   | 8 31/32  | 5/8   | 17.00          |
| B647      | 2 11/16        | EFB22643H   | 6                             | 8 31/64  | 4 59/64                           | 6 1/2   | 7 3/4  | 3.86 | 3/4     | 1 25/32 | 5 13/32 | 4 5/32  | 10 1/8   | 45/64 | 25.00          |
|           | 2 15/16        | EFB22647H   |                               |          |                                   |         |        |      |         |         |         |         |          |       | 24.00          |
| B655      | 3 7/16         | EFB22655H   | 7                             | 9 59/64  | 5 21/64                           | 7 3/8   | 9 1/4  | 4.29 | 3/4     | 1 31/32 | 5 3/4   | 4 15/16 | 11 21/32 | 55/64 | 41.00          |
| B663      | 3 15/16        | EFB22663H   | 7 3/4                         | 10 61/64 | 6 7/64                            | 8 7/8   | 10 1/4 | 4.94 | 7/8     | 2 7/32  | 6 5/8   | 5 7/16  | 12 31/32 | 59/64 | 56.00          |

### Additional Notes

- Please call 1-866-REXNORD for availability
- Lubrication fitting tap size, 1/8 in PT
- Dimensions for "D", "L" & "P" based on unmounted condition
- H labyrinth seals standard
- All size codes available with type E lip seals & E7 triple lip seals
- For the Selection Guide, Load Ratings and Speed Limits, see the Link-Belt Spherical Roller Bearings Engineering section
- Note: Dimensions subject to change. Certified dimensions of ordered material furnished on request.

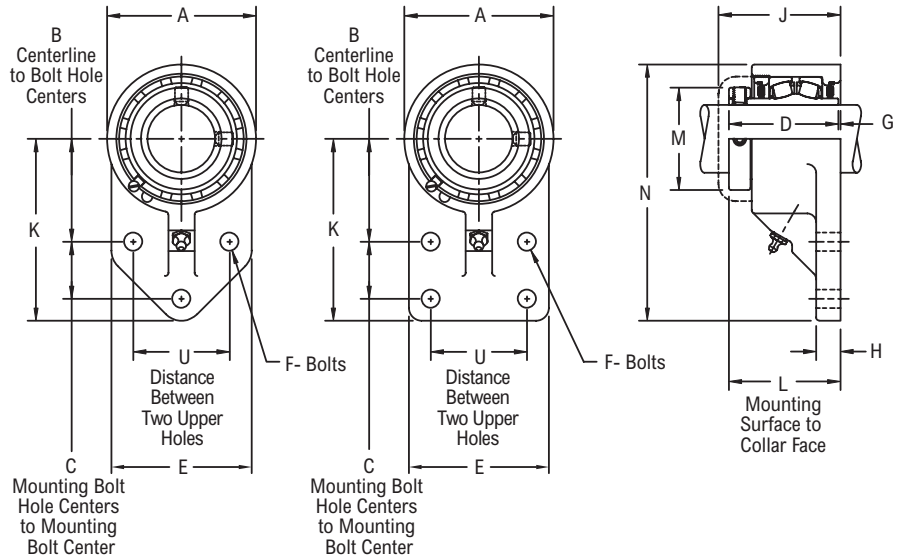
# FBB22400



Photo Shows a 4-Bolt Spherical Roller Bearing Flanged Bracket Unit with High-Test Iron Housing

## Product Features

- Corrosion-resistant powder coating
- High test iron housing
- Misalignment capabilities - total of 4°
- Broad range of sealing options
- Factory set clearance & lubrication
- Hardened spring locking collar
- Field interchangeable seals
- See Features & Benefits for additional info.



## Bearing Dimensions

| Size Code     | Shaft Diameter | Part Number | B<br>Centerline<br>to Bolt Hole<br>Centers | C<br>Mounting Bolt Hole<br>Centers to Mounting<br>Bolt Center | L<br>Mounting<br>Surface to<br>Collar Face | U<br>Distance<br>Between Two<br>Upper Holes | A      | D      | E      | F     | G    | H     | J       | K      | M      | N       | Approx.<br>Weight |       |
|---------------|----------------|-------------|--|---|--|---|--------|--------|--------|-------|------|-------|---------|--------|--------|---------|-------------------|-------|
| <b>3-Bolt</b> |                |             |  |   |  |   |        |        |        |       |      |       |         |        |        |         |                   |       |
| B424          | 1 7/16         | FBB22423H   | 2 3/8                                      | 1 1/4   | 2 29/32                                    | 2   | 3 7/16 | 2 7/8  | 3 1/4  | 1/2   | 1/32 | 5/8   | 3 5/16  | 4 1/4  | 2 5/16 | 5 31/32 | 6.40              |       |
|               | 1 1/2          | FBB22424H   |  |   |  |   |        |        |        |       |      |       |         |        |        |         | 2.90              |       |
|               | 35.00          | FBB224M35H  | 60.30                                      | 31.80   | 73.80                                      | 50.80                                       | 87.30  | 73.02  | 82.60  | 12.00 | 0.80 | 15.90 | 84.10   | 108.00 | 58.70  | 151.60  | 2.90              |       |
| B432          | 1 15/16        | FBB22431H   | 2 15/16                                    | 1 5/8   | 3 3/16                                     | 2 3/4                                       | 4 1/4  | 3 1/8  | 4      | 1/2   | 1/16 | 11/16 | 3 9/16  | 5 3/16 | 2 7/8  | 7 5/16  | 10.00             |       |
|               | 2              | FBB22432H   |  |   |  |   |        |        |        |       |      |       |         |        |        |         | 4.40              |       |
|               | 45.00          | FBB224M45H  | 74.60                                      | 41.30   | 81.00                                      | 69.80                                       | 108.00 | 79.38  | 101.60 | 12.00 | 1.60 | 17.50 | 90.50   | 131.80 | 73.00  | 185.70  | 4.30              |       |
|               | 50.00          | FBB224M50H  |  |   |  |   |        |        |        |       |      |       |         |        |        |         |                   | 4.30  |
| <b>4-Bolt</b> |                |             |  |   |  |   |        |        |        |       |      |       |         |        |        |         |                   |       |
| B440          | 2 7/16         | FBB22439H   | 3 3/4                                      | 1 3/4   | 3 19/32                                    | 3   | 5 3/8  | 3 1/2  | 4 7/8  | 5/8   | 3/32 | 3/4   | 3 31/32 | 6 1/4  | 3 9/16 | 8 15/16 | 17.50             |       |
|               | 2 1/2          | FBB22440H   |  |   |  |   |        |        |        |       |      |       |         |        |        |         | 8.10              |       |
|               | 60.00          | FBB224M60H  | 95.20                                      | 44.40   | 91.30                                      | 76.20                                       | 136.50 | 88.90  | 123.80 | 16.00 | 2.40 | 19.00 | 100.80  | 158.80 | 90.50  | 227.00  | 8.10              |       |
| B448          | 2 11/16        | FBB22443H   | 3 7/8                                      | 2 1/4   | 4 3/32                                     | 4   | 6 1/4  | 4      | 5 3/4  | 3/4   | 3/32 | 7/8   | 4 7/16  | 7      | 4 1/16 | 10 1/8  | 30.00             |       |
|               | 2 3/4          | FBB22444H   |  |   |  |   |        |        |        |       |      |       |         |        |        |         | 28.00             |       |
|               | 2 15/16        | FBB22447H   |  |   |  |   |        |        |        |       |      |       |         |        |        |         |                   |       |
|               | 3              | FBB22448H   |  |   |  |   |        |        |        |       |      |       |         |        |        |         |                   |       |
|               | 65.00          | FBB224M65H  |  |   |  |   |        |        |        |       |      |       |         |        |        |         |                   | 13.70 |
|               | 70.00          | FBB224M70H  | 98.40                                      | 57.20   | 104.00                                     | 101.60                                      | 158.80 | 101.60 | 146.00 | 20.00 | 2.40 | 22.20 | 112.70  | 177.80 | 103.20 | 257.20  |                   | 13.50 |
| 75.00         | FBB224M75H     |             |  |   |  |   |        |        |        |       |      |       |         |        |        |         | 12.80             |       |

## Additional Notes

- Please call 1-866-REXNORD for availability
- Lubrication fitting tap size: for size code B424, 1/4 in-28 UNF; for all other size codes, 1/8 in PT
- H labyrinth seals standard
- All size codes available with type E lip seals & E7 triple lip seals
- For the Selection Guide, Load Ratings and Speed Limits, see the Link-Belt Spherical Roller Bearings Engineering section
- Note: Dimensions subject to change. Certified dimensions of ordered material furnished on request.

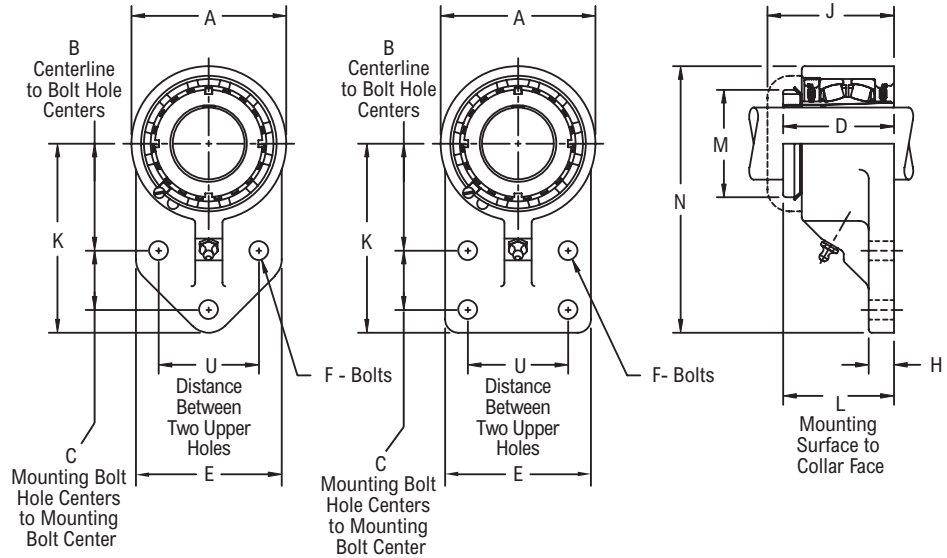
# FBB22600



Photo Shows a 4-Bolt Spherical Roller Bearing Flanged Bracket Unit with High-Test Iron Housing

### Product Features

- Corrosion-resistant powder coating
- High test iron housing
- Misalignment capabilities - total of 4°
- Broad range of sealing options
- Factory set clearance & lubrication
- Enhanced life mounting style
- Field interchangeable seals
- See Features & Benefits for additional info.



### Bearing Dimensions

| Size Code     | Shaft Diameter | Part Number | B Centerline to Bolt Hole Centers | C Mounting Bolt Hole Centers to Mounting Bolt Center | L Mounting Surface to Collar Face | U Distance Between Two Upper Holes | A      | D    | E     | F   | H     | J       | K      | M       | N       | Approx. Weight |
|---------------|----------------|-------------|-----------------------------------|--|-----------------------------------|------------------------------------|--------|------|-------|-----|-------|---------|--------|---------|---------|----------------|
| <b>3-Bolt</b> |                |             |                                   |  |                                   |                                    |        |      |       |     |       |         |        |         |         |                |
| B624          | 1 7/16         | FBB22623H   | 2 3/8                             | 1 1/4  | 2 3/4                             | 2                                  | 3 7/16 | 2.71 | 3 1/4 | 1/2 | 5/8   | 3 5/16  | 4 1/4  | 2 1/4   | 5 31/32 | 6.40           |
| B631          | 1 15/16        | FBB22631H   | 2 15/16                           | 1 5/8  | 3 9/64                            | 2 3/4                              | 4 1/4  | 3.08 | 4     | 1/2 | 11/16 | 3 9/16  | 5 3/16 | 2 31/32 | 7 5/16  | 10.00          |
| <b>4-Bolt</b> |                |             |                                   |  |                                   |                                    |        |      |       |     |       |         |        |         |         |                |
| B639          | 2 7/16         | FBB22639H   | 3 3/4                             | 1 3/4  | 3 3/8                             | 3                                  | 5 3/8  | 3.16 | 4 7/8 | 5/8 | 3/4   | 3 31/32 | 6 1/4  | 3 5/32  | 8 15/16 | 17.50          |
| B647          | 2 11/16        | FBB22643H   | 3 7/8                             | 2 1/4  | 3 61/64                           | 4                                  | 6 1/4  | 3.28 | 5 3/4 | 3/4 | 7/8   | 4 7/16  | 7      | 3 5/8   | 10 1/8  | 30.00          |
|               | 2 15/16        | FBB22647H   |                                   |  |                                   |                                    |        |      |       |     |       |         |        |         |         | 28.00          |

### Additional Notes

- Please call 1-866-REXNORD for availability
- Lubrication fitting tap size: for size code B624, 1/4 in-28 UNF; for all other size codes, 1/8 in PT
- Dimensions for "D" & "L" based on unmounted condition
- H labyrinth seals standard
- All size codes available with type E lip seals & E7 triple lip seals
- For the Selection Guide, Load Ratings and Speed Limits, see the Link-Belt Spherical Roller Bearings Engineering section

Note: Dimensions subject to change. Certified dimensions of ordered material furnished on request.



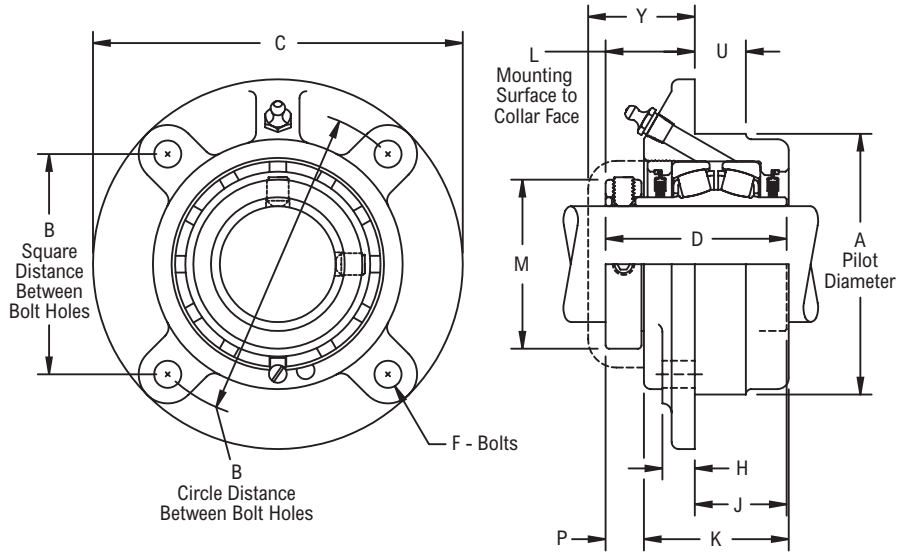
# FCB22400



Photo Shows a 4-Bolt Spherical Roller Bearing Flanged Cartridge Unit

## Product Features

- Self aligning type E interchange
- Corrosion-resistant powder coating
- Cast iron housing
- Misalignment capabilities - total of 4°
- Broad range of sealing options
- Factory set clearance & lubrication
- Hardened spring locking collar
- Field interchangeable seals
- See Features & Benefits for additional info.



## Bearing Dimensions

| Size Code     | Shaft Diameter | Part Number | A Pilot Diameter | B Distance Between Bolt Holes |        | L Mounting Surface to Collar Face | C      | D       | F Bolts | H     | J       | K      | M       | P     | U     | Y       | Approx. Weight |       |
|---------------|----------------|-------------|------------------|-------------------------------|--------|-----------------------------------|--------|---------|---------|-------|---------|--------|---------|-------|-------|---------|----------------|-------|
|               |                |             |                  | Square                        | Circle |                                   |        |         |         |       |         |        |         |       |       |         |                |       |
| <b>4-Bolt</b> |                |             |                  |                               |        |                                   |        |         |         |       |         |        |         |       |       |         |                |       |
| B416          | 1              | FCB22416H   | 3.000            | 2 9/16                        | 3 5/8  | 1 9/32                            | 4 3/8  | 2 9/16  | 5/16    | 7/16  | 1 1/4   | 2      | 1 3/4   | 17/32 | 5/8   | 1 5/8   | 4.00           |       |
|               | 25.00          | FCB224M25H  | 76.200           | 65.10                         | 92.08  | 32.50                             | 111.10 | 65.09   | 8.00    | 11.10 | 31.80   | 50.80  | 44.40   | 13.50 | 15.90 | 41.30   | 1.60           |       |
| B420          | 1 3/16         | FCB22419H   | 3.375            | 2 59/64                       | 4 1/8  | 1 9/32                            | 5      | 2 11/16 | 3/8     | 7/16  | 1 3/8   | 2 1/4  | 1 31/32 | 17/32 | 3/4   | 1 5/8   | 5.00           |       |
|               | 1 1/4          | FCB22420H   |                  |                               |        |                                   |        |         |         |       |         |        |         |       |       |         |                |       |
|               | 30.00          | FCB224M30H  | 85.720           | 74.20                         | 104.78 | 32.50                             | 127.00 | 68.26   | 10.00   | 11.10 | 34.90   | 57.20  | 50.00   | 13.50 | 19.00 | 41.30   | 2.20           |       |
| B424          | 1 7/16         | FCB22423H   | 3.625            | 3 3/32                        | 4 3/8  | 1 15/32                           | 5 1/4  | 2 7/8   | 3/8     | 1/2   | 1 3/8   | 2 3/16 | 2 5/16  | 21/32 | 3/4   | 1 7/8   | 6.00           |       |
|               | 1 1/2          | FCB22424H   |                  |                               |        |                                   |        |         |         |       |         |        |         |       |       |         |                |       |
|               | 35.00          | FCB224M35H  | 92.080           | 78.60                         | 111.12 | 37.30                             | 133.40 | 73.02   | 10.00   | 12.70 | 34.90   | 55.60  | 58.70   | 16.70 | 19.00 | 47.60   | 2.60           |       |
| B428          | 1 5/8          | FCB22426H   | 4.250            | 3 5/8                         | 5 1/8  | 1 17/32                           | 6 1/8  | 3 1/8   | 7/16    | 1/2   | 1 17/32 | 2 7/16 | 2 19/32 | 21/32 | 7/8   | 1 7/8   | 9.00           |       |
|               | 1 11/16        | FCB22427H   |                  |                               |        |                                   |        |         |         |       |         |        |         |       |       |         |                |       |
|               | 1 3/4          | FCB22428H   |                  |                               |        |                                   |        |         |         |       |         |        |         |       |       |         |                |       |
|               | 40.00          | FCB224M40H  | 107.950          | 92.10                         | 130.18 | 38.90                             | 155.60 | 79.38   | 10.00   | 12.70 | 38.90   | 61.90  | 65.90   | 16.70 | 22.20 | 47.60   | 3.80           |       |
| B432          | 1 15/16        | FCB22431H   | 4.500            | 3 51/64                       | 5 3/8  | 1 17/32                           | 6 3/8  | 3 1/8   | 7/16    | 9/16  | 1 9/16  | 2 7/16 | 2 7/8   | 21/32 | 7/8   | 1 29/32 | 9.00           |       |
|               | 2              | FCB22432H   |                  |                               |        |                                   |        |         |         |       |         |        |         |       |       |         |                |       |
|               | 45.00          | FCB224M45H  |                  |                               |        |                                   |        |         |         |       |         |        |         |       |       |         |                |       |
|               | 50.00          | FCB224M50H  | 114.300          | 96.40                         | 136.52 | 38.90                             | 161.90 | 79.38   | 10.00   | 14.30 | 39.70   | 61.90  | 73.00   | 16.70 | 22.20 | 48.40   | 4.00           |       |
|               |                |             |                  |                               |        |                                   |        |         |         |       |         |        |         |       |       |         | 4.30           |       |
| B436          | 2 3/16         | FCB22435H   | 5.000            | 4 1/4                         | 6      | 1 21/32                           | 7 1/8  | 3 5/16  | 1/2     | 9/16  | 1 9/16  | 2 1/2  | 3 1/4   | 25/32 | 1     | 2 1/32  | 12.00          |       |
|               | 2 1/4          | FCB22436H   |                  |                               |        |                                   |        |         |         |       |         |        |         |       |       |         |                |       |
|               | 55.00          | FCB224M55H  | 127.000          | 107.90                        | 152.40 | 42.10                             | 181.00 | 84.14   | 12.00   | 14.30 | 39.70   | 63.50  | 82.60   | 19.80 | 25.40 | 51.60   | 5.60           |       |
| B440          | 2 7/16         | FCB22439H   | 5.500            | 4 19/32                       | 6 1/2  | 1 13/16                           | 7 5/8  | 3 1/2   | 1/2     | 5/8   | 1 11/16 | 2 5/8  | 3 9/16  | 7/8   | 1     | 2 5/32  | 16.00          |       |
|               | 2 1/2          | FCB22440H   |                  |                               |        |                                   |        |         |         |       |         |        |         |       |       |         |                |       |
|               | 60.00          | FCB224M60H  | 139.700          | 116.70                        | 165.10 | 46.00                             | 193.70 | 88.90   | 12.00   | 15.90 | 42.90   | 66.70  | 90.50   | 22.20 | 25.40 | 54.80   | 7.20           |       |
| B448          | 2 11/16        | FCB22443H   | 6.375            | 5 19/64                       | 7 1/2  | 1 31/32                           | 8 3/4  | 4       | 5/8     | 3/4   | 2       | 3 1/8  | 4 1/16  | 27/32 | 1 1/4 | 2 5/16  | 25.00          |       |
|               | 2 3/4          | FCB22444H   |                  |                               |        |                                   |        |         |         |       |         |        |         |       |       |         |                |       |
|               | 2 15/16        | FCB22447H   |                  |                               |        |                                   |        |         |         |       |         |        |         |       |       |         |                |       |
|               | 3              | FCB22448H   |                  |                               |        |                                   |        |         |         |       |         |        |         |       |       |         |                |       |
|               | 65.00          | FCB224M65H  |                  |                               |        |                                   |        |         |         |       |         |        |         |       |       |         |                |       |
| 70.00         | FCB224M70H     | 161.920     | 134.50           | 190.50                        | 50.00  | 222.20                            | 101.60 | 16.00   | 19.00   | 50.80 | 79.40   | 103.20 | 21.40   | 31.80 | 58.70 | 11.60   |                |       |
|               | 75.00          | FCB224M75H  |                  |                               |        |                                   |        |         |         |       |         |        |         |       |       |         | 11.40          |       |
|               |                |             |                  |                               |        |                                   |        |         |         |       |         |        |         |       |       |         |                | 11.00 |
| B456          | 3 3/16         | FCB22451H   | 7.375            | 6 3/32                        | 8 5/8  | 2 7/16                            | 10 1/4 | 4 3/8   | 3/4     | 15/16 | 2       | 3 7/16 | 4 29/32 | 15/16 | 1 1/4 | 2 25/32 | 38.00          |       |
|               | 3 7/16         | FCB22455H   |                  |                               |        |                                   |        |         |         |       |         |        |         |       |       |         |                |       |
|               | 3 1/2          | FCB22456H   |                  |                               |        |                                   |        |         |         |       |         |        |         |       |       |         |                |       |
|               | 80.00          | FCB224M80H  |                  |                               |        |                                   |        |         |         |       |         |        |         |       |       |         |                |       |
|               | 85.00          | FCB224M85H  | 187.320          | 154.80                        | 219.08 | 61.90                             | 260.40 | 111.12  | 20.00   | 23.80 | 50.80   | 87.30  | 124.60  | 23.80 | 31.80 | 70.60   | 17.40          |       |
|               |                |             |                  |                               |        |                                   |        |         |         |       |         |        |         |       |       |         | 16.90          |       |

Continued...

Continued...

**Bearing Dimensions**

| Size Code                 | Shaft Diameter                  | Part Number       | A<br>Pilot Diameter | B<br>Distance Between Bolt Holes |                               | L<br>Mounting Surface to Collar Face | C                              | D                              | F<br>Bolts | H     | J     | K      | M                             | P                              | U     | Y                              | Approx. Weight |
|---------------------------|---------------------------------|-------------------|---------------------|----------------------------------|-------------------------------|--------------------------------------|--------------------------------|--------------------------------|------------|-------|-------|--------|-------------------------------|--------------------------------|-------|--------------------------------|----------------|
|                           |                                 |                   |                     | Square                           | Circle                        |                                      |                                |                                |            |       |       |        |                               |                                |       |                                |                |
| <b>4-Bolt (continued)</b> |                                 |                   |                     |                                  |                               |                                      |                                |                                |            |       |       |        |                               |                                |       |                                |                |
| B464                      | 3 <sup>11</sup> / <sub>16</sub> | FCB22459H         | 8.125               | 6 <sup>5</sup> / <sub>8</sub>    | 9 <sup>3</sup> / <sub>8</sub> | 2 <sup>21</sup> / <sub>32</sub>      | 10 <sup>7</sup> / <sub>8</sub> | 5 <sup>3</sup> / <sub>16</sub> | ¾          | 1 ½   | 2 ½   | 4 ⅛    | 5 <sup>5</sup> / <sub>8</sub> | 1 <sup>1</sup> / <sub>32</sub> | 1 ½   | 3 <sup>1</sup> / <sub>16</sub> | 52.00          |
|                           | 3 <sup>15</sup> / <sub>16</sub> | FCB22463H         |                     |                                  |                               |                                      |                                |                                |            |       |       |        |                               |                                |       |                                | 50.00          |
|                           | 4                               | FCB22464H         |                     |                                  |                               |                                      |                                |                                |            |       |       |        |                               |                                |       |                                |                |
|                           | 90.00                           | <i>FCB224M90H</i> | 206.380             | 168.30                           | 238.12                        | 67.50                                | 276.20                         | 131.76                         | 20.00      | 28.60 | 63.50 | 104.80 | 142.90                        | 26.20                          | 38.10 | 77.80                          | 24.60          |
| 100.00                    | <i>FCB224M100H</i>              |                   |                     |                                  |                               |                                      |                                |                                |            |       |       |        |                               |                                |       |                                | 22.80          |

**Additional Notes**

Please call 1-866-REXNORD for availability  
 Lubrication fitting tap size: for size code B416, 1/4 in-28 UNF; for all other size codes, 1/8 in PT  
 Pilot Diameter tolerance, +.000 in/-.002 in (+0.00 mm/-0.05 mm)  
 Bore tolerance for mounting, +.002 in/-.000 in (+0.05 mm/-0.00 mm)  
 H labyrinth seals standard  
 All size codes available with type E lip seals, except E7 in size code B416

For the Selection Guide, Load Ratings and Speed Limits, see the Link-Belt Spherical Roller Bearings Engineering section  
 Note: Dimensions subject to change. Certified dimensions of ordered material furnished on request.

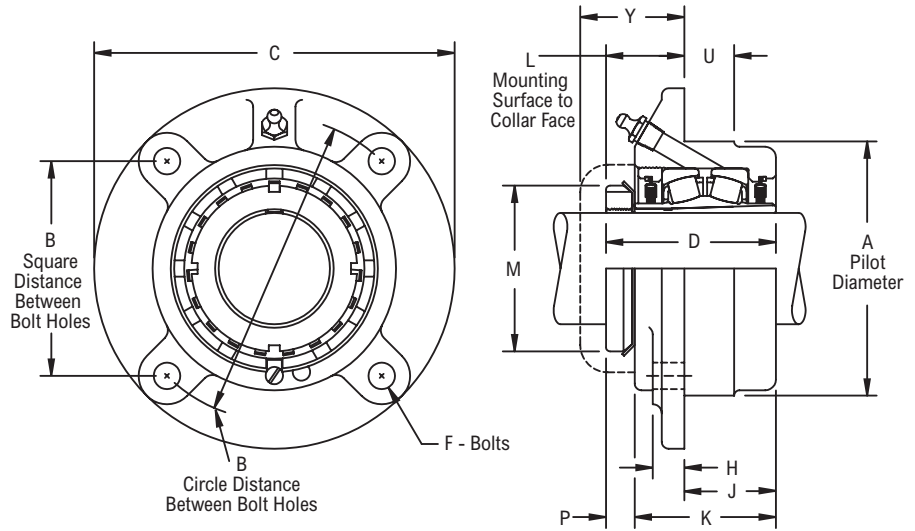
# FCB22600



Photo Shows a 4-Bolt Spherical Roller Bearing Flanged Cartridge Unit

## Product Features

- Self aligning type E interchange
- Corrosion-resistant powder coating
- Cast iron housing
- Misalignment capabilities - total of 4°
- Broad range of sealing options
- Factory set clearance & lubrication
- Enhanced life mounting style
- Field interchangeable seals
- See Features & Benefits for additional info.



## Bearing Dimensions

| Size Code     | Shaft Diameter | Part Number | A Pilot Diameter | B Distance Between Bolt Holes |        | L Mounting Surface to Collar Face | C      | D    | F Bolts | H     | J       | K      | M       | P     | U     | Y       | Approx. Weight |
|---------------|----------------|-------------|------------------|-------------------------------|--------|-----------------------------------|--------|------|---------|-------|---------|--------|---------|-------|-------|---------|----------------|
|               |                |             |                  | Square                        | Circle |                                   |        |      |         |       |         |        |         |       |       |         |                |
| <b>4-Bolt</b> |                |             |                  |                               |        |                                   |        |      |         |       |         |        |         |       |       |         |                |
| B624          | 1 7/16         | FCB22623H   | 3.625            | 3 3/32                        | 4 3/8  | 1 17/64                           | 5 1/4  | 2.71 | 3/8     | 1/2   | 1 3/8   | 2 3/16 | 2 1/4   | 29/64 | 3/4   | 1 7/8   | 6.00           |
| B631          | 1 15/16        | FCB22631H   | 4.500            | 3 51/64                       | 5 3/8  | 1 31/64                           | 6 3/8  | 3.08 | 7/16    | 9/16  | 1 9/16  | 2 7/16 | 2 31/32 | 39/64 | 7/8   | 1 29/32 | 9.00           |
| B635          | 2 3/16         | FCB22635H   | 5.000            | 4 1/4                         | 6      | 1 1/2                             | 7 1/8  | 3.16 | 1/2     | 9/16  | 1 9/16  | 2 1/2  | 3 5/32  | 5/8   | 1     | 2 1/32  | 12.00          |
| B639          | 2 7/16         | FCB22639H   | 5.500            | 4 19/32                       | 6 1/2  | 1 19/32                           | 7 5/8  | 3.28 | 1/2     | 5/8   | 1 11/16 | 2 5/8  | 3 5/8   | 41/64 | 1     | 2 5/32  | 16.00          |
| B647          | 2 11/16        | FCB22643H   | 6.375            | 5 19/64                       | 7 1/2  | 1 53/64                           | 8 3/4  | 3.86 | 5/8     | 3/4   | 2       | 3 1/8  | 4 5/32  | 45/64 | 1 1/4 | 2 5/16  | 25.00          |
|               | 2 15/16        | FCB22647H   |                  |                               |        |                                   |        |      |         |       |         |        |         |       |       |         | 24.00          |
| B655          | 3 7/16         | FCB22655H   | 7.375            | 6 3/32                        | 8 5/8  | 2 25/64                           | 10 1/4 | 4.29 | 3/4     | 15/16 | 2       | 3 7/16 | 4 15/16 | 57/64 | 1 1/4 | 2 25/32 | 37.00          |
| B663          | 3 15/16        | FCB22663H   | 8.125            | 6 5/8                         | 9 3/8  | 2 17/32                           | 10 7/8 | 4.94 | 3/4     | 1 1/8 | 2 1/2   | 4 1/8  | 5 7/16  | 59/64 | 2     | 3 1/16  | 50.00          |

## Additional Notes

- Please call 1-866-REXNORD for availability
- Lubrication fitting tap size, 1/8 in PT
- Dimensions for "D", "L" & "P" based on unmounted condition
- Pilot Diameter tolerance, +.000 in/-0.002 in (**+0.00 mm/-0.05 mm**)
- Bore tolerance for mounting, +.002 in/-0.000 in (**+0.05 mm/-0.00 mm**)
- H labyrinth seals standard
- All size codes available with type E lip seals & E7 triple lip seals

For the Selection Guide, Load Ratings and Speed Limits, see the Link-Belt Spherical Roller Bearings Engineering section  
 Note: Dimensions subject to change. Certified dimensions of ordered material furnished on request.



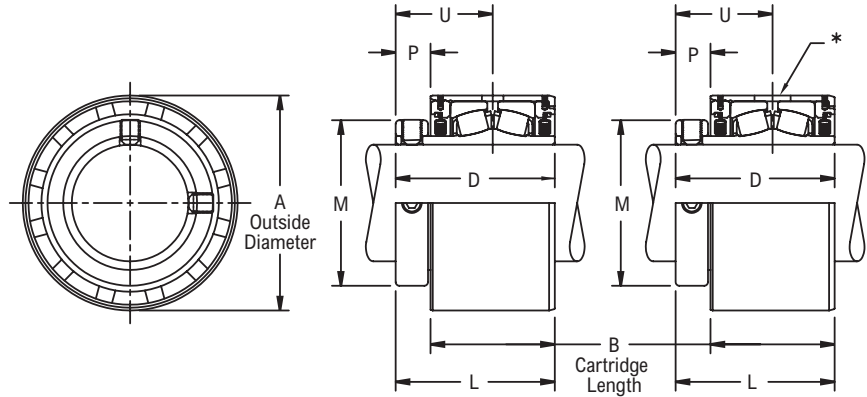
# CSEB22400



Photo Shows a Spherical Roller Bearing Cartridge Unit with Steel Housing

## Product Features

- Steel housing
- Misalignment capabilities - total of 4°
- Broad range of sealing options
- Factory set clearance & lubrication
- Hardened spring locking collar
- Field interchangeable seals
- See Features & Benefits for additional info.



## Bearing Dimensions

| Size Code                       | Shaft Diameter                  | Part Number        | A Outside Diameter | B Cartridge Length              | D                               | L                               | M                               | P                              | U                               | Approx. Weight |
|---------------------------------|---------------------------------|--------------------|--------------------|---------------------------------|---------------------------------|---------------------------------|---------------------------------|--------------------------------|---------------------------------|----------------|
| B416                            | 1                               | CSEB22416H         | 2.6650             | 2                               | 2 <sup>9</sup> / <sub>16</sub>  | 2 <sup>9</sup> / <sub>16</sub>  | 1 <sup>3</sup> / <sub>4</sub>   | 9 <sup>9</sup> / <sub>16</sub> | 1 <sup>9</sup> / <sub>16</sub>  | 3.00           |
|                                 | 25.00                           | <b>CSEB224M25H</b> | <b>67.6900</b>     | <b>50.800</b>                   | <b>65.09</b>                    | <b>65.10</b>                    | <b>44.40</b>                    | <b>14.30</b>                   | <b>39.70</b>                    | <b>1.30</b>    |
| B420                            | 1 <sup>3</sup> / <sub>16</sub>  | CSEB22419H         | 2.9150             | 2 <sup>1</sup> / <sub>8</sub>   | 2 <sup>11</sup> / <sub>16</sub> | 2 <sup>11</sup> / <sub>16</sub> | 1 <sup>31</sup> / <sub>32</sub> | 9 <sup>9</sup> / <sub>16</sub> | 1 <sup>5</sup> / <sub>8</sub>   | 4.00           |
|                                 | 1 <sup>1</sup> / <sub>4</sub>   | CSEB22420H         |                    |                                 |                                 |                                 |                                 |                                |                                 |                |
| B424                            | 30.00                           | <b>CSEB224M30H</b> | <b>74.0400</b>     | <b>53.980</b>                   | <b>68.26</b>                    | <b>68.30</b>                    | <b>50.00</b>                    | <b>14.30</b>                   | <b>41.30</b>                    | <b>1.70</b>    |
|                                 | 1 <sup>7</sup> / <sub>16</sub>  | CSEB22423H         | 3.1240             | 2 <sup>3</sup> / <sub>16</sub>  | 2 <sup>7</sup> / <sub>8</sub>   | 2 <sup>7</sup> / <sub>8</sub>   | 2 <sup>5</sup> / <sub>16</sub>  | 1 <sup>1</sup> / <sub>16</sub> | 1 <sup>25</sup> / <sub>32</sub> | 4.00           |
| 1 <sup>1</sup> / <sub>2</sub>   | CSEB22424H                      |                    |                    |                                 |                                 |                                 |                                 |                                |                                 |                |
| B428                            | 35.00                           | <b>CSEB224M35H</b> | <b>79.3500</b>     | <b>55.560</b>                   | <b>73.02</b>                    | <b>73.00</b>                    | <b>58.70</b>                    | <b>17.50</b>                   | <b>45.20</b>                    | <b>1.80</b>    |
|                                 | 1 <sup>5</sup> / <sub>8</sub>   | CSEB22426H         | 3.6360             | 2 <sup>7</sup> / <sub>16</sub>  | 3 <sup>1</sup> / <sub>8</sub>   | 3 <sup>1</sup> / <sub>8</sub>   | 2 <sup>19</sup> / <sub>32</sub> | 1 <sup>1</sup> / <sub>16</sub> | 1 <sup>29</sup> / <sub>32</sub> | 6.00           |
| 1 <sup>11</sup> / <sub>16</sub> | CSEB22427H                      |                    |                    |                                 |                                 |                                 |                                 |                                |                                 |                |
| B432                            | 40.00                           | <b>CSEB224M40H</b> | <b>92.3500</b>     | <b>61.910</b>                   | <b>79.38</b>                    | <b>79.40</b>                    | <b>65.90</b>                    | <b>17.50</b>                   | <b>48.40</b>                    | <b>2.50</b>    |
|                                 | 1 <sup>15</sup> / <sub>16</sub> | CSEB22431H         | 3.8330             | 2 <sup>25</sup> / <sub>64</sub> | 3 <sup>1</sup> / <sub>8</sub>   | 3 <sup>1</sup> / <sub>8</sub>   | 2 <sup>7</sup> / <sub>8</sub>   | 2 <sup>3</sup> / <sub>32</sub> | 1 <sup>29</sup> / <sub>32</sub> | 6.00           |
| 2                               | CSEB22432H                      |                    |                    |                                 |                                 |                                 |                                 |                                |                                 |                |
| B436                            | 45.00                           | <b>CSEB224M45H</b> | <b>97.3600</b>     | <b>60.720</b>                   | <b>79.38</b>                    | <b>79.40</b>                    | <b>73.00</b>                    | <b>18.30</b>                   | <b>48.40</b>                    | <b>2.60</b>    |
|                                 | 50.00                           | <b>CSEB224M50H</b> | <b>97.3600</b>     | <b>60.720</b>                   | <b>79.38</b>                    | <b>79.40</b>                    | <b>73.00</b>                    | <b>18.30</b>                   | <b>48.40</b>                    | <b>2.30</b>    |
| B440                            | 2 <sup>3</sup> / <sub>16</sub>  | CSEB22435H         | 4.2270             | 2 <sup>1</sup> / <sub>2</sub>   | 3 <sup>5</sup> / <sub>16</sub>  | 3 <sup>5</sup> / <sub>16</sub>  | 3 <sup>1</sup> / <sub>4</sub>   | 1 <sup>3</sup> / <sub>16</sub> | 2 <sup>1</sup> / <sub>16</sub>  | 7.00           |
|                                 | 2 <sup>1</sup> / <sub>4</sub>   | CSEB22436H         |                    |                                 |                                 |                                 |                                 |                                |                                 |                |
| B448                            | 55.00                           | <b>CSEB224M55H</b> | <b>107.3600</b>    | <b>63.500</b>                   | <b>84.14</b>                    | <b>84.10</b>                    | <b>82.60</b>                    | <b>20.60</b>                   | <b>52.40</b>                    | <b>3.20</b>    |
|                                 | 2 <sup>1</sup> / <sub>4</sub>   | CSEB224B36H        | 4.6210             | 2 <sup>5</sup> / <sub>8</sub>   | 3 <sup>1</sup> / <sub>2</sub>   | 3 <sup>1</sup> / <sub>2</sub>   | 3 <sup>9</sup> / <sub>16</sub>  | 7 <sup>7</sup> / <sub>8</sub>  | 2 <sup>3</sup> / <sub>16</sub>  | 8.00           |
| 2 <sup>7</sup> / <sub>16</sub>  | CSEB22439H                      |                    |                    |                                 |                                 |                                 |                                 |                                |                                 |                |
| B456                            | 2 <sup>1</sup> / <sub>2</sub>   | CSEB22440H         | 5.4070             | 3 <sup>1</sup> / <sub>8</sub>   | 4                               | 4                               | 4 <sup>1</sup> / <sub>16</sub>  | 7 <sup>7</sup> / <sub>8</sub>  | 2 <sup>7</sup> / <sub>16</sub>  | 13.00          |
|                                 | 60.00                           | <b>CSEB224M60H</b> |                    |                                 |                                 |                                 |                                 |                                |                                 |                |
| B448                            | 2 <sup>11</sup> / <sub>16</sub> | CSEB22443H         | 5.4070             | 3 <sup>1</sup> / <sub>8</sub>   | 4                               | 4                               | 4 <sup>1</sup> / <sub>16</sub>  | 7 <sup>7</sup> / <sub>8</sub>  | 2 <sup>7</sup> / <sub>16</sub>  | 14.00          |
|                                 | 2 <sup>3</sup> / <sub>4</sub>   | CSEB22444H         |                    |                                 |                                 |                                 |                                 |                                |                                 |                |
| B456                            | 2 <sup>15</sup> / <sub>16</sub> | CSEB22447H         | 6.1940             | 3 <sup>7</sup> / <sub>16</sub>  | 4 <sup>3</sup> / <sub>8</sub>   | 4 <sup>3</sup> / <sub>8</sub>   | 4 <sup>29</sup> / <sub>32</sub> | 1 <sup>5</sup> / <sub>16</sub> | 2 <sup>21</sup> / <sub>32</sub> | 20.00          |
|                                 | 3                               | CSEB22448H         |                    |                                 |                                 |                                 |                                 |                                |                                 |                |
| B456                            | 65.00                           | <b>CSEB224M65H</b> | <b>137.2616</b>    | <b>79.380</b>                   | <b>101.60</b>                   | <b>101.60</b>                   | <b>103.20</b>                   | <b>22.20</b>                   | <b>61.90</b>                    | <b>6.60</b>    |
|                                 | 70.00                           | <b>CSEB224M70H</b> | <b>137.2616</b>    | <b>79.380</b>                   | <b>101.60</b>                   | <b>101.60</b>                   | <b>103.20</b>                   | <b>22.20</b>                   | <b>61.90</b>                    | <b>6.40</b>    |
| B456                            | 75.00                           | <b>CSEB224M75H</b> | <b>157.3300</b>    | <b>87.310</b>                   | <b>111.12</b>                   | <b>111.10</b>                   | <b>124.60</b>                   | <b>23.80</b>                   | <b>67.50</b>                    | <b>5.90</b>    |
|                                 | 3 <sup>3</sup> / <sub>16</sub>  | CSEB22451H         | 6.1940             | 3 <sup>7</sup> / <sub>16</sub>  | 4 <sup>3</sup> / <sub>8</sub>   | 4 <sup>3</sup> / <sub>8</sub>   | 4 <sup>29</sup> / <sub>32</sub> | 1 <sup>5</sup> / <sub>16</sub> | 2 <sup>21</sup> / <sub>32</sub> | 18.00          |
| 3 <sup>7</sup> / <sub>16</sub>  | CSEB22455H                      |                    |                    |                                 |                                 |                                 |                                 |                                |                                 |                |
| B456                            | 3 <sup>1</sup> / <sub>2</sub>   | CSEB22456H         | <b>157.3300</b>    | <b>87.310</b>                   | <b>111.12</b>                   | <b>111.10</b>                   | <b>124.60</b>                   | <b>23.80</b>                   | <b>67.50</b>                    | <b>9.00</b>    |
|                                 | 80.00                           | <b>CSEB224M80H</b> | <b>157.3300</b>    | <b>87.310</b>                   | <b>111.12</b>                   | <b>111.10</b>                   | <b>124.60</b>                   | <b>23.80</b>                   | <b>67.50</b>                    | <b>9.00</b>    |

Continued...

Continued...

**Bearing Dimensions**

| Size Code | Shaft Diameter | Part Number  | A Outside Diameter | B Cartridge Length | D      | L      | M      | P      | U      | Approx. Weight |
|-----------|----------------|--------------|--------------------|--------------------|--------|--------|--------|--------|--------|----------------|
| B456      | 85.00          | CSEB224M85H  | 157.3300           | 87.310             | 111.12 | 111.10 | 124.60 | 23.80  | 67.50  | 8.60           |
| B464      | 3 11/16        | CSEB22459H   | 7.3750             | 4                  | 5 1/16 | 5 1/16 | 5 5/8  | 1 1/16 | 3 1/16 | 33.00          |
|           | 3 15/16        | CSEB22463H   |                    |                    |        |        |        |        |        | 31.00          |
|           | 4              | CSEB22464H   |                    |                    |        |        |        |        |        |                |
|           | 90.00          | CSEB224M90H  | 187.3200           | 101.600            | 128.59 | 128.60 | 142.90 | 27.00  | 77.80  | 15.90          |
|           | 100.00         | CSEB224M100H |                    |                    |        |        |        |        |        | 14.10          |

**Additional Notes**

Please call 1-866-REXNORD for availability  
 O.D. tolerance, +.000 in/-.002 in (*+0.00 mm/-0.05 mm*)  
 Bore tolerance for mounting, +.002 in/-.000 in (*+0.05 mm/-0.00 mm*)  
 Expansion - is 3/8 in for all size codes  
 \*Expansion plug diameter .531 in (*13.49 mm*), engagement depth .125 in +/- .015 in (*3.18 mm +/- 0.38 mm*)  
 Hole for fixed location & slot for expansion location in the same housing  
 H labyrinth seals standard

All size codes available with type E lip seals, except E7 in size code B416  
 For the Selection Guide, Load Ratings and Speed Limits, see the Link-Belt Spherical Roller Bearings Engineering section  
 Note: Dimensions subject to change. Certified dimensions of ordered material furnished on request.

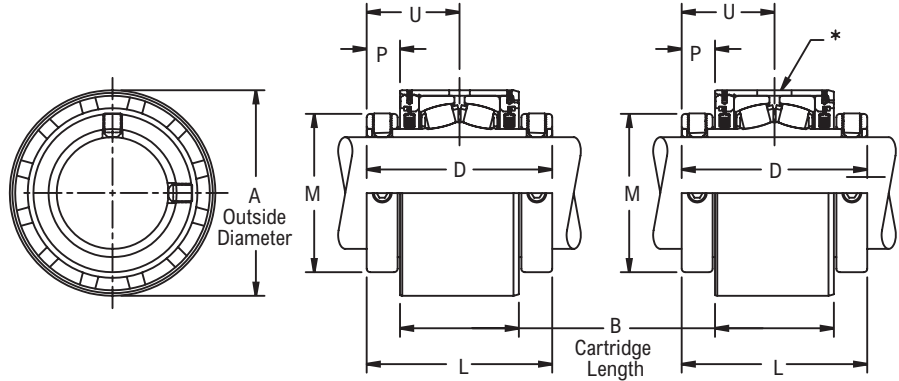
# CSEB22500



Photo Shows a Spherical Roller Bearing Cartridge Unit with Steel Housing

## Product Features

- Steel housing
- Misalignment capabilities - total of 4°
- Broad range of sealing options
- Factory set clearance & lubrication
- Two hardened spring locking collars
- Field interchangeable seals
- See Features & Benefits for additional info.



## Bearing Dimensions

| Size Code | Shaft Diameter | Part Number   | A Outside Diameter | B Cartridge Length | D       | L       | M       | P      | U       | Approx. Weight |
|-----------|----------------|---------------|--------------------|--------------------|---------|---------|---------|--------|---------|----------------|
| B524      | 1 7/16         | CSEB22523H    | 3.1240             | 2 3/16             | 3 9/16  | 3 9/16  | 2 5/16  | 11/16  | 1 25/32 | 4.20           |
| B528      | 1 11/16        | CSEB22527H    | 3.6360             | 2 7/16             | 3 13/16 | 3 13/16 | 2 19/32 | 11/16  | 1 29/32 | 5.60           |
| B531      | 1 15/16        | CSEB22531H    | 3.8330             | 2 25/64            | 3 13/16 | 3 13/16 | 2 7/8   | 11/16  | 1 29/32 | 6.10           |
| B536      | 2              | CSEB22532H    | 4.2270             | 2 1/2              | 4 1/8   | 4 1/8   | 3 1/4   | 13/16  | 2 1/16  | 9.00           |
|           | 2 3/16         | CSEB22535H    |                    |                    |         |         |         |        |         |                |
| B540      | 2 7/16         | CSEB22539H    | 4.6210             | 2 5/8              | 4 3/8   | 4 3/8   | 3 9/16  | 7/8    | 2 3/16  | 10.10          |
| B548      | 2 11/16        | CSEB22543H    | 5.4070             | 3 1/8              | 4 7/8   | 4 7/8   | 4 1/16  | 7/8    | 2 7/16  | 16.40          |
|           | 2 15/16        | CSEB22547H    |                    |                    |         |         |         |        |         | 15.30          |
| B556      | 3 7/16         | CSEB22555H    | 6.1940             | 3 7/16             | 5 5/16  | 5 5/16  | 4 29/32 | 15/16  | 2 21/32 | 21.10          |
| B564      | 3 15/16        | CSEB22563H    | 7.3750             | 4                  | 6 1/8   | 6 1/8   | 5 5/8   | 1 1/16 | 3 1/16  | 36.10          |
|           | 4              | CSEB22564H    |                    |                    |         |         |         |        |         | 35.60          |
| B572      | 4 3/16         | CSEB22567YH   | 7.9670             | 4 1/4              | 6 1/4   | 6 1/4   | 6 3/16  | 1      | 3 1/8   | 52.80          |
|           | 4 7/16         | CSEB22571YH   |                    |                    |         |         |         |        |         | 50.60          |
|           | 4 1/2          | CSEB22572YH   |                    |                    |         |         |         |        |         | 49.90          |
|           | 110.00         | CSEB225M110YH |                    |                    |         |         |         |        |         | 22.80          |
|           | 115.00         | CSEB225M115YH |                    |                    |         |         |         |        |         | 22.50          |
| B580      | 4 15/16        | CSEB22579YH   | 9.3427             | 5 9/16             | 7 7/8   | 7 7/8   | 7 1/16  | 1 5/32 | 3 15/16 | 55.30          |
|           | 5              | CSEB22580YH   |                    |                    |         |         |         |        |         | 54.70          |
|           | 125.00         | CSEB225M125YH |                    |                    |         |         |         |        |         | 24.60          |

## Additional Notes

- Please call 1-866-REXNORD for availability
- O.D. tolerance, for size codes B564 and smaller +.000 in/-.002 in (+0.00 mm/-0.05 mm); for all other size codes +.000 in/-.003 in (+0.00 mm/-0.08 mm)
- Bore tolerance for mounting, +.002 in/-.000 in (+0.05 mm/-0.00 mm)
- Expansion - is 3/8 in for all size codes
- \*Expansion plug diameter .531 in (13.49 mm), engagement depth .125 in +/- .015 in (3.18 mm +/- 0.38 mm)
- Hole for fixed location & slot for expansion location in the same housing

- H labyrinth seals standard
- All size codes available with type E lip seals & E7 triple lip seals
- For the Selection Guide, Load Ratings and Speed Limits, see the Link-Belt Spherical Roller Bearings Engineering section
- Note: Dimensions subject to change. Certified dimensions of ordered material furnished on request.

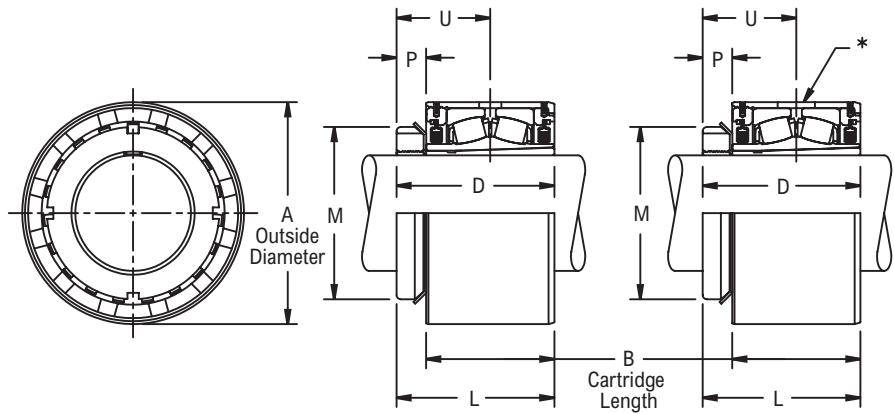
## CSEB22600



Photo Shows a Spherical Roller Bearing Cartridge Unit with Steel Housing

### Product Features

- Steel housing
- Misalignment capabilities - total of 4°
- Broad range of sealing options
- Factory set clearance & lubrication
- Enhanced life mounting style
- Field interchangeable seals
- See Features & Benefits for additional info.



### Bearing Dimensions

| Size Code | Shaft Diameter | Part Number | A Outside Diameter | B Cartridge Length | D    | L       | M       | P     | U       | Approx. Weight |
|-----------|----------------|-------------|--------------------|--------------------|------|---------|---------|-------|---------|----------------|
| B624      | 1 7/16         | CSEB22623H  | 3.1240             | 2 3/16             | 2.71 | 2 3/4   | 2 1/4   | 1/2   | 1 39/64 | 4.00           |
| B631      | 1 15/16        | CSEB22631H  | 3.8330             | 2 26/64            | 3.08 | 3 1/16  | 2 31/32 | 39/64 | 1 55/64 | 5.00           |
| B635      | 2 3/16         | CSEB22635H  | 4.2270             | 2 1/2              | 3.16 | 3 5/32  | 3 5/32  | 5/8   | 1 29/32 | 7.00           |
| B639      | 2 7/16         | CSEB22639H  | 4.6210             | 2 5/8              | 3.28 | 3 19/64 | 3 5/8   | 45/64 | 1 31/32 | 8.00           |
| B647      | 2 11/16        | CSEB22643H  | 5.4070             | 3 1/8              | 3.86 | 3 7/8   | 4 5/32  | 55/64 | 2 19/64 | 14.00          |
|           | 2 15/16        | CSEB22647H  |                    |                    |      |         |         |       |         | 13.00          |
| B655      | 3 7/16         | CSEB22655H  | 6.1940             | 3 7/16             | 4.29 | 4 5/16  | 4 15/16 | 7/8   | 2 37/64 | 18.00          |
| B663      | 3 15/16        | CSEB22663H  | 7.3750             | 4                  | 4.94 | 4 15/16 | 5 7/16  | 15/16 | 2 15/16 | 31.00          |

### Additional Notes

- Please call 1-866-REXNORD for availability
- O.D. tolerance, +.000 in/-.002 in (**+0.00 mm/-0.05 mm**)
- Bore tolerance for mounting, +.002 in/-.000 in (**+0.05 mm/-0.00 mm**)
- Expansion - is 3/8 in for all size codes
- \*Expansion plug diameter .531 in (**13.49 mm**), engagement depth .125 in +/- .015 in (**3.18 mm +/- 0.38 mm**)
- Hole for fixed location & slot for expansion location in the same housing
- Dimensions for "D", "P" & "U" based on unmounted condition

- H labyrinth seals standard
- All size codes available with type E lip seals & E7 triple lip seals
- For the Selection Guide, Load Ratings and Speed Limits, see the Link-Belt Spherical Roller Bearings Engineering section
- Note: Dimensions subject to change. Certified dimensions of ordered material furnished on request.



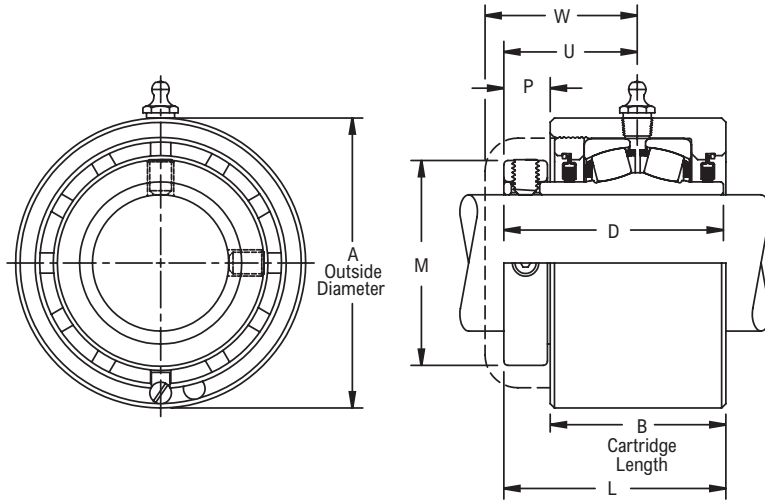
# CB22400



Photo Shows a Spherical Roller Bearing Cartridge Unit with Cast Iron Housing

## Product Features

- Corrosion resistant powder coating
- Cast iron housing
- Misalignment capabilities - total of 4°
- Broad range of sealing options
- Factory set clearance & lubrication
- Hardened spring locking collar
- Field interchangeable seals
- See Features & Benefits for additional info.



## Bearing Dimensions

| Size Code                       | Shaft Diameter                  | Part Number | A Outside Diameter | B Cartridge Length             | D                               | L                               | M                               | P                             | U                               | W                               | Approx. Weight |        |        |        |       |       |       |
|---------------------------------|---------------------------------|-------------|--------------------|--------------------------------|---------------------------------|---------------------------------|---------------------------------|-------------------------------|---------------------------------|---------------------------------|----------------|--------|--------|--------|-------|-------|-------|
| B416                            | 1                               | CB22416H    | 3.0000             | 2                              | 2 <sup>9</sup> / <sub>16</sub>  | 2 <sup>19</sup> / <sub>32</sub> | 1 <sup>3</sup> / <sub>4</sub>   | <sup>17</sup> / <sub>32</sub> | 1 <sup>9</sup> / <sub>16</sub>  | 1 <sup>29</sup> / <sub>32</sub> | 3.00           |        |        |        |       |       |       |
|                                 | 25.00                           | CB224M25H   | 76.2000            | 50.800                         | 65.09                           | 65.90                           | 44.40                           | 13.50                         | 39.70                           | 48.40                           | 1.40           |        |        |        |       |       |       |
| B420                            | 1 <sup>3</sup> / <sub>16</sub>  | CB22419H    | 3.2190             | 2 <sup>1</sup> / <sub>8</sub>  | 2 <sup>11</sup> / <sub>16</sub> | 2 <sup>23</sup> / <sub>32</sub> | 1 <sup>31</sup> / <sub>32</sub> | <sup>17</sup> / <sub>32</sub> | 1 <sup>5</sup> / <sub>8</sub>   | 1 <sup>31</sup> / <sub>32</sub> | 4.00           |        |        |        |       |       |       |
|                                 | 1 <sup>1</sup> / <sub>4</sub>   | CB22420H    |                    |                                |                                 |                                 |                                 |                               |                                 |                                 |                |        |        |        |       |       |       |
| B424                            | 30.00                           | CB224M30H   | 81.7600            | 53.980                         | 68.26                           | 69.00                           | 50.00                           | 13.50                         | 41.30                           | 50.00                           | 1.70           |        |        |        |       |       |       |
|                                 | 1 <sup>7</sup> / <sub>16</sub>  | CB22423H    | 3.4370             | 2 <sup>3</sup> / <sub>16</sub> | 2 <sup>7</sup> / <sub>8</sub>   | 2 <sup>29</sup> / <sub>32</sub> | 2 <sup>5</sup> / <sub>16</sub>  | <sup>21</sup> / <sub>32</sub> | 1 <sup>25</sup> / <sub>32</sub> | 2 <sup>3</sup> / <sub>16</sub>  | 4.00           |        |        |        |       |       |       |
| 1 <sup>1</sup> / <sub>2</sub>   | CB22424H                        |             |                    |                                |                                 |                                 |                                 |                               |                                 |                                 |                |        |        |        |       |       |       |
| B428                            | 35.00                           | CB224M35H   | 87.3000            | 55.560                         | 73.02                           | 73.80                           | 58.70                           | 16.70                         | 45.20                           | 55.60                           | 2.10           |        |        |        |       |       |       |
|                                 | 1 <sup>5</sup> / <sub>8</sub>   | CB22426H    | 3.9370             | 2 <sup>7</sup> / <sub>16</sub> | 3 <sup>1</sup> / <sub>8</sub>   | 3 <sup>5</sup> / <sub>32</sub>  | 2 <sup>19</sup> / <sub>32</sub> | <sup>21</sup> / <sub>32</sub> | 1 <sup>29</sup> / <sub>32</sub> | 2 <sup>1</sup> / <sub>4</sub>   | 6.00           |        |        |        |       |       |       |
| 1 <sup>11</sup> / <sub>16</sub> | CB22427H                        |             |                    |                                |                                 |                                 |                                 |                               |                                 |                                 |                |        |        |        |       |       |       |
| 1 <sup>3</sup> / <sub>4</sub>   | CB22428H                        |             |                    |                                |                                 |                                 |                                 |                               |                                 |                                 |                |        |        |        |       |       |       |
| B432                            | 40.00                           | CB224M40H   | 100.0000           | 61.910                         | 79.38                           | 80.20                           | 65.90                           | 16.70                         | 48.40                           | 57.20                           | 2.90           |        |        |        |       |       |       |
|                                 | 1 <sup>15</sup> / <sub>16</sub> | CB22431H    | 4.1250             | 2 <sup>7</sup> / <sub>16</sub> | 3 <sup>1</sup> / <sub>8</sub>   | 3 <sup>5</sup> / <sub>32</sub>  | 2 <sup>7</sup> / <sub>8</sub>   | <sup>21</sup> / <sub>32</sub> | 1 <sup>29</sup> / <sub>32</sub> | 2 <sup>9</sup> / <sub>32</sub>  | 6.00           |        |        |        |       |       |       |
|                                 | 2                               | CB22432H    |                    |                                |                                 |                                 |                                 |                               |                                 |                                 |                |        |        |        |       |       |       |
| 45.00                           | CB224M45H                       |             |                    |                                |                                 |                                 |                                 |                               |                                 |                                 |                |        |        |        |       |       |       |
| B436                            | 50.00                           | CB224M50H   | 104.7800           | 61.910                         | 79.38                           | 80.20                           | 73.00                           | 16.70                         | 48.40                           | 57.90                           | 3.10           |        |        |        |       |       |       |
|                                 | 2 <sup>3</sup> / <sub>16</sub>  | CB22435H    | 4.5310             | 2 <sup>9</sup> / <sub>16</sub> | 3 <sup>5</sup> / <sub>16</sub>  | 3 <sup>11</sup> / <sub>32</sub> | 3 <sup>1</sup> / <sub>4</sub>   | <sup>25</sup> / <sub>32</sub> | 2 <sup>1</sup> / <sub>16</sub>  | 2 <sup>7</sup> / <sub>16</sub>  | 8.00           |        |        |        |       |       |       |
|                                 | 2 <sup>1</sup> / <sub>4</sub>   | CB22436H    |                    |                                |                                 |                                 |                                 |                               |                                 |                                 |                |        |        |        |       |       |       |
| 55.00                           | CB224M55H                       |             |                    |                                |                                 |                                 |                                 |                               |                                 |                                 |                |        |        |        |       |       |       |
| B440                            | 115.0900                        | CB224M55H   | 115.0900           | 65.090                         | 84.14                           | 84.90                           | 82.60                           | 19.80                         | 52.40                           | 61.90                           | 3.80           |        |        |        |       |       |       |
|                                 | 2 <sup>7</sup> / <sub>16</sub>  | CB22439H    | 5.0000             | 2 <sup>5</sup> / <sub>8</sub>  | 3 <sup>1</sup> / <sub>2</sub>   | 3 <sup>17</sup> / <sub>32</sub> | 3 <sup>9</sup> / <sub>16</sub>  | <sup>27</sup> / <sub>32</sub> | 2 <sup>3</sup> / <sub>16</sub>  | 2 <sup>9</sup> / <sub>16</sub>  | 10.00          |        |        |        |       |       |       |
|                                 | 2 <sup>1</sup> / <sub>2</sub>   | CB22440H    |                    |                                |                                 |                                 |                                 |                               |                                 |                                 |                |        |        |        |       |       |       |
| 60.00                           | CB224M60H                       |             |                    |                                |                                 |                                 |                                 |                               |                                 |                                 |                |        |        |        |       |       |       |
| B448                            | 127.0000                        | CB224M60H   | 127.0000           | 66.680                         | 88.90                           | 89.70                           | 90.50                           | 21.40                         | 55.60                           | 65.10                           | 4.80           |        |        |        |       |       |       |
|                                 | 2 <sup>11</sup> / <sub>16</sub> | CB22443H    | 5.8750             | 3 <sup>1</sup> / <sub>8</sub>  | 4                               | 4 <sup>1</sup> / <sub>32</sub>  | 4 <sup>1</sup> / <sub>16</sub>  | <sup>27</sup> / <sub>32</sub> | 2 <sup>7</sup> / <sub>16</sub>  | 2 <sup>25</sup> / <sub>32</sub> | 18.00          |        |        |        |       |       |       |
|                                 | 2 <sup>3</sup> / <sub>4</sub>   | CB22444H    |                    |                                |                                 |                                 |                                 |                               |                                 |                                 | 17.00          |        |        |        |       |       |       |
|                                 | 2 <sup>15</sup> / <sub>16</sub> | CB22447H    |                    |                                |                                 |                                 |                                 |                               |                                 |                                 | 16.00          |        |        |        |       |       |       |
|                                 | 3                               | CB22448H    |                    |                                |                                 |                                 |                                 |                               |                                 |                                 | 8.10           |        |        |        |       |       |       |
|                                 | 65.00                           | CB224M65H   |                    |                                |                                 |                                 |                                 |                               |                                 |                                 | 79.380         | 101.60 | 102.40 | 103.20 | 21.40 | 61.90 | 70.60 |
| 70.00                           | CB224M70H                       | 79.380      |                    |                                |                                 |                                 |                                 |                               |                                 |                                 | 101.60         | 102.40 | 103.20 | 21.40  | 61.90 | 70.60 | 8.00  |
| B456                            | 75.00                           | CB224M75H   | 149.2200           | 79.380                         | 101.60                          | 102.40                          | 103.20                          | 21.40                         | 61.90                           | 70.60                           | 7.80           |        |        |        |       |       |       |
|                                 | 3 <sup>3</sup> / <sub>16</sub>  | CB22451H    | 6.7500             | 3 <sup>7</sup> / <sub>16</sub> | 4 <sup>3</sup> / <sub>8</sub>   | 4 <sup>3</sup> / <sub>8</sub>   | 4 <sup>29</sup> / <sub>32</sub> | <sup>15</sup> / <sub>16</sub> | 2 <sup>21</sup> / <sub>32</sub> | 3                               | 25.00          |        |        |        |       |       |       |
|                                 | 3 <sup>7</sup> / <sub>16</sub>  | CB22455H    |                    |                                |                                 |                                 |                                 |                               |                                 |                                 | 23.00          |        |        |        |       |       |       |
|                                 | 3 <sup>1</sup> / <sub>2</sub>   | CB22456H    |                    |                                |                                 |                                 |                                 |                               |                                 |                                 | 11.20          |        |        |        |       |       |       |
|                                 | 80.00                           | CB224M80H   |                    |                                |                                 |                                 |                                 |                               |                                 |                                 | 87.310         | 111.12 | 111.10 | 124.60 | 23.80 | 67.50 | 76.20 |
| 85.00                           | CB224M85H                       | 87.310      |                    |                                |                                 |                                 |                                 |                               |                                 |                                 | 111.12         | 111.10 | 124.60 | 23.80  | 67.50 | 76.20 | 11.00 |

## Additional Notes

- Please call 1-866-REXNORD for availability
- Lubrication fitting tap size, 1/8 in PT
- O.D. tolerance, +.000 in/- .002 in (+0.00 mm/-0.05 mm)
- Bore tolerance for mounting, +.002 in/- .000 in (+0.05 mm/-0.00 mm)
- H labyrinth seals standard
- All size codes available with type E lip seals, except E7 in size code B416
- For the Selection Guide, Load Ratings and Speed Limits, see the Link-Belt Spherical Roller Bearings Engineering section

Note: Dimensions subject to change. Certified dimensions of ordered material furnished on request.

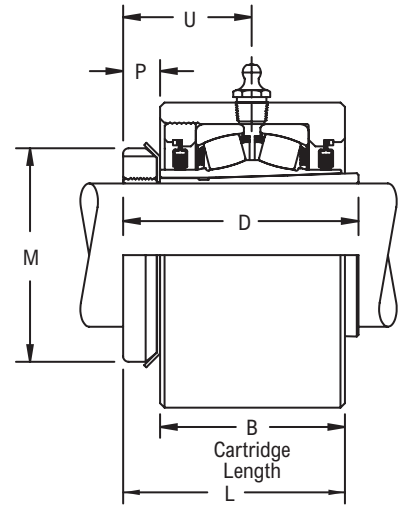
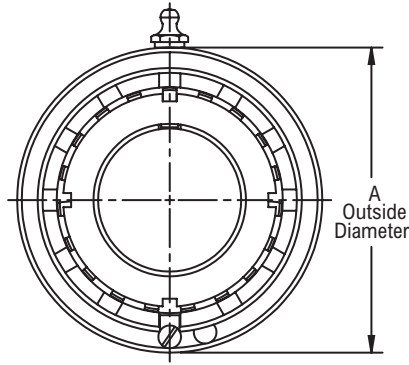
## CB22600



Photo Shows a Spherical Roller Bearing Cartridge Unit with Cast Iron Housing

### Product Features

- Corrosion resistant powder coating
  - Cast iron housing
  - Misalignment capabilities - total of 4°
  - Broad range of sealing options
  - Factory set clearance & lubrication
  - Enhanced life mounting style
  - Field interchangeable seals
- See Features & Benefits for additional info.



### Bearing Dimensions

| Size Code | Shaft Diameter                  | Part Number | A Outside Diameter | B Cartridge Length             | D    | L                               | M                               | P                             | U                               | Approx. Weight |
|-----------|---------------------------------|-------------|--------------------|--------------------------------|------|---------------------------------|---------------------------------|-------------------------------|---------------------------------|----------------|
| B624      | 1 <sup>7</sup> / <sub>16</sub>  | CB22623H    | 3.4370             | 2 <sup>3</sup> / <sub>16</sub> | 2.71 | 2 <sup>13</sup> / <sub>16</sub> | 2 <sup>1</sup> / <sub>4</sub>   | <sup>9</sup> / <sub>16</sub>  | 1 <sup>43</sup> / <sub>64</sub> | 4.00           |
| B631      | 1 <sup>15</sup> / <sub>16</sub> | CB22631H    | 4.1250             | 2 <sup>7</sup> / <sub>16</sub> | 3.08 | 3 <sup>11</sup> / <sub>64</sub> | 2 <sup>31</sup> / <sub>32</sub> | <sup>43</sup> / <sub>64</sub> | 1 <sup>55</sup> / <sub>64</sub> | 6.00           |
| B635      | 2 <sup>3</sup> / <sub>16</sub>  | CB22635H    | 4.5310             | 2 <sup>9</sup> / <sub>16</sub> | 3.16 | 3 <sup>7</sup> / <sub>32</sub>  | 3 <sup>5</sup> / <sub>32</sub>  | <sup>21</sup> / <sub>32</sub> | 1 <sup>29</sup> / <sub>32</sub> | 8.00           |
| B639      | 2 <sup>7</sup> / <sub>16</sub>  | CB22639H    | 5.0000             | 2 <sup>5</sup> / <sub>8</sub>  | 3.28 | 3 <sup>25</sup> / <sub>64</sub> | 3 <sup>5</sup> / <sub>8</sub>   | <sup>43</sup> / <sub>64</sub> | 2 <sup>3</sup> / <sub>64</sub>  | 10.00          |
| B647      | 2 <sup>11</sup> / <sub>16</sub> | CB22643H    | 5.8750             | 3 <sup>1</sup> / <sub>8</sub>  | 3.86 | 4                               | 4 <sup>5</sup> / <sub>32</sub>  | <sup>3</sup> / <sub>4</sub>   | 2 <sup>19</sup> / <sub>64</sub> | 18.00          |
|           | 2 <sup>15</sup> / <sub>16</sub> | CB22647H    |                    |                                |      |                                 |                                 |                               |                                 | 16.00          |
| B655      | 3 <sup>7</sup> / <sub>16</sub>  | CB22655H    | 6.7500             | 3 <sup>7</sup> / <sub>16</sub> | 4.29 | 4 <sup>3</sup> / <sub>8</sub>   | 4 <sup>15</sup> / <sub>16</sub> | <sup>7</sup> / <sub>8</sub>   | 2 <sup>9</sup> / <sub>16</sub>  | 23.00          |

### Additional Notes

- Please call 1-866-REXNORD for availability
- Lubrication fitting tap size, 1/8 in PT
- Dimensions for "D", "P" & "U" based on unmounted condition
- O.D. tolerance, +.000 in/- .002 in (+0.00 mm/-0.05 mm)
- Bore tolerance for mounting, +.002 in/- .000 in (+0.05 mm/-0.00 mm)
- H labyrinth seals standard
- All size codes available with type E lip seals & E7 triple lip seals

For the Selection Guide, Load Ratings and Speed Limits, see the Link-Belt Spherical Roller Bearings Engineering section

Note: Dimensions subject to change. Certified dimensions of ordered material furnished on request.

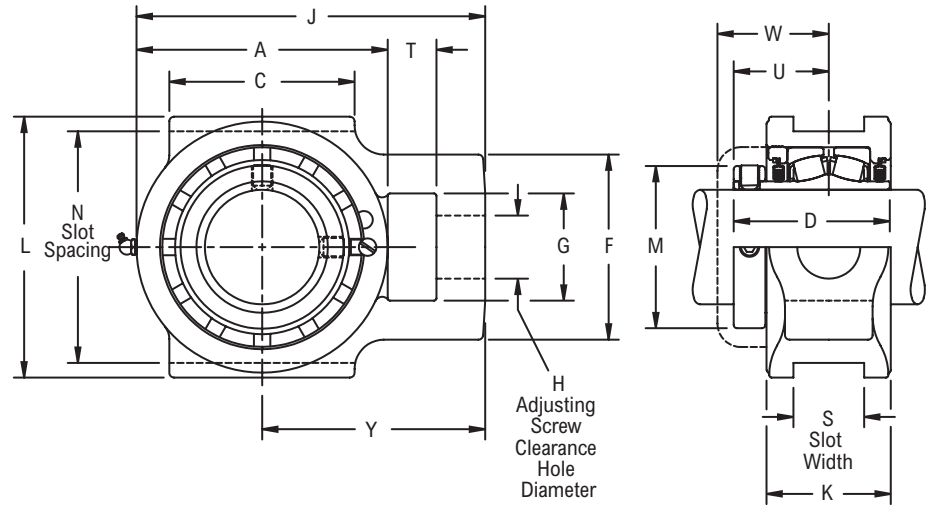
# TB22400



Photo Shows a Spherical Roller Bearing Take-up Unit

## Product Features

- Corrosion-resistant powder coating
- Cast iron housing
- Misalignment capabilities - total of 4°
- Broad range of sealing options
- Factory set clearance & lubrication
- Hardened spring locking collar
- Field interchangeable seals
- See Features & Benefits for additional info.



## Bearing Dimensions

| Size Code | Shaft Diameter | Part Number | H Adjusting Screw Hole Diameter | N Slot Spacing | S Slot Width | A      | C      | D       | F      | G       | J       | K      | L       | M       | T     | U       | W       | Y       | Approx. Weight |
|-----------|----------------|-------------|---------------------------------|----------------|--------------|--------|--------|---------|--------|---------|---------|--------|---------|---------|-------|---------|---------|---------|----------------|
| B416      | 1              | TB22416H    | 3/4                             | 3.000          | 0.531        | 3      | 2 1/4  | 2 9/16  | 2      | 1 1/4   | 4 1/16  | 2      | 3 5/8   | 1 3/4   | 5/8   | 1 9/16  | 1 29/32 | 2 9/16  | 4.40           |
|           | 25.00          | TB224M25H   | 19.10                           | 76.200         | 13.490       | 76.20  | 57.20  | 65.09   | 50.80  | 31.80   | 103.20  | 50.80  | 92.10   | 44.40   | 15.90 | 39.70   | 48.40   | 65.10   | 2.00           |
| B420      | 1 3/16         | TB22419H    | 7/8                             | 3.500          | 0.531        | 3 3/8  | 2 1/2  | 2 11/16 | 2 5/16 | 1 7/16  | 4 9/16  | 2 1/8  | 4 1/8   | 1 31/32 | 5/8   | 1 5/8   | 1 31/32 | 2 7/8   | 5.70           |
|           | 1 1/4          | TB22420H    | 7/8                             | 3.500          | 0.531        | 3 3/8  | 2 1/2  | 2 11/16 | 2 5/16 | 1 7/16  | 4 9/16  | 2 1/8  | 4 1/8   | 1 31/32 | 5/8   | 1 5/8   | 1 31/32 | 2 7/8   | 5.60           |
|           | 30.00          | TB224M30H   | 22.20                           | 88.900         | 13.490       | 85.73  | 63.50  | 68.26   | 58.70  | 36.50   | 115.90  | 53.90  | 104.80  | 50.00   | 15.90 | 41.30   | 50.00   | 73.00   | 2.60           |
| B424      | 1 7/16         | TB22423H    | 7/8                             | 3.500          | 0.531        | 3 3/4  | 2 3/4  | 2 7/8   | 2 3/8  | 1 7/16  | 5 1/16  | 2 3/16 | 4 1/8   | 2 5/16  | 5/8   | 1 25/32 | 2 3/16  | 3 1/4   | 6.40           |
|           | 1 1/2          | TB22424H    | 7/8                             | 3.500          | 0.531        | 3 3/4  | 2 3/4  | 2 7/8   | 2 3/8  | 1 7/16  | 5 1/16  | 2 3/16 | 4 1/8   | 2 5/16  | 5/8   | 1 25/32 | 2 3/16  | 3 1/4   | 6.40           |
|           | 35.00          | TB224M35H   | 22.20                           | 88.900         | 13.490       | 95.25  | 69.80  | 73.02   | 60.30  | 36.50   | 128.60  | 55.60  | 104.80  | 58.70   | 15.90 | 45.20   | 55.60   | 82.60   | 2.90           |
| B428      | 1 5/8          | TB22426H    | 1 1/8                           | 4.000          | 0.687        | 4 1/4  | 3 1/4  | 3 1/8   | 3 3/16 | 1 15/16 | 5 15/16 | 2 7/16 | 4 3/4   | 2 19/32 | 3/4   | 1 29/32 | 2 1/4   | 3 13/16 | 9.70           |
|           | 1 11/16        | TB22427H    | 1 1/8                           | 4.000          | 0.687        | 4 1/4  | 3 1/4  | 3 1/8   | 3 3/16 | 1 15/16 | 5 15/16 | 2 7/16 | 4 3/4   | 2 19/32 | 3/4   | 1 29/32 | 2 1/4   | 3 13/16 | 9.50           |
|           | 1 3/4          | TB22428H    | 1 1/8                           | 4.000          | 0.687        | 4 1/4  | 3 1/4  | 3 1/8   | 3 3/16 | 1 15/16 | 5 15/16 | 2 7/16 | 4 3/4   | 2 19/32 | 3/4   | 1 29/32 | 2 1/4   | 3 13/16 | 9.50           |
|           | 40.00          | TB224M40H   | 28.60                           | 101.600        | 17.460       | 107.95 | 82.60  | 79.38   | 81.00  | 49.20   | 150.80  | 61.90  | 120.60  | 65.90   | 19.00 | 48.40   | 57.20   | 96.80   | 4.50           |
| B432      | 1 15/16        | TB22431H    | 1 1/8                           | 4.000          | 0.687        | 4 1/2  | 3 3/8  | 3 1/8   | 3 3/16 | 1 15/16 | 6 3/16  | 2 7/16 | 4 1/2   | 2 7/8   | 3/4   | 1 29/32 | 2 9/32  | 3 15/16 | 9.90           |
|           | 2              | TB22432H    | 1 1/8                           | 4.000          | 0.687        | 4 1/2  | 3 3/8  | 3 1/8   | 3 3/16 | 1 15/16 | 6 3/16  | 2 7/16 | 4 1/2   | 2 7/8   | 3/4   | 1 29/32 | 2 9/32  | 3 15/16 | 9.70           |
|           | 45.00          | TB224M45H   | 28.60                           | 101.600        | 17.460       | 114.30 | 85.70  | 79.38   | 81.00  | 49.20   | 157.20  | 61.90  | 114.30  | 73.00   | 19.00 | 48.40   | 57.90   | 100.00  | 4.70           |
| B436      | 2 3/16         | TB22435H    | 1 3/8                           | 4.500          | 0.813        | 5      | 3 3/4  | 3 5/16  | 3 3/4  | 2 1/4   | 7 1/8   | 2 1/2  | 5 1/4   | 3 1/4   | 1 1/4 | 2 1/16  | 2 7/16  | 4 5/8   | 14.10          |
|           | 2 1/4          | TB22436H    | 1 3/8                           | 4.500          | 0.813        | 5      | 3 3/4  | 3 5/16  | 3 3/4  | 2 1/4   | 7 1/8   | 2 1/2  | 5 1/4   | 3 1/4   | 1 1/4 | 2 1/16  | 2 7/16  | 4 5/8   | 14.10          |
|           | 55.00          | TB224M55H   | 34.90                           | 114.300        | 20.640       | 127.00 | 95.20  | 84.14   | 95.20  | 57.20   | 181.00  | 63.50  | 133.40  | 82.60   | 31.80 | 52.40   | 61.90   | 117.50  | 6.80           |
| B440      | 2 7/16         | TB22439H    | 1 3/8                           | 5.125          | 1.063        | 5 1/2  | 4      | 3 1/2   | 4 1/8  | 2 1/4   | 7 13/16 | 2 5/8  | 5 7/8   | 3 9/16  | 1 1/4 | 2 3/16  | 2 9/16  | 5 1/16  | 18.00          |
|           | 2 1/2          | TB22440H    | 1 3/8                           | 5.125          | 1.063        | 5 1/2  | 4      | 3 1/2   | 4 1/8  | 2 1/4   | 7 13/16 | 2 5/8  | 5 7/8   | 3 9/16  | 1 1/4 | 2 3/16  | 2 9/16  | 5 1/16  | 17.80          |
|           | 60.00          | TB224M60H   | 34.90                           | 130.180        | 26.990       | 139.70 | 101.60 | 88.90   | 104.80 | 57.20   | 198.40  | 66.70  | 149.20  | 90.50   | 31.80 | 55.60   | 65.10   | 128.60  | 8.30           |
| B448      | 2 11/16        | TB22443H    | 1 5/8                           | 5.937          | 1.812        | 6 7/16 | 4 3/4  | 4       | 4 3/4  | 2 3/4   | 9 1/8   | 3 1/8  | 6 11/16 | 4 1/16  | 1 1/2 | 2 7/16  | 2 25/32 | 5 15/16 | 23.60          |
|           | 2 3/4          | TB22444H    | 1 5/8                           | 5.937          | 1.812        | 6 7/16 | 4 3/4  | 4       | 4 3/4  | 2 3/4   | 9 1/8   | 3 1/8  | 6 11/16 | 4 1/16  | 1 1/2 | 2 7/16  | 2 25/32 | 5 15/16 | 23.50          |
|           | 2 15/16        | TB22447H    | 1 5/8                           | 5.937          | 1.812        | 6 7/16 | 4 3/4  | 4       | 4 3/4  | 2 3/4   | 9 1/8   | 3 1/8  | 6 11/16 | 4 1/16  | 1 1/2 | 2 7/16  | 2 25/32 | 5 15/16 | 23.00          |
|           | 3              | TB22448H    | 1 5/8                           | 5.937          | 1.812        | 6 7/16 | 4 3/4  | 4       | 4 3/4  | 2 3/4   | 9 1/8   | 3 1/8  | 6 11/16 | 4 1/16  | 1 1/2 | 2 7/16  | 2 25/32 | 5 15/16 | 22.90          |
|           | 65.00          | TB224M65H   | 41.30                           | 150.810        | 46.020       | 163.50 | 120.60 | 101.60  | 120.60 | 69.80   | 231.80  | 79.40  | 169.90  | 103.20  | 38.10 | 61.90   | 70.60   | 150.80  | 10.60          |
|           | 70.00          | TB224M70H   | 41.30                           | 150.810        | 46.020       | 163.50 | 120.60 | 101.60  | 120.60 | 69.80   | 231.80  | 79.40  | 169.90  | 103.20  | 38.10 | 61.90   | 70.60   | 150.80  | 10.30          |
|           | 75.00          | TB224M75H   | 41.30                           | 150.810        | 46.020       | 163.50 | 120.60 | 101.60  | 120.60 | 69.80   | 231.80  | 79.40  | 169.90  | 103.20  | 38.10 | 61.90   | 70.60   | 150.80  | 10.20          |
| B456      | 3 7/16         | TB22455H    | 1 7/8                           | 6.812          | 1.812        | 7 3/8  | 5 1/2  | 4 3/8   | 4 7/8  | 2 7/8   | 10      | 3 7/16 | 7 13/16 | 4 29/32 | 1 5/8 | 2 21/32 | 3       | 6 5/16  | 43.50          |
|           | 3 1/2          | TB22456H    | 1 7/8                           | 6.812          | 1.812        | 7 3/8  | 5 1/2  | 4 3/8   | 4 7/8  | 2 7/8   | 10      | 3 7/16 | 7 13/16 | 4 29/32 | 1 5/8 | 2 21/32 | 3       | 6 5/16  | 43.10          |
|           | 80.00          | TB224M80H   | 47.60                           | 173.020        | 46.020       | 187.30 | 139.70 | 111.12  | 123.80 | 73.00   | 254.00  | 87.30  | 198.40  | 124.60  | 41.30 | 67.50   | 76.20   | 160.30  | 20.50          |
|           | 85.00          | TB224M85H   | 47.60                           | 173.020        | 46.020       | 187.30 | 139.70 | 111.12  | 123.80 | 73.00   | 254.00  | 87.30  | 198.40  | 124.60  | 41.30 | 67.50   | 76.20   | 160.30  | 20.00          |
| B464      | 3 15/16        | TB22463H    | 2 1/8                           | 8.625          | 2.062        | 8 7/8  | 7      | 5 1/16  | 5 1/4  | 3 1/8   | 12 1/8  | 4 1/8  | 9 7/16  | 5 5/8   | 2 1/8 | 3 1/16  | 3 7/16  | 7 11/16 | 77.00          |
|           | 4              | TB22464H    | 2 1/8                           | 8.625          | 2.062        | 8 7/8  | 7      | 5 1/16  | 5 1/4  | 3 1/8   | 12 1/8  | 4 1/8  | 9 7/16  | 5 5/8   | 2 1/8 | 3 1/16  | 3 7/16  | 7 11/16 | 76.00          |
|           | 90.00          | TB224M90H   | 53.98                           | 219.080        | 52.370       | 225.40 | 177.80 | 128.59  | 133.40 | 79.40   | 308.00  | 104.80 | 239.70  | 142.90  | 54.00 | 77.80   | 87.30   | 195.30  | 34.90          |
|           | 100.00         | TB224M100H  | 53.98                           | 219.080        | 52.370       | 225.40 | 177.80 | 128.59  | 133.40 | 79.40   | 308.00  | 104.80 | 239.70  | 142.90  | 54.00 | 77.80   | 87.30   | 195.30  | 34.50          |

## Additional Notes

- Please call 1-866-REXNORD for availability
- Lubrication fitting tap size, 1/8" PT
- Take-up slot spacing & width tolerance, +.005 in/-0.015 in (+0.13 mm/-0.38 mm)
- H labyrinth seals standard
- All size codes available with type E lip seals, except E7 in size code B416
- For the Selection Guide, Load Ratings and Speed Limits, see the Link-Belt Spherical Roller Bearings Engineering section

Note: Dimensions subject to change. Certified dimensions of ordered material furnished on request.

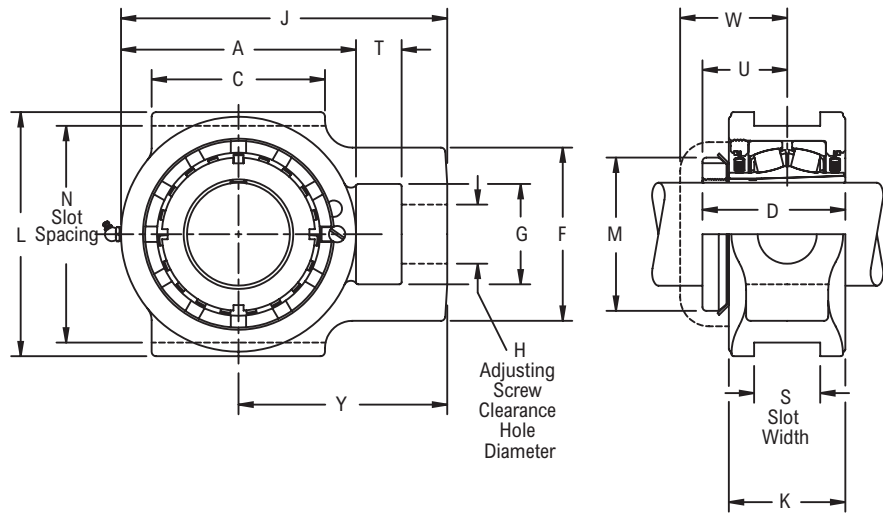
## TB22600



Photo Shows a Spherical Roller Bearing Take-up Unit

## Product Features

- Corrosion-resistant powder coating
  - Cast iron housing
  - Misalignment capabilities - total of 4°
  - Broad range of sealing options
  - Factory set clearance & lubrication
  - Enhanced life mounting style
  - Field interchangeable seals
- See Features & Benefits for additional info.



## Bearing Dimensions

| Size Code | Shaft Diameter                  | Part Number | H Adjusting Screw Hole Diameter | N Slot Spacing | S Slot Width | A                              | C                             | D    | F                              | G                               | J                               | K                              | L                               | M                               | T                             | U                               | W                               | Y                               | Approx. Weight |
|-----------|---------------------------------|-------------|---------------------------------|----------------|--------------|--------------------------------|-------------------------------|------|--------------------------------|---------------------------------|---------------------------------|--------------------------------|---------------------------------|---------------------------------|-------------------------------|---------------------------------|---------------------------------|---------------------------------|----------------|
| B624      | 1 <sup>7</sup> / <sub>16</sub>  | TB22623H    | <sup>7</sup> / <sub>8</sub>     | 3.500          | 0.531        | 3 <sup>3</sup> / <sub>4</sub>  | 2 <sup>3</sup> / <sub>4</sub> | 2.71 | 2 <sup>3</sup> / <sub>8</sub>  | 1 <sup>7</sup> / <sub>16</sub>  | 5 <sup>1</sup> / <sub>16</sub>  | 2 <sup>3</sup> / <sub>16</sub> | 4 <sup>1</sup> / <sub>8</sub>   | 2 <sup>1</sup> / <sub>4</sub>   | <sup>5</sup> / <sub>8</sub>   | 1 <sup>39</sup> / <sub>64</sub> | 2 <sup>3</sup> / <sub>16</sub>  | 3 <sup>1</sup> / <sub>4</sub>   | 6.40           |
| B631      | 1 <sup>15</sup> / <sub>16</sub> | TB22631H    | 1 <sup>1</sup> / <sub>8</sub>   | 4.000          | 0.687        | 4 <sup>1</sup> / <sub>2</sub>  | 3 <sup>3</sup> / <sub>8</sub> | 3.08 | 3 <sup>3</sup> / <sub>16</sub> | 1 <sup>15</sup> / <sub>16</sub> | 6 <sup>3</sup> / <sub>16</sub>  | 2 <sup>7</sup> / <sub>16</sub> | 4 <sup>1</sup> / <sub>2</sub>   | 2 <sup>31</sup> / <sub>32</sub> | <sup>3</sup> / <sub>4</sub>   | 1 <sup>55</sup> / <sub>64</sub> | 2 <sup>9</sup> / <sub>32</sub>  | 3 <sup>15</sup> / <sub>16</sub> | 9.70           |
| B635      | 2 <sup>3</sup> / <sub>16</sub>  | TB22635H    | 1 <sup>3</sup> / <sub>8</sub>   | 4.500          | 0.813        | 5                              | 3 <sup>3</sup> / <sub>4</sub> | 3.16 | 3 <sup>3</sup> / <sub>4</sub>  | 2 <sup>1</sup> / <sub>4</sub>   | 7 <sup>1</sup> / <sub>8</sub>   | 2 <sup>1</sup> / <sub>2</sub>  | 5 <sup>1</sup> / <sub>4</sub>   | 3 <sup>5</sup> / <sub>32</sub>  | 1 <sup>1</sup> / <sub>4</sub> | 1 <sup>29</sup> / <sub>32</sub> | 2 <sup>7</sup> / <sub>16</sub>  | 4 <sup>5</sup> / <sub>8</sub>   | 14.10          |
| B639      | 2 <sup>7</sup> / <sub>16</sub>  | TB22639H    | 1 <sup>3</sup> / <sub>8</sub>   | 5.125          | 1.063        | 5 <sup>1</sup> / <sub>2</sub>  | 4                             | 3.28 | 4 <sup>1</sup> / <sub>8</sub>  | 2 <sup>1</sup> / <sub>4</sub>   | 7 <sup>13</sup> / <sub>16</sub> | 2 <sup>5</sup> / <sub>8</sub>  | 5 <sup>7</sup> / <sub>8</sub>   | 3 <sup>5</sup> / <sub>8</sub>   | 1 <sup>1</sup> / <sub>4</sub> | 1 <sup>31</sup> / <sub>32</sub> | 2 <sup>9</sup> / <sub>16</sub>  | 5 <sup>1</sup> / <sub>16</sub>  | 17.80          |
| B647      | 2 <sup>11</sup> / <sub>16</sub> | TB22643H    | 1 <sup>5</sup> / <sub>8</sub>   | 5.937          | 1.812        | 6 <sup>7</sup> / <sub>16</sub> | 4 <sup>3</sup> / <sub>4</sub> | 3.86 | 4 <sup>3</sup> / <sub>4</sub>  | 2 <sup>3</sup> / <sub>4</sub>   | 9 <sup>1</sup> / <sub>8</sub>   | 3 <sup>1</sup> / <sub>8</sub>  | 6 <sup>11</sup> / <sub>16</sub> | 4 <sup>5</sup> / <sub>32</sub>  | 1 <sup>1</sup> / <sub>2</sub> | 2 <sup>19</sup> / <sub>64</sub> | 2 <sup>25</sup> / <sub>32</sub> | 5 <sup>15</sup> / <sub>16</sub> | 13.50          |
|           | 2 <sup>15</sup> / <sub>16</sub> | TB22647H    |                                 |                |              |                                |                               |      |                                |                                 |                                 |                                |                                 |                                 |                               |                                 |                                 |                                 | 13.00          |
| B655      | 3 <sup>7</sup> / <sub>16</sub>  | TB22655H    | 1 <sup>7</sup> / <sub>8</sub>   | 6.812          | 1.812        | 7 <sup>3</sup> / <sub>8</sub>  | 5 <sup>1</sup> / <sub>2</sub> | 4.29 | 4 <sup>7</sup> / <sub>8</sub>  | 2 <sup>7</sup> / <sub>8</sub>   | 10                              | 3 <sup>7</sup> / <sub>16</sub> | 7 <sup>13</sup> / <sub>16</sub> | 4 <sup>15</sup> / <sub>16</sub> | 1 <sup>5</sup> / <sub>8</sub> | 2 <sup>37</sup> / <sub>64</sub> | 3                               | 6 <sup>5</sup> / <sub>16</sub>  | 43.10          |
| B663      | 3 <sup>15</sup> / <sub>16</sub> | TB22663H    | 2 <sup>1</sup> / <sub>8</sub>   | 8.625          | 2.062        | 8 <sup>7</sup> / <sub>8</sub>  | 7                             | 4.94 | 5 <sup>1</sup> / <sub>4</sub>  | 3 <sup>1</sup> / <sub>8</sub>   | 12 <sup>1</sup> / <sub>8</sub>  | 4 <sup>1</sup> / <sub>8</sub>  | 9 <sup>7</sup> / <sub>16</sub>  | 5 <sup>7</sup> / <sub>16</sub>  | 2 <sup>1</sup> / <sub>8</sub> | 2 <sup>15</sup> / <sub>16</sub> | 3 <sup>7</sup> / <sub>16</sub>  | 7 <sup>11</sup> / <sub>16</sub> | 76.00          |

## Additional Notes

- Please call 1-866-REXNORD for availability
- Lubrication fitting tap size, 1/8" PT
- Dimensions for "D" & "U" based on unmounted condition
- Take-up slot spacing & width tolerance, ±.005 in/-.015 in (**+0.13 mm/-0.38 mm**)
- H labyrinth seals standard
- All size codes available with type E lip seals & E7 triple lip seals
- For the Selection Guide, Load Ratings and Speed Limits, see the Link-Belt Spherical Roller Bearings Engineering section

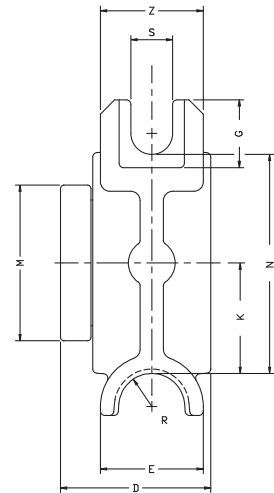
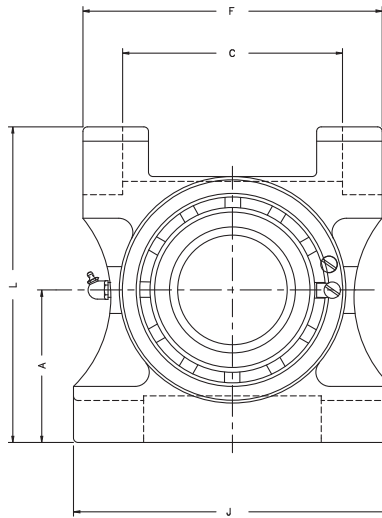
Note: Dimensions subject to change. Certified dimensions of ordered material furnished on request.

## ETPB22400



## Product Features

- Cast iron Type E housing
- Corrosion resistant powder coating
- Misalignment capabilities - Total of 4°
- Broad range of sealing options
- Factory set clearance & lubrication
- Field interchangeable seals
- See Features & Benefits for additional info



## Bearing Dimensions

| Size Code | Shaft Diameter                  | Part Number | A Base to Centerline Height     | C                              | D                              | E                              | F                               | G                               | J                             | K                               | L                                | M                               | N                               | R                               | S                              | Z                               | Approx. Weight |
|-----------|---------------------------------|-------------|---------------------------------|--------------------------------|--------------------------------|--------------------------------|---------------------------------|---------------------------------|-------------------------------|---------------------------------|----------------------------------|---------------------------------|---------------------------------|---------------------------------|--------------------------------|---------------------------------|----------------|
| B432      | 1 <sup>15</sup> / <sub>16</sub> | ETPB22431H  | 3 <sup>7</sup> / <sub>32</sub>  | 4 <sup>1</sup> / <sub>2</sub>  | 3 <sup>1</sup> / <sub>8</sub>  | 2 <sup>3</sup> / <sub>8</sub>  | 6                               | 1 <sup>3</sup> / <sub>8</sub>   | 6 <sup>1</sup> / <sub>2</sub> | 2                               | 6 <sup>7</sup> / <sub>16</sub>   | 2 <sup>7</sup> / <sub>8</sub>   | 4                               | 1 <sup>3</sup> / <sub>16</sub>  | 1 <sup>5</sup> / <sub>16</sub> | 2 <sup>13</sup> / <sub>32</sub> | 15.00          |
|           | 2                               | ETPB22432H  |                                 |                                |                                |                                |                                 |                                 |                               |                                 |                                  |                                 |                                 |                                 |                                |                                 |                |
| B436      | 2 <sup>3</sup> / <sub>16</sub>  | ETPB22435H  | 3 <sup>15</sup> / <sub>32</sub> | 5 <sup>1</sup> / <sub>4</sub>  | 3 <sup>5</sup> / <sub>16</sub> | 2 <sup>7</sup> / <sub>16</sub> | 6 <sup>3</sup> / <sub>4</sub>   | 1 <sup>13</sup> / <sub>32</sub> | 7                             | 2 <sup>1</sup> / <sub>4</sub>   | 6 <sup>29</sup> / <sub>32</sub>  | 3 <sup>1</sup> / <sub>4</sub>   | 4 <sup>1</sup> / <sub>2</sub>   | 1 <sup>3</sup> / <sub>16</sub>  | 1 <sup>5</sup> / <sub>16</sub> | 2 <sup>5</sup> / <sub>8</sub>   | 15.00          |
|           | 2 <sup>7</sup> / <sub>16</sub>  | ETPB22439H  |                                 |                                |                                |                                |                                 |                                 |                               |                                 |                                  |                                 |                                 |                                 |                                |                                 |                |
| B440      | 2 <sup>1</sup> / <sub>2</sub>   | ETPB22440H  | 3 <sup>1</sup> / <sub>2</sub>   | 4 <sup>7</sup> / <sub>8</sub>  | 3 <sup>1</sup> / <sub>2</sub>  | 2 <sup>3</sup> / <sub>4</sub>  | 7                               | 1 <sup>25</sup> / <sub>32</sub> | 7 <sup>1</sup> / <sub>2</sub> | 2 <sup>3</sup> / <sub>8</sub>   | 7 <sup>3</sup> / <sub>8</sub>    | 3 <sup>9</sup> / <sub>16</sub>  | 4 <sup>13</sup> / <sub>16</sub> | 7 <sup>7</sup> / <sub>8</sub>   | 1 <sup>3</sup> / <sub>32</sub> | 2 <sup>3</sup> / <sub>4</sub>   | 21.00          |
|           | 2 <sup>15</sup> / <sub>16</sub> | ETPB22447H  |                                 |                                |                                |                                |                                 |                                 |                               |                                 |                                  |                                 |                                 |                                 |                                |                                 |                |
| B448      | 3                               | ETPB22448H  | 4 <sup>5</sup> / <sub>64</sub>  | 5 <sup>7</sup> / <sub>8</sub>  | 4                              | 2 <sup>3</sup> / <sub>4</sub>  | 8                               | 1 <sup>13</sup> / <sub>16</sub> | 8 <sup>1</sup> / <sub>2</sub> | 2 <sup>31</sup> / <sub>32</sub> | 8 <sup>7</sup> / <sub>16</sub>   | 4 <sup>1</sup> / <sub>16</sub>  | 5 <sup>13</sup> / <sub>16</sub> | 7 <sup>7</sup> / <sub>8</sub>   | 1 <sup>3</sup> / <sub>32</sub> | 3 <sup>5</sup> / <sub>32</sub>  | 29.00          |
|           | 3 <sup>7</sup> / <sub>16</sub>  | ETPB22455H  | 4 <sup>1</sup> / <sub>2</sub>   | 6 <sup>7</sup> / <sub>16</sub> | 4 <sup>3</sup> / <sub>8</sub>  | 2 <sup>3</sup> / <sub>4</sub>  | 8 <sup>15</sup> / <sub>16</sub> | 2 <sup>3</sup> / <sub>64</sub>  | 9 <sup>3</sup> / <sub>8</sub> | 3 <sup>1</sup> / <sub>2</sub>   | 9 <sup>1</sup> / <sub>2</sub>    | 4 <sup>29</sup> / <sub>32</sub> | 6 <sup>3</sup> / <sub>4</sub>   | 7 <sup>7</sup> / <sub>8</sub>   | 1 <sup>3</sup> / <sub>8</sub>  | 3 <sup>7</sup> / <sub>16</sub>  | 41.00          |
| B464      | 3 <sup>15</sup> / <sub>16</sub> | ETPB22463H  | 5 <sup>1</sup> / <sub>2</sub>   | 8                              | 5 <sup>1</sup> / <sub>16</sub> | 3 <sup>1</sup> / <sub>8</sub>  | 10 <sup>1</sup> / <sub>2</sub>  | 2 <sup>1</sup> / <sub>16</sub>  | 11                            | 3 <sup>15</sup> / <sub>16</sub> | 10 <sup>15</sup> / <sub>16</sub> | 5 <sup>5</sup> / <sub>8</sub>   | 7 <sup>21</sup> / <sub>32</sub> | 1 <sup>15</sup> / <sub>16</sub> | 1 <sup>3</sup> / <sub>8</sub>  | 4                               | 68.00          |

## Additional Notes

- Please call 1-866-REXNORD for availability
- Lubrication fitting tap size, 1/8" PT
- H labyrinth seals standard
- All size codes available with type E lip seals & E7 triple lip seals
- Selection Guide, see Link-Belt Spherical Roller Bearings Selection Guide Section
- Load Ratings & Speed Limits, see Link-Belt Spherical Roller Bearings Load Ratings & Speed Limits section

Note: Dimensions subject to change. Certified dimensions of ordered material furnished on request.



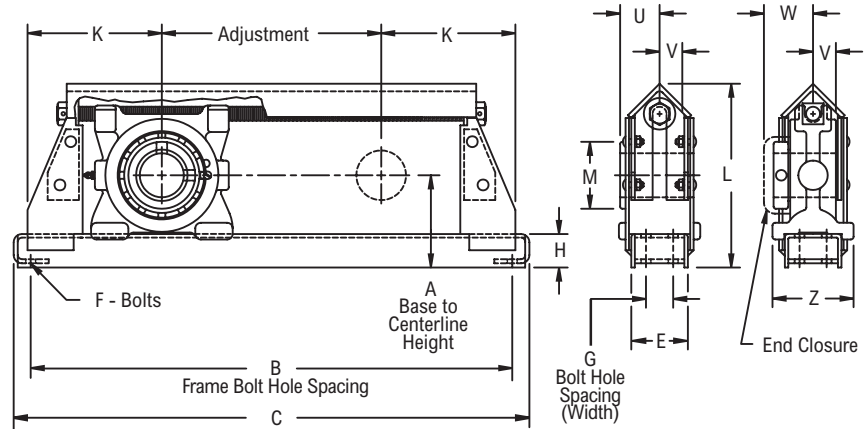
# DSB22400



Photo Shows a Hinged Top, Welded Steel Conveyor Take-up Frame with Spherical Roller Bearing Take-up Unit

## Product Features

- Protected screw type frame
- Corrosion-resistant powder coating
- Cast iron housing
- Misalignment capabilities - total of 4°
- Broad range of sealing options
- Factory set clearance & lubrication
- Field interchangeable seals
- See Features & Benefits for additional info.



## Bearing Dimensions

| Size Code | Shaft Diameter | Complete Take-up Assembly | Travel Length        | A Base to Centerline Height | B Frame Bolt Hole Spacing            | G Bolt Hole Spacing (Width) | C                                    | E      | F     | H     | K      | L        | M       | U       | V       | W       | Z      | Adjust.                          | Approx. Weight               |
|-----------|----------------|---------------------------|----------------------|-----------------------------|--------------------------------------|-----------------------------|--------------------------------------|--------|-------|-------|--------|----------|---------|---------|---------|---------|--------|----------------------------------|------------------------------|
| B432      | 1 15/16        | DSB22431H                 | 12<br>18<br>24       | 3 15/16                     | 26 1/2<br>32 1/2<br>38 1/2           | -                           | 28 1/2<br>34 1/2<br>40 1/2           | 3      | 5/8   | 1 3/4 | 7 1/4  | 8 1/4    | 2 7/8   | 1 29/32 | 1 1/4   | 2 9/32  | 4 1/8  | 12<br>18<br>24                   | 43<br>49<br>54               |
|           | 45.00          | DSB224M45H                | 12<br>18<br>24       | 100.00                      | 673.1<br>825.5<br>977.9              | -                           | 723.9<br>876.3<br>1028.7             | 76.20  | 16.00 | 44.40 | 184.20 | 209.60   | 73.00   | 48.40   | 31.80   | 57.90   | 104.80 | 304.8<br>457.2<br>609.6          | 19.5<br>22.2<br>24.5         |
|           | 50.00          | DSB224M50H                | 12<br>18<br>24       |                             |                                      |                             |                                      |        |       |       |        |          |         |         |         |         |        |                                  |                              |
| B436      | 2 3/16         | DSB22435H                 | 12<br>18<br>24       | 4 3/16                      | 27 1/2<br>33 1/2<br>39 1/2           | -                           | 29 1/2<br>35 1/2<br>41 1/2           | 3      | 5/8   | 1 3/4 | 7 3/4  | 8 11/16  | 3 1/4   | 2 1/16  | 1 9/32  | 2 7/16  | 4 1/8  | 12<br>18<br>24                   | 49<br>55<br>60               |
|           | 55.00          | DSB224M55H                | 12<br>18<br>24       | 106.40                      | 698.5<br>850.9<br>1003.3             | -                           | 749.3<br>901.7<br>1054.1             | 76.20  | 16.00 | 44.40 | 196.80 | 220.70   | 82.60   | 52.40   | 32.50   | 61.90   | 104.80 | 304.8<br>457.2<br>609.6          | 22.2<br>24.9<br>27.2         |
|           |                |                           |                      |                             |                                      |                             |                                      |        |       |       |        |          |         |         |         |         |        |                                  |                              |
| B440      | 2 7/16         | DSB22439H                 | 12<br>18<br>24<br>30 | 4 3/8                       | 28 1/2<br>34 1/2<br>40 1/2<br>46 1/2 | -                           | 30 1/2<br>36 1/2<br>42 1/2<br>48 1/2 | 3      | 3/4   | 1 3/4 | 8 1/4  | 9 1/8    | 3 9/16  | 2 3/16  | 1 3/8   | 2 9/16  | 4 1/8  | 12<br>18<br>24<br>30             | 55<br>61<br>66<br>71         |
|           | 60.00          | DSB224M60H                | 12<br>18<br>24<br>30 | 111.10                      | 723.9<br>876.3<br>1028.7<br>1181.1   | -                           | 774.7<br>927.1<br>1079.5<br>1231.9   | 76.20  | 20.00 | 44.40 | 209.60 | 231.80   | 90.50   | 55.60   | 34.90   | 65.10   | 104.80 | 304.8<br>457.2<br>609.6<br>762.0 | 24.9<br>27.2<br>29.9<br>32.2 |
|           |                |                           |                      |                             |                                      |                             |                                      |        |       |       |        |          |         |         |         |         |        |                                  |                              |
| B448      | 2 15/16        | DSB22447H                 | 12<br>18<br>24<br>30 | 5 1/8                       | 30 1/2<br>36 1/2<br>42 1/2<br>48 1/2 | 2                           | 32 1/2<br>38 1/2<br>44 1/2<br>50 1/2 | 4      | 5/8   | 2     | 9 1/4  | 10 5/8   | 4 1/16  | 2 7/16  | 1 5/8   | 2 25/32 | 5 1/8  | 12<br>18<br>24<br>30             | 80<br>89<br>97<br>105        |
|           | 65.00          | DSB224M65H                | 12<br>18<br>24<br>30 | 130.20                      | 774.4<br>927.1<br>1079.5<br>1231.9   | 50.80                       | 825.5<br>977.9<br>1130.3<br>1282.7   | 101.60 | 16.00 | 50.80 | 235.00 | 269.90   | 103.20  | 61.90   | 41.30   | 70.60   | 130.20 | 304.8<br>457.2<br>609.6<br>762.0 | 36.3<br>40.4<br>44.4<br>47.6 |
|           | 70.00          | DSB224M70H                | 12<br>18<br>24<br>30 |                             |                                      |                             |                                      |        |       |       |        |          |         |         |         |         |        |                                  |                              |
| B456      | 3 7/16         | DSB22455H                 | 12<br>18<br>24<br>30 | 5 5/8                       | 32<br>38<br>44<br>50                 | 2                           | 34 1/4<br>40 1/4<br>46 1/4<br>52 1/4 | 4      | 3/4   | 2     | 10     | 11 13/16 | 4 29/32 | 2 21/32 | 1 23/32 | 3       | 5 5/8  | 12<br>18<br>24<br>30             | 107<br>116<br>124<br>132     |
|           | 80.00          | DSB224M80H                | 12<br>18<br>24<br>30 | 142.90                      | 812.8<br>965.2<br>1117.6<br>1270.0   | 50.80                       | 870.0<br>1022.4<br>1174.8<br>1327.2  | 101.60 | 20.00 | 50.80 | 254.00 | 300.00   | 124.60  | 67.50   | 43.60   | 76.20   | 142.90 | 304.8<br>457.2<br>609.6<br>762.0 | 48.5<br>52.6<br>56.2<br>59.9 |
|           | 85.00          | DSB224M85H                | 12<br>18<br>24<br>30 |                             |                                      |                             |                                      |        |       |       |        |          |         |         |         |         |        |                                  |                              |
| B464      | 3 15/16        | DSB22463H                 | 12<br>18<br>24<br>30 | 7                           | 36<br>42<br>48<br>54                 | 2 1/2                       | 38 1/2<br>44 1/2<br>50 1/2<br>56 1/2 | 5      | 3/4   | 2 1/4 | 12     | 14 11/16 | 5 5/8   | 3 1/16  | 2       | 3 7/16  | 6 7/8  | 12<br>18<br>24<br>30             | 180<br>192<br>202<br>212     |
|           | 90.00          | DSB224M90H                | 12<br>18<br>24<br>30 | 177.80                      | 914.4<br>1066.8<br>1219.2<br>1371.6  | 63.50                       | 977.9<br>1120.3<br>1282.7<br>1435.1  | 127.00 | 20.00 | 57.20 | 304.80 | 373.10   | 142.90  | 77.80   | 50.80   | 87.30   | 174.60 | 304.8<br>457.2<br>609.6<br>762.0 | 81.6<br>87.1<br>91.6<br>96.2 |
|           | 100.00         | DSB224M100H               | 12<br>18<br>24<br>30 |                             |                                      |                             |                                      |        |       |       |        |          |         |         |         |         |        |                                  |                              |

## Additional Notes

- Please call 1-866-REXNORD for availability
- Lubrication fitting tap size, 1/8" PT
- For size code B464, frame has hinged top construction
- Frames with 18 in (457.20 mm) adjustment or more have center supporting pad welded to bottom of frame
- H labyrinth seals standard
- All size codes available with type E lip seals & E7 triple lip seals

For the Selection Guide, Load Ratings and Speed Limits, see the Link-Belt Spherical Roller Bearings Engineering section  
 Note: Dimensions subject to change. Certified dimensions of ordered material furnished on request.

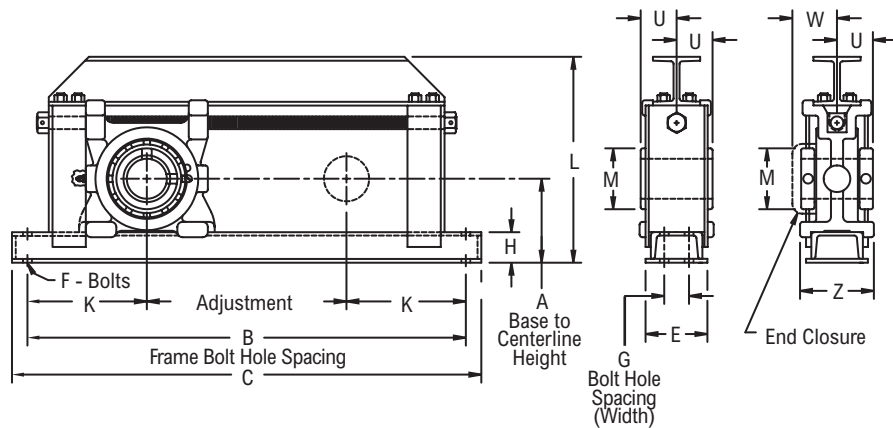
# DSHB22500



Photo Shows a Hinged Top, Extra Strength Welded Steel Conveyor Take-up Frame with Spherical Roller Bearing Take-up Unit

### Product Features

- Extra strength welded steel frame
  - Corrosion-resistant powder coating
  - Cast iron housing
  - Misalignment capabilities - total of 4°
  - Broad range of sealing options
  - Factory set clearance & lubrication
  - Field interchangeable seals
- See Features & Benefits for additional info.



### Bearing Dimensions

| Size Code | Shaft Diameter | Complete Take-up Assembly | Travel Length | A Base to Centerline Height | B Frame Bolt Hole Spacing | G Bolt Hole Spacing (Width) | C      | E     | F   | H     | K     | L        | M       | U       | W       | Z     | Adjust. | Approx. Weight |
|-----------|----------------|---------------------------|---------------|-----------------------------|---------------------------|-----------------------------|--------|-------|-----|-------|-------|----------|---------|---------|---------|-------|---------|----------------|
| B531      | 1 15/16        | DSHB22531H                | 12            | 3 15/16                     | 27 1/2                    | -                           | 29 1/2 | 3 1/2 | 5/8 | 1 3/4 | 7 3/4 | 10 5/8   | 2 7/8   | 1 29/32 | 2 9/32  | 4 1/8 | 12      | 78             |
|           |                |                           | 18            |                             |                           |                             |        |       |     |       |       |          |         |         |         |       | 88      |                |
|           |                |                           | 24            |                             |                           |                             |        |       |     |       |       |          |         |         |         |       | 98      |                |
| B536      | 2 3/16         | DSHB22535H                | 12            | 4 7/16                      | 27 1/2                    | -                           | 29 1/2 | 4 1/2 | 5/8 | 2     | 7 3/4 | 11 1/4   | 3 1/4   | 2 1/16  | 2 7/16  | 5 1/4 | 12      | 83             |
|           |                |                           | 18            |                             |                           |                             |        |       |     |       |       |          |         |         |         |       | 93      |                |
|           |                |                           | 24            |                             |                           |                             |        |       |     |       |       |          |         |         |         |       | 103     |                |
| B540      | 2 7/16         | DSHB22539H                | 12            | 4 5/8                       | 28 1/2                    | -                           | 30 1/2 | 4 1/2 | 3/4 | 2     | 8 1/4 | 12 13/16 | 3 9/16  | 2 3/16  | 2 9/16  | 5 1/4 | 12      | 105            |
|           |                |                           | 18            |                             |                           |                             |        |       |     |       |       |          |         |         |         |       | 118     |                |
|           |                |                           | 24            |                             |                           |                             |        |       |     |       |       |          |         |         |         |       | 132     |                |
| B548      | 2 15/16        | DSHB22547H                | 12            | 5 1/8                       | 30 1/2                    | 2                           | 32 1/2 | 4 1/2 | 5/8 | 2     | 9 1/4 | 13 15/16 | 4 1/16  | 2 7/16  | 2 25/32 | 5 1/4 | 12      | 125            |
|           |                |                           | 18            |                             |                           |                             |        |       |     |       |       |          |         |         |         |       | 140     |                |
|           |                |                           | 24            |                             |                           |                             |        |       |     |       |       |          |         |         |         |       | 155     |                |
|           |                |                           | 30            |                             |                           |                             |        |       |     |       |       |          |         |         |         |       | 170     |                |
|           |                |                           | 36            |                             |                           |                             |        |       |     |       |       |          |         |         |         |       | 185     |                |
| B556      | 3 7/16         | DSHB22555H                | 12            | 5 5/8                       | 32                        | 2                           | 34 1/4 | 4 1/2 | 3/4 | 2     | 10    | 15 1/16  | 4 29/32 | 2 21/32 | 3       | 5 5/8 | 12      | 146            |
|           |                |                           | 18            |                             |                           |                             |        |       |     |       |       |          |         |         |         |       | 162     |                |
|           |                |                           | 24            |                             |                           |                             |        |       |     |       |       |          |         |         |         |       | 178     |                |
|           |                |                           | 30            |                             |                           |                             |        |       |     |       |       |          |         |         |         |       | 194     |                |
|           |                |                           | 36            |                             |                           |                             |        |       |     |       |       |          |         |         |         |       | 210     |                |
| B564      | 3 15/16        | DSHB22563H                | 12            | 7                           | 36                        | 2 1/2                       | 38 1/2 | 5 1/2 | 3/4 | 2 1/4 | 12    | 17 1/16  | 5 5/8   | 3 1/16  | 3 7/16  | 6 7/8 | 12      | 260            |
|           |                |                           | 18            |                             |                           |                             |        |       |     |       |       |          |         |         |         |       | 278     |                |
|           |                |                           | 24            |                             |                           |                             |        |       |     |       |       |          |         |         |         |       | 296     |                |
|           |                |                           | 30            |                             |                           |                             |        |       |     |       |       |          |         |         |         |       | 314     |                |
|           |                |                           | 36            |                             |                           |                             |        |       |     |       |       |          |         |         |         |       | 332     |                |

### Additional Notes

- Please call 1-866-REXNORD for availability
- Lubrication fitting tap size, 1/8" PT
- H labyrinth seals standard
- All size codes available with type E lip seals & E7 triple lip seals
- For the Selection Guide, Load Ratings and Speed Limits, see the Link-Belt Spherical Roller Bearings Engineering section
- Note: Dimensions subject to change. Certified dimensions of ordered material furnished on request.



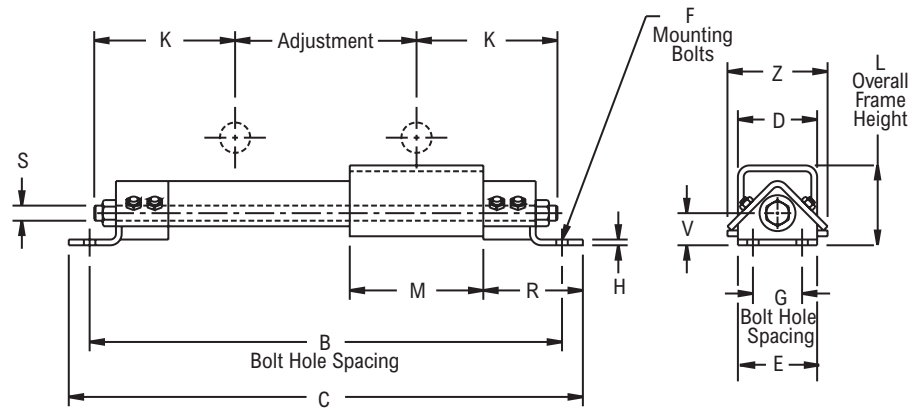
# LHD FRAME



Photo Shows a Protected Screw Type Frame

## Product Features

- Protected screw type frame
- Welded steel frame



## Bearing Dimensions

| Size Code | Available Shaft Sizes     |                 |                             | Part Number | Adjustment Length | B Bolt Hole Spacing | G Bolt Hole Spacing in Width Direction | L Overall Frame Height | C      | D     | E     | F   | H   | K      | M      | R     | S     | V      | Z       | Approx. Weight |
|-----------|---------------------------|-----------------|-----------------------------|-------------|-------------------|---------------------|--|------------------------|--------|-------|-------|-----|-----|--------|--------|-------|-------|--------|---------|----------------|
|           | PB/PKB 22400/22600 Series | PB22500 Series  | EPB22400/22500/22600 Series |             |                   |                     |  |                        |        |       |       |     |     |        |        |       |       |        |         |                |
| LHD20     | 1 3/16-2 1/2              | 1 7/16-2 7/16   | 1 7/16-2 1/2                | LHD2012     | 12                | 29                  | 2 1/2                                  | 5 1/4                  | 31     | 4     | 5     | 5/8 | 1/4 | 8 1/2  | 11     | 4     | 3/4   | 2      | 6 1/4   | 48.00          |
|           |                           |                 |                             | LHD2018     | 18                | 35                  |  |                        | 37     |       |       |     |     |        |        |       |       |        |         | 52.00          |
|           |                           |                 |                             | LHD2024     | 24                | 41                  |  |                        | 43     |       |       |     |     |        |        |       |       |        |         | 56.00          |
|           |                           |                 |                             | LHD2030     | 30                | 47                  |  |                        | 49     |       |       |     |     |        |        |       |       |        |         | 65.00          |
|           |                           |                 |                             | LHD2036     | 36                | 53                  |  |                        | 55     |       |       |     |     |        |        |       |       |        |         | 70.00          |
|           |                           |                 |                             | LHD2048     | 48                | 65                  |  |                        | 67     |       |       |     |     |        |        |       |       |        |         | 81.00          |
| LHD25     | 2 11/16-3                 | 2 11/16-2 15/16 | 2 11/16-3                   | LHD2512     | 12                | 32 3/4              | 3                                      | 6 1/4                  | 35 1/4 | 5     | 5 1/2 | 5/8 | 3/8 | 10 3/8 | 13 1/4 | 5     | 1     | 2 9/16 | 7 1/8   | 81.00          |
|           |                           |                 |                             | LHD2518     | 18                | 38 3/4              |  |                        | 41 1/4 |       |       |     |     |        |        |       |       |        |         | 100.00         |
|           |                           |                 |                             | LHD2524     | 24                | 44 3/4              |  |                        | 47 1/4 |       |       |     |     |        |        |       |       |        |         | 110.00         |
|           |                           |                 |                             | LHD2530     | 30                | 50 3/4              |  |                        | 53 1/4 |       |       |     |     |        |        |       |       |        |         | 115.00         |
|           |                           |                 |                             | LHD2536     | 36                | 56 3/4              |  |                        | 59 1/4 |       |       |     |     |        |        |       |       |        |         | 120.00         |
|           |                           |                 |                             | LHD2548     | 48                | 68 3/4              |  |                        | 71 1/4 |       |       |     |     |        |        |       |       |        |         | 127.00         |
| LHD30     | 3 3/16-3 1/2              | 3 7/16          | -                           | LHD3012     | 12                | 35 1/2              | 3                                      | 7                      | 38 1/4 | 6     | 6 1/2 | 3/4 | 1/2 | 11 3/4 | 14 1/4 | 6     | 1     | 2 1/2  | 9       | 158.00         |
|           |                           |                 |                             | LHD3018     | 18                | 41 1/2              |  |                        | 44 1/4 |       |       |     |     |        |        |       |       |        |         | 162.00         |
|           |                           |                 |                             | LHD3024     | 24                | 47 1/2              |  |                        | 50 1/4 |       |       |     |     |        |        |       |       |        |         | 166.00         |
|           |                           |                 |                             | LHD3030     | 30                | 53 1/2              |  |                        | 56 1/4 |       |       |     |     |        |        |       |       |        |         | 173.00         |
|           |                           |                 |                             | LHD3036     | 36                | 59 1/2              |  |                        | 62 1/4 |       |       |     |     |        |        |       |       |        |         | 183.00         |
|           |                           |                 |                             | LHD3048     | 48                | 71 1/2              |  |                        | 74 1/4 |       |       |     |     |        |        |       |       |        |         | 214.00         |
| LHD35     | 3 11/16-4                 | 3 15/16-4 1/2   | 3 3/16-3 1/2                | LHD3512     | 12                | 37 1/4              | 3                                      | 7                      | 40     | 6     | 6 1/2 | 3/4 | 1/2 | 12 5/8 | 16     | 6     | 1 1/4 | 2 1/2  | 9       | 173.00         |
|           |                           |                 |                             | LHD3518     | 18                | 43 1/4              |  |                        | 46     |       |       |     |     |        |        |       |       |        |         | 190.00         |
|           |                           |                 |                             | LHD3524     | 24                | 49 1/4              |  |                        | 52     |       |       |     |     |        |        |       |       |        |         | 195.00         |
|           |                           |                 |                             | LHD3530     | 30                | 55 1/4              |  |                        | 58     |       |       |     |     |        |        |       |       |        |         | 200.00         |
|           |                           |                 |                             | LHD3536     | 36                | 61 1/4              |  |                        | 64     |       |       |     |     |        |        |       |       |        |         | 210.00         |
|           |                           |                 |                             | LHD3548     | 48                | 73 1/4              |  |                        | 76     |       |       |     |     |        |        |       |       |        |         | 234.00         |
| LHD40     | -                         | 4 15/16-5       | -                           | LHD4012     | 12                | 41 1/4              | 3                                      | 7                      | 44     | 7     | 6 1/2 | 3/4 | 1/2 | 14 5/8 | 20     | 6     | 1 1/2 | 2 1/2  | 9 13/16 | 175.00         |
|           |                           |                 |                             | LHD4018     | 18                | 47 1/4              |  |                        | 50     |       |       |     |     |        |        |       |       |        |         | 220.00         |
|           |                           |                 |                             | LHD4024     | 24                | 53 1/4              |  |                        | 56     |       |       |     |     |        |        |       |       |        |         | 265.00         |
|           |                           |                 |                             | LHD4030     | 30                | 59 1/4              |  |                        | 62     |       |       |     |     |        |        |       |       |        |         | 270.00         |
|           |                           |                 |                             | LHD4036     | 36                | 65 1/4              |  |                        | 68     |       |       |     |     |        |        |       |       |        |         | 290.00         |
|           |                           |                 |                             | LHD4048     | 48                | 77 1/4              |  |                        | 80     |       |       |     |     |        |        |       |       |        |         | 300.00         |
| LHD50     | -                         | -               | -                           | LHD5012     | 12                | 47                  | 4                                      | 7 3/4                  | 49 1/2 | 8 1/2 | 7     | 7/8 | 1/2 | 17 1/2 | 23 1/2 | 6 3/4 | 1 1/2 | 3 3/8  | 11 1/4  | 290.00         |
|           |                           |                 |                             | LHD5018     | 18                | 53                  |  |                        | 55 1/2 |       |       |     |     |        |        |       |       |        |         | 300.00         |
|           |                           |                 |                             | LHD5024     | 24                | 59                  |  |                        | 61 1/2 |       |       |     |     |        |        |       |       |        |         | 325.00         |
|           |                           |                 |                             | LHD5030     | 30                | 65                  |  |                        | 67 1/2 |       |       |     |     |        |        |       |       |        |         | 330.00         |
|           |                           |                 |                             | LHD5036     | 36                | 71                  |  |                        | 73 1/2 |       |       |     |     |        |        |       |       |        |         | 350.00         |
|           |                           |                 |                             | LHD5048     | 48                | 83                  |  |                        | 85 1/2 |       |       |     |     |        |        |       |       |        |         | 360.00         |

## Additional Notes

- Please call 1-866-REXNORD for availability
- Note: Dimensions subject to change. Certified dimensions of ordered material furnished on request.



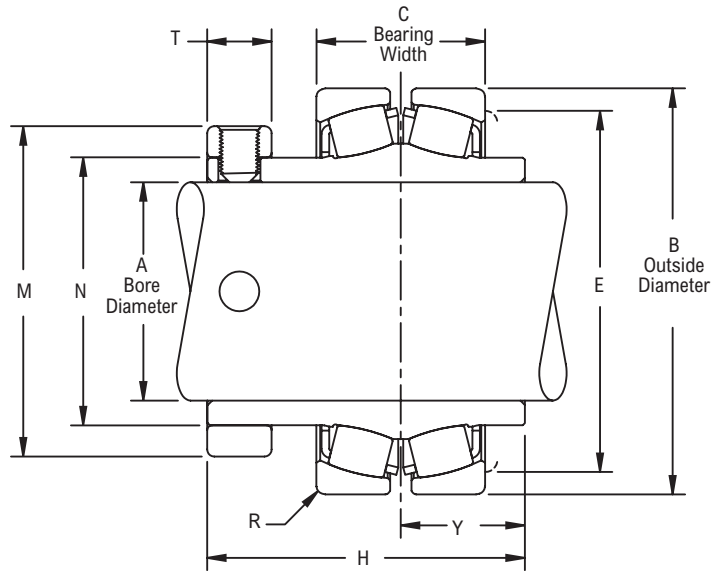
# B400L



Photo Shows an Unmounted Spherical Roller Bearing Unit

## Product Features

- Hardened spring locking collar
- Self aligning
- See Features & Benefits for additional info.



## Bearing Dimensions

| Size Code | Shaft Diameter | Part Number   | A Bore Diameter | B Outside Diameter | C Bearing Width | E       | H      | M      | N      | R     | T     | Y       | Approx. Weight |
|-----------|----------------|---------------|-----------------|--------------------|-----------------|---------|--------|--------|--------|-------|-------|---------|----------------|
| B416      | 1              | B416L         | 1.0000          | 2.3750             | 1.1880          | 2       | 2.56   | 1.75   | 1.307  | 0.046 | 1/2   | 1       | 1.30           |
|           | 25.00          | <b>B4M25L</b> | 25.0000         | 60.3250            | 30.1800         | 50.80   | 65.09  | 44.40  | 33.200 | 1.170 | 12.70 | 25.40   | 0.60           |
| B420      | 1 3/16         | B419L         | 1.1875          | 2.6250             | 1.3120          | 2 5/16  | 2.69   | 1.97   | 1.532  | 0.062 | 1/2   | 1 1/16  | 1.80           |
|           | 1 1/4          | B420L         | 1.2500          |                    |                 |         |        |        |        |       |       |         |                |
| B424      | 30.00          | <b>B4M30L</b> | 30.0000         | 66.6750            | 33.3200         | 58.70   | 68.26  | 50.00  | 38.910 | 1.570 | 12.70 | 26.99   | 0.80           |
|           | 1 7/16         | B423L         | 1.4375          | 2.8345             | 1.3100          | 2 1/2   | 2.88   | 2.31   | 1.745  | 0.062 | 5/8   | 1 3/32  | 2.20           |
| 1 1/2     | B424L          | 1.5000        |                 |                    |                 |         |        |        |        |       |       |         |                |
| B428      | 35.00          | <b>B4M35L</b> | 35.0000         | 72.0000            | 33.2700         | 63.50   | 73.02  | 58.70  | 44.320 | 1.570 | 15.90 | 27.78   | 1.00           |
|           | 1 1/2          | B4B24L        | 1.5000          | 3.3464             | 1.5780          | 2 7/8   | 3.13   | 2.59   | 2.027  | 0.062 | 5/8   | 1 7/32  | 3.20           |
| 1 5/8     | B426L          | 1.6250        |                 |                    |                 |         |        |        |        |       |       |         |                |
| 1 11/16   | B427L          | 1.6875        |                 |                    |                 |         |        |        |        |       |       |         |                |
| 1 3/4     | B428L          | 1.7500        |                 |                    |                 |         |        |        |        |       |       |         |                |
| B432      | 40.00          | <b>B4M40L</b> | 40.0000         | 85.0000            | 40.0800         | 73.00   | 79.38  | 65.90  | 51.480 | 1.570 | 15.90 | 30.96   | 1.40           |
|           | 1 3/4          | B4B28L        | 1.7500          | 3.5433             | 1.5260          | 3 3/16  | 3.13   | 2.88   | 2.307  | 0.078 | 5/8   | 1 7/32  | 3.30           |
| 1 15/16   | B431L          | 1.9375        |                 |                    |                 |         |        |        |        |       |       |         |                |
| 2         | B432L          | 2.0000        |                 |                    |                 |         |        |        |        |       |       |         |                |
| 45.00     | <b>B4M45L</b>  | 45.0000       |                 |                    |                 |         |        |        |        |       |       |         |                |
| B436      | 50.00          | <b>B4M50L</b> | 50.0000         | 90.0000            | 38.7600         | 81.00   | 79.38  | 73.00  | 58.590 | 1.980 | 15.90 | 30.96   | 1.50           |
|           | 2 3/16         | B435L         | 2.1875          | 3.9370             | 1.6560          | 3 1/2   | 3.31   | 3.25   | 2.620  | 0.062 | 3/4   | 1 1/4   | 4.60           |
| 2 1/4     | B436L          | 2.2500        |                 |                    |                 |         |        |        |        |       |       |         |                |
| B440      | 55.00          | <b>B4M55L</b> | 55.0000         | 100.0000           | 42.0600         | 88.90   | 84.14  | 82.60  | 66.550 | 1.570 | 19.00 | 31.75   | 2.10           |
|           | 2 1/4          | B4B36L        | 2.2500          | 4.3307             | 1.7500          | 3 7/8   | 3.50   | 3.56   | 2.901  | 0.078 | 13/16 | 1 5/16  | 5.80           |
| 2 7/16    | B439L          | 2.4375        |                 |                    |                 |         |        |        |        |       |       |         |                |
| 2 1/2     | B440L          | 2.5000        |                 |                    |                 |         |        |        |        |       |       |         |                |
| 60.00     | <b>B4M60L</b>  | 60.0000       |                 |                    |                 |         |        |        |        |       |       |         |                |
| B448      | 65.00          | <b>B4M65L</b> | 65.0000         | 110.0000           | 44.4500         | 98.40   | 88.90  | 90.50  | 73.690 | 1.980 | 20.60 | 33.34   | 2.60           |
|           | 2 11/16        | B443L         | 2.6875          |                    |                 |         |        |        |        |       |       |         |                |
| B456      | 2 3/4          | B444L         | 2.7500          | 5.1172             | 2.1250          | 4 17/32 | 4.00   | 4.06   | 3.370  | 0.078 | 13/16 | 1 9/16  | 9.50           |
|           | 2 15/16        | B447L         | 2.9375          |                    |                 |         |        |        |        |       |       |         |                |
| 3         | B448L          | 3.0000        |                 |                    |                 |         |        |        |        |       |       |         |                |
| 70.00     | <b>B4M70L</b>  | 70.0000       |                 |                    |                 |         |        |        |        |       |       |         |                |
| B456      | 75.00          | <b>B4M75L</b> | 75.0000         | 130.0000           | 53.9800         | 115.10  | 101.60 | 103.20 | 85.600 | 1.980 | 20.60 | 39.69   | 4.30           |
|           | 3 3/16         | B451L         | 3.1875          | 5.9045             | 2.3130          | 5 11/32 | 4.38   | 4.91   | 3.975  | 0.125 | 27/32 | 1 23/32 | 13.50          |
| 3 7/16    | B455L          | 3.4375        |                 |                    |                 |         |        |        |        |       |       |         |                |

Continued...

Continued...

**Bearing Dimensions**

| Size Code | Shaft Diameter | Part Number | A Bore Diameter | B Outside Diameter | C Bearing Width | E       | H      | M      | N       | R     | T     | Y       | Approx. Weight |
|-----------|----------------|-------------|-----------------|--------------------|-----------------|---------|--------|--------|---------|-------|-------|---------|----------------|
| B456      | 3 1/2          | B456L       | 3.5000          | 5.9045             | 2.3130          | 5 11/32 | 4.38   | 4.91   | 3.975   | 0.125 | 27/32 | 1 23/32 | 13.50          |
|           | 80.00          | B4M80L      | 80.0000         | 149.9740           | 58.7500         | 135.70  | 111.12 | 124.60 | 100.970 | 3.180 | 21.40 | 43.66   | 6.10           |
| B464      | 85.00          | B4M85L      | 85.0000         | 7.0856             | 2.7500          | 6 3/8   | 5.06   | 5.63   | 4.561   | 0.125 | 31/32 | 2       | 24.00          |
|           | 3 11/16        | B459L       | 3.6875          |                    |                 |         |        |        |         |       |       |         |                |
|           | 3 15/16        | B463L       | 3.9375          |                    |                 |         |        |        |         |       |       |         |                |
|           | 4              | B464L       | 4.0000          |                    |                 |         |        |        |         |       |       |         |                |
|           | 90.00          | B4M90L      | 90.0000         | 179.9740           | 69.8500         | 161.90  | 128.59 | 142.90 | 115.850 | 3.180 | 24.60 | 50.80   | 10.80          |
|           | 100.00         | B4M100L     | 100.0000        |                    |                 |         |        |        |         |       |       |         |                |

**Additional Notes**

Please call 1-866-REXNORD for availability  
 Bearing O.D. tolerance, +.001 in/-.000 in (+0.025 mm/-0.000 mm)  
 Bore tolerance, +.0010 in/-.0000 in (+0.025 mm/-0.000 mm)  
 Bearing width tolerance, +/- .025 in (+/-0.64 mm)  
 Housing must allow clearance for this adjustment on dimension "C"  
 For the Selection Guide, Load Ratings and Speed Limits, see the Link-Belt Spherical Roller Bearings Engineering section

Note: Dimensions subject to change. Certified dimensions of ordered material furnished on request.

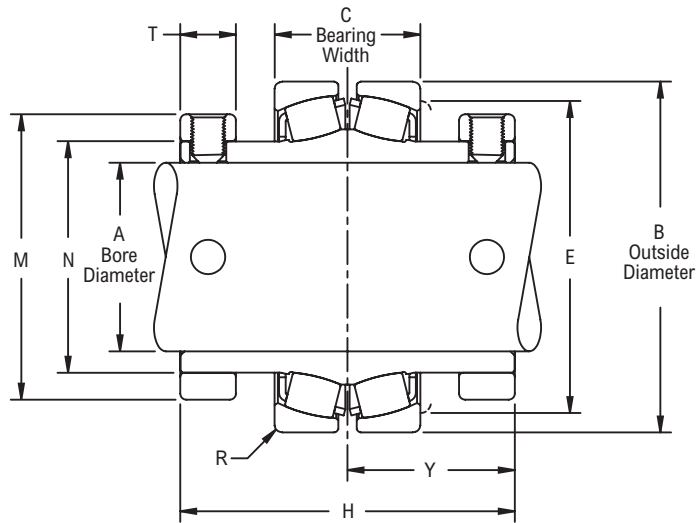
# B500L



Photo Shows an Unmounted Spherical Roller Bearing Unit

## Product Features

- Two hardened spring locking collars
- Self aligning
- See Features & Benefits for additional info.



## Bearing Dimensions

| Size Code | Shaft Diameter | Part Number | A Bore Diameter | B Outside Diameter | C Bearing Width | E       | H      | M      | N       | R     | T      | Y       | Approx. Weight |
|-----------|----------------|-------------|-----------------|--------------------|-----------------|---------|--------|--------|---------|-------|--------|---------|----------------|
| B524      | 1 7/16         | B523L       | 1.4375          | 2.8345             | 1.3100          | 2 1/2   | 3.56   | 2.31   | 1.745   | 0.062 | 5/8    | 1 25/32 | 2.40           |
| B528      | 1 11/16        | B527L       | 1.6875          | 3.3464             | 1.5780          | 2 7/8   | 3.81   | 2.59   | 2.027   | 0.062 | 5/8    | 1 29/32 | 3.50           |
| B531      | 1 15/16        | B531L       | 1.9375          | 3.5433             | 1.5260          | 3 3/16  | 3.81   | 2.88   | 2.307   | 0.078 | 5/8    | 1 29/32 | 3.80           |
| B536      | 2              | B532L       | 2.0000          | 3.9370             | 1.6560          | 3 1/2   | 4.13   | 3.25   | 2.620   | 0.062 | 3/4    | 2 1/16  | 6.00           |
|           | 2 3/16         | B535L       | 2.1875          |                    |                 |         |        |        |         |       |        |         |                |
| B540      | 2 7/16         | B539L       | 2.4375          | 4.3307             | 1.7500          | 3 7/8   | 4.38   | 3.56   | 2.901   | 0.078 | 13/16  | 2 3/16  | 7.20           |
| B548      | 2 11/16        | B543L       | 2.6875          | 5.1172             | 2.1250          | 4 17/32 | 4.88   | 4.06   | 3.370   | 0.078 | 13/16  | 2 7/16  | 11.10          |
|           | 2 15/16        | B547L       | 2.9375          |                    |                 |         |        |        |         |       |        |         |                |
| B556      | 3 7/16         | B555L       | 3.4375          | 5.9045             | 2.3130          | 5 11/32 | 5.31   | 4.91   | 3.975   | 0.125 | 27/32  | 2 21/32 | 15.70          |
| B564      | 3 15/16        | B563L       | 3.9375          | 7.0856             | 2.7500          | 6 3/8   | 6.13   | 5.63   | 4.561   | 0.125 | 31/32  | 3 1/16  | 26.70          |
|           | 4              | B564L       | 4.0000          |                    |                 |         |        |        |         |       |        |         |                |
| B572      | 4 3/16         | B567YL      | 4.1875          | 7.6815             | -               | -       | 6.25   | 6.19   | 5.032   | 0.145 | 1      | 3 1/8   | 37.00          |
|           | 4 7/16         | B571YL      | 4.4375          |                    |                 |         |        |        |         |       |        |         |                |
|           | 4 1/2          | B572YL      | 4.5000          |                    |                 |         |        |        |         |       |        |         |                |
|           | 110.00         | B5M110YL    | 110.0000        |                    |                 |         |        |        |         |       |        |         |                |
|           | 115.00         | B5M115YL    | 115.0000        | 195.1101           | -               | -       | 158.75 | 157.23 | 127.813 | 3.683 | 25.40  | 79.38   | 16.70          |
| B580      | 4 15/16        | B579YL      | 4.9375          | 9.0574             | -               | -       | 7.88   | 7.04   | 5.750   | 0.145 | 1 1/16 | 3 15/16 | 41.20          |
|           | 5              | B580YL      | 5.0000          |                    |                 |         |        |        |         |       |        |         |                |
|           | 125.00         | B5M125YL    | 125.0000        |                    |                 |         |        |        |         |       |        |         |                |

## Additional Notes

- Please call 1-866-REXNORD for availability
- Bearing O.D. tolerance, +.001 in/-.000 in(+0.025 mm/-0.000 mm)
- Bore tolerance, +.0010 in/-.0000 in(+0.025 mm/-0.000 mm)
- Bearing width tolerance, +/-0.025 in (+/-0.64 mm)
- Housing must allow clearance for this adjustment on dimension "C"
- For the Selection Guide, Load Ratings and Speed Limits, see the Link-Belt Spherical Roller Bearings Engineering section

Note: Dimensions subject to change. Certified dimensions of ordered material furnished on request.

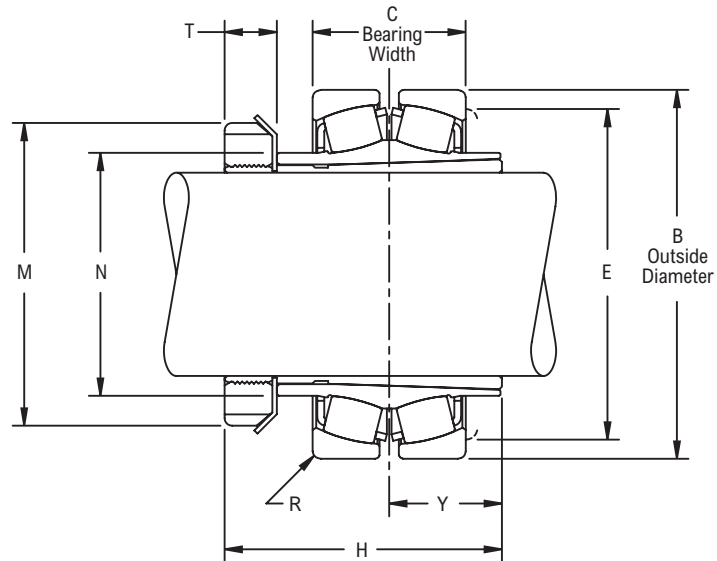
## B600L



Photo Shows an Unmounted Spherical Roller Bearing Unit

### Product Features

- Enhanced life mounting style
- Self aligning
- See Features & Benefits for additional info.



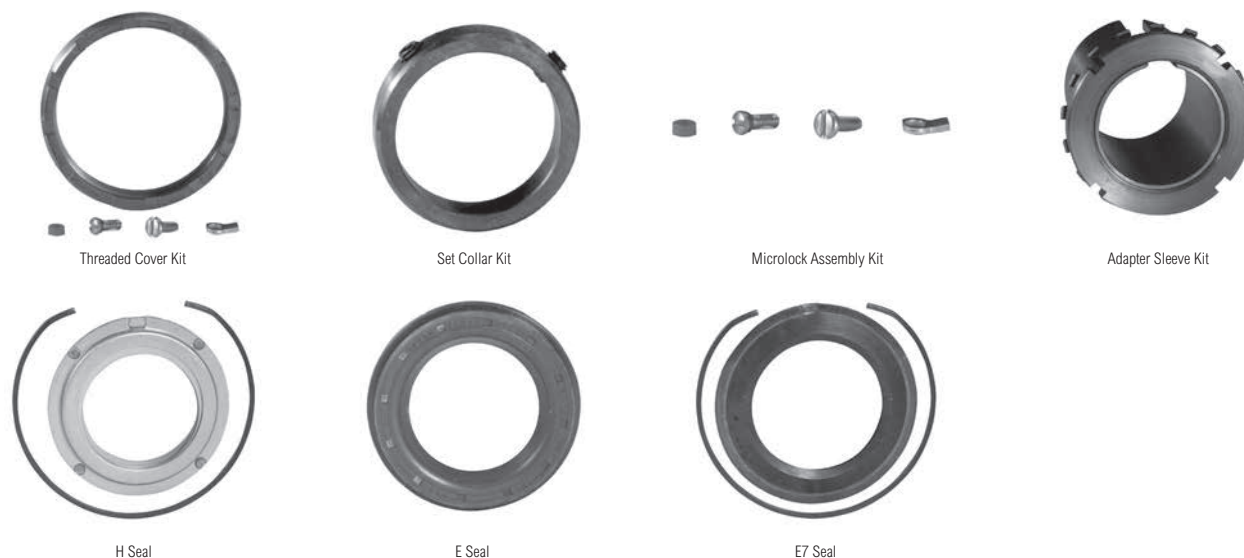
### Bearing Dimensions

| Size Code | Shaft Diameter                  | Part Number | B Outside Diameter | C Bearing Width | E                               | H    | M                               | N     | R     | T                             | Y                               | Approx. Weight |
|-----------|---------------------------------|-------------|--------------------|-----------------|---------------------------------|------|---------------------------------|-------|-------|-------------------------------|---------------------------------|----------------|
| B624      | 1 <sup>7</sup> / <sub>16</sub>  | B623L       | 2.8345             | 1.3100          | 2 <sup>1</sup> / <sub>2</sub>   | 2.71 | 2 <sup>1</sup> / <sub>4</sub>   | 1.745 | 0.062 | <sup>1</sup> / <sub>2</sub>   | 1 <sup>3</sup> / <sub>32</sub>  | 2.10           |
| B631      | 1 <sup>15</sup> / <sub>16</sub> | B631L       | 3.5433             | 1.5260          | 3 <sup>3</sup> / <sub>16</sub>  | 3.08 | 2 <sup>31</sup> / <sub>32</sub> | 2.307 | 0.078 | <sup>9</sup> / <sub>16</sub>  | 1 <sup>7</sup> / <sub>32</sub>  | 3.30           |
| B635      | 2 <sup>3</sup> / <sub>16</sub>  | B635L       | 3.9370             | 1.6560          | 3 <sup>1</sup> / <sub>2</sub>   | 3.16 | 3 <sup>5</sup> / <sub>32</sub>  | 2.620 | 0.062 | <sup>19</sup> / <sub>32</sub> | 1 <sup>1</sup> / <sub>4</sub>   | 4.50           |
| B639      | 2 <sup>7</sup> / <sub>16</sub>  | B639L       | 4.3307             | 1.7500          | 3 <sup>7</sup> / <sub>8</sub>   | 3.36 | 3 <sup>5</sup> / <sub>8</sub>   | 2.901 | 0.078 | <sup>5</sup> / <sub>8</sub>   | 1 <sup>5</sup> / <sub>16</sub>  | 5.90           |
| B647      | 2 <sup>11</sup> / <sub>16</sub> | B643L       | 5.1172             | 2.1250          | 4 <sup>17</sup> / <sub>32</sub> | 3.86 | 4 <sup>5</sup> / <sub>32</sub>  | 3.370 | 0.078 | <sup>43</sup> / <sub>64</sub> | 1 <sup>9</sup> / <sub>16</sub>  | 9.50           |
|           | 2 <sup>15</sup> / <sub>16</sub> | B647L       |                    |                 |                                 |      |                                 |       |       |                               |                                 |                |
| B655      | 3 <sup>7</sup> / <sub>16</sub>  | B655L       | 5.9045             | 2.3130          | 5 <sup>11</sup> / <sub>32</sub> | 4.31 | 4 <sup>15</sup> / <sub>16</sub> | 3.975 | 0.125 | <sup>51</sup> / <sub>64</sub> | 1 <sup>23</sup> / <sub>32</sub> | 12.80          |
| B663      | 3 <sup>15</sup> / <sub>16</sub> | B663L       | 7.0856             | 2.7500          | 6 <sup>3</sup> / <sub>8</sub>   | 4.94 | 5 <sup>7</sup> / <sub>16</sub>  | 4.561 | 0.125 | <sup>55</sup> / <sub>64</sub> | 2                               | 23.20          |

### Additional Notes

- Please call 1-866-REXNORD for availability
- Dimension for "H" based on unmounted condition
- Bearing O.D. tolerance, +.001 in/-.000 in (**+0.025 mm/-0.000 mm**)
- Bore tolerance, +.0010 in/-.0000 in (**+0.025 mm/-0.000 mm**)
- Bearing width tolerance, +/- .025 in (**+/-0.64 mm**)
- Housing must allow clearance for this adjustment on dimension "C"
- For the Selection Guide, Load Ratings and Speed Limits, see the Link-Belt Spherical Roller Bearings Engineering section

Note: Dimensions subject to change. Certified dimensions of ordered material furnished on request.



### Bearing Dimensions

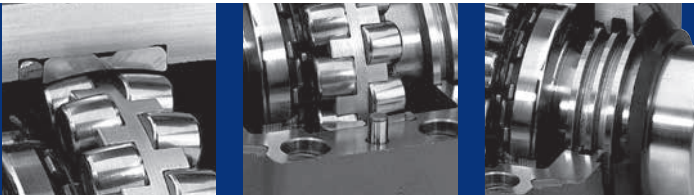
| Size Code            | H       | E       | E7       | Threaded Cover Kit | Set Collar Kit | Microlock Assembly Kit | Adapter Assembly Kit |
|----------------------|---------|---------|----------|--------------------|----------------|------------------------|----------------------|
| B416                 | B417HS  | B417ES  | -        | B417TC             | B417SC         | B436MLK*               | -                    |
| B420                 | B420HS  | B420ES  | B420E7S  | B420TC             | B420SC         | B436MLK*               | -                    |
| B424<br>B524<br>B624 | B424HS  | B424ES  | B424E7S  | B424TC             | B424SC         | B436MLK*               | SNW623               |
| B428<br>B528         | B428HS  | B428ES  | B428E7S  | B428TC             | B428SC         | B436MLK*               | -                    |
| B432<br>B531<br>B631 | B432HS  | B432ES  | B432E7S  | B432TC             | B432SC         | B436MLK*               | SNW631               |
| B436<br>B536<br>B635 | B436HS  | B436ES  | B436E7S  | B436TC             | B436SC         | B436MLK*               | SNW635               |
| B440<br>B540<br>B639 | B440HS  | B440ES  | B440E7S  | B440TC             | B440SC         | B448MLK▶               | SNW639               |
| B448<br>B548<br>B647 | B448HS  | B448ES  | B448E7S  | B448TC             | B448SC         | B448MLK▶               | SNW647               |
| B456<br>B556<br>B655 | B456HS  | B456ES  | B456E7S  | B456TC             | B456SC         | B580MLK◇               | SNW655               |
| B464<br>B564<br>B663 | B464HS  | B464ES  | B464E7S  | B464TC             | B464SC         | B580MLK◇               | SNW663               |
| B572                 | B572YHS | B572YES | B572YE7S | B572YTC            | B572Y5S        | B580YMLK◇              | -                    |
| B580                 | B580YHS | B580YES | B580YE7S | B580YTC            | B580Y5S        | B580YMLK◇              | -                    |

### Additional Notes

- \* CB cartridge blocks in these size codes require B436MLK1 Microlock Kit
- ▶ CB cartridge blocks in these size codes require B456MLK Microlock Kit
- ◇ CB cartridge blocks in these size codes require B572MLK Microlock Kit







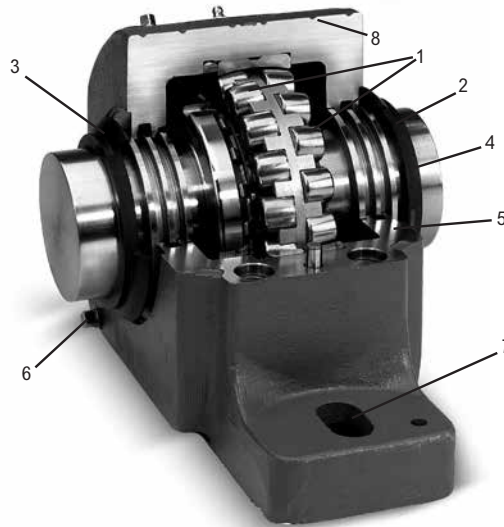
#### Industries Served

Mining  
Forest Products  
Aggregates  
Steel  
Air Handling  
Construction  
Package Handling  
Waste Water Treatment

## Link-Belt Series 6600, 6800, 6900, 7600, 7800, 7900, 22300, 22600 Spherical Roller Bearing

Self-aligning spherical roller bearing pillow blocks and take-ups provide high load carrying capacity for radial or combination radial and thrust loads.

They are designed for use on conveyors, dryers, road building equipment, runout tables, fans, crushers, hammermills and many other high-precision, heavy-duty applications.



### 1. Direct or Adapter Mounting

Spherical roller bearings may be direct or adapter mounted. Housings have provision for fixed or expansion mounting.

### 2. Choice of Seals

Type R multilabyrinth, D5 Pentac®, or Type D8 independently flushable seals — effectively retain lubricant and exclude contaminants.

### 3. Removable Housing Cap

Facilitates bearing mounting, inspection and maintenance.

### 4. Mating Surfaces are Machined

Caps and bases matched and marked.

### 5. Base and Cap are Dowelled for Accurate Assembly and Security

### 6. Oil or Grease Lubrication Ready

Large lubricant reservoir in base prolongs lubrication interval.

### 7. Slotted Bolt Holes

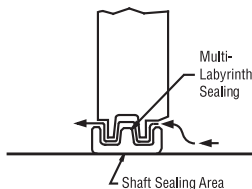
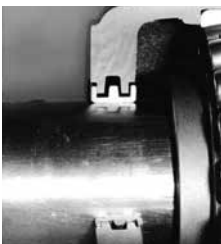
Slotted bolt holes in base facilitate mounting; machined finish on base for firm seating on supporting surface. Pry slots for easy cap removal.

### 8. Dimpled Flats for Bearing Monitor Probes

# A Seal Choice for Every Environment

## Metal Triple-Ring R Seal

This industry standard seal provides a labyrinth grease chamber between the housing grooves and the seal rings. Operates at high speed; good for moderate dust, dirt or moisture.

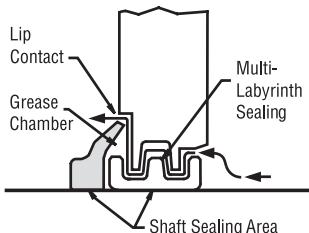
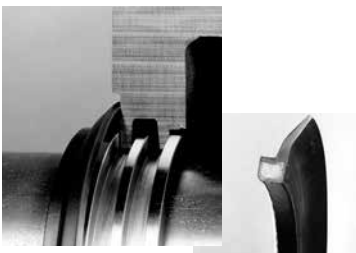


## D5 PenTac 5-Point Sealing System

Rugged contact lip seal, molded on a Kevlar® body, rotates with the shaft. The PenTac seal acts as a flinger, keeping debris away from the seal area, and provides five seal points.

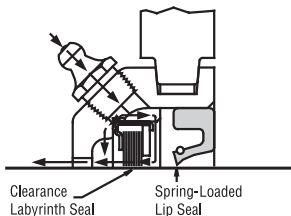
### D5 PenTac 5-Point Sealing System

- 1 - Seals shaft
- 2 - Seals housing
- 3 - Creates a grease chamber to prevent bearing contamination
- 4 - Acts as a flinger
- 5 - Grease chambers created by multi-labyrinth chamber



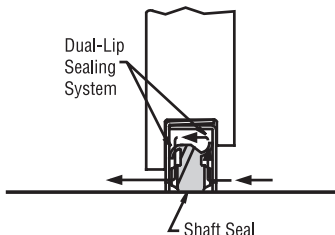
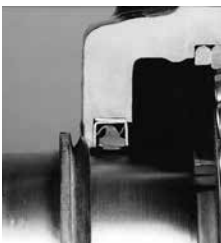
## D8 Taconite Sealing System

A rugged cast carrier protects a metal labyrinth outboard seal and a spring-loaded inboard seal. When independently lubricated, the D8 system directs the grease between the two seals, purging all contaminants before they can reach the bearing chamber. Thousands are in use in the toughest applications worldwide.



## Exclusive T Water Seal

Available on special order, this patented seal was developed for use on equipment which experiences constant water splash or frequent wash down. The unique T-shaped lip seal rides in a stainless steel carrier and rotates with the shaft. It seals the shaft and its one-way, double-contact lips allow for grease purge from the bearing chamber, but prevent the reverse flow of water or debris. Link Belt's T seal is the standard in the environmental equipment industry. Link Belt Bearing offers Pillow Blocks with special features for severe wash down environments. Black Rilsan Nylon 11 coated housings, stainless steel hardware and end caps or solid closed end housings, and the patented T contact water seal are the standard features of the BP-LB6800 series. Units may be further modified to meet specific needs.



## Seal Comparison

|                   | Triple Ring R Seal | PenTac® D5 Seal | Taconite D8 Seal | Wash Down T Seal |
|-------------------|--------------------|-----------------|------------------|------------------|
| <b>Dirt/Dust</b>  | X                  | XX              | XXX              | X                |
| <b>Speed</b>      | XXX                | XX              | X                | XX               |
| <b>Wash Downs</b> | X                  | XX              | XX               | XXX              |
|                   | X Good             | XX Better       | XXX Best         |                  |

| Shaft    | Part Number |
|----------|-------------|
| 1 7/16"  | BP-LB6823   |
| 2 3/16"  | BP-LB6835*  |
| 2 7/16"  | BP-LB6839*  |
| 2 11/16" | BP-LB6843*  |
| 2 15/16" | BP-LB6847*  |
| 3 3/16"  | BP-LB6851*  |
| 3 15/16" | BP-LB6863F  |
| 4 1/2"   | BP-LB6872F  |
| 4 15/16" | BP-LB6879F  |

\*For four-bolt base add suffix "F"

Unit with one side solid cast closed, add "C" suffix.

## 6600, 6800, 6900, 7600, 7800, 7900 Nomenclature

| Symbol | Description  | P | E | LB | 79 | 65 | F | B | C | -T2/ | 3 |
|--------|--|---|---|----|----|----|---|---|---|------|---|
| BP     | Pillow block; two-piece; black Rilsan nylon II coated                    |   |   |    |    |    |   |   |   |      |   |
| P      | Pillow block; two-piece  |   |   |    |    |    |   |   |   |      |   |
| PK     | Pillow block; two-piece cast steel housing<br>(66, 68, 76 and 78 series) |   |   |    |    |    |   |   |   |      |   |
| DS     | Takeup, welded steel frame, hinged top                                   |   |   |    |    |    |   |   |   |      |   |
| E      | Expansion Mounting   |   |   |    |    |    |   |   |   |      |   |
| LB     | Spherical roller bearing   |   |   |    |    |    |   |   |   |      |   |
| 66     | Adapter mounted with 23000LBK bearing                                    |   |   |    |    |    |   |   |   |      |   |
| 68     | Adapter mounted with 22200LBK bearing                                    |   |   |    |    |    |   |   |   |      |   |
| 69     | Adapter mounted with 22300LBK bearing                                    |   |   |    |    |    |   |   |   |      |   |
| 76     | Direct shaft mounted with 23000LB bearing                                |   |   |    |    |    |   |   |   |      |   |
| 78     | Direct shaft mounted with 22200LB bearing                                |   |   |    |    |    |   |   |   |      |   |
| 79     | Direct shaft mounted with 22300LB bearing                                |   |   |    |    |    |   |   |   |      |   |
| M      | Metric bore adapter mount  |   |   |    |    |    |   |   |   |      |   |
| 39     | Shaft diameter in 16ths of an inch — adapter mounted                     |   |   |    |    |    |   |   |   |      |   |
| 65     | Inner ring bore in millimeters — direct shaft mounted                    |   |   |    |    |    |   |   |   |      |   |
| 60     | Shaft diameter in millimeters — adapter mounted                          |   |   |    |    |    |   |   |   |      |   |
| F      | Four bolt base pillow block  |   |   |    |    |    |   |   |   |      |   |
| None   | "T" Water seals  |   |   |    |    |    |   |   |   |      |   |
| D5     | Pentac™ 5-point seals  |   |   |    |    |    |   |   |   |      |   |
| D8     | Independently flushable seal   |   |   |    |    |    |   |   |   |      |   |
| B      | Felt contact seal  |   |   |    |    |    |   |   |   |      |   |
| R      | Multi-labyrinth seal   |   |   |    |    |    |   |   |   |      |   |
| C      | Closed end unit  |   |   |    |    |    |   |   |   |      |   |
| T2     | Locknut and washer included (76, 78, 79 series)                          |   |   |    |    |    |   |   |   |      |   |
| 2      | Internal clearance less than C0  |   |   |    |    |    |   |   |   |      |   |
| 0      | Basic C0 internal clearance  |   |   |    |    |    |   |   |   |      |   |
| None   | Internal clearance greater than C0 (standard)                            |   |   |    |    |    |   |   |   |      |   |
| 4      | Internal clearance greater than C3                                       |   |   |    |    |    |   |   |   |      |   |
| 12     | Takeup adjustment, inches  |   |   |    |    |    |   |   |   |      |   |

## SAF22600, SAF22300 Nomenclature

| Symbol | Description   | F     | SAF   | 226   | 17    | -215 / |
|--------|---|-------|-------|-------|-------|--------|
| F      | Four bolt base  | _____ | _____ | _____ | _____ | _____  |
| SAF    | Pillow block; two-piece; inch series; labyrinth seal                              | _____ | _____ | _____ | _____ | _____  |
| None   | Gray Iron   | _____ | _____ | _____ | _____ | _____  |
| S      | Cast Steel  | _____ | _____ | _____ | _____ | _____  |
| None   | Fixed Unit — Furnish with spacer ring   | _____ | _____ | _____ | _____ | _____  |
| E      | Expansion Unit  | _____ | _____ | _____ | _____ | _____  |
| 223    | Direct shaft mounted with 22300LB spherical roller bearing                        | _____ | _____ | _____ | _____ | _____  |
| 226    | Adapter mounted with 22300LBK spherical roller bearing                            | _____ | _____ | _____ | _____ | _____  |
| 17     | One-fifth bearing bore diameter in mm   | _____ | _____ | _____ | _____ | _____  |
| C      | Closed end unit   | _____ | _____ | _____ | _____ | _____  |
| T      | Lockwasher and locknut NOT INCLUDED (22300 Series)                                | _____ | _____ | _____ | _____ | _____  |
| None   | Direct shaft mounted shaft size   | _____ | _____ | _____ | _____ | _____  |
| 215    | Adapter mounted shaft size in inch and 1/16, i.e., 215 is 2 15/16 inch shaft size | _____ | _____ | _____ | _____ | _____  |
| 2      | Internal clearance less than C0   | _____ | _____ | _____ | _____ | _____  |
| 0      | Basic internal clearance  | _____ | _____ | _____ | _____ | _____  |
| None   | Internal clearance greater than C0 (standard)                                     | _____ | _____ | _____ | _____ | _____  |
| 4      | Internal clearance greater than C3  | _____ | _____ | _____ | _____ | _____  |

## Large Bore Nomenclature

| Symbol | Description  | P     | LB    | 222   | 44    | K     | C     | 71516 |
|--------|--|-------|-------|-------|-------|-------|-------|-------|
| P      | Pillow block; two piece                            | _____ | _____ | _____ | _____ | _____ | _____ | _____ |
| PK     | Pillow block; two piece cast steel                 | _____ | _____ | _____ | _____ | _____ | _____ | _____ |
| LB     | Spherical Roller Bearing                           | _____ | _____ | _____ | _____ | _____ | _____ | _____ |
| 222    | Direct shaft mounted with 22200LB bearing          | _____ | _____ | _____ | _____ | _____ | _____ | _____ |
| 223    | Direct shaft mounted with 22300LB bearing          | _____ | _____ | _____ | _____ | _____ | _____ | _____ |
| 225    | Adapter mounted with 22200LBK bearing              | _____ | _____ | _____ | _____ | _____ | _____ | _____ |
| 226    | Adapter mounted with 22300LBK bearing              | _____ | _____ | _____ | _____ | _____ | _____ | _____ |
| 230    | Adapter or direct shaft mounted with 23000 bearing | _____ | _____ | _____ | _____ | _____ | _____ | _____ |
| 231    | Adapter or direct shaft mounted with 23100 bearing | _____ | _____ | _____ | _____ | _____ | _____ | _____ |
| 232    | Adapter or direct shaft mounted with 23200 bearing | _____ | _____ | _____ | _____ | _____ | _____ | _____ |
| 44     | One-fifth bearing bore diameter in mm              | _____ | _____ | _____ | _____ | _____ | _____ | _____ |
| K      | Tapered bore bearing                               | _____ | _____ | _____ | _____ | _____ | _____ | _____ |
| C      | End closure  | _____ | _____ | _____ | _____ | _____ | _____ | _____ |
| 71516  | 7 15/16" – shaft size                              | _____ | _____ | _____ | _____ | _____ | _____ | _____ |

## Seal Rating Guide

| Application Conditions              | Seal Ratings       |                             |                               |                 |
|-------------------------------------|--------------------|-----------------------------|-------------------------------|-----------------|
|                                     | LER Clearance<br>R | PenTac Sealing System<br>D5 | Taconite Sealing System<br>D8 | Water Seal<br>T |
| <b>Shaft position</b>               |                    |                             |                               |                 |
| Horizontal Shaft                    | 4                  | 4                           | 4                             | 4               |
| Vertical Shaft                      | 1                  | 4                           | 4                             | 4               |
| <b>Operating Temperature</b>        |                    |                             |                               |                 |
| Below -40°F                         | 4                  | 1                           | 1                             | 1               |
| -40°F to 0°F                        | 4                  | 3                           | 3                             | 3               |
| 0°F to +250°F                       | 4                  | 4                           | 4                             | 4               |
| +250°F to +400°F                    | 4                  | 0                           | 0                             | 0               |
| Over 400°F                          | 4                  | 0                           | 0                             | 0               |
| <b>Speed</b>                        |                    |                             |                               |                 |
| Equal to / Less than limit in chart | 4                  | 4                           | 4                             | 4               |
| More than limit in chart            | 4                  | 1                           | 1                             | 1               |
| <b>Vibration/Shock</b>              |                    |                             |                               |                 |
| Occasional - Mild                   | 3                  | 4                           | 4                             | 4               |
| Occasional - Severe                 | 2                  | 4                           | 4                             | 4               |
| Continuous - Mild                   | 1                  | 3                           | 3                             | 3               |
| Continuous - Severe                 | 0                  | 3                           | 3                             | 3               |
| <b>Abrasive Material</b>            |                    |                             |                               |                 |
| Coarse - Over #10 Mesh              | 4                  | 4                           | 4                             | 4               |
| Small - #10 to #50 Mesh             | 3                  | 4                           | 4                             | 4               |
| Fine - #50 to #200 Mesh             | 1                  | 3                           | 4                             | 3               |
| Very fine - Under #200 Mesh         | 0                  | 2                           | 4                             | 2               |
| "Caking or buildup" (cement, etc.)  | 2                  | 3                           | 4                             | 3               |
| <b>Moisture</b>                     |                    |                             |                               |                 |
| Splash                              | 2                  | 3                           | 4                             | 4               |
| Rain                                | 2                  | 3                           | 4                             | 4               |
| Saturated Atmosphere                | 1                  | 3                           | 4                             | 4               |
| Flooding                            | 0                  | 1                           | 3                             | 4               |
| Pressure Wash                       | 0                  | 1                           | 4                             | 4               |
| <b>Fibrous Material</b>             |                    |                             |                               |                 |
| Short Fibers (lint, etc.)           | 1                  | 4                           | 4                             | 4               |
| Long Fibers (grass, etc.)           | 1                  | 4                           | 4                             | 4               |
| <b>Chemical</b>                     |                    |                             |                               |                 |
| Acid Fumes and Liquids              | 1                  | 1                           | 1                             | 1               |
| Alkaline Fumes and Liquids          | 1                  | 1                           | 1                             | 1               |

### Rating Code

4 - Excellent - Best seal for conditions listed.

3 - Good - Sealability is above average.

2 - Fair - Seal performs under intermittent conditions.

1 - Limited - Actual conditions must be known to evaluate sealability. Check "General Characteristic Guide" for construction as well as benefits and limitations for further evaluation.

0 - Not acceptable - Will not effectively perform seal functions. Contact Rexnord for special assistance in the realm of materials and designs.

## Link-Belt Series 6600, 6800, 6900, 7600, 7800, 7900, 23000, 23100 and 23200 Selection Guide

To select a pillow block, determine the applied radial load, the applied thrust load, the desired Rating Life, the required minimum shaft size, and applicable operating conditions. The procedure shown here will aid in selecting a pillow block to meet an L<sub>10</sub> design life. The formulas for calculating life expectancy should be used to determine the Rating Life L<sub>10</sub> for the pillow block selected. Spherical roller bearing pillow blocks are available in Series 6600, 6800, 7600, 7800, 22300, 22600, 23000, 23100, 23200. Because a number of series are available, several different pillow blocks that will fulfill and L<sub>10</sub> life requirement can often be chosen.

Some of the factors to consider when choosing between series are: cost, speed limit, minimum shaft diameter, thrust load, space limitations, and type of shaft mounting.

The selection procedures and rating formulas shown here are in agreement with The American Bearing Manufacturers Association Standards and ANSI/ ABMA Standards STD 11-1990. Ratings are based on fatigue life.

The Rating Life L<sub>10</sub> or fatigue life at 90% reliability is the usual basis for bearing selection.

For radial load applications only, Table 3 can be used to select a unit or to determine L<sub>10</sub> life expectancy.

To assure a satisfactory bearing application, fitting practice, mounting, lubrication, sealing, static rating, housing strength, operating conditions and maintenance must be considered.

### Steps for Selection

#### Step 1

Determine an appropriate L<sub>10</sub> design life.

|                             | Operating time, hours per year | Design life, years | L <sub>10</sub> design life, hours |
|-----------------------------|--------------------------------|--------------------|------------------------------------|
| Heavy seasonal usage        | 1,400 to 1,600                 | 4-6                | 8,000                              |
| Industrial—8 hour shift     | 2,000                          | 10                 | 20,000                             |
| Industrial—16 hour shift    | 4,000                          | 10                 | 40,000                             |
| Industrial—continuous       | 8,700                          | 10                 | 80,000 to 100,000                  |
| Industrial—High reliability | —                              | —                  | 120,000 to 300,000                 |

#### Step 2

Determine a required  $\left(\frac{C}{P}\right)$  from Table 1.

#### Step 3

Calculate the required C and select a roller bearing pillow block.

**a** For radial load only:  $P = F_r$

Required  $C = \left(\frac{C}{P}\right) P$  using  $\left(\frac{C}{P}\right)$  from Step 2

Select a roller bearing pillow block from Table 2 or Table 4 having a basic load rating C equal to or greater than the required C.

**b** For combined radial and thrust loads:

Select a roller bearing pillow block of the desired shaft size from Table 2 or Table 4 Calculate the ratio of thrust load  $F_a$  to the radial load  $F_r$ .

$$\frac{F_a}{F_r}$$

Calculate the equivalent radial load P

$$P = X F_r + Y F_a$$

If  $\frac{F_a}{F_r}$  is equal to or less than e, then  $P = X_1 F_r + Y_1 F_a$

If  $\frac{F_a}{F_r}$  is greater than e, then  $P = X_2 F_r + Y_2 F_a$

For values of e, X<sub>1</sub>, Y<sub>1</sub>, X<sub>2</sub>, and Y<sub>2</sub>, see Table 2 or Table 4

Required  $C = \left(\frac{C}{P}\right) P$  using  $\left(\frac{C}{P}\right)$  from Step 2

Consult the bearing rating Table 2 or Table 4, to see if the selected bearing meets or exceeds the required C. The life expectancy of other sizes and series of bearings can be calculated similarly.

## Selection

### Symbols for formulas:

|  |   |
|--|---|
| C = basic load rating, pounds (or newtons)   | L <sub>10</sub> = rating life, hours            |
| Co = static load rating, pounds (or newtons) | n = speed, revolutions per minute               |
| e = a reference value                        | P = equivalent radial load, pounds (or newtons) |
| Fa = thrust load, pounds (or newtons)        | X = radial factor                               |
| Fr = radial load, pounds (or newtons)        | Y = thrust factor                               |

**Table 1 • Relation of L<sub>10</sub> life and speed to  $\left(\frac{C}{P}\right)$**

| Bearing Life Hours L <sub>10</sub> | Speed, n |      |       |       |       |       |       |       |       |  |
|------------------------------------|----------|------|-------|-------|-------|-------|-------|-------|-------|--|
|                                    | 50       | 100  | 200   | 300   | 400   | 500   | 600   | 700   | 800   |  |
| 3000                               | 1.93     | 2.38 | 2.93  | 3.31  | 3.61  | 3.86  | 4.07  | 4.27  | 4.44  |  |
| 4000                               | 2.11     | 2.59 | 3.19  | 3.61  | 3.93  | 4.20  | 4.44  | 4.65  | 4.84  |  |
| 5000                               | 2.25     | 2.77 | 3.42  | 3.86  | 4.20  | 4.50  | 4.75  | 4.97  | 5.18  |  |
| 6000                               | 2.38     | 2.93 | 3.61  | 4.07  | 4.44  | 4.75  | 5.02  | 5.25  | 5.47  |  |
| 8000                               | 2.59     | 3.19 | 3.93  | 4.44  | 4.84  | 5.18  | 5.47  | 5.73  | 5.96  |  |
| 10000                              | 2.77     | 3.42 | 4.20  | 4.75  | 5.18  | 5.54  | 5.85  | 6.12  | 6.37  |  |
| 12000                              | 2.93     | 3.61 | 4.44  | 5.02  | 5.47  | 5.85  | 6.18  | 6.47  | 6.73  |  |
| 14000                              | 3.07     | 3.78 | 4.65  | 5.25  | 5.73  | 6.12  | 6.47  | 6.77  | 7.05  |  |
| 16000                              | 3.19     | 3.93 | 4.84  | 5.47  | 5.96  | 6.37  | 6.73  | 7.05  | 7.34  |  |
| 18000                              | 3.31     | 4.07 | 5.02  | 5.66  | 6.18  | 6.60  | 6.97  | 7.30  | 7.60  |  |
| 20000                              | 3.42     | 4.20 | 5.18  | 5.85  | 6.37  | 6.81  | 7.20  | 7.54  | 7.85  |  |
| 25000                              | 3.65     | 4.50 | 5.54  | 6.25  | 6.81  | 7.29  | 7.70  | 8.06  | 8.39  |  |
| 30000                              | 3.86     | 4.75 | 5.85  | 6.60  | 7.20  | 7.70  | 8.13  | 8.51  | 8.86  |  |
| 35000                              | 4.04     | 4.97 | 6.12  | 6.92  | 7.54  | 8.06  | 8.51  | 8.92  | 9.28  |  |
| 40000                              | 4.20     | 5.18 | 6.37  | 7.20  | 7.85  | 8.39  | 8.86  | 9.28  | 9.66  |  |
| 45000                              | 4.36     | 5.36 | 6.60  | 7.46  | 8.13  | 8.69  | 9.18  | 9.61  | 10.00 |  |
| 50000                              | 4.50     | 5.54 | 6.81  | 7.70  | 8.39  | 8.97  | 9.48  | 9.92  | 10.30 |  |
| 60000                              | 4.75     | 5.85 | 7.20  | 8.13  | 8.86  | 9.48  | 10.00 | 10.50 | 10.90 |  |
| 70000                              | 4.97     | 6.12 | 7.54  | 8.51  | 9.28  | 9.92  | 10.50 | 11.00 | 11.40 |  |
| 80000                              | 5.18     | 6.37 | 7.85  | 8.86  | 9.66  | 10.30 | 10.90 | 11.40 | 11.90 |  |
| 90000                              | 5.36     | 6.60 | 8.13  | 9.18  | 10.00 | 10.70 | 11.30 | 11.80 | 12.30 |  |
| 100000                             | 5.54     | 6.81 | 8.39  | 9.48  | 10.30 | 11.00 | 11.70 | 12.20 | 12.70 |  |
| 150000                             | 6.25     | 7.70 | 9.48  | 10.70 | 11.70 | 12.50 | 13.20 | 13.80 | 14.40 |  |
| 200000                             | 6.81     | 8.39 | 10.30 | 11.70 | 12.70 | 13.60 | 14.40 | 15.00 | 15.70 |  |

|        | Speed, n |       |       |       |       |       |       |       |       |  |
|--------|----------|-------|-------|-------|-------|-------|-------|-------|-------|--|
|        | 900      | 1000  | 1200  | 1500  | 1800  | 2400  | 3000  | 3600  | 6000  |  |
| 3000   | 4.60     | 4.75  | 5.02  | 5.36  | 5.66  | 6.18  | 6.60  | 6.97  | 8.13  |  |
| 4000   | 5.02     | 5.18  | 5.47  | 5.85  | 6.18  | 6.73  | 7.20  | 7.60  | 8.86  |  |
| 5000   | 5.36     | 5.54  | 5.85  | 6.25  | 6.60  | 7.20  | 7.70  | 8.13  | 9.48  |  |
| 6000   | 5.66     | 5.85  | 6.18  | 6.60  | 6.97  | 7.60  | 8.13  | 8.59  | 10.00 |  |
| 8000   | 6.18     | 6.37  | 6.73  | 7.20  | 7.60  | 8.29  | 8.86  | 9.36  | 10.90 |  |
| 10000  | 6.60     | 6.81  | 7.20  | 7.70  | 8.13  | 8.86  | 9.48  | 10.00 | 11.70 |  |
| 12000  | 6.97     | 7.20  | 7.60  | 8.13  | 8.59  | 9.36  | 10.00 | 10.60 | 12.30 |  |
| 14000  | 7.30     | 7.54  | 7.96  | 8.51  | 8.99  | 9.80  | 10.50 | 11.10 | 12.90 |  |
| 16000  | 7.60     | 7.85  | 8.29  | 8.86  | 9.36  | 10.20 | 10.90 | 11.50 | 13.40 |  |
| 18000  | 7.88     | 8.13  | 8.59  | 9.18  | 9.70  | 10.60 | 11.30 | 11.90 | 13.90 |  |
| 20000  | 8.13     | 8.39  | 8.86  | 9.48  | 10.00 | 10.90 | 11.70 | 12.30 | 14.40 |  |
| 25000  | 8.69     | 8.97  | 9.48  | 10.10 | 10.70 | 11.70 | 12.50 | 13.20 | 15.40 |  |
| 30000  | 9.18     | 9.48  | 10.00 | 10.70 | 11.30 | 12.30 | 13.20 | 13.90 | 16.20 |  |
| 35000  | 9.61     | 9.92  | 10.50 | 11.20 | 11.80 | 12.90 | 13.80 | 14.60 | 17.00 |  |
| 40000  | 10.00    | 10.30 | 10.90 | 11.70 | 12.30 | 13.40 | 14.40 | 15.20 | 17.70 |  |
| 45000  | 10.40    | 10.70 | 11.30 | 12.10 | 12.80 | 13.90 | 14.90 | 15.70 | 18.30 |  |
| 50000  | 10.70    | 11.00 | 11.70 | 12.50 | 13.20 | 14.40 | 15.40 | 16.20 | 18.90 |  |
| 60000  | 11.30    | 11.70 | 12.30 | 13.20 | 13.90 | 15.20 | 16.20 | 17.10 | 20.00 |  |
| 70000  | 11.80    | 12.20 | 12.90 | 13.80 | 14.60 | 15.90 | 17.00 | 17.90 | 20.90 |  |
| 80000  | 12.30    | 12.70 | 13.40 | 14.40 | 15.20 | 16.50 | 17.70 | 18.70 | 21.80 |  |
| 90000  | 12.80    | 13.20 | 13.90 | 14.90 | 15.70 | 17.10 | 18.30 | 19.40 | 22.60 |  |
| 100000 | 13.20    | 13.60 | 14.40 | 15.40 | 16.20 | 17.70 | 18.90 | 20.00 | 23.30 |  |
| 150000 | 14.90    | 15.40 | 16.20 | 17.30 | 18.30 | 20.00 | 21.40 | 22.60 | 26.30 |  |
| 200000 | 16.20    | 16.70 | 17.70 | 18.90 | 20.00 | 21.80 | 23.30 | 24.60 | 28.70 |  |

## Basic Formula

$$\left(\frac{C}{P}\right) = \left(\frac{L_{10} \times n \times 60}{1,000,000}\right)^{3/10}$$

$$L_{10} = \frac{\left(\frac{C}{P}\right)^{10/3} \times 1,000,000}{n \times 60}$$

## Life Expectancy

To calculate the Rating Life L<sub>10</sub> of any selected or trial bearing:

### Step 1

Determine the equivalent radial load P.

**a** For radial load only:

$$P = Fr$$

**b** For combined radial and thrust load:

$$P = XFr + YFa$$

if  $\frac{Fa}{Fr}$  is equal to or less than e, then

$$P = X1Fr + Y1Fa$$

if  $\frac{Fa}{Fr}$  is greater than e, then

$$P = X2Fr + Y2Fa$$

For values of e, X1, Y1, X2, and Y2, consult the appropriate bearing rating Table 2 Table 4.

### Step 2

Calculate the ratio of the basic load rating C to the equivalent radial load.

$$\left(\frac{C}{P}\right)$$

### Step 3

Approximate the bearing life from Table 1.

## Live Adjustment

The Rating Life, L<sub>10</sub>, may be modified for some applications in accordance with the formula

$$Ln = a1a2a3L_{10}$$

where Ln = Adjusted life for (100-n) % reliability,

a1 = Life adjustment factor for reliability

a2 = Life adjustment factor

for material and processing

a3 = Life adjustment factor for operating conditions.

For most normal applications, all factors will be taken as 1, and the Rating Life used as the selection basis or life estimate. In addition, as long as standard catalog bearings are used, a2 will be normally set equal to one.

The factor a3 covers such things as lubrication, misalignment, and temperature. Some conditions that could yield a3 significantly different than unity include speeds less than 20000 DN or greater than 200000 DN, temperatures below -40°F (-40°C) or above 275°F (135°C). For other possible conditions, as well as additional information on life adjustment factors, consult Rexnord Bearing Division.



**Table 2 • 6600, 6800, 7600, 7800 Series Load ratings and Speed Limits**

| Basic Bearing Number        |          |                      |         | Bearing Size Number | Co Static Load Rating<br>pounds/<br>newtons | C Basic Load Rating<br>pounds/<br>newtons | Approximate Speed Limit RPM* |        |                            | e    | $\frac{F_a}{F_r} \leq e$ |     | $\frac{F_a}{F_r} > e$ |     |
|-----------------------------|----------|----------------------|---------|---------------------|---|---|------------------------------|--------|----------------------------|------|--------------------------|-----|-----------------------|-----|
| Adapter Mounted             |          | Direct Shaft Mounted |         |                     |   |   | Oil                          | Grease | D5 Seal<br>1mm<br>Push-in# |      | X1                       | Y1  | X2                    | Y2  |
| Shaft Diameter<br>inches/mm | Number   | Bearing Seat<br>mm   | Number  |                     |   |   |                              |        |                            |      |                          |     |                       |     |
| 1 7/16                      | LB6823   | ...                  | ...     | 22209LB             | 23600                                       | 20800                                     | 6200                         | 5300   | 5300                       | 0.26 | 1.00                     | 2.6 | 0.67                  | 3.9 |
| 1 1/2                       | LB6824   |                      |         |                     |   |   |                              |        |                            |      |                          |     |                       |     |
| 40                          | LB68M40  |                      |         |                     | 105000                                      | 92500                                     |                              |        |                            |      |                          |     |                       |     |
| 1 11/16                     | LB6827   | ...                  | ...     | 22210LB             | 25500                                       | 22000                                     | 5500                         | 5000   | 5000                       | 0.26 | 1.00                     | 2.8 | 0.67                  | 4.2 |
| 1 3/4                       | LB6828   |                      |         |                     |   |   |                              |        |                            |      |                          |     |                       |     |
| 45                          | LB68M45  |                      |         |                     | 113000                                      | 97900                                     |                              |        |                            |      |                          |     |                       |     |
| 1 15/16                     | LB6831   | ...                  | ...     | 22211LB             | 32500                                       | 27000                                     | 5000                         | 4500   | 4500                       | 0.23 | 1.00                     | 2.9 | 0.67                  | 4.4 |
| 2                           | LB6832   |                      |         |                     |   |   |                              |        |                            |      |                          |     |                       |     |
| 50                          | LB68M50  |                      |         |                     | 145000                                      | 120000                                    |                              |        |                            |      |                          |     |                       |     |
| 2 3/16                      | LB6835   | ...                  | ...     | 22213LB             | 46500                                       | 38000                                     | 4300                         | 3800   | 3800                       | 0.24 | 1.00                     | 2.8 | 0.67                  | 4.2 |
| 60                          | LB68M60  |                      |         |                     | 207000                                      | 169000                                    |                              |        |                            |      |                          |     |                       |     |
| 2 7/16                      | LB6839   | 75                   | LB7875  | 22215LB             | 53000                                       | 41500                                     | 3700                         | 3400   | 3400                       | 0.22 | 1.00                     | 3.1 | 0.67                  | 4.6 |
| 65                          | LB68M65  |                      |         |                     | 236000                                      | 185000                                    |                              |        |                            |      |                          |     |                       |     |
| 2 11/16                     | LB6843   | 80                   | LB7880  | 22216LB             | 58500                                       | 46500                                     | 3500                         | 3200   | 3200                       | 0.22 | 1.00                     | 3.1 | 0.67                  | 4.7 |
| 70                          | LB68M70  |                      |         |                     | 260000                                      | 207000                                    |                              |        |                            |      |                          |     |                       |     |
| 2 15/16                     | LB6847   | 85                   | LB7885  | 22217LB             | 73500                                       | 58500                                     | 3250                         | 3000   | 3000                       | 0.22 | 1.00                     | 3.0 | 0.67                  | 4.5 |
| 3                           | LB6848   |                      |         |                     |   |   |                              |        |                            |      |                          |     |                       |     |
| 75                          | LB68M75  |                      |         |                     | 327000                                      | 260000                                    |                              |        |                            |      |                          |     |                       |     |
| 3 3/16                      | LB6851   | 90                   | LB7890  | 22218LB             | 81500                                       | 64000                                     | 3000                         | 2600   | 2600                       | 0.23 | 1.00                     | 2.9 | 0.67                  | 4.3 |
| 80                          | LB68M80  |                      |         |                     | 363000                                      | 285000                                    |                              |        |                            |      |                          |     |                       |     |
| 3 7/16                      | LB6855   | 100                  | LB78100 | 22220LB             | 104000                                      | 80000                                     | 2800                         | 2200   | 2200                       | 0.24 | 1.00                     | 2.8 | 0.67                  | 4.2 |
| 3 1/2                       | LB6856   |                      |         |                     |   |   |                              |        |                            |      |                          |     |                       |     |
| 90                          | LB68M90  |                      |         |                     | 463000                                      | 356000                                    |                              |        |                            |      |                          |     |                       |     |
| 3 11/16                     | LB6859   | 110                  | LB78110 | 22222LB             | 132000                                      | 102000                                    | 2500                         | 2000   | 2000                       | 0.25 | 1.00                     | 2.7 | 0.67                  | 4.0 |
| 3 15/16                     | LB6863   |                      |         |                     |   |   |                              |        |                            |      |                          |     |                       |     |
| 4                           | LB6864   |                      |         |                     | 587000                                      | 454000                                    |                              |        |                            |      |                          |     |                       |     |
| 100                         | LB68M100 |                      |         |                     |   |   |                              |        |                            |      |                          |     |                       |     |
| 4 3/16                      | LB6867   | 120                  | LB78120 | 22224LB             | 163000                                      | 120000                                    | 2300                         | 1900   | 1900                       | 0.25 | 1.00                     | 2.7 | 0.67                  | 4.0 |
| 110                         | LB68M110 |                      |         |                     | 725000                                      | 534000                                    |                              |        |                            |      |                          |     |                       |     |
| 4 7/16                      | LB6871   | 130                  | LB78130 | 22226LB             | 196000                                      | 143000                                    | 2100                         | 1800   | 1800                       | 0.26 | 1.00                     | 2.6 | 0.67                  | 3.9 |
| 4 1/2                       | LB6872   |                      |         |                     |   |   |                              |        |                            |      |                          |     |                       |     |
| 115                         | LB68M115 |                      |         |                     | 872000                                      | 636000                                    |                              |        |                            |      |                          |     |                       |     |
| 4 15/16                     | LB6879   | 140                  | LB78140 | 22228LB             | 228000                                      | 166000                                    | 1950                         | 1700   | 1700                       | 0.25 | 1.00                     | 2.7 | 0.67                  | 4.0 |
| 5                           | LB6880   |                      |         |                     |   |   |                              |        |                            |      |                          |     |                       |     |
| 125                         | LB68M125 |                      |         |                     | 1010000                                     | 738000                                    |                              |        |                            |      |                          |     |                       |     |

**Table 2 • 6600, 6800, 7600, 7800 Series Load Ratings and Speed Limits (continued)**

| Basic Bearing Number   |  |                      |         | Bearing Size Number | Co Static Load Rating | C Basic Load Rating | Approximate Speed Limit RPM* |                |      | e    | Fa/Fr ≤ e |                      | Fa/Fr > e |     |    |    |
|--|--|----------------------|---------|---------------------|-----------------------|---------------------|------------------------------|----------------|------|------|-----------|----------------------|-----------|-----|----|----|
| Adapter Mounted  |  | Direct Shaft Mounted |         |                     |                       |                     | pounds/newtons               | pounds/newtons | Oil  |      | Grease    | D5 Seal 1mm Push-in# | X1        | Y1  | X2 | Y2 |
| Shaft Diameter inches/mm                                     | Number   | Bearing Seat mm      | Number  |                     |                       |                     |                              |                |      |      |           |                      |           |     |    |    |
| 5 3/16<br>135  | LB6883<br>LB68M135   | 150                  | LB78150 | 22230LB             | 270000<br>1200000     | 190000<br>845000    | 1850                         | 1600           | 1600 | 0.25 | 1.00      | 2.7                  | 0.67      | 4.0 |    |    |
| 5 7/16<br>140  | LB6887<br>LB68M140   | 160                  | LB78160 | 22232LB             | 310000<br>1380000     | 216000<br>961000    | 1700                         | 1500           | 1500 | 0.26 | 1.00      | 2.6                  | 0.67      | 3.9 |    |    |
| 5 15/16<br>6<br>150  | LB6895<br>LB6896<br>LB68M150   | 170                  | LB78170 | 22234LB             | 345000<br>1530000     | 250000<br>1110000   | 1600                         | 1300           | 1300 | 0.26 | 1.00      | 2.6                  | 0.67      | 3.9 |    |    |
| 6 7/16<br>6 1/2<br>160                                       | LB68103<br>LB68104<br>LB68M160   | 180                  | LB78180 | 22236LB             | 365000<br>1620000     | 255000<br>1130000   | 1500                         | 1300           | 1300 | 0.25 | 1.00      | 2.7                  | 0.67      | 4.0 |    |    |
| 6 15/16<br>7<br>170  | LB68111<br>LB68112<br>LB68M170   | 190                  | LB78190 | 22238LB             | 415000<br>1850000     | 270000<br>1200000   | 1400                         | 1200           | 1200 | 0.28 | 1.00      | 2.4                  | 0.67      | 3.6 |    |    |
| 7 3/16<br>180  | LB68115<br>LB68M180  | 200                  | LB78200 | 22240LB             | 450000<br>2000000     | 300000<br>1330000   | 1300                         | 1100           | 1100 | 0.29 | 1.00      | 2.3                  | 0.67      | 3.5 |    |    |
| 7 1/2<br>7 15/16<br>8<br>200                                 | LB68120<br>LB68127<br>LB68128<br>LB68M200                                    | 220                  | LB78220 | 22244LB             | 550000<br>2450000     | 365000<br>1620000   | 1200                         | 1000           | 1000 | 0.29 | 1.00      | 2.3                  | 0.67      | 3.5 |    |    |
| 8 7/16<br>8 1/2<br>8 15/16<br>9<br>220                       | LB66135<br>LB66136<br>LB66143<br>LB66144<br>LB66M220                         | 240                  | LB76240 | 23048LB             | 490000<br>2180000     | 260000<br>1160000   | 1100                         | 1000           | 1000 | 0.25 | 1.00      | 2.7                  | 0.67      | 4.1 |    |    |
| 9 7/16<br>9 1/2<br>9 15/16<br>10<br>10 7/16<br>10 1/2<br>260 | LB66B151<br>LB66B152<br>LB66159<br>LB66160<br>LB66167<br>LB66168<br>LB66M260 | 280                  | LB76280 | 23056LB             | 670000<br>2980000     | 345000<br>1530000   | 950                          | 850            | 850  | 0.25 | 1.00      | 2.7                  | 0.67      | 4.1 |    |    |

\* Speed limits are based on the following:

1. Type R seals properly aligned.
  - a. For the type B seals, limit is 800 surface feet per minute (4.0 m/s) with good alignment.
  - b. For type D8 seals, limit is 1500 surface feet per minute (7.6 m/s) with good alignment.
2. Proper operating internal clearance.
3. Adequate lubrication and maintenance (special lubricants and/or more frequent relubrication may be required).
4. Normal room temperature environment and no extraneous heat sources, such that bearing operating temperature does not exceed 100°C (212°F).
5. Equivalent radial load not greater than 7% of C.
6. Axial load, if any, not greater than 20% of radial load.

# D5 Pentac™ speed limits in the chart are based on pushing the Pentac™ seal against the housing face a distance of 1 mm as specified by the service instructions. The Pentac™ seal can be pressed in a distance of 2 mm for high contaminant environments. The speed limit at a 2 mm "Push-In" distance should be limited to 80% of those listed in the chart.

**Table 3 • Radial Load Ratings in Pounds at Various RPM for Appropriate L<sub>10</sub> Life Hours**

| Basic Unit Number |                      | L <sub>10</sub> Minimum Life, hours | Radial Load Ratings, Pounds |       |       |       |       |       |       |       |       |       |       |       |       |       |       |       |       |       |
|-------------------|----------------------|-------------------------------------|-----------------------------|-------|-------|-------|-------|-------|-------|-------|-------|-------|-------|-------|-------|-------|-------|-------|-------|-------|
| Adapter Mounted   | Direct Shaft Mounted |                                     | Speed, RPM                  |       |       |       |       |       |       |       |       |       |       |       |       |       |       |       |       |       |
|                   |                      |                                     | 50                          | 100   | 200   | 300   | 400   | 500   | 600   | 700   | 800   | 900   | 1000  | 1200  | 1500  | 1800  | 2000  | 2500  | 3000  | 3500  |
| LB6823            |                      | 8000                                | 8017                        | 6512  | 5289  | 4683  | 4296  | 4018  | 3804  | 3632  | 3490  | 3368  | 3264  | 3090  | 2890  | 2736  | 2651  | 2479  | 2347  | 2241  |
| LB6824            |                      | 20000                               | 6090                        | 4947  | 4018  | 3558  | 3264  | 3052  | 2890  | 2759  | 2651  | 2559  | 2479  | 2347  | 2195  | 2078  | 2014  | 1883  | 1783  | 1703  |
| LB68M40           |                      | 40000                               | 4947                        | 4018  | 3264  | 2890  | 2651  | 2479  | 2347  | 2241  | 2153  | 2078  | 2014  | 1907  | 1783  | 1688  | 1636  | 1530  | 1448  | 1383  |
|                   |                      | 100000                              | 3758                        | 3052  | 2479  | 2195  | 2014  | 1883  | 1783  | 1703  | 1636  | 1579  | 1530  | 1448  | 1355  | 1282  | 1243  | 1162  | 1100  | 1051  |
| LB6827            |                      | 8000                                | 8479                        | 6887  | 5594  | 4954  | 4544  | 4250  | 4024  | 3842  | 3691  | 3563  | 3452  | 3268  | 3056  | 2894  | 2804  | 2622  | 2483  | 2370  |
| LB6828            |                      | 20000                               | 6441                        | 5232  | 4250  | 3763  | 3452  | 3228  | 3056  | 2918  | 2804  | 2706  | 2622  | 2483  | 2322  | 2198  | 2130  | 1992  | 1886  | 1801  |
| LB68M45           |                      | 40000                               | 5232                        | 4250  | 3452  | 3056  | 2804  | 2622  | 2483  | 2370  | 2277  | 2198  | 2107  | 2017  | 1886  | 1786  | 1730  | 1618  | 1532  | 1463  |
|                   |                      | 100000                              | 3975                        | 3228  | 2622  | 2322  | 2130  | 1992  | 1886  | 1801  | 1730  | 1670  | 1618  | 1532  | 1433  | 1356  | 1314  | 1229  | 1164  | 1111  |
| LB6831            |                      | 8000                                | 10406                       | 8453  | 6866  | 6079  | 5577  | 5216  | 4938  | 4715  | 4530  | 4372  | 4236  | 4011  | 3751  | 3551  | 3441  | 3218  | 3047  | 2909  |
| LB6832            |                      | 20000                               | 7905                        | 6421  | 5216  | 4618  | 4236  | 3962  | 3751  | 3582  | 3441  | 3322  | 3218  | 3047  | 2850  | 2698  | 2614  | 2445  | 2315  | 2210  |
| LB68M50           |                      | 40000                               | 6421                        | 5216  | 4236  | 3751  | 3441  | 3218  | 3047  | 2909  | 2795  | 2698  | 2614  | 2475  | 2315  | 2191  | 2123  | 1986  | 1880  | 1795  |
|                   |                      | 100000                              | 4878                        | 3962  | 3218  | 2850  | 2614  | 2445  | 2315  | 2210  | 2123  | 2049  | 1986  | 1880  | 1758  | 1665  | 1613  | 1508  | 1428  | 1364  |
| LB6835            |                      | 8000                                | 14646                       | 11896 | 9663  | 8556  | 7849  | 7340  | 6950  | 6636  | 6375  | 6154  | 5962  | 5645  | 5279  | 4998  | 4843  | 4529  | 4288  | 4094  |
| LB68M60           |                      | 20000                               | 11126                       | 9037  | 7340  | 6500  | 5962  | 5576  | 5279  | 5041  | 4843  | 4675  | 4529  | 4288  | 4011  | 3797  | 3679  | 3441  | 3258  | 3110  |
|                   |                      | 40000                               | 9037                        | 7340  | 5962  | 5279  | 4843  | 4529  | 4288  | 4094  | 3934  | 3797  | 3679  | 3483  | 3258  | 3084  | 2988  | 2795  | 2646  | 2526  |
|                   |                      | 100000                              | 6865                        | 5576  | 4529  | 4011  | 3679  | 3441  | 3258  | 3110  | 2988  | 2884  | 2795  | 2646  | 2475  | 2343  | 2270  | 2123  | 2010  | 1919  |
| LB6839            | LB7875               | 8000                                | 15995                       | 12992 | 10553 | 9344  | 8572  | 8016  | 7590  | 7247  | 6962  | 6721  | 6511  | 6165  | 5766  | 5459  | 5289  | 4946  | 4683  | 4472  |
| LB68M65           |                      | 20000                               | 12151                       | 9869  | 8016  | 7098  | 6511  | 6090  | 5766  | 5505  | 5289  | 5105  | 4946  | 4683  | 4380  | 4147  | 4018  | 3758  | 3558  | 3397  |
|                   |                      | 40000                               | 9869                        | 8016  | 6511  | 5766  | 5289  | 4946  | 4683  | 4472  | 4296  | 4147  | 4018  | 3804  | 3558  | 3368  | 3263  | 3052  | 2890  | 2759  |
|                   |                      | 100000                              | 7497                        | 6090  | 4946  | 4380  | 4018  | 3758  | 3558  | 3397  | 3263  | 3150  | 3052  | 2890  | 2703  | 2559  | 2479  | 2319  | 2195  | 2096  |
| LB6843            | LB7880               | 8000                                | 17922                       | 14557 | 11824 | 10470 | 9604  | 8982  | 8504  | 8120  | 7801  | 7530  | 7296  | 6908  | 6460  | 6116  | 5926  | 5542  | 5247  | 5010  |
| LB68M70           |                      | 20000                               | 13615                       | 11059 | 8982  | 7954  | 7296  | 6824  | 6460  | 6168  | 5926  | 5720  | 5542  | 5247  | 4908  | 4646  | 4502  | 4210  | 3986  | 3806  |
|                   |                      | 40000                               | 11059                       | 8982  | 7296  | 6460  | 5926  | 5542  | 5247  | 5010  | 4814  | 4646  | 4502  | 4262  | 3986  | 3774  | 3657  | 3420  | 3238  | 3091  |
|                   |                      | 100000                              | 8401                        | 6824  | 5542  | 4908  | 4502  | 4210  | 3986  | 3806  | 3657  | 3530  | 3420  | 3238  | 3028  | 2867  | 2778  | 2598  | 2460  | 2348  |
| LB6847            | LB7885               | 8000                                | 22547                       | 18314 | 14876 | 13172 | 12083 | 11300 | 10699 | 10215 | 9814  | 9474  | 9179  | 8690  | 8127  | 7695  | 7455  | 6973  | 6602  | 6303  |
| LB6848            |                      | 20000                               | 17128                       | 13912 | 11300 | 10006 | 9179  | 8584  | 8127  | 7760  | 7455  | 7197  | 6973  | 6602  | 6174  | 5845  | 5664  | 5297  | 5015  | 4788  |
| LB68M75           |                      | 40000                               | 13912                       | 11300 | 9179  | 8127  | 7455  | 6973  | 6602  | 6303  | 6056  | 5845  | 5664  | 5362  | 5015  | 4748  | 4600  | 4302  | 4073  | 3889  |
|                   |                      | 100000                              | 10569                       | 8584  | 6973  | 6174  | 5664  | 5297  | 5015  | 4788  | 4600  | 4441  | 4302  | 4073  | 3810  | 3607  | 3495  | 3268  | 3094  | 2955  |
| LB6851            | LB7890               | 8000                                | 24667                       | 20036 | 16274 | 14410 | 13219 | 12363 | 11705 | 11176 | 10737 | 10364 | 10042 | 9507  | 8892  | 8418  | 8156  | 7628  | 7222  | 6896  |
| LB68M80           |                      | 20000                               | 18738                       | 15220 | 12363 | 10947 | 10042 | 9391  | 8892  | 8490  | 8156  | 7873  | 7628  | 7222  | 6755  | 6395  | 6196  | 5795  | 5486  | 5238  |
|                   |                      | 40000                               | 15220                       | 12363 | 10042 | 8892  | 8156  | 7628  | 7222  | 6896  | 6625  | 6395  | 6196  | 5866  | 5486  | 5194  | 5033  | 4707  | 4456  | 4255  |
|                   |                      | 100000                              | 11562                       | 9391  | 7628  | 6755  | 6196  | 5795  | 5486  | 5238  | 5033  | 4858  | 4707  | 4456  | 4168  | 3946  | 3823  | 3576  | 3385  | 3232  |
| LB6855            | LB78100              | 8000                                | 30834                       | 25045 | 20343 | 18013 | 16523 | 15453 | 14631 | 13970 | 13421 | 12955 | 12552 | 11884 | 11115 | 10523 | 10196 | 9535  | 9028  | 8620  |
| LB6856            |                      | 20000                               | 23423                       | 19025 | 15453 | 13684 | 12552 | 11739 | 11115 | 10612 | 10196 | 9842  | 9535  | 9028  | 8443  | 7994  | 7745  | 7244  | 6802  | 6478  |
| LB68M90           |                      | 40000                               | 19025                       | 15453 | 12552 | 11115 | 10196 | 9535  | 9028  | 8620  | 8281  | 7994  | 7745  | 7333  | 6858  | 6493  | 6291  | 5884  | 5592  | 5323  |
|                   |                      | 100000                              | 14453                       | 11739 | 9535  | 8443  | 7745  | 7244  | 6858  | 6548  | 6291  | 6073  | 5884  | 5570  | 5210  | 4932  | 4779  | 4470  | 4242  | 4051  |
| LB6859            | LB78110              | 8000                                | 39313                       | 31932 | 25937 | 22966 | 21067 | 19703 | 18654 | 17811 | 17112 | 16518 | 16004 | 15152 | 14171 | 13417 | 12999 | 12158 | 11529 | 11028 |
| LB6863            |                      | 20000                               | 29864                       | 24257 | 19703 | 17447 | 16004 | 14968 | 14171 | 13531 | 12999 | 12548 | 12158 | 11510 | 10765 | 10192 | 9875  | 9349  | 8795  | 8336  |
| LB6864            |                      | 40000                               | 24257                       | 19703 | 16004 | 14171 | 12999 | 12158 | 11510 | 10990 | 10559 | 10192 | 9875  | 9349  | 8744  | 8279  | 8021  | 7502  | 7102  | 6759  |
| LB68M100          |                      | 100000                              | 18427                       | 14968 | 12158 | 10765 | 9875  | 9236  | 8744  | 8349  | 8021  | 7743  | 7502  | 7102  | 6642  | 6289  | 6093  | 5699  | 5399  | 5128  |
| LB6867            | LB78120              | 8000                                | 46251                       | 37567 | 30514 | 27019 | 24785 | 23180 | 21946 | 20955 | 20132 | 19433 | 18828 | 17826 | 16672 | 15784 | 15293 | 14618 | 13936 | 13369 |
| LB68M110          |                      | 20000                               | 35135                       | 28538 | 23180 | 20525 | 18828 | 17609 | 16672 | 15918 | 15293 | 14762 | 14303 | 13542 | 12665 | 11991 | 11618 | 11099 | 10287 | 9739  |
|                   |                      | 40000                               | 28538                       | 23180 | 18828 | 16672 | 15293 | 14303 | 13542 | 12930 | 12422 | 11991 | 11618 | 10999 | 10287 | 9739  | 9436  | 8936  | 8436  | 8036  |
|                   |                      | 100000                              | 21679                       | 17609 | 14303 | 12665 | 11618 | 10865 | 10287 | 9822  | 9436  | 9109  | 8825  | 8356  | 7815  | 7399  | 7168  | 6768  | 6368  | 6068  |
| LB6871            | LB78130              | 8000                                | 55115                       | 44768 | 36363 | 32198 | 29536 | 27623 | 26153 | 24971 | 23990 | 23157 | 22437 | 21243 | 19867 | 18810 | 18224 | 17429 | 16604 | 15844 |
| LB6872            |                      | 20000                               | 41869                       | 34008 | 27623 | 24459 | 22437 | 20984 | 19867 | 18969 | 18224 | 17592 | 17044 | 16137 | 15092 | 14289 | 13844 | 13107 | 12259 | 11606 |
| LB68M115          |                      | 40000                               | 34008                       | 27623 | 22437 | 19867 | 18224 | 17044 | 16137 | 15408 | 14803 | 14289 | 13844 | 13107 | 12259 | 11606 | 11245 | 10606 | 10006 | 9446  |
|                   |                      | 100000                              | 25834                       | 20984 | 17044 | 15092 | 13844 | 12948 | 12259 | 11705 | 11245 | 10855 | 10517 | 9957  | 9312  | 8817  | 8542  | 8042  | 7542  | 7042  |
| LB6879            | LB78140              | 8000                                | 63980                       | 51968 | 42211 | 37377 | 34286 | 32066 | 30359 | 28987 | 27849 | 26882 | 26046 | 24659 | 23063 | 21835 | 21096 | 20128 | 19292 | 18556 |
| LB6880            |                      | 20000                               | 48603                       | 39478 | 32066 | 28393 | 26046 | 24359 | 23063 | 22020 | 21156 | 20421 | 19786 | 18733 | 17520 | 16587 | 15911 | 15087 | 14363 | 13739 |
| LB68M125          |                      | 40000                               | 39478                       | 32066 | 26046 | 23063 | 21156 | 19786 | 18733 | 17886 | 17184 | 16587 | 16071 | 15216 | 14230 | 13473 | 12899 | 12275 | 11651 | 11027 |
|                   |                      | 100000                              | 29990                       | 24359 | 19786 | 17520 | 16071 | 15030 | 14230 | 13587 | 13054 | 12601 | 12209 | 11559 | 10810 | 10235 | 9660  | 9085  | 8510  | 7935  |
| LB6883            | LB78150              | 8000                                | 73230                       | 59481 | 48314 | 42780 | 39243 | 36702 | 34748 | 33178 | 31875 | 30769 | 29811 | 28225 | 26397 | 24992 | 23977 | 22962 | 21947 | 21122 |
| LB68M135          |                      | 20000                               | 55630                       | 45186 | 36702 | 32498 | 29811 | 27881 | 26397 | 25204 | 24214 | 23374 | 22646 | 21441 | 20053 | 18985 | 18257 | 17429 | 16601 | 15873 |
|                   |                      | 40000                               | 45186                       | 36702 | 29811 | 26397 | 24214 | 22646 | 21441 | 20472 | 19668 | 18985 | 18395 | 17415 | 16288 | 15421 | 14847 | 14073 | 13399 | 12825 |
|                   |                      | 100000                              | 34326                       | 27881 | 22646 | 20053 | 18395 | 17204 | 16288 | 15552 | 14941 | 14422 | 13974 | 13230 | 12373 | 11715 | 11157 | 10599 | 10041 | 9483  |
| LB6887            | LB78160              | 8000                                | 83251                       | 67621 | 54925 | 48635 | 44613 | 41724 | 39504 | 37718 | 36237 | 34979 | 33891 | 32087 | 30303 | 28739 | 28293 | 27447 | 26501 | 25655 |
| LB68M140          |                      | 20000                               | 63242                       | 51369 | 41724 | 36946 | 33891 | 31696 | 30009 | 28653 | 27528 | 26572 | 25745 | 24375 | 22797 | 21409 | 20611 | 19665 | 18819 | 18073 |
|                   |                      | 40000                               | 51369                       | 41724 | 33891 | 30009 | 27528 | 25745 | 24375 | 23273 | 22360 | 21583 | 20912 | 19799 | 18517 | 17466 | 16739 | 15911 | 15183 | 14455 |
|                   |                      | 100000                              | 39023                       | 31696 | 25745 | 22797 | 20912 | 19558 | 18517 | 17680 | 16986 | 16396 | 15806 | 15040 | 14066 | 13339 | 12771 | 12203 | 11635 | 11067 |

**Table 4 • Series 6900, 7900, SAF22600, SAF22300 Load Ratings and Speed Limits**

| Basic Bearing Number |           |                      |        | Bearing Size Number | Co Static Load Rating | C Basic Load Rating | Approximate Speed Limit RPM* |        | e    | $\frac{F_a}{F_r} \leq e$ |     | $\frac{F_a}{F_r} > e$ |     |
|----------------------|-----------|----------------------|--------|---------------------|-----------------------|---------------------|------------------------------|--------|------|--------------------------|-----|-----------------------|-----|
| Adapter Mounted      |           | Direct Shaft Mounted |        |                     |                       |                     | Oil                          | Grease |      | X1                       | Y1  | X2                    | Y2  |
| Shaft Diameter       | Number    | Bearing Seat mm      | Number |                     |                       |                     |                              |        |      |                          |     |                       |     |
| inches               |           |                      |        | pounds/newtons      | pounds/newtons        |                     |                              |        |      |                          |     |                       |     |
| 1 7/16               | LB6923    | 45                   | LB7945 | 22309LB             | 40000                 | 35500               | 4800                         | 3800   | 0.36 | 1.00                     | 1.9 | 0.67                  | 2.8 |
| 1 1/2                | LB6924    |                      |        |                     | 178000                | 158000              |                              |        |      |                          |     |                       |     |
| 1 11/16              | LB6927    | 50                   | LB7950 | 22310LB             | 48000                 | 42500               | 4300                         | 3400   | 0.36 | 1.00                     | 1.9 | 0.67                  | 2.8 |
|                      |           |                      |        |                     | 214000                | 189000              |                              |        |      |                          |     |                       |     |
| 1 15/16              | LB6931    | 55                   | LB7955 | 22311LB             | 57000                 | 50000               | 4000                         | 3200   | 0.36 | 1.00                     | 1.9 | 0.67                  | 2.8 |
| 2                    | LB6932    |                      |        |                     | 254000                | 222000              |                              |        |      |                          |     |                       |     |
| 2 3/16               | LB6935    | 65                   | LB7965 | 22313LB             | 80000                 | 65500               | 3400                         | 2600   | 0.34 | 1.00                     | 2.0 | 0.67                  | 3.0 |
|                      |           |                      |        |                     | 356000                | 291000              |                              |        |      |                          |     |                       |     |
| 2 7/16               | LB6939    | 75                   | LB7975 | 22315LB             | 98000                 | 83000               | 3000                         | 2200   | 0.34 | 1.00                     | 2.0 | 0.67                  | 3.0 |
| 2 1/2                | LB6940    |                      |        |                     | 436000                | 369000              |                              |        |      |                          |     |                       |     |
| 2 11/16              | LB6943    | 80                   | LB7980 | 22316LB             | 112000                | 93000               | 2800                         | 2000   | 0.34 | 1.00                     | 2.0 | 0.67                  | 3.0 |
|                      |           |                      |        |                     | 498000                | 414000              |                              |        |      |                          |     |                       |     |
| 2 15/16              | LB6947    | 85                   | LB7985 | 22317LB             | 122000                | 102000              | 2600                         | 1900   | 0.33 | 1.00                     | 2.0 | 0.67                  | 3.0 |
|                      |           |                      |        |                     | 543000                | 454000              |                              |        |      |                          |     |                       |     |
| 3 3/16               | 22618-303 | 90                   | 22318  | 22318LB             | 140000                | 114000              | 2400                         | 1800   | 0.33 | 1.00                     | 2.0 | 0.67                  | 3.0 |
|                      |           |                      |        |                     | 623000                | 507000              |                              |        |      |                          |     |                       |     |
| 3 7/16               | 22620-307 | 100                  | 22320  | 22320LB             | 183000                | 146000              | 2200                         | 1700   | 0.34 | 1.00                     | 2.0 | 0.67                  | 3.0 |
| 3 1/2                | 22620-308 |                      |        |                     | 814000                | 649000              |                              |        |      |                          |     |                       |     |
| 3 15/16              | 22622-315 | 110                  | 22322  | 22322LB             | 236000                | 180000              | 2000                         | 1600   | 0.33 | 1.00                     | 2.1 | 0.67                  | 3.1 |
| 4                    | 22622-400 |                      |        |                     | 1050000               | 801000              |                              |        |      |                          |     |                       |     |
| 4 3/16               | 22624-403 | 120                  | 22324  | 22324LB             | 260000                | 204000              | 1800                         | 1400   | 0.33 | 1.00                     | 2.1 | 0.67                  | 3.1 |
|                      |           |                      |        |                     | 1160000               | 907000              |                              |        |      |                          |     |                       |     |
| 4 7/16               | 22626-407 | 130                  | 22326  | 22326LB             | 305000                | 236000              | 1700                         | 1300   | 0.33 | 1.00                     | 2.1 | 0.67                  | 3.1 |
|                      |           |                      |        |                     | 1360000               | 1050000             |                              |        |      |                          |     |                       |     |
| 4 15/16              | 22628-415 | 140                  | 22328  | 22328LB             | 360000                | 275000              | 1500                         | 1100   | 0.34 | 1.00                     | 2.0 | 0.67                  | 3.0 |
| 5                    | 22628-500 |                      |        |                     | 1600000               | 1220000             |                              |        |      |                          |     |                       |     |
| 5 3/16               | 22630-503 | 150                  | 22330  | 22330LB             | 405000                | 310000              | 1400                         | 1000   | 0.33 | 1.00                     | 2.0 | 0.67                  | 3.0 |
|                      |           |                      |        |                     | 1800000               | 1380000             |                              |        |      |                          |     |                       |     |
| 5 7/16               | 22632-507 | 160                  | 22332  | 22332LB             | 425000                | 325000              | 1300                         | 950    | 0.37 | 1.00                     | 1.8 | 0.67                  | 2.7 |
|                      |           |                      |        |                     | 1890000               | 1450000             |                              |        |      |                          |     |                       |     |
| 5 15/16              | 22634-515 | 170                  | 22334  | 22334LB             | 475000                | 360000              | 1300                         | 950    | 0.37 | 1.00                     | 1.8 | 0.67                  | 2.7 |
|                      |           |                      |        |                     | 2110000               | 1600000             |                              |        |      |                          |     |                       |     |

If the load P is greater than .25C, consult Rexnord Bearing Division.

\*Speed limits are based on the following:

1. Negligible seal torque (e.g., non-contact seals)
2. Proper operating internal clearance.
3. Adequate lubrication and maintenance (special lubricants and/or more frequent relubrication may be required).
4. Normal room temperature environment and no extraneous heat sources, such that bearing operating temperature does not exceed 100°C (212°F).
5. Equivalent radial load not greater than 7% of C.
6. Axial load, if any, not greater than 20% of radial load.

**Table 5 • Radial Load Ratings in Pounds at Various RPM for Appropriate L<sub>10</sub> Life Hours**

| Basic Unit Number  |                         | L <sub>10</sub><br>Minimum<br>Life,<br>hours | Radial Load Ratings, Pounds |        |       |       |       |       |       |       |       |       |       |       |       |       |       |       |       |       |
|--------------------|-------------------------|--|-----------------------------|--------|-------|-------|-------|-------|-------|-------|-------|-------|-------|-------|-------|-------|-------|-------|-------|-------|
| Adapter<br>Mounted | Direct Shaft<br>Mounted |  | Speed, RPM                  |        |       |       |       |       |       |       |       |       |       |       |       |       |       |       |       |       |
|                    |                         |  | 50                          | 100    | 200   | 300   | 400   | 500   | 600   | 700   | 800   | 900   | 1000  | 1200  | 1500  | 1800  | 2000  | 2500  | 3000  | 3500  |
| LB6923             | LB7945                  | 8000   | 13682                       | 11114  | 9027  | 7993  | 7332  | 6857  | 6492  | 6199  | 5956  | 5749  | 5570  | 5274  | 4932  | 4670  | 4524  | 4231  | 4006  | 3825  |
| LB6924             |                         | 20000  | 10394                       | 8443   | 6857  | 6072  | 5570  | 5209  | 4932  | 4709  | 4524  | 4367  | 4231  | 4006  | 3747  | 3547  | 3437  | 3214  | 3043  | 2906  |
|                    |                         | 40000  | 8443                        | 6857   | 5570  | 4932  | 4524  | 4231  | 4006  | 3825  | 3675  | 3547  | 3437  | 3254  | 3043  | 2881  | 2792  | 2611  | 2472  | 2360  |
|                    |                         | 100000                                       | 6413                        | 5209   | 4231  | 3747  | 3437  | 3214  | 3043  | 2906  | 2792  | 2695  | 2611  | 2472  | 2312  | 2189  | 2121  | 1983  | 1878  | 1793  |
| LB6927             | LB7950                  | 8000   | 16380                       | 13305  | 10807 | 9569  | 8778  | 8210  | 7773  | 7421  | 7130  | 6882  | 6668  | 6313  | 5905  | 5590  | 5416  | 5066  | 4796  | 4579  |
|                    |                         | 20000  | 12444                       | 10107  | 8210  | 7269  | 6668  | 6237  | 5905  | 5638  | 5416  | 5228  | 5066  | 4796  | 4485  | 4247  | 4115  | 3848  | 3643  | 3479  |
|                    |                         | 40000  | 10107                       | 8210   | 6668  | 5905  | 5416  | 5066  | 4796  | 4579  | 4399  | 4247  | 4115  | 3896  | 3643  | 3449  | 3342  | 3126  | 2959  | 2826  |
|                    |                         | 100000                                       | 7678                        | 6237   | 5066  | 4485  | 4115  | 3848  | 3643  | 3479  | 3342  | 3226  | 3126  | 2959  | 2768  | 2620  | 2539  | 2374  | 2248  | 2146  |
| LB6931             | LB7955                  | 8000   | 19271                       | 15653  | 12714 | 11258 | 10327 | 9658  | 9144  | 8731  | 8388  | 8097  | 7845  | 7428  | 6947  | 6577  | 6372  | 5960  | 5642  | 5387  |
| LB6932             |                         | 20000  | 14639                       | 11891  | 9658  | 8552  | 7845  | 7337  | 6947  | 6633  | 6372  | 6151  | 5960  | 5642  | 5277  | 4996  | 4841  | 4527  | 4286  | 4093  |
|                    |                         | 40000  | 11891                       | 9658   | 7845  | 6947  | 6372  | 5960  | 5642  | 5387  | 5176  | 4996  | 4841  | 4583  | 4286  | 4058  | 3932  | 3677  | 3482  | 3324  |
|                    |                         | 100000                                       | 9033                        | 7337   | 5960  | 5277  | 4841  | 4527  | 4286  | 4093  | 3932  | 3795  | 3677  | 3482  | 3256  | 3083  | 2987  | 2793  | 2645  | 2525  |
| LB6935             | LB7965                  | 8000   | 25245                       | 20505  | 16656 | 14748 | 13529 | 12653 | 11979 | 11438 | 10989 | 10607 | 10277 | 9730  | 9100  | 8616  | 8348  | 7807  | 7391  | 7057  |
|                    |                         | 20000  | 19178                       | 15577  | 12653 | 11203 | 10277 | 9612  | 9100  | 8689  | 8348  | 8058  | 7807  | 7391  | 6913  | 6545  | 6341  | 5931  | 5615  | 5361  |
|                    |                         | 40000  | 15577                       | 12653  | 10277 | 9100  | 8348  | 7807  | 7391  | 7057  | 6780  | 6545  | 6341  | 6004  | 5615  | 5316  | 5151  | 4817  | 4561  | 4355  |
|                    |                         | 100000                                       | 11833                       | 9612   | 7807  | 6913  | 6341  | 5931  | 5615  | 5361  | 5151  | 4972  | 4817  | 4561  | 4265  | 4038  | 3913  | 3659  | 3465  | 3308  |
| LB6939             | LB7975                  | 8000   | 31990                       | 25984  | 21106 | 18688 | 17143 | 16033 | 15180 | 14494 | 13924 | 13441 | 13023 | 12330 | 11531 | 10918 | 10578 | 9893  | 9366  | 8943  |
| LB6940             |                         | 20000  | 24301                       | 19739  | 16033 | 14197 | 13023 | 12180 | 11531 | 11010 | 10578 | 10211 | 9893  | 9366  | 8760  | 8294  | 8036  | 7515  | 7115  | 6794  |
|                    |                         | 40000  | 19739                       | 16033  | 13023 | 11531 | 10578 | 9893  | 9366  | 8943  | 8592  | 8294  | 8036  | 7608  | 7115  | 6736  | 6527  | 6104  | 5779  | 5518  |
|                    |                         | 100000                                       | 14995                       | 12180  | 9893  | 8760  | 8036  | 7515  | 7115  | 6794  | 6527  | 6300  | 6104  | 5779  | 5405  | 5117  | 4958  | 4637  | 4390  | 4192  |
| LB6943             | LB7980                  | 8000   | 35844                       | 29115  | 23648 | 20940 | 19208 | 17965 | 17008 | 16240 | 15602 | 15060 | 14592 | 13815 | 12921 | 12233 | 11852 | 11085 | 10495 | 10021 |
|                    |                         | 20000  | 27229                       | 22117  | 17965 | 15907 | 14592 | 13647 | 12921 | 12337 | 11852 | 11441 | 11085 | 10495 | 9815  | 9293  | 9004  | 8421  | 7972  | 7612  |
|                    |                         | 40000  | 22117                       | 17965  | 14592 | 12921 | 11852 | 11085 | 10495 | 10021 | 9627  | 9293  | 9004  | 8524  | 7972  | 7548  | 7313  | 6840  | 6476  | 6183  |
|                    |                         | 100000                                       | 16801                       | 13647  | 11085 | 9815  | 9004  | 8421  | 7972  | 7612  | 7313  | 7059  | 6804  | 6476  | 6056  | 5734  | 5556  | 5196  | 4919  | 4697  |
| LB6947             | LB7985                  | 8000   | 39313                       | 31932  | 25937 | 22966 | 21067 | 19703 | 18654 | 17811 | 17112 | 16518 | 16004 | 15152 | 14171 | 13417 | 12999 | 12158 | 11510 | 10990 |
|                    |                         | 20000  | 29864                       | 24257  | 19703 | 17447 | 16004 | 14968 | 14171 | 13531 | 12999 | 12548 | 12158 | 11510 | 10765 | 10192 | 9875  | 9236  | 8744  | 8349  |
|                    |                         | 40000  | 24257                       | 19703  | 16004 | 14171 | 12999 | 12158 | 11510 | 10990 | 10559 | 10192 | 9875  | 9349  | 8744  | 8279  | 8021  | 7502  | 7102  | 6781  |
|                    |                         | 100000                                       | 18427                       | 14968  | 12158 | 10765 | 9875  | 9236  | 8744  | 8349  | 8021  | 7743  | 7502  | 7102  | 6642  | 6289  | 6093  | 5699  | 5395  | 5152  |
| 22618              | 22318                   | 8000   | 43938                       | 35689  | 28988 | 25668 | 23546 | 22021 | 20849 | 19907 | 19125 | 18461 | 17887 | 16935 | 15838 | 14995 | 14529 | 13588 | 12865 | 12283 |
|                    |                         | 20000  | 33378                       | 27111  | 22021 | 19499 | 17887 | 16729 | 15838 | 15122 | 14529 | 14024 | 13588 | 12865 | 12032 | 11391 | 11037 | 10322 | 9773  | 9331  |
|                    |                         | 40000  | 27111                       | 22021  | 17887 | 15838 | 14529 | 13588 | 12865 | 12283 | 11801 | 11391 | 11037 | 10449 | 9773  | 9253  | 8965  | 8384  | 7938  | 7579  |
|                    |                         | 100000                                       | 20595                       | 16729  | 13588 | 12032 | 11037 | 10322 | 9773  | 9331  | 8965  | 8653  | 8384  | 7938  | 7424  | 7029  | 6810  | 6369  | 6030  | 5758  |
| 22620              | 22320                   | 8000   | 56272                       | 45707  | 37125 | 32873 | 30155 | 28203 | 26701 | 25495 | 24494 | 23643 | 22908 | 21688 | 20284 | 19204 | 18607 | 17402 | 16476 | 15731 |
|                    |                         | 20000  | 42747                       | 34722  | 28203 | 24973 | 22908 | 21424 | 20284 | 19367 | 18607 | 17961 | 17402 | 16476 | 15409 | 14589 | 14135 | 13220 | 12516 | 11950 |
|                    |                         | 40000  | 34722                       | 28203  | 22908 | 20284 | 18607 | 17402 | 16476 | 15731 | 15113 | 14589 | 14135 | 13382 | 12516 | 11850 | 11481 | 10738 | 10166 | 9707  |
|                    |                         | 100000                                       | 26376                       | 21424  | 17402 | 15409 | 14135 | 13220 | 12516 | 11950 | 11481 | 11082 | 10738 | 10166 | 9508  | 9002  | 8722  | 8157  | 7723  | 7374  |
| 22622              | 22322                   | 8000   | 69376                       | 56351  | 45771 | 40529 | 37178 | 34770 | 32920 | 31432 | 30198 | 29149 | 28242 | 26739 | 25008 | 23677 | 22940 | 21454 | 20313 | 19395 |
|                    |                         | 20000  | 52702                       | 42807  | 34770 | 30788 | 28242 | 26414 | 25008 | 23877 | 22940 | 22143 | 21454 | 20313 | 18997 | 17986 | 17426 | 16298 | 15431 | 14733 |
|                    |                         | 40000  | 42807                       | 34770  | 28242 | 25008 | 22940 | 21454 | 20313 | 19395 | 18633 | 17986 | 17426 | 16499 | 15431 | 14609 | 14155 | 13238 | 12534 | 11967 |
|                    |                         | 100000                                       | 32519                       | 26414  | 21454 | 18997 | 17426 | 16298 | 15431 | 14733 | 14155 | 13663 | 13238 | 12534 | 11722 | 11098 | 10753 | 10056 | 9521  | 9091  |
| 22624              | 22324                   | 8000   | 78626                       | 63864  | 51874 | 45933 | 42135 | 39406 | 37309 | 35623 | 34224 | 33036 | 32008 | 30304 | 28342 | 26833 | 25999 | 24315 | 23021 | 21980 |
|                    |                         | 20000  | 59729                       | 48515  | 39406 | 34893 | 32008 | 29935 | 28342 | 27061 | 25999 | 25096 | 24315 | 23021 | 21530 | 20384 | 19750 | 18699 | 17488 | 16698 |
|                    |                         | 40000  | 48515                       | 39406  | 32008 | 28342 | 25999 | 24315 | 23021 | 21980 | 21117 | 20384 | 19750 | 18699 | 17488 | 16557 | 16042 | 15003 | 14205 | 13563 |
|                    |                         | 100000                                       | 36855                       | 29935  | 24315 | 21530 | 19750 | 18471 | 17488 | 16698 | 16042 | 15485 | 15003 | 14205 | 13285 | 12578 | 12186 | 11397 | 10791 | 10303 |
| 22626              | 22326                   | 8000   | 90960                       | 73882  | 60011 | 53138 | 48744 | 45588 | 43161 | 41211 | 39592 | 38218 | 37029 | 35058 | 32788 | 31043 | 30077 | 28129 | 26632 | 25428 |
|                    |                         | 20000  | 69098                       | 56125  | 45588 | 40367 | 37029 | 34631 | 32788 | 31306 | 30077 | 29033 | 28129 | 26632 | 24908 | 23582 | 22848 | 21369 | 20231 | 19317 |
|                    |                         | 40000  | 56125                       | 45588  | 37029 | 32788 | 30077 | 28129 | 26632 | 25428 | 24430 | 23582 | 22848 | 21632 | 20231 | 19154 | 18558 | 17357 | 16433 | 15690 |
|                    |                         | 100000                                       | 42636                       | 34631  | 28129 | 24908 | 22848 | 21369 | 20231 | 19317 | 18558 | 17914 | 17357 | 16433 | 15369 | 14551 | 14098 | 13185 | 12483 | 11919 |
| 22628              | 22328                   | 8000   | 105991                      | 86092  | 69928 | 61919 | 56799 | 53121 | 50294 | 48021 | 46135 | 44534 | 43148 | 40851 | 38206 | 36173 | 35047 | 32778 | 31033 | 29631 |
|                    |                         | 20000  | 80517                       | 65400  | 53121 | 47037 | 43148 | 40354 | 38206 | 36480 | 35047 | 33830 | 32778 | 31033 | 29024 | 27479 | 26624 | 24900 | 23574 | 22509 |
|                    |                         | 40000  | 65400                       | 53121  | 43148 | 38206 | 35047 | 32778 | 31033 | 29631 | 28467 | 27479 | 26624 | 25207 | 23574 | 22320 | 21625 | 20225 | 19148 | 18283 |
|                    |                         | 100000                                       | 49682                       | 40354  | 32778 | 29024 | 26624 | 24900 | 23574 | 22509 | 21625 | 20874 | 20225 | 19148 | 17909 | 16955 | 16428 | 15364 | 14546 | 13889 |
| 22630              | 22330                   | 8000   | 119481                      | 97049  | 78828 | 69800 | 64028 | 59882 | 56695 | 54133 | 52007 | 50201 | 48640 | 46051 | 43069 | 40776 | 39508 | 36949 | 34983 | 33402 |
|                    |                         | 20000  | 90765                       | 73724  | 59882 | 53024 | 48640 | 45490 | 43069 | 41122 | 39508 | 38136 | 36949 | 34983 | 32717 | 30976 | 30012 | 28069 | 26575 | 25374 |
|                    |                         | 40000  | 73724                       | 59882  | 48640 | 43069 | 39508 | 36949 | 34983 | 33402 | 32090 | 30976 | 30012 | 28415 | 26575 | 25160 | 24378 | 22799 | 21585 | 20610 |
|                    |                         | 100000                                       | 56005                       | 45490  | 36949 | 32717 | 30012 | 28069 | 26575 | 25374 | 24378 | 23531 | 22799 | 21585 | 20188 | 19113 | 18519 | 17319 | 16398 | 15657 |
| 22632              | 22332                   | 8000   | 125262                      | 101745 | 82642 | 73177 | 67126 | 62780 | 59438 | 56752 | 54524 | 52631 | 50993 | 48279 | 45153 | 42749 | 41419 | 38737 | 36675 | 35018 |
|                    |                         | 20000  | 95156                       | 77291  | 62780 | 55589 | 50993 | 47691 | 45153 | 43112 | 41419 | 39981 | 38737 | 36675 | 34301 | 32475 | 31464 | 29427 | 27861 | 26602 |
|                    |                         | 40000  | 77291                       | 62780  | 50993 | 45153 | 41419 | 38737 | 36675 | 35018 | 33643 | 32475 | 31464 | 29790 | 27861 | 26378 | 25557 | 23902 | 22630 | 21607 |
|                    |                         | 100000                                       | 58715                       | 47691  | 38737 | 34301 | 31464 | 29427 | 27861 | 26602 | 25557 | 24670 | 23902 | 22630 | 21165 | 20038 | 19415 | 18157 | 17191 | 16414 |

**Table 6 • Series PLB23000K and PLB23000 Load Ratings and Speed Limits**

| Basic Bearing Number          |         |                         |        | Co<br>Static Load Rating |          | C<br>Basic Load Rating |         | Approximate<br>Speed Limit RPM |      | e    | Fa/Fr ≤ e |      | Fa/Fr > e |      |
|-------------------------------|---------|-------------------------|--------|--------------------------|----------|------------------------|---------|--------------------------------|------|------|-----------|------|-----------|------|
| Adapter Mounted               |         | Direct Shaft Mounted    |        |                          |          |                        |         |                                |      |      | X1        | Y1   | X2        | Y2   |
| Shaft<br>diameter<br>(inches) | Number  | Bearing<br>Seat<br>(mm) | Number | pounds                   | newtons  | pounds                 | newtons | Grease                         | Oil  |      |           |      |           |      |
| 7-15/16<br>8                  | 23044K  | 220                     | 23044  | 445100                   | 1980000  | 254000                 | 1090000 | 950                            | 1200 | 0.24 | 1.00      | 2.80 | 0.67      | 4.10 |
| 8-1/2<br>8-15/16<br>9         | 23048K  | 240                     | 23048  | 490000                   | 2180000  | 260000                 | 1160000 | 950                            | 1100 | 0.25 | 1.00      | 2.70 | 0.67      | 4.10 |
| 9-7/16<br>9-1/2               | 23052K  | 260                     | 23052  | 580000                   | 2580000  | 321500                 | 1430000 | 800                            | 950  | 0.25 | 1.00      | 2.70 | 0.67      | 4.10 |
| 9-15/16<br>10<br>10-7/16      | 23056K  | 280                     | 23056  | 670000                   | 2980000  | 345000                 | 1530000 | 800                            | 950  | 0.25 | 1.00      | 2.70 | 0.67      | 4.10 |
| 10-15/16<br>11                | 23060K  | 300                     | 23060  | 832000                   | 3700000  | 431600                 | 1920000 | 670                            | 850  | 0.24 | 1.00      | 2.80 | 0.67      | 4.20 |
| 11-15/16<br>12                | 23064K  | 320                     | 23064  | 865500                   | 3850000  | 440600                 | 1960000 | 630                            | 800  | 0.24 | 1.00      | 2.80 | 0.67      | 4.20 |
| 12-1/2                        | 23068K  | 340                     | 23068  | 989200                   | 4400000  | 512600                 | 2280000 | 560                            | 710  | 0.24 | 1.00      | 2.80 | 0.67      | 4.20 |
| 12-15/16<br>13                | 23072K  | 360                     | 23072  | 1056600                  | 4700000  | 537500                 | 2390000 | 530                            | 670  | 0.24 | 1.00      | 2.80 | 0.67      | 4.20 |
| 13-15/16<br>14                | 23076K  | 380                     | 23076  | 1146500                  | 5100000  | 562000                 | 2500000 | 530                            | 630  | 0.22 | 1.00      | 3.00 | 0.67      | 4.50 |
| 15                            | 23080K  | 400                     | 23080  | 1326500                  | 5900000  | 668000                 | 2970000 | 480                            | 600  | 0.23 | 1.00      | 3.00 | 0.67      | 4.40 |
| 15-3/4                        | 23084K  | 420                     | 23084  | 1315200                  | 5850000  | 654200                 | 2910000 | 450                            | 560  | 0.23 | 1.00      | 2.90 | 0.67      | 4.30 |
| 16-1/2                        | 23088K  | 440                     | 23088  | 1427500                  | 6350000  | 708200                 | 3150000 | 430                            | 530  | 0.23 | 1.00      | 2.90 | 0.67      | 4.30 |
| 17                            | 23092K  | 460                     | 23092  | 1596200                  | 7100000  | 775600                 | 3450000 | 400                            | 500  | 0.22 | 1.00      | 3.10 | 0.67      | 4.60 |
| 18                            | 23096K  | 480                     | 23096  | 1787200                  | 7950000  | 854300                 | 3800000 | 400                            | 480  | 0.22 | 1.00      | 3.10 | 0.67      | 4.60 |
| 19-1/2                        | 230530K |                         |        | 2068200                  | 9200000  | 989200                 | 4400000 | 340                            | 430  | 0.22 | 1.00      | 3.10 | 0.67      | 4.60 |
| 21                            | 230560K |                         |        | 2405500                  | 10700000 | 1124000                | 5000000 | 320                            | 400  | 0.22 | 1.00      | 3.00 | 0.67      | 4.50 |
| 22                            | 230600K |                         |        | 2743000                  | 12200000 | 1225200                | 5450000 | 300                            | 360  | 0.21 | 1.00      | 3.30 | 0.67      | 4.80 |
| 24                            | 230630K |                         |        | 2855000                  | 12700000 | 1326400                | 5900000 | 280                            | 340  | 0.22 | 1.00      | 3.10 | 0.67      | 4.70 |

**Table 7 • Radial Load Ratings in Pounds at Various RPM for Appropriate L<sub>10</sub> Life Hours**

| Basic Unit Number | L <sub>10</sub> Minimum Life (hours) | Radial Load Ratings, Pounds |        |        |        |        |        |        |       |       |       |       |       |
|-------------------|--------------------------------------|-----------------------------|--------|--------|--------|--------|--------|--------|-------|-------|-------|-------|-------|
|                   |                                      | Speed, RPM                  |        |        |        |        |        |        |       |       |       |       |       |
|                   |                                      | 50                          | 100    | 200    | 300    | 400    | 500    | 600    | 700   | 800   | 900   | 1000  | 1200  |
| 23044             | 8000                                 | *                           | *      | *      | 57191  | 52462  | 49065  | 46453  | 44354 | 42612 | 41133 | 39853 | 37732 |
|                   | 20000                                | *                           | 60406  | 49065  | 43445  | 39853  | 37272  | 35289  | 33694 | 32371 | 31247 | 30275 | 28663 |
|                   | 40000                                | 60406                       | 49065  | 39853  | 35289  | 32371  | 30275  | 28663  | 27368 | 26293 | 25380 | 24591 | 23282 |
|                   | 100000                               | 45888                       | 37272  | 30275  | 26807  | 24591  | 22998  | 21774  | 20790 | 19974 | 19280 | 18680 | 17686 |
| 23048             | 8000                                 | *                           | *      | *      | 58542  | 53701  | 50224  | 47551  | 45402 | 43619 | 42104 | 40794 |       |
|                   | 20000                                | *                           | 61833  | 50224  | 44472  | 40794  | 38153  | 36122  | 34490 | 33135 | 31985 | 30990 |       |
|                   | 40000                                | 61833                       | 50224  | 40794  | 36122  | 33135  | 30990  | 29340  | 28014 | 26914 | 25980 | 25172 |       |
|                   | 100000                               | 46972                       | 38153  | 30990  | 27440  | 25172  | 23542  | 22289  | 21281 | 20446 | 19736 | 19122 |       |
| 23052             | 8000                                 | *                           | *      | *      | 72389  | 66403  | 62104  | 58798  | 56141 | 53936 | 52064 |       |       |
|                   | 20000                                | *                           | 76459  | 62104  | 54991  | 50444  | 47178  | 44666  | 42648 | 40973 | 39551 |       |       |
|                   | 40000                                | 76459                       | 62104  | 50444  | 44666  | 40973  | 38320  | 36280  | 34641 | 33281 | 32125 |       |       |
|                   | 100000                               | 58082                       | 47178  | 38320  | 33931  | 31126  | 29110  | 27561  | 26315 | 25282 | 24404 |       |       |
| 23056             | 8000                                 | *                           | *      | *      | 77680  | 71257  | 66643  | 63096  | 60244 | 57879 | 55869 |       |       |
|                   | 20000                                | *                           | 82047  | 66643  | 59010  | 54131  | 50626  | 47931  | 45765 | 43968 | 42442 |       |       |
|                   | 40000                                | 82047                       | 66643  | 54131  | 47931  | 43968  | 41121  | 38932  | 37173 | 35713 | 34473 |       |       |
|                   | 100000                               | 62328                       | 50626  | 41121  | 36411  | 33401  | 31238  | 29575  | 28239 | 27130 | 26188 |       |       |
| 23060             | 8000                                 | *                           | *      | *      | 97179  | 89144  | 83372  | 78934  | 75367 | 72407 |       |       |       |
|                   | 20000                                | *                           | 102642 | 83372  | 73823  | 67719  | 63334  | 59963  | 57253 | 55005 |       |       |       |
|                   | 40000                                | 102642                      | 83372  | 67719  | 59963  | 55005  | 51443  | 48705  | 46504 | 44678 |       |       |       |
|                   | 100000                               | 77973                       | 63334  | 51443  | 45551  | 41785  | 39079  | 36999  | 35327 | 33940 |       |       |       |
| 23064             | 8000                                 | *                           | *      | *      | 99205  | 91003  | 85110  | 80580  | 76938 | 73917 |       |       |       |
|                   | 20000                                | *                           | 104783 | 85110  | 75362  | 69131  | 64655  | 61213  | 58447 | 56152 |       |       |       |
|                   | 40000                                | 104783                      | 85110  | 69131  | 61213  | 56152  | 52516  | 49721  | 47474 | 45609 |       |       |       |
|                   | 100000                               | 79599                       | 64655  | 52516  | 46501  | 42656  | 39894  | 37771  | 36064 | 34648 |       |       |       |
| 23068             | 8000                                 | *                           | *      | *      | 115417 | 105874 | 99018  | 93748  | 89511 |       |       |       |       |
|                   | 20000                                | *                           | 121906 | 99018  | 87677  | 80428  | 75220  | 71216  | 67998 |       |       |       |       |
|                   | 40000                                | 121906                      | 99018  | 80428  | 71216  | 65328  | 61098  | 57846  | 55231 |       |       |       |       |
|                   | 100000                               | 92607                       | 75220  | 61098  | 54100  | 49627  | 46413  | 43943  | 41957 |       |       |       |       |
| 23072             | 8000                                 | *                           | *      | *      | 121024 | 111017 | 103828 | 98302  |       |       |       |       |       |
|                   | 20000                                | *                           | 127827 | 103828 | 91936  | 84335  | 78874  | 74676  |       |       |       |       |       |
|                   | 40000                                | 127827                      | 103828 | 84335  | 74676  | 68501  | 64065  | 60655  |       |       |       |       |       |
|                   | 100000                               | 97105                       | 78874  | 64065  | 56728  | 52037  | 48668  | 46077  |       |       |       |       |       |
| 23076             | 8000                                 | *                           | *      | *      | 126540 | 116077 | 108561 | 102782 |       |       |       |       |       |
|                   | 20000                                | *                           | 133654 | 108561 | 96127  | 88179  | 82469  | 78079  |       |       |       |       |       |
|                   | 40000                                | 133654                      | 108561 | 88179  | 78079  | 71623  | 66986  | 63420  |       |       |       |       |       |
|                   | 100000                               | 101531                      | 82469  | 66986  | 59314  | 54409  | 50886  | 48178  |       |       |       |       |       |
| 23080             | 8000                                 | *                           | *      | *      | 150407 | 137970 | 129037 | 122168 |       |       |       |       |       |
|                   | 20000                                | *                           | 158863 | 129037 | 114258 | 104810 | 98024  | 92806  |       |       |       |       |       |
|                   | 40000                                | 158863                      | 129037 | 104810 | 92806  | 85132  | 79620  | 75382  |       |       |       |       |       |
|                   | 100000                               | 120681                      | 98024  | 79620  | 70501  | 64672  | 60484  | 57265  |       |       |       |       |       |
| 23084             | 8000                                 | *                           | *      | *      | 147300 | 135120 | 126371 |        |       |       |       |       |       |
|                   | 20000                                | *                           | 155581 | 126371 | 111897 | 102645 | 95999  |        |       |       |       |       |       |
|                   | 40000                                | 155581                      | 126371 | 102645 | 90889  | 83374  | 77975  |        |       |       |       |       |       |
|                   | 100000                               | 118188                      | 95999  | 77975  | 69044  | 63335  | 59234  |        |       |       |       |       |       |
| 23088             | 8000                                 | *                           | *      | *      | 159458 | 146273 | 136802 |        |       |       |       |       |       |
|                   | 20000                                | *                           | 168423 | 136802 | 121134 | 111118 | 103923 |        |       |       |       |       |       |
|                   | 40000                                | 168423                      | 136802 | 111118 | 98391  | 90256  | 84411  |        |       |       |       |       |       |
|                   | 100000                               | 127944                      | 103923 | 84411  | 74744  | 68563  | 64124  |        |       |       |       |       |       |
| 23092             | 8000                                 | *                           | *      | *      | 174634 | 160194 | 149822 |        |       |       |       |       |       |
|                   | 20000                                | *                           | 184452 | 149822 | 132662 | 121693 | 113813 |        |       |       |       |       |       |
|                   | 40000                                | 184452                      | 149822 | 121693 | 107755 | 98845  | 92445  |        |       |       |       |       |       |
|                   | 100000                               | 140120                      | 113813 | 92445  | 81857  | 75089  | 70227  |        |       |       |       |       |       |
| 23096             | 8000                                 | *                           | *      | *      | 192354 | 176449 |        |        |       |       |       |       |       |
|                   | 20000                                | *                           | 203168 | 165024 | 146123 | 134041 |        |        |       |       |       |       |       |
|                   | 40000                                | 203168                      | 165024 | 134041 | 118689 | 108875 |        |        |       |       |       |       |       |
|                   | 100000                               | 154338                      | 125362 | 101825 | 90163  | 82708  |        |        |       |       |       |       |       |
| 230530            | 8000                                 | *                           | *      | *      | 222728 | 204312 |        |        |       |       |       |       |       |
|                   | 20000                                | *                           | 235250 | 191082 | 169197 | 155207 |        |        |       |       |       |       |       |
|                   | 40000                                | 235250                      | 191082 | 155207 | 137431 | 126067 |        |        |       |       |       |       |       |
|                   | 100000                               | 178710                      | 145157 | 117904 | 104400 | 95768  |        |        |       |       |       |       |       |
| 230560            | 8000                                 | *                           | *      | *      | 253080 | 232154 |        |        |       |       |       |       |       |
|                   | 20000                                | *                           | 267308 | 217122 | 192254 | 176358 |        |        |       |       |       |       |       |
|                   | 40000                                | 267308                      | 217122 | 176358 | 156159 | 143247 |        |        |       |       |       |       |       |
|                   | 100000                               | 203063                      | 164938 | 133971 | 118627 | 108819 |        |        |       |       |       |       |       |
| 230600            | 8000                                 | *                           | *      | *      | 275866 |        |        |        |       |       |       |       |       |
|                   | 20000                                | *                           | 291375 | 236670 | 209564 |        |        |        |       |       |       |       |       |
|                   | 40000                                | 291375                      | 236670 | 192236 | 170219 |        |        |        |       |       |       |       |       |
|                   | 100000                               | 221345                      | 179788 | 146034 | 129308 |        |        |        |       |       |       |       |       |
| 230630            | 8000                                 | *                           | *      | *      | 298652 |        |        |        |       |       |       |       |       |
|                   | 20000                                | *                           | 315442 | 256219 | 226873 |        |        |        |       |       |       |       |       |
|                   | 40000                                | 315442                      | 256219 | 208114 | 184279 |        |        |        |       |       |       |       |       |
|                   | 100000                               | 239628                      | 194639 | 158096 | 139989 |        |        |        |       |       |       |       |       |

**Table 8 • Series PLB23100K and PLB23100 Load Ratings and Speed Limits**

| Basic Bearing Number          |         |                         |        | Co<br>Static Load Rating |          | C<br>Basic Load Rating |         | Approximate<br>Speed Limit<br>RPM |     | e    | Fa/Fr ≤ e |      | Fa/Fr > e |      |
|-------------------------------|---------|-------------------------|--------|--------------------------|----------|------------------------|---------|-----------------------------------|-----|------|-----------|------|-----------|------|
| Adapter<br>Mounted            |         | Direct Shaft<br>Mounted |        |                          |          |                        |         |                                   |     |      | X1        | Y1   | X2        | Y2   |
| Shaft<br>Diameter<br>(inches) | Number  | Bearing<br>Seat<br>(mm) | Number | pounds                   | newtons  | pounds                 | newtons | Grease                            | Oil |      |           |      |           |      |
| 8                             | 23144K  | 220                     | 23144  | 609200                   | 2710000  | 353000                 | 1570000 | 710                               | 950 | 0.30 | 1.00      | 2.20 | 0.67      | 3.30 |
| 8-15/16                       | 23148K  | 240                     | 23148  | 697000                   | 3100000  | 402500                 | 1790000 | 670                               | 850 | 0.30 | 1.00      | 2.20 | 0.67      | 3.30 |
| 9-7/16                        | 23152K  | 260                     | 23152  | 843000                   | 3750000  | 485500                 | 2160000 | 600                               | 800 | 0.32 | 1.00      | 2.10 | 0.67      | 3.20 |
| 10-7/16                       | 23156K  | 280                     | 23156  | 899300                   | 4000000  | 501500                 | 2230000 | 560                               | 750 | 0.30 | 1.00      | 2.20 | 0.67      | 3.30 |
| 10-15/16                      | 23160K  | 300                     | 23160  | 1079000                  | 4800000  | 600500                 | 2670000 | 500                               | 670 | 0.31 | 1.00      | 2.20 | 0.67      | 3.30 |
| 11-15/16                      | 23164K  | 320                     | 23164  | 1236500                  | 5500000  | 685700                 | 3050000 | 480                               | 600 | 0.31 | 1.00      | 2.10 | 0.67      | 3.20 |
| 12-7/16                       | 23168K  | 340                     | 23168  | 1483800                  | 6600000  | 809500                 | 3600000 | 430                               | 560 | 0.31 | 1.00      | 2.10 | 0.67      | 3.20 |
| 13-7/16                       | 23172K  | 360                     | 23172  | 1596200                  | 7100000  | 854500                 | 3800000 | 400                               | 530 | 0.31 | 1.00      | 2.20 | 0.67      | 3.20 |
| 13-15/16                      | 23176K  | 380                     | 23176  | 1708500                  | 7600000  | 899200                 | 4000000 | 400                               | 500 | 0.30 | 1.00      | 2.20 | 0.67      | 3.30 |
| 15                            | 23180K  | 400                     | 23180  | 1776000                  | 7900000  | 933000                 | 4150000 | 380                               | 480 | 0.29 | 1.00      | 2.30 | 0.67      | 3.40 |
| 15-3/4                        | 23184K  | 420                     | 23184  | 2113200                  | 9400000  | 1124000                | 5000000 | 340                               | 450 | 0.31 | 1.00      | 2.20 | 0.67      | 3.30 |
| 16-1/2                        | 23188K  | 440                     | 23188  | 2315500                  | 10300000 | 1191500                | 5300000 | 320                               | 430 | 0.30 | 1.00      | 2.20 | 0.67      | 3.30 |
| 17                            | 23192K  | 460                     | 23192  | 2450500                  | 10900000 | 1281400                | 5700000 | 300                               | 400 | 0.31 | 1.00      | 2.20 | 0.67      | 3.30 |
| 18                            | 23196K  | 480                     | 23196  | 2630500                  | 11700000 | 1360100                | 6050000 | 300                               | 380 | 0.31 | 1.00      | 2.20 | 0.67      | 3.30 |
| 19-1/2                        | 231530K | 530                     | 231530 | 3169800                  | 14100000 | 1607400                | 7150000 | 260                               | 340 | 0.30 | 1.00      | 2.20 | 0.67      | 3.30 |
| 21                            | 231560K | 560                     | 231560 | 3484500                  | 15500000 | 1764800                | 7850000 | 240                               | 320 | 0.30 | 1.00      | 2.20 | 0.67      | 3.40 |



**Table 9 • Radial Load Ratings in Pounds at Various RPM for Appropriate L<sub>10</sub> Life Hours**

| Basic Unit Number | L <sub>10</sub> Minimum Life (hours) | Radial Load Ratings, Pounds |        |        |        |        |        |        |       |       |       |
|-------------------|--------------------------------------|-----------------------------|--------|--------|--------|--------|--------|--------|-------|-------|-------|
|                   |                                      | Speed, RPM                  |        |        |        |        |        |        |       |       |       |
|                   |                                      | 50                          | 100    | 200    | 300    | 400    | 500    | 600    | 700   | 800   | 900   |
| 23144             | 8000                                 | *                           | *      | *      | 79481  | 72910  | 68189  | 64559  | 61641 | 59221 | 57165 |
|                   | 20000                                | *                           | 83950  | 68189  | 60379  | 55386  | 51800  | 49043  | 46826 | 44988 | 43426 |
|                   | 40000                                | 83950                       | 68189  | 55386  | 49043  | 44988  | 42075  | 39835  | 38035 | 36541 | 35273 |
|                   | 100000                               | 63773                       | 51800  | 42075  | 37256  | 34175  | 31962  | 30261  | 28893 | 27759 | 26795 |
| 23148             | 8000                                 | *                           | *      | *      | 90627  | 83133  | 77750  | 73612  | 70285 | 67525 |       |
|                   | 20000                                | *                           | 95722  | 77750  | 68845  | 63153  | 59064  | 55920  | 53393 | 51296 |       |
|                   | 40000                                | 95722                       | 77750  | 63153  | 55920  | 51296  | 47975  | 45421  | 43368 | 41665 |       |
|                   | 100000                               | 72716                       | 59064  | 47975  | 42480  | 38967  | 36444  | 34504  | 32945 | 31651 |       |
| 23152             | 8000                                 | *                           | *      | *      | 109315 | 100276 | 93783  | 88792  | 84779 | 81450 |       |
|                   | 20000                                | *                           | 115461 | 93783  | 83042  | 76176  | 71243  | 67451  | 64403 | 61874 |       |
|                   | 40000                                | 115461                      | 93783  | 76176  | 67451  | 61874  | 57868  | 54787  | 52311 | 50257 |       |
|                   | 100000                               | 87711                       | 71243  | 57868  | 51240  | 47003  | 43960  | 41620  | 39739 | 38178 |       |
| 23156             | 8000                                 | *                           | *      | *      | 112918 | 103581 | 96874  | 91718  | 87573 |       |       |
|                   | 20000                                | *                           | 119266 | 96874  | 85779  | 78686  | 73591  | 69674  | 66525 |       |       |
|                   | 40000                                | 119266                      | 96874  | 78686  | 69674  | 63913  | 59775  | 56593  | 54035 |       |       |
|                   | 100000                               | 90601                       | 73591  | 59775  | 52928  | 48552  | 45408  | 42991  | 41048 |       |       |
| 23160             | 8000                                 | *                           | *      | *      | 135209 | 124029 | 115998 | 109823 |       |       |       |
|                   | 20000                                | *                           | 142810 | 115998 | 102712 | 94219  | 88119  | 83428  |       |       |       |
|                   | 40000                                | 142810                      | 115998 | 94219  | 83428  | 76530  | 71575  | 67765  |       |       |       |
|                   | 100000                               | 108487                      | 88119  | 71575  | 63377  | 58137  | 54372  | 51478  |       |       |       |
| 23164             | 8000                                 | *                           | *      | *      | 154392 | 141626 | 132456 | 125405 |       |       |       |
|                   | 20000                                | *                           | 163072 | 132456 | 117285 | 107587 | 100621 | 95265  |       |       |       |
|                   | 40000                                | 163072                      | 132456 | 107587 | 95265  | 87388  | 81730  | 77379  |       |       |       |
|                   | 100000                               | 123879                      | 100621 | 81730  | 72369  | 66385  | 62087  | 58782  |       |       |       |
| 23168             | 8000                                 | *                           | *      | *      | 182267 | 167196 | 156370 |        |       |       |       |
|                   | 20000                                | *                           | 192514 | 156370 | 138461 | 127012 | 118788 |        |       |       |       |
|                   | 40000                                | 192514                      | 156370 | 127012 | 112465 | 103166 | 96486  |        |       |       |       |
|                   | 100000                               | 146245                      | 118788 | 96486  | 85435  | 78371  | 73296  |        |       |       |       |
| 23172             | 8000                                 | *                           | *      | *      | 192399 | 176491 | 165063 |        |       |       |       |
|                   | 20000                                | *                           | 203216 | 165063 | 146158 | 134072 | 125391 |        |       |       |       |
|                   | 40000                                | 203216                      | 165063 | 134072 | 118717 | 108901 | 101849 |        |       |       |       |
|                   | 100000                               | 154375                      | 125391 | 101849 | 90184  | 82727  | 77371  |        |       |       |       |
| 23176             | 8000                                 | *                           | *      | *      | 202464 | 185723 | 173697 |        |       |       |       |
|                   | 20000                                | *                           | 213846 | 173697 | 153803 | 141086 | 131950 |        |       |       |       |
|                   | 40000                                | 213846                      | 173697 | 141086 | 124927 | 114597 | 107177 |        |       |       |       |
|                   | 100000                               | 162450                      | 131950 | 107177 | 94902  | 87055  | 81418  |        |       |       |       |
| 23180             | 8000                                 | *                           | *      | *      | 210074 | 192704 |        |        |       |       |       |
|                   | 20000                                | *                           | 221885 | 180226 | 159585 | 146389 |        |        |       |       |       |
|                   | 40000                                | 221885                      | 180226 | 146389 | 129623 | 118905 |        |        |       |       |       |
|                   | 100000                               | 168556                      | 136910 | 111206 | 98469  | 90327  |        |        |       |       |       |
| 23184             | 8000                                 | *                           | *      | *      | 253080 | 232154 |        |        |       |       |       |
|                   | 20000                                | *                           | 267308 | 217122 | 192254 | 176358 |        |        |       |       |       |
|                   | 40000                                | 267308                      | 217122 | 176358 | 156159 | 143247 |        |        |       |       |       |
|                   | 100000                               | 203063                      | 164938 | 133971 | 118627 | 108819 |        |        |       |       |       |
| 23188             | 8000                                 | *                           | *      | *      | 268278 | 246096 |        |        |       |       |       |
|                   | 20000                                | *                           | 283361 | 230160 | 203800 | 186948 |        |        |       |       |       |
|                   | 40000                                | 283361                      | 230160 | 186948 | 165537 | 151849 |        |        |       |       |       |
|                   | 100000                               | 215257                      | 174843 | 142017 | 125751 | 115353 |        |        |       |       |       |
| 23192             | 8000                                 | *                           | *      | *      | 288520 | 264664 |        |        |       |       |       |
|                   | 20000                                | *                           | 304741 | 247526 | 219176 | 201054 |        |        |       |       |       |
|                   | 40000                                | 304741                      | 247526 | 201054 | 178027 | 163306 |        |        |       |       |       |
|                   | 100000                               | 231499                      | 188035 | 152732 | 135239 | 124057 |        |        |       |       |       |
| 23196             | 8000                                 | *                           | *      | *      | 306240 |        |        |        |       |       |       |
|                   | 20000                                | *                           | 323457 | 262729 | 232638 |        |        |        |       |       |       |
|                   | 40000                                | 323457                      | 262729 | 213402 | 188961 |        |        |        |       |       |       |
|                   | 100000                               | 245717                      | 199584 | 162112 | 143545 |        |        |        |       |       |       |
| 231530            | 8000                                 | *                           | *      | *      | 361922 |        |        |        |       |       |       |
|                   | 20000                                | *                           | 382269 | 310499 | 274937 |        |        |        |       |       |       |
|                   | 40000                                | 382269                      | 310499 | 252204 | 223318 |        |        |        |       |       |       |
|                   | 100000                               | 290394                      | 235873 | 191589 | 169645 |        |        |        |       |       |       |
| 231560            | 8000                                 | *                           | *      | *      | 397362 |        |        |        |       |       |       |
|                   | 20000                                | *                           | 419702 | 340904 | 301859 |        |        |        |       |       |       |
|                   | 40000                                | 419702                      | 340904 | 276900 | 245186 |        |        |        |       |       |       |

**Table 10 • Series PLB23200K and PLB23200 Load Ratings and Speed Limits**

| Basic Bearing Number          |        |                         |        | Co<br>Static Load<br>Rating |          | C<br>Basic Load<br>Rating |         | Approximate<br>Speed Limit<br>RPM |     | e    | Fa/Fr ≤ e |      | Fa/Fr > e |      |
|-------------------------------|--------|-------------------------|--------|-----------------------------|----------|---------------------------|---------|-----------------------------------|-----|------|-----------|------|-----------|------|
| Adapter<br>Mounted            |        | Direct Shaft<br>Mounted |        |                             |          |                           |         |                                   |     |      | X1        | Y1   | X2        | Y2   |
| Shaft<br>Diameter<br>(inches) | Number | Bearing<br>Seat<br>(mm) | Number | pounds                      | newtons  | pounds                    | newtons | Grease                            | Oil |      |           |      |           |      |
| 8                             | 23244K | 220                     | 23244  | 764500                      | 3400000  | 454000                    | 2020000 | 670                               | 900 | 0.35 | 1.00      | 1.90 | 0.67      | 2.90 |
| 8-15/16                       | 23248K | 240                     | 23248  | 910500                      | 4050000  | 548500                    | 2440000 | 630                               | 800 | 0.37 | 1.00      | 4.80 | 0.67      | 2.70 |
| 9-7/16                        | 23252K | 260                     | 23252  | 1022900                     | 4550000  | 616000                    | 2740000 | 560                               | 750 | 0.37 | 1.00      | 1.80 | 0.67      | 2.70 |
| 10-7/16                       | 23256K | 280                     | 23256  | 1101600                     | 4900000  | 647500                    | 2880000 | 530                               | 670 | 0.35 | 1.00      | 1.90 | 0.67      | 2.90 |
| 10-15/16                      | 23260K | 300                     | 23260  | 1326400                     | 5900000  | 764500                    | 3400000 | 480                               | 630 | 0.35 | 1.00      | 1.90 | 0.67      | 2.90 |
| 11-15/16                      | 23264K | 320                     | 23264  | 1551200                     | 6900000  | 877000                    | 3900000 | 450                               | 600 | 0.36 | 1.00      | 1.90 | 0.67      | 2.80 |
| 12-7/16                       | 23268K | 340                     | 23268  | 1753500                     | 7800000  | 989200                    | 4400000 | 400                               | 530 | 0.36 | 1.00      | 1.90 | 0.67      | 2.80 |
| 13-7/16                       | 23272K | 360                     | 23272  | 1922100                     | 8550000  | 1079000                   | 4800000 | 380                               | 500 | 0.36 | 1.00      | 1.90 | 0.67      | 2.80 |
| 13-15/16                      | 23276K | 380                     | 23276  | 2068500                     | 9200000  | 1157800                   | 5150000 | 360                               | 480 | 0.35 | 1.00      | 1.90 | 0.67      | 2.90 |
| 15                            | 23280K | 400                     | 23280  | 2338000                     | 10400000 | 1303900                   | 5800000 | 340                               | 450 | 0.36 | 1.00      | 1.90 | 0.67      | 2.80 |
| 15-3/4                        | 23284K | 420                     | 23284  | 2630500                     | 11700000 | 1450000                   | 6450000 | 320                               | 430 | 0.35 | 1.00      | 1.90 | 0.67      | 2.90 |
| 16-1/2                        | 23288K | 440                     | 23288  | 2877500                     | 12800000 | 1551200                   | 6900000 | 300                               | 400 | 0.35 | 1.00      | 1.90 | 0.67      | 2.90 |
| 17                            | 23292K | 460                     | 23292  | 3080000                     | 13700000 | 1652400                   | 7350000 | 280                               | 380 | 0.36 | 1.00      | 1.90 | 0.67      | 2.80 |
| 18                            | 23296K | 480                     | 23296  | 3237500                     | 14400000 | 1764800                   | 7850000 | 260                               | 360 | 0.36 | 1.00      | 1.90 | 0.67      | 2.80 |

**Table 11 • Radial Load Ratings in Pounds at Various RPM for Appropriate L<sub>10</sub> Life Hours**

| Basic Unit Number | L <sub>10</sub> Minimum Life (hours) | Radial Load Ratings, Pounds |        |        |        |        |        |        |        |       |       |
|-------------------|--------------------------------------|-----------------------------|--------|--------|--------|--------|--------|--------|--------|-------|-------|
|                   |                                      | Speed, RPM                  |        |        |        |        |        |        |        |       |       |
|                   |                                      | 50                          | 100    | 200    | 300    | 400    | 500    | 600    | 700    | 800   | 900   |
| 23244             | 8000                                 | *                           | *      | *      | 102223 | 93770  | 87699  | 83031  | 79278  | 76165 | 73521 |
|                   | 20000                                | *                           | 107970 | 87699  | 77654  | 71233  | 66621  | 63075  | 60224  | 57859 | 55851 |
|                   | 40000                                | 107970                      | 87699  | 71233  | 63075  | 57859  | 54113  | 51233  | 48917  | 46996 | 45365 |
|                   | 100000                               | 82020                       | 66621  | 54113  | 47915  | 43953  | 41107  | 38919  | 37160  | 35701 | 34462 |
| 23248             | 8000                                 | *                           | *      | *      | 123500 | 113289 | 105953 | 100313 | 95780  | 92019 |       |
|                   | 20000                                | *                           | 130443 | 105953 | 93818  | 86061  | 80488  | 76204  | 72760  | 69903 |       |
|                   | 40000                                | 130443                      | 105953 | 86061  | 76204  | 69903  | 65377  | 61897  | 59100  | 56779 |       |
|                   | 100000                               | 99092                       | 80488  | 65377  | 57889  | 53102  | 49664  | 47020  | 44895  | 43132 |       |
| 23252             | 8000                                 | *                           | *      | *      | 138699 | 127230 | 118992 | 112658 | 107567 |       |       |
|                   | 20000                                | *                           | 146496 | 118992 | 105363 | 96651  | 90393  | 85582  | 81714  |       |       |
|                   | 40000                                | 146496                      | 118992 | 96651  | 85582  | 78505  | 73422  | 69514  | 66372  |       |       |
|                   | 100000                               | 111287                      | 90393  | 73422  | 65013  | 59637  | 55776  | 52807  | 50420  |       |       |
| 23256             | 8000                                 | *                           | *      | *      | 145791 | 133736 | 125077 | 118419 |        |       |       |
|                   | 20000                                | *                           | 153987 | 125077 | 110751 | 101594 | 95015  | 89958  |        |       |       |
|                   | 40000                                | 153987                      | 125077 | 101594 | 89958  | 82520  | 77177  | 73069  |        |       |       |
|                   | 100000                               | 116978                      | 95015  | 77177  | 68337  | 62687  | 58628  | 55507  |        |       |       |
| 23260             | 8000                                 | *                           | *      | *      | 172135 | 157902 | 147677 | 139817 |        |       |       |
|                   | 20000                                | *                           | 181812 | 147677 | 130764 | 119951 | 112184 | 106213 |        |       |       |
|                   | 40000                                | 181812                      | 147677 | 119951 | 106213 | 97431  | 91122  | 86272  |        |       |       |
|                   | 100000                               | 138115                      | 112184 | 91122  | 80686  | 74014  | 69222  | 65537  |        |       |       |
| 23264             | 8000                                 | *                           | *      | *      | 197465 | 181138 | 169409 | 160392 |        |       |       |
|                   | 20000                                | *                           | 208567 | 169409 | 150006 | 137603 | 128693 | 121843 |        |       |       |
|                   | 40000                                | 208567                      | 169409 | 137603 | 121843 | 111768 | 104531 | 98967  |        |       |       |
|                   | 100000                               | 158439                      | 128693 | 104531 | 92559  | 84906  | 79408  | 75181  |        |       |       |
| 23268             | 8000                                 | *                           | *      | *      | 222728 | 204312 | 191082 |        |        |       |       |
|                   | 20000                                | *                           | 235250 | 191082 | 169197 | 155207 | 145157 |        |        |       |       |
|                   | 40000                                | 235250                      | 191082 | 155207 | 137431 | 126067 | 117904 |        |        |       |       |
|                   | 100000                               | 178710                      | 145157 | 117904 | 104400 | 95768  | 89567  |        |        |       |       |
| 23272             | 8000                                 | *                           | *      | *      | 242948 | 222859 | 208429 |        |        |       |       |
|                   | 20000                                | *                           | 256606 | 208429 | 184557 | 169297 | 158335 |        |        |       |       |
|                   | 40000                                | 256606                      | 208429 | 169297 | 149907 | 137512 | 128608 |        |        |       |       |
|                   | 100000                               | 194933                      | 158335 | 128608 | 113878 | 104462 | 97698  |        |        |       |       |
| 23276             | 8000                                 | *                           | *      | *      | 260690 | 239135 |        |        |        |       |       |
|                   | 20000                                | *                           | 275346 | 223651 | 198035 | 181661 |        |        |        |       |       |
|                   | 40000                                | 275346                      | 223651 | 181661 | 160855 | 147554 |        |        |        |       |       |
|                   | 100000                               | 209169                      | 169898 | 138000 | 122195 | 112091 |        |        |        |       |       |
| 23280             | 8000                                 | *                           | *      | *      | 293586 | 269311 |        |        |        |       |       |
|                   | 20000                                | *                           | 310092 | 251873 | 223025 | 204584 |        |        |        |       |       |
|                   | 40000                                | 310092                      | 251873 | 204584 | 181153 | 166174 |        |        |        |       |       |
|                   | 100000                               | 235563                      | 191337 | 155414 | 137614 | 126235 |        |        |        |       |       |
| 23284             | 8000                                 | *                           | *      | *      | 326482 | 299487 |        |        |        |       |       |
|                   | 20000                                | *                           | 344837 | 280095 | 248015 | 227507 |        |        |        |       |       |
|                   | 40000                                | 344837                      | 280095 | 227507 | 201450 | 184793 |        |        |        |       |       |
|                   | 100000                               | 261958                      | 212776 | 172828 | 153033 | 140380 |        |        |        |       |       |
| 23288             | 8000                                 | *                           | *      | *      | 349268 | 320389 |        |        |        |       |       |
|                   | 20000                                | *                           | 368904 | 299643 | 265324 | 243386 |        |        |        |       |       |
|                   | 40000                                | 368904                      | 299643 | 243386 | 215510 | 197691 |        |        |        |       |       |
|                   | 100000                               | 280241                      | 227626 | 184890 | 163714 | 150177 |        |        |        |       |       |
| 23292             | 8000                                 | *                           | *      | *      | 372054 |        |        |        |        |       |       |
|                   | 20000                                | *                           | 392971 | 319192 | 282634 |        |        |        |        |       |       |
|                   | 40000                                | 392971                      | 319192 | 259264 | 229570 |        |        |        |        |       |       |
|                   | 100000                               | 298524                      | 242477 | 196952 | 174395 |        |        |        |        |       |       |
| 23296             | 8000                                 | *                           | *      | *      | 397362 |        |        |        |        |       |       |
|                   | 20000                                | *                           | 419702 | 340904 | 301859 |        |        |        |        |       |       |
|                   | 40000                                | 419702                      | 340904 | 276900 | 245186 |        |        |        |        |       |       |
|                   | 100000                               | 318830                      | 258970 | 210349 | 186257 |        |        |        |        |       |       |

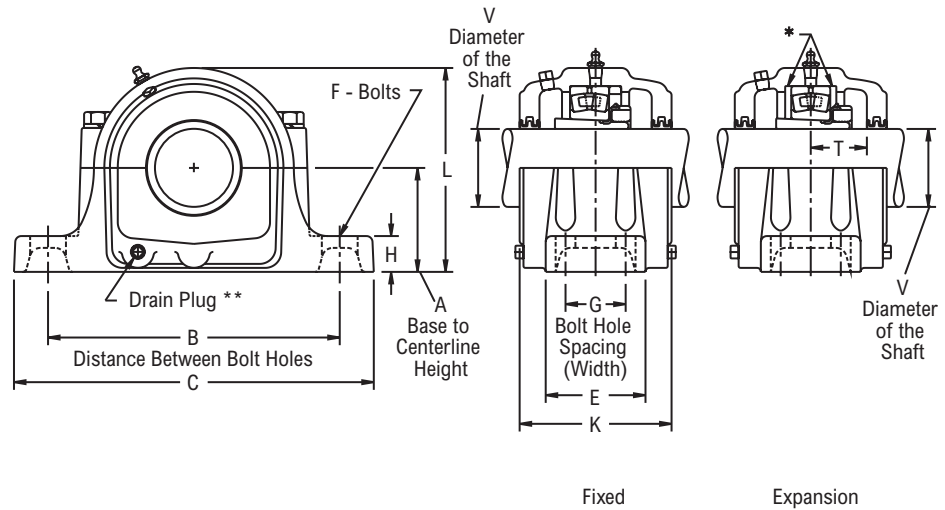
# PLB6800, PLB6800F, PLB6600F



Photo Shows a 2-Bolt Spherical Roller Bearing Two-Piece Pillow Block Unit

## Product Features

- Corrosion-resistant powder coating
- Two piece cast iron housing
- Broad range of sealing options
- Fixed or Expansion - up to 3/8 in expansion
- Matched base & cap
- Large reservoir for grease or oil storage
- Tapered adapter mounted
- See Features & Benefits for additional info.



## Bearing Dimensions

| Size Code                     | V Shaft Diameter | Part Number | A Base to Centerline Height | B Min. Distance Between Bolt Holes | B Max. Distance Between Bolt Holes | G Bolt Hole Spacing (Width) | C      | E     | F   | H      | K     | L       | P      | T       | Approx. Weight |        |
|-------------------------------|------------------|-------------|-----------------------------|------------------------------------|------------------------------------|-----------------------------|--------|-------|-----|--------|-------|---------|--------|---------|----------------|--------|
| <b>Two-Bolt Pillow Block</b>  |                  |             |                             |                                    |                                    |                             |        |       |     |        |       |         |        |         |                |        |
| 22209                         | 1 7/16           | PLB6823R    | 2 1/4                       | 6 1/4                              | 7                                  | -                           | 8 1/4  | 2 3/8 | 1/2 | 13/16  | 3 5/8 | 4 3/8   | 6 1/4  | 1 1/16  | 11.00          |        |
|                               | 1 1/2            | PLB6824R    |                             |                                    |                                    |                             |        |       |     |        |       |         |        |         |                | 40.00  |
| 22210                         | 1 11/16          | PLB6827R    | 2 1/2                       | 6 1/2                              | 7                                  | -                           | 8 1/4  | 2 3/8 | 1/2 | 15/16  | 3 5/8 | 4 3/4   | 6 5/8  | 1 1/8   | 12.00          |        |
|                               | 1 3/4            | PLB6828R    |                             |                                    |                                    |                             |        |       |     |        |       |         |        |         |                | 45.00  |
| 22211                         | 1 15/16          | PLB6831R    | 2 3/4                       | 7 3/8                              | 7 7/8                              | -                           | 9 5/8  | 2 3/4 | 5/8 | 15/16  | 3 7/8 | 5 1/4   | 7 1/4  | 1 3/16  | 14.00          |        |
|                               | 2                | PLB6832R    |                             |                                    |                                    |                             |        |       |     |        |       |         |        |         |                | 50.00  |
| 22213                         | 2 3/16           | PLB6835R    | 3                           | 8 1/8                              | 9 1/2                              | -                           | 11     | 3 1/4 | 5/8 | 1      | 4 3/8 | 5 15/16 | 8 1/4  | 1 13/32 | 22.00          |        |
|                               | 60.00            | PLB68M60R   |                             |                                    |                                    |                             |        |       |     |        |       |         |        |         |                | 76.20  |
| 22215                         | 2 7/16           | PLB6839R    | 3 1/4                       | 8 5/8                              | 9 5/8                              | -                           | 11 1/4 | 3 1/8 | 5/8 | 1 1/8  | 4 3/4 | 6 3/8   | 8 3/8  | 1 15/32 | 27.00          |        |
|                               | 65.00            | PLB68M65R   |                             |                                    |                                    |                             |        |       |     |        |       |         |        |         |                | 82.55  |
| 22216                         | 2 11/16          | PLB6843R    | 3 1/2                       | 9 9/8                              | 11                                 | -                           | 13     | 3 1/2 | 3/4 | 1 1/4  | 5 1/4 | 7       | 9 1/2  | 1 1/2   | 38.00          |        |
|                               | 70.00            | PLB68M70R   |                             |                                    |                                    |                             |        |       |     |        |       |         |        |         |                | 88.90  |
| 22217                         | 2 15/16          | PLB6847R    | 3 3/4                       | 9 7/8                              | 11                                 | -                           | 13     | 3 1/2 | 3/4 | 1 1/4  | 5     | 7 5/16  | 10     | 1 19/32 | 42.00          |        |
|                               | 3                | PLB6848R    |                             |                                    |                                    |                             |        |       |     |        |       |         |        |         |                | 75.00  |
| 22218                         | 3 3/16           | PLB6851R    | 4                           | 10 1/4                             | 11 3/4                             | -                           | 13 3/4 | 3 7/8 | 3/4 | 1 5/16 | 5 7/8 | 7 15/16 | 10 1/2 | 1 3/4   | 47.00          |        |
|                               | 80.00            | PLB68M80R   |                             |                                    |                                    |                             |        |       |     |        |       |         |        |         |                | 101.60 |
| 22220                         | 3 7/16           | PLB6855R    | 4 1/2                       | 11 5/8                             | 13 1/8                             | -                           | 15 1/4 | 4 3/8 | 7/8 | 1 1/2  | 6     | 8 7/8   | 11 3/4 | 1 29/32 | 71.00          |        |
|                               | 3 1/2            | PLB6856R    |                             |                                    |                                    |                             |        |       |     |        |       |         |        |         |                | 90.00  |
| <b>Four-Bolt Pillow Block</b> |                  |             |                             |                                    |                                    |                             |        |       |     |        |       |         |        |         |                |        |
| 22215                         | 2 7/16           | PLB6839FR   | 3 1/4                       | 8 5/8                              | 9 5/8                              | 1 7/8                       | 11 1/4 | 3 1/8 | 1/2 | 1 1/8  | 4 3/4 | 6 3/8   | 8 3/8  | 1 15/32 | 27.00          |        |
|                               | 65.00            | PLB68M65FR  |                             |                                    |                                    |                             |        |       |     |        |       |         |        |         |                | 82.55  |
| 22216                         | 2 11/16          | PLB6843FR   | 3 1/2                       | 9 9/8                              | 11                                 | 2                           | 13     | 3 1/2 | 5/8 | 1 1/4  | 5 1/4 | 7       | 9 1/2  | 1 1/2   | 38.00          |        |
|                               | 70.00            | PLB68M70FR  |                             |                                    |                                    |                             |        |       |     |        |       |         |        |         |                | 88.90  |
| 22217                         | 2 15/16          | PLB6847FR   | 3 3/4                       | 9 7/8                              | 11                                 | 2                           | 13     | 3 1/2 | 5/8 | 1 1/4  | 5     | 7 5/16  | 10     | 1 19/32 | 42.00          |        |
|                               | 3                | PLB6848FR   |                             |                                    |                                    |                             |        |       |     |        |       |         |        |         |                | 75.00  |
| 22218                         | 3 3/16           | PLB6851FR   | 4                           | 10 3/8                             | 11 5/8                             | 2 1/8                       | 13 3/4 | 3 7/8 | 5/8 | 1 5/16 | 5 7/8 | 7 15/16 | 10 1/2 | 1 3/4   | 47.00          |        |
|                               | 80.00            | PLB68M80FR  |                             |                                    |                                    |                             |        |       |     |        |       |         |        |         |                | 101.60 |
| 22220                         | 3 7/16           | PLB6855FR   | 4 1/2                       | 11 5/8                             | 13 1/8                             | 2 3/8                       | 15 1/4 | 4 1/2 | 3/4 | 1 1/2  | 6     | 8 7/8   | 11 3/4 | 1 29/32 | 71.00          |        |
|                               | 3 1/2            | PLB6856FR   |                             |                                    |                                    |                             |        |       |     |        |       |         |        |         |                | 90.00  |

Continued...

Continued...

**Bearing Dimensions**

| Size Code                                | V Shaft Diameter                | Part Number    | A Base to Centerline Height     | B Min. Distance Between Bolt Holes | B Max. Distance Between Bolt Holes | G Bolt Hole Spacing (Width)   | C                              | E                             | F Bolts                       | H                             | K                               | L                                | P                              | T                               | Approx. Weight |
|--|---------------------------------|----------------|---------------------------------|------------------------------------|------------------------------------|-------------------------------|--------------------------------|-------------------------------|-------------------------------|-------------------------------|---------------------------------|----------------------------------|--------------------------------|---------------------------------|----------------|
| <b>Four-Bolt Pillow Block(continued)</b> |                                 |                |                                 |                                    |                                    |                               |                                |                               |                               |                               |                                 |                                  |                                |                                 |                |
| 22220                                    | 90.00                           | PLB68M90FR     | 114.30                          | 295.30                             | 333.40                             | 60.30                         | 387.40                         | 114.30                        | 20.00                         | 38.10                         | 152.40                          | 225.40                           | 298.40                         | 48.40                           | 30.80          |
| 22222                                    | 3 <sup>11</sup> / <sub>16</sub> | PLB6859FR      | 4 <sup>15</sup> / <sub>16</sub> | 12 <sup>5</sup> / <sub>8</sub>     | 14 <sup>1</sup> / <sub>2</sub>     | 2 <sup>3</sup> / <sub>4</sub> | 16 <sup>1</sup> / <sub>2</sub> | 4 <sup>3</sup> / <sub>4</sub> | <sup>3</sup> / <sub>4</sub>   | 2                             | 6 <sup>1</sup> / <sub>2</sub>   | 9 <sup>5</sup> / <sub>8</sub>    | 12 <sup>1</sup> / <sub>4</sub> | 2 <sup>1</sup> / <sub>8</sub>   | 87.00          |
|  | 3 <sup>15</sup> / <sub>16</sub> | PLB6863FR      |                                 |                                    |                                    |                               |                                |                               |                               |                               |                                 |                                  |                                |                                 |                |
|  | 4                               | PLB6864FR      |                                 |                                    |                                    |                               |                                |                               |                               |                               |                                 |                                  |                                |                                 |                |
|  | 100.00                          | PLB68M100FR    | 125.41                          | 320.70                             | 368.30                             | 69.80                         | 419.10                         | 120.60                        | 20.00                         | 50.80                         | 165.10                          | 244.50                           | 311.20                         | 54.00                           | 39.50          |
| 22224                                    | 4 <sup>3</sup> / <sub>16</sub>  | PLB6867FR      | 5 <sup>1</sup> / <sub>4</sub>   | 13 <sup>1</sup> / <sub>4</sub>     | 14 <sup>1</sup> / <sub>2</sub>     | 2 <sup>3</sup> / <sub>4</sub> | 16 <sup>1</sup> / <sub>2</sub> | 4 <sup>3</sup> / <sub>4</sub> | <sup>3</sup> / <sub>4</sub>   | 1 <sup>3</sup> / <sub>4</sub> | 7 <sup>1</sup> / <sub>8</sub>   | 10 <sup>7</sup> / <sub>16</sub>  | 13 <sup>1</sup> / <sub>2</sub> | 2 <sup>9</sup> / <sub>32</sub>  | 104.00         |
|  | 110.00                          | PLB68M110FR    | 133.35                          | 336.60                             | 368.30                             | 69.80                         | 419.10                         | 120.60                        | 20.00                         | 44.40                         | 181.00                          | 265.10                           | 342.90                         | 57.90                           | 47.20          |
| 22226                                    | 4 <sup>7</sup> / <sub>16</sub>  | PLB6871FR      | 6                               | 14 <sup>5</sup> / <sub>8</sub>     | 16                                 | 3 <sup>1</sup> / <sub>4</sub> | 18 <sup>3</sup> / <sub>8</sub> | 5 <sup>1</sup> / <sub>8</sub> | <sup>7</sup> / <sub>8</sub>   | 2 <sup>3</sup> / <sub>8</sub> | 7 <sup>3</sup> / <sub>4</sub>   | 11 <sup>11</sup> / <sub>32</sub> | 14 <sup>1</sup> / <sub>2</sub> | 2 <sup>15</sup> / <sub>32</sub> | 149.00         |
|  | 4 <sup>1</sup> / <sub>2</sub>   | PLB6872FR      |                                 |                                    |                                    |                               |                                |                               |                               |                               |                                 |                                  |                                |                                 |                |
|  | 115.00                          | PLB68M115FR    |                                 |                                    |                                    |                               |                                |                               |                               |                               |                                 |                                  |                                |                                 |                |
| 22228                                    | 4 <sup>15</sup> / <sub>16</sub> | PLB6879FR      | 6                               | 16                                 | 17 <sup>1</sup> / <sub>8</sub>     | 3 <sup>3</sup> / <sub>8</sub> | 20 <sup>1</sup> / <sub>8</sub> | 5 <sup>7</sup> / <sub>8</sub> | 1                             | 2 <sup>3</sup> / <sub>8</sub> | 7 <sup>3</sup> / <sub>4</sub>   | 11 <sup>13</sup> / <sub>16</sub> | 15 <sup>1</sup> / <sub>2</sub> | 2 <sup>5</sup> / <sub>8</sub>   | 167.00         |
|  | 5                               | PLB6880FR      |                                 |                                    |                                    |                               |                                |                               |                               |                               |                                 |                                  |                                |                                 |                |
|  | 125.00                          | PLB68M125FR    |                                 |                                    |                                    |                               |                                |                               |                               |                               |                                 |                                  |                                |                                 |                |
| 22230                                    | 5 <sup>3</sup> / <sub>16</sub>  | PLB6883FR      | 6 <sup>5</sup> / <sub>16</sub>  | 17                                 | 18 <sup>1</sup> / <sub>4</sub>     | 3 <sup>3</sup> / <sub>4</sub> | 21 <sup>1</sup> / <sub>4</sub> | 6 <sup>1</sup> / <sub>4</sub> | 1                             | 2                             | 8 <sup>1</sup> / <sub>8</sub>   | 12 <sup>9</sup> / <sub>16</sub>  | 16                             | 2 <sup>3</sup> / <sub>4</sub>   | 187.00         |
|  | 135.00                          | PLB68M135FR    | 160.34                          | 431.80                             | 463.60                             | 95.20                         | 539.80                         | 158.80                        | 24.00                         | 50.80                         | 206.40                          | 319.10                           | 406.40                         | 69.80                           | 84.80          |
| 22232                                    | 5 <sup>7</sup> / <sub>16</sub>  | PLB6887FR      | 6 <sup>11</sup> / <sub>16</sub> | 17 <sup>3</sup> / <sub>8</sub>     | 19 <sup>1</sup> / <sub>4</sub>     | 3 <sup>3</sup> / <sub>4</sub> | 22                             | 6 <sup>1</sup> / <sub>4</sub> | 1                             | 2 <sup>5</sup> / <sub>8</sub> | 8 <sup>1</sup> / <sub>2</sub>   | 13 <sup>3</sup> / <sub>8</sub>   | 17                             | 2 <sup>31</sup> / <sub>32</sub> | 221.00         |
|  | 140.00                          | PLB68M140FR    | 169.86                          | 441.30                             | 489.00                             | 95.20                         | 558.80                         | 158.80                        | 24.00                         | 66.68                         | 215.90                          | 339.70                           | 431.80                         | 75.40                           | 94.80          |
| 22234                                    | 5 <sup>15</sup> / <sub>16</sub> | PLB6895FR      | 7 <sup>1</sup> / <sub>16</sub>  | 19 <sup>3</sup> / <sub>8</sub>     | 21 <sup>5</sup> / <sub>8</sub>     | 4 <sup>1</sup> / <sub>4</sub> | 24 <sup>3</sup> / <sub>4</sub> | 6 <sup>3</sup> / <sub>4</sub> | 1                             | 2 <sup>3</sup> / <sub>4</sub> | 9 <sup>1</sup> / <sub>4</sub>   | 14 <sup>1</sup> / <sub>4</sub>   | 18                             | 3 <sup>1</sup> / <sub>8</sub>   | 280.00         |
|  | 6                               | PLB6896FR      |                                 |                                    |                                    |                               |                                |                               |                               |                               |                                 |                                  |                                |                                 |                |
|  | 150.00                          | PLB68M150FR    |                                 |                                    |                                    |                               |                                |                               |                               |                               |                                 |                                  |                                |                                 |                |
| 22236                                    | 6 <sup>7</sup> / <sub>16</sub>  | PLB68103FR     | 7 <sup>1</sup> / <sub>2</sub>   | 20 <sup>7</sup> / <sub>8</sub>     | 23 <sup>5</sup> / <sub>8</sub>     | 4 <sup>5</sup> / <sub>8</sub> | 26 <sup>3</sup> / <sub>4</sub> | 7 <sup>1</sup> / <sub>8</sub> | 1                             | 3                             | 9 <sup>7</sup> / <sub>8</sub>   | 14 <sup>15</sup> / <sub>16</sub> | 18 <sup>3</sup> / <sub>4</sub> | 3 <sup>5</sup> / <sub>32</sub>  | 304.00         |
|  | 6 <sup>1</sup> / <sub>2</sub>   | PLB68104FR     |                                 |                                    |                                    |                               |                                |                               |                               |                               |                                 |                                  |                                |                                 |                |
|  | 160.00                          | PLB68M160FR    |                                 |                                    |                                    |                               |                                |                               |                               |                               |                                 |                                  |                                |                                 |                |
| 22238                                    | 6 <sup>15</sup> / <sub>16</sub> | PLB68111FR     | 7 <sup>7</sup> / <sub>8</sub>   | 21 <sup>5</sup> / <sub>8</sub>     | 24 <sup>3</sup> / <sub>8</sub>     | 4 <sup>1</sup> / <sub>2</sub> | 28                             | 7 <sup>1</sup> / <sub>2</sub> | 1 <sup>1</sup> / <sub>4</sub> | 3 <sup>1</sup> / <sub>8</sub> | 10 <sup>5</sup> / <sub>8</sub>  | 15 <sup>13</sup> / <sub>16</sub> | 20 <sup>1</sup> / <sub>2</sub> | 3 <sup>5</sup> / <sub>16</sub>  | 370.00         |
|  | 7                               | PLB68112FR     |                                 |                                    |                                    |                               |                                |                               |                               |                               |                                 |                                  |                                |                                 |                |
|  | 170.00                          | PLB68M170FR    |                                 |                                    |                                    |                               |                                |                               |                               |                               |                                 |                                  |                                |                                 |                |
| 22240                                    | 7 <sup>3</sup> / <sub>16</sub>  | PLB68115FR     | 8 <sup>1</sup> / <sub>4</sub>   | 22 <sup>1</sup> / <sub>2</sub>     | 25                                 | 5                             | 29 <sup>1</sup> / <sub>2</sub> | 8                             | 1 <sup>1</sup> / <sub>4</sub> | 2 <sup>3</sup> / <sub>8</sub> | 11                              | 16 <sup>3</sup> / <sub>4</sub>   | 22 <sup>1</sup> / <sub>4</sub> | 3 <sup>17</sup> / <sub>32</sub> | 450.00         |
|  | 180.00                          | PLB68M180FR    | 209.55                          | 571.50                             | 635.00                             | 127.00                        | 749.30                         | 203.20                        | 30.00                         | 60.30                         | 279.40                          | 425.40                           | 565.20                         | 89.70                           | 204.10         |
| 22244                                    | 7 <sup>1</sup> / <sub>2</sub>   | PLB68120FR     | 9 <sup>1</sup> / <sub>2</sub>   | 24 <sup>3</sup> / <sub>4</sub>     | 27 <sup>7</sup> / <sub>8</sub>     | 5 <sup>1</sup> / <sub>4</sub> | 32 <sup>3</sup> / <sub>4</sub> | 8 <sup>3</sup> / <sub>4</sub> | 1 <sup>1</sup> / <sub>2</sub> | 3 <sup>3</sup> / <sub>4</sub> | 11 <sup>3</sup> / <sub>16</sub> | 18 <sup>9</sup> / <sub>16</sub>  | 24 <sup>1</sup> / <sub>2</sub> | 3 <sup>13</sup> / <sub>16</sub> | 675.00         |
|  | 7 <sup>15</sup> / <sub>16</sub> | PLB22544K71516 |                                 |                                    |                                    |                               |                                |                               |                               |                               | 11 <sup>7</sup> / <sub>8</sub>  | 18 <sup>5</sup> / <sub>8</sub>   | -                              | -                               | 665.00         |
|  |                                 | PLB68127FR     |                                 |                                    |                                    |                               |                                |                               |                               |                               | 11 <sup>3</sup> / <sub>16</sub> | 18 <sup>9</sup> / <sub>16</sub>  | 24 <sup>1</sup> / <sub>2</sub> | 3 <sup>13</sup> / <sub>16</sub> |                |
|  |                                 | PLB22544K8     |                                 |                                    |                                    |                               |                                |                               |                               |                               | 11 <sup>7</sup> / <sub>8</sub>  | 18 <sup>5</sup> / <sub>8</sub>   | -                              | -                               |                |
|  |                                 | PLB68128FR     |                                 |                                    |                                    |                               |                                |                               |                               |                               | 11 <sup>3</sup> / <sub>16</sub> | 18 <sup>9</sup> / <sub>16</sub>  | 24 <sup>1</sup> / <sub>2</sub> | 3 <sup>13</sup> / <sub>16</sub> |                |
| 200.00                                   | PLB68M200FR                     | 241.30         | 628.60                          | 708.00                             | 133.40                             | 831.80                        | 222.20                         | 36.00                         | 95.25                         | 284.20                        | 471.50                          | 622.30                           | 96.80                          | 301.60                          |                |

**Additional Notes**

Continued...

Continued...

**Bearing Dimensions**

| Size Code                                | V Shaft Diameter | Part Number        | A Base to Centerline Height | B Min. Distance Between Bolt Holes | B Max. Distance Between Bolt Holes | G Bolt Hole Spacing (Width) | C      | E      | F Bolts | H     | K      | L       | P      | T       | Approx. Weight |
|--|------------------|--------------------|-----------------------------|------------------------------------|------------------------------------|-----------------------------|--------|--------|---------|-------|--------|---------|--------|---------|----------------|
| <b>Four-Bolt Pillow Block(continued)</b> |                  |                    |                             |                                    |                                    |                             |        |        |         |       |        |         |        |         |                |
| 22248                                    | 8 7/16           | PLB22548K8716      | 10 1/4                      | 29                                 | 30 1/2                             | 8 3/4                       | 35     | 14 1/2 | 1 5/8   | 3 3/4 | 14 1/8 | 20 1/2  | -      | -       | 1,000.00       |
|  | 8 15/16          | PLB22548K81516     |                             |                                    |                                    |                             |        |        |         |       |        |         |        |         |                |
| 23048                                    | 8 7/16           | PLB66135FH         | 8 1/4                       | 22 1/2                             | 25                                 | 5                           | 29 1/2 | 8      | 1 1/4   | 2 3/8 | 11     | 16 3/4  | 22 1/4 | 3 13/16 | 430.00         |
|  | 8 1/2            | PLB66136FH         |                             |                                    |                                    |                             |        |        |         |       |        |         |        |         |                |
|  | 9                | PLB66144FH         |                             |                                    |                                    |                             |        |        |         |       |        |         |        |         |                |
|  | 220.00           | <b>PLB66M220FH</b> | 209.55                      | 571.50                             | 635.00                             | 127.00                      | 749.30 | 203.20 | 30.00   | 60.30 | 279.40 | 425.40  | 565.20 | 96.80   | 195.00         |
| 23056                                    | 9 15/16          | PLB66159FH         | 9 1/2                       | 24 3/4                             | 27 7/8                             | 5 1/4                       | 32 3/4 | 8 3/4  | 1 1/2   | 2 3/4 | 11 3/4 | 19 1/16 | 24 1/2 | 4 1/4   | 540.00         |
|  | 10               | PLB66160FH         |                             |                                    |                                    |                             |        |        |         |       |        |         |        |         | 530.00         |
|  | 10 7/16          | PLB66167FH         |                             |                                    |                                    |                             |        |        |         |       |        |         |        |         | 515.00         |
|  | 10 1/2           | PLB66168FH         |                             |                                    |                                    |                             |        |        |         |       |        |         |        |         | 510.00         |
|  | 9 7/16           | PLB66B151FH        |                             |                                    |                                    |                             |        |        |         |       |        |         |        |         | 550.00         |
|  | 9 1/2            | PLB66B152FH        |                             |                                    |                                    |                             |        |        |         |       |        |         |        |         | 545.00         |
|  | 260.00           | <b>PLB66M260FH</b> | 241.30                      | 628.60                             | 708.00                             | 133.40                      | 831.80 | 222.20 | 36.00   | 69.80 | 298.40 | 484.20  | 622.30 | 108.00  | 247.20         |

**Additional Notes**

Please call 1-866-REXNORD for availability  
 Lubrication fitting tap size: for 4 1/2 in (115 mm) and smaller shaft sizes, 1/8 in PT: for all other shaft sizes, 1/4 in PT  
 Expansion - is 1/4 in for 1 3/4 in (40 mm) and smaller shaft sizes: all other shaft sizes provide 3/8"  
 Drain plug tap size - for 3 3/16 in (80 mm) and smaller shaft sizes, 1/8 in PT: for 3 7/16 in (90 mm) thru 6 in (150 mm), 1/4 in PT: for all other shaft sizes, 1/2 in PT  
 Minimum extension of shaft beyond locknut, .06 in for closed end unit  
 Dimension "P" is recommended dimension for cap removal

Multi-labyrinth seals standard  
 All shaft sizes available with type D5 Pentac seals  
 For the Selection Guide, Load Ratings and Speed Limits, see the Link-Belt Split Spherical Roller Bearings Engineering section  
 Note: Dimensions subject to change. Certified dimensions of ordered material furnished on request.

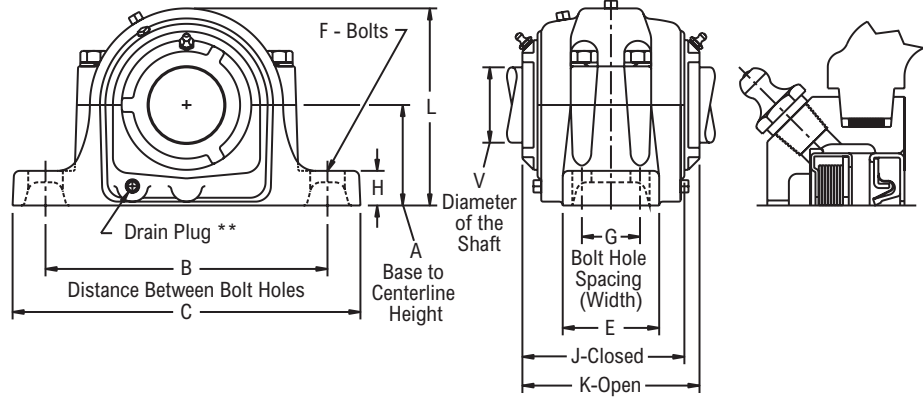
# PLB6800D8, PLB6800FD8, PLB6600FD8



Photo Shows a 2-Bolt Spherical Roller Bearing Two-Piece Pillow Block Unit with Independently Flushable Seals

## Product Features

- Corrosion-resistant powder coating
- Two piece cast iron housing
- Independently flushable seals
- Fixed or Expansion - up to 3/8 in expansion
- Matched base & cap
- Large reservoir for grease or oil storage
- Tapered adapter mounted
- See Features & Benefits for additional info.



## Bearing Dimensions

| Size Code                     | V Shaft Diameter | Part Number  | A Base to Centerline Height | B Min. Distance Between Bolt Holes | B Max. Distance Between Bolt Holes | G Bolt Hole Spacing (Width) | C      | E     | F     | H      | J        | K        | L        | P      | T       | Approx. Weight |
|-------------------------------|------------------|--------------|-----------------------------|------------------------------------|------------------------------------|-----------------------------|--------|-------|-------|--------|----------|----------|----------|--------|---------|----------------|
| <b>Two-Bolt Pillow Block</b>  |                  |              |                             |                                    |                                    |                             |        |       |       |        |          |          |          |        |         |                |
| 22209                         | 1 7/16           | PLB6823D8    | 2 1/4                       | 6 1/4                              | 7                                  | -                           | 8 1/4  | 2 3/8 | 1/2   | 13/16  | 4 7/16   | 5        | 4 3/8    | 6 1/4  | 1 1/16  | 12.00          |
|                               | 1 1/2            | PLB6824D8    |                             |                                    |                                    |                             |        |       |       |        |          |          |          |        |         | 11.00          |
| 22210                         | 1 11/16          | PLB6827D8    | 2 1/2                       | 6 1/2                              | 7                                  | -                           | 8 1/4  | 2 3/8 | 1/2   | 15/16  | 4 13/32  | 4 15/16  | 4 3/4    | 6 5/8  | 1 1/8   | 13.00          |
|                               | 1 15/16          | PLB6831D8    |                             |                                    |                                    |                             |        |       |       |        |          |          |          |        |         | 16.00          |
| 22211                         | 2                | PLB6832D8    | 2 3/4                       | 7 3/8                              | 7 7/8                              | -                           | 9 5/8  | 2 3/4 | 5/8   | 15/16  | 4 23/32  | 5 5/16   | 5 1/4    | 7 1/4  | 1 3/16  | 14.00          |
|                               | 2                | PLB6835D8    |                             |                                    |                                    |                             |        |       |       |        |          |          |          |        |         | 24.00          |
| 22213                         | 2 3/16           | PLB6835D8    | 3                           | 8 1/8                              | 9 1/2                              | -                           | 11     | 3 1/4 | 5/8   | 1      | 5 1/8    | 5 5/8    | 5 15/16  | 8 1/4  | 1 13/32 | 30.00          |
| 22215                         | 2 7/16           | PLB6839D8    | 3 1/4                       | 8 5/8                              | 9 5/8                              | -                           | 11 1/4 | 3 1/8 | 5/8   | 1 1/8  | 5 17/32  | 5 15/16  | 6 3/8    | 8 3/8  | 1 15/32 | 30.00          |
| 22216                         | 2 11/16          | PLB6843D8    | 3 1/2                       | 9 5/8                              | 11                                 | -                           | 13     | 3 1/2 | 3/4   | 1 1/4  | 6 1/32   | 6 9/16   | 7        | 9 1/2  | 1 1/2   | 38.00          |
| 22217                         | 2 15/16          | PLB6847D8    | 3 3/4                       | 9 7/8                              | 11                                 | -                           | 13     | 3 1/2 | 3/4   | 1 1/4  | 5 11/16  | 6 3/8    | 7 5/16   | 10     | 1 19/32 | 47.00          |
|                               | 3                | PLB6848D8    |                             |                                    |                                    |                             |        |       |       |        |          |          |          |        |         | 42.00          |
| 22218                         | 3 3/16           | PLB6851D8    | 4                           | 10 1/4                             | 11 3/4                             | -                           | 13 3/4 | 3 7/8 | 3/4   | 1 5/16 | 6 3/4    | 7 3/8    | 7 15/16  | 10 1/2 | 1 3/4   | 52.00          |
| 22220                         | 3 7/16           | PLB6855D8    | 4 1/2                       | 11 5/8                             | 13 1/8                             | -                           | 15 1/4 | 4 3/8 | 7/8   | 1 1/2  | 6 21/32  | 7 5/16   | 8 7/8    | 11 3/4 | 1 29/32 | 79.00          |
| <b>Four-Bolt Pillow Block</b> |                  |              |                             |                                    |                                    |                             |        |       |       |        |          |          |          |        |         |                |
| 22215                         | 2 7/16           | PLB6839FD8   | 3 1/4                       | 8 5/8                              | 9 5/8                              | 1 7/8                       | 11 1/4 | 3 1/8 | 1/2   | 1 1/8  | 5 17/32  | 5 15/16  | 6 3/8    | 8 3/8  | 1 15/32 | 30.00          |
| 22217                         | 2 15/16          | PLB6847FD8   | 3 3/4                       | 9 7/8                              | 11                                 | 2                           | 13     | 3 1/2 | 5/8   | 1 1/4  | 5 11/16  | 6 3/8    | 7 5/16   | 10     | 1 19/32 | 47.00          |
| 22218                         | 3 3/16           | PLB6851FD8   | 4                           | 10 3/8                             | 11 5/8                             | 2 1/8                       | 13 3/4 | 3 7/8 | 5/8   | 1 5/16 | 6 3/4    | 7 3/8    | 7 15/16  | 10 1/2 | 1 3/4   | 52.00          |
| 22220                         | 3 7/16           | PLB6855FD8   | 4 1/2                       | 11 5/8                             | 13 1/8                             | 2 3/8                       | 15 1/4 | 4 1/2 | 3/4   | 1 1/2  | 6 21/32  | 7 5/16   | 8 7/8    | 11 3/4 | 1 29/32 | 79.00          |
| 22222                         | 3 11/16          | PLB6859FD8   | 4 15/16                     | 12 5/8                             | 14 1/2                             | 2 3/4                       | 16 1/2 | 4 3/4 | 3/4   | 2      | 7 7/32   | 7 15/16  | 9 5/8    | 12 1/4 | 2 1/8   | 98.00          |
|                               | 3 15/16          | PLB6863FD8   |                             |                                    |                                    |                             |        |       |       |        |          |          |          |        |         | 116.00         |
| 22224                         | 4 3/16           | PLB6867FD8   | 5 1/4                       | 13 1/4                             | 14 1/2                             | 2 3/4                       | 16 1/2 | 4 3/4 | 3/4   | 1 3/4  | 7 31/32  | 8 9/16   | 10 7/16  | 13 1/2 | 2 9/32  | 116.00         |
| 22226                         | 4 7/16           | PLB6871FD8   | 6                           | 14 5/8                             | 16                                 | 3 1/4                       | 18 3/8 | 5 1/8 | 7/8   | 2 3/8  | 8 31/64  | 9 7/32   | 11 19/32 | 14 1/2 | 2 15/32 | 165.00         |
| 22228                         | 4 15/16          | PLB6879FD8   | 6                           | 16                                 | 17 1/8                             | 3 3/8                       | 20 1/8 | 5 7/8 | 1     | 2 3/8  | 8 7/32   | 8 15/16  | 11 13/16 | 15 1/2 | 2 5/8   | 184.00         |
| 22232                         | 5 7/16           | PLB6887FD8   | 6 11/16                     | 17 3/8                             | 19 1/4                             | 3 3/4                       | 22     | 6 1/4 | 1     | 2 5/8  | 9 9/32   | 9 13/16  | 13 3/8   | 17     | 2 31/32 | 244.00         |
| 22234                         | 5 15/16          | PLB6895FD8   | 7 1/16                      | 19 3/8                             | 21 5/8                             | 4 1/4                       | 24 3/4 | 6 3/4 | 1     | 2 3/4  | 10 1/8   | 11       | 14 1/4   | 18     | 3 1/8   | 309.00         |
|                               | 6                | PLB6896FD8   |                             |                                    |                                    |                             |        |       |       |        |          |          |          |        |         | 322.00         |
| 22236                         | 6 7/16           | PLB68103FD8  | 7 1/2                       | 20 7/8                             | 23 5/8                             | 4 5/8                       | 26 3/4 | 7 1/8 | 1     | 3      | 10 11/16 | 11 3/8   | 14 15/16 | 18 3/4 | 3 5/32  | 322.00         |
|                               | 6 1/2            | PLB68104FD8  |                             |                                    |                                    |                             |        |       |       |        |          |          |          |        |         | 411.00         |
| 22238                         | 6 15/16          | PLB68111FD8  | 7 7/8                       | 21 5/8                             | 24 3/8                             | 4 1/2                       | 28     | 7 1/2 | 1 1/4 | 3 1/8  | 11 11/32 | 12 1/16  | 15 13/16 | 20 1/2 | 3 5/16  | 411.00         |
|                               | 7                | PLB68112FD8  |                             |                                    |                                    |                             |        |       |       |        |          |          |          |        |         | 750.00         |
| 22244                         | 7 1/2            | PLB68120FD8  | 9 1/2                       | 24 3/4                             | 27 7/8                             | 5 1/4                       | 32 3/4 | 8 3/4 | 1 1/2 | 3 3/4  | 12 3/16  | 13 3/16  | 18 9/16  | 24 1/2 | 3 13/16 | 750.00         |
|                               | 7 15/16          | PLB68127FD8  |                             |                                    |                                    |                             |        |       |       |        |          |          |          |        |         | 478.00         |
|                               | 8                | PLB68128FD8  |                             |                                    |                                    |                             |        |       |       |        |          |          |          |        |         | 605.00         |
| 23048                         | 8 7/16           | PLB66135FD8  | 8 1/4                       | 22 1/2                             | 25                                 | 5                           | 29 1/2 | 8     | 1 1/4 | 2 3/8  | 12 1/32  | 12 11/16 | 16 3/4   | 22 1/4 | 3 13/16 | 478.00         |
|                               | 8 1/2            | PLB66136FD8  |                             |                                    |                                    |                             |        |       |       |        |          |          |          |        |         |                |
|                               | 9                | PLB66144FD8  |                             |                                    |                                    |                             |        |       |       |        |          |          |          |        |         |                |
| 23056                         | 9 1/2            | PLB66B152FD8 | 9 1/2                       | 24 3/4                             | 27 7/8                             | 5 1/4                       | 32 3/4 | 8 3/4 | 1 1/2 | 2 3/4  | 13 9/32  | 14 7/16  | 19 1/16  | 24 1/2 | 4 1/4   | 605.00         |
|                               | 10 1/2           | PLB66168FD8  |                             |                                    |                                    |                             |        |       |       |        |          |          |          |        |         |                |

## Additional Notes

- Please call 1-866-REXNORD for availability
- Lubrication fitting tap size: for 4 1/2 in (115 mm) and smaller shaft sizes, 1/8 in PT: for all other shaft sizes, 1/4 in PT
- Seal assembly lubrication fitting tap size: for 1 3/4 in and smaller shaft sizes, 1/4-28 UNF: for all other shaft sizes, 1/8 in PT
- Recommended shaft finish under D8 seals, 10-20 micro inches
- Expansion - is 1/4 in for 1 3/4 in (40 mm) and smaller shaft sizes: all other shaft sizes provide 3/8 in
- Drain plug tap size - for 3 3/16 in (80 mm) and smaller shaft sizes, 1/8 in PT: for 3 7/16 in (90 mm) thru 6 in (150 mm), 1/4 in PT: for all other shaft sizes, 1/2 in PT

- Minimum extension of shaft beyond locknut, .06 in for closed end unit
- Dimension "P" is recommended dimension for cap removal
- Taconite seals standard
- For the Selection Guide, Load Ratings and Speed Limits, see the Link-Belt Split Spherical Roller Bearings Engineering section
- Note: Dimensions subject to change. Certified dimensions of ordered material furnished on request.

# BPLB6800

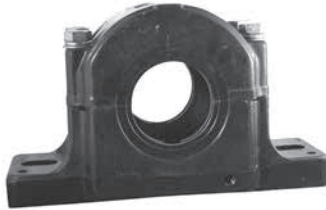
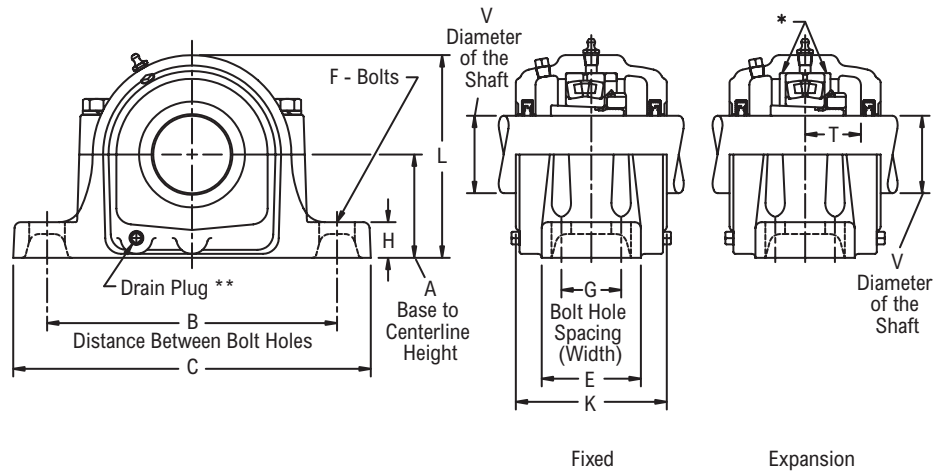


Photo Shows a 2-Bolt Spherical Roller Bearing Two-Piece Pillow Block Unit

## Product Features

- Corrosion-resistant nylon coating
- Two piece cast iron housing
- Stainless steel hardware
- Patented T contact water seal
- Fixed or Expansion - up to 3/8 in expansion
- Matched base & cap
- Large reservoir for grease or oil storage
- Tapered adapter mounted
- See Features & Benefits for additional info.



## Bearing Dimensions

| Size Code                     | V Shaft Diameter | Part Number | A Base to Centerline Height | B Min. Distance Between Bolt Holes | B Max. Distance Between Bolt Holes | G Bolt Hole Spacing (Width) | C      | E     | F   | H      | K     | L        | P      | T       | Approx. Weight |
|-------------------------------|------------------|-------------|-----------------------------|------------------------------------|------------------------------------|-----------------------------|--------|-------|-----|--------|-------|----------|--------|---------|----------------|
| <b>Two-Bolt Pillow Block</b>  |                  |             |                             |                                    |                                    |                             |        |       |     |        |       |          |        |         |                |
| 22209                         | 1 7/16           | BPLB6823    | 2 1/4                       | 6 1/4                              | 7                                  | -                           | 8 1/4  | 2 3/8 | 1/2 | 13/16  | 3 5/8 | 4 3/8    | 6 1/4  | 1 1/16  | 11.00          |
| 22213                         | 2 3/16           | BPLB6835    | 3                           | 8 1/8                              | 9 1/2                              | -                           | 11     | 3 1/4 | 5/8 | 1      | 4 3/8 | 5 15/16  | 8 1/4  | 1 13/32 | 22.00          |
| 22215                         | 2 7/16           | BPLB6839    | 3 1/4                       | 8 5/8                              | 9 5/8                              | -                           | 11 1/4 | 3 1/8 | 5/8 | 1 1/8  | 4 3/4 | 6 3/8    | 8 3/8  | 1 15/32 | 27.00          |
| 22216                         | 2 11/16          | BPLB6843    | 3 1/2                       | 9 5/8                              | 11                                 | -                           | 13     | 3 1/2 | 3/4 | 1 1/4  | 5 1/4 | 7        | 9 1/2  | 1 1/2   | 38.00          |
| 22217                         | 2 15/16          | BPLB6847    | 3 3/4                       | 9 7/8                              | 11                                 | -                           | 13     | 3 1/2 | 3/4 | 1 1/4  | 5     | 7 5/16   | 10     | 1 19/32 | 42.00          |
| 22218                         | 3 3/16           | BPLB6851    | 4                           | 10 1/4                             | 11 3/4                             | -                           | 13 3/4 | 3 7/8 | 3/4 | 1 5/16 | 5 7/8 | 7 15/16  | 10 1/2 | 1 3/4   | 47.00          |
| <b>Four-Bolt Pillow Block</b> |                  |             |                             |                                    |                                    |                             |        |       |     |        |       |          |        |         |                |
| 22215                         | 2 7/16           | BPLB6839F   | 3 1/4                       | 8 5/8                              | 9 5/8                              | 1 7/8                       | 11 1/4 | 3 1/8 | 1/2 | 1 1/8  | 4 3/4 | 6 3/8    | 8 3/8  | 1 15/32 | 27.00          |
| 22216                         | 2 11/16          | BPLB6843F   | 3 1/2                       | 9 5/8                              | 11                                 | 2                           | 13     | 3 1/2 | 5/8 | 1 1/4  | 5 1/4 | 7        | 9 1/2  | 1 1/2   | 38.00          |
| 22217                         | 2 15/16          | BPLB6847F   | 3 3/4                       | 9 7/8                              | 11                                 | 2                           | 13     | 3 1/2 | 5/8 | 1 1/4  | 5     | 7 5/16   | 10     | 1 19/32 | 42.00          |
| 22218                         | 3 3/16           | BPLB6851F   | 4                           | 10 3/8                             | 11 5/8                             | 2 1/8                       | 13 3/4 | 3 7/8 | 5/8 | 1 5/16 | 5 7/8 | 7 15/16  | 10 1/2 | 1 3/4   | 47.00          |
| 22222                         | 3 15/16          | BPLB6863F   | 4 15/16                     | 12 5/8                             | 14 1/2                             | 2 3/4                       | 16 1/2 | 4 3/4 | 3/4 | 2      | 6 1/2 | 9 5/8    | 12 1/4 | 2 1/8   | 87.00          |
| 22226                         | 4 1/2            | BPLB6872F   | 6                           | 14 5/8                             | 16                                 | 3 1/4                       | 18 3/8 | 5 1/8 | 7/8 | 2 3/8  | 7 3/4 | 11 11/32 | 14 1/2 | 2 15/32 | 149.00         |
| 22228                         | 4 15/16          | BPLB6879F   | 6                           | 16                                 | 17 1/8                             | 3 3/8                       | 20 1/8 | 5 7/8 | 1   | 2 3/8  | 7 3/4 | 11 13/16 | 15 1/2 | 2 5/8   | 167.00         |

## Additional Notes

- Please call 1-866-REXNORD for availability
- Lubrication fitting tap size: for 4 1/2 in and smaller shaft sizes, 1/8 in PT; for all other shaft sizes, 1/4 in PT
- Expansion - is 1/4 in for 1 7/16 in ; all other shaft sizes provide 3/8 in
- Drain plug tap size - for 3 3/16 in and smaller shaft sizes, 1/8 in PT; for all other shaft sizes, 1/4 in PT
- Minimum extension of shaft beyond locknut, .06 in for closed end unit
- Dimension "P" is recommended dimension for cap removal

- Exclusive T water seals standard
- For the Selection Guide, Load Ratings and Speed Limits, see the Link-Belt Split Spherical Roller Bearings Engineering section
- Note: Dimensions subject to change. Certified dimensions of ordered material furnished on request.



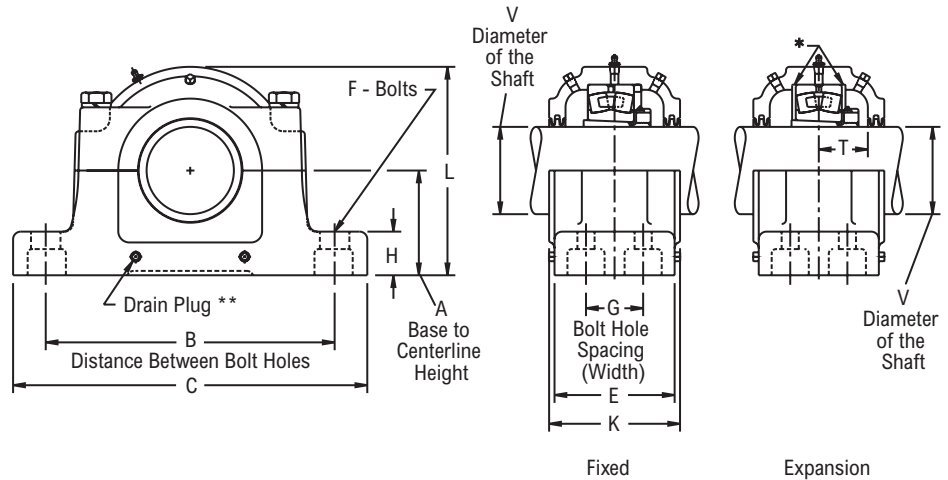
# PKLB6800F, PKLB6600F



Photo Shows a 4-Bolt Spherical Roller Bearing Two-Piece Pillow Block Unit

## Product Features

- Corrosion-resistant powder coating
- Two piece cast steel housing
- Broad range of sealing options
- Fixed or Expansion - up to 3/8 in expansion
- Matched base & cap
- Large reservoir for grease or oil storage
- Tapered adapter mounted
- See Features & Benefits for additional info.



## Bearing Dimensions

| Size Code | V Shaft Diameter | Part Number  | A Base to Centerline Height | B Min. Distance Between Bolt Holes | B Max. Distance Between Bolt Holes | G Bolt Hole Spacing (Width) | C      | E      | F     | H     | K      | L      | P        | T       | Approx. Weight |
|-----------|------------------|--------------|-----------------------------|------------------------------------|------------------------------------|-----------------------------|--------|--------|-------|-------|--------|--------|----------|---------|----------------|
| 22215     | 2 7/16           | PKLB6839FR   | 3 1/4                       | 8 5/8                              | 9 5/8                              | 1 7/8                       | 11 1/4 | 4 3/8  | 1/2   | 1 1/2 | 4 3/4  | 6 3/8  | 10 1/4   | 1 15/32 | 37.00          |
|           | 65.00            | PKLB68M65FR  | 82.55                       | 219.10                             | 244.50                             | 47.60                       | 285.80 | 111.10 | 12.00 | 38.10 | 120.60 | 161.90 | 260.40   | 37.30   | 16.80          |
| 22216     | 2 11/16          | PKLB6843FR   | 3 1/2                       | 9 5/8                              | 11                                 | 2                           | 13     | 4 7/8  | 5/8   | 1 5/8 | 5 1/4  | 7      | 11       | 1 1/2   | 51.00          |
|           | 70.00            | PKLB68M70FR  | 88.90                       | 244.50                             | 279.40                             | 50.80                       | 330.20 | 123.80 | 16.00 | 41.30 | 133.40 | 177.80 | 279.40   | 38.10   | 23.10          |
| 22217     | 2 15/16          | PKLB6847FR   | 3 3/4                       | 9 7/8                              | 11                                 | 2                           | 13     | 4 7/8  | 5/8   | 1 5/8 | 5 1/4  | 7 3/8  | 11 1/2   | 1 19/32 | 51.00          |
|           | 3                | PKLB6848FR   |                             |                                    |                                    |                             |        |        |       |       |        |        |          |         |                |
| 22217     | 75.00            | PKLB68M75FR  | 95.25                       | 250.80                             | 279.40                             | 50.80                       | 330.20 | 123.80 | 16.00 | 41.30 | 133.40 | 187.30 | 292.10   | 40.50   | 23.10          |
|           | 22220            | 3 7/16       | PKLB6855FR                  | 4 1/2                              | 11 5/8                             | 13 1/8                      | 2 3/8  | 15 1/4 | 6     | 3/4   | 1 7/8  | 6 1/2  | 8 13/16  | 13 3/4  | 1 29/32        |
| 3 1/2     |                  | PKLB6856FR   |                             |                                    |                                    |                             |        |        |       |       |        |        |          |         |                |
| 22220     | 90.00            | PKLB68M90FR  | 114.30                      | 295.30                             | 333.40                             | 60.30                       | 387.40 | 152.40 | 20.00 | 47.60 | 165.10 | 223.80 | 349.20   | 48.40   | 44.00          |
|           | 22222            | 3 11/16      | PKLB6859FR                  | 4 15/16                            | 12 5/8                             | 14 1/2                      | 2 3/4  | 16 1/2 | 6 1/2 | 3/4   | 2      | 7      | 9 3/4    | 15 1/4  | 2 1/8          |
| 3 15/16   |                  | PKLB6863FR   |                             |                                    |                                    |                             |        |        |       |       |        |        |          |         |                |
| 4         |                  | PKLB6864FR   |                             |                                    |                                    |                             |        |        |       |       |        |        |          |         |                |
| 22222     | 100.00           | PKLB68M100FR | 125.41                      | 320.70                             | 368.30                             | 69.80                       | 419.10 | 165.10 | 20.00 | 50.80 | 177.80 | 247.60 | 387.40   | 54.00   | 50.80          |
|           | 22226            | 4 7/16       | PKLB6871FR                  | 6                                  | 14 5/8                             | 16                          | 3 1/4  | 18 3/8 | 7 1/4 | 7/8   | 2 1/4  | 7 3/4  | 11 1/2   | 18 1/4  | 2 15/32        |
| 4 1/2     |                  | PKLB6872FR   |                             |                                    |                                    |                             |        |        |       |       |        |        |          |         |                |
| 22226     | 115.00           | PKLB68M115FR | 152.40                      | 371.50                             | 406.40                             | 82.60                       | 466.70 | 184.20 | 24.00 | 57.20 | 196.80 | 292.10 | 463.60   | 62.70   | 88.90          |
|           | 22228            | 4 15/16      | PKLB6879FR                  | 6                                  | 16                                 | 17 1/8                      | 3 3/8  | 20 1/8 | 6 7/8 | 1     | 2 1/2  | 7 1/2  | 11 15/16 | 19 1/4  | 2 5/8          |
| 5         |                  | PKLB6880FR   |                             |                                    |                                    |                             |        |        |       |       |        |        |          |         |                |
| 22228     | 125.00           | PKLB68M125FR | 152.40                      | 406.40                             | 435.00                             | 85.70                       | 511.20 | 174.60 | 24.00 | 63.50 | 190.50 | 303.20 | 489.00   | 66.70   | 93.90          |
|           | 22232            | 5 7/16       | PKLB6887FR                  | 6 11/16                            | 17 3/8                             | 19 1/4                      | 3 3/4  | 22     | 8     | 1     | 2 3/4  | 8 1/2  | 13 1/2   | 20 1/2  | 2 31/32        |
| 140.00    |                  | PKLB68M140FR |                             |                                    |                                    |                             |        |        |       |       |        |        |          |         |                |
| 22232     | 169.86           | PKLB68M140FR | 169.86                      | 441.30                             | 489.00                             | 95.20                       | 558.80 | 203.20 | 24.00 | 69.80 | 215.90 | 342.90 | 520.70   | 75.40   | 122.50         |
|           | 22234            | 5 15/16      | PKLB6895FR                  | 7 1/16                             | 19 3/8                             | 21 5/8                      | 4 1/4  | 24 3/4 | 8 3/4 | 1     | 3      | 9 1/4  | 14 1/4   | 22 1/4  | 3 1/8          |
| 6         |                  | PKLB6896FR   |                             |                                    |                                    |                             |        |        |       |       |        |        |          |         |                |
| 22234     | 150.00           | PKLB68M150FR | 179.39                      | 492.10                             | 549.30                             | 108.00                      | 628.60 | 222.20 | 24.00 | 76.20 | 235.00 | 362.00 | 565.20   | 79.40   | 166.90         |
|           | 22236            | 6 7/16       | PKLB68103FR                 | 7 1/2                              | 20 7/8                             | 23 5/8                      | 4 5/8  | 26 3/4 | 9 1/8 | 1     | 3 1/4  | 9 5/8  | 14 15/16 | 23 1/4  | 3 5/32         |
| 6 1/2     |                  | PKLB68104FR  |                             |                                    |                                    |                             |        |        |       |       |        |        |          |         |                |
| 22236     | 160.00           | PKLB68M160FR | 190.50                      | 530.20                             | 600.10                             | 117.50                      | 679.40 | 231.80 | 24.00 | 82.60 | 244.50 | 379.40 | 590.60   | 80.20   | 176.90         |
|           | 22238            | 6 15/16      | PKLB68111FR                 | 7 7/8                              | 21 5/8                             | 24 3/8                      | 4 1/2  | 28     | 9 3/4 | 1 1/4 | 3 1/4  | 10 1/4 | 15 13/16 | 25      | 3 5/16         |
| 7         |                  | PKLB68112FR  |                             |                                    |                                    |                             |        |        |       |       |        |        |          |         |                |
| 22238     | 170.00           | PKLB68M170FR | 200.02                      | 549.30                             | 619.10                             | 114.30                      | 711.20 | 247.60 | 30.00 | 82.60 | 260.40 | 401.60 | 635.00   | 84.10   | 213.20         |
|           | 22244            | 7 1/2        | PKLB68120FR                 | 9 1/2                              | 25 7/8                             | 27 5/8                      | 7 1/4  | 32     | 12    | 1 3/4 | 4      | 12 5/8 | 18 11/16 | 29 1/4  | 3 13/16        |
| 7 15/16   |                  | PKLB68127FR  |                             |                                    |                                    |                             |        |        |       |       |        |        |          |         |                |
| 22244     | 8                | PKLB68128FR  |                             |                                    |                                    |                             |        |        |       |       |        |        |          |         | 830.00         |

## Additional Notes

Continued...

Continued...

**Bearing Dimensions**

| Size Code | V Shaft Diameter | Part Number  | A Base to Centerline Height | B Min. Distance Between Bolt Holes | B Max. Distance Between Bolt Holes | G Bolt Hole Spacing (Width) | C      | E      | F     | H      | K      | L        | P      | T       | Approx. Weight |
|-----------|------------------|--------------|-----------------------------|------------------------------------|------------------------------------|-----------------------------|--------|--------|-------|--------|--------|----------|--------|---------|----------------|
| 22244     | 200.00           | PKLB68M200FR | 241.30                      | 657.20                             | 701.70                             | 184.20                      | 812.80 | 304.80 | 48.00 | 101.60 | 320.70 | 474.70   | 743.00 | 96.80   | 376.50         |
| 23048     | 8 1/2            | PKLB66136FH  | 8 1/4                       | 22 1/2                             | 25                                 | 5                           | 29 1/2 | 10 3/8 | 1 1/4 | 3 1/2  | 11     | 16 1/2   | 26 1/2 | 3 13/16 | 562.00         |
|           | 9                | PKLB66144FH  |                             |                                    |                                    |                             |        |        |       |        |        |          |        |         | 528.00         |
|           | 220.00           | PKLB66M220FH | 209.55                      | 571.50                             | 635.00                             | 127.00                      | 749.30 | 263.50 | 30.00 | 88.90  | 279.40 | 419.10   | 673.10 | 96.80   | 240.40         |
| 23056     | 9 1/2            | PKLB66B152FH | 9 1/2                       | 25 7/8                             | 27 5/8                             | 7 1/4                       | 32     | 12     | 1 3/4 | 4      | 12 5/8 | 18 11/16 | 29 1/4 | 4 1/4   | 800.00         |
|           | 9 15/16          | PKLB66159FH  |                             |                                    |                                    |                             |        |        |       |        |        |          |        |         | 790.00         |
|           | 10               | PKLB66160FH  |                             |                                    |                                    |                             |        |        |       |        |        |          |        |         | 780.00         |
|           | 10 1/2           | PKLB66168FH  |                             |                                    |                                    |                             |        |        |       |        |        |          |        |         | 770.00         |
|           | 260.00           | PKLB66M260FH | 241.30                      | 657.20                             | 701.70                             | 184.20                      | 812.80 | 304.80 | 48.00 | 101.60 | 320.70 | 474.70   | 743.00 | 108.00  | 358.30         |

**Additional Notes**

Please call 1-866-REXNORD for availability  
 Lubrication fitting tap size, 1/4 in PT  
 Expansion - is 3/8 in for all shaft sizes  
 Drain plug tap size - for 6 in (150 mm) and smaller shaft sizes, 1/4 in PT; for all other shaft sizes, 1/2 in PT  
 Minimum extension of shaft beyond locknut, .06 in for closed end unit  
 Dimension "P" is recommended dimension for cap removal  
 Multi-labyrinth seals standard

All shaft sizes available with type D5 Pentac seals  
 For the Selection Guide, Load Ratings and Speed Limits, see the Link-Belt Split Spherical Roller Bearings Engineering section  
 Note: Dimensions subject to change. Certified dimensions of ordered material furnished on request.

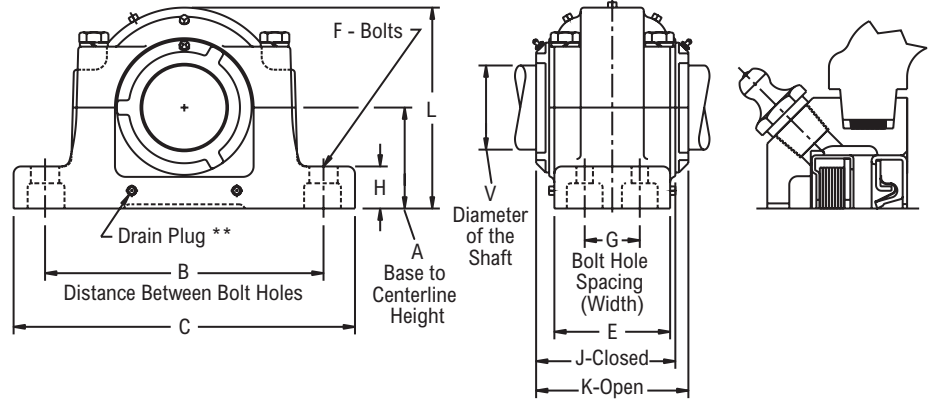
# PKLB6800FD8



Photo Shows a 2-Bolt Spherical Roller Bearing Two-Piece Pillow Block Unit with Independently Flushable Seals

## Product Features

- Corrosion-resistant powder coating
- Two piece cast steel housing
- Independently flushable seals
- Fixed or Expansion - up to 3/8 in expansion
- Matched base & cap
- Large reservoir for grease or oil storage
- Tapered adapter mounted
- See Features & Benefits for additional info.



## Bearing Dimensions

| Size Code | V Shaft Diameter | Part Number  | A Base to Centerline Height | B Min. Distance Between Bolt Holes | B Max. Distance Between Bolt Holes | G Bolt Hole Spacing (Width) | C      | E     | F   | H     | J        | K      | L        | P      | T       | Approx. Weight |
|-----------|------------------|--------------|-----------------------------|------------------------------------|------------------------------------|-----------------------------|--------|-------|-----|-------|----------|--------|----------|--------|---------|----------------|
| 22215     | 2 7/16           | PKLB6839FD8  | 3 1/4                       | 8 5/8                              | 9 5/8                              | 1 7/8                       | 11 1/4 | 4 3/8 | 1/2 | 1 1/2 | 5 17/32  | 6 1/16 | 6 3/8    | 10 1/4 | 1 15/32 | 41.00          |
| 22217     | 2 15/16          | PKLB6847FD8  | 3 3/4                       | 9 7/8                              | 11                                 | 2                           | 13     | 4 7/8 | 5/8 | 1 5/8 | 6 1/16   | 6 5/8  | 7 3/8    | 11 1/2 | 1 19/32 | 57.00          |
| 22220     | 3 7/16           | PKLB6855FD8  | 4 1/2                       | 11 5/8                             | 13 1/8                             | 2 3/8                       | 15 1/4 | 6     | 3/4 | 1 7/8 | 6 21/32  | 7 5/16 | 8 13/16  | 13 3/4 | 1 29/32 | 97.00          |
| 22226     | 4 7/16           | PKLB6871FD8  | 6                           | 14 5/8                             | 16                                 | 3 1/4                       | 18 3/8 | 7 1/4 | 7/8 | 2 1/4 | 8 5/8    | 9 1/4  | 11 1/2   | 18 1/4 | 2 15/32 | 190.00         |
| 22228     | 4 15/16          | PKLB6879FD8  | 6                           | 16                                 | 17 1/8                             | 3 3/8                       | 20 1/8 | 6 7/8 | 1   | 2 1/2 | 8 3/8    | 9      | 11 15/16 | 19 1/4 | 2 5/8   | 210.00         |
| 22236     | 6 7/16           | PKLB68103FD8 | 7 1/2                       | 20 7/8                             | 23 5/8                             | 4 5/8                       | 26 3/4 | 9 1/8 | 1   | 3 1/4 | 10 11/16 | 11 3/8 | 14 15/16 | 23 1/4 | 3 5/32  | 422.00         |

## Additional Notes

- Please call 1-866-REXNORD for availability
- Lubrication fitting tap size, 1/4 in PT
- Seal assembly lubrication fitting tap size, 1/8 in PT
- Recommended shaft finish under D8 seals, 10-20 micro inches
- Expansion - is 3/8 in for all shaft sizes
- Drain plug tap size - for 4 15/16 in and smaller shaft sizes, 1/4 in PT; for all other shaft sizes, 1/2 in PT
- Minimum extension of shaft beyond locknut, .06 in for closed end unit

- Dimension "P" is recommended dimension for cap removal
- Taconite seals standard
- For the Selection Guide, Load Ratings and Speed Limits, see the Link-Belt Split Spherical Roller Bearings Engineering section
- Note: Dimensions subject to change. Certified dimensions of ordered material furnished on request.

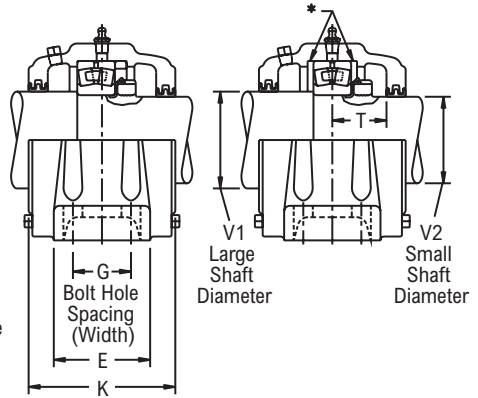
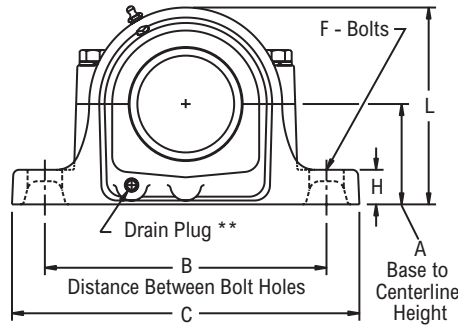
# PLB7800, PLB7800F, PLB7600F



Photo Shows a 2-Bolt Spherical Roller Bearing Two-Piece Pillow Block Unit

## Product Features

- Corrosion-resistant powder coating
- Two piece cast iron housing
- Fixed or Expansion - up to 3/8 in expansion
- Matched base & cap
- Large reservoir for grease or oil storage
- Direct shaft mounted
- See Features & Benefits for additional info.



Fixed

Expansion

## Bearing Dimensions

| Size Code                     | Shaft Diameter | V1 Large Shaft Diameter | V2 Small Shaft Diameter | Part Number | A Base to Centerline Height | B Min. Distance Between Bolt Holes | B Max. Distance Between Bolt Holes | G Bolt Hole Spacing (Width) | C      | E      | F Bolts | H      | K       | L        | P       | T       | Approx. Weight |
|-------------------------------|----------------|-------------------------|-------------------------|-------------|-----------------------------|------------------------------------|------------------------------------|-----------------------------|--------|--------|---------|--------|---------|----------|---------|---------|----------------|
| <b>Two-Bolt Pillow Block</b>  |                |                         |                         |             |                             |                                    |                                    |                             |        |        |         |        |         |          |         |         |                |
| 22215                         | 2.95           | 3 7/16                  | 2 13/16                 | PLB7875R    | 3 1/4                       | 8 5/8                              | 9 5/8                              | -                           | 11 1/4 | 3 1/8  | 5/8     | 1 1/8  | 4 3/4   | 6 3/8    | 8 3/8   | 1 15/32 | 35.00          |
| 22216                         | 3.15           | 3 5/8                   | 3                       | PLB7880R    | 3 1/2                       | 9 5/8                              | 11                                 | -                           | 13     | 3 1/2  | 3/4     | 1 1/4  | 5 1/4   | 7        | 9 1/2   | 1 1/2   | 35.00          |
| 22217                         | 3.35           | 3 15/16                 | 3 3/16                  | PLB7885R    | 3 3/4                       | 9 7/8                              | 11                                 | -                           | 13     | 3 1/2  | 3/4     | 1 1/4  | 5       | 7 5/16   | 10      | 1 19/32 | 40.00          |
| 22218                         | 3.54           | 4 1/8                   | 3 3/8                   | PLB7890R    | 4                           | 10 3/8                             | 11 5/8                             | -                           | 13 3/4 | 3 7/8  | 3/4     | 1 5/16 | 5 7/8   | 7 15/16  | 10 1/2  | 1 3/4   | 42.00          |
| 22220                         | 3.94           | 4 1/2                   | 3 13/16                 | PLB78100R   | 4 1/2                       | 11 5/8                             | 13 1/8                             | -                           | 15 1/4 | 4 3/8  | 7/8     | 1 1/2  | 6       | 8 7/8    | 11 3/4  | 1 29/32 | 62.00          |
| <b>Four-Bolt Pillow Block</b> |                |                         |                         |             |                             |                                    |                                    |                             |        |        |         |        |         |          |         |         |                |
| 22215                         | 2.95           | 3 7/16                  | 2 13/16                 | PLB7875FR   | 3 1/4                       | 8 5/8                              | 9 5/8                              | 1 7/8                       | 11 1/4 | 3 1/8  | 1/2     | 1 1/8  | 4 3/4   | 6 3/8    | 8 3/8   | 1 15/32 | 35.00          |
| 22216                         | 3.15           | 3 5/8                   | 3                       | PLB7880FR   | 3 1/2                       | 9 5/8                              | 11                                 | 2                           | 13     | 3 1/2  | 5/8     | 1 1/4  | 5 1/4   | 7        | 9 1/2   | 1 1/2   | 35.00          |
| 22217                         | 3.35           | 3 15/16                 | 3 3/16                  | PLB7885FR   | 3 3/4                       | 9 7/8                              | 11                                 | 2                           | 13     | 3 1/2  | 5/8     | 1 1/4  | 5       | 7 5/16   | 10      | 1 19/32 | 40.00          |
| 22218                         | 3.54           | 4 1/8                   | 3 3/8                   | PLB7890FR   | 4                           | 10 3/8                             | 11 5/8                             | 2 1/8                       | 13 3/4 | 3 7/8  | 5/8     | 1      | 5 7/8   | 7 15/16  | 10 1/2  | 1 3/4   | 42.00          |
| 22220                         | 3.94           | 4 1/2                   | 3 13/16                 | PLB78100FR  | 4 1/2                       | 11 5/8                             | 13 1/8                             | 2 3/8                       | 15 1/4 | 4 1/2  | 3/4     | 1 1/2  | 6       | 8 7/8    | 11 3/4  | 1 29/32 | 62.00          |
| 22222                         | 4.33           | 4 7/8                   | 4 3/16                  | PLB78110FR  | 4 15/16                     | 12 5/8                             | 14 1/2                             | 2 3/4                       | 16 1/2 | 4 3/4  | 3/4     | 2      | 6 1/2   | 9 5/8    | 12 1/4  | 2 1/8   | 78.00          |
| 22224                         | 4.72           | 5 5/16                  | 4 9/16                  | PLB78120FR  | 5 1/4                       | 13 1/4                             | 14 1/2                             | 2 3/4                       | 16 1/2 | 4 3/4  | 3/4     | 1 3/4  | 7 1/8   | 10 7/16  | 13 1/2  | 2 9/32  | 102.00         |
| 22226                         | 5.12           | 5 7/8                   | 4 15/16                 | PLB78130FR  | 6                           | 14 5/8                             | 16                                 | 3 1/4                       | 18 3/8 | 5 1/8  | 7/8     | 2 3/8  | 7 3/4   | 11 19/32 | 14 1/2  | 2 15/32 | 141.00         |
| 22228                         | 5.51           | 6 1/4                   | 5 5/16                  | PLB78140FR  | 6                           | 16                                 | 17 1/8                             | 3 3/8                       | 20 1/8 | 5 7/8  | 1       | 2 3/8  | 7 3/4   | 11 13/16 | 15 1/2  | 2 5/8   | 162.00         |
| 22230                         | 5.91           | 6 5/8                   | 5 3/4                   | PLB78150FR  | 6 5/16                      | 17                                 | 18 1/4                             | 3 3/4                       | 21 1/4 | 6 1/4  | 1       | 2      | 8 1/8   | 12 9/16  | 16      | 2 3/4   | 182.00         |
| 22232                         | 6.30           | 7                       | 6 1/16                  | PLB78160FR  | 6 11/16                     | 17 3/8                             | 19 1/4                             | 3 3/4                       | 22     | 6 1/4  | 1       | 2 5/8  | 8 1/2   | 13 3/8   | 17      | 2 31/32 | 202.00         |
| 22234                         | 6.69           | 7 7/16                  | 6 7/16                  | PLB78170FR  | 7 1/16                      | 19 3/8                             | 21 5/8                             | 4 1/4                       | 24 3/4 | 6 3/4  | 1       | 2 3/4  | 9 1/4   | 14 1/4   | 18      | 3 1/8   | 240.00         |
| 22236                         | 7.09           | 7 13/16                 | 6 7/8                   | PLB78180FR  | 7 1/2                       | 20 7/8                             | 23 5/8                             | 4 5/8                       | 26 3/4 | 7 1/8  | 1       | 3      | 9 5/8   | 14 15/16 | 18 3/4  | 3 5/32  | 279.00         |
| 22238                         | 7.48           | 8 3/8                   | 7 1/4                   | PLB78190FR  | 7 7/8                       | 21 5/8                             | 24 3/8                             | 4 1/2                       | 28     | 7 1/2  | 1 1/4   | 3 1/8  | 10 1/4  | 15 13/16 | 20 1/2  | 3 5/16  | 345.00         |
| 22240                         | 7.87           | 8 3/4                   | 7 5/8                   | PLB78200FR  | 8 1/4                       | 22 1/2                             | 25                                 | 5                           | 29 1/2 | 8      | 1 1/4   | 2 3/8  | 11      | 16 3/4   | 22 1/4  | 3 17/32 | 415.00         |
| 22244                         | 8.66           | 9 9/16                  | 8 5/16                  | PLB22244    | 9 1/2                       | 24 3/4                             | 27 7/8                             | 5 1/4                       | 32 3/4 | 8 3/4  | 1 1/2   | 3 3/4  | 11 7/8  | 18 5/8   | -       | -       | 620.00         |
|                               |                |                         |                         | 11 3/16     |                             |                                    |                                    |                             |        |        |         |        | 18 9/16 | 24 1/2   | 3 13/16 |         |                |
| 22248                         | 9.45           | 10 1/2                  | 9 3/16                  | PLB22248    | 10 1/4                      | 29                                 | 30 1/2                             | 8 3/4                       | 35     | 14 1/2 | 1 5/8   | 3 3/4  | 14 1/8  | 20 1/2   | -       | -       | 976.00         |
| 23048                         | 9.45           | 10 1/2                  | 9 3/16                  | PLB76240FH  | 8 1/4                       | 22 1/2                             | 25                                 | 5                           | 29 1/2 | 8      | 1 1/4   | 2 3/8  | 11      | 16 3/4   | 22 1/4  | 3 13/16 | 430.00         |
| 23056                         | 11.02          | 12                      | 10 3/4                  | PLB76280FH  | 9 1/2                       | 24 3/4                             | 27 7/8                             | 5 1/4                       | 32 3/4 | 8 3/4  | 1 1/2   | 2 3/4  | 11 3/4  | 19 1/16  | 24 1/2  | 4 1/4   | 595.00         |

## Additional Notes

- Please call 1-866-REXNORD for availability
- Lubrication fitting tap size: for 3.5433 in (90 mm) and smaller shaft sizes, 1/8 in PT: for all other shaft sizes, 1/4 in PT
- Expansion - is 3/8 in for all shaft sizes
- Drain plug tap size - for 3.5433 in (90 mm) and smaller shaft sizes, 1/8 in PT: for 3.9370 in (100 mm) thru 6.6929 in (170 mm), 1/4 in PT: for all other shaft sizes, 1/2 in PT
- Minimum extension of shaft beyond locknut, .06 in for closed end unit
- Dimension "P" is recommended dimension for cap removal

- Multi-labyrinth seals standard
- For the Selection Guide, Load Ratings and Speed Limits, see the Link-Belt Split Spherical Roller Bearings Engineering section
- For shaft bearing seat diameters, see Link-Belt Split Spherical Bearings Shaft & Housing Seat Diameters section
- Note: Dimensions subject to change. Certified dimensions of ordered material furnished on request.

## PKLB7800F, PKLB7600F

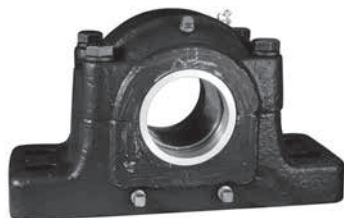
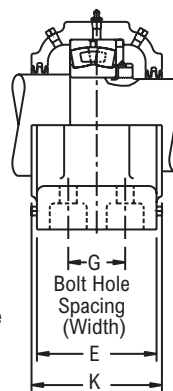
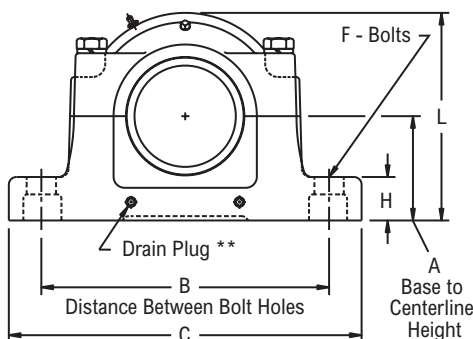


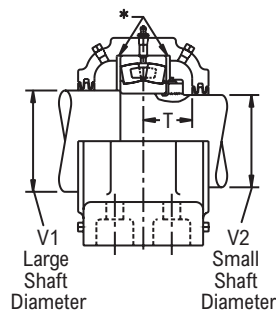
Photo Shows a 4-Bolt Spherical Roller Bearing Two-Piece Pillow Block Unit

### Product Features

- Corrosion-resistant powder coating
- Two piece cast steel housing
- Fixed or Expansion - up to 3/8 in expansion
- Matched base & cap
- Large reservoir for grease or oil storage
- Direct shaft mounted
- See Features & Benefits for additional info.



Fixed



Expansion

### Bearing Dimensions

| Size Code | Shaft Diameter | V1 Large Shaft Diameter | V2 Small Shaft Diameter | Part Number | A Base to Centerline Height | B Min. Distance Between Bolt Holes | B Max. Distance Between Bolt Holes | G Bolt Hole Spacing (Width) | C      | E      | F     | H     | K      | L        | P      | T       | Approx. Weight |
|-----------|----------------|-------------------------|-------------------------|-------------|-----------------------------|------------------------------------|------------------------------------|-----------------------------|--------|--------|-------|-------|--------|----------|--------|---------|----------------|
| 22215     | 2.9528         | 3 7/16                  | 2 13/16                 | PKLB7875FR  | 3 1/4                       | 8 5/8                              | 9 5/8                              | 1 7/8                       | 11 1/4 | 4 3/8  | 1/2   | 1 1/2 | 4 3/4  | 6 3/8    | 10 1/4 | 1 15/32 | 35.00          |
| 22216     | 3.1496         | 3 5/8                   | 3                       | PKLB7880FR  | 3 1/2                       | 9 5/8                              | 11                                 | 2                           | 13     | 4 7/8  | 5/8   | 1 5/8 | 5 1/4  | 7        | 11     | 1 1/2   | 48.00          |
| 22217     | 3.3465         | 3 15/16                 | 3 3/16                  | PKLB7885FR  | 3 3/4                       | 9 7/8                              | 11                                 | 2                           | 13     | 4 7/8  | 5/8   | 1 5/8 | 5 1/4  | 7 3/8    | 11 1/2 | 1 19/32 | 50.00          |
| 22220     | 3.9370         | 4 1/2                   | 3 13/16                 | PKLB78100FR | 4 1/2                       | 11 5/8                             | 13 1/8                             | 2 3/8                       | 15 1/4 | 6      | 3/4   | 1 7/8 | 6 1/2  | 8 13/16  | 13 3/4 | 1 29/32 | 85.00          |
| 22222     | 4.3307         | 4 7/8                   | 4 3/16                  | PKLB78110FR | 4 15/16                     | 12 5/8                             | 14 1/2                             | 2 3/4                       | 16 1/2 | 6 1/2  | 3/4   | 2     | 7      | 9 3/4    | 15 1/4 | 2 1/8   | 105.00         |
| 22226     | 5.1181         | 5 7/8                   | 4 15/16                 | PKLB78130FR | 6                           | 14 5/8                             | 16                                 | 3 1/4                       | 18 3/8 | 7 1/4  | 7/8   | 2 1/4 | 7 3/4  | 11 1/2   | 18 1/4 | 2 15/32 | 187.00         |
| 22228     | 5.5118         | 6 1/4                   | 5 5/16                  | PKLB78140FR | 6                           | 16                                 | 17 1/8                             | 3 3/8                       | 20 1/8 | 6 7/8  | 1     | 2 1/2 | 7 1/2  | 11 15/16 | 19 1/4 | 2 5/8   | 190.00         |
| 22232     | 6.2992         | 7                       | 6 1/16                  | PKLB78160FR | 6 11/16                     | 17 3/8                             | 19 1/4                             | 3 3/4                       | 22     | 8      | 1     | 2 3/4 | 8 1/2  | 13 1/2   | 20 1/2 | 2 31/32 | 250.00         |
| 22234     | 6.6929         | 7 7/16                  | 6 7/16                  | PKLB78170FR | 7 1/16                      | 19 3/8                             | 21 5/8                             | 4 1/4                       | 24 3/4 | 8 3/4  | 1     | 3     | 9 1/4  | 14 1/4   | 22 1/4 | 3 1/8   | 344.00         |
| 22236     | 7.0866         | 7 13/16                 | 6 7/8                   | PKLB78180FR | 7 1/2                       | 20 7/8                             | 23 5/8                             | 4 5/8                       | 26 3/4 | 9 1/8  | 1     | 3 1/4 | 9 5/8  | 14 15/16 | 23 1/4 | 3 5/32  | 365.00         |
| 22238     | 7.4803         | 8 3/8                   | 7 1/4                   | PKLB78190FR | 7 7/8                       | 21 5/8                             | 24 3/8                             | 4 1/2                       | 28     | 9 3/4  | 1 1/4 | 3 1/4 | 10 1/4 | 15 13/16 | 25     | 3 5/16  | 450.00         |
| 22244     | 8.6614         | 9 9/16                  | 8 5/16                  | PKLB78220FR | 9 1/2                       | 25 5/8                             | 27 7/8                             | 7 1/4                       | 32     | 12     | 1 3/4 | 4     | 12 5/8 | 18 11/16 | 29 1/4 | 3 13/16 | 770.00         |
| 23048     | 9.4488         | 10 1/2                  | 9 3/16                  | PKLB76240FH | 8 1/4                       | 22 1/2                             | 25                                 | 5                           | 29 1/2 | 10 3/8 | 1 1/4 | 3 1/2 | 11     | 16 1/2   | 26 1/2 | 3 13/16 | 530.00         |
| 23056     | 11.0236        | 12                      | 10 3/4                  | PKLB76280FH | 9 1/2                       | 25 7/8                             | 27 5/8                             | 7 1/4                       | 32     | 12     | 1 3/4 | 4     | 12 5/8 | 18 11/16 | 29 1/4 | 4 1/4   | 745.00         |

### Additional Notes

- Please call 1-866-REXNORD for availability
- Lubrication fitting tap size, 1/4 in PT
- Expansion - is 3/8 in for all shaft sizes
- Drain plug tap size - for 6.6929 in (170 mm) and smaller shaft sizes, 1/4 in PT; for all other shaft sizes, 1/2 in PT
- Minimum extension of shaft beyond locknut, .06 in for closed end unit
- Dimension "P" is recommended dimension for cap removal
- Multi-labyrinth seals standard

- For the Selection Guide, Load Ratings and Speed Limits, see the Link-Belt Split Spherical Roller Bearings Engineering section
- For shaft bearing seat diameters, see Link-Belt Split Spherical Bearings Shaft & Housing Seat Diameters section
- Note: Dimensions subject to change. Certified dimensions of ordered material furnished on request.

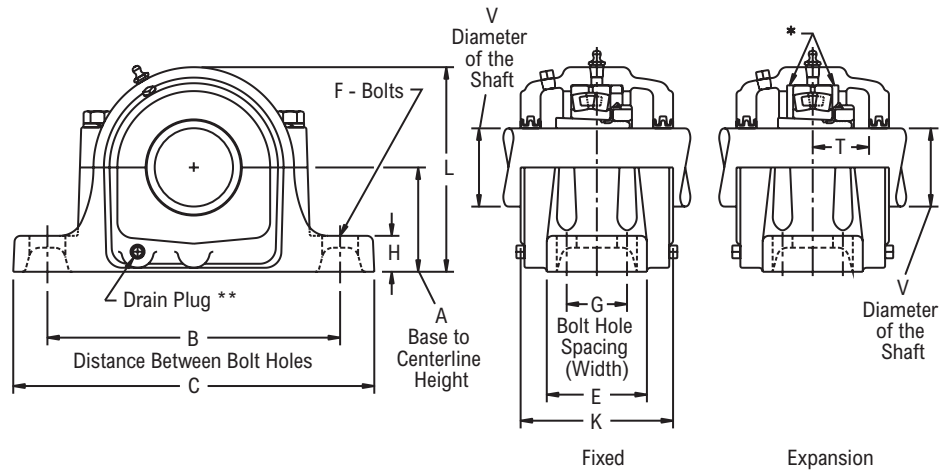
# PLB6900, PLB6900F, SAF22600



Photo Shows a 2-Bolt Spherical Roller Bearing Two-Piece Pillow Block Unit

## Product Features

- Corrosion-resistant powder coating
- Two piece cast iron housing
- Broad range of sealing options
- Fixed or Expansion - up to 3/8 in expansion
- Matched base & cap
- Large reservoir for grease or oil storage
- Tapered adapter mounted
- See Features & Benefits for additional info.



## Bearing Dimensions

| Size Code                     | V Shaft Diameter | Part Number    | A Base to Centerline Height | B Min. Distance Between Bolt Holes | B Max. Distance Between Bolt Holes | G Bolt Hole Spacing (Width) | C      | E      | F Bolts | H      | K      | L        | P      | T       | Approx. Weight |
|-------------------------------|------------------|----------------|-----------------------------|------------------------------------|------------------------------------|-----------------------------|--------|--------|---------|--------|--------|----------|--------|---------|----------------|
| <b>Two-Bolt Pillow Block</b>  |                  |                |                             |                                    |                                    |                             |        |        |         |        |        |          |        |         |                |
| 22309                         | 1 7/16           | PLB6923R       | 2 3/4                       | 7 1/4                              | 8                                  | -                           | 9 5/8  | 2 3/4  | 5/8     | 1      | 4 1/8  | 5 3/8    | 7 1/2  | 1 5/16  | 20.00          |
|                               | 1 1/2            | PLB6924R       |                             |                                    |                                    |                             |        |        |         |        |        |          |        |         |                |
| 22310                         | 1 11/16          | PLB6927R       | 3                           | 7 3/4                              | 9                                  | -                           | 10 5/8 | 2 3/4  | 5/8     | 1 1/8  | 4 1/2  | 5 7/8    | 7 7/8  | 1 15/32 | 23.00          |
| 22311                         | 1 15/16          | PLB6931R       | 3 1/4                       | 8 1/8                              | 9 1/2                              | -                           | 11     | 3 1/8  | 5/8     | 1 3/16 | 4 3/4  | 6 5/16   | 8 1/2  | 1 9/16  | 28.00          |
|                               |                  | 2              |                             |                                    |                                    |                             |        |        |         |        |        |          |        |         |                |
| 22313                         | 2 3/16           | PLB6935R       | 3 1/2                       | 9 5/8                              | 11                                 | -                           | 13     | 3 1/2  | 3/4     | 1 1/4  | 5 1/4  | 7        | 9 5/8  | 1 23/32 | 41.00          |
| 22315                         | 2 7/16           | PLB6939R       | 4                           | 10 3/8                             | 11 5/8                             | -                           | 13 3/4 | 3 7/8  | 3/4     | 1 5/16 | 5 7/8  | 7 15/16  | 10 1/2 | 1 15/16 | 52.00          |
|                               |                  | 2 1/2          |                             |                                    |                                    |                             |        |        |         |        |        |          |        |         |                |
| 22316                         | 2 11/16          | PLB6943R       | 4 1/4                       | 10 5/8                             | 12 5/8                             | -                           | 14 1/4 | 3 7/8  | 3/4     | 1 5/16 | 6 1/8  | 8 3/8    | 11 1/4 | 2       | 59.00          |
| 22317                         | 2 15/16          | PLB6947R       | 4 1/2                       | 11 5/8                             | 13 1/8                             | -                           | 15 1/4 | 4 3/8  | 7/8     | 1 1/2  | 6 1/2  | 8 7/8    | 11 3/4 | 2 1/2   | 71.00          |
| <b>Four-Bolt Pillow Block</b> |                  |                |                             |                                    |                                    |                             |        |        |         |        |        |          |        |         |                |
| 22313                         | 2 3/16           | PLB6935FR      | 3 1/2                       | 9 5/8                              | 11                                 | 2                           | 13     | 3 1/2  | 5/8     | 1 1/4  | 5 1/4  | 7        | 9 5/8  | 1 23/32 | 41.00          |
| 22315                         | 2 7/16           | PLB6939FR      | 4                           | 10 3/8                             | 11 5/8                             | 2 1/8                       | 13 3/4 | 3 7/8  | 5/8     | 1 5/16 | 5 7/8  | 7 15/16  | 10 1/2 | 1 15/16 | 52.00          |
|                               |                  | 2 1/2          |                             |                                    |                                    |                             |        |        |         |        |        |          |        |         |                |
| 22316                         | 2 11/16          | PLB6943FR      | 4 1/4                       | 10 5/8                             | 12 5/8                             | 2 1/4                       | 14 1/4 | 3 7/8  | 5/8     | 1 5/16 | 6 1/8  | 8 3/8    | 11 1/4 | 2       | 59.00          |
| 22317                         | 2 15/16          | PLB6947FR      | 4 1/2                       | 11 5/8                             | 13 1/8                             | 2 3/8                       | 15 1/4 | 4 3/8  | 3/4     | 1 1/2  | 6 1/2  | 8 7/8    | 11 3/4 | 2 1/2   | 71.00          |
| 22318                         | 3 3/16           | SAF22618303    | 4 3/4                       | 12                                 | 13 1/2                             | 2 1/4                       | 15 1/2 | 4 3/8  | 3/4     | 2      | 6 7/8  | 9 1/4    | 12 1/4 | 2 7/32  | 97.00          |
| 22320                         | 3 7/16           | SAF22620307    | 5 1/4                       | 13 1/4                             | 14 1/2                             | 2 3/4                       | 16 1/2 | 4 3/4  | 3/4     | 1 3/4  | 7 1/8  | 10 7/16  | 13 1/2 | 2 7/16  | 111.00         |
|                               |                  | 3 1/2          |                             |                                    |                                    |                             |        |        |         |        |        |          |        |         |                |
| 22322                         | 3 15/16          | SAF22622315    | 6                           | 14 5/8                             | 16                                 | 3 1/4                       | 18 3/8 | 5 1/8  | 7/8     | 1 7/8  | 7 3/4  | 11 11/16 | 14 1/2 | 2 21/32 | 149.00         |
|                               |                  | 4              |                             |                                    |                                    |                             |        |        |         |        |        |          |        |         |                |
| 22324                         | 4 3/16           | SAF22624403    | 6 5/16                      | 17                                 | 18 1/4                             | 3 3/4                       | 21 1/4 | 6 1/4  | 1       | 2 1/2  | 8 3/8  | 12 1/2   | 16     | 2 13/16 | 225.00         |
| 22326                         | 4 7/16           | SAF22626407    | 6 11/16                     | 17 3/8                             | 19 1/4                             | 3 3/4                       | 22     | 6 1/4  | 1       | 2 5/8  | 8 3/4  | 13 5/16  | 17     | 3 5/16  | 228.00         |
| 22328                         | 4 15/16          | SAF22628415    | 7 1/16                      | 19 3/8                             | 21 5/8                             | 4 1/4                       | 24 3/4 | 6 3/4  | 1       | 2 3/4  | 9 5/8  | 14 3/16  | 18     | 3 1/4   | 330.00         |
|                               |                  | 5              |                             |                                    |                                    |                             |        |        |         |        |        |          |        |         |                |
| 22330                         | 5 3/16           | SAF22630503    | 7 1/2                       | 20 7/8                             | 23 5/8                             | 4 5/8                       | 26 3/4 | 7 1/8  | 1       | 3      | 9 3/4  | 14 7/8   | 18 3/4 | 3 7/16  | 375.00         |
| 22332                         | 5 7/16           | SAF22632507    | 7 7/8                       | 21 5/8                             | 24 3/8                             | 4 1/2                       | 28     | 7 1/2  | 1 1/4   | 3 1/8  | 10 3/4 | 15 11/16 | 20 1/2 | 3 5/8   | 430.00         |
| 22334                         | 5 15/16          | SAF22634515    | 8 1/4                       | 22 1/2                             | 25                                 | 5                           | 29 1/2 | 8      | 1 1/4   | 3 3/8  | 11 1/4 | 16 1/2   | 22 1/4 | 3 3/4   | 515.00         |
| 22348                         | 8 15/16          | PLB22648K81516 | 12                          | 32 3/4                             | 33 1/2                             | 9                           | 38 1/4 | 14 3/4 | 1 5/8   | 3 1/2  | 15 1/2 | 24       | -      | -       | 1,370.00       |
| 22356                         | 10 7/16          | PLB22656K10716 | 14                          | 36 3/4                             | 38 1/4                             | 10 3/4                      | 43 3/4 | 18 1/4 | 2       | 5      | 18     | 28       | -      | -       | 2,262.00       |

## Additional Notes

- Please call 1-866-REXNORD for availability
- Lubrication fitting tap size: for 2 11/16 in and smaller shaft sizes, 1/8 in PT; for all other shaft sizes, 1/4 in PT
- Expansion - is 3/8 in for all shaft sizes
- Drain plug tap size - for 2 11/16 in and smaller shaft sizes, 1/8 in PT; for all other shaft sizes, 1/4 in PT
- Minimum extension of shaft beyond locknut, .06 in for closed end unit
- Dimension "P" is recommended dimension for cap removal

- Multi-labyrinth seals standard
- All shaft sizes available with type D5 Pentac seals
- For the Selection Guide, Load Ratings and Speed Limits, see the Link-Belt Split Spherical Roller Bearings Engineering section
- Note: Dimensions subject to change. Certified dimensions of ordered material furnished on request.

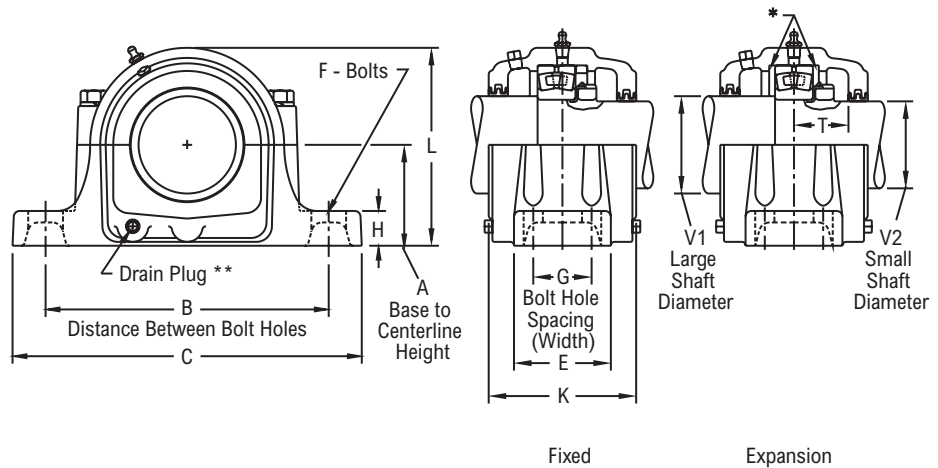
# PLB7900, PLB7900F, SAF22300



Photo Shows a 2-Bolt Spherical Roller Bearing Two-Piece Pillow Block Unit

## Product Features

- Corrosion-resistant powder coating
- Two piece cast iron housing
- Fixed or Expansion - up to 3/8 in expansion
- Matched base & cap
- Large reservoir for grease or oil storage
- Direct shaft mounted
- See Features & Benefits for additional info.



## Bearing Dimensions

| Size Code                     | Shaft Diameter | V1 Large Shaft Diameter | V2 Small Shaft Diameter | Part Number | A Base to Centerline Height | B Min. Distance Between Bolt Holes | B Max. Distance Between Bolt Holes | G Bolt Hole Spacing (Width) | C      | E      | F Bolts | H      | K      | L        | P      | T       | Approx. Weight |
|-------------------------------|----------------|-------------------------|-------------------------|-------------|-----------------------------|------------------------------------|------------------------------------|-----------------------------|--------|--------|---------|--------|--------|----------|--------|---------|----------------|
| <b>Two-Bolt Pillow Block</b>  |                |                         |                         |             |                             |                                    |                                    |                             |        |        |         |        |        |          |        |         |                |
| 22309                         | 1.77           | 2 1/8                   | 1 11/16                 | PLB7945R    | 2 3/4                       | 7 1/4                              | 8                                  | -                           | 9 5/8  | 2 3/4  | 5/8     | 1      | 4 1/8  | 5 3/8    | 7 1/2  | 1 5/16  | 18.00          |
| 22310                         | 1.97           | 2 3/8                   | 1 7/8                   | PLB7950R    | 3                           | 7 3/4                              | 9                                  | -                           | 10 5/8 | 2 3/4  | 5/8     | 1 1/8  | 4 1/2  | 5 7/8    | 7 7/8  | 1 15/32 | 22.00          |
| 22311                         | 2.17           | 2 9/16                  | 2 1/16                  | PLB7955R    | 3 1/4                       | 8 1/8                              | 9 1/2                              | -                           | 11     | 3 1/8  | 5/8     | 1 3/16 | 4 3/4  | 6 5/16   | 8 1/2  | 1 9/16  | 27.00          |
| 22313                         | 2.56           | 3 1/16                  | 2 7/16                  | PLB7965R    | 3 1/2                       | 9 5/8                              | 11                                 | -                           | 13     | 3 1/2  | 3/4     | 1 1/4  | 5 1/4  | 7        | 9 5/8  | 1 23/32 | 39.00          |
| 22315                         | 2.95           | 3 7/16                  | 2 13/16                 | PLB7975R    | 4                           | 10 3/8                             | 11 5/8                             | -                           | 13 3/4 | 3 7/8  | 3/4     | 1 5/16 | 5 7/8  | 7 15/16  | 10 1/2 | 1 15/16 | 50.00          |
| 22316                         | 3.15           | 3 5/8                   | 3                       | PLB7980R    | 4 1/4                       | 10 5/8                             | 12 5/8                             | 2 1/8                       | 14 1/4 | 3 7/8  | 3/4     | 1 5/16 | 6 1/8  | 8 3/8    | 11 1/4 | 2       | 58.00          |
| 22317                         | 3.35           | 3 15/16                 | 3 3/16                  | PLB7985R    | 4 1/2                       | 11 5/8                             | 13 1/8                             | -                           | 15 1/4 | 4 3/8  | 7/8     | 1 1/2  | 6 1/2  | 8 7/8    | 11 3/4 | 2 1/2   | 71.00          |
| <b>Four-Bolt Pillow Block</b> |                |                         |                         |             |                             |                                    |                                    |                             |        |        |         |        |        |          |        |         |                |
| 22313                         | 2.56           | 3 1/16                  | 2 7/16                  | PLB7965FR   | 3 1/2                       | 9 5/8                              | 11                                 | 2                           | 13     | 3 1/2  | 5/8     | 1 1/4  | 5 1/4  | 7        | 9 5/8  | 1 23/32 | 39.00          |
| 22315                         | 2.95           | 3 7/16                  | 2 13/16                 | PLB7975FR   | 4                           | 10 3/8                             | 11 5/8                             | 2 1/8                       | 13 3/4 | 3 7/8  | 5/8     | 1 5/16 | 5 7/8  | 7 15/16  | 10 1/2 | 1 15/16 | 50.00          |
| 22316                         | 3.15           | 3 5/8                   | 3                       | PLB7980FR   | 4 1/4                       | 10 5/8                             | 12 5/8                             | 2 1/8                       | 14 1/4 | 3 7/8  | 5/8     | 1 5/16 | 6 1/8  | 8 3/8    | 11 1/4 | 2       | 58.00          |
| 22317                         | 3.35           | 3 15/16                 | 3 3/16                  | PLB7985FR   | 4 1/2                       | 11 5/8                             | 13 1/8                             | 2 3/8                       | 15 1/4 | 4 3/8  | 3/4     | 1 1/2  | 6 1/2  | 8 7/8    | 11 3/4 | 2 1/2   | 71.00          |
| 22318                         | 3.54           | 4 1/8                   | 3 3/8                   | SAF22318    | 4 3/4                       | 12                                 | 13 1/2                             | 2 1/4                       | 15 1/2 | 4 3/8  | 3/4     | 2      | 6 7/8  | 9 3/16   | 12 1/4 | 2 7/32  | 94.00          |
| 22320                         | 3.94           | 4 1/2                   | 3 13/16                 | SAF22320    | 5 1/4                       | 13 1/4                             | 14 1/2                             | 2 3/4                       | 16 1/2 | 4 3/4  | 3/4     | 1 3/4  | 7 1/8  | 10 7/16  | 13 1/2 | 2 7/16  | 118.00         |
| 22322                         | 4.33           | 4 7/8                   | 4 3/16                  | SAF22322    | 6                           | 14 5/8                             | 16                                 | 3 1/4                       | 18 3/8 | 5 1/8  | 7/8     | 1 7/8  | 7 3/4  | 11 11/16 | 14 1/2 | 2 21/32 | 147.00         |
| 22324                         | 4.72           | 5 5/16                  | 4 9/16                  | SAF22324    | 6 5/16                      | 17                                 | 18 1/4                             | 3 3/4                       | 21 1/4 | 6 1/4  | 1       | 2 1/2  | 8 3/8  | 12 1/2   | 16     | 2 13/16 | 215.00         |
| 22326                         | 5.12           | 5 7/8                   | 4 15/16                 | SAF22326    | 6 11/16                     | 17 3/8                             | 19 1/4                             | 3 3/4                       | 22     | 6 1/4  | 1       | 2 5/8  | 8 3/4  | 13 5/16  | 17     | 3 5/16  | 215.00         |
| 22328                         | 5.51           | 6 1/4                   | 5 5/16                  | SAF22328    | 7 1/16                      | 19 3/8                             | 21 5/8                             | 4 1/4                       | 24 3/4 | 6 3/4  | 1       | 2 3/4  | 9 3/8  | 14 3/16  | 18     | 3 1/4   | 320.00         |
| 22330                         | 5.91           | 6 5/8                   | 5 3/4                   | SAF22330    | 7 1/2                       | 20 7/8                             | 23 5/8                             | 4 5/8                       | 26 3/4 | 7 1/8  | 1       | 3      | 9 3/4  | 14 7/8   | 18 3/4 | 3 7/16  | 350.00         |
| 22332                         | 6.30           | 7                       | 6 1/16                  | SAF22332    | 7 7/8                       | 21 5/8                             | 24 3/8                             | 4 1/2                       | 28     | 7 1/2  | 1 1/4   | 3 1/8  | 10 3/4 | 15 11/16 | 20 1/2 | 3 5/8   | 410.00         |
| 22334                         | 6.69           | 7 7/16                  | 6 7/16                  | SAF22334    | 8 1/4                       | 22 1/2                             | 25                                 | 5                           | 29 1/2 | 8      | 1 1/4   | 3 3/8  | 11 1/4 | 16 1/2   | 22 1/4 | 3 3/4   | 485.00         |
| 22348                         | 9.45           | 10 1/2                  | 9 1/16                  | PLB22348    | 12                          | 32 3/4                             | 33 1/2                             | 9                           | 38 1/4 | 14 3/4 | 1 5/8   | 3 1/2  | 15 1/2 | 24       | -      | -       | 1,322.00       |
| 22356                         | 11.02          | 12 3/4                  | 10 3/4                  | PLB22356    | 14                          | 36 3/4                             | 38 1/4                             | 10 3/4                      | 43 3/4 | 18 1/4 | 2       | 5      | 18     | 28       | -      | -       | 2,203.00       |

## Additional Notes

- Please call 1-866-REXNORD for availability
- Lubrication fitting tap size: for 3.1496 in (80 mm) and smaller shaft sizes, 1/8 in PT: for all other shaft sizes, 1/4 in PT
- Expansion - is 3/8 in for all shaft sizes
- Drain plug tap size - for 3.1496 in (80 mm) and smaller shaft sizes, 1/8 in PT: for 3.3465 in (85 mm) thru 4.3307 in (110 mm), 1/4 in PT: for 4.7244 in (120 mm) thru 6.2992 in (160 mm), 3/8 in PT: for all other shaft sizes, 1/2 in PT
- Minimum extension of shaft beyond locknut, .06 in for closed end unit
- Dimension "P" is recommended dimension for cap removal

- Multi-labyrinth seals standard
- SAF pillow blocks include locknut and washer
- For the Selection Guide, Load Ratings and Speed Limits, see the Link-Belt Split Spherical Roller Bearings Engineering section
- For shaft bearing seat diameters, see Link-Belt Split Spherical Bearings Shaft & Housing Seat Diameters section
- Note: Dimensions subject to change. Certified dimensions of ordered material furnished on request.

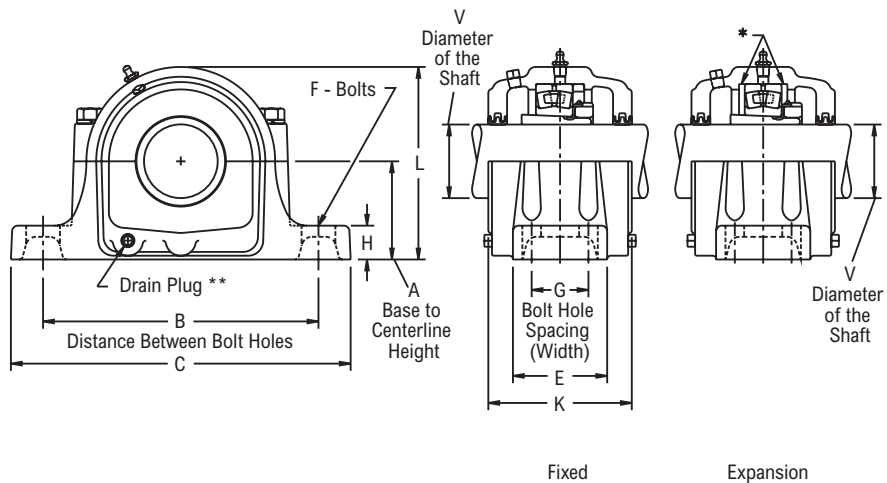
# PLB23000K



Photo Shows a 2-Bolt Spherical Roller Bearing Two-Piece Pillow Block Unit

### Product Features

- Corrosion-resistant powder coating
- Two piece cast iron housing
- Broad range of sealing options
- Fixed or Expansion - up to 3/8 in expansion
- Matched base & cap
- Large reservoir for grease or oil storage
- Tapered adapter mounted
- See Features & Benefits for additional info.



### Bearing Dimensions

| Size Code                     | Shaft Diameter                   | Part Number     | A Base to Centerline Height      | B Min. Distance Between Bolt Holes | B Max. Distance Between Bolt Holes | G Bolt Hole Spacing (Width)    | C                              | E                              | F Bolts                       | H                              | K                               | L                                | Approx. Weight |
|-------------------------------|----------------------------------|-----------------|----------------------------------|------------------------------------|------------------------------------|--------------------------------|--------------------------------|--------------------------------|-------------------------------|--------------------------------|---------------------------------|----------------------------------|----------------|
| <b>Four-Bolt Pillow Block</b> |                                  |                 |                                  |                                    |                                    |                                |                                |                                |                               |                                |                                 |                                  |                |
| 23044                         | 7 <sup>15</sup> / <sub>16</sub>  | PLB23044K71516  | 7 <sup>7</sup> / <sub>8</sub>    | 21 <sup>5</sup> / <sub>8</sub>     | 24 <sup>3</sup> / <sub>8</sub>     | 4 <sup>1</sup> / <sub>2</sub>  | 28                             | 7 <sup>1</sup> / <sub>2</sub>  | 1 <sup>1</sup> / <sub>4</sub> | 3 <sup>1</sup> / <sub>8</sub>  | 10 <sup>3</sup> / <sub>4</sub>  | 15 <sup>11</sup> / <sub>16</sub> | 413.00         |
|                               | 8                                | PLB23044K8      |                                  |                                    |                                    |                                |                                |                                |                               |                                |                                 |                                  |                |
| 23048                         | 8 <sup>1</sup> / <sub>2</sub>    | PLB23048K812    | 8 <sup>1</sup> / <sub>4</sub>    | 22 <sup>1</sup> / <sub>2</sub>     | 25                                 | 5                              | 29 <sup>1</sup> / <sub>2</sub> | 8                              | 1 <sup>1</sup> / <sub>4</sub> | 3 <sup>3</sup> / <sub>8</sub>  | 11 <sup>1</sup> / <sub>8</sub>  | 16 <sup>11</sup> / <sub>16</sub> | 474.00         |
|                               | 8 <sup>15</sup> / <sub>16</sub>  | PLB23048K81516  |                                  |                                    |                                    |                                |                                |                                |                               |                                |                                 |                                  |                |
| 23052                         | 9 <sup>7</sup> / <sub>16</sub>   | PLB23052K9716   | 9 <sup>1</sup> / <sub>2</sub>    | 24 <sup>3</sup> / <sub>4</sub>     | 27 <sup>7</sup> / <sub>8</sub>     | 5 <sup>1</sup> / <sub>4</sub>  | 32 <sup>3</sup> / <sub>4</sub> | 8 <sup>3</sup> / <sub>4</sub>  | 1 <sup>1</sup> / <sub>2</sub> | 3 <sup>3</sup> / <sub>4</sub>  | 11 <sup>7</sup> / <sub>8</sub>  | 18 <sup>13</sup> / <sub>16</sub> | 530.00         |
|                               | 9 <sup>1</sup> / <sub>2</sub>    | PLB23052K912    |                                  |                                    |                                    |                                |                                |                                |                               |                                |                                 |                                  |                |
| 23056                         | 9 <sup>15</sup> / <sub>16</sub>  | PLB23056K91516  | 9 <sup>7</sup> / <sub>8</sub>    | 26 <sup>1</sup> / <sub>4</sub>     | 29 <sup>1</sup> / <sub>2</sub>     | 5 <sup>1</sup> / <sub>2</sub>  | 34 <sup>1</sup> / <sub>4</sub> | 9                              | 1 <sup>1</sup> / <sub>2</sub> | 4                              | 12 <sup>1</sup> / <sub>16</sub> | 20 <sup>3</sup> / <sub>16</sub>  | 800.00         |
|                               | 10                               | PLB23056K10     |                                  |                                    |                                    |                                |                                |                                |                               |                                |                                 |                                  |                |
| 23060                         | 10 <sup>7</sup> / <sub>16</sub>  | PLB23056K10716  | 12                               | 32 <sup>3</sup> / <sub>4</sub>     | 33 <sup>1</sup> / <sub>2</sub>     | 9                              | 38 <sup>1</sup> / <sub>4</sub> | 14 <sup>3</sup> / <sub>4</sub> | 1 <sup>5</sup> / <sub>8</sub> | 3 <sup>1</sup> / <sub>2</sub>  | 15 <sup>1</sup> / <sub>2</sub>  | 24                               | 1,200.00       |
|                               | 10 <sup>15</sup> / <sub>16</sub> | PLB23060K101516 |                                  |                                    |                                    |                                |                                |                                |                               |                                |                                 |                                  |                |
| 23064                         | 11                               | PLB23060K11     | 12                               | 32 <sup>3</sup> / <sub>4</sub>     | 33 <sup>1</sup> / <sub>2</sub>     | 9                              | 38 <sup>1</sup> / <sub>4</sub> | 15 <sup>1</sup> / <sub>8</sub> | 1 <sup>5</sup> / <sub>8</sub> | 3 <sup>1</sup> / <sub>2</sub>  | 16 <sup>1</sup> / <sub>2</sub>  | 24                               | 1,250.00       |
|                               | 11 <sup>15</sup> / <sub>16</sub> | PLB23064K111516 |                                  |                                    |                                    |                                |                                |                                |                               |                                |                                 |                                  |                |
| 23068                         | 12                               | PLB23064K12     | 12                               | 32                                 | 33 <sup>1</sup> / <sub>2</sub>     | 10                             | 39                             | 15 <sup>1</sup> / <sub>4</sub> | 1 <sup>7</sup> / <sub>8</sub> | 4 <sup>3</sup> / <sub>16</sub> | 15 <sup>3</sup> / <sub>4</sub>  | 24                               | 1,550.00       |
|                               | 12 <sup>1</sup> / <sub>2</sub>   | PLB23068K1212   |                                  |                                    |                                    |                                |                                |                                |                               |                                |                                 |                                  |                |
| 23072                         | 12 <sup>15</sup> / <sub>16</sub> | PLB23072K121516 | 12 <sup>13</sup> / <sub>16</sub> | 35                                 | 36 <sup>1</sup> / <sub>2</sub>     | 10 <sup>1</sup> / <sub>2</sub> | 41 <sup>3</sup> / <sub>4</sub> | 15 <sup>3</sup> / <sub>4</sub> | 1 <sup>7</sup> / <sub>8</sub> | 4 <sup>1</sup> / <sub>2</sub>  | 16 <sup>1</sup> / <sub>4</sub>  | 26                               | 1,650.00       |
|                               | 13                               | PLB23072K13     |                                  |                                    |                                    |                                |                                |                                |                               |                                |                                 |                                  |                |
| 23076                         | 13 <sup>15</sup> / <sub>16</sub> | PLB23076K131516 | 12 <sup>13</sup> / <sub>16</sub> | 35                                 | 36 <sup>1</sup> / <sub>2</sub>     | 10 <sup>1</sup> / <sub>2</sub> | 41 <sup>3</sup> / <sub>4</sub> | 15 <sup>3</sup> / <sub>4</sub> | 1 <sup>7</sup> / <sub>8</sub> | 4 <sup>1</sup> / <sub>2</sub>  | 16 <sup>1</sup> / <sub>4</sub>  | 26                               | 1,700.00       |
|                               | 14                               | PLB23076K14     |                                  |                                    |                                    |                                |                                |                                |                               |                                |                                 |                                  | 3,245.00       |
| 23080                         | 15                               | PLB23080K15     | 14 <sup>1</sup> / <sub>2</sub>   | 39 <sup>1</sup> / <sub>4</sub>     | 40 <sup>3</sup> / <sub>4</sub>     | 11                             | 46                             | 17 <sup>1</sup> / <sub>8</sub> | 2                             | 5                              | 18                              | 28 <sup>3</sup> / <sub>4</sub>   | 2,300.00       |
| 23084                         | 15 <sup>3</sup> / <sub>4</sub>   | PLB23084K1534   | 14 <sup>1</sup> / <sub>2</sub>   | 39 <sup>1</sup> / <sub>4</sub>     | 40 <sup>3</sup> / <sub>4</sub>     | 11                             | 46                             | 17 <sup>1</sup> / <sub>8</sub> | 2                             | 5                              | 18                              | 28 <sup>3</sup> / <sub>4</sub>   | 2,300.00       |
| 23088                         | 16 <sup>1</sup> / <sub>2</sub>   | PLB23088K1612   | 15 <sup>1</sup> / <sub>2</sub>   | 41 <sup>1</sup> / <sub>2</sub>     | 43 <sup>1</sup> / <sub>2</sub>     | 12 <sup>1</sup> / <sub>4</sub> | 48 <sup>3</sup> / <sub>4</sub> | 18 <sup>3</sup> / <sub>4</sub> | 2 <sup>1</sup> / <sub>4</sub> | 5 <sup>1</sup> / <sub>2</sub>  | 19 <sup>3</sup> / <sub>8</sub>  | 31                               | 2,550.00       |
| 23092                         | 17                               | PLB23092K17     | 15 <sup>1</sup> / <sub>2</sub>   | 41 <sup>1</sup> / <sub>2</sub>     | 43 <sup>1</sup> / <sub>2</sub>     | 12 <sup>1</sup> / <sub>4</sub> | 48 <sup>3</sup> / <sub>4</sub> | 18 <sup>3</sup> / <sub>4</sub> | 2 <sup>1</sup> / <sub>4</sub> | 5 <sup>1</sup> / <sub>2</sub>  | 19 <sup>3</sup> / <sub>8</sub>  | 31                               | 2,850.00       |
| 23096                         | 18                               | PLB23096K18     | 17                               | 44 <sup>1</sup> / <sub>2</sub>     | 46 <sup>3</sup> / <sub>8</sub>     | 14 <sup>1</sup> / <sub>2</sub> | 52 <sup>3</sup> / <sub>4</sub> | 22 <sup>1</sup> / <sub>4</sub> | 2 <sup>1</sup> / <sub>4</sub> | 5 <sup>1</sup> / <sub>2</sub>  | 21 <sup>3</sup> / <sub>4</sub>  | 34                               | 4,250.00       |
| 230530                        | 19 <sup>1</sup> / <sub>2</sub>   | PLB230530K1912  | 18                               | 47 <sup>1</sup> / <sub>8</sub>     | 48 <sup>7</sup> / <sub>8</sub>     | 15                             | 54 <sup>1</sup> / <sub>4</sub> | 21 <sup>5</sup> / <sub>8</sub> | 2 <sup>1</sup> / <sub>2</sub> | 5 <sup>3</sup> / <sub>4</sub>  | 22 <sup>3</sup> / <sub>4</sub>  | 35 <sup>3</sup> / <sub>4</sub>   | 5,200.00       |
| 230560                        | 21                               | PLB230560K21    | 18                               | 47 <sup>1</sup> / <sub>8</sub>     | 48 <sup>7</sup> / <sub>8</sub>     | 15                             | 54 <sup>1</sup> / <sub>4</sub> | 21 <sup>5</sup> / <sub>8</sub> | 2 <sup>1</sup> / <sub>2</sub> | 5 <sup>3</sup> / <sub>4</sub>  | 22 <sup>3</sup> / <sub>4</sub>  | 35 <sup>3</sup> / <sub>4</sub>   | 3,745.00       |
| 230600                        | 22                               | PLB230600K22    | 20                               | 52 <sup>1</sup> / <sub>2</sub>     | 54                                 | 16                             | 60                             | 22                             | 3                             | 6                              | 24 <sup>5</sup> / <sub>8</sub>  | 40                               | 5,525.00       |
| 230630                        | 24                               | PLB230630K24    | 20                               | 52 <sup>1</sup> / <sub>2</sub>     | 54                                 | 16                             | 60                             | 22                             | 3                             | 6                              | 24 <sup>5</sup> / <sub>8</sub>  | 40                               | 5,356.00       |

### Additional Notes

- Please Call 1-866-REXNORD for availability
- Lubrication Fitting Tap Size, 1/4 in PT
- Expansion is 3/8 in for all shaft sizes
- Multi-labyrinth seals standard
- For the Selection Guide, Load Ratings and Speed Limits, see the Link-Belt Split Spherical Roller Bearings Engineering section
- Note: Dimensions subject to change. Certified dimensions of ordered material furnished on request.



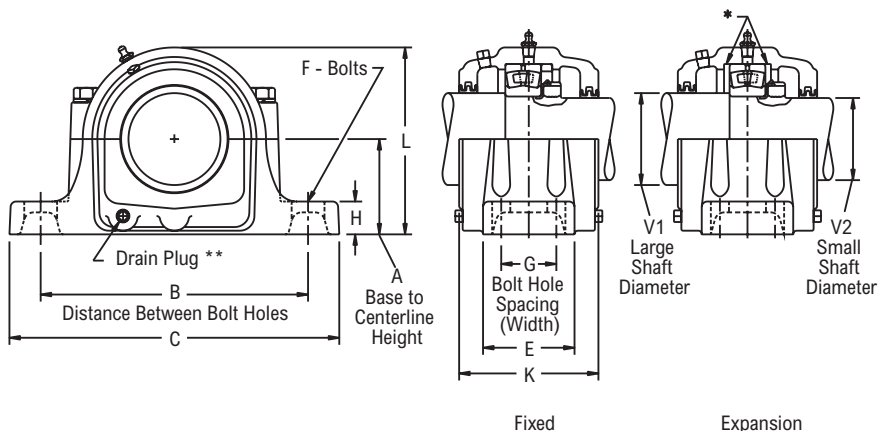
**PLB23000**



Photo Shows a 2-Bolt Spherical Roller Bearing Two-Piece Pillow Block Unit

**Product Features**

- Corrosion-resistant powder coating
- Two piece cast iron housing
- Fixed or Expansion - up to 3/8 in expansion
- Matched base & cap
- Large reservoir for grease or oil storage
- Direct shaft mounted
- See Features & Benefits for additional info.



**Bearing Dimensions**

| Size Code                     | Shaft Diameter | V1 Large Shaft Diameter | V2 Small Shaft Diameter | Part Number | A Base to Centerline Height | B Min. Distance Between Bolt Holes | B Max. Distance Between Bolt Holes | G Bolt Hole Spacing (Width) | C      | E      | F Bolts | H      | L        | Approx. Weight |
|-------------------------------|----------------|-------------------------|-------------------------|-------------|-----------------------------|------------------------------------|------------------------------------|-----------------------------|--------|--------|---------|--------|----------|----------------|
| <b>Four-Bolt Pillow Block</b> |                |                         |                         |             |                             |                                    |                                    |                             |        |        |         |        |          |                |
| 23044                         | 8.66           | 9 9/16                  | 8 5/16                  | PLB23044    | 7 7/8                       | 21 5/8                             | 24 3/8                             | 4 1/2                       | 28     | 7 1/2  | 1 1/4   | 3 1/8  | 15 11/16 | 413.00         |
| 23048                         | 9.45           | 10 1/2                  | 9 3/16                  | PLB23048    | 8 1/4                       | 22 1/2                             | 25                                 | 5                           | 29 1/2 | 8      | 1 1/4   | 3 3/8  | 16 11/16 | 388.00         |
| 23052                         | 10.24          | 11 1/2                  | 9 15/16                 | PLB23052    | 9 1/2                       | 24 3/4                             | 27 7/8                             | 5 1/4                       | 32 3/4 | 8 3/4  | 1 1/2   | 3 3/4  | 18 13/16 | 547.00         |
| 23056                         | 11.02          | 12 1/2                  | 10 3/4                  | PLB23056    | 9 7/8                       | 26 1/4                             | 29 1/2                             | 5 1/2                       | 34 1/4 | 9      | 1 1/2   | 4      | 20 3/16  | 528.00         |
| 23060                         | 11.81          | 13                      | 11 1/2                  | PLB23060    | 12                          | 32 3/4                             | 33 1/2                             | 9                           | 38 1/4 | 14 3/4 | 1 5/8   | 3 1/2  | 24       | 1,200.00       |
| 23064                         | 12.60          | 13 3/4                  | 12 1/4                  | PLB23064    | 12                          | 32 3/4                             | 33 1/2                             | 9                           | 38 1/4 | 15 1/8 | 1 5/8   | 3 1/2  | 24       | 1,300.00       |
| 23068                         | 13.39          | 15                      | 13                      | PLB23068    | 12                          | 32                                 | 33 1/2                             | 10                          | 39     | 15 1/4 | 1 7/8   | 4 3/16 | 24       | 1,550.00       |
| 23072                         | 14.17          | 15 3/4                  | 13 3/4                  | PLB23072    | 12 13/16                    | 35                                 | 36 1/2                             | 10 1/2                      | 41 3/4 | 15 3/4 | 1 7/8   | 4 1/2  | 26       | 1,650.00       |
| 23076                         | 14.96          | 16 3/4                  | 14 1/2                  | PLB23076    | 12 13/16                    | 35                                 | 36 1/2                             | 10 1/2                      | 41 3/4 | 15 3/4 | 1 7/8   | 4 1/2  | 26       | 1,700.00       |
| 23080                         | 15.75          | 17 1/2                  | 15 3/8                  | PLB23080    | 14 1/2                      | 39 1/4                             | 40 3/4                             | 11                          | 46     | 17 1/8 | 2       | 5      | 28 3/4   | 2,300.00       |
| 23084                         | 16.54          | 18                      | 16                      | PLB23084    | 14 1/2                      | 39 1/4                             | 40 3/4                             | 11                          | 46     | 17 1/8 | 2       | 5      | 28 3/4   | 2,300.00       |
| 23088                         | 17.32          | 19 1/2                  | 17                      | PLB23088    | 15 1/2                      | 41 1/2                             | 43 1/2                             | 12 1/4                      | 48 3/4 | 18 3/4 | 2 1/4   | 5 1/2  | 31       | 2,550.00       |
| 23092                         | 18.11          | 20                      | 17 3/4                  | PLB23092    | 15 1/2                      | 41 1/2                             | 43 1/2                             | 12 1/4                      | 48 3/4 | 18 3/4 | 2 1/4   | 5 1/2  | 31       | 2,850.00       |
| 23096                         | 18.90          | 21                      | 18 1/2                  | PLB23096    | 17                          | 44 1/2                             | 46 5/8                             | 14 1/2                      | 52 3/4 | 22 1/4 | 2 1/4   | 5 1/2  | 34       | 4,250.00       |
| 230530                        | 20.87          | 22 1/2                  | 20 3/8                  | PLB230530   | 18                          | 47 1/8                             | 48 7/8                             | 15                          | 54 1/4 | 21 5/8 | 2 1/2   | 5 3/4  | 35 3/4   | 5,200.00       |
| 230560                        | 22.05          | -                       | -                       | PLB230560   | 18                          | 47 1/8                             | 48 7/8                             | 15                          | 54 1/4 | 21 5/8 | 2 1/2   | 5 3/4  | 35 3/4   | 3,745.00       |

**Additional Notes**

- Please Call 1-866-REXNORD for availability
- Lubrication Fitting Tap Size, 1/4 in PT
- Expansion is 3/8 in for all shaft sizes
- Multi-labyrinth seals standard
- For the Selection Guide, Load Ratings and Speed Limits, see the Link-Belt Split Spherical Roller Bearings Engineering section
- Note: Dimensions subject to change. Certified dimensions of ordered material furnished on request.

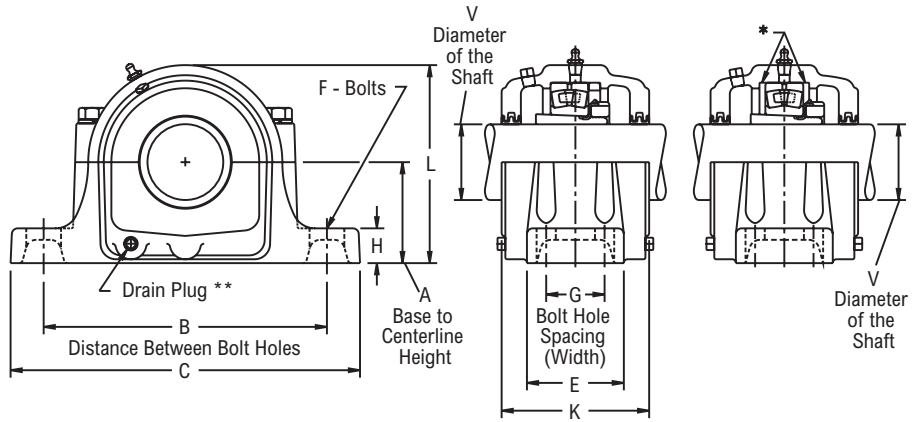
# PLB23100K



Two-Piece Pillow Block Unit

### Product Features

- Corrosion-resistant powder coating
- Two piece cast iron housing
- Broad range of sealing options
- Fixed or Expansion - up to 3/8 in expansion
- Matched base & cap
- Large reservoir for grease or oil storage
- Tapered adapter mounted
- See Features & Benefits for additional info.



### Bearing Dimensions

| Size Code                     | Shaft Diameter | Part Number     | A Base to Centerline Height | B Min. Distance Between Bolt Holes | B Max. Distance Between Bolt Holes | G Bolt Hole Spacing (Width) | C      | E      | F Bolts | H     | L      | Approx. Weight |
|-------------------------------|----------------|-----------------|-----------------------------|------------------------------------|------------------------------------|-----------------------------|--------|--------|---------|-------|--------|----------------|
| <b>Four-Bolt Pillow Block</b> |                |                 |                             |                                    |                                    |                             |        |        |         |       |        |                |
| 23144                         | 8              | PLB23144K8      | 8 1/4                       | 22 1/2                             | 25                                 | 5                           | 29 1/2 | 8      | 1 1/4   | 3 3/8 | 16 1/2 | 496.00         |
| 23148                         | 8 15/16        | PLB23148K81516  | 9 1/2                       | 24 3/4                             | 27 7/8                             | 5 1/4                       | 32 3/4 | 8 3/4  | 1 1/2   | 3 3/4 | 18 5/8 | 820.00         |
| 23152                         | 9 7/16         | PLB23152K9716   | 10 1/4                      | 29                                 | 30 1/2                             | 8 3/4                       | 35     | 14 1/2 | 1 5/8   | 3 3/4 | 20 1/2 | 1,029.00       |
| 23156                         | 10 7/16        | PLB23156K10716  | 12                          | 32 3/4                             | 33 1/2                             | 9                           | 38 1/4 | 14 3/4 | 1 5/8   | 3 1/2 | 24     | 1,253.00       |
| 23160                         | 10 15/16       | PLB23160K101516 | 12                          | 32 3/4                             | 33 1/2                             | 9                           | 38 1/4 | 15 1/8 | 1 5/8   | 3 1/2 | 24     | 1,333.00       |
| 23164                         | 11 15/16       | PLB23164K111516 | 12 13/16                    | 35                                 | 36 1/2                             | 10 1/2                      | 41 3/4 | 15 3/4 | 1 7/8   | 4 1/2 | 26     | 1,768.00       |
| 23168                         | 12 7/16        | PLB23168K12716  | 14                          | 36 3/4                             | 38 1/4                             | 10 3/4                      | 43 3/4 | 18 1/4 | 2       | 5     | 28     | 2,265.00       |
| 23172                         | 13 7/16        | PLB23172K13716  | 14 1/2                      | 39 1/4                             | 40 3/4                             | 11                          | 46     | 17 1/8 | 2       | 5     | 28 3/4 | 2,442.00       |
| 23176                         | 13 15/16       | PLB23176K131516 | 14 1/2                      | 39 1/4                             | 40 3/4                             | 11                          | 46     | 17 1/8 | 2       | 5     | 28 3/4 | 2,473.00       |
| 23180                         | 15             | PLB23180K15     | 15 1/2                      | 41 1/2                             | 43 1/2                             | 12 1/4                      | 48 3/4 | 18 3/4 | 2 1/4   | 5 1/2 | 31     | 3,119.00       |
| 23184                         | 15 3/4         | PLB23184K1534   | 17                          | 44 1/2                             | 46 5/8                             | 14 1/2                      | 52 3/4 | 22 1/4 | 2 1/4   | 5 1/2 | 34     | 4,039.00       |
| 23188                         | 16 1/2         | PLB23188K1612   | 17                          | 44 1/2                             | 46 5/8                             | 14 1/2                      | 52 3/4 | 22 1/4 | 2 1/4   | 5 1/2 | 34     | 4,003.00       |
| 23192                         | 17             | PLB23192K17     | 18                          | 47 1/8                             | 48 7/8                             | 15                          | 54 1/4 | 21 5/8 | 2 1/2   | 5 3/4 | 35 3/4 | 4,600.00       |
| 23196                         | 18             | PLB23196K18     | 18                          | 47 1/8                             | 48 7/8                             | 15                          | 54 1/4 | 21 5/8 | 2 1/2   | 5 3/4 | 35 3/4 | 4,707.00       |
| 231530                        | 19 1/2         | PLB231530K1912  | 20                          | 52 1/2                             | 54                                 | 16                          | 60     | 22     | 3       | 6     | 40     | 6,002.00       |
| 231560                        | 21             | PLB231560K21    | 20                          | 52 1/2                             | 54                                 | 16                          | 60     | 22     | 3       | 6     | 40     | 5,881.00       |

### Additional Notes

- Please Call 1-866-REXNORD for availability
- Lubrication Fitting Tap Size, 1/4 in PT
- Expansion is 3/8 in for all shaft sizes
- Multi-labyrinth seals standard
- For the Selection Guide, Load Ratings and Speed Limits, see the Link-Belt Split Spherical Roller Bearings Engineering section
- Note: Dimensions subject to change. Certified dimensions of ordered material furnished on request.

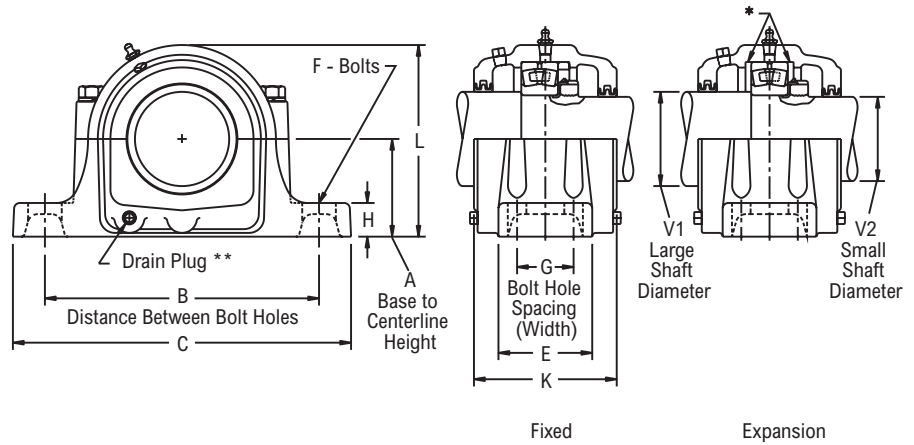
# PLB23100



Photo Shows a 2-Bolt Spherical Roller Bearing Two-Piece Pillow Block Unit

## Product Features

- Corrosion-resistant powder coating
- Two piece cast iron housing
- Fixed or Expansion - up to 3/8 in expansion
- Matched base & cap
- Large reservoir for grease or oil storage
- Direct shaft mounted
- See Features & Benefits for additional info.



## Bearing Dimensions

| Size Code                     | Shaft Diameter | V1 Large Shaft Diameter        | V2 Small Shaft Diameter         | Part Number | A Base to Centerline Height      | B Min. Distance Between Bolt Holes | B Max. Distance Between Bolt Holes | G Bolt Hole Spacing (Width)    | C                              | E                              | F Bolts                       | H                             | L                              | Approx. Weight |
|-------------------------------|----------------|--------------------------------|---------------------------------|-------------|----------------------------------|------------------------------------|------------------------------------|--------------------------------|--------------------------------|--------------------------------|-------------------------------|-------------------------------|--------------------------------|----------------|
| <b>Four-Bolt Pillow Block</b> |                |                                |                                 |             |                                  |                                    |                                    |                                |                                |                                |                               |                               |                                |                |
| 23144                         | 8.66           | 9 <sup>9</sup> / <sub>16</sub> | 8 <sup>5</sup> / <sub>16</sub>  | PLB23144    | 8 <sup>1</sup> / <sub>4</sub>    | 22 <sup>1</sup> / <sub>2</sub>     | 25                                 | 5                              | 29 <sup>1</sup> / <sub>2</sub> | 8                              | 1 <sup>1</sup> / <sub>4</sub> | 3 <sup>3</sup> / <sub>8</sub> | 16 <sup>1</sup> / <sub>2</sub> | 466.00         |
| 23148                         | 9.45           | 10 <sup>1</sup> / <sub>2</sub> | 9 <sup>3</sup> / <sub>16</sub>  | PLB23148    | 9 <sup>1</sup> / <sub>2</sub>    | 24 <sup>3</sup> / <sub>4</sub>     | 27 <sup>7</sup> / <sub>8</sub>     | 5 <sup>1</sup> / <sub>4</sub>  | 32 <sup>3</sup> / <sub>4</sub> | 8 <sup>3</sup> / <sub>4</sub>  | 1 <sup>1</sup> / <sub>2</sub> | 3 <sup>3</sup> / <sub>4</sub> | 18 <sup>5</sup> / <sub>8</sub> | 782.00         |
| 23152                         | 10.24          | 11 <sup>1</sup> / <sub>2</sub> | 9 <sup>15</sup> / <sub>16</sub> | PLB23152    | 10 <sup>1</sup> / <sub>4</sub>   | 29                                 | 30 <sup>1</sup> / <sub>2</sub>     | 8 <sup>3</sup> / <sub>4</sub>  | 35                             | 14 <sup>1</sup> / <sub>2</sub> | 1 <sup>5</sup> / <sub>8</sub> | 3 <sup>3</sup> / <sub>4</sub> | 20 <sup>1</sup> / <sub>2</sub> | 985.00         |
| 23156                         | 11.02          | 12 <sup>1</sup> / <sub>2</sub> | 10 <sup>3</sup> / <sub>4</sub>  | PLB23156    | 12                               | 32 <sup>3</sup> / <sub>4</sub>     | 33 <sup>1</sup> / <sub>2</sub>     | 9                              | 38 <sup>1</sup> / <sub>4</sub> | 14 <sup>3</sup> / <sub>4</sub> | 1 <sup>5</sup> / <sub>8</sub> | 3 <sup>1</sup> / <sub>2</sub> | 24                             | 1,206.00       |
| 23160                         | 11.81          | 13                             | 11 <sup>1</sup> / <sub>2</sub>  | PLB23160    | 12                               | 32 <sup>3</sup> / <sub>4</sub>     | 33 <sup>1</sup> / <sub>2</sub>     | 9                              | 38 <sup>1</sup> / <sub>4</sub> | 15 <sup>1</sup> / <sub>8</sub> | 1 <sup>5</sup> / <sub>8</sub> | 3 <sup>1</sup> / <sub>2</sub> | 24                             | 1,305.00       |
| 23164                         | 12.60          | 14                             | 12 <sup>1</sup> / <sub>4</sub>  | PLB23164    | 12 <sup>13</sup> / <sub>16</sub> | 35                                 | 36 <sup>1</sup> / <sub>2</sub>     | 10 <sup>1</sup> / <sub>2</sub> | 41 <sup>3</sup> / <sub>4</sub> | 15 <sup>3</sup> / <sub>4</sub> | 1 <sup>7</sup> / <sub>8</sub> | 4 <sup>1</sup> / <sub>2</sub> | 26                             | 1,504.00       |
| 23168                         | 13.39          | 15                             | 13                              | PLB23168    | 14                               | 36 <sup>3</sup> / <sub>4</sub>     | 38 <sup>1</sup> / <sub>4</sub>     | 10 <sup>3</sup> / <sub>4</sub> | 43 <sup>3</sup> / <sub>4</sub> | 18 <sup>1</sup> / <sub>4</sub> | 2                             | 5                             | 28                             | 2,172.00       |
| 23172                         | 14.17          | 16                             | 13 <sup>3</sup> / <sub>4</sub>  | PLB23172    | 14 <sup>1</sup> / <sub>2</sub>   | 39 <sup>1</sup> / <sub>4</sub>     | 40 <sup>3</sup> / <sub>4</sub>     | 11                             | 46                             | 17 <sup>1</sup> / <sub>8</sub> | 2                             | 5                             | 28 <sup>3</sup> / <sub>4</sub> | 2,322.00       |
| 23176                         | 14.96          | 17                             | 14 <sup>1</sup> / <sub>2</sub>  | PLB23176    | 14 <sup>1</sup> / <sub>2</sub>   | 39 <sup>1</sup> / <sub>4</sub>     | 40 <sup>3</sup> / <sub>4</sub>     | 11                             | 46                             | 17 <sup>1</sup> / <sub>8</sub> | 2                             | 5                             | 28 <sup>3</sup> / <sub>4</sub> | 2,348.00       |
| 23180                         | 15.75          | 17 <sup>1</sup> / <sub>2</sub> | 15 <sup>1</sup> / <sub>4</sub>  | PLB23180    | 15 <sup>1</sup> / <sub>2</sub>   | 41 <sup>1</sup> / <sub>2</sub>     | 43 <sup>1</sup> / <sub>2</sub>     | 12 <sup>1</sup> / <sub>4</sub> | 48 <sup>3</sup> / <sub>4</sub> | 18 <sup>3</sup> / <sub>4</sub> | 2 <sup>1</sup> / <sub>4</sub> | 5 <sup>1</sup> / <sub>2</sub> | 31                             | 2,979.00       |
| 23184                         | 16.54          | 18 <sup>1</sup> / <sub>2</sub> | 15 <sup>3</sup> / <sub>4</sub>  | PLB23184    | 17                               | 44 <sup>1</sup> / <sub>2</sub>     | 46 <sup>5</sup> / <sub>8</sub>     | 14 <sup>1</sup> / <sub>2</sub> | 52 <sup>3</sup> / <sub>4</sub> | 22 <sup>1</sup> / <sub>4</sub> | 2 <sup>1</sup> / <sub>4</sub> | 5 <sup>1</sup> / <sub>2</sub> | 34                             | 3,894.00       |
| 23188                         | 17.32          | 19 <sup>1</sup> / <sub>2</sub> | 17                              | PLB23188    | 17                               | 44 <sup>1</sup> / <sub>2</sub>     | 46 <sup>5</sup> / <sub>8</sub>     | 14 <sup>1</sup> / <sub>2</sub> | 52 <sup>3</sup> / <sub>4</sub> | 22 <sup>1</sup> / <sub>4</sub> | 2 <sup>1</sup> / <sub>4</sub> | 5 <sup>1</sup> / <sub>2</sub> | 34                             | 3,852.00       |
| 23192                         | 18.11          | 20                             | 17 <sup>3</sup> / <sub>4</sub>  | PLB23192    | 18                               | 47 <sup>1</sup> / <sub>8</sub>     | 48 <sup>7</sup> / <sub>8</sub>     | 15                             | 54 <sup>1</sup> / <sub>4</sub> | 21 <sup>5</sup> / <sub>8</sub> | 2 <sup>1</sup> / <sub>2</sub> | 5 <sup>3</sup> / <sub>4</sub> | 35 <sup>3</sup> / <sub>4</sub> | 4,391.00       |
| 23196                         | 18.90          | 21                             | 18 <sup>1</sup> / <sub>2</sub>  | PLB23196    | 18                               | 47 <sup>1</sup> / <sub>8</sub>     | 48 <sup>7</sup> / <sub>8</sub>     | 15                             | 54 <sup>1</sup> / <sub>4</sub> | 21 <sup>5</sup> / <sub>8</sub> | 2 <sup>1</sup> / <sub>2</sub> | 5 <sup>3</sup> / <sub>4</sub> | 35 <sup>3</sup> / <sub>4</sub> | 4,506.00       |
| 231530                        | 20.87          | -                              | -                               | PLB231530   | 20                               | 52 <sup>1</sup> / <sub>2</sub>     | 54                                 | 16                             | 60                             | 22                             | 3                             | 6                             | 40                             | 6,002.00       |
| 231560                        | 22.05          | -                              | -                               | PLB231560   | 20                               | 52 <sup>1</sup> / <sub>2</sub>     | 54                                 | 16                             | 60                             | 22                             | 3                             | 6                             | 40                             | 5,881.00       |

## Additional Notes

- Please Call 1-866-REXNORD for availability
- Lubrication Fitting Tap Size, 1/4 in PT
- Expansion is 3/8 in for all shaft sizes
- Multi-labyrinth seals standard
- For the Selection Guide, Load Ratings and Speed Limits, see the Link-Belt Split Spherical Roller Bearings Engineering section
- Note: Dimensions subject to change. Certified dimensions of ordered material furnished on request.

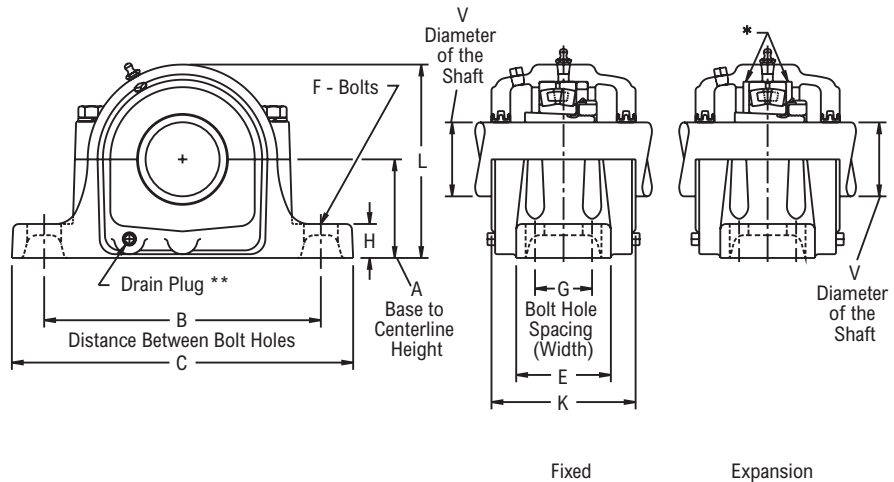
# PLB23200K



Photo Shows a 2-Bolt Spherical Roller Bearing Two-Piece Pillow Block Unit

### Product Features

- Corrosion-resistant powder coating
- Two piece cast iron housing
- Broad range of sealing options
- Fixed or Expansion - up to 3/8 in expansion
- Matched base & cap
- Large reservoir for grease or oil storage
- Tapered adapter mounted
- See Features & Benefits for additional info.



### Bearing Dimensions

| Size Code                     | Shaft Diameter | Part Number     | A Base to Centerline Height | B Min. Distance Between Bolt Holes | B Max. Distance Between Bolt Holes | G Bolt Hole Spacing (Width) | C      | E      | F Bolts | H     | L      | Approx. Weight |
|-------------------------------|----------------|-----------------|-----------------------------|------------------------------------|------------------------------------|-----------------------------|--------|--------|---------|-------|--------|----------------|
| <b>Four-Bolt Pillow Block</b> |                |                 |                             |                                    |                                    |                             |        |        |         |       |        |                |
| 23244                         | 8              | PLB23244K8      | 9 1/2                       | 24 3/4                             | 27 7/8                             | 5 1/4                       | 32 3/4 | 8 3/4  | 1 1/2   | 3 3/4 | 18 5/8 | 712.00         |
| 23248                         | 8 15/16        | PLB23248K81516  | 10 1/4                      | 29                                 | 30 1/2                             | 8 3/4                       | 35     | 14 1/2 | 1 5/8   | 3 3/4 | 20 1/2 | 1,080.00       |
| 23252                         | 9 7/16         | PLB23252K9716   | 12                          | 32 3/4                             | 33 1/2                             | 9                           | 38 1/4 | 15 1/8 | 1 5/8   | 3 1/2 | 24     | 1,301.00       |
| 23256                         | 10 7/16        | PLB23256K10716  | 12                          | 32 3/4                             | 33 1/2                             | 9                           | 38 1/4 | 15 1/8 | 1 5/8   | 3 1/2 | 24     | 1,400.00       |
| 23260                         | 10 15/16       | PLB23260K101516 | 12 13/16                    | 35                                 | 36 1/2                             | 10 1/2                      | 41 3/4 | 15 3/4 | 1 7/8   | 4 1/2 | 26     | 1,822.00       |
| 23264                         | 11 15/16       | PLB23264K111516 | 14                          | 36 3/4                             | 38 1/4                             | 10 3/4                      | 43 3/4 | 18 1/4 | 2       | 5     | 28     | 2,173.00       |
| 23268                         | 12 7/16        | PLB23268K12716  | 14 1/2                      | 39 1/4                             | 40 3/4                             | 11                          | 46     | 17 1/8 | 2       | 5     | 28 3/4 | 2,582.00       |
| 23272                         | 13 7/16        | PLB23272K13716  | 15 1/2                      | 41 1/2                             | 43 1/2                             | 12 1/4                      | 48 3/4 | 18 3/4 | 2 1/4   | 5 1/2 | 31     | 3,278.00       |
| 23276                         | 13 15/16       | PLB23276K131516 | 15 1/2                      | 41 1/2                             | 43 1/2                             | 12 1/4                      | 48 3/4 | 18 3/4 | 2 1/4   | 5 1/2 | 31     | 3,245.00       |
| 23280                         | 15             | PLB23280K15     | 17                          | 44 1/2                             | 46 5/8                             | 14 1/2                      | 52 3/4 | 22 1/4 | 2 1/4   | 5 1/2 | 34     | 4,297.00       |
| 23284                         | 15 3/4         | PLB23284K1534   | 18                          | 47 1/8                             | 48 7/8                             | 15                          | 54 1/4 | 21 5/8 | 2 1/2   | 5 3/4 | 35 3/4 | 4,800.00       |
| 23288                         | 16 1/2         | PLB23288K1612   | 18                          | 47 1/8                             | 48 7/8                             | 15                          | 54 1/4 | 21 5/8 | 2 1/2   | 5 3/4 | 35 3/4 | 4,798.00       |
| 23292                         | 17             | PLB23292K17     | 18                          | 47 1/8                             | 48 7/8                             | 15                          | 54 1/4 | 21 5/8 | 2 1/2   | 5 3/4 | 35 3/4 | 4,461.00       |
| 23296                         | 18             | PLB23296K18     | 20                          | 52 1/2                             | 54                                 | 16                          | 60     | 22     | 3       | 6     | 40     | 6,362.00       |

### Additional Notes

- Please Call 1-866-REXNORD for availability
- Lubrication Fitting Tap Size, 1/4 in PT
- Expansion is 3/8 in for all shaft sizes
- Multi-labyrinth seals standard
- For the Selection Guide, Load Ratings and Speed Limits, see the Link-Belt Split Spherical Roller Bearings Engineering section
- Note: Dimensions subject to change. Certified dimensions of ordered material furnished on request.

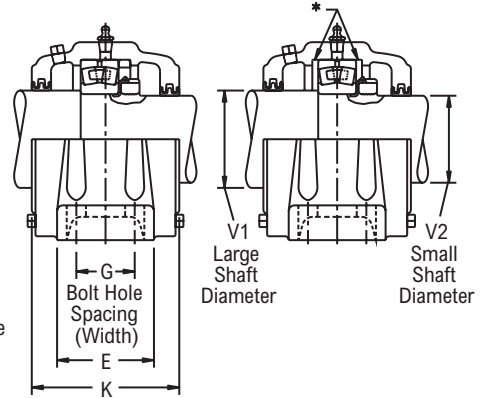
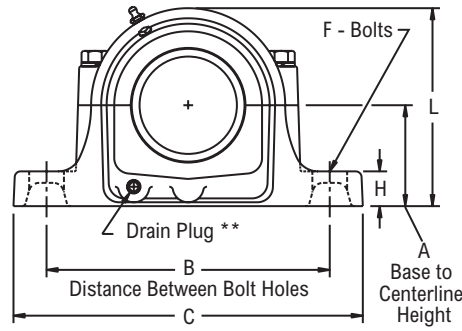
# PLB23200



Photo Shows a 2-Bolt Spherical Roller Bearing Two-Piece Pillow Block Unit

## Product Features

- Corrosion-resistant powder coating
- Two piece cast iron housing
- Fixed or Expansion - up to 3/8 in expansion
- Matched base & cap
- Large reservoir for grease or oil storage
- Direct shaft mounted
- See Features & Benefits for additional info.



Fixed

Expansion

## Bearing Dimensions

| Size Code                     | Shaft Diameter | V1 Large Shaft Diameter        | V2 Small Shaft Diameter         | Part Number | A Base to Centerline Height      | B Min. Distance Between Bolt Holes | B Max. Distance Between Bolt Holes | G Bolt Hole Spacing (Width)    | C                              | E                              | F Bolts                       | H                             | L                              | Approx. Weight |
|-------------------------------|----------------|--------------------------------|---------------------------------|-------------|----------------------------------|------------------------------------|------------------------------------|--------------------------------|--------------------------------|--------------------------------|-------------------------------|-------------------------------|--------------------------------|----------------|
| <b>Four-Bolt Pillow Block</b> |                |                                |                                 |             |                                  |                                    |                                    |                                |                                |                                |                               |                               |                                |                |
| 23244                         | 8.66           | 9 <sup>9</sup> / <sub>16</sub> | 8 <sup>5</sup> / <sub>16</sub>  | PLB23244    | 9 <sup>1</sup> / <sub>2</sub>    | 24 <sup>3</sup> / <sub>4</sub>     | 27 <sup>7</sup> / <sub>8</sub>     | 5 <sup>1</sup> / <sub>4</sub>  | 32 <sup>3</sup> / <sub>4</sub> | 8 <sup>3</sup> / <sub>4</sub>  | 1 <sup>1</sup> / <sub>2</sub> | 3 <sup>3</sup> / <sub>4</sub> | 18 <sup>5</sup> / <sub>8</sub> | 661.00         |
| 23248                         | 9.45           | 10 <sup>1</sup> / <sub>2</sub> | 9 <sup>3</sup> / <sub>16</sub>  | PLB23248    | 10 <sup>1</sup> / <sub>4</sub>   | 29                                 | 30 <sup>1</sup> / <sub>2</sub>     | 8 <sup>3</sup> / <sub>4</sub>  | 35                             | 14 <sup>1</sup> / <sub>2</sub> | 1 <sup>5</sup> / <sub>8</sub> | 3 <sup>3</sup> / <sub>4</sub> | 20 <sup>1</sup> / <sub>2</sub> | 1,032.00       |
| 23252                         | 10.24          | 11 <sup>1</sup> / <sub>2</sub> | 9 <sup>15</sup> / <sub>16</sub> | PLB23252    | 12                               | 32 <sup>3</sup> / <sub>4</sub>     | 33 <sup>1</sup> / <sub>2</sub>     | 9                              | 38 <sup>1</sup> / <sub>4</sub> | 15 <sup>1</sup> / <sub>8</sub> | 1 <sup>5</sup> / <sub>8</sub> | 3 <sup>1</sup> / <sub>2</sub> | 24                             | 1,247.00       |
| 23256                         | 11.02          | 12 <sup>1</sup> / <sub>2</sub> | 10 <sup>3</sup> / <sub>4</sub>  | PLB23256    | 12                               | 32 <sup>3</sup> / <sub>4</sub>     | 33 <sup>1</sup> / <sub>2</sub>     | 9                              | 38 <sup>1</sup> / <sub>4</sub> | 15 <sup>1</sup> / <sub>8</sub> | 1 <sup>5</sup> / <sub>8</sub> | 3 <sup>1</sup> / <sub>2</sub> | 24                             | 1,400.00       |
| 23260                         | 11.81          | 13                             | 11 <sup>1</sup> / <sub>2</sub>  | PLB23260    | 12 <sup>13</sup> / <sub>16</sub> | 35                                 | 36 <sup>1</sup> / <sub>2</sub>     | 10 <sup>1</sup> / <sub>2</sub> | 41 <sup>3</sup> / <sub>4</sub> | 15 <sup>3</sup> / <sub>4</sub> | 1 <sup>7</sup> / <sub>8</sub> | 4 <sup>1</sup> / <sub>2</sub> | 26                             | 1,754.00       |
| 23264                         | 12.60          | 14                             | 12 <sup>1</sup> / <sub>4</sub>  | PLB23264    | 14                               | 36 <sup>3</sup> / <sub>4</sub>     | 38 <sup>1</sup> / <sub>4</sub>     | 10 <sup>3</sup> / <sub>4</sub> | 43 <sup>3</sup> / <sub>4</sub> | 18 <sup>1</sup> / <sub>4</sub> | 2                             | 5                             | 28                             | 2,243.00       |
| 23268                         | 13.39          | 15                             | 13                              | PLB23268    | 14 <sup>1</sup> / <sub>2</sub>   | 39 <sup>1</sup> / <sub>4</sub>     | 40 <sup>3</sup> / <sub>4</sub>     | 11                             | 46                             | 17 <sup>1</sup> / <sub>8</sub> | 2                             | 5                             | 28 <sup>3</sup> / <sub>4</sub> | 2,492.00       |
| 23272                         | 14.17          | 16                             | 13 <sup>3</sup> / <sub>4</sub>  | PLB23272    | 15 <sup>1</sup> / <sub>2</sub>   | 41 <sup>1</sup> / <sub>2</sub>     | 43 <sup>1</sup> / <sub>2</sub>     | 12 <sup>1</sup> / <sub>4</sub> | 48 <sup>3</sup> / <sub>4</sub> | 18 <sup>3</sup> / <sub>4</sub> | 2 <sup>1</sup> / <sub>4</sub> | 5 <sup>1</sup> / <sub>2</sub> | 31                             | 3,143.00       |
| 23276                         | 14.96          | 17                             | 14 <sup>1</sup> / <sub>2</sub>  | PLB23276    | 15 <sup>1</sup> / <sub>2</sub>   | 41 <sup>1</sup> / <sub>2</sub>     | 43 <sup>1</sup> / <sub>2</sub>     | 12 <sup>1</sup> / <sub>4</sub> | 48 <sup>3</sup> / <sub>4</sub> | 18 <sup>3</sup> / <sub>4</sub> | 2 <sup>1</sup> / <sub>4</sub> | 5 <sup>1</sup> / <sub>2</sub> | 31                             | 3,100.00       |
| 23280                         | 15.75          | 17 <sup>1</sup> / <sub>2</sub> | 15 <sup>1</sup> / <sub>4</sub>  | PLB23280    | 17                               | 44 <sup>1</sup> / <sub>2</sub>     | 46 <sup>5</sup> / <sub>8</sub>     | 14 <sup>1</sup> / <sub>2</sub> | 52 <sup>3</sup> / <sub>4</sub> | 22 <sup>1</sup> / <sub>4</sub> | 2 <sup>1</sup> / <sub>4</sub> | 5 <sup>1</sup> / <sub>2</sub> | 34                             | 4,132.00       |
| 23284                         | 16.54          | 18 <sup>1</sup> / <sub>2</sub> | 15 <sup>3</sup> / <sub>4</sub>  | PLB23284    | 18                               | 47 <sup>1</sup> / <sub>8</sub>     | 48 <sup>7</sup> / <sub>8</sub>     | 15                             | 54 <sup>1</sup> / <sub>4</sub> | 21 <sup>5</sup> / <sub>8</sub> | 2 <sup>1</sup> / <sub>2</sub> | 5 <sup>3</sup> / <sub>4</sub> | 35 <sup>3</sup> / <sub>4</sub> | 4,636.00       |
| 23288                         | 17.32          | 19 <sup>1</sup> / <sub>2</sub> | 17                              | PLB23288    | 18                               | 47 <sup>1</sup> / <sub>8</sub>     | 48 <sup>7</sup> / <sub>8</sub>     | 15                             | 54 <sup>1</sup> / <sub>4</sub> | 21 <sup>5</sup> / <sub>8</sub> | 2 <sup>1</sup> / <sub>2</sub> | 5 <sup>3</sup> / <sub>4</sub> | 35 <sup>3</sup> / <sub>4</sub> | 4,608.00       |
| 23292                         | 18.11          | 20                             | 17 <sup>3</sup> / <sub>4</sub>  | PLB23292    | 18                               | 47 <sup>1</sup> / <sub>8</sub>     | 48 <sup>7</sup> / <sub>8</sub>     | 15                             | 54 <sup>1</sup> / <sub>4</sub> | 21 <sup>5</sup> / <sub>8</sub> | 2 <sup>1</sup> / <sub>2</sub> | 5 <sup>3</sup> / <sub>4</sub> | 35 <sup>3</sup> / <sub>4</sub> | 4,461.00       |
| 23296                         | 18.90          | 21                             | 18 <sup>1</sup> / <sub>2</sub>  | PLB23296    | 20                               | 52 <sup>1</sup> / <sub>2</sub>     | 54                                 | 16                             | 60                             | 22                             | 3                             | 6                             | 40                             | 6,362.00       |

## Additional Notes

- Please Call 1-866-REXNORD for availability
- Lubrication Fitting Tap Size, 1/4 in PT
- Expansion is 3/8 in for all shaft sizes
- Multi-labyrinth seals standard
- For the Selection Guide, Load Ratings and Speed Limits, see the Link-Belt Split Spherical Roller Bearings Engineering section
- Note: Dimensions subject to change. Certified dimensions of ordered material furnished on request.

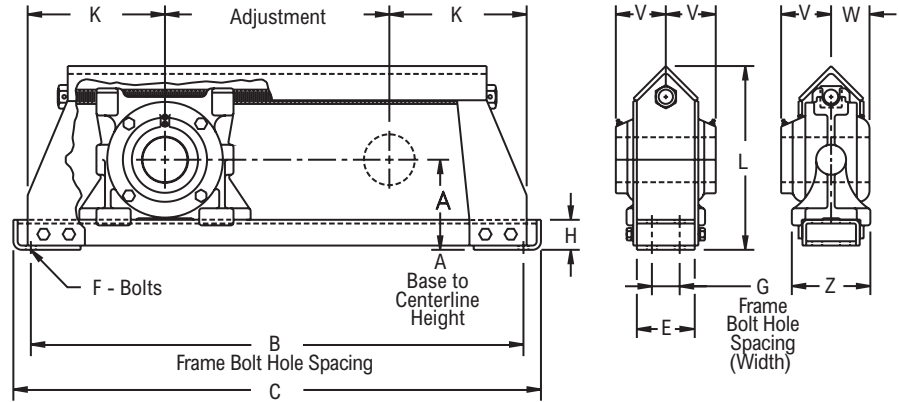


# DSL6800



Photo Shows a Hinged Top, Welded Steel Conveyor Take-Up Frame with Spherical Roller Bearing Take-Up Unit

- Protected screw type frame
- Corrosion-resistant powder coating
- Cast iron housing
- Independently flushable D8 seals
- Tapered adapter mounted
- See Features & Benefits for additional info.



## Bearing Dimensions

| Size Code | Shaft Diameter | Adjust. | Part Number | A Base to Centerline Height | B Frame Bolt Hole Spacing | G Frame Bolt Hole Spacing (Width) | C      | E     | F     | H     | K        | L        | V       | W       | Z     | Approx. Weight |
|-----------|----------------|---------|-------------|-----------------------------|---------------------------|-----------------------------------|--------|-------|-------|-------|----------|----------|---------|---------|-------|----------------|
| 22215     | 2 7/16         | 12      | DSL683912   | 5 1/8                       | 30 1/2                    | 2                                 | 32 1/2 | 4     | 5/8   | 2     | 9 1/4    | 10 7/8   | 3 15/32 | 2 19/32 | 5 5/8 | 94.00          |
|           |                | 18      | DSL683918   |                             | 36 1/2                    |                                   | 38 1/2 |       |       |       |          |          |         |         |       | 103.00         |
|           |                | 24      | DSL683924   |                             | 42 1/2                    |                                   | 44 1/2 |       |       |       |          |          |         |         |       | 111.00         |
|           |                | 30      | DSL683930   |                             | 48 1/2                    |                                   | 50 1/2 |       |       |       |          |          |         |         |       | 119.00         |
| 22217     | 2 15/16        | 12      | DSL684712   | 5 5/8                       | 32                        | 2                                 | 34 1/4 | 4     | 3/4   | 2     | 10       | 11 13/16 | 3 1/2   | 2 5/8   | 5 5/8 | 120.00         |
|           |                | 18      | DSL684718   |                             | 38                        |                                   | 40 1/4 |       |       |       |          |          |         |         |       | 130.00         |
|           |                | 24      | DSL684724   |                             | 44                        |                                   | 46 1/4 |       |       |       |          |          |         |         |       | 145.00         |
|           |                | 30      | DSL684730   |                             | 50                        |                                   | 52 1/4 |       |       |       |          |          |         |         |       | 155.00         |
| 22220     | 3 7/16         | 12      | DSL685512   | 7                           | 36                        | 2 1/2                             | 38 1/2 | 5     | 3/4   | 2 1/4 | 12       | 14 11/16 | 4 1/8   | 3 1/4   | 6 7/8 | 206.00         |
|           |                | 18      | DSL685518   |                             | 42                        |                                   | 44 1/2 |       |       |       |          |          |         |         |       | 218.00         |
|           |                | 24      | DSL685524   |                             | 48                        |                                   | 50 1/2 |       |       |       |          |          |         |         |       | 230.00         |
|           |                | 30      | DSL685530   |                             | 54                        |                                   | 56 1/2 |       |       |       |          |          |         |         |       | 242.00         |
| 22222     | 3 15/16        | 12      | DSL686312   | 7 1/2                       | 36                        | 2 1/2                             | 38 1/2 | 5     | 3/4   | 2 1/4 | 12       | 15 11/16 | 4 3/8   | 3 1/2   | 6 7/8 | 255.00         |
|           |                | 18      | DSL686318   |                             | 42                        |                                   | 44 1/2 |       |       |       |          |          |         |         |       | 270.00         |
|           |                | 24      | DSL686324   |                             | 48                        |                                   | 50 1/2 |       |       |       |          |          |         |         |       | 285.00         |
|           |                | 30      | DSL686330   |                             | 54                        |                                   | 56 1/2 |       |       |       |          |          |         |         |       | 300.00         |
| 22226     | 4 7/16         | 18      | DSL687118   | 10                          | 47                        | 3                                 | 50 1/2 | 6     | 7/8   | 4     | 14 1/2   | 20 1/4   | 4 7/8   | 3 3/4   | 7 7/8 | 414.00         |
|           |                | 24      | DSL687124   |                             | 53                        |                                   | 56 1/2 |       |       |       |          |          |         |         |       | 432.00         |
|           |                | 30      | DSL687130   |                             | 59                        |                                   | 62 1/2 |       |       |       |          |          |         |         |       | 450.00         |
| 22228     | 4 15/16        | 18      | DSL687918   | 10 1/2                      | 49                        | 3                                 | 52 1/2 | 6     | 1     | 4     | 15 1/2   | 21 1/8   | 4 3/4   | 3 27/32 | 7 7/8 | 475.00         |
|           |                | 24      | DSL687924   |                             | 55                        |                                   | 58 1/2 |       |       |       |          |          |         |         |       | 494.00         |
|           |                | 30      | DSL687930   |                             | 61                        |                                   | 64 1/2 |       |       |       |          |          |         |         |       | 515.00         |
| 22234     | 5 15/16        | 18      | DSL689518   | 12 1/8                      | 55 7/8                    | 3 3/4                             | 60 1/4 | 7 1/2 | 1 1/4 | 4     | 18 15/16 | 25 1/2   | 5 33/64 | 4 1/2   | 9 7/8 | 708.00         |
|           |                | 24      | DSL689524   |                             | 61 7/8                    |                                   | 66 1/4 |       |       |       |          |          |         |         |       | 726.00         |
|           |                | 30      | DSL689530   |                             | 67 7/8                    |                                   | 72 1/4 |       |       |       |          |          |         |         |       | 746.00         |
|           |                | 42      | DSL689542   |                             | 79 7/8                    |                                   | 84 1/4 |       |       |       |          |          |         |         |       | 784.00         |

## Additional Notes

- Please call 1-866-REXNORD for availability
- Expansion - is 3/8 in for all shaft sizes
- For shaft sizes 2 7/16 in thru 2 15/16 in, frame has removable top construction
- Frames with adjustment of 18" or more have center supporting pad welded to bottom of frame
- Taconite seals standard
- For the Selection Guide, Load Ratings and Speed Limits, see the Link-Belt Split Spherical Roller Bearings Engineering section

Note: Dimensions subject to change. Certified dimensions of ordered material furnished on request.





# PLB6600, PLB6800, PLB66M00, PLB68M00 Spherical Roller Bearing Unit Replacement Parts



## Bearing Dimensions

| Shaft Diameter | Pillow Block | Spherical Roller Bearing | Labyrinth Seal | Adapter Assembly | C-Spacer Ring | End Closure | 2-Bolt Cast Iron Adapter Housing | 4-Bolt Cast Iron Adapter Housing |
|----------------|--------------|--------------------------|----------------|------------------|---------------|-------------|----------------------------------|----------------------------------|
|                | Part Number  | Part Number              | Part Number    | Part Number      | Part Number   | Part Number | Part Number                      | Part Number                      |
| 1 7/16         | PLB6823R     | 22209LBKC3               | LB69233R       | H309023          | 68244         | LB69246R    | PLB6823R02                       | -                                |
| 1 1/2          | PLB6824R     | 22209LBKC3               | LB69243R       | H309024          | 68244         | LB69246R    | PLB6824R02                       | -                                |
| 1 11/16        | PLB6827R     | 22210LBKC3               | LB69273R       | H310027          | 68284         | LB69286R    | PLB6827R02                       | -                                |
| 1 3/4          | PLB6828R     | 22210LBKC3               | LB69283R       | H310028          | 68284         | LB69286R    | PLB6828R02                       | -                                |
| 1 15/16        | PLB6831R     | 22211LBKC3               | LB69313RA      | H311031          | 69244         | LB69326R    | PLB6831R02                       | -                                |
| 2              | PLB6832R     | 22211LBKC3               | LB69323R       | H311032          | 69244         | LB69326R    | PLB6832R02                       | -                                |
| 2 3/16         | PLB6835R     | 22213LBKC3               | LB69353RA      | H313035          | 69324         | LB69366R    | PLB6835R02                       | -                                |
| 2 7/16         | PLB6839R*    | 22215LBKC3               | LB68393RA      | H315039          | 68404         | LB68406R    | PLB6839R02                       | -                                |
| 2 11/16        | PLB6843R*    | 22216LBKC3               | LB68433RA      | H316043          | 68444         | LB68446R    | PLB6843R02                       | -                                |
| 2 15/16        | PLB6847R*    | 22217LBKC3               | LB68473RA      | H317047          | 68484         | LB68486R    | PLB6847R02                       | -                                |
| 3              | PLB6848R*    | 22217LBKC3               | LB68483R       | H317048          | 68484         | LB68486R    | PLB6848R02                       | -                                |
| 3 3/16         | PLB6851R*    | 22218LBKC3               | LB68513R       | H318051          | 68524         | LB68526R    | PLB6851R02                       | -                                |
| 3 7/16         | PLB6855R*    | 22220LBKC3               | LB68553RA      | H320055          | 68564         | LB68566R    | PLB6855R02                       | -                                |
| 3 1/2          | PLB6856R*    | 22220LBKC3               | LB68563R       | H320056          | 68564         | LB68566R    | PLB6856R02                       | -                                |
| 3 11/16        | PLB6859FR    | 22222LBKC3               | LB68593R       | H322059          | 68644         | LB68646R    | -                                | PLB6859FR02                      |
| 3 15/16        | PLB6863FR    | 22222LBKC3               | LB68633RA      | H322063          | 68644         | LB68646R    | -                                | PLB6863FR02                      |
| 4              | PLB6864FR    | 22222LBKC3               | LB68643R       | H322064          | 68644         | LB68646R    | -                                | PLB6864FR02                      |
| 4 3/16         | PLB6867FR    | 22224LBKC3               | LB68673R       | H3124067         | 68684         | LB68686R    | -                                | PLB6867FR02                      |
| 4 7/16         | PLB6871FR    | 22226LBKC3               | LB68713RA      | H3126071         | 68724         | LB68726R    | -                                | PLB6871FR02                      |
| 4 1/2          | PLB6872FR    | 22226LBKC3               | LB68723R       | H3126072         | 68724         | LB68726R    | -                                | PLB6872FR02                      |
| 4 15/16        | PLB6879FR    | 22228LBKC3               | LB68793R       | H3128079         | 68804         | LB68806R    | -                                | PLB6879FR02                      |
| 5              | PLB6880FR    | 22228LBKC3               | LB68803R       | H3128080         | 68804         | LB68806R    | -                                | PLB6880FR02                      |
| 5 3/16         | PLB6883FR    | 22230LBKC3               | LB68833R       | H3130083         | 68844         | LB68846R    | -                                | PLB6883FR02                      |
| 5 7/16         | PLB6887FR    | 22232LBKC3               | LB68873R       | H3132087         | 68924         | LB68886R    | -                                | PLB6887FR02                      |
| 5 15/16        | PLB6895FR    | 22234LBKC3               | LB68953R       | H3134095         | 68964         | LB68966R    | -                                | PLB6895FR02                      |
| 6              | PLB6896FR    | 22234LBKC3               | LB68963R       | H3134096         | 68964         | LB68966R    | -                                | PLB6896FR02                      |
| 6 7/16         | PLB68103FR   | 22236LBKC3               | LB681033R      | H3136103         | 681044        | LB681046R   | -                                | PLB68103FR02                     |
| 6 1/2          | PLB68104FR   | 22236LBKC3               | LB681043R      | H3136104         | 681044        | LB681046R   | -                                | PLB68104FR02                     |
| 6 15/16        | PLB68111FR   | 22238LBKC3               | LB681113R      | H3138111         | 681124        | LB681126R   | -                                | PLB68111FR02                     |
| 7              | PLB68112FR   | 22238LBKC3               | LB681123R      | H3138112         | 681124        | LB681126R   | -                                | PLB68112FR02                     |
| 7 3/16         | PLB68115FR   | 22240LBKC3               | LB681153R      | H3140115         | 681164        | LB681166R   | -                                | PLB68115FR02                     |
| 7 1/2          | PLB68120FR   | 22244LBKC3               | LB681203R      | H3144120         | 681284        | LB681286R   | -                                | PLB68120FR02                     |
| 7 15/16        | PLB68127FR   | 22244LBKC3               | LB681273R      | H3144127         | 681284        | LB681286R   | -                                | PLB68127FR02                     |
| 8              | PLB68128FR   | 22244LBKC3               | LB681283R      | SNW448           | 681284        | LB681286R   | -                                | PLB68128FR02                     |

Continued...

Continued...

**Bearing Dimensions**

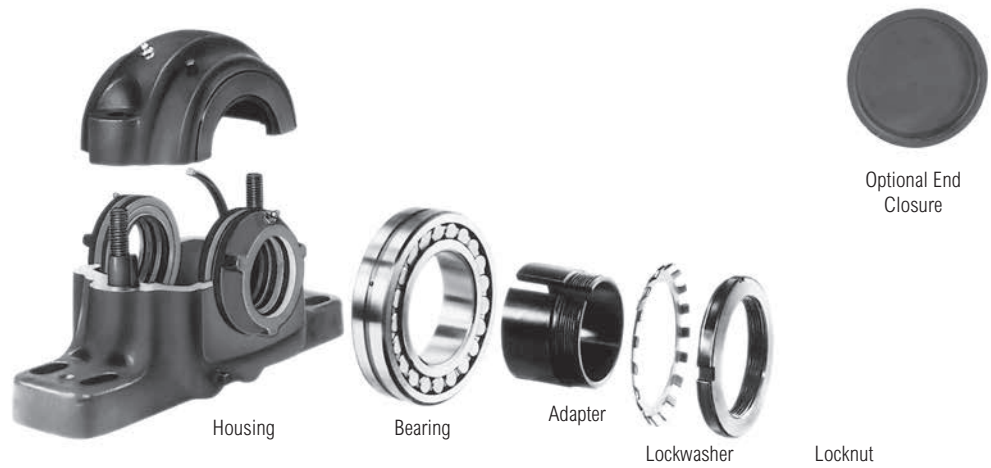
| Shaft Diameter     | Pillow Block | Spherical Roller Bearing | Labyrinth Seal | Adapter Assembly | C-Spacer Ring | End Closure | 2-Bolt Cast Iron Adapter Housing | 4-Bolt Cast Iron Adapter Housing |
|--------------------|--------------|--------------------------|----------------|------------------|---------------|-------------|----------------------------------|----------------------------------|
|                    | Part Number  | Part Number              | Part Number    | Part Number      | Part Number   | Part Number | Part Number                      | Part Number                      |
| 8 <sup>7/16</sup>  | PLB66135FH   | 23048LBKC3               | LB661353H      | SNP30488716      | 661444        | LB661446    | -                                | PLB66135FH02                     |
| 8 <sup>1/2</sup>   | PLB66136FH   | 23048LBKC3               | LB661363H      | SNP3048812       | 661444        | LB661446    | -                                | PLB66136FH02                     |
| 9                  | PLB66144FH   | 23048LBKC3               | LB661443H      | SNP30489         | 661444        | LB661446    | -                                | PLB66144FH02                     |
| 9 <sup>7/16</sup>  | PLB66B151FH  | 23056LBKC3               | LB66B1513H     | SNP30569716      | 661684        | LB661686    | -                                | PLB66B151FH02                    |
| 9 <sup>1/2</sup>   | PLB66B152FH  | 23056LBKC3               | LB66B1523H     | SNP3056912       | 661684        | LB661686    | -                                | PLB66B152FH02                    |
| 9 <sup>15/16</sup> | PLB66159FH   | 23056LBKC3               | LB661593H      | SNP305691516     | 661684        | LB661686    | -                                | PLB66159FH02                     |
| 10                 | PLB66160FH   | 23056LBKC3               | LB661603H      | SNP305610        | 661684        | LB661686    | -                                | PLB66160FH02                     |
| 10 <sup>7/16</sup> | PLB66167FH   | 23056LBKC3               | LB661673H      | SNP305610716     | 661684        | LB661686    | -                                | PLB66167FH02                     |
| 10 <sup>1/2</sup>  | PLB66168FH   | 23056LBKC3               | LB661683H      | SNP30561012      | 661684        | LB661686    | -                                | PLB66168FH02                     |
| 40.00              | PLB68M40R    | 22209LBKC3               | LB69M403R      | H309             | 68244         | LB69246R    | PLB68M40R02                      | -                                |
| 45.00              | PLB68M45R    | 22210LBKC3               | LB69M453R      | H310             | 68284         | LB69286R    | PLB68M45R02                      | -                                |
| 50.00              | PLB68M50R    | 22211LBKC3               | LB69M503R      | H311             | 69244         | LB69326R    | PLB68M50R02                      | -                                |
| 60.00              | PLB68M60R    | 22213LBKC3               | LB69M603R      | H313             | 69324         | LB69M606R   | PLB68M60R02                      | -                                |
| 65.00              | PLB68M65R*   | 22215LBKC3               | LB68M653R      | H315             | 68404         | LB68M656R   | PLB68M65R02                      | -                                |
| 70.00              | PLB68M70R*   | 22216LBKC3               | LB68M703R      | H316             | 68444         | LB68446R    | PLB68M70R02                      | -                                |
| 75.00              | PLB68M75R*   | 22217LBKC3               | LB68M753R      | H317             | 68484         | LB68486R    | PLB68M75R02                      | -                                |
| 80.00              | PLB68M80R*   | 22218LBKC3               | LB68M803R      | H318             | 68524         | LB68526R    | PLB68M80R02                      | -                                |
| 90.00              | PLB68M90R*   | 22220LBKC3               | LB68M903R      | H320             | 68564         | LB68566R    | PLB68M90R02                      | -                                |
| 100.00             | PLB68M100FR  | 22222LBKC3               | LB68633R       | H322             | 68644         | LB68646R    | -                                | PLB68M100FR02                    |
| 110.00             | PLB68M110FR  | 22224LBKC3               | LB68M1103R     | H3124            | 68684         | LB68686R    | -                                | PLB68M110FR02                    |
| 115.00             | PLB68M115FR  | 22226LBKC3               | LB68M1153R     | H3126            | 68724         | LB68726R    | -                                | PLB68M115FR02                    |
| 125.00             | PLB68M125FR  | 22228LBKC3               | LB68M1253R     | H3128            | 68804         | LB68806R    | -                                | PLB68M125FR02                    |
| 135.00             | PLB68M135FR  | 22230LBKC3               | LB68M1353R     | H3130            | 68844         | LB68846R    | -                                | PLB68M135FR02                    |
| 140.00             | PLB68M140FR  | 22232LBKC3               | LB68M1403R     | H3132            | 68924         | LB68886R    | -                                | PLB68M140FR02                    |
| 150.00             | PLB68M150FR  | 22234LBKC3               | LB68M1503R     | H3134            | 68964         | LB68966R    | -                                | PLB68M150FR02                    |
| 160.00             | PLB68M160FR  | 22236LBKC3               | LB68M1603R     | H3136            | 681044        | LB681046R   | -                                | PLB68M160FR02                    |
| 170.00             | PLB68M170FR  | 22238LBKC3               | LB68M1703R     | H3138            | 681124        | LB681126R   | -                                | PLB68M170FR02                    |
| 180.00             | PLB68M180FR  | 22240LBKC3               | LB68M1803R     | H3140            | 681164        | LB681166R   | -                                | PLB68M180FR02                    |
| 200.00             | PLB68M200FR  | 22244LBKC3               | LB68M2003R     | H3144            | 681284        | LB681286R   | -                                | PLB68M200FR02                    |
| 220.00             | PLB66M220FH  | 23048LBKC3               | LB66M2203H     | H3048            | 661444        | LB661446    | -                                | PLB66M220FH02                    |
| 260.00             | PLB66M260FH  | 23056LBKC3               | LB66M2603H     | H3056            | 661684        | LB661686    | -                                | PLB66M260FH02                    |

**Additional Notes**

\*2 - bolt base listed. For 4-bolt base add suffix F; i.e. PLB6839FR Pillow Block or PLB6839FR02 housing.

Housing part numbers listed above include seals and C-Spacer ring.

# PLB6600D8, PLB6800D8 Spherical Roller Bearing Unit Replacement Parts



## Bearing Dimensions

| Shaft Diameter | Pillow Block | Spherical Roller Bearing | D8 Seal     | Adapter Assembly | C-Spacer    | End Closure | 2-Bolt Cast Iron Adapter Mounted Housing | 4-Bolt Cast Iron Adapter Mounted Housing |
|----------------|--------------|--------------------------|-------------|------------------|-------------|-------------|--|--|
|                | Part Number  | Part Number              | Part Number | Part Number      | Part Number | Part Number | Part Number                              | Part Number                              |
| 1 7/16         | PLB6823D8    | 22209LBKC3               | LB6923D8    | H309023          | 68244       | LB6924D86   | PLB6823D802                              | -  |
| 1 1/2          | PLB6824D8    | 22209LBKC3               | LB6924D8    | H309024          | 68244       | LB6924D86   | PLB6824D802                              | -  |
| 1 11/16        | PLB6827D8    | 22210LBKC3               | LB6927D8    | H310027          | 68284       | LB6928D86   | PLB6827D802                              | -  |
| 1 15/16        | PLB6831D8    | 22211LBKC3               | LB6931D8    | H311031          | 69244       | LB6932D86   | PLB6831D802                              | -  |
| 2              | PLB6832D8    | 22211LBKC3               | LB6932D8    | H311032          | 69244       | LB6932D86   | PLB6832D802                              | -  |
| 2 3/16         | PLB6835D8    | 22213LBKC3               | LB6935D8    | H313035          | 69324       | LB6936D86   | PLB6835D802                              | -  |
| 2 7/16         | PLB6839D8*   | 22215LBKC3               | LB6839D8    | H315039          | 68404       | LB6840D86   | PLB6839D802                              | -  |
| 2 11/16        | PLB6843D8*   | 22216LBKC3               | LB6843D8    | H316043          | 68444       | LB6844D86   | PLB6843D802                              | -  |
| 2 15/16        | PLB6847D8*   | 22217LBKC3               | LB6847D8    | H317047          | 68484       | LB6848D86   | PLB6847D802                              | -  |
| 3              | PLB6848D8*   | 22217LBKC3               | LB6848D8    | H317048          | 68484       | LB6848D86   | PLB6848D802                              | -  |
| 3 3/16         | PLB6851D8*   | 22218LBKC3               | LB6851D8    | H318051          | 68524       | LB6852D86   | PLB6851D802                              | -  |
| 3 7/16         | PLB6855D8*   | 22220LBKC3               | LB6855D8    | H320055          | 68564       | LB6856D86   | PLB6855D802                              | -  |
| 3 11/16        | PLB6859FD8   | 22222LBKC3               | LB6859D8    | H322059          | 68644       | LB6868D86   | -  | PLB6859FD802                             |
| 3 15/16        | PLB6863FD8   | 22222LBKC3               | LB6863D8    | H322063          | 68644       | LB6868D86   | -  | PLB6863FD802                             |
| 4 3/16         | PLB6867FD8   | 22224LBKC3               | LB6867D8    | H3124067         | 68684       | LB6868D86   | -  | PLB6867FD802                             |
| 4 7/16         | PLB6871FD8   | 22226LBKC3               | LB6871D8    | H3126071         | 68724       | LB6880D86   | -  | PLB6871FD802                             |
| 4 15/16        | PLB6879FD8   | 22228LBKC3               | LB6879D8    | H3128079         | 68804       | LB6880D86   | -  | PLB6879FD802                             |
| 5 7/16         | PLB6887FD8   | 22232LBKC3               | LB6887D8    | H3132087         | 68924       | LB6888D86   | -  | PLB6887FD802                             |
| 5 15/16        | PLB6895FD8   | 22234LBKC3               | LB6895D8    | H3134095         | 68964       | LB68104D86  | -  | PLB6895FD802                             |
| 6              | PLB6896FD8   | 22234LBKC3               | LB6896D8    | H3134096         | 68964       | LB68104D86  | -  | PLB6896FD802                             |
| 6 7/16         | PLB68103FD8  | 22236LBKC3               | LB68103D8   | H3136103         | 681044      | LB68104D86  | -  | PLB68103FD802                            |
| 6 1/2          | PLB68104FD8  | 22236LBKC3               | LB68104D8   | H3136104         | 681044      | LB68104D86  | -  | PLB68104FD802                            |
| 6 15/16        | PLB68111FD8  | 22238LBKC3               | LB68111D8   | H3138111         | 681124      | LB68112D86  | -  | PLB68111FD802                            |
| 7              | PLB68112FD8  | 22238LBKC3               | LB68112D8   | H3138112         | 681124      | LB68112D86  | -  | PLB68112FD802                            |
| 7 1/2          | PLB68120FD8  | 22244LBKC3               | LB68120D8   | H3144120         | 681284      | LB68128D86  | -  | PLB68120FD802                            |
| 7 15/16        | PLB68127FD8  | 22244LBKC3               | LB68127D8   | H3144127         | 681284      | LB68128D86  | -  | PLB68127FD802                            |
| 8              | PLB68128FD8  | 22244LBKC3               | LB68128D8   | SNW448           | 681284      | LB68128D86  | -  | PLB68128FD802                            |
| 8 7/16         | PLB66135FD8  | 23048LBKC3               | LB66135D8   | SNP30488716      | 661444      | LB66144D86  | -  | PLB66135FD802                            |
| 8 1/2          | PLB66136FD8  | 23048LBKC3               | LB66136D8   | SNP3048812       | 661444      | LB66144D86  | -  | PLB66136FD802                            |
| 9              | PLB66144FD8  | 23048LBKC3               | LB66144D8   | SNP30489         | 661444      | LB66144D86  | -  | PLB66144FD802                            |
| 9 1/2          | PLB66B152FD8 | 23056LBKC3               | LB66152D8   | SNP3056912       | 661684      | LB66168D86  | -  | PLB66B152FD802                           |
| 10 1/2         | PLB66168FD8  | 23056LBKC3               | LB66168D8   | SNP30561012      | 661684      | LB66168D86  | -  | PLB66168FD802                            |

## Additional Notes

\*2 - bolt base listed. For 4-bolt base add suffix F; i.e. PLB6839FD8 Pillow Block or PLB6839FD802 housing.

Housing part numbers listed above include seals and C-Spacer ring.

## PLB6900, SAF22600 Spherical Roller Bearing Unit Replacement Parts



### Bearing Dimensions

| Shaft Diameter | Pillow Block   | Spherical Roller Bearing | Multi-Labyrinth Seal Type R | Adapter Assembly | C-Spacer    | End Closure | 2-Bolt Cast Iron Adapter Mounted Housing | 4-Bolt Cast Iron Adapter Mounted Housing |
|----------------|----------------|--------------------------|-----------------------------|------------------|-------------|-------------|--|--|
|                | Part Number    | Part Number              | Part Number                 | Part Number      | Part Number | Part Number | Part Number                              | Part Number                              |
| 1 7/16         | PLB6923R       | 22309LBKC3               | LB69233R                    | H2309023         | 69244       | LB69246R    | PLB6923R02                               | -  |
| 1 1/2          | PLB6924R       | 22309LBKC3               | LB69243R                    | SNW109112        | 69244       | LB69246R    | PLB6924R02                               | -  |
| 1 11/16        | PLB6927R       | 22310LBKC3               | LB69273R                    | H2310027         | 69284       | LB69286R    | PLB6927R02                               | -  |
| 1 15/16        | PLB6931R       | 22311LBKC3               | LB69313RA                   | SNW11111516      | 69324       | LB69326R    | PLB6931R02                               | -  |
| 2              | PLB6932R       | 22311LBKC3               | LB69323R                    | H2311032         | 69324       | LB69326R    | PLB6932R02                               | -  |
| 2 3/16         | PLB6935R*      | 22313LBKC3               | LB69353R                    | H2313035         | 68444       | LB69366R    | PLB6935R02                               | -  |
| 2 7/16         | PLB6939R*      | 22315LBKC3               | LB68393RA                   | H2315039         | 68524       | LB68406R    | PLB6839R02                               | -  |
| 2 1/2          | PLB6940R*      | 22315LBKC3               | LB68403R                    | SNW115212        | 68524       | LB68406R    | PLB6840R02                               | -  |
| 2 11/16        | PLB6943R*      | 22316LBKC3               | LB68433RA                   | H2316043         | 69444       | LB68446R    | PLB6843R02                               | -  |
| 2 15/16        | PLB6947R*      | 22317LBKC3               | LB69473K                    | H2317047         | 68564       | LB68486R    | PLB6847R02                               | -  |
| 3 3/16         | SAF22618303    | 22318LBKC3               | LB68513R                    | H2318051         | 68644       | LB68526R    | -  | SAF61830302                              |
| 3 7/16         | SAF22620307    | 22320LBKC3               | LB68553RA                   | H2320055         | 68684       | LB68566R    | -  | SAF62030702                              |
| 3 1/2          | SAF22620308    | 22320LBKC3               | LB68563R                    | SNW120312        | 68684       | LB68566R    | -  | SAF62030802                              |
| 3 15/16        | SAF22622315    | 22322LBKC3               | LB68633RA                   | H2322063         | 69644       | LB68646R    | -  | SAF62231502                              |
| 4              | SAF22622400    | 22322LBKC3               | LB68643R                    | SNW1224          | 69644       | LB68646R    | -  | SAF62240002                              |
| 4 3/16         | SAF22624403    | 22324LBKC3               | LB68673R                    | SNW1244316       | 69684       | LB68686R    | -  | SAF62440302                              |
| 4 7/16         | SAF22626407    | 22326LBKC3               | LB68713RA                   | SNW1264716       | 69724       | LB68726R    | -  | SAF62640702                              |
| 4 15/16        | SAF22628415    | 22328LBKC3               | LB68793R                    | SNW12841516      | 69804       | LB68806R    | -  | SAF62841502                              |
| 5              | SAF22628500    | 22328LBKC3               | LB68803R                    | SNW1285          | 69804       | LB68806R    | -  | SAF62850002                              |
| 5 3/16         | SAF22630503    | 22330LBKC3               | LB68833R                    | SNW1305316       | 69844       | LB68846R    | -  | SAF63050302                              |
| 5 7/16         | SAF22632507    | 22332LBKC3               | LB68873R                    | SNW1325716       | 681124      | LB68886R    | -  | SAF63250702                              |
| 5 15/16        | SAF22634515    | 22334LBKC3               | LB68953R                    | SNW13451516      | 69964       | LB68966R    | -  | SAF63451502                              |
| 8 15/16        | PLB22648K81516 | 22348LBKC3               | -                           | SNP14881516      | -           | -           | -  | PLB648K8151602                           |
| 10 7/16        | PLB22656K10716 | 22356LBKC3               | -                           | H235610716       | -           | -           | -  | PLB656K1071602                           |

### Additional Notes

\*2 - bolt base listed. For 4-bolt base add suffix F; i.e. PLB6939FR Pillow Block or PLB6939FR02 housing.

Housing part numbers listed above include seals and C-Spacer ring.

# PLB7600, PLB7800 Spherical Roller Bearing Unit Replacement Parts



## Bearing Dimensions

| Shaft Diameter | Pillow Block | Spherical Roller Bearing | Labyrinth Seal |             | C-Spacer | End Closure | 2-Bolt Cast Iron Adapter Mounted Housing | 4-Bolt Cast Iron Adapter Mounted Housing |
|----------------|--------------|--------------------------|----------------|-------------|----------|-------------|--|--|
|                |              |                          | V1             | V2          |          |             |  |  |
|                |              |                          | Part Number    | Part Number |          |             |  |  |
| 2.9528         | PLB7875R*    | 22215LBC3                | L78753R1       | LB78753R2   | 68404    | LB68446R    | PLB7875R02                               | -  |
| 3.1496         | PLB7880R*    | 22216LBC3                | L78803R1       | LB68483R    | 68444    | LB68486R    | PLB7880R02                               | -  |
| 3.3465         | PLB7885R*    | 22217LBC3                | L78853R1       | L78853R2    | 68484    | L78856R     | PLB7885R02                               | -  |
| 3.5433         | PLB7890R*    | 22218LBC3                | LB68663R       | L78903R2    | 68524    | LB68526R    | PLB7890R02                               | -  |
| 3.9370         | PLB78100R*   | 22220LBC3                | LB68723R       | L781003R2   | 68564    | L781006R    | PLB78100R02                              | -  |
| 4.3307         | PLB78110FR   | 22222LBC3                | LB68783R       | LB68673R    | 68644    | LB68686R    | -  | PLB78110FR02                             |
| 4.7244         | PLB78120FR   | 22224LBC3                | LB68853R       | LB781203R2  | 68684    | LB68726R    | -  | PLB78120FR02                             |
| 5.1181         | PLB78130FR   | 22226LBC3                | L781303R1      | LB68793R    | 68724    | LB68806R    | -  | PLB78130FR02                             |
| 5.5118         | PLB78140FR   | 22228LBC3                | L781403R1      | LB68853R    | 68804    | LB68846R    | -  | PLB78140FR02                             |
| 5.9055         | PLB78150FR   | 22230LBC3                | L781503R1      | L781503R2   | 68844    | L781506R    | -  | PLB78150FR02                             |
| 6.2992         | PLB78160FR   | 22232LBC3                | LB681123R      | LB781603R2  | 68924    | LB68966R    | -  | PLB78160FR02                             |
| 6.6929         | PLB78170FR   | 22234LBC3                | L781703R1      | LB681033R   | 68964    | LB681046R   | -  | PLB78170FR02                             |
| 7.0866         | PLB78180FR   | 22236LBC3                | LB681253R      | LB681103R   | 681044   | LB681126R   | -  | PLB78180FR02                             |
| 7.4803         | PLB78190FR   | 22238LBC3                | L781903R1      | LB681163R   | 681124   | LB681166R   | -  | PLB78190FR02                             |
| 7.8740         | PLB78200FR   | 22240LBC3                | L782003R1      | L782003R2   | 681164   | L782006R    | -  | PLB78200FR02                             |
| 8.6614         | PLB78220FR   | 22244LBC3                | L782203R1      | L782203R2   | 681284   | L782206R    | -  | PLB78220FR02                             |
| 8.6614         | PLB22244     | 22244LBC3                | -              | -           | -        | -           | -  | PLB24402                                 |
| 9.4488         | PLB76240FH   | 23048LBC3                | LB661683H      | LB762403H2  | 661444   | LB661686    | -  | PLB76240FH02                             |
| 9.4488         | PLB22248     | 22248LBC3                | -              | -           | -        | -           | -  | PLB24802                                 |
| 11.0236        | PLB76280FH   | 23056LBC3                | LB762803H1     | LB762803H2  | 661684   | LB762806    | -  | PLB76280FH02                             |

## Additional Notes

\*2 - bolt base listed. For 4-bolt base add suffix F; i.e. PLB7875FR Pillow Block or PLB7875FR02 housing.

Housing part numbers listed above include seals and C-Spacer ring.

## PLB7900, SAF22300 Spherical Roller Bearing Unit Replacement Parts



### Bearing Dimensions

| Shaft Diameter | Pillow Block | Spherical Roller Bearing | Labyrinth Seal |             | C-Spacer | End Closure | 2-Bolt Cast Iron Adapter Mounted Housing | 4-Bolt Cast Iron Adapter Mounted Housing |
|----------------|--------------|--------------------------|----------------|-------------|----------|-------------|--|--|
|                |              |                          | V1             | V2          |          |             |  |  |
|                |              |                          | Part Number    | Part Number |          |             |  |  |
| 1.7717         | PLB7945R     | 22309LBC3                | LB69343R       | LB69273R    | 69244    | LB69286R    | PLB7945R02                               | -  |
| 1.9685         | PLB7950R     | 22310LBC3                | L79503R1       | LB69303R    | 69284    | LB69326R    | PLB7950R02                               | -  |
| 2.1654         | PLB7955R*    | 22311LBC3                | LB79553R1      | LB69333R    | 69324    | LB69366R    | PLB7955R02                               | -  |
| 2.5591         | PLB7965R*    | 22313LBC3                | LB79653R1      | LB68393RA   | 68444    | LB68406R    | PLB7965R02                               | -  |
| 2.9528         | PLB7975R*    | 22315LBC3                | L78753R1       | LB78753R2   | 68524    | LB68446R    | PLB7975R02                               | -  |
| 3.1496         | PLB7980R*    | 22316LBC3                | L78803R1       | LB68483R    | 69444    | LB68486R    | PLB7980R02                               | -  |
| 3.3465         | PLB7985R*    | 22317LBC3                | L78853R1       | L78853R2    | 68564    | L78856R     | PLB7985R02                               | -  |
| 3.5433         | SAF22318     | 22318LBC3                | LB68663R       | L78903R2    | 69564    | LB68526R    | -  | SAF31802                                 |
| 3.9370         | SAF22320     | 22320LBC3                | LB68723R       | L781003R2   | 68684    | L781006R    | -  | SAF32002                                 |
| 4.3307         | SAF22322     | 22322LBC3                | LB68783R       | LB68673R    | 69644    | LB68686R    | -  | SAF32202                                 |
| 4.7244         | SAF22324     | 22324LBC3                | LB68853R       | LB781203R2  | 69684    | LB68726R    | -  | SAF32402                                 |
| 5.1181         | SAF22326     | 22326LBC3                | L781303R1      | LB68793R    | 69724    | LB68806R    | -  | SAF32602                                 |
| 5.5118         | SAF22328     | 22328LBC3                | L781403R1      | LB68853R    | 69804    | LB68846R    | -  | SAF32802                                 |
| 5.9055         | SAF22330     | 22330LBC3                | L781503R1      | L781503R2   | 69844    | L781506R    | -  | SAF33002                                 |
| 6.2992         | SAF22332     | 22332LBC3                | LB681123R      | LB781603R2  | 69884    | LB68966R    | -  | SAF33202                                 |
| 6.6929         | SAF22334     | 22334LBC3                | L781703R1      | LB681033R   | 69964    | LB681046R   | -  | SAF33402                                 |
| 9.4488         | PLB22348     | 22348LBC3                | -              | -           | -        | -           | -  | PLB34802                                 |
| 11.0236        | PLB22356     | 22356LBC3                | -              | -           | -        | -           | -  | PLB35602                                 |

### Additional Notes

\*2 - bolt base listed. For 4-bolt base add suffix F; i.e. PLB7955FR Pillow Block or PLB7955FR02 housing.

Housing part numbers listed above include seals and C-Spacer ring.

# PLB23000K Spherical Roller Bearing Unit Replacement Parts



## Bearing Dimensions

| Shaft Diameter                   | Part Number     | Bearing Insert | Adapter Assy  | Housing Part Number |
|----------------------------------|-----------------|----------------|---------------|---------------------|
| 7 <sup>15</sup> / <sub>16</sub>  | PLB23044K71516  | 23044LBKC3     | H3044127      | PLB044K7151602      |
| 8                                | PLB23044K8      | 23044LBKC3     | SNW30448      | PLB044K802          |
| 8 <sup>1</sup> / <sub>2</sub>    | PLB23048K812    | 23048LBKC3     | SNP3048812    | PLB048K81202        |
| 8 <sup>15</sup> / <sub>16</sub>  | PLB23048K81516  | 23048LBKC3     | SNP30481516   | PLB048K8151602      |
| 9                                | PLB23048K9      | 23048LBKC3     | SNP30489      | PLB048K902          |
| 9 <sup>7</sup> / <sub>16</sub>   | PLB23052K9716   | 23052LBKC3     | SNP30529716   | PLB052K971602       |
| 9 <sup>1</sup> / <sub>2</sub>    | PLB23052K912    | 23052LBKC3     | SNP30529716   | PLB052K91202        |
| 9 <sup>15</sup> / <sub>16</sub>  | PLB23056K91516  | 23056LBKC3     | SNP305691516  | PLB056K9151602      |
| 10                               | PLB23056K10     | 23056LBKC3     | SNP305610     | PLB056K1002         |
| 10 <sup>7</sup> / <sub>16</sub>  | PLB23056K10716  | 23056LBKC3     | SNP305610716  | PLB056K1071602      |
| 10 <sup>15</sup> / <sub>16</sub> | PLB23060K101516 | 23060LBKC3     | SNP3060101516 | PLB3060K10151602    |
| 11                               | PLB23060K11     | 23060LBKC3     | SNP3060101516 | PLB3060K1102        |
| 11 <sup>15</sup> / <sub>16</sub> | PLB23064K111516 | 23064LBKC3     | SNP3064111516 | PLB3064K11151602    |
| 12                               | PLB23064K12     | 23064LBKC3     | SNP306412     | PLB3064K1202        |
| 12 <sup>1</sup> / <sub>2</sub>   | PLB23068K1212   | 23068LBKC3     | SNP30681212   | PLB3068K121202      |
| 12 <sup>15</sup> / <sub>16</sub> | PLB23072K121516 | 23072LBKC3     | SNP3072121516 | PLB3072K12151602    |
| 13                               | PLB23072K13     | 23072LBKC3     | SNP307213     | PLB3072K1302        |
| 13 <sup>15</sup> / <sub>16</sub> | PLB23076K131516 | 23076LBKC3     | SNP3076131516 | PLB3076K13151602    |
| 14                               | PLB23076K14     | 23076LBKC3     | SNP307614     | PLB3076K1402        |
| 15                               | PLB23080K15     | 23080LBKC3     | SNP308015     | PLB3080K1502        |
| 15 <sup>3</sup> / <sub>4</sub>   | PLB23084K1534   | 23084LBKC3     | SNP30841534   | PLB3084K153402      |
| 16 <sup>1</sup> / <sub>2</sub>   | PLB23088K1612   | 23088LBKC3     | SNP30881612   | PLB3088K161202      |
| 17                               | PLB23092K17     | 23092LBKC3     | SNP309217     | PLB3092K1702        |
| 18                               | PLB23096K18     | 23096LBKC3     | SNP309618     | PLB3096K1802        |
| 19 <sup>1</sup> / <sub>2</sub>   | PLB230530K1912  | 230530LBKC3    | SNP305301912  | PLB30530K191202     |
| 21                               | PLB230560K21    | 230560LBKC3    | SNP3056021    | PLB30560K2102       |
| 22                               | PLB230600K22    | 230600LBKC3    | SNP3060022    | PLB30600K2202       |
| 24                               | PLB230630K24    | 230630LBKC3    | SNP3063024    | PLB30630K2402       |

## Additional Notes

Housing part numbers listed above include seals and C-Spacer ring.

## PLB23000 Spherical Roller Bearing Unit Replacement Parts



Housing

Bearing

Optional End Closure

### Bearing Dimensions

| Shaft Diameter | Part Number | Bearing Insert | Housing Part Number |
|----------------|-------------|----------------|---------------------|
| 8.6614         | PLB23044    | 23044LBC3      | PLB04402            |
| 9.4488         | PLB23048    | 23048LBC3      | PLB04802            |
| 10.2362        | PLB23052    | 23052LBC3      | PLB05202            |
| 11.0236        | PLB23056    | 23056LBC3      | PLB05602            |
| 11.8110        | PLB23060    | 23060LBC3      | PLB306002           |
| 12.5984        | PLB23064    | 23064LBC3      | PLB306402           |
| 13.3858        | PLB23068    | 23068LBC3      | PLB306802           |
| 14.1732        | PLB23072    | 23072LBC3      | PLB307202           |
| 14.9606        | PLB23076    | 23076LBC3      | PLB307602           |
| 15.7480        | PLB23080    | 23080LBC3      | PLB308002           |
| 16.5354        | PLB23084    | 23084LBC3      | PLB308402           |
| 17.3228        | PLB23088    | 23088LBC3      | PLB308802           |
| 18.1102        | PLB23092    | 23092LBC3      | PLB309202           |
| 18.8976        | PLB23096    | 23096LBC3      | PLB309602           |
| 20.8661        | PLB230530   | 230530LBC3     | PLB3053002          |
| 22.0472        | PLB230560   | 230560LBC3     | PLB3056002          |

### Additional Notes

Housing part numbers listed above include seals and C-Spacer ring.



# PLB23100K Spherical Roller Bearing Unit Replacement Parts



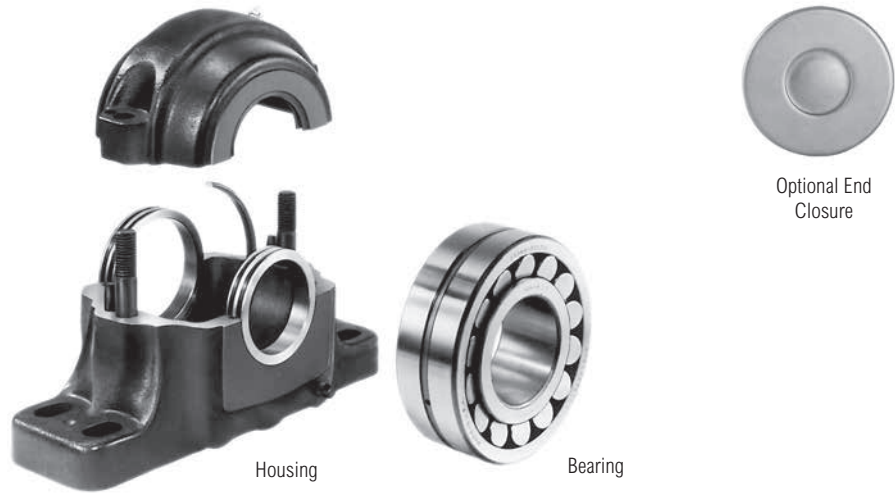
## Bearing Dimensions

| Shaft Diameter                   | Part Number     | Bearing Insert | Adapter Assy  | Housing Part Number |
|----------------------------------|-----------------|----------------|---------------|---------------------|
| 8                                | PLB23144K8      | 23144LBKC3     | SNW30448      | PLB3144K802         |
| 8 <sup>15</sup> / <sub>16</sub>  | PLB23148K81516  | 23148LBKC3     | SNP314881516  | PLB3148K8151602     |
| 9 <sup>7</sup> / <sub>16</sub>   | PLB23152K9716   | 23152LBKC3     | SNP31529716   | PLB3152K971602      |
| 10 <sup>7</sup> / <sub>16</sub>  | PLB23156K10716  | 23156LBKC3     | SNP315610716  | PLB3156K1071602     |
| 10 <sup>15</sup> / <sub>16</sub> | PLB23160K101516 | 23160LBKC3     | SNP3160101516 | PLB3160K10151602    |
| 11 <sup>15</sup> / <sub>16</sub> | PLB23164K111516 | 23164LBKC3     | SNP3164111516 | PLB3164K11151602    |
| 12 <sup>7</sup> / <sub>16</sub>  | PLB23168K12716  | 23168LBKC3     | SNP316812716  | PLB3168K1271602     |
| 13 <sup>7</sup> / <sub>16</sub>  | PLB23172K13716  | 23172LBKC3     | SNP317213716  | PLB3172K1371602     |
| 13 <sup>15</sup> / <sub>16</sub> | PLB23176K131516 | 23176LBKC3     | SNP3176131516 | PLB3176K13151602    |
| 15                               | PLB23180K15     | 23180LBKC3     | SNP318015     | PLB3180K1502        |
| 15 <sup>3</sup> / <sub>4</sub>   | PLB23184K1534   | 23184LBKC3     | SNP31841534   | PLB3184K153402      |
| 16 <sup>1</sup> / <sub>2</sub>   | PLB23188K1612   | 23188LBKC3     | SNP31881612   | PLB3188K161202      |
| 17                               | PLB23192K17     | 23192LBKC3     | SNP319217     | PLB3192K1702        |
| 18                               | PLB23196K18     | 23196LBKC3     | SNP319618     | PLB3196K1802        |
| 19 <sup>1</sup> / <sub>2</sub>   | PLB231530K1912  | 231530LBKC3    | SNP315301912  | PLB31530K191202     |
| 21                               | PLB231560K21    | 231560LBKC3    | SNP3156021    | PLB31560K2102       |

## Additional Notes

Housing part numbers listed above include seals and C-Spacer ring.

## PLB23100 Spherical Roller Bearing Unit Replacement Parts



### Bearing Dimensions

| Shaft Diameter | Part Number | Bearing Insert | Housing Part Number |
|----------------|-------------|----------------|---------------------|
| 8.6614         | PLB23144    | 23144LBC3      | PLB314402           |
| 9.4488         | PLB23148    | 23148LBC3      | PLB314802           |
| 10.2362        | PLB23152    | 23152LBC3      | PLB315202           |
| 11.0236        | PLB23156    | 23156LBC3      | PLB315602           |
| 11.8110        | PLB23160    | 23160LBC3      | PLB316002           |
| 12.5984        | PLB23164    | 23164LBC3      | PLB316402           |
| 13.3858        | PLB23168    | 23168LBC3      | PLB316802           |
| 14.1732        | PLB23172    | 23172LBC3      | PLB317202           |
| 14.9606        | PLB23176    | 23176LBC3      | PLB317602           |
| 15.7480        | PLB23180    | 23180LBC3      | PLB318002           |
| 16.5354        | PLB23184    | 23184LBC3      | PLB318402           |
| 17.3228        | PLB23188    | 23188LBC3      | PLB318802           |
| 18.1102        | PLB23192    | 23192LBC3      | PLB319202           |
| 18.8976        | PLB23196    | 23196LBC3      | PLB319602           |
| 20.8661        | PLB231530   | 231530LBC3     | PLB3153002          |
| 22.0472        | PLB231560   | 231560LBC3     | PLB3156002          |

### Additional Notes

Housing part numbers listed above include seals and C-Spacer ring.

# PLB23200K Spherical Roller Bearing Unit Replacement Parts



## Bearing Dimensions

| Shaft Diameter                   | Part Number     | Bearing Insert | Adapter Assy  | Housing Part Number |
|----------------------------------|-----------------|----------------|---------------|---------------------|
| 8                                | PLB23244K8      | 23244LBKC3     | SNW1448       | PLB3244K802         |
| 8 <sup>15</sup> / <sub>16</sub>  | PLB23248K81516  | 23248LBKC3     | SNP14881516   | PLB3248K8151602     |
| 9 <sup>7</sup> / <sub>16</sub>   | PLB23252K9716   | 23252LBKC3     | SNP1529716    | PLB3252K971602      |
| 10 <sup>7</sup> / <sub>16</sub>  | PLB23256K10716  | 23256LBKC3     | SNP325610716  | PLB3256K1071602     |
| 10 <sup>15</sup> / <sub>16</sub> | PLB23260K101516 | 23260LBKC3     | SNP3260101516 | PLB3260K10151602    |
| 11 <sup>15</sup> / <sub>16</sub> | PLB23264K111516 | 23264LBKC3     | SNP3264111516 | PLB3264K11151602    |
| 12 <sup>7</sup> / <sub>16</sub>  | PLB23268K12716  | 23268LBKC3     | SNP326812716  | PLB3268K1271602     |
| 13 <sup>7</sup> / <sub>16</sub>  | PLB23272K13716  | 23272LBKC3     | SNP327213716  | PLB3272K1371602     |
| 13 <sup>15</sup> / <sub>16</sub> | PLB23276K131516 | 23276LBKC3     | SNP3276131516 | PLB3276K13151602    |
| 15                               | PLB23280K15     | 23280LBKC3     | SNP328015     | PLB3280K1502        |
| 15 <sup>3</sup> / <sub>4</sub>   | PLB23284K1534   | 23284LBKC3     | SNP32841534   | PLB3284K153402      |
| 16 <sup>1</sup> / <sub>2</sub>   | PLB23288K1612   | 23288LBKC3     | SNP32881612   | PLB3288K161202      |
| 17                               | PLB23292K17     | 23292LBKC3     | SNP329217     | PLB3292K1702        |
| 18                               | PLB23296K18     | 23296LBKC3     | SNP329618     | PLB3296K1802        |

## Additional Notes

Housing part numbers listed above include seals and C-Spacer ring.

## PLB23200 Spherical Roller Bearing Unit Replacement Parts



### Bearing Dimensions

| Shaft Diameter | Part Number | Bearing Insert | Housing Part Number |
|----------------|-------------|----------------|---------------------|
| 8.6614         | PLB23244    | 23244LBC3      | PLB324402           |
| 9.4488         | PLB23248    | 23248LBC3      | PLB324802           |
| 10.2362        | PLB23252    | 23252LBC3      | PLB325202           |
| 11.0236        | PLB23256    | 23256LBC3      | PLB325602           |
| 11.8110        | PLB23260    | 23260LBC3      | PLB326002           |
| 12.5984        | PLB23264    | 23264LBC3      | PLB326402           |
| 13.3858        | PLB23268    | 23268LBC3      | PLB326802           |
| 14.1732        | PLB23272    | 23272LBC3      | PLB327202           |
| 14.9606        | PLB23276    | 23276LBC3      | PLB327602           |
| 15.7480        | PLB23280    | 23280LBC3      | PLB328002           |
| 16.5354        | PLB23284    | 23284LBC3      | PLB328402           |
| 17.3228        | PLB23288    | 23288LBC3      | PLB328802           |
| 18.1102        | PLB23292    | 23292LBC3      | PLB329202           |
| 18.8976        | PLB23296    | 23296LBC3      | PLB329602           |

### Additional Notes

Housing part numbers listed above include seals and C-Spacer ring.

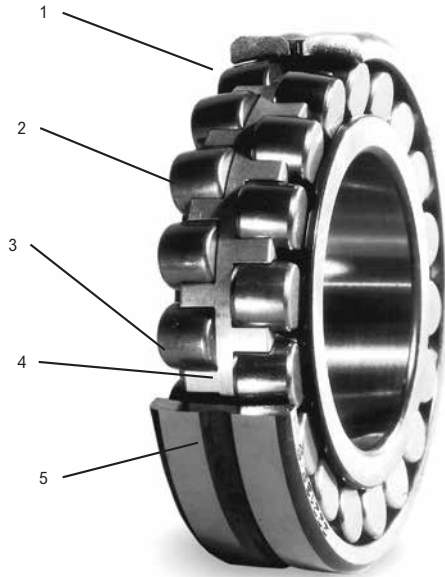


**Industries Served**

- Mining
- Forest Products
- Aggregates
- Steel
- Air Handling
- Construction
- Package Handling
- Waste Water Treatment

## Series 22200, 22300, 23000, 23100, 23200 Spherical Roller Bearings

Self-aligning and self-contained spherical roller bearings provide high capacity for heavy-duty and high-precision applications. They are used extensively on earth-moving equipment, vibrating screens, steel mill and paper mill equipment, embossing rolls, printing presses, and torque converters.



**1. Positive Roller Guidance is Provided from Rugged Retainer Design**

**2. Large High-capacity Rollers for Extended Bearing Life**

**3. Raceway Curvatures**

Controlled raceway curvatures afford precise osculation clearance preventing roller edge loading.

**4. Micro-finished Raceways Assure Smooth Operation**

**5. Maximum Lubrication**

Outer ring groove and three symmetrically spaced holes for maximum lubrication access.

## 22200, 22300, 23000, 23100, 23200, 23900 Nomenclature

| Symbol | Description   | 2     | 22    | 16    | LB    | K     | W33   | C0    |
|--------|---|-------|-------|-------|-------|-------|-------|-------|
| 2      | Used to distinguish from other series                 | _____ | _____ | _____ | _____ | _____ | _____ | _____ |
| 22     | Bearing dimension series (22, 23, 30, 31, 32, 39)     | _____ | _____ | _____ | _____ | _____ | _____ | _____ |
| 16     | One-fifth of bore diameter (mm)                       | _____ | _____ | _____ | _____ | _____ | _____ | _____ |
| LB     | Designation for Link-Belt spherical roller bearing    | _____ | _____ | _____ | _____ | _____ | _____ | _____ |
| None   | Cylindrical bore                                      | _____ |       |       |       |       |       |       |
| K      | Tapered bore  | _____ |       |       |       |       |       |       |
| W33    | Lubrication holes and groove in outer ring (standard) | _____ |       |       |       |       |       |       |
| C2     | Internal clearance less than C0                       | _____ |       |       |       |       |       |       |
| C0     | Basic internal clearance                              | _____ |       |       |       |       |       |       |
| C3     | Internal clearance greater than C0 (standard)         | _____ |       |       |       |       |       |       |
| C4     | Internal clearance greater than C3                    | _____ |       |       |       |       |       |       |

# Link-Belt Spherical Roller Bearing Series 22200, 22300, 23000, 23100, 23200 and 23900 Selection Guide

To select a pillow block, determine the applied radial load, the applied thrust load, the desired Rating Life, the required minimum shaft size, and applicable operating conditions. The procedure shown here will aid in selecting a pillow block to meet an L<sub>10</sub> design life. The formulas for calculating life expectancy should be used to determine the Rating Life L<sub>10</sub> for the pillow block selected. Spherical roller bearing pillow blocks are available in Series 6600, 6800, 22600, 7600, 7800, and 22300. Because a number of series are available, several different pillow blocks that will fulfill and L<sub>10</sub> life requirement can often be chosen.

Some of the factors to consider when choosing between series are: cost, speed limit, minimum shaft diameter, thrust load, space limitations, and type of shaft mounting.

The selection procedures and rating formulas shown here are in agreement with The American Bearing Manufacturers Association Standards and ANSI/ ABMA Standards STD 11-1990. Ratings are based on fatigue life.

The Rating Life L<sub>10</sub> or fatigue life at 90% reliability is the usual basis for bearing selection.

For radial load applications only, Table 3 can be used to select a unit or to determine L<sub>10</sub> life expectancy.

To assure a satisfactory bearing application, fitting practice, mounting, lubrication, sealing, static rating, housing strength, operating conditions and maintenance must be considered.

## Steps for Selection

### Step 1

Determine an appropriate L<sub>10</sub> design life.

| Type of service             | Operating time, hours per year | Design life, years | L <sub>10</sub> design life, hours |
|-----------------------------|--------------------------------|--------------------|------------------------------------|
| Heavy seasonal usage        | 1,400 to 1,600                 | 4-6                | 8,000                              |
| Industrial—8 hour shift     | 2,000                          | 10                 | 20,000                             |
| Industrial—16 hour shift    | 4,000                          | 10                 | 40,000                             |
| Industrial—continuous       | 8,700                          | 10                 | 80,000 to 100,000                  |
| Industrial—High reliability | —                              | —                  | 120,000 to 300,000                 |

### Step 2

Determine a required  $\left(\frac{C}{P}\right)$  from Table 1.

### Step 3

Calculate the required C and select a roller bearing pillow block.

**a** For radial load only:  $P = F_r$

Required  $C = \left(\frac{C}{P}\right) P$  using  $\left(\frac{C}{P}\right)$  from Step 2

Select a roller bearing pillow block from Table 2 or Table 4 having a basic load rating C equal to or greater than the required C.

**b** For combined radial and thrust loads:

Select a roller bearing pillow block of the desired shaft size from Table 2 or Table 4 Calculate the ratio of thrust load  $F_a$  to the radial load  $F_r$ .

$$\frac{F_a}{F_r}$$

Calculate the equivalent radial load P

$$P = X F_r + Y F_a$$

If  $\frac{F_a}{F_r}$  is equal to or less than e, then  $P = X_1 F_r + Y_1 F_a$

If  $\frac{F_a}{F_r}$  is greater than e, then  $P = X_2 F_r + Y_2 F_a$

For values of e, X<sub>1</sub>, Y<sub>1</sub>, X<sub>2</sub>, and Y<sub>2</sub>, see Table 2 or Table 4

Required  $C = \left(\frac{C}{P}\right) P$  using  $\left(\frac{C}{P}\right)$  from Step 2

Consult the bearing rating Table 2 or Table 4, to see if the selected bearing meets or exceeds the required C. The life expectancy of other sizes and series of bearings can be calculated similarly.



## Selection

### Symbols for formulas:

|  |   |
|--|---|
| C = basic load rating, pounds (or newtons)   | L <sub>10</sub> = rating life, hours            |
| Co = static load rating, pounds (or newtons) | n = speed, revolutions per minute               |
| e = a reference value                        | P = equivalent radial load, pounds (or newtons) |
| Fa = thrust load, pounds (or newtons)        | X = radial factor                               |
| Fr = radial load, pounds (or newtons)        | Y = thrust factor                               |

**Table 1 • Relation of L<sub>10</sub> life and speed to  $\left(\frac{C}{P}\right)$**

| Bearing Life Hours<br>L <sub>10</sub> | Speed, n |       |       |       |       |       |       |       |       |  |
|---------------------------------------|----------|-------|-------|-------|-------|-------|-------|-------|-------|--|
|                                       | 50       | 100   | 200   | 300   | 400   | 500   | 600   | 700   | 800   |  |
| 3000                                  | 1.93     | 2.38  | 2.93  | 3.31  | 3.61  | 3.86  | 4.07  | 4.27  | 4.44  |  |
| 4000                                  | 2.11     | 2.59  | 3.19  | 3.61  | 3.93  | 4.20  | 4.44  | 4.65  | 4.84  |  |
| 5000                                  | 2.25     | 2.77  | 3.42  | 3.86  | 4.20  | 4.50  | 4.75  | 4.97  | 5.18  |  |
| 6000                                  | 2.38     | 2.93  | 3.61  | 4.07  | 4.44  | 4.75  | 5.02  | 5.25  | 5.47  |  |
| 8000                                  | 2.59     | 3.19  | 3.93  | 4.44  | 4.84  | 5.18  | 5.47  | 5.73  | 5.96  |  |
| 10000                                 | 2.77     | 3.42  | 4.20  | 4.75  | 5.18  | 5.54  | 5.85  | 6.12  | 6.37  |  |
| 12000                                 | 2.93     | 3.61  | 4.44  | 5.02  | 5.47  | 5.85  | 6.18  | 6.47  | 6.73  |  |
| 14000                                 | 3.07     | 3.78  | 4.65  | 5.25  | 5.73  | 6.12  | 6.47  | 6.77  | 7.05  |  |
| 16000                                 | 3.19     | 3.93  | 4.84  | 5.47  | 5.96  | 6.37  | 6.73  | 7.05  | 7.34  |  |
| 18000                                 | 3.31     | 4.07  | 5.02  | 5.66  | 6.18  | 6.60  | 6.97  | 7.30  | 7.60  |  |
| 20000                                 | 3.42     | 4.20  | 5.18  | 5.85  | 6.37  | 6.81  | 7.20  | 7.54  | 7.85  |  |
| 25000                                 | 3.65     | 4.50  | 5.54  | 6.25  | 6.81  | 7.29  | 7.70  | 8.06  | 8.39  |  |
| 30000                                 | 3.86     | 4.75  | 5.85  | 6.60  | 7.20  | 7.70  | 8.13  | 8.51  | 8.86  |  |
| 35000                                 | 4.04     | 4.97  | 6.12  | 6.92  | 7.54  | 8.06  | 8.51  | 8.92  | 9.28  |  |
| 40000                                 | 4.20     | 5.18  | 6.37  | 7.20  | 7.85  | 8.39  | 8.86  | 9.28  | 9.66  |  |
| 45000                                 | 4.36     | 5.36  | 6.60  | 7.46  | 8.13  | 8.69  | 9.18  | 9.61  | 10.00 |  |
| 50000                                 | 4.50     | 5.54  | 6.81  | 7.70  | 8.39  | 8.97  | 9.48  | 9.92  | 10.30 |  |
| 60000                                 | 4.75     | 5.85  | 7.20  | 8.13  | 8.86  | 9.48  | 10.00 | 10.50 | 10.90 |  |
| 70000                                 | 4.97     | 6.12  | 7.54  | 8.51  | 9.28  | 9.92  | 10.50 | 11.00 | 11.40 |  |
| 80000                                 | 5.18     | 6.37  | 7.85  | 8.86  | 9.66  | 10.30 | 10.90 | 11.40 | 11.90 |  |
| 90000                                 | 5.36     | 6.60  | 8.13  | 9.18  | 10.00 | 10.70 | 11.30 | 11.80 | 12.30 |  |
| 100000                                | 5.54     | 6.81  | 8.39  | 9.48  | 10.30 | 11.00 | 11.70 | 12.20 | 12.70 |  |
| 150000                                | 6.25     | 7.70  | 9.48  | 10.70 | 11.70 | 12.50 | 13.20 | 13.80 | 14.40 |  |
| 200000                                | 6.81     | 8.39  | 10.30 | 11.70 | 12.70 | 13.60 | 14.40 | 15.00 | 15.70 |  |
|                                       | Speed, n |       |       |       |       |       |       |       |       |  |
|                                       | 900      | 1000  | 1200  | 1500  | 1800  | 2400  | 3000  | 3600  | 6000  |  |
| 3000                                  | 4.60     | 4.75  | 5.02  | 5.36  | 5.66  | 6.18  | 6.60  | 6.97  | 8.13  |  |
| 4000                                  | 5.02     | 5.18  | 5.47  | 5.85  | 6.18  | 6.73  | 7.20  | 7.60  | 8.86  |  |
| 5000                                  | 5.36     | 5.54  | 5.85  | 6.25  | 6.60  | 7.20  | 7.70  | 8.13  | 9.48  |  |
| 6000                                  | 5.66     | 5.85  | 6.18  | 6.60  | 6.97  | 7.60  | 8.13  | 8.59  | 10.00 |  |
| 8000                                  | 6.18     | 6.37  | 6.73  | 7.20  | 7.60  | 8.29  | 8.86  | 9.36  | 10.90 |  |
| 10000                                 | 6.60     | 6.81  | 7.20  | 7.70  | 8.13  | 8.86  | 9.48  | 10.00 | 11.70 |  |
| 12000                                 | 6.97     | 7.20  | 7.60  | 8.13  | 8.59  | 9.36  | 10.00 | 10.60 | 12.30 |  |
| 14000                                 | 7.30     | 7.54  | 7.96  | 8.51  | 8.99  | 9.80  | 10.50 | 11.10 | 12.90 |  |
| 16000                                 | 7.60     | 7.85  | 8.29  | 8.86  | 9.36  | 10.20 | 10.90 | 11.50 | 13.40 |  |
| 18000                                 | 7.88     | 8.13  | 8.59  | 9.18  | 9.70  | 10.60 | 11.30 | 11.90 | 13.90 |  |
| 20000                                 | 8.13     | 8.39  | 8.86  | 9.48  | 10.00 | 10.90 | 11.70 | 12.30 | 14.40 |  |
| 25000                                 | 8.69     | 8.97  | 9.48  | 10.10 | 10.70 | 11.70 | 12.50 | 13.20 | 15.40 |  |
| 30000                                 | 9.18     | 9.48  | 10.00 | 10.70 | 11.30 | 12.30 | 13.20 | 13.90 | 16.20 |  |
| 35000                                 | 9.61     | 9.92  | 10.50 | 11.20 | 11.80 | 12.90 | 13.80 | 14.60 | 17.00 |  |
| 40000                                 | 10.00    | 10.30 | 10.90 | 11.70 | 12.30 | 13.40 | 14.40 | 15.20 | 17.70 |  |
| 45000                                 | 10.40    | 10.70 | 11.30 | 12.10 | 12.80 | 13.90 | 14.90 | 15.70 | 18.30 |  |
| 50000                                 | 10.70    | 11.00 | 11.70 | 12.50 | 13.20 | 14.40 | 15.40 | 16.20 | 18.90 |  |
| 60000                                 | 11.30    | 11.70 | 12.30 | 13.20 | 13.90 | 15.20 | 16.20 | 17.10 | 20.00 |  |
| 70000                                 | 11.80    | 12.20 | 12.90 | 13.80 | 14.60 | 15.90 | 17.00 | 17.90 | 20.90 |  |
| 80000                                 | 12.30    | 12.70 | 13.40 | 14.40 | 15.20 | 16.50 | 17.70 | 18.70 | 21.80 |  |
| 90000                                 | 12.80    | 13.20 | 13.90 | 14.90 | 15.70 | 17.10 | 18.30 | 19.40 | 22.60 |  |
| 100000                                | 13.20    | 13.60 | 14.40 | 15.40 | 16.20 | 17.70 | 18.90 | 20.00 | 23.30 |  |
| 150000                                | 14.90    | 15.40 | 16.20 | 17.30 | 18.30 | 20.00 | 21.40 | 22.60 | 26.30 |  |
| 200000                                | 16.20    | 16.70 | 17.70 | 18.90 | 20.00 | 21.80 | 23.30 | 24.60 | 28.70 |  |

## Basic Formula

$$\left(\frac{C}{P}\right) = \left(\frac{L_{10} \times n \times 60}{1,000,000}\right)^{3/10}$$

$$L_{10} = \frac{\left(\frac{C}{P}\right)^{10/3} \times 1,000,000}{n \times 60}$$

## Life Expectancy

To calculate the Rating Life L<sub>10</sub> of any selected or trial bearing:

### Step 1

Determine the equivalent radial load P.

**a** For radial load only:

$$P = Fr$$

**b** For combined radial and thrust load:

$$P = XFr + YFa$$

if  $\frac{Fa}{Fr}$  is equal to or less than e, then

$$P = X1Fr + Y1Fa$$

if  $\frac{Fa}{Fr}$  is greater than e, then

$$P = X2Fr + Y2Fa$$

For values of e, X1, Y1, X2, and Y2, consult the appropriate bearing rating Table 2 Table 4.

### Step 2

Calculate the ratio of the basic load rating C to the equivalent radial load.

$$\left(\frac{C}{P}\right)$$

### Step 3

Approximate the bearing life from Table 1.

### Live Adjustment

The Rating Life, L<sub>10</sub>, may be modified for some applications in accordance with the formula

$$Ln = a1a2a3L_{10}$$

where Ln = Adjusted life for (100-n) % reliability,

a1 = Life adjustment factor for reliability

a2 = Life adjustment factor

for material and processing

a3 = Life adjustment factor for operating conditions.

For most normal applications, all factors will be taken as 1, and the Rating Life used as the selection basis or life estimate. In addition, as long as standard catalog bearings are used, a2 will be normally set equal to one.

The factor a3 covers such things as lubrication, misalignment, and temperature. Some conditions that could yield a3 significantly different than unity include speeds less than 20000 DN or greater than 200000 DN, temperatures below -40°F (-40°C) or above 275°F (135°C). For other possible conditions, as well as additional information on life adjustment factors, consult Rexnord Bearing Division.

Table 2 • Series 22200LB, 22200LBK Load Ratings and Speed Limits

| Bearing Number   |              | Co Static Load Rating |        | C Basic Load Rating |        | Speed Limit, RPM |      | e    | $\frac{F_a}{F_r} \leq e$ |     | $\frac{F_a}{F_r} > e$ |     |
|------------------|--------------|-----------------------|--------|---------------------|--------|------------------|------|------|--------------------------|-----|-----------------------|-----|
| Cylindrical Bore | Tapered bore | newtons               | pounds | newtons             | pounds | Grease           | Oil  |      | X1                       | Y1  | X2                    | Y2  |
| 22209LB          | 22209LBK     | 105000                | 23600  | 92500               | 20800  | 5300             | 6200 | 0.26 | 1.00                     | 2.6 | 0.67                  | 3.9 |
| 22210LB          | 22210LBK     | 113000                | 25500  | 97900               | 22000  | 5000             | 5500 | 0.26 | 1.00                     | 2.8 | 0.67                  | 4.2 |
| 22211LB          | 22211LBK     | 145000                | 32500  | 120000              | 27000  | 4500             | 5000 | 0.23 | 1.00                     | 2.9 | 0.67                  | 4.4 |
| 22212LB          | 22212LBK     | 180000                | 40500  | 151000              | 34000  | 4000             | 4500 | 0.24 | 1.00                     | 2.8 | 0.67                  | 4.2 |
| 22213LB          | 22213LBK     | 207000                | 46500  | 169000              | 38000  | 3800             | 4300 | 0.24 | 1.00                     | 2.8 | 0.67                  | 4.2 |
| 22214LB          | 22214LBK     | 222000                | 50000  | 178000              | 40000  | 3600             | 4000 | 0.23 | 1.00                     | 2.9 | 0.67                  | 4.4 |
| 22215LB          | 22215LBK     | 236000                | 53000  | 185000              | 41500  | 3400             | 3700 | 0.22 | 1.00                     | 3.1 | 0.67                  | 4.6 |
| 22216LB          | 22216LBK     | 260000                | 58500  | 207000              | 46500  | 3200             | 3500 | 0.22 | 1.00                     | 3.1 | 0.67                  | 4.7 |
| 22217LB          | 22217LBK     | 327000                | 73500  | 260000              | 58500  | 3000             | 3250 | 0.22 | 1.00                     | 3.0 | 0.67                  | 4.5 |
| 22218LB          | 22218LBK     | 363000                | 81500  | 285000              | 64000  | 2600             | 3000 | 0.23 | 1.00                     | 2.9 | 0.67                  | 4.3 |
| 22219LB          | 22219LBK     | 400000                | 90000  | 316000              | 71000  | 2400             | 2900 | 0.24 | 1.00                     | 2.9 | 0.67                  | 4.3 |
| 22220LB          | 22220LBK     | 463000                | 104000 | 356000              | 80000  | 2200             | 2800 | 0.24 | 1.00                     | 2.8 | 0.67                  | 4.2 |
| 22222LB          | 22222LBK     | 587000                | 132000 | 454000              | 102000 | 2000             | 2500 | 0.25 | 1.00                     | 2.7 | 0.67                  | 4.0 |
| 22224LB          | 22224LBK     | 725000                | 163000 | 534000              | 120000 | 1900             | 2300 | 0.25 | 1.00                     | 2.7 | 0.67                  | 4.0 |
| 22226LB          | 22226LBK     | 872000                | 196000 | 636000              | 143000 | 1800             | 2100 | 0.26 | 1.00                     | 2.6 | 0.67                  | 3.9 |
| 22228LB          | 22228LBK     | 1010000               | 228000 | 738000              | 166000 | 1700             | 1950 | 0.25 | 1.00                     | 2.7 | 0.67                  | 4.0 |
| 22230LB          | 22230LBK     | 1200000               | 270000 | 845000              | 190000 | 1600             | 1850 | 0.25 | 1.00                     | 2.7 | 0.67                  | 4.0 |
| 22232LB          | 22232LBK     | 1380000               | 310000 | 961000              | 216000 | 1500             | 1700 | 0.26 | 1.00                     | 2.6 | 0.67                  | 3.9 |
| 22234LB          | 22234LBK     | 1530000               | 345000 | 1110000             | 250000 | 1300             | 1600 | 0.26 | 1.00                     | 2.6 | 0.67                  | 3.9 |
| 22236LB          | 22236LBK     | 1620000               | 365000 | 1130000             | 255000 | 1300             | 1500 | 0.25 | 1.00                     | 2.7 | 0.67                  | 4.0 |
| 22238LB          | 22238LBK     | 1850000               | 415000 | 1200000             | 270000 | 1200             | 1400 | 0.28 | 1.00                     | 2.4 | 0.67                  | 3.6 |
| 22240LB          | 22240LBK     | 2000000               | 450000 | 1330000             | 300000 | 1100             | 1300 | 0.29 | 1.00                     | 2.3 | 0.67                  | 3.5 |
| 22244LB          | 22244LBK     | 2450000               | 550000 | 1620000             | 365000 | 1000             | 1200 | 0.29 | 1.00                     | 2.3 | 0.67                  | 3.5 |
| 22248LB          | 22248LBK     | 2890000               | 650000 | 1870000             | 420500 | 750              | 950  | 0.27 | 1.00                     | 2.5 | 0.67                  | 3.7 |

If the load P is greater than .25C, consult Rexnord Bearing Division.

Speed limits are based on the following:

1. Negligible seal torque (e.g., non-contact seals)
2. Proper operating internal clearance.
3. Adequate lubrication and maintenance (special lubricants and/or more frequent relubrication may be required).
4. Normal room temperature environment and no extraneous heat sources, such that bearing operating temperature does not exceed 100°C (212°F).
5. Equivalent radial load not greater than 7% of C.
6. Axial load, if any, not greater than 20% of radial load.

Table 3 • Series 22300LB,22300LBK Load Ratings and Speed Limits

| Bearing Number   |              | Co Static Load Rating |         | C Basic Load Rating |        | Speed Limit RPM |      |      | $\frac{F_a}{F_r} \leq e$ |     | $\frac{F_a}{F_r} > e$ |     |
|------------------|--------------|-----------------------|---------|---------------------|--------|-----------------|------|------|--------------------------|-----|-----------------------|-----|
| Cylindrical Bore | Tapered Bore | newtons               | pounds  | newtons             | pounds | Grease          | Oil  | e    | X1                       | Y1  | X2                    | Y2  |
| 22308LB          | 22308LBK     | 145000                | 32500   | 129000              | 29000  | 4500            | 5600 | 0.36 | 1.00                     | 1.9 | 0.67                  | 2.8 |
| 22309LB          | 22309LBK     | 178000                | 40000   | 158000              | 35500  | 3800            | 4800 | 0.36 | 1.00                     | 1.9 | 0.67                  | 2.8 |
| 22310LB          | 22310LBK     | 214000                | 48000   | 189000              | 42500  | 3600            | 4300 | 0.36 | 1.00                     | 1.9 | 0.67                  | 2.8 |
| 22311LB          | 22311LBK     | 254000                | 57000   | 222000              | 50000  | 3200            | 4000 | 0.36 | 1.00                     | 1.9 | 0.67                  | 2.8 |
| 22312LB          | 22312LBK     | 302000                | 68000   | 260000              | 58500  | 3000            | 3800 | 0.35 | 1.00                     | 1.9 | 0.67                  | 2.8 |
| 22313LB          | 22313LBK     | 356000                | 80000   | 291000              | 65500  | 2600            | 3400 | 0.34 | 1.00                     | 2.0 | 0.67                  | 3.0 |
| 22314LB          | 22314LBK     | 378000                | 85000   | 320000              | 72000  | 2400            | 3200 | 0.34 | 1.00                     | 2.0 | 0.67                  | 3.0 |
| 22315LB          | 22315LBK     | 436000                | 98000   | 369000              | 83000  | 2200            | 3000 | 0.34 | 1.00                     | 2.0 | 0.67                  | 3.0 |
| 22316LB          | 22316LBK     | 498000                | 112000  | 414000              | 93000  | 2000            | 2800 | 0.34 | 1.00                     | 2.0 | 0.67                  | 3.0 |
| 22317LB          | 22317LBK     | 543000                | 122000  | 454000              | 102000 | 1900            | 2600 | 0.33 | 1.00                     | 2.0 | 0.67                  | 3.0 |
| 22318LB          | 22318LBK     | 623000                | 140000  | 507000              | 114000 | 1800            | 2400 | 0.33 | 1.00                     | 2.0 | 0.67                  | 3.0 |
| 22319LB          | 22319LBK     | 681000                | 153000  | 556000              | 125000 | 1800            | 2400 | 0.33 | 1.00                     | 2.0 | 0.67                  | 3.0 |
| 22320LB          | 22320LBK     | 814000                | 183000  | 649000              | 146000 | 1700            | 2200 | 0.34 | 1.00                     | 2.0 | 0.67                  | 3.0 |
| 22322LB          | 22322LBK     | 1050000               | 236000  | 801000              | 180000 | 1600            | 2000 | 0.33 | 1.00                     | 2.1 | 0.67                  | 3.1 |
| 22324LB          | 22324LBK     | 1160000               | 260000  | 907000              | 204000 | 1400            | 1800 | 0.33 | 1.00                     | 2.1 | 0.67                  | 3.1 |
| 22326LB          | 22326LBK     | 1360000               | 305000  | 1050000             | 236000 | 1300            | 1700 | 0.33 | 1.00                     | 2.1 | 0.67                  | 3.1 |
| 22328LB          | 22328LBK     | 1600000               | 360000  | 1220000             | 275000 | 1100            | 1500 | 0.34 | 1.00                     | 2.0 | 0.67                  | 3.0 |
| 22330LB          | 22330LBK     | 1800000               | 405000  | 1380000             | 310000 | 1000            | 1400 | 0.33 | 1.00                     | 2.0 | 0.67                  | 3.0 |
| 22332LB          | 22332LBK     | 1890000               | 425000  | 1450000             | 325000 | 950             | 1300 | 0.37 | 1.00                     | 1.8 | 0.67                  | 2.7 |
| 22334LB          | 22334LBK     | 2110000               | 475000  | 1600000             | 360000 | 950             | 1300 | 0.37 | 1.00                     | 1.8 | 0.67                  | 2.7 |
| 22336LB          | 22336LBK     | 2360000               | 530000  | 1730000             | 390000 | 900             | 1200 | 0.37 | 1.00                     | 1.8 | 0.67                  | 2.7 |
| 22338LB          | 22338LBK     | 2540000               | 570000  | 1850000             | 415000 | 850             | 1100 | 0.37 | 1.00                     | 1.8 | 0.67                  | 2.7 |
| 22340LB          | 22340LBK     | 2800000               | 630000  | 2070000             | 465000 | 850             | 1100 | 0.36 | 1.00                     | 1.9 | 0.67                  | 2.8 |
| 22344LB          | 22344LBK     | 3340000               | 750000  | 2360000             | 530000 | 700             | 900  | 0.35 | 1.00                     | 2.0 | 0.67                  | 2.9 |
| 22348LB          | 22348LBK     | 3800000               | 854500  | 2600000             | 584500 | 670             | 850  | 0.32 | 1.00                     | 2.1 | 0.67                  | 3.2 |
| 22356LB          | 22356LBK     | 5150000               | 1157800 | 3500000             | 787000 | 560             | 710  | 0.31 | 1.00                     | 2.1 | 0.67                  | 3.2 |

If the load P is greater than .25C, consult Rexnord Bearing Division.

Speed limits are based on the following:

1. Negligible seal torque (e.g., non-contact seals)
2. Proper operating internal clearance.
3. Adequate lubrication and maintenance (special lubricants and/or more frequent relubrication may be required).
4. Normal room temperature environment and no extraneous heat sources, such that bearing operating temperature does not exceed 100°C (212°F).
5. Equivalent radial load not greater than 7% of C.
6. Axial load, if any, not greater than 20% of radial load.

**Table 4 – Series 23000LB, 23000LBK Load Ratings and Speed Limits**

| Bearing Number   |              | Co Static Load Rating |         | C Basic Dynamic Load Rating |         | Speed Limit, RPM |      | Fa/Fr ≤ e |      |     | Fa/Fr > e |     |
|------------------|--------------|-----------------------|---------|-----------------------------|---------|------------------|------|-----------|------|-----|-----------|-----|
| Cylindrical Bore | Tapered Bore | newtons               | pounds  | newtons                     | pounds  | Grease           | Oil  | e         | X1   | Y1  | X2        | Y2  |
| 23044LB          | 23044LBK     | 1980000               | 445100  | 1090000                     | 245000  | 950              | 1200 | 0.24      | 1.00 | 2.8 | 0.67      | 4.1 |
| 23048LB          | 23048LBK     | 2180000               | 490000  | 1160000                     | 260000  | 950              | 1100 | 0.25      | 1.00 | 2.7 | 0.67      | 4.1 |
| 23052LB          | 23052LBK     | 2580000               | 580000  | 1430000                     | 321500  | 800              | 950  | 0.25      | 1.00 | 2.7 | 0.67      | 4.1 |
| 23056LB          | 23056LBK     | 2980000               | 670000  | 1530000                     | 345000  | 800              | 950  | 0.25      | 1.00 | 2.7 | 0.67      | 4.1 |
| 23060LB          | 23060LBK     | 3700000               | 832000  | 1920000                     | 431600  | 670              | 850  | 0.24      | 1.00 | 2.8 | 0.67      | 4.2 |
| 23064LB          | 23064LBK     | 3850000               | 865500  | 1960000                     | 440600  | 630              | 800  | 0.24      | 1.00 | 2.8 | 0.67      | 4.2 |
| 23068LB          | 23068LBK     | 4400000               | 989200  | 2280000                     | 512600  | 560              | 710  | 0.24      | 1.00 | 2.8 | 0.67      | 4.2 |
| 23072LB          | 23072LBK     | 4700000               | 1056600 | 2390000                     | 537500  | 530              | 670  | 0.24      | 1.00 | 2.8 | 0.67      | 4.2 |
| 23076LB          | 23076LBK     | 5100000               | 1146500 | 2500000                     | 562000  | 530              | 630  | 0.22      | 1.00 | 3.0 | 0.67      | 4.5 |
| 23080LB          | 23080LBK     | 5900000               | 1326500 | 2970000                     | 668000  | 480              | 600  | 0.23      | 1.00 | 3.0 | 0.67      | 4.4 |
| 23084LB          | 23084LBK     | 5850000               | 1315200 | 2910000                     | 654200  | 450              | 560  | 0.23      | 1.00 | 2.9 | 0.67      | 4.3 |
| 23088LB          | 23088LBK     | 6350000               | 1427500 | 3150000                     | 708200  | 430              | 530  | 0.23      | 1.00 | 2.9 | 0.67      | 4.3 |
| 23092LB          | 23092LBK     | 7100000               | 1596200 | 3450000                     | 775600  | 400              | 500  | 0.22      | 1.00 | 3.1 | 0.67      | 4.6 |
| 23096LB          | 23096LBK     | 7950000               | 1787200 | 3800000                     | 854300  | 400              | 480  | 0.22      | 1.00 | 3.1 | 0.67      | 4.6 |
| 230530LB         | 230530LBK    | 9200000               | 2068200 | 4400000                     | 989200  | 340              | 430  | 0.22      | 1.00 | 3.1 | 0.67      | 4.6 |
| 230560LB         | 230560LBK    | 10700000              | 2405500 | 5000000                     | 1124000 | 320              | 400  | 0.22      | 1.00 | 3.0 | 0.67      | 4.5 |
| 230600LB         | 230600LBK    | 12200000              | 2743000 | 5450000                     | 1225200 | 300              | 360  | 0.21      | 1.00 | 3.3 | 0.67      | 4.8 |
| 230630LB         | 230630LBK    | 12700000              | 2855000 | 5900000                     | 1326400 | 280              | 340  | 0.22      | 1.00 | 3.1 | 0.67      | 4.7 |

If the load P is greater than .25C, consult Rexnord Bearing Division.

Speed limits are based on the following:

1. Negligible seal torque (e.g., non-contact seals)
2. Proper operating internal clearance.
3. Adequate lubrication and maintenance (special lubricants and/or more frequent relubrication may be required).
4. Normal room temperature environment and no extraneous heat sources, such that bearing operating temperature does not exceed 100°C (212°F).
5. Equivalent radial load not greater than 7% of C.
6. Axial load, if any, not greater than 20% of radial load.

**Table 5 – Series 23100LB, 23100LBK Load Ratings and Speed Limits**

| Bearing Number   |              | Co Static Load Rating |         | C Basic Dynamic Load Rating |         | Speed Limit, RPM |     | Fa/Fr ≤ e |      |     | Fa/Fr > e |     |
|------------------|--------------|-----------------------|---------|-----------------------------|---------|------------------|-----|-----------|------|-----|-----------|-----|
| Cylindrical Bore | Tapered Bore | newtons               | pounds  | newtons                     | pounds  | Grease           | Oil | e         | X1   | Y1  | X2        | Y2  |
| 23144LB          | 23144LBK     | 2710000               | 609200  | 1570000                     | 353000  | 710              | 950 | 0.30      | 1.00 | 2.2 | 0.67      | 3.3 |
| 23148LB          | 23148LBK     | 3100000               | 697000  | 1790000                     | 402500  | 670              | 850 | 0.30      | 1.00 | 2.2 | 0.67      | 3.3 |
| 23152LB          | 23152LBK     | 3750000               | 843000  | 2160000                     | 485500  | 600              | 800 | 0.32      | 1.00 | 2.1 | 0.67      | 3.2 |
| 23156LB          | 23156LBK     | 4000000               | 899300  | 2230000                     | 501500  | 560              | 750 | 0.30      | 1.00 | 2.2 | 0.67      | 3.3 |
| 23160LB          | 23160LBK     | 4800000               | 1079000 | 2670000                     | 600500  | 500              | 670 | 0.31      | 1.00 | 2.2 | 0.67      | 3.3 |
| 23164LB          | 23164LBK     | 5500000               | 1236500 | 3050000                     | 685700  | 480              | 600 | 0.31      | 1.00 | 2.1 | 0.67      | 3.2 |
| 23168LB          | 23168LBK     | 6600000               | 1483800 | 3600000                     | 809500  | 430              | 560 | 0.31      | 1.00 | 2.1 | 0.67      | 3.2 |
| 23172LB          | 23172LBK     | 7100000               | 1596200 | 3800000                     | 854500  | 400              | 530 | 0.31      | 1.00 | 2.2 | 0.67      | 3.2 |
| 23176LB          | 23176LBK     | 7600000               | 1708500 | 4000000                     | 899200  | 400              | 500 | 0.30      | 1.00 | 2.2 | 0.67      | 3.3 |
| 23180LB          | 23180LBK     | 7900000               | 1776000 | 4150000                     | 933000  | 380              | 480 | 0.29      | 1.00 | 2.3 | 0.67      | 3.4 |
| 23184LB          | 23184LBK     | 9400000               | 2113200 | 5000000                     | 1124000 | 340              | 450 | 0.31      | 1.00 | 2.2 | 0.67      | 3.3 |
| 23188LB          | 23188LBK     | 10300000              | 2315500 | 5300000                     | 1191500 | 320              | 430 | 0.30      | 1.00 | 2.2 | 0.67      | 3.3 |
| 23192LB          | 23192LBK     | 10900000              | 2450500 | 5700000                     | 1281400 | 300              | 400 | 0.31      | 1.00 | 2.2 | 0.67      | 3.3 |
| 23196LB          | 23196LBK     | 11700000              | 2630500 | 6050000                     | 1360100 | 300              | 380 | 0.31      | 1.00 | 2.2 | 0.67      | 3.3 |
| 231530LB         | 231530LBK    | 14100000              | 3169800 | 7150000                     | 1607400 | 260              | 340 | 0.30      | 1.00 | 2.2 | 0.67      | 3.3 |
| 231560LB         | 231560LBK    | 15500000              | 3484500 | 7850000                     | 1764800 | 240              | 320 | 0.30      | 1.00 | 2.3 | 0.67      | 3.4 |
| 231600LB         | 231600LBK    | 17500000              | 3934000 | 8750000                     | 1967000 | 220              | 280 | 0.30      | 1.00 | 2.3 | 0.67      | 3.4 |
| 231630LB         | 231630LBK    | 19400000              | 4361100 | 9600000                     | 2158100 | 200              | 260 | 0.30      | 1.00 | 2.3 | 0.67      | 3.4 |

If the load P is greater than .25C, consult Rexnord Bearing Division.

Speed limits are based on the following:

1. Negligible seal torque (e.g., non-contact seals)
2. Proper operating internal clearance.
3. Adequate lubrication and maintenance (special lubricants and/or more frequent relubrication may be required).
4. Normal room temperature environment and no extraneous heat sources, such that bearing operating temperature does not exceed 100°C (212°F).
5. Equivalent radial load not greater than 7% of C.
6. Axial load, if any, not greater than 20% of radial load.

**Table 6 – Series 23200LB, 23200LBK Load Ratings and Speed Limits**

| Bearing Number   |              | Co Static Load Rating |         | C Basic Dynamic Load Rating |         | Speed Limit, RPM |     | Fa/Fr ≤ e |      |     | Fa/Fr > e |     |
|------------------|--------------|-----------------------|---------|-----------------------------|---------|------------------|-----|-----------|------|-----|-----------|-----|
| Cylindrical Bore | Tapered Bore | newtons               | pounds  | newtons                     | pounds  | Grease           | Oil | e         | X1   | Y1  | X2        | Y2  |
| 23244LB          | 23244LBK     | 3400000               | 764500  | 2020000                     | 454000  | 670              | 900 | 0.35      | 1.00 | 1.9 | 0.67      | 2.9 |
| 23248LB          | 23248LBK     | 4050000               | 910500  | 2440000                     | 548500  | 630              | 800 | 0.37      | 1.00 | 1.8 | 0.67      | 2.7 |
| 23252LB          | 23252LBK     | 4550000               | 1022900 | 2740000                     | 616000  | 560              | 750 | 0.37      | 1.00 | 1.8 | 0.67      | 2.7 |
| 23256LB          | 23256LBK     | 4900000               | 1101600 | 2880000                     | 647500  | 530              | 670 | 0.35      | 1.00 | 1.9 | 0.67      | 2.9 |
| 23260LB          | 23260LBK     | 5900000               | 1326400 | 3400000                     | 764500  | 480              | 630 | 0.35      | 1.00 | 1.9 | 0.67      | 2.9 |
| 23264LB          | 23264LBK     | 6900000               | 1551200 | 3900000                     | 877000  | 450              | 600 | 0.36      | 1.00 | 1.9 | 0.67      | 2.8 |
| 23268LB          | 23268LBK     | 7800000               | 1753500 | 4400000                     | 989200  | 400              | 530 | 0.36      | 1.00 | 1.9 | 0.67      | 2.8 |
| 23272LB          | 23272LBK     | 8550000               | 1922100 | 4800000                     | 1079000 | 380              | 500 | 0.36      | 1.00 | 1.9 | 0.67      | 2.8 |
| 23276LB          | 23276LBK     | 9200000               | 2068500 | 5150000                     | 1157800 | 360              | 480 | 0.35      | 1.00 | 1.9 | 0.67      | 2.9 |
| 23280LB          | 23280LBK     | 10400000              | 2338000 | 5800000                     | 1303900 | 340              | 450 | 0.36      | 1.00 | 1.9 | 0.67      | 2.8 |
| 23284LB          | 23284LBK     | 11700000              | 2630500 | 6450000                     | 1450000 | 320              | 430 | 0.35      | 1.00 | 1.9 | 0.67      | 2.9 |
| 23288LB          | 23288LBK     | 12800000              | 2877500 | 6900000                     | 1551200 | 300              | 400 | 0.35      | 1.00 | 1.9 | 0.67      | 2.9 |
| 23292LB          | 23292LBK     | 13700000              | 3080000 | 7350000                     | 1652400 | 280              | 380 | 0.36      | 1.00 | 1.9 | 0.67      | 2.8 |
| 23296LB          | 23296LBK     | 14400000              | 3237500 | 7850000                     | 1764800 | 260              | 360 | 0.36      | 1.00 | 1.9 | 0.67      | 2.8 |

If the load P is greater than .25C, consult Rexnord Bearing Division.

Speed limits are based on the following:

1. Negligible seal torque (e.g., non-contact seals)
2. Proper operating internal clearance.
3. Adequate lubrication and maintenance (special lubricants and/or more frequent relubrication may be required).
4. Normal room temperature environment and no extraneous heat sources, such that bearing operating temperature does not exceed 100°C (212°F).
5. Equivalent radial load not greater than 7% of C.
6. Axial load, if any, not greater than 20% of radial load.

**Table 7 – Series 23900LB, 23900LBK Load Ratings and Speed Limits**

| Bearing Number   |              | Co Static Load Rating |        | C Basic Dynamic Load Rating |        | Speed Limit, RPM |      | Fa/Fr ≤ e |      |     | Fa/Fr > e |     |
|------------------|--------------|-----------------------|--------|-----------------------------|--------|------------------|------|-----------|------|-----|-----------|-----|
| Cylindrical Bore | Tapered Bore | newtons               | pounds | newtons                     | pounds | Grease           | Oil  | e         | X1   | Y1  | X2        | Y2  |
| 23944LB          | 23944LBK     | 1240000               | 279000 | 625000                      | 140500 | 1000             | 1300 | 0.18      | 1.00 | 3.8 | 0.67      | 5.7 |
| 23948LB          | 23948LBK     | 1300000               | 292500 | 635000                      | 143000 | 950              | 1200 | 0.17      | 1.00 | 4.0 | 0.67      | 6.0 |

If the load P is greater than .25C, consult Rexnord Bearing Division.

Speed limits are based on the following:

1. Negligible seal torque (e.g., non-contact seals)
2. Proper operating internal clearance.
3. Adequate lubrication and maintenance (special lubricants and/or more frequent relubrication may be required).
4. Normal room temperature environment and no extraneous heat sources, such that bearing operating temperature does not exceed 100°C (212°F).
5. Equivalent radial load not greater than 7% of C.
6. Axial load, if any, not greater than 20% of radial load.

## Cylindrical Bore Bearings - Radial Clearances

| Series 22200, 22300, 23000,<br>23100, 23200 |           | Radial Internal Clearance, Inches |        |        |        |            |        |        |        |
|---|-----------|-----------------------------------|--------|--------|--------|------------|--------|--------|--------|
|   |           | C2                                |        | C0     |        | C3 (basic) |        | C4     |        |
| Basic Size                                  | Bore (mm) | Min                               | Max    | Min    | Max    | Min        | Max    | Min    | Max    |
| 08  | 40        | 0.0006                            | 0.0012 | 0.0012 | 0.0018 | 0.0018     | 0.0024 | 0.0024 | 0.0032 |
| 09  | 45        | 0.0008                            | 0.0014 | 0.0014 | 0.0022 | 0.0022     | 0.0030 | 0.0030 | 0.0039 |
| 10  | 50        |                                   |        |        |        |            |        |        |        |
| 11  | 55        | 0.0010                            | 0.0017 | 0.0017 | 0.0026 | 0.0026     | 0.0036 | 0.0036 | 0.0047 |
| 12  | 60        |                                   |        |        |        |            |        |        |        |
| 13  | 65        |                                   |        |        |        |            |        |        |        |
| 14  | 70        | 0.0012                            | 0.0020 | 0.0020 | 0.0032 | 0.0032     | 0.0044 | 0.0044 | 0.0057 |
| 15  | 75        |                                   |        |        |        |            |        |        |        |
| 16  | 80        |                                   |        |        |        |            |        |        |        |
| 17  | 85        |                                   |        |        |        |            |        |        |        |
| 18  | 90        | 0.0014                            | 0.0025 | 0.0025 | 0.0039 | 0.0039     | 0.0053 | 0.0053 | 0.0071 |
| 19  | 95        |                                   |        |        |        |            |        |        |        |
| 20  | 100       |                                   |        |        |        |            |        |        |        |
| 22  | 110       |                                   |        |        |        |            |        |        |        |
| 24  | 120       | 0.0017                            | 0.0031 | 0.0031 | 0.0048 | 0.0048     | 0.0064 | 0.0064 | 0.0083 |
| 26  | 130       |                                   |        |        |        |            |        |        |        |
| 28  | 140       | 0.0020                            | 0.0038 | 0.0038 | 0.0057 | 0.0057     | 0.0075 | 0.0075 | 0.0095 |
| 30  | 150       |                                   |        |        |        |            |        |        |        |
| 32  | 160       | 0.0024                            | 0.0043 | 0.0043 | 0.0065 | 0.0065     | 0.0087 | 0.0087 | 0.0110 |
| 34  | 170       |                                   |        |        |        |            |        |        |        |
| 36  | 180       | 0.0026                            | 0.0047 | 0.0047 | 0.0071 | 0.0071     | 0.0095 | 0.0095 | 0.0122 |
| 38  | 190       |                                   |        |        |        |            |        |        |        |
| 40  | 200       | 0.0028                            | 0.0051 | 0.0051 | 0.0079 | 0.0079     | 0.0103 | 0.0103 | 0.0133 |
| 44  | 220       |                                   |        |        |        |            |        |        |        |
| 48  | 240       | 0.0032                            | 0.0055 | 0.0055 | 0.0087 | 0.0087     | 0.0114 | 0.0114 | 0.0149 |
| 52  | 260       |                                   |        |        |        |            |        |        |        |
| 56  | 280       | 0.0036                            | 0.0059 | 0.0059 | 0.0095 | 0.0095     | 0.0126 | 0.0126 | 0.0165 |
| 60  | 300       |                                   |        |        |        |            |        |        |        |
| 64  | 320       | 0.0039                            | 0.0067 | 0.0067 | 0.0103 | 0.0103     | 0.0138 | 0.0138 | 0.0180 |
| 68  | 340       |                                   |        |        |        |            |        |        |        |
| 72  | 360       | 0.0044                            | 0.0075 | 0.0075 | 0.0110 | 0.0110     | 0.0145 | 0.0145 | 0.0197 |
| 76  | 380       |                                   |        |        |        |            |        |        |        |
| 80  | 400       | 0.0047                            | 0.0079 | 0.0079 | 0.0122 | 0.0122     | 0.0161 | 0.0161 | 0.0217 |
| 84  | 420       |                                   |        |        |        |            |        |        |        |
| 88  | 440       | 0.0051                            | 0.0087 | 0.0087 | 0.0134 | 0.0134     | 0.0177 | 0.0177 | 0.0236 |
| 92  | 460       |                                   |        |        |        |            |        |        |        |
| 96  | 480       | 0.0055                            | 0.0094 | 0.0094 | 0.0146 | 0.0146     | 0.0197 | 0.0197 | 0.0260 |
|   | 530       |                                   |        |        |        |            |        |        |        |
|   | 560       | 0.0055                            | 0.0102 | 0.0102 | 0.0161 | 0.0161     | 0.0217 | 0.0217 | 0.0283 |
|   | 600       |                                   |        |        |        |            |        |        |        |
|   | 630       | 0.0059                            | 0.0110 | 0.0110 | 0.0173 | 0.0173     | 0.0236 | 0.0236 | 0.0307 |
|   |           |                                   |        |        |        |            |        |        |        |
|   |           | 0.0067                            | 0.0122 | 0.0122 | 0.0189 | 0.0189     | 0.0256 | 0.0256 | 0.0335 |
|   |           |                                   |        |        |        |            |        |        |        |

C2 = Internal clearance less than C0

C0 = Internal clearance

C3 = Internal clearance greater than C0

C4 = Internal clearance greater than C3

### Tapered Bore Bearings - Radial Clearances

| Series 22200, 22300, 23000,<br>23100, 23200 |           | Radial Internal Clearance, Inches |        |        |        |            |        |        |        |
|---|-----------|-----------------------------------|--------|--------|--------|------------|--------|--------|--------|
|   |           | C2                                |        | C0     |        | C3 (basic) |        | C4     |        |
| Basic Size                                  | Bore (mm) | Min                               | Max    | Min    | Max    | Min        | Max    | Min    | Max    |
| 08  | 40        | 0.0008                            | 0.0014 | 0.0014 | 0.0020 | 0.0020     | 0.0026 | 0.0026 | 0.0033 |
| 09  | 45        | 0.0012                            | 0.0018 | 0.0018 | 0.0024 | 0.0024     | 0.0031 | 0.0031 | 0.0039 |
| 10  | 50        |                                   |        |        |        |            |        |        |        |
| 11  | 55        | 0.0014                            | 0.0022 | 0.0022 | 0.0030 | 0.0030     | 0.0037 | 0.0037 | 0.0047 |
| 12  | 60        |                                   |        |        |        |            |        |        |        |
| 13  | 65        |                                   |        |        |        |            |        |        |        |
| 14  | 70        | 0.0018                            | 0.0028 | 0.0028 | 0.0037 | 0.0037     | 0.0047 | 0.0047 | 0.0059 |
| 15  | 75        |                                   |        |        |        |            |        |        |        |
| 16  | 80        |                                   |        |        |        |            |        |        |        |
| 17  | 85        | 0.0020                            | 0.0030 | 0.0030 | 0.0043 | 0.0043     | 0.0055 | 0.0055 | 0.0071 |
| 18  | 90        |                                   |        |        |        |            |        |        |        |
| 19  | 95        |                                   |        |        |        |            |        |        |        |
| 20  | 100       | 0.0025                            | 0.0039 | 0.0039 | 0.0053 | 0.0053     | 0.0067 | 0.0067 | 0.0087 |
| 22  | 110       |                                   |        |        |        |            |        |        |        |
| 24  | 120       | 0.0030                            | 0.0047 | 0.0047 | 0.0063 | 0.0063     | 0.0079 | 0.0079 | 0.0102 |
| 26  | 130       |                                   |        |        |        |            |        |        |        |
| 28  | 140       | 0.0033                            | 0.0051 | 0.0051 | 0.0071 | 0.0071     | 0.0091 | 0.0091 | 0.0118 |
| 30  | 150       |                                   |        |        |        |            |        |        |        |
| 32  | 160       | 0.0037                            | 0.0055 | 0.0055 | 0.0079 | 0.0079     | 0.0102 | 0.0102 | 0.0134 |
| 34  | 170       |                                   |        |        |        |            |        |        |        |
| 36  | 180       | 0.0041                            | 0.0063 | 0.0063 | 0.0087 | 0.0087     | 0.0114 | 0.0114 | 0.0146 |
| 38  | 190       |                                   |        |        |        |            |        |        |        |
| 40  | 200       | 0.0047                            | 0.0071 | 0.0071 | 0.0098 | 0.0098     | 0.0126 | 0.0126 | 0.0161 |
| 44  | 220       |                                   |        |        |        |            |        |        |        |
| 48  | 240       | 0.0053                            | 0.0079 | 0.0079 | 0.0106 | 0.0106     | 0.0138 | 0.0138 | 0.0177 |
| 52  | 260       |                                   |        |        |        |            |        |        |        |
| 56  | 280       | 0.0059                            | 0.0087 | 0.0087 | 0.0118 | 0.0118     | 0.0154 | 0.0154 | 0.0193 |
| 60  | 300       |                                   |        |        |        |            |        |        |        |
| 64  | 320       | 0.0065                            | 0.0094 | 0.0094 | 0.0130 | 0.0130     | 0.0169 | 0.0169 | 0.0213 |
| 68  | 340       |                                   |        |        |        |            |        |        |        |
| 72  | 360       | 0.0075                            | 0.0106 | 0.0106 | 0.0142 | 0.0142     | 0.0185 | 0.0185 | 0.0232 |
| 76  | 380       |                                   |        |        |        |            |        |        |        |
| 80  | 400       | 0.0083                            | 0.0118 | 0.0118 | 0.0157 | 0.0157     | 0.0205 | 0.0205 | 0.0256 |
| 84  | 420       |                                   |        |        |        |            |        |        |        |
| 88  | 440       | 0.0091                            | 0.0130 | 0.0130 | 0.0173 | 0.0173     | 0.0224 | 0.0224 | 0.0283 |
| 92  | 460       |                                   |        |        |        |            |        |        |        |
| 96  | 480       | 0.0102                            | 0.0146 | 0.0146 | 0.0193 | 0.0193     | 0.0248 | 0.0248 | 0.0311 |
|   | 530       |                                   |        |        |        |            |        |        |        |
|   | 560       | 0.0114                            | 0.0161 | 0.0161 | 0.0213 | 0.0213     | 0.0268 | 0.0268 | 0.0343 |
|   | 600       |                                   |        |        |        |            |        |        |        |
|   | 630       | 0.0126                            | 0.0181 | 0.0181 | 0.0236 | 0.0236     | 0.0299 | 0.0299 | 0.0386 |
|   |           |                                   |        |        |        |            |        |        |        |

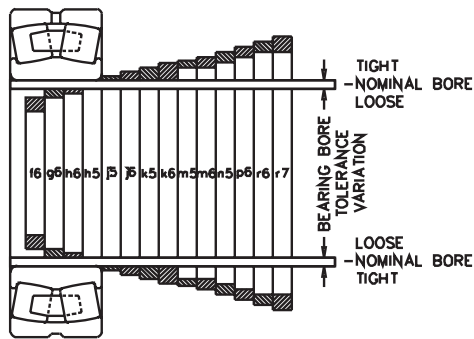
C2 = Internal clearance less than C0

C0 = Internal clearance

C3 = Internal clearance greater than C0

C4 = Internal clearance greater than C3

# Shaft Bearing Seat Diameters



Bearing bore tolerances are in accord with the system of tolerancing established by the International Standards Organization (ISO) and adopted by the American Bearing Manufacturers Association (ABMA) and the American National Standards Institute (ANSI).

A system of limits and fits has been established by ISO for shafts. A portion of this system has been adopted by ABMA to provide flexibility in selecting shaft fits. Shaft fits are designated by a lower case letter and a number, such as h6. The letter indicates the location of the shaft tolerance limits with respect to the nominal bearing bore. The number indicates the size of the tolerance zone.

Shaft fits recommended for various types of applications are listed in the table at right. A graphic relationship of various shaft fits is illustrated in the figure at the left.

Many factors influence the proper fit on the bearing inner ring on a shaft. The magnitude of the load and its direction with respect to bearing inner or outer rings are generally the first factors considered in shaft fit selection. The effects of other factors such as vibration, shock, temperature, speed, etc. are of secondary importance but sometimes need to be considered. Where assembly or disassembly requirements are of prime importance special shaft fits may be required.

Appropriate diameter shafting is determined (as shown) from the tables below.

## Class of Fit and Shaft Diameters

| Bearing Series<br>22200,<br>22300,<br>23000 | Nominal bearing bore and shaft diameter |         | Bearing bore tolerance# | Bearing/Shaft diameter fits* |         |            |                 |            |         |            |         |            |         |        |        |        |
|---|---|---------|-------------------------|------------------------------|---------|------------|-----------------|------------|---------|------------|---------|------------|---------|--------|--------|--------|
|   |   |         |                         | f6                           |         | g6         |                 | h6         |         | h5         |         | j5         |         |        |        |        |
|   |   |         |                         | Tolerance                    |         | Tolerance  |                 | Tolerance  |         | Tolerance  |         | Tolerance  |         |        |        |        |
| Basic Size                                  | inches                                  | mm      | Fit                     | Shaft Dia.                   | Fit     | Shaft Dia. | Fit             | Shaft Dia. | Fit     | Shaft Dia. | Fit     | Shaft Dia. |         |        |        |        |
| 08  | 1.5748                                  | 40.000  | +0.0000 -0.0005         | .0005L                       | -0.0010 | .0001T     | -0.0004         | .0005T     | 0.0000  | .0005T     | 0.0000  | .0007T     | 0.0002  |        |        |        |
|   |   |         |                         | .0016L                       | -0.0016 | .0010L     | -0.0010         | .0006L     | -0.0006 | .0004L     | -0.0004 | .0002L     | -0.0002 |        |        |        |
|   |   |         |                         | 13L                          | -25     | 3T         | -9              | 12T        | +0      | 18T        | +0      | 18T        | 6       |        |        |        |
| 10  | 1.9685                                  | 50.000  |                         | 41L                          | -41     | 25L        | -25             | 16L        | -16     | 11L        | -11     | 5L         | -5      |        |        |        |
| 11  | 2.1654                                  | 55.000  | +0.0000 -0.0006         | .0006L                       | -0.0012 | .0002T     | -0.0004         | .0006T     | 0.0000  | .0006T     | 0.0000  | .0008T     | 0.0002  |        |        |        |
|   |   |         |                         | .0019L                       | -0.0019 | .0011L     | -0.0011         | .0007L     | -0.0007 | .0005L     | -0.0005 | .0003L     | -0.0003 |        |        |        |
|   |   |         |                         | 15L                          | -30     | 5T         | -10             | 15T        | +0      | 15T        | +0      | 21T        | 6       |        |        |        |
|   |   |         |                         | 49L                          | -49     | 29L        | -29             | 19L        | -19     | 13L        | -13     | 7L         | -7      |        |        |        |
|   |   |         |                         | 12                           | 2.3622  | 60.000     |                 |            |         |            |         |            |         |        |        |        |
|   |   |         |                         | 13                           | 2.5591  | 65.000     |                 |            |         |            |         |            |         |        |        |        |
| 14  | 2.7559                                  | 70.000  | +0 -15                  | 15L                          | -30     | 5T         | -10             | 15T        | +0      | 15T        | +0      | 21T        | 6       |        |        |        |
|   |   |         |                         | 49L                          | -49     | 29L        | -29             | 19L        | -19     | 13L        | -13     | 7L         | -7      |        |        |        |
|   |   |         |                         | 14                           | 2.9528  | 75.000     |                 |            |         |            |         |            |         |        |        |        |
|   |   |         |                         | 15                           | 2.9528  | 75.000     |                 |            |         |            |         |            |         |        |        |        |
|   |   |         |                         | 16                           | 3.1496  | 80.000     |                 |            |         |            |         |            |         |        |        |        |
|   |   |         |                         | 17                           | 3.3465  | 85.000     | +0.0000 -0.0008 | .0006L     | -0.0014 | .0003T     | -0.0005 | .0008T     | 0.0000  | .0008T | 0.0000 | .0010T |
| .0023L                                      | -0.0023                                 | .0014L  | -0.0014                 |                              |         |            |                 | .0009L     | -0.0009 | .0006L     | -0.0006 | .0004L     | -0.0004 |        |        |        |
| 16L   | -36                                     | 8T      | -12                     |                              |         |            |                 | 20T        | +0      | 20T        | +0      | 26T        | 6       |        |        |        |
| 58L   | -58                                     | 34L     | -34                     |                              |         |            |                 | 22L        | -22     | 15L        | -15     | 9L         | -9      |        |        |        |
| 18  | 3.5433                                  | 90.000  |                         |                              |         |            |                 |            |         |            |         |            |         |        |        |        |
| 19  | 3.7402                                  | 95.000  |                         |                              |         |            |                 |            |         |            |         |            |         |        |        |        |
| 20  | 3.9370                                  | 100.000 | +0 -20                  | 16L                          | -36     | 8T         | -12             | 20T        | +0      | 20T        | +0      | 26T        | 6       |        |        |        |
|   |   |         |                         | 58L                          | -58     | 34L        | -34             | 22L        | -22     | 15L        | -15     | 9L         | -9      |        |        |        |
|   |   |         |                         | 22                           | 4.3307  | 110.000    |                 |            |         |            |         |            |         |        |        |        |
|   |   |         |                         | 24                           | 4.7244  | 120.000    |                 |            |         |            |         |            |         |        |        |        |
|   |   |         |                         | 26                           | 5.1181  | 130.000    |                 |            |         |            |         |            |         |        |        |        |
|   |   |         |                         | 28                           | 5.5118  | 140.000    |                 |            |         |            |         |            |         |        |        |        |
| 30  | 5.9055                                  | 150.000 | +0 -25                  | .0006L                       | -0.0016 | .0004T     | -0.0006         | .0010T     | 0.0000  | ....       | ....    | .0013T     | 0.0003  |        |        |        |
|   |   |         |                         | .0026L                       | -0.0026 | .0016L     | -0.0016         | .0010L     | -0.0010 | ....       | ....    | .0005L     | -0.0004 |        |        |        |
|   |   |         |                         | 18L                          | -43     | 11T        | -14             | 25T        | +0      | ....       | ....    | 32T        | 7       |        |        |        |
|   |   |         |                         | 68L                          | -68     | 39L        | -39             | 25L        | -25     | ....       | ....    | 11L        | -11     |        |        |        |
|   |   |         |                         | 32                           | 6.2992  | 160.000    |                 |            |         |            |         |            |         |        |        |        |
|   |   |         |                         | 34                           | 6.6929  | 170.000    |                 |            |         |            |         |            |         |        |        |        |
| 36  | 7.0866                                  | 180.000 | +0.0000 -0.0010         | 18L                          | -43     | 11T        | -14             | 25T        | +0      | ....       | ....    | ....       | ....    |        |        |        |
|   |   |         |                         | 68L                          | -68     | 39L        | -39             | 25L        | -25     | ....       | ....    | ....       | ....    |        |        |        |
|   |   |         |                         | 38                           | 7.4803  | 190.000    |                 |            |         |            |         |            |         |        |        |        |
|   |   |         |                         | 40                           | 7.8740  | 200.000    |                 |            |         |            |         |            |         |        |        |        |
| 44  | 8.6614                                  | 220.000 | +0 -30                  | 20L                          | -50     | 15T        | -15             | 30T        | +0      | ....       | ....    | ....       | ....    |        |        |        |
|   |   |         |                         | 79L                          | -79     | 44L        | -44             | 29L        | -29     | ....       | ....    | ....       | ....    |        |        |        |
|   |   |         |                         | 44                           | 8.6614  | 220.000    |                 |            |         |            |         |            |         |        |        |        |
|   |   |         |                         | 48                           | 9.4488  | 240.000    |                 |            |         |            |         |            |         |        |        |        |
| 52  | 10.2362                                 | 260.000 | +0.0000 -0.0014         | .0008L                       | -0.0022 | .0007T     | -0.0007         | .0014T     | 0.0000  | ....       | ....    | ....       | ....    |        |        |        |
|   |   |         |                         | .0034L                       | -0.0034 | .0019L     | -0.0019         | .0012L     | -0.0012 | ....       | ....    | ....       | ....    |        |        |        |
| 56  | 11.0236                                 | 280.000 | +0 -35                  | 21L                          | -56     | 18T        | -17             | 35T        | +0      | ....       | ....    | ....       | ....    |        |        |        |
|   |   |         |                         | 88L                          | -88     | 49L        | -49             | 32L        | -32     | ....       | ....    | ....       | ....    |        |        |        |
| 60  | 11.811                                  | 300.000 |                         |                              |         |            |                 |            |         |            |         |            |         |        |        |        |

1µm = .001 mm

#The arithmetical mean of the largest and smallest single diameter to be within tolerance shown.

Allowable deviations from mean diameter per ANSI/ABMA STD 20, latest printing."

For additional shaft sizes, please consult Rexnord Bearing Engineering for proper fitting practices.



### Class of Fit Selection

| Operating condition  |                              |   | Examples  | Nominal shaft diameter   |  | Class of fit                           | Remarks   |
|--|------------------------------|---|---|--|--|--|---|
|  |                              |   |   | mm   | inches   |  |   |
| Inner ring stationary in relation to direction of load.                                  | All loads                    | Inner ring has to be easily displaced           | Wheel on stationary shaft   | All diameters  |  | g6                                     |   |
|  |                              | Inner ring does not have to be easily displaced | Tension pulleys and rope sheaves  |  |  | h6                                     |   |
| Direction of load indeterminate or inner ring rotating in relation to direction of load. | Radial load                  |   | Electric apparatus, machine tools, pumps, ventilators, industrial trucks  | <=40<br>40—100<br>100—200  | <=1.57<br>1.57—3.94<br>3.94—7.88   | j6<br>k6<br>m6                         | When greater accuracy is required, use j5, k5 and m5 for j6, k6, and m6 respectively. |
|  | Light load <=0.08C★          |   |   |  |  |  |   |
|  | Normal load >0.08C★ <=0.18C★ |   | Applications in general, electrical motors, turbines pumps, combustion engines, gear transmissions, wood working machines | <=40<br>40—65<br>65—100<br>100—140<br>140—280<br>280—500<br>>500 | <=1.57<br>1.57—2.56<br>2.56—3.94<br>3.94—5.52<br>5.52—11.10<br>11.10—19.7<br>>19.7 | k5<br>m5<br>m6<br>n6<br>p6<br>r6<br>r7 |   |
|  | Heavy load >0.18C★           |   | Journal boxes for locomotives & other heavyrail vehicles, traction motors   | <=40<br>40—65<br>65—100<br>100—140<br>140—200<br>>200            | <=1.57<br>1.57—2.56<br>2.56—3.94<br>3.94—5.52<br>5.52—7.88<br>>7.88                | m5<br>m6<br>n6<br>p6<br>r6<br>r7       |   |

### Bearing/Shafts Diameter Fits\*

| j6        |            | k5        |            | k6        |            | m5        |            | m6        |            | n6        |            | p6        |            | r6        |            |
|-----------|------------|-----------|------------|-----------|------------|-----------|------------|-----------|------------|-----------|------------|-----------|------------|-----------|------------|
| Tolerance |            | Tolerance |            | Tolerance |            | Tolerance |            | Tolerance |            | Tolerance |            | Tolerance |            | Tolerance |            |
| Fit       | Shaft Dia. | Fit       | Shaft Dia. | Fit       | Shaft Dia. | Fit       | Shaft Dia. | Fit       | Shaft Dia. | Fit       | Shaft Dia. | Fit       | Shaft Dia. | Fit       | Shaft Dia. |
| .0009T    | 0.0004     | .0010T    | 0.0005     | .0012T    | 0.0007     | .0013T    | 0.0008     | .0015T    | 0.001      | .0018T    | 0.0013     | .         | .          | .         | .          |
| .0002L    | -.0002     | .0001T    | 0.0001     | .0001T    | 0.0001     | .0004T    | 0.0004     | .0004T    | 0.0004     | .0007T    | 0.0007     | .         | .          | .         | .          |
| 23T       | 11         | 25T       | 13         | 30T       | 18         | 32T       | 20         | 37T       | 25         | 45T       | 33         | .         | .          | .         | .          |
| 5L        | -5         | 2T        | 2          | 2T        | 2          | 9T        | 9          | 9T        | 9          | 17T       | 17         | .         | .          | .         | .          |
| .0010T    | 0.0004     | .0012T    | 0.0006     | .0014T    | 0.0008     | .0016T    | 0.001      | .0018T    | 0.0012     | .0021T    | 0.0015     | .0027T    | 0.021      | .         | .          |
| .0003L    | -.0003     | .0001T    | 0.0001     | .0001T    | 0.0001     | .0005T    | 0.0005     | .0005T    | 0.0005     | .0008T    | 0.0008     | .0014T    | 0.0014     | .         | .          |
| 22T       | 12         | 30T       | 15         | 36T       | 21         | 39T       | 24         | 45T       | 30         | 54T       | 39         | 66T       | 51         | .         | .          |
| 7L        | -7         | 2T        | 2          | 2T        | 2          | 11T       | 11         | 11T       | 11         | 20T       | 20         | 32T       | 32         | .         | .          |
| .0013T    | 0.0005     | .0015T    | 0.0007     | .0018T    | 0.001      | .0019T    | 0.0011     | .0022T    | 0.0014     | .0027T    | 0.0019     | .0033T    | 0.0025     | .0037T    | 0.0029     |
| .0004L    | -.0004     | .0001T    | 0.0001     | .0001T    | 0.0001     | .0005T    | 0.0005     | .0005T    | 0.0005     | .0010T    | 0.001      | .0016T    | 0.0016     | .0020T    | 0.002      |
| 33T       | 13         | 38T       | 18         | 45T       | 25         | 48T       | 28         | 55T       | 35         | 65T       | 45         | 79T       | 59         | 93T       | 73         |
| 9L        | -9         | 3T        | 3          | 3T        | 3          | 13T       | 13         | 13T       | 13         | 23T       | 23         | 37T       | 37         | 51T       | 51         |
| .0016T    | 0.006      | .0018T    | 0.0008     | .0021T    | 0.0011     | .0023T    | 0.0013     | .0026T    | 0.0016     | .0032T    | 0.002      | .0038T    | 0.0028     | .0045T    | 0.0035     |
| .0004L    | -.0004     | .0001T    | 0.0001     | .0001T    | 0.0001     | .0006T    | 0.0006     | .0006T    | 0.0006     | .0012T    | 0.0011     | .0018T    | 0.0018     | .0025T    | 0.0025     |
| 39T       | 14         | 46T       | 21         | 53T       | 28         | 58T       | 33         | 65T       | 40         | 77T       | 52         | 93T       | 68         | 115T      | 90         |
| 11L       | -11        | 3T        | 3          | 3T        | 3          | 15T       | 15         | 15T       | 15         | 27T       | 27         | 43T       | 43         | 65T       | 65         |
| .0019T    | 0.0007     | .0022T    | 0.001      | .0026T    | 0.0014     | .0026T    | 0.0014     | .0030T    | 0.0018     | .0038T    | 0.0026     | .0044T    | 0.0032     | .0054T    | 0.0042     |
| .0005L    | -.0005     | .0002T    | 0.0002     | .0002T    | 0.0002     | .0006T    | 0.0006     | .0006T    | 0.0006     | .0014T    | 0.0014     | .0020T    | 0.002      | .0030T    | 0.003      |
| 46T       | 16         | 54T       | 24         | 63T       | 33         | 67T       | 37         | 76T       | 46         | 90T       | 60         | 109T      | 79         | 136T      | 106        |
| 16L       | -16        | 4T        | 4          | 4T        | 4          | 17T       | 17         | 17T       | 17         | 31T       | 31         | 50T       | 50         | 77T       | 77         |
| .0021T    | 0.0007     | .0025T    | 0.0011     | .0028T    | 0.0014     | .0031T    | 0.0017     | .0034T    | 0.002      | .0040T    | 0.0026     | .0048T    | 0.0034     | .0061T    | 0.0047     |
| .0006L    | -.0006     | .0002T    | 0.0002     | .0002T    | 0.0002     | .0008T    | 0.0008     | .0008T    | 0.0008     | .0014T    | 0.0014     | .0022T    | 0.0022     | .0035T    | 0.0035     |
| 51T       | 16         | 62T       | 27         | 71T       | 36         | 78T       | 43         | 87T       | 52         | 101T      | 66         | 123T      | 88         | 161T      | 126        |
| 16L       | -16        | 4T        | 4          | 4T        | 4          | 20T       | 20         | 20T       | 20         | 34T       | 34         | 56T       | 56         | 94T       | 94         |

\* Symbol L indicates a loose or clearance fit; Symbol T indicates a tight or interference fit.

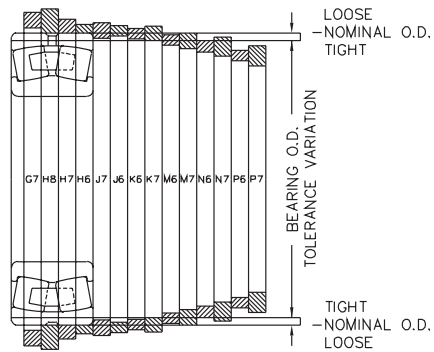
■ For solid steel shafts.

★ = basic load rating of bearing.

The appropriate shaft diameter for any class of fit can be easily determined by applying the shaft tolerance to the nominal shaft diameter. Example: (Using basic bearing size 08 and fit class f6).

|                          |   | inches |         |   | mm     |        |
|--------------------------|---|--------|---------|---|--------|--------|
| Nominal shaft diameter   | = | 1.5748 | 1.5748  | = | 40     | 40     |
| Shaft diameter tolerance | = | -0.001 | -0.0016 | = | -0.025 | -0.041 |
| Resultant shaft diameter | = | 1.5738 | 1.5732  | = | 39.975 | 39.959 |

# Housing Bearing Seat Diameters



Bearing outside diameter tolerances are in accord with the system of tolerancing established by the International Standards Organization (ISO) and adopted by the American Bearing Manufacturers Association (ABMA) and the American National Standards Institute (ANSI).

A system of limits and fits has been established by ISO for shafts. A portion of this system has been adopted by ABMA to provide flexibility in selecting shaft fits. Housing fits are designated by a capital letter and a number, such as H7. The letter indicates the location of the housing bore tolerance limits with respect to the nominal bearing O.D. The number indicates the size of the tolerance zone.

Housing fits recommended for various types of applications are listed in the table at right. A graphic relationship of various housing fits is illustrated in the figure at the left.

The class of fit is determined by nature of loading (oscillating, vibrating, reversing, etc.), axial movement requirements, temperature conditions, housing material and cross section of housing.

Shaft expansion increases bearing center distances and requires all but one bearing on a shaft to be movable axially in the housing. In most bearings the outer rings are subjected to stationary loads which permit a loose housing fit.

Operating temperature may affect the housing fit, as the housing may dissipate heat rapidly and not expand with the outer ring. However, the loose fit must never be greater than necessary. Excessive looseness results in less accurate shaft centering and additional ring deformation under load.

The appropriate housing bores are determined (as shown) from the tables below.

## Class of Fit and Housing Bores

| Bearing Series |     |     |     |            | Nominal bearing O.D. and housing bore |                 | Bearing bore tolerance # | Bearing/Housing diameter fits <sup>A</sup> |           |              |           |              |           |              |           |              |  |
|----------------|-----|-----|-----|------------|---------------------------------------|-----------------|--------------------------|--|-----------|--------------|-----------|--------------|-----------|--------------|-----------|--------------|--|
|                |     |     |     |            |                                       |                 |                          | G7   |           | H8           |           | H7           |           | H6           |           | J7           |  |
| 222, 232       | 223 | 230 | 231 | Basic Size | inches                                | mm              | Tolerance                |  | Tolerance |              | Tolerance |              | Tolerance |              | Tolerance |              |  |
|                |     |     |     |            |                                       |                 | Fit                      | Housing Bore                               | Fit       | Housing Bore | Fit       | Housing Bore | Fit       | Housing Bore | Fit       | Housing Bore |  |
| 09             | ..  | ..  | ..  | 3.3465     | 85.000                                | +0.0000 -0.0006 | .0005L                   | 0.0005                                     | .0000     | +0.0000      | .0000     | +0.0000      | .0000     | +0.0000      | .0005T    | -0.0005      |  |
| 10             | 08  | ..  | ..  | 3.5433     | 90.000                                |                 | .0025L                   | 0.0019                                     | .0028L    | 0.0022       | .0020L    | 0.0014       | .0015L    | 0.0009       | .0015L    | 0.0009       |  |
| 11             | 09  | ..  | ..  | 3.9370     | 100.000                               | +0 -15          | 12L                      | 12   | 0         | +0           | 0         | +0           | 0         | +0           | 13T       | -13          |  |
| 12             | 10  | ..  | ..  | 4.3307     | 110.000                               |                 | 62L                      | 47   | 69L       | 54           | 50L       | 35           | 37L       | 22           | 37L       | 22           |  |
| 13             | 11  | ..  | ..  | 4.7244     | 120.000                               |                 |                          |  |           |              |           |              |           |              |           |              |  |
| 14             | ..  | ..  | ..  | 4.9312     | 125.000                               | +0.0000 -0.0008 | .0006L                   | 0.0006                                     | .0000     | +0.0000      | .0000     | +0.0000      | .0000     | +0.0000      | .0006T    | -0.0006      |  |
| 15             | 12  | ..  | ..  | 5.1181     | 130.000                               |                 | .0030L                   | 0.0022                                     | .0033L    | 0.0025       | .0024L    | 0.0016       | .0018L    | 0.0010       | .0018L    | 0.0010       |  |
| 16             | 13  | ..  | ..  | 5.5118     | 140.000                               | +0 -20          | 14L                      | 14   | 0         | +0           | 0         | +0           | 0         | +0           | 14T       | -14          |  |
| 17             | 14  | ..  | ..  | 5.9055     | 150.000                               |                 | 74L                      | 54   | 83L       | 63           | 60L       | 40           | 45L       | 25           | 46L       | 26           |  |
| 18             | 15  | ..  | ..  | 6.2992     | 165.000                               | +0.0000 -0.0010 | .0006L                   | 0.0006                                     | .0000     | +0.0000      | .0000     | +0.0000      | .0000     | +0.0000      | .0006T    | -0.0006      |  |
| 19             | 16  | ..  | ..  | 6.6929     | 170.000                               |                 | .0032L                   | 0.0022                                     | .0035L    | 0.0025       | .0026L    | 0.0016       | .0020L    | 0.0010       | .0020L    | 0.0010       |  |
| 20             | 17  | 24  | 22  | 7.0866     | 180.000                               | +0 -25          | 14L                      | 14   | 0         | +0           | 0         | +0           | 0         | +0           | 14T       | -14          |  |
| ..             | 18  | ..  | ..  | 7.4803     | 190.000                               |                 | 79L                      | 54   | 88L       | 63           | 65L       | 40           | 50L       | 25           | 51L       | 26           |  |
| 22             | 19  | 26  | 24  | 7.8740     | 200.000                               | +0.0000 -0.0012 |                          |  |           |              |           |              |           |              |           |              |  |
| ..             | ..  | 28  | 26  | 8.2677     | 210.000                               |                 | .0006L                   | 0.0006                                     | .0000     | +0.0000      | .0000     | +0.0000      | .0000     | +0.0000      | .0007T    | -0.0007      |  |
| 24             | 20  | ..  | ..  | 8.4646     | 215.000                               |                 | .0036L                   | 0.0024                                     | .0040L    | 0.0028       | .0030L    | 0.0018       | .0024L    | 0.0012       | .0023L    | 0.0011       |  |
| ..             | ..  | 30  | 28  | 8.8583     | 225.000                               | +0 -30          | 15L                      | 15   | 0         | +0           | 0         | +0           | 0         | +0           | 16T       | -16          |  |
| 26             | ..  | ..  | ..  | 9.0551     | 230.000                               |                 | 91L                      | 61   | 102L      | 72           | 76L       | 46           | 59L       | 29           | 60L       | 30           |  |
| ..             | 22  | 32  | ..  | 9.4488     | 240.000                               |                 |                          |  |           |              |           |              |           |              |           |              |  |
| 28             | ..  | ..  | 30  | 9.8425     | 250.000                               |                 |                          |  |           |              |           |              |           |              |           |              |  |
| ..             | 24  | 34  | ..  | 10.2362    | 260.000                               | +0.0000 -0.0014 |                          |  |           |              |           |              |           |              |           |              |  |
| 30             | ..  | ..  | 32  | 10.6299    | 270.000                               |                 | .0007L                   | 0.0007                                     | .0000     | +0.0000      | .0000     | +0.0000      | .0000     | +0.0000      | .0007T    | -0.0007      |  |
| ..             | 26  | 36  | 34  | 11.0236    | 280.000                               |                 | .0041L                   | 0.0027                                     | .0044L    | 0.0030       | .0034L    | 0.0020       | .0026L    | 0.0012       | .0027L    | 0.0013       |  |
| 32             | ..  | 38  | ..  | 11.4173    | 290.000                               | +0 -35          | 17L                      | 17   | 0         | +0           | 0         | +0           | 0         | +0           | 16T       | -16          |  |
| ..             | 28  | ..  | 36  | 11.8110    | 300.000                               |                 | 104L                     | 69   | 116L      | 81           | 87L       | 52           | 67L       | 32           | 71L       | 36           |  |
| 34             | ..  | 40  | ..  | 12.2047    | 310.000                               |                 |                          |  |           |              |           |              |           |              |           |              |  |
| 36             | 30  | ..  | 38  | 12.5984    | 320.000                               | +0.0000 -0.0016 |                          |  |           |              |           |              |           |              |           |              |  |
| 38             | 32  | 44  | 40  | 13.3858    | 340.000                               |                 | .0007L                   | 0.0007                                     | .0000     | +0.0000      | .0000     | +0.0000      | .0000     | +0.0000      | .0007L    | -0.0007      |  |
| 40             | 34  | 48  | ..  | 14.1732    | 360.000                               |                 | .0045L                   | 0.0029                                     | .0051L    | 0.0035       | .0038L    | 0.0022       | .0030L    | 0.0014       | .0031L    | 0.0015       |  |
| ..             | ..  | ..  | 44  | 14.5669    | 370.000                               | +0 -40          | 18L                      | 18   | 0         | +0           | 0         | +0           | 0         | +0           | 18T       | -18          |  |
| ..             | 36  | ..  | ..  | 14.9606    | 380.000                               |                 | 115L                     | 75   | 129L      | 89           | 97L       | 57           | 76L       | 36           | 79L       | 39           |  |
| 44             | 38  | 52  | 48  | 15.7480    | 400.000                               |                 |                          |  |           |              |           |              |           |              |           |              |  |
| ..             | 40  | 56  | ..  | 16.5354    | 420.000                               | +0.0000 -0.0018 | .0008L                   | 0.0008                                     | .0000     | +0.0000      | .0000     | +0.0000      | .0000     | +0.0000      | .0009T    | -0.0009      |  |
| 48             | ..  | ..  | ..  | 17.3228    | 440.000                               |                 | .0051L                   | 0.0033                                     | .0056L    | 0.0038       | .0043L    | 0.0025       | .0034L    | 0.0016       | .0034L    | 0.0016       |  |
| ..             | 44  | 60  | ..  | 18.1102    | 460.000                               | +0 -45          | 20L                      | 20   | 0         | +0           | 0         | +0           | 0         | +0           | 20T       | -20          |  |
| ..             | ..  | ..  | ..  | ..         | ..                                    |                 | 128L                     | 83   | 142L      | 97           | 108L      | 63           | 85L       | 40           | 88L       | 43           |  |

# The arithmetical mean of the largest and smallest single diameter to be within tolerance shown.

Allowable deviations from mean diameter per ANSI/ABMA STD 20, latest printing."

<sup>A</sup> Symbol L indicates a loose or clearance fit. Symbol T indicates a tight or interference fit.

The appropriate housing bore for any class of fit can be easily determined by applying the housing tolerance to the nominal housing bore.

Example: (Using basic bearing size 09 and fit class G7).

For larger bearing sizes please consult Rexnord Bearing Engineering for proper housing fit practices.

|                        |   |         |         |   |         |         |
|------------------------|---|---------|---------|---|---------|---------|
|                        |   |         | inches  |   |         | mm      |
| Nominal housing bore   | = | 3.3465  | 3.3465  | = | 85.000  | 85.000  |
| Shaft bore tolerance   | = | + .0005 | + .0019 | = | + 0.012 | + 0.047 |
| Resultant housing bore | = | 3.3470  | 3.3484  | = | 85.012  | 85.047  |

### Class of Fit Selection

| Housing Construction                        | Operating Condition                                 |  | Examples   | Class of Fit   | Remarks   |  |
|---|---|--|--|--|---|--|
| Housing not split radially                  | Housing rotating in relation to direction of load   | Heavy loads on bearings in thin-walled housing                                   | Supporting wheels in cranes, wheel hubs with roller bearings, crank bearings | P6*  | Outer ring not axially displaceable             |  |
|   |   | Normal and heavy loads   | Wheel hubs with roller bearings, crank bearings                              | N6*  |   |  |
|   |   | Light loads  | Conveyor rollers, rope sheaves, tension pulleys                              | M6*  |   |  |
| Housing split or housing not split radially | Direction of load indeterminate                     | Heavy shock loads  | Electrical fraction motors   | K6*  | Outer ring, as a rule, not axially displaceable |  |
|   |   | Heavy and normal loads where outer ring does not have to be axially displaceable | Electrical motors, pumps, crankshaft main bearings                           |  |   |  |
|   | Housing stationary in relation to direction of load | Normal and light loads where displaceability of outer ring is desirable          |  | Journal boxes for rail vehicles                                  | J6*   | Outer ring as a rule, axially displaceable |
|   |   | Shock loads, a temporary complete unloading                                      |  |  |   |  |
|   |   | All loads  | Housing not split radially   | Bearing applications in general, journal boxes for rail vehicles | H6*   |  |
|   |   |  | Housing split radially   | Line shafting  | H7  |  |
| Heat supplied through shaft                 | Dryer cylinders                                     | G7   |  |  |   |  |

### Bearing/Housing Diameter Fits <sup>A</sup>

| J6        |              | K6        |              | K7        |              | M6        |              | M7        |              | N6        |              | N7        |              | P7        |              |
|-----------|--------------|-----------|--------------|-----------|--------------|-----------|--------------|-----------|--------------|-----------|--------------|-----------|--------------|-----------|--------------|
| Tolerance |              | Tolerance |              | Tolerance |              | Tolerance |              | Tolerance |              | Tolerance |              | Tolerance |              | Tolerance |              |
| Fit       | Housing Bore | Fit       | Housing Bore | Fit       | Housing Bore | Fit       | Housing Bore | Fit       | Housing Bore | Fit       | Housing Bore | Fit       | Housing Bore | Fit       | Housing Bore |
| .0002T    | -.0002       | .0007T    | -.0007       | .0010T    | -.0010       | .0012T    | -.0012       | .0014T    | -.0014       | .0016T    | -.0016       | .0018T    | -.0018       | .0025T    | -.0025       |
| .0013L    | 0.0007       | .0008L    | 0.0002       | .0010L    | 0.0004       | .0003L    | -.0003       | .0006L    | 0            | .0001T    | -.0007       | .0002L    | -.0004       | .0005T    | -.0011       |
| 6T        | -6           | 18T       | -18          | 25T       | -25          | 28T       | -28          | 35T       | -35          | 38T       | -38          | 45T       | -45          | 59T       | -59          |
| 31L       | 16           | 19L       | 4            | 25L       | 10           | 9L        | -6           | 15L       | 0            | 1T        | -16          | 5L        | -10          | 9T        | -24          |
| .0003T    | 0.0003       | .0008T    | -.0008       | .0011T    | -.0011       | .0013T    | -.0013       | .0016T    | -.0016       | .0019T    | -.0019       | .0022T    | -.0022       | .0028T    | -.0028       |
| .0015L    | 0.0007       | .0010L    | 0.0002       | .0013L    | 0.0005       | .0005L    | -.0003       | .0008L    | 0            | .0001T    | -.0009       | .0002L    | -.0006       | .0004T    | -.0012       |
| 7T        | -7           | 21T       | -21          | 28T       | -28          | 33T       | -33          | 40T       | -40          | 45T       | -45          | 52T       | -52          | 68T       | -68          |
| 38L       | 18           | 24L       | 4            | 32L       | 12           | 12L       | -8           | 20L       | 0            | 0T        | -20          | 8L        | -12          | 8T        | -28          |
| .0003T    | -.0003       | .0008T    | -.0008       | .0011T    | -.0011       | .0013T    | -.0013       | .0016T    | -.0016       | .0019T    | -.0019       | .0022T    | -.0022       | .0028T    | -.0028       |
| .0017L    | 0.0007       | .0012L    | 0.0002       | .0015L    | 0.0005       | .0007L    | -.0003       | .0010L    | 0            | .0001L    | -.0009       | .0004L    | -.0006       | .0002T    | -.0012       |
| 7T        | -7           | 21T       | -21          | 28T       | -28          | 33T       | -33          | 40T       | -40          | 45T       | -45          | 52T       | -52          | 68T       | -68          |
| 43L       | 18           | 29L       | 4            | 37L       | 12           | 17L       | -8           | 25L       | 0            | 5L        | -20          | 13L       | -12          | 3T        | -28          |
| .0003T    | -.0003       | .0010T    | -.0010       | .0013T    | -.0013       | .0015T    | -.0015       | .0018T    | -.0018       | .0022T    | -.0022       | .0026T    | -.0026       | .0032T    | -.0032       |
| .0021L    | 0.0009       | .0014L    | 0.0002       | .0017L    | 0.0005       | .0009L    | -.0003       | .0012L    | 0            | .0002L    | -.0010       | .0004L    | -.0008       | .0002T    | -.0014       |
| 7T        | -7           | 24T       | -24          | 33T       | -33          | 37T       | -37          | 46T       | -46          | 51T       | -51          | 60T       | -60          | 79T       | -79          |
| 52L       | 22           | 35L       | 5            | 43L       | 13           | 22L       | -8           | 30L       | 0            | 8L        | -22          | 16L       | -14          | 3T        | -33          |
| .0003T    | -.0003       | .0010T    | -.0010       | .0014T    | -.0014       | .0016T    | -.0016       | .0020T    | -.0020       | .0023T    | -.0023       | .0028T    | -.0028       | .0034T    | -.0034       |
| .0023L    | 0.0009       | .0016L    | 0.0002       | .0020L    | 0.0006       | .0010L    | -.0004       | .0014L    | 0            | .0003L    | -.0011       | .0006L    | -.0008       | 0         | -.0014       |
| 7T        | -7           | 22T       | -27          | 36T       | -36          | 41T       | -41          | 52T       | -52          | 57T       | -57          | 66T       | -66          | 88T       | -88          |
| 60L       | 25           | 40L       | 5            | 51L       | 16           | 26L       | -9           | 35L       | 0            | 10L       | -25          | 21L       | -14          | 1T        | -36          |
| .0003T    | -.0003       | .0012T    | -.0012       | .0016T    | -.0016       | .0018T    | -.0018       | .0022T    | -.0022       | .0026T    | -.0026       | .0030T    | -.0030       | .0039T    | -.0039       |
| .0027L    | 0.0011       | .0018L    | 0.0002       | .0022L    | 0.0006       | .0012L    | -.0004       | .0016L    | 0            | .0004L    | -.0012       | .0008L    | -.0008       | .0001T    | -.0017       |
| 7T        | -7           | 29T       | -29          | 40T       | -40          | 46T       | -46          | 57T       | -57          | 62T       | -62          | 73T       | -73          | 98T       | -98          |
| 69L       | 29           | 47L       | 7            | 57L       | 17           | 30L       | -10          | 40L       | 0            | 14L       | -26          | 26L       | -16          | 1T        | -41          |
| .0003T    | -.0003       | .0012T    | -.0012       | .0018T    | -.0018       | .0020T    | -.0020       | .0025T    | -.0025       | .0028T    | -.0028       | .0034T    | -.0034       | .0044T    | -.0044       |
| .0031L    | 0.0013       | .0022L    | 0.0004       | .0025L    | 0.0007       | .0014L    | -.0004       | .0018L    | 0            | .0006L    | -.0012       | .0009L    | -.0009       | .0001T    | -.0019       |
| 7T        | -7           | 32T       | -32          | 45T       | -45          | 50T       | -50          | 63T       | -63          | 67T       | -67          | 80T       | -80          | 108T      | -108         |
| 78L       | 33           | 53L       | 8            | 63L       | 18           | 35L       | -10          | 45L       | 0            | 18L       | -27          | 28L       | -17          | 0         | -45          |

■ For cast iron or steel housings. For housings of light metal, select tolerances which give slightly tighter fits than those shown.

\* Where wider tolerances are permissible P7, N7, M7, K7, J7 and H7 may be used for P6, N6, M6, K6, J6 and H6 respectively.

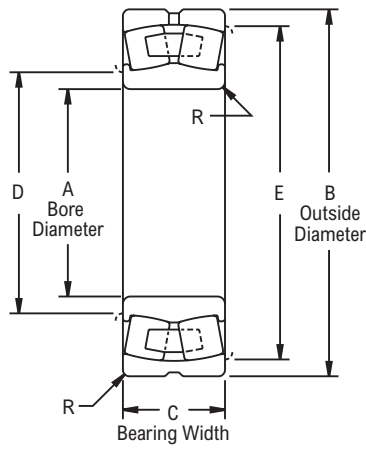


# 22200LB, 22200LBK

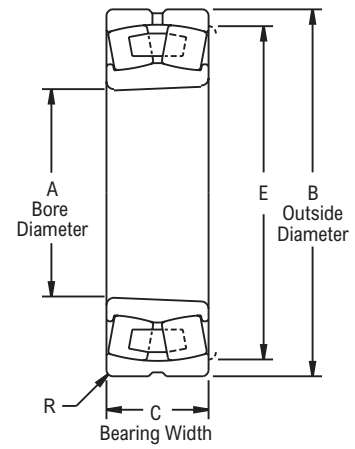


Photo Shows an Unmounted Spherical Roller Bearing Unit

- Cylindrical or Tapered bore
- Roller riding retainers
- Self-aligning
- High Capacity
- See Features & Benefits for additional info.



Cylindrical Bore



Tapered Bore

## Bearing Dimensions

| Cylindrical Part Number | Tapered Part Number | A Bore Diameter | B Outside Diameter | C Bearing Width | D          | E          | R           | Approx. Weight |
|-------------------------|---------------------|-----------------|--------------------|-----------------|------------|------------|-------------|----------------|
| 22209LBC3               | 22209LBK3           | 1.7717          | 3.3465             | 0.9055          | 2.10       | 3.00       | 0.039       | 1.30           |
|                         |                     | <b>45.00</b>    | <b>85.00</b>       | <b>23.00</b>    | <b>53</b>  | <b>76</b>  | <b>1.00</b> |                |
| 22210LBC3               | 22210LBK3           | 1.9685          | 3.5433             | 0.9055          | 2.30       | 3.20       | 0.039       | 1.40           |
|                         |                     | <b>50.00</b>    | <b>90.00</b>       | <b>23.00</b>    | <b>58</b>  | <b>81</b>  | <b>1.00</b> |                |
| 22211LBC3               | 22211LBK3           | 2.1654          | 3.9370             | 0.9843          | 2.60       | 3.60       | 0.059       | 1.90           |
|                         |                     | <b>55.00</b>    | <b>100.00</b>      | <b>25.00</b>    | <b>66</b>  | <b>91</b>  | <b>1.50</b> |                |
| 22212LBC3               | 22212LBK3           | 2.3622          | 4.3307             | 1.1024          | 2.80       | 4.00       | 0.059       | 2.60           |
|                         |                     | <b>60.00</b>    | <b>110.00</b>      | <b>28.00</b>    | <b>71</b>  | <b>102</b> | <b>1.50</b> |                |
| 22213LBC3               | 22213LBK3           | 2.5591          | 4.7244             | 1.2205          | 2.90       | 4.40       | 0.059       | 3.40           |
|                         |                     | <b>65.00</b>    | <b>120.00</b>      | <b>31.00</b>    | <b>74</b>  | <b>112</b> | <b>1.50</b> |                |
| 22214LBC3               | 22214LBK3           | 2.7559          | 4.9213             | 1.2205          | 3.10       | 4.60       | 0.059       | 3.70           |
|                         |                     | <b>70.00</b>    | <b>125.00</b>      | <b>31.00</b>    | <b>79</b>  | <b>117</b> | <b>1.50</b> |                |
| 22215LBC3               | 22215LBK3           | 2.9528          | 5.1181             | 1.2205          | 3.30       | 4.80       | 0.059       | 3.90           |
|                         |                     | <b>75.00</b>    | <b>130.00</b>      | <b>33.00</b>    | <b>84</b>  | <b>122</b> | <b>1.50</b> |                |
| 22216LBC3               | 22216LBK3           | 3.1496          | 5.5118             | 1.2992          | 3.50       | 5.10       | 0.079       | 4.90           |
|                         |                     | <b>80.00</b>    | <b>140.00</b>      | <b>36.00</b>    | <b>89</b>  | <b>130</b> | <b>2.00</b> |                |
| 22217LBC3               | 22217LBK3           | 3.3465          | 5.9055             | 1.4173          | 3.70       | 5.50       | 0.079       | 6.10           |
|                         |                     | <b>85.00</b>    | <b>150.00</b>      | <b>40.00</b>    | <b>94</b>  | <b>140</b> | <b>2.00</b> |                |
| 22218LBC3               | 22218LBK3           | 3.5433          | 6.2992             | 1.5748          | 3.90       | 5.90       | 0.079       | 7.60           |
|                         |                     | <b>90.00</b>    | <b>160.00</b>      | <b>43.00</b>    | <b>99</b>  | <b>150</b> | <b>2.00</b> |                |
| 22219LBC3               | 22219LBK3           | 3.7402          | 6.6929             | 1.6929          | 4.20       | 6.20       | 0.079       | 9.50           |
|                         |                     | <b>95.00</b>    | <b>170.00</b>      | <b>46.00</b>    | <b>107</b> | <b>157</b> | <b>2.00</b> |                |
| 22220LBC3               | 22220LBK3           | 3.9370          | 7.0866             | 1.8110          | 4.40       | 6.60       | 0.079       | 11.40          |
|                         |                     | <b>100.00</b>   | <b>180.00</b>      | <b>53.00</b>    | <b>112</b> | <b>168</b> | <b>2.00</b> |                |
| 22222LBC3               | 22222LBK3           | 4.3307          | 7.8740             | 2.0866          | 4.80       | 7.40       | 0.079       | 16.60          |
|                         |                     | <b>110.00</b>   | <b>200.00</b>      | <b>58.00</b>    | <b>122</b> | <b>188</b> | <b>2.00</b> |                |
| 22224LBC3               | 22224LBK3           | 4.7244          | 8.4646             | 2.2835          | 5.20       | 8.00       | 0.079       | 20.20          |
|                         |                     | <b>120.00</b>   | <b>215.00</b>      | <b>64.00</b>    | <b>132</b> | <b>203</b> | <b>2.00</b> |                |
| 22226LBC3               | 22226LBK3           | 5.1181          | 9.0551             | 2.5197          | 5.70       | 8.50       | 0.098       | 25.10          |
|                         |                     | <b>130.00</b>   | <b>230.00</b>      | <b>64.00</b>    | <b>145</b> | <b>216</b> | <b>2.50</b> |                |
| 22228LBC3               | 22228LBK3           | 5.5118          | 9.8425             | 2.6772          | 6.10       | 9.30       | 0.098       | 32.40          |
|                         |                     | <b>140.00</b>   | <b>250.00</b>      | <b>68.00</b>    | <b>155</b> | <b>236</b> | <b>2.50</b> |                |

Continued...

Continued...

## Bearing Dimensions

| Cylindrical    | Tapered        | A<br>Bore<br>Diameter | B<br>Outside<br>Diameter | C<br>Bearing<br>Width | D     | E     | R     | Approx.<br>Weight |
|----------------|----------------|-----------------------|--------------------------|-----------------------|-------|-------|-------|-------------------|
| Part<br>Number | Part<br>Number |                       |                          |                       |       |       |       |                   |
| 22230LBC3      | 22230LBC3      | 5.9055                | 10.6299                  | 2.8740                | 6.50  | 10.10 | 0.098 | 40.90             |
|                |                | 150.00                | 270.00                   | 73.00                 | 165   | 257   | 2.50  |                   |
| 22232LBC3      | 22232LBC3      | 6.2992                | 11.4173                  | 3.1496                | 6.90  | 10.90 | 0.098 | 52.00             |
|                |                | 160.00                | 290.00                   | 80.00                 | 175   | 277   | 2.50  |                   |
| 22234LBC3      | 22234LBC3      | 6.6929                | 12.2047                  | 3.3858                | 7.40  | 11.50 | 0.118 | 64.60             |
|                |                | 170.00                | 310.00                   | 86.00                 | 188   | 292   | 3.00  |                   |
| 22236LBC3      | 22236LBC3      | 7.0866                | 12.5984                  | 3.3858                | 7.80  | 11.90 | 0.118 | 67.40             |
|                |                | 180.00                | 320.00                   | 86.00                 | 198   | 302   | 3.00  |                   |
| 22238LBC3      | 22238LBC3      | 7.4803                | 13.3858                  | 3.6220                | 8.20  | 12.70 | 0.118 | 81.90             |
|                |                | 190.00                | 340.00                   | 92.00                 | 208   | 323   | 3.00  |                   |
| 22240LBC3      | 22240LBC3      | 7.8740                | 14.1732                  | 3.8583                | 8.60  | 13.50 | 0.118 | 95.00             |
|                |                | 200.00                | 360.00                   | 98.00                 | 218   | 343   | 3.00  |                   |
| 22244LBC3      | 22244LBC3      | 8.6614                | 15.7480                  | 4.2520                | 9.40  | 15.10 | 0.118 | 133.00            |
|                |                | 220.00                | 400.00                   | 108.00                | 239   | 384   | 3.00  |                   |
| 22248LBC3      | 22248LBC3      | 9.4488                | 17.3228                  | 4.7244                | 10.60 | 16.30 | 0.157 | 175.70            |
|                |                | 240.00                | 440.00                   | 120.00                | 269   | 414   | 4.00  |                   |

## Additional Notes

Please call 1-866-REXNORD for availability

Tapered bore, 1:12 on diameter

Dimension "R" is the largest fillet radius that will clear bearing corners

For the Selection Guide, Load Ratings and Speed Limits, see the Link-Belt Spherical Roller Bearings Engineering section

For shaft bearing seat diameters, see Link-Belt Split Spherical Bearings Shaft &amp; Housing Seat Diameters section

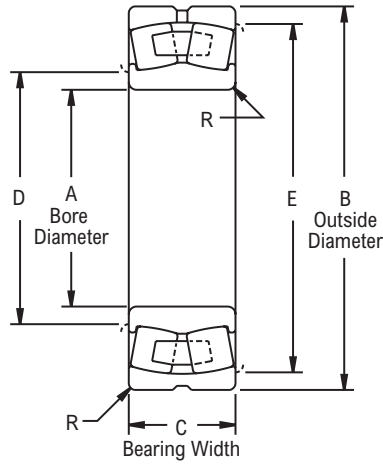
Note: Dimensions subject to change. Certified dimensions of ordered material furnished on request.

## 22300LB, 22300LBK

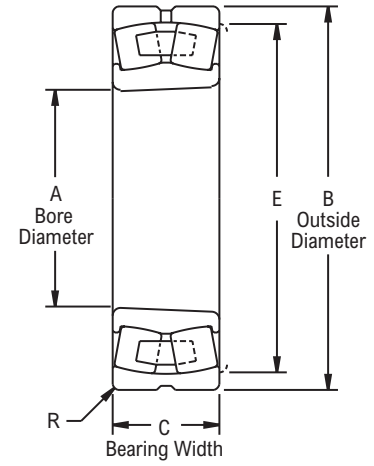


Photo Shows an Unmounted Spherical Roller Bearing Unit

- Cylindrical or Tapered bore
- Roller riding retainers
- Self-aligning
- Extra high capacity
- See Features & Benefits for additional info.



Cylindrical Bore



Tapered Bore

### Bearing Dimensions

| Cylindrical    | Tapered        | A<br>Bore<br>Diameter   | B<br>Outside<br>Diameter | C<br>Bearing<br>Width   | D                  | E                   | R                    | Approx.<br>Weight |
|----------------|----------------|-------------------------|--------------------------|-------------------------|--------------------|---------------------|----------------------|-------------------|
| Part<br>Number | Part<br>Number |                         |                          |                         |                    |                     |                      |                   |
| 22308LBC3      | 22308LBK3      | 1.5748<br><i>40.00</i>  | 3.5433<br><i>90.00</i>   | 1.2992<br><i>33.00</i>  | 1.90<br><i>48</i>  | 3.20<br><i>81</i>   | 0.059<br><i>1.50</i> | 2.80              |
| 22309LBC3      | 22309LBK3      | 1.7717<br><i>45.00</i>  | 3.9370<br><i>100.00</i>  | 1.4173<br><i>36.00</i>  | 2.20<br><i>56</i>  | 3.60<br><i>91</i>   | 0.059<br><i>1.50</i> | 3.10              |
| 22310LBC3      | 22310LBK3      | 1.9685<br><i>50.00</i>  | 4.3307<br><i>110.00</i>  | 1.5748<br><i>40.00</i>  | 2.40<br><i>61</i>  | 3.90<br><i>99</i>   | 0.079<br><i>2.00</i> | 4.00              |
| 22311LBC3      | 22311LBK3      | 2.1654<br><i>55.00</i>  | 4.7244<br><i>120.00</i>  | 1.6929<br><i>43.00</i>  | 2.60<br><i>66</i>  | 4.30<br><i>109</i>  | 0.079<br><i>2.00</i> | 5.20              |
| 22312LBC3      | 22312LBK3      | 2.3622<br><i>60.00</i>  | 5.1181<br><i>130.00</i>  | 1.8110<br><i>46.00</i>  | 2.90<br><i>74</i>  | 4.60<br><i>117</i>  | 0.079<br><i>2.00</i> | 6.60              |
| 22313LBC3      | 22313LBK3      | 2.5591<br><i>65.00</i>  | 5.5118<br><i>140.00</i>  | 1.8898<br><i>48.00</i>  | 3.10<br><i>79</i>  | 5.00<br><i>127</i>  | 0.079<br><i>2.00</i> | 7.90              |
| 22314LBC3      | 22314LBK3      | 2.7559<br><i>70.00</i>  | 5.9055<br><i>150.00</i>  | 2.0079<br><i>51.00</i>  | 3.30<br><i>84</i>  | 5.40<br><i>137</i>  | 0.079<br><i>2.00</i> | 9.80              |
| 22315LBC3      | 22315LBK3      | 2.9528<br><i>75.00</i>  | 6.2992<br><i>160.00</i>  | 2.1654<br><i>55.00</i>  | 3.50<br><i>89</i>  | 5.80<br><i>147</i>  | 0.079<br><i>2.00</i> | 11.90             |
| 22316LBC3      | 22316LBK3      | 3.1496<br><i>80.00</i>  | 6.6929<br><i>170.00</i>  | 2.2835<br><i>58.00</i>  | 3.70<br><i>94</i>  | 6.20<br><i>157</i>  | 0.079<br><i>2.00</i> | 14.10             |
| 22317LBC3      | 22317LBK3      | 3.3465<br><i>85.00</i>  | 7.0866<br><i>180.00</i>  | 2.3622<br><i>60.00</i>  | 3.90<br><i>99</i>  | 6.50<br><i>165</i>  | 0.098<br><i>2.50</i> | 16.30             |
| 22318LBC3      | 22318LBK3      | 3.5433<br><i>90.00</i>  | 7.4803<br><i>190.00</i>  | 2.5197<br><i>64.00</i>  | 4.10<br><i>104</i> | 6.90<br><i>175</i>  | 0.098<br><i>2.50</i> | 19.50             |
| 22319LBC3      | 22319LBK3      | 3.7402<br><i>95.00</i>  | 7.8740<br><i>200.00</i>  | 2.6378<br><i>67.00</i>  | 4.30<br><i>114</i> | 7.30<br><i>185</i>  | 0.098<br><i>2.50</i> | 22.60             |
| 22320LBC3      | 22320LBK3      | 3.9370<br><i>100.00</i> | 8.4646<br><i>215.00</i>  | 2.8740<br><i>73.00</i>  | 4.50<br><i>124</i> | 7.90<br><i>201</i>  | 0.098<br><i>2.50</i> | 28.90             |
| 22322LBC3      | 22322LBK3      | 4.3307<br><i>110.00</i> | 9.4488<br><i>240.00</i>  | 3.1496<br><i>80.00</i>  | 4.90<br><i>135</i> | 8.90<br><i>226</i>  | 0.098<br><i>2.50</i> | 40.00             |
| 22324LBC3      | 22324LBK3      | 4.7244<br><i>120.00</i> | 10.2362<br><i>260.00</i> | 3.3858<br><i>86.00</i>  | 5.30<br><i>150</i> | 9.70<br><i>246</i>  | 0.098<br><i>2.50</i> | 49.00             |
| 22326LBC3      | 22326LBK3      | 5.1181<br><i>130.00</i> | 11.0236<br><i>280.00</i> | 3.6614<br><i>93.00</i>  | 5.90<br><i>150</i> | 10.30<br><i>262</i> | 0.118<br><i>3.00</i> | 62.50             |
| 22328LBC3      | 22328LBK3      | 5.5118<br><i>140.00</i> | 11.8110<br><i>300.00</i> | 4.0157<br><i>102.00</i> | 6.30<br><i>160</i> | 11.10<br><i>282</i> | 0.118<br><i>3.00</i> | 78.20             |

Continued...

Continued...

## Bearing Dimensions

| Cylindrical    | Tapered        | A<br>Bore<br>Diameter | B<br>Outside<br>Diameter | C<br>Bearing<br>Width | D     | E     | R     | Approx.<br>Weight |
|----------------|----------------|-----------------------|--------------------------|-----------------------|-------|-------|-------|-------------------|
| Part<br>Number | Part<br>Number |                       |                          |                       |       |       |       |                   |
| 22330LBC3      | 22330LBKC3     | 5.9055                | 12.5984                  | 4.2520                | 6.60  | 11.90 | 0.118 | 92.00             |
|                |                | 150.00                | 320.00                   | 108.00                | 168   | 302   | 3.00  |                   |
| 22332LBC3      | 22332LBKC3     | 6.2992                | 13.3858                  | 4.4882                | 7.10  | 12.70 | 0.118 | 110.00            |
|                |                | 160.00                | 340.00                   | 114.00                | 180   | 323   | 3.00  |                   |
| 22334LBC3      | 22334LBKC3     | 6.6929                | 14.1732                  | 4.7244                | 7.40  | 13.50 | 0.118 | 129.00            |
|                |                | 170.00                | 360.00                   | 120.00                | 188   | 343   | 3.00  |                   |
| 22336LBC3      | 22336LBKC3     | 7.0866                | 14.9606                  | 4.9606                | 7.80  | 14.30 | 0.118 | 153.00            |
|                |                | 180.00                | 380.00                   | 126.00                | 198   | 363   | 3.00  |                   |
| 22338LBC3      | 22338LBKC3     | 7.4803                | 15.7480                  | 5.1968                | 8.40  | 14.90 | 0.157 | 176.00            |
|                |                | 190.00                | 400.00                   | 132.00                | 213   | 378   | 4.00  |                   |
| 22340LBC3      | 22340LBKC3     | 7.8740                | 16.5354                  | 5.4331                | 8.80  | 15.70 | 0.157 | 200.00            |
|                |                | 200.00                | 420.00                   | 138.00                | 224   | 399   | 4.00  |                   |
| 22344LBC3      | 22344LBKC3     | 8.6614                | 18.1102                  | 5.7087                | 9.60  | 17.30 | 0.157 | 287.00            |
|                |                | 220.00                | 460.00                   | 145.00                | 244   | 439   | 4.00  |                   |
| 22348LBC3      | 22348LBKC3     | 9.4488                | 19.6850                  | 6.1024                | 10.70 | 18.40 | 0.197 | 321.90            |
|                |                | 240.00                | 500.00                   | 155.00                | 272   | 467   | 5.00  |                   |
| 22356LBC3      | 22356LBKC3     | 11.0236               | 22.8346                  | 6.8898                | 12.60 | 21.30 | 0.236 | 482.80            |
|                |                | 280.00                | 580.00                   | 175.00                | 320   | 541   | 6.00  |                   |

## Additional Notes

Please call 1-866-REXNORD for availability

Tapered bore, 1:12 on diameter

Dimension "R" is the largest fillet radius that will clear bearing corners

For the Selection Guide, Load Ratings and Speed Limits, see the Link-Belt Split Spherical Roller Bearings Engineering section

For shaft bearing seat diameters, see Link-Belt Split Spherical Bearings Shaft &amp; Housing Seat Diameters section

Note: Dimensions subject to change. Certified dimensions of ordered material furnished on request.



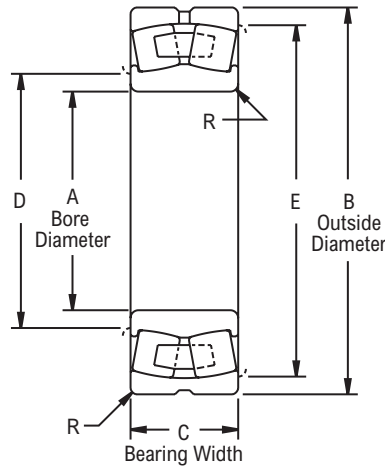
# 23000LB, 23000LBK



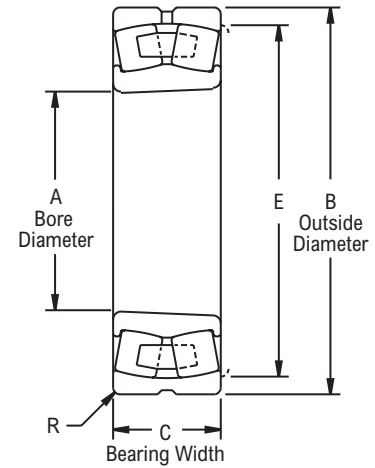
Photo Shows an Unmounted Spherical Roller Bearing Unit

## Product Features

- Cylindrical or Tapered bore
- Roller riding retainers
- Self-aligning
- Extra high capacity
- See Features & Benefits for additional info.



Cylindrical Bore



Tapered Bore

## Bearing Dimensions

| Cylindrical Part Number | Tapered Part Number | A Bore Diameter          | B Outside Diameter       | C Bearing Width         | D                   | E                   | R                    | Approx. Weight |
|-------------------------|---------------------|--------------------------|--------------------------|-------------------------|---------------------|---------------------|----------------------|----------------|
| 23044LBC3               | 23044LBK3           | 8.6614<br><i>220.00</i>  | 13.3858<br><i>340.00</i> | 3.5433<br><i>90.00</i>  | 9.60<br><i>244</i>  | 12.60<br><i>320</i> | 0.118<br><i>3.00</i> | 64.80          |
| 23048LBC3               | 23048LBK3           | 9.4488<br><i>240.00</i>  | 14.1732<br><i>360.00</i> | 3.6220<br><i>92.00</i>  | 10.00<br><i>254</i> | 13.60<br><i>345</i> | 0.098<br><i>2.50</i> | 74.60          |
| 23052LBC3               | 23052LBK3           | 10.2362<br><i>260.00</i> | 15.7480<br><i>400.00</i> | 4.0945<br><i>104.00</i> | 11.40<br><i>290</i> | 14.70<br><i>373</i> | 0.157<br><i>4.00</i> | 101.90         |
| 23056LBC3               | 23056LBK3           | 11.0236<br><i>280.00</i> | 16.5354<br><i>420.00</i> | 4.1732<br><i>106.00</i> | 11.80<br><i>300</i> | 15.80<br><i>401</i> | 0.118<br><i>3.00</i> | 117.60         |
| 23060LBC3               | 23060LBK3           | 11.8110<br><i>300.00</i> | 18.1102<br><i>460.00</i> | 4.6457<br><i>118.00</i> | 13.00<br><i>330</i> | 17.00<br><i>432</i> | 0.118<br><i>3.00</i> | 163.30         |
| 23064LBC3               | 23064LBK3           | 12.5984<br><i>320.00</i> | 18.8976<br><i>480.00</i> | 4.7638<br><i>121.00</i> | 13.90<br><i>353</i> | 16.40<br><i>417</i> | 0.157<br><i>4.00</i> | 165.10         |
| 23068LBC3               | 23068LBK3           | 13.3858<br><i>340.00</i> | 20.4724<br><i>520.00</i> | 5.2362<br><i>133.00</i> | 14.80<br><i>376</i> | 19.20<br><i>488</i> | 0.197<br><i>5.00</i> | 220.50         |
| 23072LBC3               | 23072LBK3           | 14.1732<br><i>360.00</i> | 21.2598<br><i>540.00</i> | 5.2756<br><i>134.00</i> | 15.70<br><i>399</i> | 20.00<br><i>508</i> | 0.197<br><i>5.00</i> | 231.50         |
| 23076LBC3               | 23076LBK3           | 14.9606<br><i>380.00</i> | 22.0472<br><i>560.00</i> | 5.3150<br><i>135.00</i> | 16.50<br><i>419</i> | 20.80<br><i>528</i> | 0.197<br><i>5.00</i> | 246.90         |
| 23080LBC3               | 23080LBK3           | 15.7480<br><i>400.00</i> | 23.6220<br><i>600.00</i> | 5.8268<br><i>148.00</i> | 17.30<br><i>439</i> | 22.30<br><i>566</i> | 0.197<br><i>5.00</i> | 319.70         |
| 23084LBC3               | 23084LBK3           | 16.5354<br><i>420.00</i> | 24.4094<br><i>620.00</i> | 5.9055<br><i>150.00</i> | 18.10<br><i>460</i> | 23.10<br><i>587</i> | 0.197<br><i>5.00</i> | 330.70         |
| 23088LBC3               | 23088LBK3           | 17.3228<br><i>440.00</i> | 25.5906<br><i>650.00</i> | 6.1811<br><i>157.00</i> | 19.20<br><i>488</i> | 24.00<br><i>610</i> | 0.236<br><i>6.00</i> | 378.40         |
| 23092LBC3               | 23092LBK3           | 18.1102<br><i>460.00</i> | 26.7717<br><i>680.00</i> | 6.4173<br><i>163.00</i> | 20.00<br><i>508</i> | 25.10<br><i>638</i> | 0.236<br><i>6.00</i> | 438.70         |
| 23096LBC3               | 23096LBK3           | 18.8976<br><i>480.00</i> | 27.5591<br><i>700.00</i> | 6.4961<br><i>165.00</i> | 20.80<br><i>528</i> | 25.90<br><i>658</i> | 0.236<br><i>6.00</i> | 463.00         |
| 230530LBC3              | 230530LBK3          | 20.8661<br><i>530.00</i> | 30.7087<br><i>780.00</i> | 7.2835<br><i>185.00</i> | 22.90<br><i>582</i> | 29.00<br><i>737</i> | 0.236<br><i>6.00</i> | 651.20         |
| 230560LBC3              | 230560LBK3          | 22.0472<br><i>560.00</i> | 32.2835<br><i>820.00</i> | 7.6772<br><i>195.00</i> | 24.10<br><i>612</i> | 30.60<br><i>777</i> | 0.236<br><i>6.00</i> | 756.80         |
| 230600LBC3              | 230600LBK3          | 23.6220<br><i>600.00</i> | 34.2520<br><i>870.00</i> | 7.8740<br><i>200.00</i> | 25.80<br><i>655</i> | 32.50<br><i>826</i> | 0.236<br><i>6.00</i> | 855.80         |
| 230630LBC3              | 230630LBK3          | 24.8031<br><i>630.00</i> | 36.2205<br><i>920.00</i> | 8.3465<br><i>212.00</i> | 27.30<br><i>693</i> | 34.10<br><i>866</i> | 0.315<br><i>8.00</i> | 1,029.60       |

## Additional Notes

Please call 1-866-REXNORD for availability

Tapered bore, 1:12 on diameter

Dimension "R" is the largest fillet radius that will clear bearing corners

For the Selection Guide, Load Ratings and Speed Limits, see the Link-Belt Split Spherical Roller Bearings Engineering section

For shaft bearing seat diameters, see Link-Belt Split Spherical Bearings Shaft & Housing Seat Diameters section Guide section

Note: Dimensions subject to change. Certified dimensions of ordered material furnished on request.

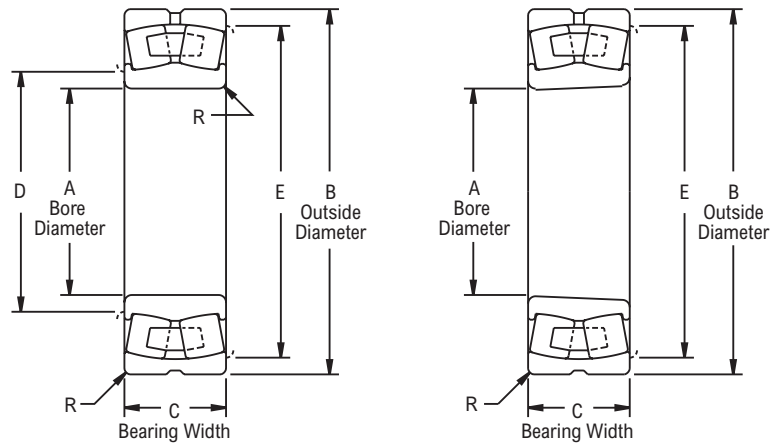
## 23100LB, 23100LBK



Photo Shows an Unmounted Spherical Roller Bearing Unit

### Product Features

- Cylindrical or Tapered bore
- Roller riding retainers
- Self-aligning
- High Capacity
- See Features & Benefits for additional info.



Cylindrical Bore

Tapered Bore

### Bearing Dimensions

| Cylindrical Part Number | Tapered Part Number | A Bore Diameter          | B Outside Diameter         | C Bearing Width          | D                   | E                   | R                    | Approx. Weight |
|-------------------------|---------------------|--------------------------|----------------------------|--------------------------|---------------------|---------------------|----------------------|----------------|
| 23144LBC3               | 23144LBK3           | 8.6614<br><i>220.00</i>  | 14.5669<br><i>370.00</i>   | 4.7244<br><i>120.00</i>  | 9.80<br><i>249</i>  | 13.50<br><i>343</i> | 0.157<br><i>4.00</i> | 116.00         |
| 23148LBC3               | 23148LBK3           | 9.4488<br><i>240.00</i>  | 15.7480<br><i>400.00</i>   | 5.0394<br><i>128.00</i>  | 10.60<br><i>269</i> | 14.70<br><i>373</i> | 0.157<br><i>4.00</i> | 142.00         |
| 23152LBC3               | 23152LBK3           | 10.2362<br><i>260.00</i> | 17.3228<br><i>440.00</i>   | 5.6693<br><i>144.00</i>  | 11.40<br><i>290</i> | 16.30<br><i>414</i> | 0.157<br><i>4.00</i> | 193.10         |
| 23156LBC3               | 23156LBK3           | 11.0236<br><i>280.00</i> | 18.1102<br><i>460.00</i>   | 5.7480<br><i>146.00</i>  | 12.40<br><i>315</i> | 16.90<br><i>429</i> | 0.197<br><i>5.00</i> | 206.30         |
| 23160LBC3               | 23160LBK3           | 11.8110<br><i>300.00</i> | 19.6850<br><i>500.00</i>   | 6.2992<br><i>160.00</i>  | 13.20<br><i>335</i> | 18.40<br><i>467</i> | 0.197<br><i>5.00</i> | 273.40         |
| 23164LBC3               | 23164LBK3           | 12.5984<br><i>320.00</i> | 21.2598<br><i>540.00</i>   | 6.9291<br><i>176.00</i>  | 14.00<br><i>356</i> | 20.00<br><i>508</i> | 0.197<br><i>5.00</i> | 354.90         |
| 23168LBC3               | 23168LBK3           | 13.3858<br><i>340.00</i> | 22.8346<br><i>580.00</i>   | 7.4803<br><i>190.00</i>  | 14.80<br><i>376</i> | 21.50<br><i>546</i> | 0.197<br><i>5.00</i> | 451.90         |
| 23172LBC3               | 23172LBK3           | 14.1732<br><i>360.00</i> | 23.6220<br><i>600.00</i>   | 7.5591<br><i>192.00</i>  | 15.70<br><i>399</i> | 20.00<br><i>508</i> | 0.197<br><i>5.00</i> | 474.00         |
| 23176LBC3               | 23176LBK3           | 14.9606<br><i>380.00</i> | 24.4094<br><i>620.00</i>   | 7.6378<br><i>194.00</i>  | 16.50<br><i>419</i> | 23.10<br><i>587</i> | 0.197<br><i>5.00</i> | 500.40         |
| 23180LBC3               | 23180LBK3           | 15.7480<br><i>400.00</i> | 25.5905<br><i>650.00</i>   | 7.8740<br><i>200.00</i>  | 17.60<br><i>447</i> | 24.00<br><i>610</i> | 0.236<br><i>6.00</i> | 564.40         |
| 23184LBC3               | 23184LBK3           | 16.5354<br><i>420.00</i> | 27.5591<br><i>700.00</i>   | 8.8189<br><i>224.00</i>  | 18.30<br><i>465</i> | 25.90<br><i>658</i> | 0.236<br><i>6.00</i> | 745.10         |
| 23188LBC3               | 23188LBK3           | 17.3228<br><i>440.00</i> | 28.3465<br><i>720.00</i>   | 8.8976<br><i>226.00</i>  | 19.20<br><i>488</i> | 26.70<br><i>678</i> | 0.236<br><i>6.00</i> | 789.20         |
| 23192LBC3               | 23192LBK3           | 18.1102<br><i>460.00</i> | 29.9213<br><i>760.00</i>   | 9.4488<br><i>240.00</i>  | 20.30<br><i>516</i> | 27.90<br><i>709</i> | 0.315<br><i>8.00</i> | 925.90         |
| 23196LBC3               | 23196LBK3           | 18.8976<br><i>480.00</i> | 31.1024<br><i>790.00</i>   | 9.7638<br><i>248.00</i>  | 21.10<br><i>536</i> | 29.10<br><i>739</i> | 0.315<br><i>8.00</i> | 1,040.60       |
| 231530LBC3              | 231530LBK3          | 20.8661<br><i>530.00</i> | 34.2520<br><i>870.00</i>   | 10.7087<br><i>272.00</i> | 23.20<br><i>589</i> | 32.20<br><i>818</i> | 0.315<br><i>8.00</i> | 1,381.60       |
| 231560LBC3              | 231560LBK3          | 22.0472<br><i>560.00</i> | 36.2205<br><i>920.00</i>   | 11.0236<br><i>280.00</i> | 24.40<br><i>620</i> | 34.10<br><i>866</i> | 0.315<br><i>8.00</i> | 1,599.40       |
| 231600LBC3              | 231600LBK3          | 23.6220<br><i>600.00</i> | 38.5827<br><i>980.00</i>   | 11.8110<br><i>300.00</i> | 26.10<br><i>663</i> | 36.40<br><i>925</i> | 0.315<br><i>8.00</i> | 1,975.60       |
| 231630LBC3              | 231630LBK3          | 24.8031<br><i>630.00</i> | 40.5512<br><i>1,030.00</i> | 12.4016<br><i>315.00</i> | 27.30<br><i>693</i> | 38.30<br><i>973</i> | 0.315<br><i>8.00</i> | 2,288.00       |

### Additional Notes

- Please call 1-866-REXNORD for availability
- Tapered bore, 1:12 on diameter
- Dimension "R" is the largest fillet radius that will clear bearing corners
- For the Selection Guide, Load Ratings and Speed Limits, see the Link-Belt Split Spherical Roller Bearings Engineering section

- For shaft bearing seat diameters, see Link-Belt Split Spherical Bearings Shaft & Housing Seat Diameters section Guide section
- Note: Dimensions subject to change. Certified dimensions of ordered material furnished on request.

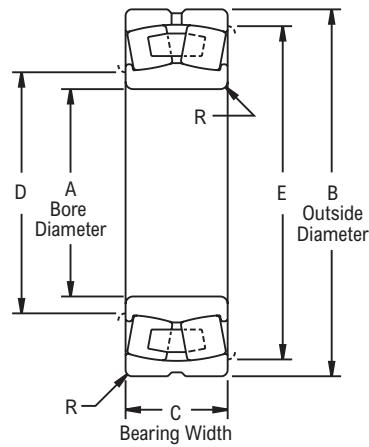
## 23200LB, 23200LBK



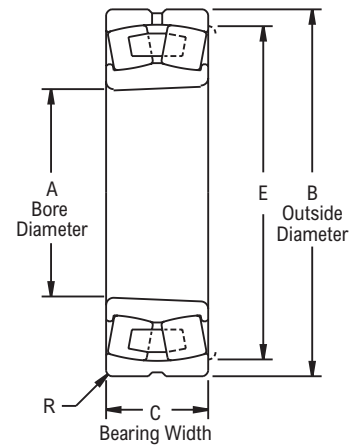
Photo Shows an Unmounted Spherical Roller Bearing Unit

### Product Features

- Cylindrical or Tapered bore
- Roller riding retainers
- Self-aligning
- High Capacity
- See Features & Benefits for additional info.



Cylindrical Bore



Tapered Bore

### Bearing Dimensions

| Cylindrical Part Number | Tapered Part Number | A Bore Diameter          | B Outside Diameter       | C Bearing Width          | D                   | E                   | R                    | Approx. Weight |
|-------------------------|---------------------|--------------------------|--------------------------|--------------------------|---------------------|---------------------|----------------------|----------------|
| 23244LBC3               | 23244LBK3           | 8.6614<br><i>220.00</i>  | 15.7480<br><i>400.00</i> | 5.6693<br><i>144.00</i>  | 9.80<br><i>249</i>  | 14.70<br><i>373</i> | 0.157<br><i>4.00</i> | 175.70         |
| 23248LBC3               | 23248LBK3           | 9.4488<br><i>240.00</i>  | 17.3228<br><i>440.00</i> | 6.2992<br><i>160.00</i>  | 10.60<br><i>269</i> | 16.30<br><i>414</i> | 0.157<br><i>4.00</i> | 231.50         |
| 23252LBC3               | 23252LBK3           | 10.2362<br><i>260.00</i> | 18.8976<br><i>480.00</i> | 6.8504<br><i>174.00</i>  | 11.60<br><i>295</i> | 17.60<br><i>447</i> | 0.197<br><i>5.00</i> | 297.60         |
| 23256LBC3               | 23256LBK3           | 11.0236<br><i>280.00</i> | 19.6850<br><i>500.00</i> | 6.9291<br><i>176.00</i>  | 12.40<br><i>315</i> | 18.40<br><i>467</i> | 0.197<br><i>5.00</i> | 319.70         |
| 23260LBC3               | 23260LBK3           | 11.8110<br><i>300.00</i> | 21.2598<br><i>540.00</i> | 7.5591<br><i>192.00</i>  | 13.20<br><i>335</i> | 20.00<br><i>508</i> | 0.197<br><i>5.00</i> | 414.50         |
| 23264LBC3               | 23264LBK3           | 12.5984<br><i>320.00</i> | 22.8346<br><i>580.00</i> | 8.1890<br><i>208.00</i>  | 14.00<br><i>356</i> | 21.50<br><i>546</i> | 0.197<br><i>5.00</i> | 522.50         |
| 23268LBC3               | 23268LBK3           | 13.3858<br><i>340.00</i> | 24.4094<br><i>620.00</i> | 8.8189<br><i>224.00</i>  | 15.10<br><i>384</i> | 22.80<br><i>579</i> | 0.236<br><i>6.00</i> | 643.70         |
| 23272LBC3               | 23272LBK3           | 14.1732<br><i>360.00</i> | 25.5905<br><i>650.00</i> | 9.1339<br><i>232.00</i>  | 15.90<br><i>404</i> | 24.00<br><i>610</i> | 0.236<br><i>6.00</i> | 727.50         |
| 23276LBC3               | 23276LBK3           | 14.9606<br><i>380.00</i> | 26.7717<br><i>680.00</i> | 9.4488<br><i>240.00</i>  | 16.70<br><i>424</i> | 25.10<br><i>638</i> | 0.236<br><i>6.00</i> | 813.50         |
| 23280LBC3               | 23280LBK3           | 15.7480<br><i>400.00</i> | 28.3465<br><i>720.00</i> | 10.0787<br><i>256.00</i> | 17.60<br><i>447</i> | 26.70<br><i>678</i> | 0.236<br><i>6.00</i> | 983.20         |
| 23284LBC3               | 23284LBK3           | 16.5354<br><i>420.00</i> | 29.9213<br><i>760.00</i> | 10.7087<br><i>272.00</i> | 18.70<br><i>475</i> | 27.90<br><i>709</i> | 0.315<br><i>8.00</i> | 1,170.60       |
| 23288LBC3               | 23288LBK3           | 17.3228<br><i>440.00</i> | 31.1024<br><i>790.00</i> | 11.0236<br><i>280.00</i> | 19.50<br><i>495</i> | 29.10<br><i>739</i> | 0.315<br><i>8.00</i> | 1,298.50       |
| 23292LBC3               | 23292LBK3           | 18.1102<br><i>460.00</i> | 32.6772<br><i>830.00</i> | 11.6535<br><i>296.00</i> | 20.30<br><i>516</i> | 30.60<br><i>777</i> | 0.315<br><i>8.00</i> | 1,511.40       |
| 23296LBC3               | 23296LBK3           | 18.8976<br><i>480.00</i> | 34.2520<br><i>870.00</i> | 12.2047<br><i>310.00</i> | 21.10<br><i>536</i> | 32.20<br><i>818</i> | 0.315<br><i>8.00</i> | 1,742.40       |

### Additional Notes

Please call 1-866-REXNORD for availability

Tapered bore, 1:12 on diameter

Dimension "R" is the largest fillet radius that will clear bearing corners

For the Selection Guide, Load Ratings and Speed Limits, see the Link-Belt Split Spherical Roller Bearings Engineering section

For shaft bearing seat diameters, see Link-Belt Split Spherical Bearings Shaft & Housing Seat Diameters section Guide section

Note: Dimensions subject to change. Certified dimensions of ordered material furnished on request.

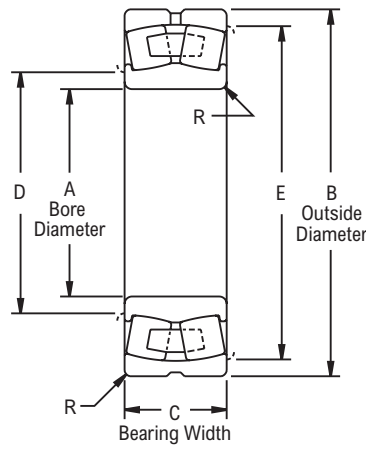
## 23900LB, 23900LBK



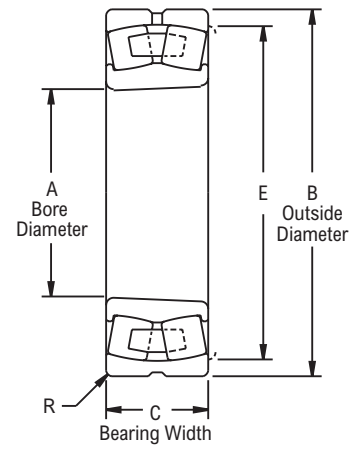
Photo Shows an Unmounted Spherical Roller Bearing Unit

### Product Features

- Cylindrical or Tapered bore
- Roller riding retainers
- Self-aligning
- High Capacity
- See Features & Benefits for additional info.



Cylindrical Bore



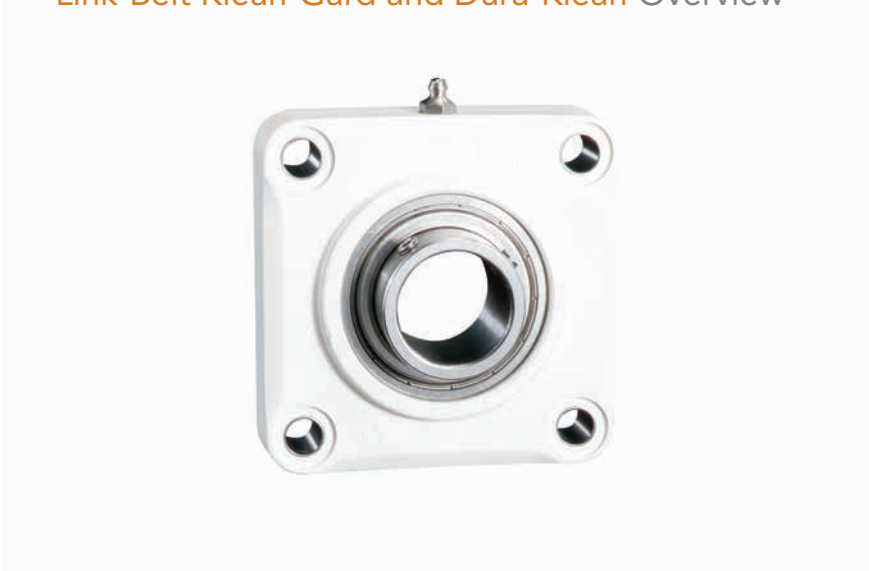
Tapered Bore

### Bearing Dimensions

| Cylindrical    | Tapered        | A<br>Bore<br>Diameter | B<br>Outside<br>Diameter | C<br>Bearing<br>Width | D          | E          | R           | Approx.<br>Weight |
|----------------|----------------|-----------------------|--------------------------|-----------------------|------------|------------|-------------|-------------------|
| Part<br>Number | Part<br>Number |                       |                          |                       |            |            |             |                   |
| 23944LBC3      | 23944LBKC3     | 8.6614                | 11.8110                  | 2.3622                | 9.50       | 11.10      | 0.079       | 26.70             |
|                |                | <i>220.00</i>         | <i>300.00</i>            | <i>60.00</i>          | <i>241</i> | <i>282</i> | <i>2.00</i> |                   |
| 23948LBC3      | 23948LBKC3     | 9.4488                | 12.5984                  | 2.3622                | 10.40      | 11.90      | 0.079       | 28.90             |
|                |                | <i>240.00</i>         | <i>320.00</i>            | <i>60.00</i>          | <i>264</i> | <i>302</i> | <i>2.00</i> |                   |

### Additional Notes

- Please call 1-866-REXNORD for availability
- Tapered bore, 1:12 on diameter
- Dimension "R" is the largest fillet radius that will clear bearing corners
- For the Selection Guide, Load Ratings and Speed Limits, see the Link-Belt Split Spherical Roller Bearings Engineering section
- For shaft bearing seat diameters, see Link-Belt Split Spherical Bearings Shaft & Housing Seat Diameters section Guide section
- Note: Dimensions subject to change. Certified dimensions of ordered material furnished on request.



Industries Served  
Food and Beverage

## Link-Belt Klean-Guard & Dura-Klean Ball Bearings For Beverage & Food Conveying Applications

### Klean-Gard

Available in polypropylene (white) housings with stainless steel inserts. Housing styles available in pillow blocks, 2-bolt, 3-bolt & 4-bolt flanges. Snap on cap (open or closed) available. Solid-back housings are designed to inhibit the growth of bacteria, mold, and mildew that may cause discoloration, odor, or degradation.

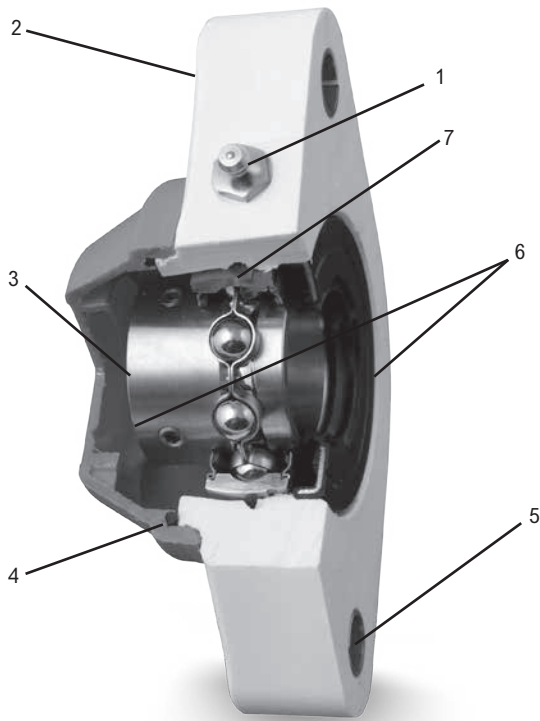
Always maintain good hygiene; proper cleaning procedures are still required.

Interchangeable with cast iron units. Beverage bearing configuration available upon request, add the prefix "W."

### Dura-Klean

Rilsan® nylon coated with black oxide inserts and food grade grease.

Available in pillow blocks, 2-bolt, 3-bolt & 4-bolt flanges and take-up units up to 1 15/16" bore size.



#### 1. Corrosion Resistant Fittings for Relubrication

Bearing insert factory prelubricated with food-grade grease.

#### 2. Reinforced Housing Material

Rugged, reinforced housing material available in Polypropylene (white) for extreme corrosion resistance.

#### 3. Inch or Metric Shaft Sizes Available

#### 4. Auxiliary Caps

Both open and closed auxiliary safety caps fit tightly to the machined housing and are sealed with heavy duty O-rings.

#### 5. Stainless Steel Bushings and Washers

AISI 316 stainless steel spacer bushing and washer for trouble-free, positive mounting.

#### 6. Rotary Shaft Seals

Front and rear auxiliary rotary shaft seals provided with spring loaded double lip seal to guard critical bearing components and prevent conveyor contamination.

#### 7. Stainless Steel Ball Bearings

Alignable, high capacity, stainless steel ball bearing mounted with setscrews to the shaft. Integral bearing lip seals.



## Klean-Gard Nomenclature

| Symbol | Description   | KL    | FX    | SS    | 2     | E     | 20    | DC    | V     |
|--------|---|-------|-------|-------|-------|-------|-------|-------|-------|
| KL     | Polypropylene (White) housing material                            | _____ |       |       |       |       |       |       |       |
| W      | Beverage unit with water drainage features                        |       |       |       |       |       |       |       |       |
| F      | Flanged unit, 3 and 4-bolt  |       | _____ |       |       |       |       |       |       |
| FB     | Flanged bracket unit, 3-bolt                                      |       | _____ |       |       |       |       |       |       |
| FX     | Flanged unit, 2-bolt  |       | _____ |       |       |       |       |       |       |
| P      | Pillow block, standard backing                                    |       | _____ |       |       |       |       |       |       |
| SS     | Extended inner ring, stainless steel insert, molded lip seals     |       |       | _____ |       |       |       |       |       |
| 2      | Series 200 ball bearing designation                               |       |       |       | _____ |       |       |       |       |
| E      | Inner ring bore equal to a bore of the next larger bearing group  |       |       |       |       | _____ |       |       |       |
| 20     | Shaft size in sixteenths of an inch                               |       |       |       |       |       | _____ |       |       |
| M30    | Shaft size in millimeters   |       |       |       |       |       | _____ |       |       |
| None   | Open end unit, basic unit   |       |       |       |       |       |       |       |       |
| C      | Closed end unit, no auxiliary seals                               |       |       |       |       |       |       |       |       |
| D      | Open end unit, end cap with seal and rear auxiliary dual lip seal |       |       |       |       |       |       |       |       |
| DC     | Closed end unit, end cap and rear auxiliary dual lip seal         |       |       |       |       |       |       | _____ |       |
| V      | Viton auxiliary seals   |       |       |       |       |       |       |       | _____ |

## Dura-Klean Nomenclature

| Symbol | Description  | W     | F     | 3     | S     | 2     | E     | 20    | E     |
|--------|--|-------|-------|-------|-------|-------|-------|-------|-------|
| W      | Dura-Klean (White) housing                                       | _____ |       |       |       |       |       |       |       |
| F      | Flanged unit, 3 and 4-bolt                                       |       | _____ |       |       |       |       |       |       |
| FB     | Flanged bracket unit, 3-bolt                                     |       | _____ |       |       |       |       |       |       |
| FX     | Flanged unit, 2-bolt   |       | _____ |       |       |       |       |       |       |
| P      | Pillow block, standard backing                                   |       | _____ |       |       |       |       |       |       |
| PT     | Pillow block, tapped base  |       | _____ |       |       |       |       |       |       |
| TH     | Take-up, wide slot   |       | _____ |       |       |       |       |       |       |
| 3      | Integral bearing seals   |       |       | _____ |       |       |       |       |       |
| S      | Extended inner ring, spring locking, black oxide coated rings    |       |       |       | _____ |       |       |       |       |
| 2      | Series 200 ball bearing designation                              |       |       |       |       | _____ |       |       |       |
| E      | Inner ring bore equal to a bore of the next larger bearing group |       |       |       |       |       | _____ |       |       |
| 20     | Shaft size in sixteenths of an inch                              |       |       |       |       |       |       | _____ |       |
| M30    | Shaft size in millimeters  |       |       |       |       |       |       | _____ |       |
| E      | Molded single lip seals  |       |       |       |       |       |       |       | _____ |

## Klean-Gard & Dura-Klean Ball Bearings Selection Guide

To select a bearing, determine the applied radial load, the applied thrust load, the desired Rating Life, and applicable operating conditions. The procedure shown here will aid in selecting a bearing to meet an L10 design life. The formulas for calculating life expectancy should be used to determine the Rating Life L10 for the bearing selected.

The selection procedures and rating formulas shown here are in agreement with The American Bearing Manufacturers Association Standards and ANSI/ABMA Standards STD 9-1990. Ratings are based on fatigue life. The Rating Life or fatiguelife at 90% reliability is the usual basis for bearing selection.

### Steps for Selection

#### Step 1

Determine an appropriate L10 design life.

| Type of service         | Operating time, hours per year | Design life, years | L10 design life, hours |
|-------------------------|--------------------------------|--------------------|------------------------|
| Light seasonal usage    | 500 to 750                     | 3-5                | 3,000                  |
| Heavy seasonal usage    | 1,400 to 1,600                 | 4-6                | 8,000                  |
| Industrial—8 hour shift | 2,000                          | 10                 | 20,000                 |

#### Step 2

Determine a required  $\left(\frac{C}{P}\right)$  from Table 1.

#### Step 3

Calculate the required C and select a ball bearing.

a For radial load only:

$$P = F_r$$

$$\text{required } C = \left(\frac{C}{P}\right)P \text{ using } \left(\frac{C}{P}\right) \text{ from Step 2}$$

Select a ball bearing from Table 3 with a basic load rating C equal to or greater than the required C.

b For combined radial and thrust loads when  $\frac{F_a}{F_r}$  is 0.19 or less:

$$P = F_r$$

$$\text{required } C = \left(\frac{C}{P}\right)P \text{ using } \left(\frac{C}{P}\right) \text{ from Step 2}$$

Select a ball bearing from Table 3 with a basic load rating C equal to or greater than the required C.

Series S200 and SS200 are extended on one side only for compactness and low cost. In combination with its companion line of economically designed housings, this series is applicable to light or moderate duty requirements. Also, economically designed housings must be applied within proportionate load limits.

To assure a satisfactory bearing application, fitting practice, mounting, lubrication, sealing, static rating, housing strength, operating conditions and maintenance must be considered.

#### Step 3 (continued)

c For combined radial and thrust loads when  $\frac{F_a}{F_r}$  is greater than 0.19, use the following trial method:

$$\text{Maximum } P = .56F_r + 2.30F_a$$

$$\text{Maximum required } C = \left(\frac{C}{P}\right)P \text{ using } \left(\frac{C}{P}\right) \text{ from Step 2}$$

Select a trial ball bearing with a basic load rating C from Table 3 approximately equal to the maximum required C.

With this trial bearing calculate:  $\frac{F_a}{Nd^2}$

Determine X and Y from Table 2.

Calculate P for the trial bearing.

$$P = XF_r + YF_a$$

$$\text{required } C = \left(\frac{C}{P}\right)P \text{ for the trial bearing using } \left(\frac{C}{P}\right) \text{ from Step 2}$$

Consult Table 3, basic load rating. If a smaller bearing meets or nearly meets the required C, its life expectancy can be calculated.

Note: If the load P is greater than .15C for series S200 and SS200, consult Rexnord Bearing Products.



## Selection

### Symbols for formulas:

- C = basic load rating, pounds (or newtons)
- Co = static load rating, pounds (or newtons)
- e = a reference value
- Fa = thrust load, pounds (or newtons)
- Fr = radial load, pounds (or newtons)
- L10 = rating life, hours
- n = speed, revolutions per minute
- P = equivalent radial load, pounds (or newtons)
- X = radial factor
- Y = thrust factor

**Table 1 • Relation of L10 life and speed to  $\left(\frac{C}{P}\right)$**

| Bearing life, hours<br>L <sub>10</sub> | $\left(\frac{C}{P}\right)$ ratio |      |      |      |      |      |      |      |      |  |
|--|----------------------------------|------|------|------|------|------|------|------|------|--|
|  | Speed, n                         |      |      |      |      |      |      |      |      |  |
|  | 50                               | 100  | 200  | 300  | 400  | 500  | 600  | 700  | 800  |  |
| 3000                                   | 2.08                             | 2.62 | 3.30 | 3.77 | 4.15 | 4.47 | 4.75 | 5.01 | 5.23 |  |
| 4000                                   | 2.29                             | 2.88 | 3.63 | 4.15 | 4.57 | 4.92 | 5.23 | 5.51 | 5.76 |  |
| 5000                                   | 2.46                             | 3.10 | 3.91 | 4.47 | 4.92 | 5.30 | 5.64 | 5.93 | 6.20 |  |
| 6000                                   | 2.62                             | 3.30 | 4.15 | 4.75 | 5.23 | 5.64 | 5.99 | 6.30 | 6.59 |  |
| 8000                                   | 2.88                             | 3.63 | 4.57 | 5.23 | 5.76 | 6.20 | 6.59 | 6.94 | 7.25 |  |
| 10000                                  | 3.10                             | 3.91 | 4.92 | 5.64 | 6.20 | 6.68 | 7.10 | 7.47 | 7.81 |  |
| 12000                                  | 3.30                             | 4.15 | 5.23 | 5.99 | 6.59 | 7.10 | 7.54 | 7.94 | 8.30 |  |
| 14000                                  | 3.47                             | 4.37 | 5.51 | 6.30 | 6.94 | 7.47 | 7.94 | 8.36 | 8.74 |  |
| 16000                                  | 3.63                             | 4.57 | 5.76 | 6.59 | 7.25 | 7.81 | 8.30 | 8.74 | 9.14 |  |
| 18000                                  | 3.77                             | 4.75 | 5.99 | 6.86 | 7.54 | 8.13 | 8.63 | 9.09 | 9.50 |  |
| 20000                                  | 3.91                             | 4.92 | 6.20 | 7.10 | 7.81 | 8.42 | 8.94 | 9.41 | 9.84 |  |
| 25000                                  | 4.21                             | 5.30 | 6.68 | 7.65 | 8.42 | 9.07 | 9.63 | 10.1 | 10.6 |  |
| 30000                                  | 4.47                             | 5.64 | 7.10 | 8.13 | 8.94 | 9.63 | 10.2 | 10.8 | 11.3 |  |
| 35000                                  | 4.71                             | 5.93 | 7.47 | 8.55 | 9.41 | 10.1 | 10.8 | 11.3 | 11.9 |  |
| 40000                                  | 4.92                             | 6.20 | 7.81 | 8.94 | 9.84 | 10.6 | 11.3 | 11.9 | 12.4 |  |
| 45000                                  | 5.12                             | 6.45 | 8.13 | 9.30 | 10.2 | 11.0 | 11.7 | 12.3 | 12.9 |  |
| 50000                                  | 5.30                             | 6.68 | 8.42 | 9.63 | 10.6 | 11.4 | 12.1 | 12.8 | 13.4 |  |
| 60000                                  | 5.64                             | 7.10 | 8.94 | 10.2 | 11.3 | 12.1 | 12.9 | 13.6 | 14.2 |  |
| 70000                                  | 5.93                             | 7.47 | 9.41 | 10.8 | 11.9 | 12.8 | 13.6 | 14.3 | 14.9 |  |
| 80000                                  | 6.20                             | 7.81 | 9.84 | 11.3 | 12.4 | 13.4 | 14.2 | 14.9 | 15.6 |  |
| 90000                                  | 6.45                             | 8.13 | 10.2 | 11.7 | 12.9 | 13.9 | 14.8 | 15.5 | 16.2 |  |
| 100000                                 | 6.68                             | 8.42 | 10.6 | 12.1 | 13.4 | 14.4 | 15.3 | 16.1 | 16.8 |  |
| 150000                                 | 7.65                             | 9.63 | 12.1 | 13.9 | 15.3 | 16.5 | 17.5 | 18.4 | 19.3 |  |
| 200000                                 | 8.42                             | 10.6 | 13.4 | 15.3 | 16.8 | 18.1 | 19.3 | 20.3 | 21.2 |  |

|        | Speed, n |      |      |      |      |      |      |      |       |  |
|--------|----------|------|------|------|------|------|------|------|-------|--|
|        | 900      | 1000 | 1200 | 1500 | 1800 | 2400 | 3600 | 6000 | 10000 |  |
| 3000   | 5.44     | 5.64 | 5.99 | 6.45 | 6.86 | 7.54 | 8.63 | 10.2 | 12.1  |  |
| 4000   | 5.99     | 6.20 | 6.59 | 7.10 | 7.54 | 8.30 | 9.50 | 11.3 | 13.4  |  |
| 5000   | 6.45     | 6.68 | 7.10 | 7.65 | 8.13 | 8.94 | 10.2 | 12.1 | 14.4  |  |
| 6000   | 6.86     | 7.10 | 7.54 | 8.13 | 8.63 | 9.50 | 10.9 | 12.9 | 15.3  |  |
| 8000   | 7.54     | 7.81 | 8.30 | 8.94 | 9.50 | 10.5 | 12.0 | 14.2 | 16.8  |  |
| 10000  | 8.13     | 8.42 | 8.94 | 9.63 | 10.2 | 11.3 | 12.9 | 15.3 | 18.1  |  |
| 12000  | 8.63     | 8.94 | 9.50 | 10.2 | 10.9 | 12.0 | 13.7 | 16.2 | 19.3  |  |
| 14000  | 9.09     | 9.41 | 10.0 | 10.8 | 11.4 | 12.6 | 14.4 | 17.1 | 20.3  |  |
| 16000  | 9.50     | 9.84 | 10.5 | 11.3 | 12.0 | 13.2 | 15.1 | 17.9 | 21.2  |  |
| 18000  | 9.88     | 10.2 | 10.9 | 11.7 | 12.4 | 13.7 | 15.7 | 18.6 | 22.0  |  |
| 20000  | 10.2     | 10.6 | 11.3 | 12.1 | 12.9 | 14.2 | 16.2 | 19.3 | 22.8  |  |
| 25000  | 11.0     | 11.4 | 12.1 | 13.1 | 13.9 | 15.3 | 17.5 | 20.7 | 24.6  |  |
| 30000  | 11.7     | 12.1 | 12.9 | 13.9 | 14.8 | 16.2 | 18.6 | 22.0 | 26.1  |  |
| 35000  | 12.3     | 12.8 | 13.6 | 14.6 | 15.5 | 17.1 | 19.6 | 23.2 | 27.5  |  |
| 40000  | 12.9     | 13.4 | 14.2 | 15.3 | 16.2 | 17.9 | 20.5 | 24.3 | 28.7  |  |
| 45000  | 13.4     | 13.9 | 14.8 | 15.9 | 16.9 | 18.6 | 21.3 | 25.2 | 29.9  |  |
| 50000  | 13.9     | 14.4 | 15.3 | 16.5 | 17.5 | 19.3 | 22.0 | 26.1 | 31.0  |  |
| 60000  | 14.8     | 15.3 | 16.2 | 17.5 | 18.6 | 20.5 | 23.4 | 27.8 | 32.9  |  |
| 70000  | 15.5     | 16.1 | 17.1 | 18.4 | 19.6 | 21.5 | 24.6 | 29.2 | 34.6  |  |
| 80000  | 16.2     | 16.8 | 17.9 | 19.3 | 20.5 | 22.5 | 25.8 | 30.5 | 36.2  |  |
| 90000  | 16.9     | 17.5 | 18.6 | 20.0 | 21.3 | 23.4 | 26.8 | 31.8 | 37.7  |  |
| 100000 | 17.5     | 18.1 | 19.3 | 20.7 | 22.0 | 24.3 | 27.8 | 32.9 | 39.0  |  |
| 150000 | 20.0     | 20.7 | 22.0 | 23.7 | 25.2 | 27.8 | 31.8 | 37.7 | 44.6  |  |
| 200000 | 22.0     | 22.8 | 24.3 | 26.1 | 27.8 | 30.5 | 35.0 | 41.4 | 49.1  |  |

## Basic formula

$$\left(\frac{C}{P}\right) = \left(\frac{L_{10} \times n \times 60}{1,000,000}\right)^{1/3}$$

$$L_{10} = \frac{\left(\frac{C}{P}\right)^3 \times 1,000,000}{n \times 60}$$

## Life Expectancy

To calculate the Rating Life L<sub>10</sub> of any selected or trial bearing:

**Step 1** Determine the equivalent radial load P.

- a For radial load only:  
P = Fr
- b For combined radial and thrust load:  
P = XFr + YFa using X and Y from Table 2 below.

**Step 2** Calculate the ratio of basic load rating C to the equivalent radial load.

$$\left(\frac{C}{P}\right)$$

**Step 3** Approximate the bearing life from Table 1.

**Table 2 • X and Y factors for ball bearings**

| Fa<br>Nd <sup>2</sup> | e   | Fa<br>Fr ≤ e |   | Fa<br>Fr > e |      |
|-----------------------|-----|--------------|---|--------------|------|
|                       |     | X            | Y | X            | Y    |
| 25                    | .19 | 1.0          | 0 | .56          | 2.30 |
| 37.5                  | .21 | 1.0          | 0 | .56          | 2.15 |
| 50                    | .22 | 1.0          | 0 | .56          | 1.99 |
| 75                    | .24 | 1.0          | 0 | .56          | 1.85 |
| 100                   | .26 | 1.0          | 0 | .56          | 1.71 |
| 125                   | .27 | 1.0          | 0 | .56          | 1.63 |
| 150                   | .28 | 1.0          | 0 | .56          | 1.56 |
| 200                   | .30 | 1.0          | 0 | .56          | 1.45 |
| 300                   | .34 | 1.0          | 0 | .56          | 1.31 |
| 500                   | .38 | 1.0          | 0 | .56          | 1.15 |
| 750                   | .42 | 1.0          | 0 | .56          | 1.04 |
| 1000                  | .44 | 1.0          | 0 | .56          | 1.00 |

For values between those in the table linear interpolation can be used.

### Life Adjustment

The Rating Life, L<sub>10</sub>, may be modified for some applications in accordance with the formula

$$L'_n = a_1 a_2 a_3 L_{10}$$

where L'<sub>n</sub> = Adjusted life for (100-n) % reliability,

- a<sub>1</sub> = Life adjustment factor for reliability
- a<sub>2</sub> = Life adjustment factor for material and processing
- a<sub>3</sub> = Life adjustment factor for operating conditions.

For most normal applications, all factors will be taken as 1, and the Rating Life used as the selection basis or life estimate. In addition, as long as standard catalog bearings are used, a<sub>2</sub> will be normally set equal to one. The factor a<sub>3</sub> covers such things as lubrication, misalignment, and temperature. Some conditions that could yield a<sub>3</sub> significantly different than unity include speeds less than 20000 DN or greater than 200000 DN, temperatures below -40°F (-40°C) or above 275°F (135°C). For other possible conditions, as well as additional information on life adjustment factors, consult Rexnord Bearing Products.

**Table 3 • Load ratings, speed limits and ball data**

| Size Code | Co Static Load Rating |        | C Basic Load Rating |        | Approximate Speed Limit RPM* | d Ball diameter inches | N Number of balls | Nd2  |
|-----------|-----------------------|--------|---------------------|--------|------------------------------|------------------------|-------------------|------|
|           | newtons               | pounds | newtons             | pounds |                              |                        |                   |      |
| 204       | 6,590                 | 1480   | 9,830               | 2210   | 7500                         | 5/16                   | 8                 | .781 |
| 205       | 7,830                 | 1760   | 10,810              | 2430   | 6800                         | 5/16                   | 9                 | .879 |
| 206       | 11,300                | 2530   | 15,030              | 3380   | 5600                         | 3/8                    | 9                 | 1.27 |
| 207       | 15,300                | 3440   | 19,880              | 4470   | 4800                         | 7/16                   | 9                 | 1.72 |
| 208       | 19,900                | 4460   | 25,100              | 5640   | 4500                         | 1/2                    | 9                 | 2.25 |
| 209       | 20,400                | 4590   | 25,220              | 5670   | 4000                         | 1/2                    | 9                 | 2.25 |
| 210       | 23,200                | 5220   | 27,090              | 6090   | 3600                         | 1/2                    | 10                | 2.50 |

If the load P is greater than .15C for S200 and SS200 consult Rexnord Bearing Products.

\*Based on grease lubrication and moderate load.

**Table 4 • Radial load ratings in pounds at various RPM for appropriate L<sub>10</sub> life hours**

| Size Code | L <sub>10</sub> Minimum life hours | Radial Load Ratings, Pounds/Speed, RPM |      |      |      |      |     |     |     |     |     |      |      |      |      |      |      |      |      |      |      |
|-----------|------------------------------------|--|------|------|------|------|-----|-----|-----|-----|-----|------|------|------|------|------|------|------|------|------|------|
|           |                                    | 50                                     | 100  | 200  | 300  | 400  | 500 | 600 | 700 | 800 | 900 | 1000 | 1200 | 1500 | 1800 | 2000 | 2500 | 3000 | 3500 | 4000 | 5000 |
| 204       | 8000                               | ...                                    | ...  | 489  | 427  | 387  | 361 | 341 | 323 | 310 | 297 | 286  | 270  | 253  | 237  | 230  | 213  | 201  | 191  | 183  | 170  |
|           | 20000                              | ...                                    | 451  | 361  | 314  | 288  | 268 | 253 | 239 | 228 | 220 | 213  | 201  | 186  | 176  | 170  | 158  | 149  | 142  | 136  | 126  |
|           | 40000                              | 454                                    | 361  | 288  | 253  | 228  | 213 | 201 | 191 | 183 | 176 | 170  | 160  | 149  | 140  | 136  | 127  | 119  | 114  | 109  | 96   |
|           | 100000                             | 331                                    | 263  | 209  | 182  | 166  | 154 | 145 | 137 | 131 | 126 | 122  | 115  | 107  | 100  | 97   | 90   | 85   | 80   | 77   | 71   |
| 205       | 8000                               | ...                                    | ...  | 537  | 469  | 425  | 396 | 374 | 355 | 340 | 326 | 314  | 297  | 277  | 260  | 253  | 234  | 220  | 210  | 201  | 186  |
|           | 20000                              | ...                                    | 496  | 396  | 345  | 316  | 294 | 277 | 263 | 250 | 242 | 234  | 220  | 205  | 193  | 187  | 173  | 163  | 155  | 149  | 138  |
|           | 40000                              | 498                                    | 396  | 316  | 277  | 250  | 234 | 220 | 209 | 201 | 193 | 186  | 176  | 163  | 154  | 149  | 139  | 131  | 124  | 119  | 111  |
|           | 100000                             | 364                                    | 289  | 229  | 200  | 182  | 169 | 159 | 151 | 144 | 139 | 134  | 126  | 117  | 110  | 106  | 99   | 93   | 88   | 84   | 78   |
| 206       | 8000                               | ...                                    | ...  | 745  | 651  | 590  | 549 | 519 | 492 | 471 | 451 | 434  | 411  | 384  | 360  | 350  | 323  | 304  | 290  | 277  | 257  |
|           | 20000                              | ...                                    | 688  | 549  | 378  | 438  | 407 | 384 | 363 | 346 | 335 | 323  | 304  | 282  | 267  | 258  | 239  | 225  | 214  | 205  | 191  |
|           | 40000                              | 691                                    | 549  | 438  | 384  | 346  | 323 | 304 | 289 | 277 | 266 | 257  | 243  | 225  | 212  | 206  | 191  | 180  | 171  | 164  | 152  |
|           | 100000                             | 505                                    | 401  | 318  | 278  | 252  | 234 | 221 | 209 | 200 | 193 | 186  | 175  | 162  | 153  | 148  | 137  | 129  | 123  | 117  | 109  |
| 207       | 8000                               | ...                                    | ...  | 984  | 859  | 778  | 725 | 684 | 649 | 622 | 595 | 573  | 541  | 506  | 474  | 461  | 426  | 401  | 381  | 365  | 338  |
|           | 20000                              | ...                                    | 908  | 725  | 631  | 577  | 537 | 506 | 479 | 456 | 441 | 426  | 401  | 372  | 351  | 339  | 314  | 296  | 282  | 270  | 250  |
|           | 40000                              | 912                                    | 759  | 577  | 506  | 456  | 426 | 401 | 380 | 365 | 351 | 338  | 319  | 296  | 279  | 271  | 251  | 236  | 224  | 216  | 200  |
|           | 100000                             | 668                                    | 530  | 421  | 367  | 334  | 310 | 292 | 277 | 265 | 255 | 246  | 231  | 215  | 202  | 195  | 181  | 171  | 162  | 155  | 144  |
| 208       | 8000                               | ...                                    | ...  | 1100 | 968  | 877  | 816 | 771 | 731 | 701 | 670 | 645  | 610  | 569  | 534  | 519  | 479  | 451  | 429  | 411  | 381  |
|           | 20000                              | ...                                    | 1020 | 816  | 711  | 650  | 605 | 569 | 539 | 514 | 496 | 479  | 451  | 419  | 395  | 382  | 354  | 333  | 317  | 304  | 282  |
|           | 40000                              | 1020                                   | 816  | 650  | 569  | 514  | 480 | 452 | 428 | 411 | 395 | 380  | 359  | 334  | 313  | 304  | 282  | 266  | 252  | 242  | 225  |
|           | 100000                             | 752                                    | 597  | 474  | 414  | 376  | 349 | 328 | 312 | 298 | 287 | 277  | 261  | 242  | 228  | 220  | 204  | 192  | 182  | 174  | 162  |
| 209       | 8000                               | ...                                    | ...  | 1240 | 1080 | 986  | 918 | 867 | 821 | 787 | 753 | 725  | 685  | 640  | 600  | 583  | 539  | 507  | 482  | 462  | 428  |
|           | 20000                              | ...                                    | 1150 | 918  | 799  | 731  | 680 | 640 | 606 | 578 | 558 | 539  | 507  | 471  | 444  | 429  | 397  | 374  | 356  | 341  | 316  |
|           | 40000                              | 1150                                   | 918  | 731  | 640  | 578  | 539 | 507 | 481 | 461 | 443 | 427  | 404  | 375  | 352  | 342  | 317  | 298  | 283  | 272  | 252  |
|           | 100000                             | 847                                    | 672  | 534  | 466  | 423  | 393 | 370 | 351 | 336 | 323 | 312  | 294  | 273  | 256  | 248  | 230  | 216  | 205  | 197  | 182  |
| 210       | 8000                               | ...                                    | ...  | 1330 | 1160 | 1050 | 985 | 931 | 882 | 845 | 809 | 778  | 736  | 687  | 644  | 626  | 578  | 544  | 518  | 496  | 466  |
|           | 20000                              | ...                                    | 1230 | 985  | 858  | 785  | 730 | 687 | 651 | 620 | 599 | 578  | 544  | 505  | 476  | 461  | 426  | 401  | 382  | 366  | 336  |
|           | 40000                              | 1240                                   | 985  | 785  | 687  | 620  | 597 | 545 | 517 | 495 | 476 | 459  | 433  | 402  | 378  | 367  | 340  | 320  | 304  | 292  | 262  |
|           | 100000                             | 909                                    | 722  | 573  | 500  | 455  | 422 | 397 | 377 | 361 | 347 | 335  | 315  | 293  | 275  | 266  | 247  | 232  | 221  | 211  | 182  |

Operation in the high speed shaded areas requires frequent relubrication.

Heavy lines define recommended speed ranges of bearing and seal variations.

If the load P is greater than .15C for S200 and SS200 consult Rexnord Bearing Products.

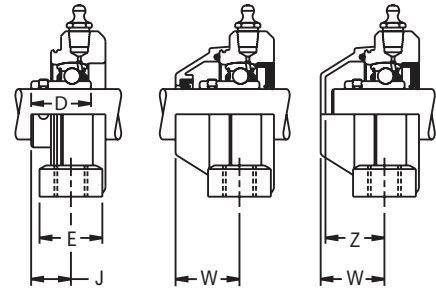
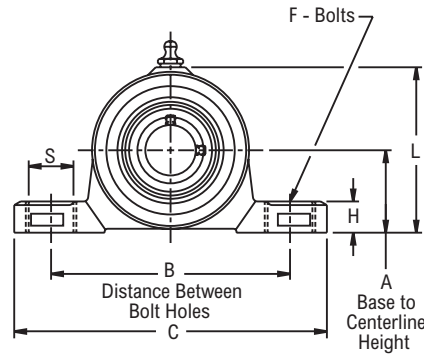
# KLPSS200



Photo Shows a 2-Bolt Ball Bearing Pillow Block Unit with Stainless Steel Insert and Polypropylene Housing

## Product Features

- Reinforced Polypropylene housing
- Stainless steel bearing insert
- Stainless steel bushing & washers
- Alignable & relubricatable
- Spring locking setscrew mount
- Prelubricated with food grade grease
- See Features & Benefits for additional info.



Basic Unit      Open Unit with Auxiliary Seals      Closed Unit with End Cap and Seal

KLP-SS200      KLP-SS200D      KLP-SS200DC

## Bearing Dimensions

| Size Code | Shaft Diameter | Polypropylene |  | A<br>Base to Centerline Height | B<br>Distance Between Bolt Holes | C       | D       | E       | F     | H     | J       | L       | S     | W       | Z       | Approx. Weight |
|-----------|----------------|---------------|--|--------------------------------|----------------------------------|---------|---------|---------|-------|-------|---------|---------|-------|---------|---------|----------------|
|           |                | Part Number   |  |                                |                                  |         |         |         |       |       |         |         |       |         |         |                |
| 204       | 3/4            | KLPSS212      |  | 1 5/16                         | 3 25/32                          | 5 1/32  | 1 1/8   | 1 3/16  | 3/8   | 43/64 | 3/4     | 3 1/32  | 7/8   | 1 7/32  | 1 1/8   | 1.50           |
|           | 20.00          | KLPSS2M20     |  | 33.30                          | 96.00                            | 128.00  | 28.58   | 30.00   | 10.00 | 17.00 | 19.00   | 77.00   | 22.00 | 30.80   | 28.80   | 0.68           |
| 205       | 1              | KLPSS216      |  | 1 7/16                         | 4 11/64                          | 5 31/64 | 1 3/16  | 1 23/64 | 3/6   | 43/64 | 13/16   | 3 11/32 | 7/6   | 1 9/32  | 1 13/64 | 1.80           |
|           | 25.00          | KLPSS2M25     |  | 36.50                          | 106.00                           | 140.00  | 30.17   | 34.50   | 10.00 | 17.00 | 20.60   | 85.00   | 22.00 | 32.70   | 30.70   | 0.80           |
| 206       | 1 3/16         | KLPSS219      |  | 1 11/16                        | 4 49/64                          | 6 27/64 | 1 11/32 | 1 27/64 | 1/2   | 25/32 | 61/64   | 3 55/64 | 15/16 | 1 3/8   | 1 19/64 | 1.80           |
|           | 1 1/4          | KLPSS2E20     |  |                                |                                  |         |         |         |       |       |         |         |       |         |         |                |
|           | 30.00          | KLPSS2M30     |  | 42.90                          | 121.00                           | 163.00  | 34.13   | 36.00   | 12.00 | 20.00 | 24.20   | 98.00   | 24.00 | 35.00   | 33.00   | 0.80           |
| 207       | 1 1/4          | KLPSS220      |  | 1 7/8                          | 4 31/32                          | 6 37/64 | 1 9/16  | 1 33/64 | 1/2   | 25/32 | 1 7/64  | 4 1/4   | 15/16 | 1 9/16  | 1 15/32 | 2.00           |
|           | 1 3/8          | KLPSS222      |  |                                |                                  |         |         |         |       |       |         |         |       |         |         |                |
|           | 1 7/16         | KLPSS223      |  |                                |                                  |         |         |         |       |       |         |         |       |         |         |                |
|           | 35.00          | KLPSS2M35     |  | 47.60                          | 126.00                           | 167.00  | 39.67   | 38.60   | 12.00 | 20.00 | 28.20   | 108.00  | 24.00 | 39.50   | 37.50   | 0.90           |
| 208       | 1 1/2          | KLPSS224      |  | 2                              | 5 11/32                          | 7 9/32  | 1 11/16 | 1 33/64 | 1/2   | 25/32 | 1 13/64 | 4 13/32 | 15/16 | 1 41/64 | 1 9/16  | 2.20           |
|           | 40.00          | KLPSS2M40     |  | 50.80                          | 136.00                           | 185.00  | 42.87   | 38.60   | 12.00 | 20.00 | 30.60   | 112.00  | 24.00 | 41.60   | 39.60   | 1.00           |

## Additional Notes

- Please call 1-866-REXNORD for availability
- Lubrication fitting tap size, Rp 1/8" parallel thread per ISO 7/1 latest revision
- Note: 1/8" PT external thread will not fit
- Polypropylene housings furnished with nitrile rubber seals, o-ring & AISI 316 stainless steel bushings and washers
- For the Selection Guide, Load Ratings and Speed Limits, see the Klean-Gard/Dura-Klean Engineering section
- Note: Dimensions subject to change. Certified dimensions of ordered material furnished on request.

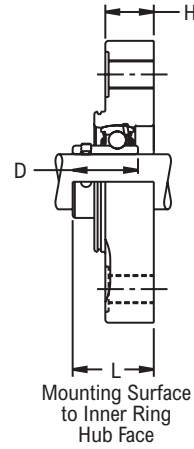
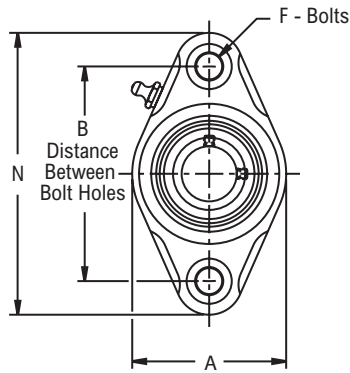
## KLFXSS200



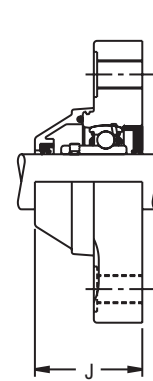
Photo Shows a 2-Bolt Ball Bearing Flanged Unit with Stainless Steel Insert and Polypropylene Housing

### Product Features

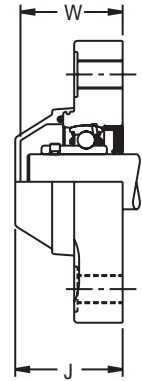
- Reinforced Polypropylene housing
- Stainless steel bearing insert
- Stainless steel bushing & washers
- Spring locking setscrew mount
- Alignable & relubricatable
- Prelubricated with food grade grease
- See Features & Benefits for additional info.



Basic Unit  
KLFX-SS200



Open Unit with Auxiliary Seals  
KLFX-SS200D



Closed Unit with End Cap and Seal  
KLFX-SS200DC

### Bearing Dimensions

| Size Code | Shaft Diameter | Polypropylene |  | B Distance Between Bolt Holes | L Mounting Surface to Inner Ring Hub Face | A       | D       | F     | H      | J       | N       | W       | Approx. Weight |
|-----------|----------------|---------------|--|-------------------------------|---|---------|---------|-------|--------|---------|---------|---------|----------------|
|           |                | Part Number   |  |                               |   |         |         |       |        |         |         |         |                |
| 204       | 3/4            | KLFXSS212     |  | 3.54                          | 1 23/64                                   | 2 7/16  | 1 1/8   | 7/16  | 51/64  | 1 13/16 | 4 9/16  | 1 11/16 | 0.90           |
|           | 20.00          | KLFXSS2M20    |  | 90.00                         | 34.30                                     | 62.00   | 28.58   | 11.00 | 20.00  | 46.00   | 116.00  | 43.00   | 0.41           |
| 205       | 1              | KLFXSS216     |  | 3.90                          | 1 15/32                                   | 2 13/16 | 1 3/16  | 7/16  | 7/8    | 1 61/64 | 5 1/8   | 1 7/8   | 1.00           |
|           | 25.00          | KLFXSS2M25    |  | 99.00                         | 37.30                                     | 71.00   | 30.17   | 11.00 | 22.50  | 49.50   | 130.00  | 47.50   | 0.45           |
| 206       | 1 3/16         | KLFXSS219     |  | 4.61                          | 1 3/4                                     | 3 11/32 | 1 11/32 | 7/16  | 1 1/64 | 2 11/64 | 5 53/64 | 2 3/32  | 1.25           |
|           | 1 1/4          | KLFXSS2E20    |  |                               |   |         |         |       |        |         |         |         |                |
|           | 30.00          | KLFXSS2M30    |  |                               |   |         |         |       |        |         |         |         |                |
| 207       | 1 1/4          | KLFXSS220     |  | 5.12                          | 1 7/8                                     | 3 21/32 | 1 9/16  | 7/16  | 1 1/64 | 2 21/64 | 6 3/8   | 2 1/4   | 1.50           |
|           | 1 3/8          | KLFXSS222     |  |                               |   |         |         |       |        |         |         |         |                |
|           | 1 7/16         | KLFXSS223     |  |                               |   |         |         |       |        |         |         |         |                |
|           | 35.00          | KLFXSS2M35    |  | 130.00                        | 47.70                                     | 93.00   | 39.67   | 11.00 | 26.00  | 59.00   | 162.00  | 57.00   | 0.68           |
| 208       | 1 1/2          | KLFXSS224     |  | 5.67                          | 2 1/16                                    | 4 1/64  | 1 11/16 | 7/16  | 1 3/16 | 2 37/64 | 6 59/64 | 2 15/32 | 2.00           |
|           | 40.00          | KLFXSS2M40    |  | 144.00                        | 52.40                                     | 102.00  | 42.87   | 11.00 | 30.00  | 65.50   | 176.00  | 62.50   | 0.90           |

### Additional Notes

- Please call 1-866-REXNORD for availability
- Lubrication fitting tap size, Rp 1/8" parallel thread per ISO 7/1 latest revision
- Note: 1/8" PT external thread will not fit
- Polypropylene housings furnished with nitrile rubber seals, o-ring & AISI 316 stainless steel bushings and washers
- For the Selection Guide, Load Ratings and Speed Limits, see the Klean-Gard/Dura-Klean Engineering section
- Note: Dimensions subject to change. Certified dimensions of ordered material furnished on request.

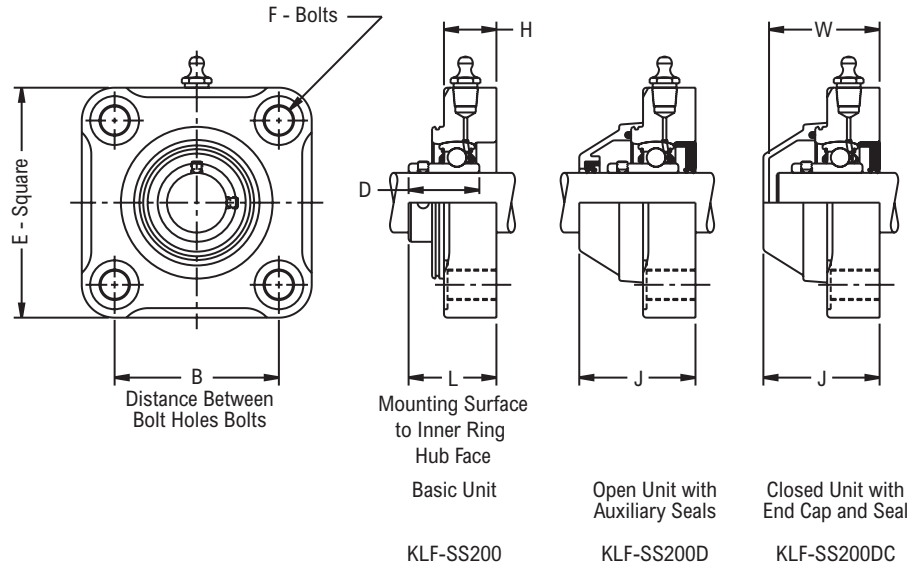
# KLFSS200



Photo Shows a 4-Bolt Ball Bearing Flanged Unit with Stainless Steel Insert and Polypropylene Housing

## Product Features

- Reinforced Polypropylene housing
- Stainless steel bearing insert
- Stainless steel bushing & washers
- Spring locking setscrew mount
- Alignable & relubricatable
- Prelubricated with food grade grease
- See Features & Benefits for additional info.



## Bearing Dimensions

| Size Code | Shaft Diameter                 | Polypropylene    |  | B Distance Between Bolt Holes | L Mounting Surface to Inner Ring Hub Face | D                               | E                               | F                | H                              | J                               | W                               | Approx. Weight |              |                  |              |               |                                    |                                     |                                    |                        |                                    |
|-----------|--------------------------------|------------------|--|-------------------------------|---|---------------------------------|---------------------------------|------------------|--------------------------------|---------------------------------|---------------------------------|----------------|--------------|------------------|--------------|---------------|------------------------------------|-------------------------------------|------------------------------------|------------------------|------------------------------------|
|           |                                | Part Number      |  |                               |   |                                 |                                 |                  |                                |                                 |                                 |                |              |                  |              |               |                                    |                                     |                                    |                        |                                    |
| 205       | 1                              | KLFSS216         |  | 2.76                          | 1 <sup>15</sup> / <sub>32</sub>           | 1 <sup>3</sup> / <sub>16</sub>  | 3 <sup>55</sup> / <sub>64</sub> | 7/ <sub>16</sub> | 7/ <sub>8</sub>                | 1 <sup>61</sup> / <sub>64</sub> | 1 <sup>7</sup> / <sub>8</sub>   | 0.90           |              |                  |              |               |                                    |                                     |                                    |                        |                                    |
|           | 25.00                          | <b>KLFSS2M25</b> |  | <b>70.00</b>                  | <b>37.30</b>                              | <b>30.17</b>                    | <b>98.00</b>                    | <b>11.00</b>     | <b>22.50</b>                   | <b>49.50</b>                    | <b>47.50</b>                    | <b>0.41</b>    |              |                  |              |               |                                    |                                     |                                    |                        |                                    |
| 206       | 1 <sup>3</sup> / <sub>16</sub> | KLFSS219         |  | 3.27                          | 1 <sup>3</sup> / <sub>4</sub>             | 1 <sup>11</sup> / <sub>32</sub> | 4 <sup>21</sup> / <sub>64</sub> | 7/ <sub>16</sub> | 1 <sup>1</sup> / <sub>64</sub> | 2 <sup>11</sup> / <sub>64</sub> | 2 <sup>3</sup> / <sub>32</sub>  | 1.40           |              |                  |              |               |                                    |                                     |                                    |                        |                                    |
|           | 1 <sup>1</sup> / <sub>4</sub>  | KLFSS2E20        |  |                               |   |                                 |                                 |                  |                                |                                 |                                 |                | <b>83.00</b> | <b>44.20</b>     | <b>34.13</b> | <b>110.00</b> | <b>11.00</b>                       | <b>26.00</b>                        | <b>55.00</b>                       | <b>53.00</b>           | <b>0.63</b>                        |
| 207       | 1 <sup>1</sup> / <sub>4</sub>  | KLFSS220         |  | 3.62                          | 1 <sup>7</sup> / <sub>8</sub>             | 1 <sup>9</sup> / <sub>16</sub>  | 4 <sup>23</sup> / <sub>32</sub> | 7/ <sub>16</sub> | 1 <sup>1</sup> / <sub>64</sub> | 2 <sup>21</sup> / <sub>64</sub> | 2 <sup>1</sup> / <sub>4</sub>   | 1.90           |              |                  |              |               |                                    |                                     |                                    |                        |                                    |
|           | 1 <sup>3</sup> / <sub>8</sub>  | KLFSS222         |  |                               |   |                                 |                                 |                  |                                |                                 |                                 |                | <b>92.00</b> | <b>47.70</b>     | <b>39.67</b> | <b>120.00</b> | <b>11.00</b>                       | <b>26.00</b>                        | <b>59.00</b>                       | <b>57.00</b>           | <b>0.86</b>                        |
|           | 1 <sup>7</sup> / <sub>16</sub> | KLFSS223         |  |                               |   |                                 |                                 |                  |                                |                                 |                                 |                | <b>35.00</b> | <b>KLFSS2M35</b> |              | <b>4.02</b>   | <b>2<sup>1</sup>/<sub>16</sub></b> | <b>1<sup>11</sup>/<sub>16</sub></b> | <b>5<sup>5</sup>/<sub>32</sub></b> | <b>7/<sub>16</sub></b> | <b>1<sup>3</sup>/<sub>16</sub></b> |
| 208       | 1 <sup>1</sup> / <sub>2</sub>  | KLFSS224         |  | 4.02                          | 2 <sup>1</sup> / <sub>16</sub>            | 1 <sup>11</sup> / <sub>16</sub> | 5 <sup>5</sup> / <sub>32</sub>  | 7/ <sub>16</sub> | 1 <sup>3</sup> / <sub>16</sub> | 2 <sup>37</sup> / <sub>64</sub> | 2 <sup>15</sup> / <sub>32</sub> | 2.50           |              |                  |              |               |                                    |                                     |                                    |                        |                                    |
|           | 40.00                          | <b>KLFSS2M40</b> |  | <b>102.00</b>                 | <b>52.40</b>                              | <b>42.87</b>                    | <b>131.00</b>                   | <b>11.00</b>     | <b>30.00</b>                   | <b>65.50</b>                    | <b>62.50</b>                    | <b>1.13</b>    |              |                  |              |               |                                    |                                     |                                    |                        |                                    |

## Additional Notes

- Please call 1-866-REXNORD for availability
- Lubrication fitting tap size, Rp 1/8" parallel thread per ISO 7/1 latest revision
- Note: 1/8" PT external thread will not fit
- Polypropylene housings furnished with nitrile rubber seals, o-ring & AISI 316 stainless steel bushings and washers
- For the Selection Guide, Load Ratings and Speed Limits, see the Klean-Gard/Dura-Klean Engineering section
- Note: Dimensions subject to change. Certified dimensions of ordered material furnished on request.

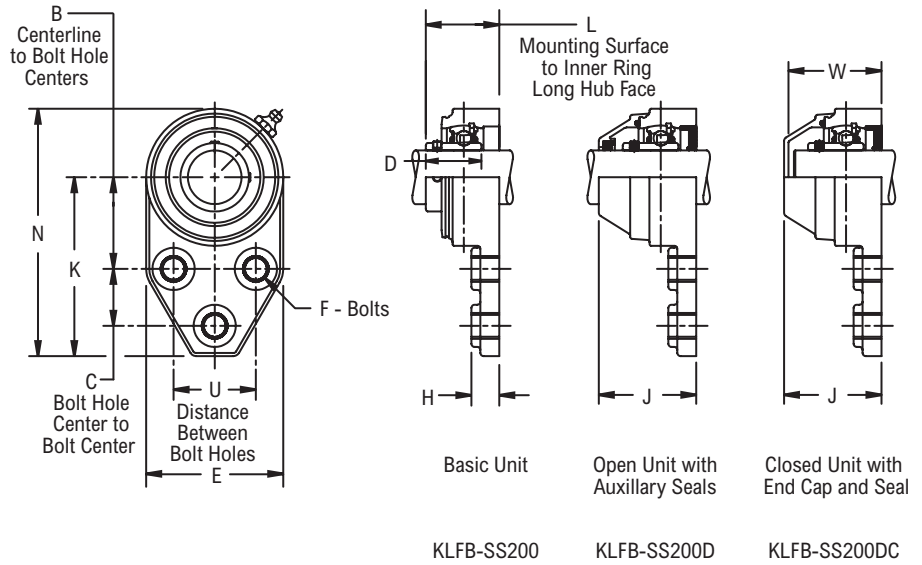
## KLFBS200



Photo Shows a 3-Bolt Ball Bearing Flanged Bracket Unit with Stainless Steel Insert and Polypropylene Housing

### Product Features

- Reinforced Polypropylene housing
- Stainless steel bearing insert
- Stainless steel bushing & washers
- Spring locking setscrew mount
- Alignable & relubricatable
- Prelubricated with food grade grease
- See Features & Benefits for additional info.



### Bearing Dimensions

| Size Code | Shaft Diameter | Polypropylene  | B<br>Centerline<br>to Bolt Hole<br>Center | C<br>Bolt Hole<br>Center to<br>Bolt Center | L<br>Mounting<br>Surface to<br>Inner Ring | U<br>Distance<br>Between<br>Bolt Holes | D       | E       | F     | H     | J       | K       | N       | W       | Approx.<br>Weight |
|-----------|----------------|----------------|---|--|---|--|---------|---------|-------|-------|---------|---------|---------|---------|-------------------|
|           |                | Part<br>Number |   |  |   |  |         |         |       |       |         |         |         |         |                   |
| 205       | 1              | KLFBS216       | 1 13/16                                   | 1 1/8                                      | 1 17/32                                   | 1 5/8                                  | 1 3/16  | 2 23/32 | 7/16  | 9/16  | 2 1/64  | 3 11/32 | 4 57/64 | 1 15/16 | 0.60              |
|           | 25.00          | KLFBS2M25      | 46.00                                     | 28.58                                      | 38.90                                     | 41.28                                  | 30.17   | 69.00   | 11.00 | 14.00 | 51.20   | 89.80   | 124.00  | 49.20   | 0.27              |
| 206       | 1 3/16         | KLFBS219       | 2 1/16                                    | 1 1/4                                      | 1 3/4                                     | 1 7/8                                  | 1 11/32 | 3 13/64 | 7/16  | 9/16  | 2 11/64 | 3 56/64 | 5 15/32 | 2 3/32  | 1.10              |
|           | 1 1/4          | KLFBS2E20      | 52.40                                     | 31.70                                      | 44.20                                     | 47.60                                  | 34.13   | 81.00   | 11.00 | 14.00 | 55.20   | 97.90   | 139.00  | 53.20   | 0.50              |
| 207       | 1 1/4          | KLFBS220       | 2 3/8                                     | 1 1/4                                      | 1 7/8                                     | 2                                      | 1 9/16  | 3 11/16 | 7/16  | 9/16  | 2 21/64 | 4 15/64 | 6 5/64  | 2 1/4   | 1.60              |
|           | 1 3/8          | KLFBS222       |   |  |   |  |         |         |       |       |         |         |         |         |                   |
|           | 1 7/16         | KLFBS223       |   |  |   |  |         |         |       |       |         |         |         |         |                   |
|           | 35.00          | KLFBS2M35      |   |  |   |  |         |         |       |       |         |         |         |         |                   |

### Additional Notes

- Please call 1-866-REXNORD for availability
- Lubrication fitting tap size, Rp 1/8" parallel thread per ISO 7/1 latest revision
- Note: 1/8" PT external thread will not fit
- Polypropylene housings furnished with nitrile rubber seals, o-ring & AISI 316 stainless steel bushings and washers
- For the Selection Guide, Load Ratings and Speed Limits, see the Klean-Gard/Dura-Klean Engineering section
- Note: Dimensions subject to change. Certified dimensions of ordered material furnished on request.

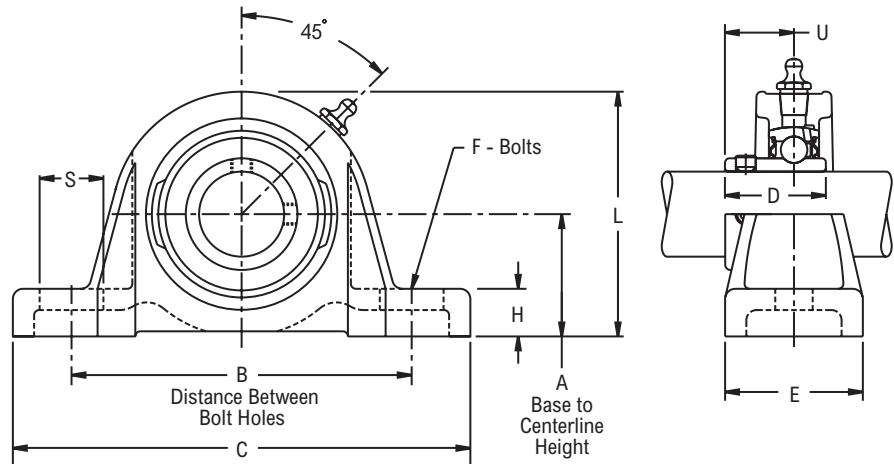
# WP3S200



Photo Shows a 2-Bolt Ball Bearing Pillow Block Unit with Nylon Coated Housing

## Product Features

- Corrosion resistant nylon coating
- Cast iron housing
- Inner & outer rings black oxide coated
- Spring locking setscrew mount
- Alignable & relubricatable
- Prelubricated with food grade grease
- See Features & Benefits for additional info



## Bearing Dimensions

| Size Code | Shaft Diameter                  | Part Number | A Base to Centerline Height     | B Distance Between Bolt Holes   | C                              | D                               | E                             | F                           | H                             | L                               | S                             | U                               | W                               | Approx. Weight |
|-----------|---------------------------------|-------------|---------------------------------|---------------------------------|--------------------------------|---------------------------------|-------------------------------|-----------------------------|-------------------------------|---------------------------------|-------------------------------|---------------------------------|---------------------------------|----------------|
| 204       | <sup>3</sup> / <sub>4</sub>     | WP3S212E    | 1 <sup>5</sup> / <sub>16</sub>  | 3 <sup>7</sup> / <sub>8</sub>   | 5 <sup>1</sup> / <sub>8</sub>  | 1 <sup>1</sup> / <sub>8</sub>   | 1 <sup>1</sup> / <sub>2</sub> | <sup>3</sup> / <sub>8</sub> | <sup>1</sup> / <sub>2</sub>   | 2 <sup>19</sup> / <sub>32</sub> | <sup>11</sup> / <sub>16</sub> | <sup>3</sup> / <sub>4</sub>     | 1 <sup>19</sup> / <sub>64</sub> | 1.60           |
|           | 20.00                           | WP3S2M20E   | 33.34                           | 98.40                           | 130.20                         | 28.58                           | 38.10                         | 10.00                       | 12.70                         | 65.90                           | 17.50                         | 19.00                           | 32.90                           | 0.72           |
| 205       | <sup>7</sup> / <sub>8</sub>     | WP3S214E    | 1 <sup>7</sup> / <sub>16</sub>  | 4                               | 5 <sup>3</sup> / <sub>8</sub>  | 1 <sup>11</sup> / <sub>64</sub> | 1 <sup>5</sup> / <sub>8</sub> | <sup>3</sup> / <sub>8</sub> | <sup>9</sup> / <sub>16</sub>  | 2 <sup>7</sup> / <sub>8</sub>   | <sup>11</sup> / <sub>16</sub> | <sup>13</sup> / <sub>16</sub>   | 1 <sup>9</sup> / <sub>32</sub>  | 1.90           |
|           | <sup>15</sup> / <sub>16</sub>   | WP3S215E    |                                 |                                 |                                |                                 |                               |                             |                               |                                 |                               |                                 |                                 |                |
| 206       | 1                               | WP3S216E    | 1 <sup>11</sup> / <sub>16</sub> | 4 <sup>5</sup> / <sub>8</sub>   | 6 <sup>5</sup> / <sub>16</sub> | 1 <sup>11</sup> / <sub>32</sub> | 1 <sup>3</sup> / <sub>4</sub> | <sup>1</sup> / <sub>2</sub> | <sup>11</sup> / <sub>16</sub> | 3 <sup>5</sup> / <sub>16</sub>  | <sup>15</sup> / <sub>16</sub> | <sup>61</sup> / <sub>64</sub>   | 1 <sup>29</sup> / <sub>64</sub> | 2.80           |
|           | 25.00                           | WP3S2M25E   |                                 |                                 |                                |                                 |                               |                             |                               |                                 |                               |                                 |                                 |                |
| 207       | 1 <sup>1</sup> / <sub>8</sub>   | WP3S218E    | 1 <sup>7</sup> / <sub>8</sub>   | 4 <sup>15</sup> / <sub>16</sub> | 6 <sup>3</sup> / <sub>8</sub>  | 1 <sup>9</sup> / <sub>16</sub>  | 1 <sup>7</sup> / <sub>8</sub> | <sup>1</sup> / <sub>2</sub> | <sup>13</sup> / <sub>16</sub> | 3 <sup>11</sup> / <sub>16</sub> | <sup>13</sup> / <sub>16</sub> | 1 <sup>7</sup> / <sub>64</sub>  | 1 <sup>35</sup> / <sub>64</sub> | 3.50           |
|           | 1 <sup>3</sup> / <sub>16</sub>  | WP3S219E    |                                 |                                 |                                |                                 |                               |                             |                               |                                 |                               |                                 |                                 |                |
| 208       | 1 <sup>1</sup> / <sub>4</sub>   | WP3S220E    | 2                               | 5 <sup>3</sup> / <sub>8</sub>   | 7 <sup>1</sup> / <sub>16</sub> | 1 <sup>11</sup> / <sub>16</sub> | 1 <sup>7</sup> / <sub>8</sub> | <sup>1</sup> / <sub>2</sub> | <sup>13</sup> / <sub>16</sub> | 4                               | <sup>15</sup> / <sub>16</sub> | 1 <sup>13</sup> / <sub>64</sub> | 1 <sup>41</sup> / <sub>64</sub> | 4.40           |
|           | 30.00                           | WP3S2M30E   |                                 |                                 |                                |                                 |                               |                             |                               |                                 |                               |                                 |                                 |                |
| 209       | 1 <sup>1</sup> / <sub>2</sub>   | WP3S224E    | 2 <sup>1</sup> / <sub>8</sub>   | 5 <sup>5</sup> / <sub>8</sub>   | 7 <sup>7</sup> / <sub>8</sub>  | 1 <sup>49</sup> / <sub>64</sub> | 2                             | <sup>1</sup> / <sub>2</sub> | <sup>13</sup> / <sub>16</sub> | 4 <sup>5</sup> / <sub>16</sub>  | <sup>7</sup> / <sub>8</sub>   | 1 <sup>15</sup> / <sub>64</sub> | 1 <sup>21</sup> / <sub>32</sub> | 5.50           |
|           | 40.00                           | WP3S2M40E   |                                 |                                 |                                |                                 |                               |                             |                               |                                 |                               |                                 |                                 |                |
| 210       | 1 <sup>5</sup> / <sub>8</sub>   | WP3S226E    | 2 <sup>1</sup> / <sub>4</sub>   | 6 <sup>3</sup> / <sub>16</sub>  | 7 <sup>7</sup> / <sub>8</sub>  | 1 <sup>51</sup> / <sub>64</sub> | 2 <sup>1</sup> / <sub>8</sub> | <sup>5</sup> / <sub>8</sub> | <sup>7</sup> / <sub>8</sub>   | 4 <sup>1</sup> / <sub>2</sub>   | <sup>15</sup> / <sub>16</sub> | 1 <sup>17</sup> / <sub>64</sub> | 1 <sup>25</sup> / <sub>32</sub> | 5.80           |
|           | 1 <sup>11</sup> / <sub>16</sub> | WP3S227E    |                                 |                                 |                                |                                 |                               |                             |                               |                                 |                               |                                 |                                 |                |
|           | 1 <sup>3</sup> / <sub>4</sub>   | WP3S228E    |                                 |                                 |                                |                                 |                               |                             |                               |                                 |                               |                                 |                                 |                |

## Additional Notes

- Please call 1-866-REXNORD for availability
- Lubrication fitting tap size, 1/8" PT
- Base to centerline tolerance, +.000 in/-0.010 in (+0.00 mm/-0.25 mm)
- For the Selection Guide, Load Ratings and Speed Limits, see the Klean-Gard/Dura-Klean Engineering section
- Note: Dimensions subject to change. Certified dimensions of ordered material furnished on request.

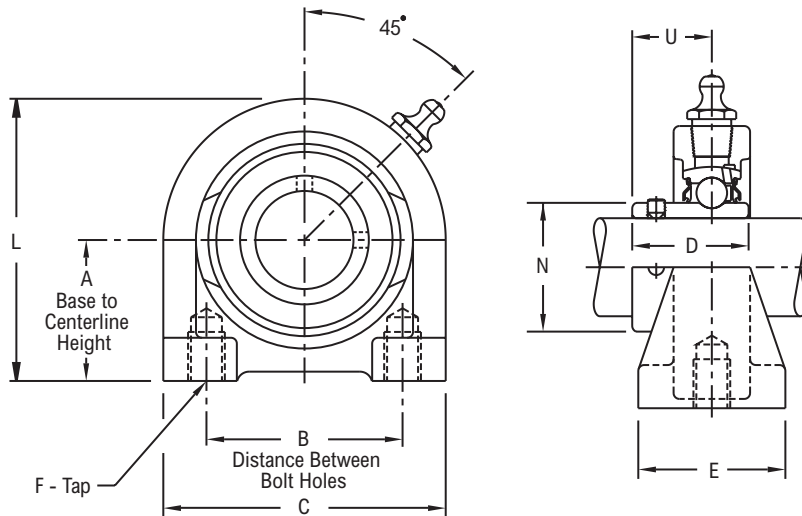
## WPT3S200



Photo Shows a 2-Bolt Ball Bearing Tapped Base Pillow Block with Nylon Coated Housing

### Product Features

- Corrosion resistant nylon coating
- Cast iron tapped base housing
- Inner & outer rings black oxide coated
- Spring locking setscrew mount
- Alignable & relubricatable
- Prelubricated with food grade grease
- See Features & Benefits for additional info.



### Bearing Dimensions

| Size Code | Shaft Diameter    | Part Number       | A Base to Centerline Height | B Distance Between Bolt Holes | C                 | D                 | E               | F Depth       | F Tap         | L                 | N                 | U                 | Approx. Weight |              |
|-----------|-------------------|-------------------|-----------------------------|-------------------------------|-------------------|-------------------|-----------------|---------------|---------------|-------------------|-------------------|-------------------|----------------|--------------|
| 204       | $\frac{3}{4}$     | WPT3S212E         | $1 \frac{5}{16}$            | 2                             | $2 \frac{7}{8}$   | $1 \frac{1}{8}$   | $1 \frac{1}{2}$ | $\frac{1}{2}$ | 3/8-16        | $2 \frac{19}{32}$ | $1 \frac{1}{8}$   | $\frac{3}{4}$     | 1.30           |              |
|           | 20.00             | <b>WPT3S2M20E</b> | <b>33.34</b>                | <b>50.80</b>                  | <b>73.00</b>      | <b>28.58</b>      | <b>38.10</b>    | <b>12.70</b>  | <b>3/8-16</b> | <b>65.90</b>      | <b>28.600</b>     | <b>19.00</b>      | <b>0.59</b>    |              |
| 205       | $\frac{7}{8}$     | WPT3S214E         | $1 \frac{7}{16}$            | 2                             | $2 \frac{7}{8}$   | $1 \frac{11}{64}$ | $1 \frac{1}{2}$ | $\frac{1}{2}$ | 3/8-16        | $2 \frac{7}{8}$   | $1 \frac{5}{16}$  | $\frac{51}{64}$   | 1.50           |              |
|           | $\frac{15}{16}$   | WPT3S215E         |                             |                               |                   |                   |                 |               |               |                   |                   |                   |                |              |
|           | 1                 | WPT3S216E         | 25.00                       | <b>WPT3S2M25E</b>             | <b>36.51</b>      | <b>50.80</b>      | <b>73.00</b>    | <b>29.77</b>  | <b>38.10</b>  | <b>12.70</b>      | <b>3/8-16</b>     | <b>73.00</b>      | <b>33.300</b>  | <b>20.20</b> |
| 206       | $1 \frac{1}{8}$   | WPT3S218E         | $1 \frac{11}{16}$           | 3                             | 4                 | $1 \frac{11}{32}$ | $1 \frac{1}{2}$ | $\frac{5}{8}$ | 7/16-14       | $3 \frac{5}{16}$  | $1 \frac{19}{32}$ | $\frac{61}{64}$   | 2.50           |              |
|           | $1 \frac{3}{16}$  | WPT3S219E         |                             |                               |                   |                   |                 |               |               |                   |                   |                   |                |              |
|           | $1 \frac{1}{4}$   | WPT3S2E20E        |                             |                               |                   |                   |                 |               |               |                   |                   |                   |                |              |
|           | 30.00             | <b>WPT3S2M30E</b> |                             |                               |                   |                   |                 |               |               |                   |                   |                   |                | <b>42.86</b> |
| 207       | $1 \frac{1}{4}$   | WPT3S220E         | $1 \frac{7}{8}$             | $3 \frac{1}{4}$               | $4 \frac{13}{32}$ | $1 \frac{9}{16}$  | $1 \frac{7}{8}$ | $\frac{3}{4}$ | 1/2-13        | $3 \frac{11}{16}$ | $1 \frac{27}{32}$ | $1 \frac{7}{64}$  | 3.60           |              |
|           | $1 \frac{3}{8}$   | WPT3S222E         |                             |                               |                   |                   |                 |               |               |                   |                   |                   |                |              |
|           | $1 \frac{7}{16}$  | WPT3S223E         |                             |                               |                   |                   |                 |               |               |                   |                   |                   |                | 35.00        |
| 210       | $1 \frac{15}{16}$ | WPT3S231E         | $2 \frac{1}{4}$             | 4                             | $5 \frac{7}{16}$  | $1 \frac{13}{16}$ | 2               | $\frac{7}{8}$ | 5/8-11        | $4 \frac{1}{2}$   | $2 \frac{15}{32}$ | $1 \frac{17}{64}$ | 5.70           |              |

### Additional Notes

- Please call 1-866-REXNORD for availability
- Lubrication fitting tap size, 1/8" PT
- Base to centerline tolerance, +.000 in/-.010 in (**+0.00 mm/-0.25 mm**)
- For the Selection Guide, Load Ratings and Speed Limits, see the Klean-Gard/Dura-Klean Engineering section
- Note: Dimensions subject to change. Certified dimensions of ordered material furnished on request.



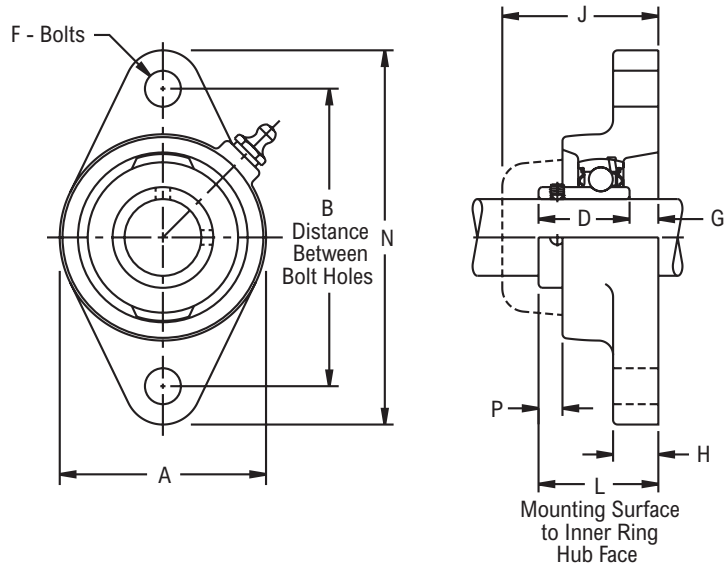
# WFX3S200



Photo Shows a 2-Bolt Ball Bearing Flanged Unit with Nylon Coated Housing

## Product Features

- Corrosion resistant nylon coating
- Cast iron housing
- Inner & outer rings black oxide coated
- Spring locking setscrew mount
- Alignable & relubricatable
- Prelubricated with food grade grease
- See Features & Benefits for additional info.



## Bearing Dimensions

| Size Code | Shaft Diameter                  | Part Number | B Distance Between Bolt Holes   | L Mounting Surface to Inner Ring Hub Face | A                               | D                               | F                            | G                             | H                             | J                               | N                               | P                             | Approx. Weight |       |
|-----------|---------------------------------|-------------|---------------------------------|---|---------------------------------|---------------------------------|------------------------------|-------------------------------|-------------------------------|---------------------------------|---------------------------------|-------------------------------|----------------|-------|
| 204       | <sup>3</sup> / <sub>4</sub>     | WFX3S212E   | 3 <sup>17</sup> / <sub>32</sub> | 1 <sup>31</sup> / <sub>64</sub>           | 2 <sup>7</sup> / <sub>16</sub>  | 1 <sup>1</sup> / <sub>8</sub>   | <sup>3</sup> / <sub>8</sub>  | <sup>23</sup> / <sub>64</sub> | <sup>9</sup> / <sub>16</sub>  | 2 <sup>1</sup> / <sub>64</sub>  | 4 <sup>13</sup> / <sub>32</sub> | <sup>9</sup> / <sub>32</sub>  | 1.10           |       |
|           | 20.00                           | WFX3S2M20E  | 89.69                           | 37.70                                     | 61.90                           | 28.58                           | 10.00                        | 9.10                          | 14.30                         | 51.20                           | 111.90                          | 7.10                          | 0.50           |       |
| 205       | <sup>7</sup> / <sub>8</sub>     | WFX3S214E   | 3 <sup>57</sup> / <sub>64</sub> | 1 <sup>35</sup> / <sub>64</sub>           | 2 <sup>11</sup> / <sub>16</sub> | 1 <sup>11</sup> / <sub>64</sub> | <sup>7</sup> / <sub>16</sub> | <sup>3</sup> / <sub>8</sub>   | <sup>19</sup> / <sub>32</sub> | 2                               | 4 <sup>29</sup> / <sub>32</sub> | <sup>19</sup> / <sub>64</sub> | 1.50           |       |
|           | <sup>15</sup> / <sub>16</sub>   | WFX3S215E   |                                 |   |                                 |                                 |                              |                               |                               |                                 |                                 |                               |                |       |
|           | 1                               | WFX3S216E   | 25.00                           | WFX3S2M25E                                | 98.82                           | 39.30                           | 68.30                        | 29.77                         | 10.00                         | 9.50                            | 15.10                           | 50.80                         | 124.60         | 7.50  |
| 206       | 1 <sup>1</sup> / <sub>8</sub>   | WFX3S218E   | 4 <sup>19</sup> / <sub>32</sub> | 1 <sup>47</sup> / <sub>64</sub>           | 3 <sup>3</sup> / <sub>16</sub>  | 1 <sup>11</sup> / <sub>32</sub> | <sup>7</sup> / <sub>16</sub> | <sup>25</sup> / <sub>64</sub> | <sup>19</sup> / <sub>32</sub> | 2 <sup>15</sup> / <sub>64</sub> | 5 <sup>19</sup> / <sub>32</sub> | <sup>27</sup> / <sub>64</sub> | 2.20           |       |
|           | 1 <sup>3</sup> / <sub>16</sub>  | WFX3S219E   |                                 |   |                                 |                                 |                              |                               |                               |                                 |                                 |                               |                |       |
|           | 1 <sup>1</sup> / <sub>4</sub>   | WFX3S2E20E  |                                 |   |                                 |                                 |                              |                               |                               |                                 |                                 |                               |                | 30.00 |
| 207       | 1 <sup>1</sup> / <sub>4</sub>   | WFX3S220E   | 5 <sup>1</sup> / <sub>8</sub>   | 1 <sup>59</sup> / <sub>64</sub>           | 3 <sup>5</sup> / <sub>8</sub>   | 1 <sup>9</sup> / <sub>16</sub>  | <sup>1</sup> / <sub>2</sub>  | <sup>23</sup> / <sub>64</sub> | <sup>5</sup> / <sub>8</sub>   | 2 <sup>23</sup> / <sub>64</sub> | 6 <sup>1</sup> / <sub>8</sub>   | <sup>33</sup> / <sub>64</sub> | 2.70           |       |
|           | 1 <sup>3</sup> / <sub>8</sub>   | WFX3S222E   |                                 |   |                                 |                                 |                              |                               |                               |                                 |                                 |                               |                |       |
|           | 1 <sup>7</sup> / <sub>16</sub>  | WFX3S223E   |                                 |   |                                 |                                 |                              |                               |                               |                                 |                                 |                               |                | 35.00 |
| 208       | 1 <sup>1</sup> / <sub>2</sub>   | WFX3S224E   | 5 <sup>21</sup> / <sub>32</sub> | 2 <sup>5</sup> / <sub>64</sub>            | 4                               | 1 <sup>21</sup> / <sub>32</sub> | <sup>1</sup> / <sub>2</sub>  | <sup>27</sup> / <sub>64</sub> | <sup>5</sup> / <sub>8</sub>   | 2 <sup>35</sup> / <sub>64</sub> | 6 <sup>25</sup> / <sub>32</sub> | <sup>1</sup> / <sub>2</sub>   | 3.80           |       |
|           | 40.00                           | WFX3S2M40E  | 143.67                          | 52.80                                     | 101.60                          | 42.06                           | 12.00                        | 10.70                         | 15.90                         | 65.10                           | 172.20                          | 12.70                         | 1.70           |       |
| 209       | 1 <sup>5</sup> / <sub>8</sub>   | WFX3S226E   | 5 <sup>27</sup> / <sub>32</sub> | 2 <sup>9</sup> / <sub>64</sub>            | 4 <sup>1</sup> / <sub>4</sub>   | 1 <sup>49</sup> / <sub>64</sub> | <sup>1</sup> / <sub>2</sub>  | <sup>3</sup> / <sub>8</sub>   | <sup>5</sup> / <sub>8</sub>   | 2 <sup>9</sup> / <sub>16</sub>  | 7 <sup>3</sup> / <sub>32</sub>  | <sup>35</sup> / <sub>64</sub> | 4.40           |       |
|           | 1 <sup>11</sup> / <sub>16</sub> | WFX3S227E   |                                 |   |                                 |                                 |                              |                               |                               |                                 |                                 |                               |                |       |
|           | 1 <sup>3</sup> / <sub>4</sub>   | WFX3S228E   |                                 |   |                                 |                                 |                              |                               |                               |                                 |                                 |                               |                |       |
| 210       | 1 <sup>15</sup> / <sub>16</sub> | WFX3S231E   | 6 <sup>3</sup> / <sub>16</sub>  | 2 <sup>25</sup> / <sub>64</sub>           | 4 <sup>9</sup> / <sub>16</sub>  | 1 <sup>13</sup> / <sub>16</sub> | <sup>9</sup> / <sub>16</sub> | <sup>37</sup> / <sub>64</sub> | <sup>3</sup> / <sub>4</sub>   | 2 <sup>57</sup> / <sub>64</sub> | 7 <sup>7</sup> / <sub>16</sub>  | <sup>35</sup> / <sub>64</sub> | 5.60           |       |

## Additional Notes

- Please call 1-866-REXNORD for availability
- Lubrication fitting tap size, 1/8" PT
- For the Selection Guide, Load Ratings and Speed Limits, see the Klean-Gard/Dura-Klean Engineering section
- Note: Dimensions subject to change. Certified dimensions of ordered material furnished on request.

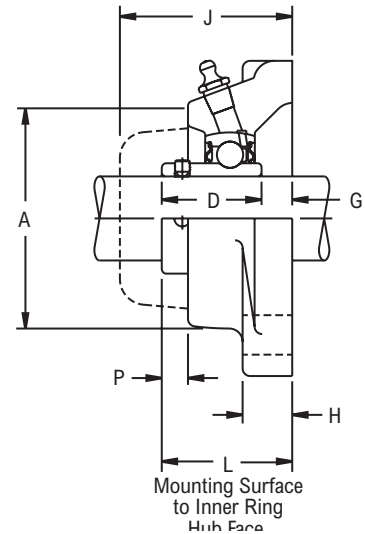
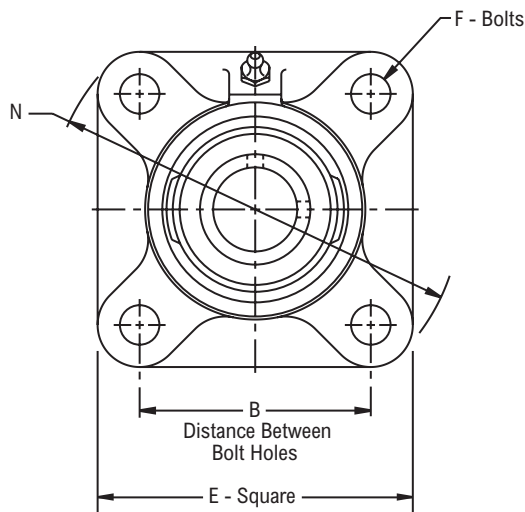
## WF3S200



Photo Shows a 4-Bolt Ball Bearing Flanged Unit with Nylon Coated Housing

### Product Features

- Corrosion resistant nylon coating
- Cast iron housing
- Inner & outer rings black oxide coated
- Spring locking setscrew mount
- Alignable & relubricatable
- Prelubricated with food grade grease
- See Features & Benefits for additional info



### Bearing Dimensions

| Size Code | Shaft Diameter   | Part Number | B<br>Distance Between Bolt Holes | L<br>Mounting Surface to Inner Ring Hub Face | A                | D                | E              | F              | G               | H               | J                | N                | P               | Approx. Weight |
|-----------|------------------|-------------|----------------------------------|--|------------------|------------------|----------------|----------------|-----------------|-----------------|------------------|------------------|-----------------|----------------|
| 204       | $\frac{3}{4}$    | WF3S212E    | $2\frac{1}{2}$                   | $1\frac{31}{64}$                             | $2\frac{7}{16}$  | $1\frac{1}{8}$   | $3\frac{3}{8}$ | $\frac{3}{8}$  | $\frac{23}{64}$ | $\frac{9}{16}$  | $2\frac{1}{64}$  | $4\frac{13}{32}$ | $\frac{9}{32}$  | 1.60           |
|           | 20.00            | WF3S2M20E   | 63.50                            | 37.70  | 61.90            | 28.58            | 85.70          | 10.00          | 9.10            | 14.30           | 51.20            | 111.90           | 7.10            | 0.72           |
| 205       | $\frac{7}{8}$    | WF3S214E    | $2\frac{3}{4}$                   | $1\frac{35}{64}$                             | $2\frac{11}{16}$ | $1\frac{11}{64}$ | $3\frac{3}{4}$ | $\frac{7}{16}$ | $\frac{3}{8}$   | $\frac{19}{32}$ | 2                | $4\frac{29}{32}$ | $\frac{19}{64}$ | 1.90           |
|           | $\frac{15}{16}$  | WF3S215E    |                                  |  |                  |                  |                |                |                 |                 |                  |                  |                 |                |
|           | 1                | WF3S216E    |                                  |  |                  |                  |                |                |                 |                 |                  |                  |                 |                |
|           | 25.00            | WF3S2M25E   | 69.85                            | 39.30  | 68.30            | 29.77            | 95.20          | 10.00          | 9.50            | 15.10           | 50.80            | 124.60           | 7.50            | 0.86           |
| 206       | $1\frac{1}{8}$   | WF3S218E    | $3\frac{1}{4}$                   | $1\frac{47}{64}$                             | $3\frac{3}{16}$  | $1\frac{11}{32}$ | $4\frac{1}{4}$ | $\frac{7}{16}$ | $\frac{25}{64}$ | $\frac{19}{32}$ | $2\frac{15}{64}$ | $5\frac{19}{32}$ | $\frac{27}{64}$ | 2.60           |
|           | $1\frac{3}{16}$  | WF3S219E    |                                  |  |                  |                  |                |                |                 |                 |                  |                  |                 |                |
|           | $1\frac{1}{4}$   | WF3S2E20E   |                                  |  |                  |                  |                |                |                 |                 |                  |                  |                 |                |
|           | 30.00            | WF3S2M30E   |                                  |  |                  |                  |                |                |                 |                 |                  |                  |                 |                |
|           | 82.55            | 82.55       | 44.00                            | 81.00  | 34.13            | 108.00           | 10.00          | 9.90           | 15.10           | 56.70           | 142.10           | 10.70            | 1.17            |                |
| 207       | $1\frac{1}{4}$   | WF3S220E    | $3\frac{5}{8}$                   | $1\frac{59}{64}$                             | $3\frac{5}{8}$   | $1\frac{9}{16}$  | $4\frac{5}{8}$ | $\frac{1}{2}$  | $\frac{23}{64}$ | $\frac{5}{8}$   | $2\frac{23}{64}$ | $6\frac{1}{8}$   | $\frac{37}{64}$ | 3.40           |
|           | $1\frac{3}{8}$   | WF3S222E    |                                  |  |                  |                  |                |                |                 |                 |                  |                  |                 |                |
|           | $1\frac{7}{16}$  | WF3S223E    |                                  |  |                  |                  |                |                |                 |                 |                  |                  |                 |                |
|           | 35.00            | WF3S2M35E   | 92.08                            | 48.80  | 92.10            | 39.67            | 117.50         | 12.00          | 9.10            | 15.90           | 59.90            | 155.60           | 14.70           | 1.53           |
| 208       | $1\frac{1}{2}$   | WF3S224E    | 4                                | $2\frac{5}{64}$                              | 4                | $1\frac{21}{32}$ | $5\frac{1}{8}$ | $\frac{1}{2}$  | $\frac{27}{64}$ | $\frac{5}{8}$   | $2\frac{35}{64}$ | $6\frac{25}{32}$ | $\frac{1}{2}$   | 4.70           |
|           | 40.00            | WF3S2M40E   |                                  |  |                  |                  |                |                |                 |                 |                  |                  |                 |                |
| 209       | $1\frac{5}{8}$   | WF3S226E    | $4\frac{1}{8}$                   | $2\frac{9}{64}$                              | $4\frac{1}{4}$   | $1\frac{49}{64}$ | $5\frac{3}{8}$ | $\frac{1}{2}$  | $\frac{3}{8}$   | $\frac{5}{8}$   | $2\frac{9}{16}$  | $7\frac{3}{32}$  | $\frac{35}{64}$ | 5.40           |
|           | $1\frac{11}{16}$ | WF3S227E    |                                  |  |                  |                  |                |                |                 |                 |                  |                  |                 |                |
|           | $1\frac{3}{4}$   | WF3S228E    |                                  |  |                  |                  |                |                |                 |                 |                  |                  |                 |                |
|           | 115.16           | WF3S231E    | 43.75                            | 21.875                                       | 41.875           | 13.125           | 53.125         | 12.5           | 12.5            | 18.75           | 61.875           | 7.875            | 9.375           | 6.20           |

### Additional Notes

- Please call 1-866-REXNORD for availability
- Lubrication fitting tap size, 1/8" PT
- For the Selection Guide, Load Ratings and Speed Limits, see the Klean-Gard/Dura-Klean Engineering section
- Note: Dimensions subject to change. Certified dimensions of ordered material furnished on request.

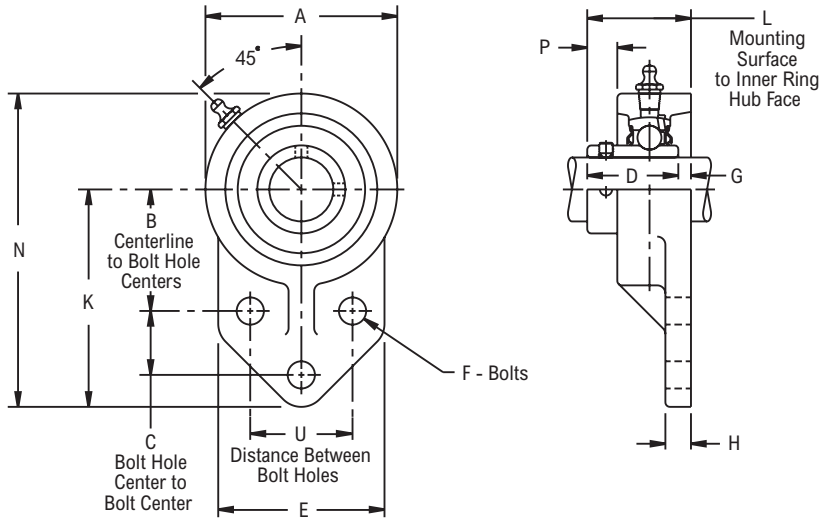
# WFB3S200



Photo Shows a 3-Bolt Ball Bearing Flanged Bracket Unit with Nylon Coated Housing

## Product Features

- Corrosion resistant nylon coating
- Cast iron housing
- Inner & outer rings black oxide coated
- Spring locking setscrew mount
- Alignable & relubricatable
- Prelubricated with food grade grease
- See Features & Benefits for additional info



## Bearing Dimensions

| Size Code | Shaft Diameter   | Part Number | B Centerline to Bolt Hole Centers | C Bolt Hole Center to Bolt Center | L Mounting Surface to Inner Ring | U Distance Between Bolt Holes | A               | D                 | E               | F             | G               | H              | K               | N               | P               | Approx. Weight |       |
|-----------|------------------|-------------|-----------------------------------|-----------------------------------|----------------------------------|-------------------------------|-----------------|-------------------|-----------------|---------------|-----------------|----------------|-----------------|-----------------|-----------------|----------------|-------|
| 204       | $\frac{3}{4}$    | WFB3S212E   | $1 \frac{11}{16}$                 | $\frac{7}{8}$                     | $1 \frac{11}{32}$                | $1 \frac{1}{2}$               | $2 \frac{1}{2}$ | $1 \frac{1}{8}$   | $2 \frac{3}{8}$ | $\frac{3}{8}$ | $\frac{7}{32}$  | $\frac{5}{16}$ | 3               | $4 \frac{1}{4}$ | $\frac{11}{32}$ | 1.20           |       |
|           | 20.00            | WFB3S2M20E  | 42.90                             | 22.20                             | 34.10                            | 38.10                         | 63.50           | 28.58             | 60.30           | 10.00         | 5.50            | 7.90           | 76.20           | 108.00          | 8.70            | 0.54           |       |
| 205       | $\frac{7}{8}$    | WFB3S214E   | $1 \frac{13}{16}$                 | $1 \frac{1}{8}$                   | $1 \frac{29}{64}$                | $1 \frac{5}{8}$               | $2 \frac{3}{4}$ | $1 \frac{11}{64}$ | $2 \frac{1}{2}$ | $\frac{3}{8}$ | $\frac{9}{32}$  | $\frac{3}{8}$  | $3 \frac{3}{8}$ | $4 \frac{3}{4}$ | $\frac{19}{64}$ | 1.70           |       |
|           | $\frac{15}{16}$  | WFB3S215E   |                                   |                                   |                                  |                               |                 |                   |                 |               |                 |                |                 |                 |                 |                |       |
|           | 1                | WFB3S216E   | 25.00                             | WFB3S2M25E                        | 46.00                            | 28.60                         | 38.90           | 41.30             | 69.80           | 29.77         | 63.50           | 10.00          | 7.10            | 9.50            | 85.70           | 120.60         | 7.50  |
| 206       | $1 \frac{1}{8}$  | WFB3S218E   | $2 \frac{1}{16}$                  | $1 \frac{1}{4}$                   | $1 \frac{5}{8}$                  | $1 \frac{7}{8}$               | $3 \frac{1}{4}$ | $1 \frac{11}{32}$ | $2 \frac{3}{4}$ | $\frac{3}{8}$ | $\frac{9}{32}$  | $\frac{3}{8}$  | $3 \frac{3}{4}$ | $5 \frac{3}{8}$ | $\frac{3}{8}$   | 2.20           |       |
|           | $1 \frac{3}{16}$ | WFB3S219E   |                                   |                                   |                                  |                               |                 |                   |                 |               |                 |                |                 |                 |                 |                |       |
|           | $1 \frac{1}{4}$  | WFB3S2E20E  |                                   |                                   |                                  |                               |                 |                   |                 |               |                 |                |                 |                 |                 |                | 30.00 |
| 207       | $1 \frac{1}{4}$  | WFB3S220E   | $2 \frac{3}{8}$                   | $1 \frac{1}{4}$                   | $1 \frac{59}{64}$                | 2                             | $3 \frac{3}{4}$ | $1 \frac{9}{16}$  | $3 \frac{1}{4}$ | $\frac{1}{2}$ | $\frac{23}{64}$ | $\frac{1}{2}$  | $4 \frac{1}{4}$ | $6 \frac{1}{8}$ | $\frac{31}{64}$ | 3.20           |       |
|           | $1 \frac{3}{8}$  | WFB3S222E   |                                   |                                   |                                  |                               |                 |                   |                 |               |                 |                |                 |                 |                 |                |       |
|           | $1 \frac{7}{16}$ | WFB3S223E   |                                   |                                   |                                  |                               |                 |                   |                 |               |                 |                |                 |                 |                 |                | 35.00 |

## Additional Notes

- Please call 1-866-REXNORD for availability
- Lubrication fitting tap size,  $\frac{1}{4}$ "-28 UNF
- For the Selection Guide, Load Ratings and Speed Limits, see the Klean-Gard/Dura-Klean Engineering section
- Note: Dimensions subject to change. Certified dimensions of ordered material furnished on request.

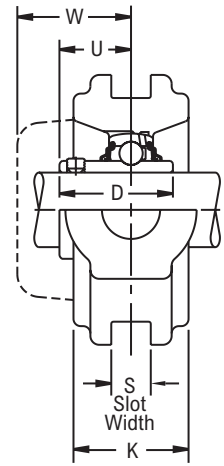
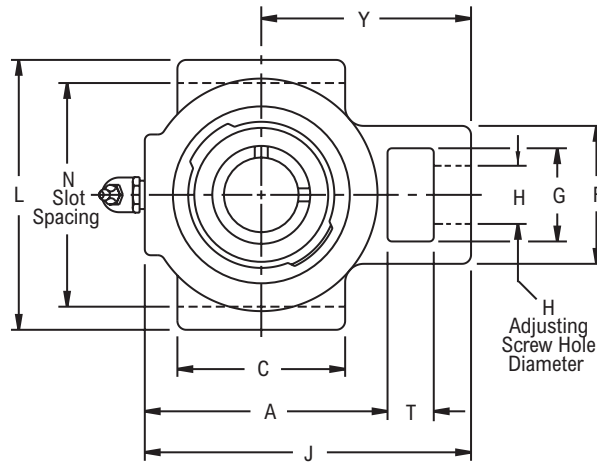
## WTH3S200



Photo Shows a Ball Bearing Take-Up Unit with Nylon Coated Housing

### Product Features

- Corrosion resistant nylon coating
- Cast iron housing
- Inner & outer rings black oxide coated
- Spring locking setscrew mount
- Alignable & relubricatable
- Pre-lubricated with food grade grease
- See Features & Benefits for additional info



### Bearing Dimensions

| Size Code | Shaft Diameter | Part Number       | H Adjusting Screw Hole Diameter | N Slot Spacing | S Slot Width | A                               | C     | D       | F       | G       | J       | K       | L      | T     | U       | W       | Y       | Approx. Weight |
|-----------|----------------|-------------------|---------------------------------|----------------|--------------|---------------------------------|-------|---------|---------|---------|---------|---------|--------|-------|---------|---------|---------|----------------|
| 204       | 3/4            | WTH3S212E         | 3/4                             | 3.000          | 0.531        | 2 <sup>27</sup> / <sub>32</sub> | 2 1/4 | 1 1/8   | 1 7/8   | 1 1/4   | 3 31/32 | 1 1/16  | 3 5/8  | 5/8   | 3/4     | 1 5/16  | 2 21/32 | 2.40           |
|           | 20.00          | <b>WTH3S2M20E</b> | 19.00                           | 76.200         | 13.490       | 72.20                           | 57.20 | 28.58   | 47.60   | 31.80   | 100.80  | 27.00   | 92.10  | 15.90 | 19.00   | 33.30   | 67.50   | 1.10           |
| 205       | 7/8            | WTH3S214E         | 3/4                             | 3.000          | 0.531        | 2 <sup>29</sup> / <sub>32</sub> | 2 1/4 | 1 11/64 | 1 27/32 | 1 1/4   | 4 1/32  | 1 3/32  | 3 5/8  | 5/8   | 51/64   | 1 5/16  | 2 21/32 | 2.70           |
|           | 15/16          | WTH3S215E         |                                 |                |              |                                 |       |         |         |         |         |         |        |       |         |         |         |                |
|           | 1              | WTH3S216E         |                                 |                |              |                                 |       |         |         |         |         |         |        |       |         |         |         |                |
|           | 25.00          | <b>WTH3S2M25E</b> |                                 |                |              |                                 |       |         |         |         |         |         |        |       |         |         |         |                |
| 206       | 1 1/8          | WTH3S218E         | 7/8                             | 3.500          | 0.531        | 3 11/32                         | 2 1/2 | 1 11/32 | 2 3/16  | 1 7/16  | 4 15/32 | 1 3/32  | 4 1/8  | 5/8   | 61/64   | 1 29/64 | 2 27/32 | 3.20           |
|           | 1 3/16         | WTH3S219E         |                                 |                |              |                                 |       |         |         |         |         |         |        |       |         |         |         |                |
|           | 1 1/4          | WTH3S2E20E        |                                 |                |              |                                 |       |         |         |         |         |         |        |       |         |         |         |                |
|           | 30.00          | <b>WTH3S2M30E</b> |                                 |                |              |                                 |       |         |         |         |         |         |        |       |         |         |         |                |
| 207       | 1 1/4          | WTH3S220E         | 7/8                             | 3.500          | 0.531        | 3 11/16                         | 2 3/4 | 1 9/16  | 2 5/16  | 1 7/16  | 4 13/16 | 1 3/16  | 4 1/8  | 5/8   | 1 7/64  | 1 35/64 | 2 31/32 | 4.00           |
|           | 1 3/8          | WTH3S222E         |                                 |                |              |                                 |       |         |         |         |         |         |        |       |         |         |         |                |
|           | 1 7/16         | WTH3S223E         |                                 |                |              |                                 |       |         |         |         |         |         |        |       |         |         |         |                |
|           | 35.00          | <b>WTH3S2M35E</b> | 22.20                           | 88.900         | 13.490       | 93.70                           | 69.80 | 39.67   | 58.70   | 36.50   | 122.20  | 30.20   | 104.80 | 15.90 | 28.20   | 39.30   | 75.40   | 1.80           |
| 208       | 1 1/2          | WTH3S224E         | 1 1/8                           | 3.969          | 0.688        | 4 3/16                          | 3 1/4 | 1 21/32 | 2 27/32 | 1 15/16 | 5 9/16  | 1 5/16  | 4 3/4  | 3/4   | 1 11/64 | 1 41/64 | 3 15/32 | 5.30           |
|           | 40.00          | <b>WTH3S2M40E</b> | 28.60                           | 100.810        | 17.480       | 106.40                          | 82.60 | 42.06   | 72.20   | 49.20   | 141.30  | 33.30   | 120.60 | 19.00 | 29.80   | 41.70   | 88.60   | 2.38           |
| 209       | 1 5/8          | WTH3S226E         | 1 1/8                           | 3.969          | 0.688        | 4 3/16                          | 3 1/4 | 1 49/64 | 2 7/8   | 1 15/16 | 5 9/16  | 1 3/8   | 4 3/4  | 3/4   | 1 15/64 | 1 21/32 | 3 15/32 | 5.30           |
|           | 1 11/16        | WTH3S227E         |                                 |                |              |                                 |       |         |         |         |         |         |        |       |         |         |         |                |
|           | 1 3/4          | WTH3S228E         |                                 |                |              |                                 |       |         |         |         |         |         |        |       |         |         |         |                |
|           | 1 15/16        | WTH3S231E         | 1 1/8                           | 3.969          | 0.688        | 4 9/16                          | 3 3/8 | 1 13/16 | 2 7/8   | 1 15/16 | 5 15/16 | 1 43/64 | 4 3/4  | 3/4   | 1 17/64 | 1 25/32 | 3 19/32 | 6.60           |

### Additional Notes

- Please call 1-866-REXNORD for availability
- Lubrication fitting tap size, 1/8" PT
- For the Selection Guide, Load Ratings and Speed Limits, see the Klean-Gard/Dura-Klean Engineering section
- Note: Dimensions subject to change. Certified dimensions of ordered material furnished on request.



Industries Served  
Aggregates  
Agriculture  
Air Handling  
Package Handling  
Construction  
Shipping

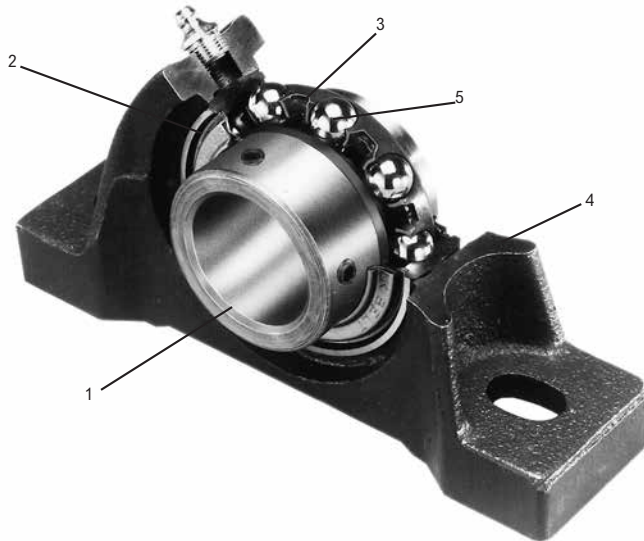
## Link-Belt 200 Series Standard & Intermediate Duty Ball Bearings

Series 200 standard and intermediate duty ball bearing units provide a versatility of application arrangements for carrying shafts with radial or combination radial and thrust loads. They are designed for general purpose industrial machinery, conveyors, chain and belt drives, fans and blowers, power transmission and many other applications.

### Collar Mounted Ball Bearings

Series CL200, U200, S200, W200, Y200 collar mounted or spring locking ball bearings, and round, square and hex bore ball bearings provide economic and versatile arrangements for supporting shafts, especially with the 2-piece formed steel flanged housings.

These product lines are designed for light industrial applications, agricultural machinery, lawn and garden equipment, recreational vehicles and other applications.



#### 1. Inner Ring

Extended or wide inner ring for moderate or high stability and load support.

#### 2. Choice of Locking Device

Choice of Centrik-lok locking device, eccentric cam locking collar or spring locking or spring locking collar with set screws to lock inner ring securely to shaft.

#### 3. Choice of Seal Type

Choice of steel-clad type H labyrinth seal, type N single lip seal or type E3 triple lip seal. W200 & S200 series have the type E single lip seal only available.

#### 4. One-piece Housing

Compact one-piece housing provides excellent mounting support.

#### 5. Precision Ball Bearing

Alignable precision deep groove ball bearing manufactured of quality alloy bearing steel provides high capacity and long life.

#### 1. Precision Ball Bearing

Precision deep groove ball bearings or quality alloy bearing steel provide high capacity and long life.

#### 2. Choice of Locking Device

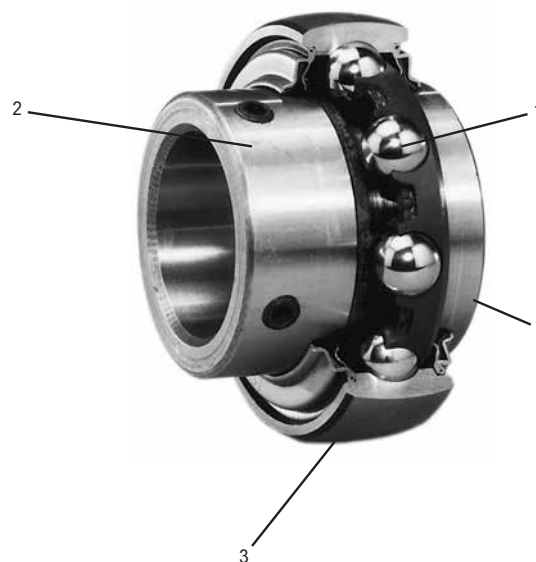
Choice of Centrik-lok locking device, eccentric cam locking collar or spring locking or spring locking collar with set screws to lock inner ring securely to shaft.

#### 3. Optional Features

Optional features such as spherical or cylindrical O.D.'s, relubricatable or non-relubricatable.

#### 4. Inner Ring Options

Extended or wide inner rings to meet diverse application requirements.



## Wide and Extended Inner Ring Ball Bearings

### Centrik-Lok CL

Precision alignable ball bearings of deep groove construction for high capacity and high precision applications. Centrik-Lok device securely locks the bearing to the shaft. This method of locking provides excellent holding power and also centers the shaft in the bearing. It eliminates shaft damage because setscrews don't contact the shaft making bearing removal easier. The C200 wide inner ring furnishes increased shaft support and accommodates wider seals for extra lubricant capacity.



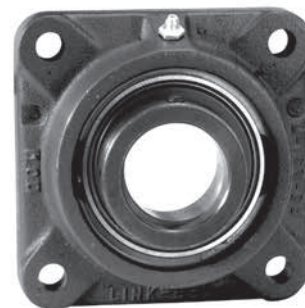
### Spring Locking

Precision alignable ball bearings of deep groove construction for high capacity and high precision applications. Spring locking collar or set screw locking securely locks the bearing to the shaft. The U200 wide inner ring furnishes increased shaft support and accommodates wider seals for extra lubricant capacity.



### Eccentric Cam Locking Collars

Precision alignable ball bearings of deep groove construction. Eccentric cam locking collars hold the bearings securely to the shaft and further tightens with bearing rotation. The Y200 wide inner ring provides increased shaft support and accommodates wide seals for extra lubricant capacity.



## One-piece Housings

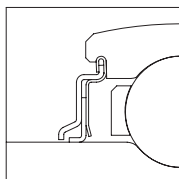
Rugged one-piece precision machined housings of many types provide a versatility of mounting arrangement and facilitate installation. All mounting surfaces are fully machined and all housings provide for easy bearing relubrication. Grease flows through the fitting into a machined grease groove and through the lubricant holes of the outer ring directly into the bearing chamber between the seals. Pillow blocks have slotted bolt holes with ample space provided for drilling dowel pin holes. Flanged units have drilled mounting holes. Take up units have machined slots for accurate adjustment.

## Steel Clad Seals

All bearing type seals are crimped tightly in the bearing outer rings with steel members and cannot be blown out during relubrication.

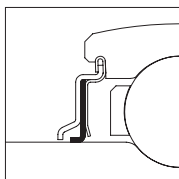
### Type H Multi-labyrinth Seal

This seal has contoured external trash guard is an excellent all purpose low friction seal for grease lubrication.



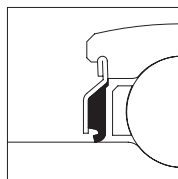
### Type N Lip Seals

These seals have the same contoured external trash guard for maximum lip protection and a full land riding lip for grease retention and dirt exclusion. These seals ride on a precision ground surface of the bearing inner ring for smooth operation and tightness.



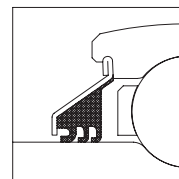
### Type E Molded Lip Seal

The type E seal has external trash guard for maximum lip protection and a full land riding lip for grease retention and dirt exclusion.



### Type E3 Triple Lip Seal

This seal is a tight high torque seal for ultimate dirt exclusion. It has an external trash guard to protect the precision die molded lip members.



## 200 Series Nomenclature

| Symbol | Description  | PL | 3 | U | 2 | E | 20 | H | C | K75 |
|--------|--|----|---|---|---|---|----|---|---|-----|
| F      | Flanged unit, 3 and 4-bolt   |    |   |   |   |   |    |   |   |     |
| FB     | Flanged bracket unit, 3-bolt                                       |    |   |   |   |   |    |   |   |     |
| FF     | Flanged screw conveyor unit, 4-bolt                                |    |   |   |   |   |    |   |   |     |
| FC     | Flanged cartridge unit, 4-bolt round                               |    |   |   |   |   |    |   |   |     |
| FX     | Flanged unit, 2-bolt   |    |   |   |   |   |    |   |   |     |
| FR     | Flanged unit, 3 and 4-bolt inboard mounting                        |    |   |   |   |   |    |   |   |     |
| FXR    | Flanged unit, 2-bolt inboard mounting                              |    |   |   |   |   |    |   |   |     |
| HM     | Hanger screw conveyor unit   |    |   |   |   |   |    |   |   |     |
| P      | Pillow block, standard backing                                     |    |   |   |   |   |    |   |   |     |
| PH     | Pillow block, high backing   |    |   |   |   |   |    |   |   |     |
| PL     | Pillow block, low backing  |    |   |   |   |   |    |   |   |     |
| PS     | Pillow block, formed steel housing                                 |    |   |   |   |   |    |   |   |     |
| PT     | Pillow block, tapped base  |    |   |   |   |   |    |   |   |     |
| T      | Take-up, standard slot   |    |   |   |   |   |    |   |   |     |
| TH     | Take-up, wide slot   |    |   |   |   |   |    |   |   |     |
| TAS    | Conveyor take-up, formed steel frame                               |    |   |   |   |   |    |   |   |     |
| TDS    | Conveyor take-up, hinged top, welded steel frame                   |    |   |   |   |   |    |   |   |     |
| NT     | Conveyor take-up, welded channel frame                             |    |   |   |   |   |    |   |   |     |
| 3      | Integral bearing seals   |    |   |   |   |   |    |   |   |     |
| CL     | Wide inner ring, Centrik-Lok collar                                |    |   |   |   |   |    |   |   |     |
| S      | Extended inner ring, spring locking                                |    |   |   |   |   |    |   |   |     |
| U      | Wide inner ring, spring locking                                    |    |   |   |   |   |    |   |   |     |
| Y      | Wide inner ring, eccentric cam locking collar                      |    |   |   |   |   |    |   |   |     |
| W      | Extended inner ring, eccentric cam locking collar                  |    |   |   |   |   |    |   |   |     |
| None   | Non-relubricatable bearing   |    |   |   |   |   |    |   |   |     |
| G      | Relubricatable bearing   |    |   |   |   |   |    |   |   |     |
| 2      | Series 200 ball bearing designation                                |    |   |   |   |   |    |   |   |     |
| B      | Inner ring bore equal to a bore of preceding smaller bearing group |    |   |   |   |   |    |   |   |     |
| E      | Inner ring bore equal to a bore of following larger bearing group  |    |   |   |   |   |    |   |   |     |
| 20     | Shaft size in sixteenths of an inch                                |    |   |   |   |   |    |   |   |     |
| M30    | Shaft size, metric series in millimeters                           |    |   |   |   |   |    |   |   |     |
| J      | Steel retainers  |    |   |   |   |   |    |   |   |     |
| E3     | Triple lip seals   |    |   |   |   |   |    |   |   |     |
| E      | Molded single lip seals  |    |   |   |   |   |    |   |   |     |
| H      | Floating labyrinth seals   |    |   |   |   |   |    |   |   |     |
| N      | Single lip seals   |    |   |   |   |   |    |   |   |     |
| C      | Closed end unit  |    |   |   |   |   |    |   |   |     |
| K75    | Nickel plated housing  |    |   |   |   |   |    |   |   |     |
| 18     | Take-up adjustment, inches   |    |   |   |   |   |    |   |   |     |



## 200 Series Collar Unmounted Ball Bearings Nomenclature

| Symbol | Description  | U | B | G | 2 | E | 20 | H | L |
|--------|--|---|---|---|---|---|----|---|---|
| CL     | Wide Inner Ring, Centrik-Lok Collar                                |   |   |   |   |   |    |   |   |
| S      | Extended inner ring, spring locking                                |   |   |   |   |   |    |   |   |
| U      | Wide inner ring, spring locking                                    |   |   |   |   |   |    |   |   |
| Y      | Wide inner ring, eccentric cam locking collar                      |   |   |   |   |   |    |   |   |
| W      | Extended inner ring, eccentric cam locking collar                  |   |   |   |   |   |    |   |   |
| None   | O.D. of outer ring is spherical                                    |   |   |   |   |   |    |   |   |
| B      | O.D. of outer ring is cylindrical                                  |   |   |   |   |   |    |   |   |
| None   | Non-relubricatable bearing   |   |   |   |   |   |    |   |   |
| G      | Relubricatable bearing   |   |   |   |   |   |    |   |   |
| 2      | Series 200 ball bearing designation                                |   |   |   |   |   |    |   |   |
| B      | Inner ring bore equal to a bore of preceding smaller bearing group |   |   |   |   |   |    |   |   |
| E      | Inner ring bore equal to a bore of following larger bearing group  |   |   |   |   |   |    |   |   |
| 20     | Shaft size in sixteenths of an inch                                |   |   |   |   |   |    |   |   |
| M30    | Shaft size, metric series in millimeters                           |   |   |   |   |   |    |   |   |
| E3     | Triple lip seals   |   |   |   |   |   |    |   |   |
| E      | Molded single lip seals  |   |   |   |   |   |    |   |   |
| H      | Floating labyrinth seals   |   |   |   |   |   |    |   |   |
| N      | Single lip seals   |   |   |   |   |   |    |   |   |
| L1     | Bearing without collar   |   |   |   |   |   |    |   |   |
| L      | Bearing with collar & setscrews                                    |   |   |   |   |   |    |   |   |

## Hex, Round and Square Bore Ball Bearings Nomenclature

| Symbol | Description  | 31 | R | B | G | 3 | - | 2 | 10 | E3 |
|--------|--|----|---|---|---|---|---|---|----|----|
| None   | Bore is basic metric size  |    |   |   |   |   |   |   |    |    |
| 31     | Shaft size in sixteenths of an inch  |    |   |   |   |   |   |   |    |    |
| R      | Bearing bore is round  |    |   |   |   |   |   |   |    |    |
| S      | Bearing bore is square   |    |   |   |   |   |   |   |    |    |
| K      | Bearing bore is hex  |    |   |   |   |   |   |   |    |    |
| None   | O.D. of outer ring is spherical  |    |   |   |   |   |   |   |    |    |
| B      | O.D. of outer ring is cylindrical  |    |   |   |   |   |   |   |    |    |
| None   | Non-relubricatable   |    |   |   |   |   |   |   |    |    |
| G      | Relubricatable (two holes in outer ring @ 180°)  |    |   |   |   |   |   |   |    |    |
| None   | Metric width outer ring; basic inch width inner ring   |    |   |   |   |   |   |   |    |    |
| 2      | Basic inch width outer ring; intermediate inch width inner ring  |    |   |   |   |   |   |   |    |    |
| 3      | Basic inch width outer ring; basic inch width inner ring   |    |   |   |   |   |   |   |    |    |
| 4      | Basic inch width outer ring; unground spherical O.D. with flat ground cylindrical center; intermediate inch width inner ring |    |   |   |   |   |   |   |    |    |
| 5      | Metric width outer ring; intermediate inch width inner ring  |    |   |   |   |   |   |   |    |    |
| 6      | Basic inch width outer ring; wide inch width inner ring  |    |   |   |   |   |   |   |    |    |
| 7      | Wide metric width outer ring; intermediate inch width inner ring   |    |   |   |   |   |   |   |    |    |
| 8      | Wide metric width outer ring; wide inch width inner ring   |    |   |   |   |   |   |   |    |    |
| 2      | Series 200 ball bearing designation  |    |   |   |   |   |   |   |    |    |
| E      | Bore is .031 inch oversize   |    |   |   |   |   |   |   |    |    |
| 10     | One fifth of basic mm bore size  |    |   |   |   |   |   |   |    |    |
| None   | Non-metallic retainer  |    |   |   |   |   |   |   |    |    |
| J      | Formed steel retainer, two-piece   |    |   |   |   |   |   |   |    |    |
| N      | Single lip seals   |    |   |   |   |   |   |   |    |    |
| E3     | Triple lip seals   |    |   |   |   |   |   |   |    |    |

## Seal Selection Guide

The choice of the seal for a mounted bearing is often the key to successful bearing operation and long service life. The Seal Selection Guide incorporates years of Link-Belt's experience against the wide variety of conditions encountered on actual applications. Following the simple selection procedure outlined can translate the benefits of that broad experience to the individual applications through the choice of the most effective seal.

### How to Use the Selection Guide

- The appropriate seal for a given application may be selected by comparing the job application conditions against those listed in the Seal Rating Guide on this page.
- When more than one application condition is present, the most appropriate seal may be selected based on prime sealing for the most detrimental condition, and secondary consideration given to the other application conditions.
- If further evaluation of the seals must be made, then refer to the General Design and Characteristic Guide
- Addition of auxiliary caps will enhance the primary seal performance shown in the chart.

### Considerations in Addition to Seal Selection

Under certain adverse conditions, other changes should be considered to achieve maximum bearing life:

- High temperature lubricants where housing or ambient temperatures exceed +200°F,
- Special greases for additional bearing protection where excessive water, solvents or chemicals are present.
- EP (extreme pressure) greases where high load, high shock load, or continuous vibration is present.
- Readjustment of internal operating clearance of bearing where extreme high or low temperature conditions exist.

## Seal Rating Guide

| Application Conditions             | Seal Ratings |              |              |               |
|------------------------------------|--------------|--------------|--------------|---------------|
|                                    | Clearance H  | Single Lip E | Single Lip N | Triple Lip E3 |
| <b>Shaft position</b>              |              |              |              |               |
| Horizontal Shaft                   | 4            | 4            | 4            | 4             |
| Vertical Shaft                     | 1            | 4            | 4            | 4             |
| <b>Operating Temperature</b>       |              |              |              |               |
| Below -40°F                        | 4            | 1            | 1            | 1             |
| -40°F to 0°F                       | 4            | 3            | 3            | 3             |
| 0°F to +250°F                      | 4            | 4            | 4            | 4             |
| +250°F to +400°F                   | 4            | 0            | 0            | 0             |
| Over 400°F                         | 4            | 0            | 0            | 0             |
| <b>Speed</b>                       |              |              |              |               |
| Equal to / Less than limit below   | 4            | 4            | 4            | 4             |
| More than limit below              | 4            | 1            | 1            | 1             |
| <b>Vibration/Shock</b>             |              |              |              |               |
| Occasional - Mild                  | 3            | 4            | 4            | 4             |
| Occasional - Severe                | 2            | 4            | 4            | 4             |
| Continuous - Mild                  | 1            | 3            | 3            | 3             |
| Continuous - Severe                | 0            | 3            | 3            | 3             |
| <b>Abrasive Material</b>           |              |              |              |               |
| Coarse - Over #10 Mesh             | 4            | 4            | 4            | 4             |
| Small - #10 to #50 Mesh            | 3            | 4            | 4            | 4             |
| Fine - #50 to #200 Mesh            | 1            | 3            | 3            | 4             |
| Very fine - Under #200 Mesh        | 0            | 3            | 3            | 4             |
| "Caking or buildup" (cement, etc.) | 2            | 3            | 3            | 4             |
| <b>Moisture</b>                    |              |              |              |               |
| Splash                             | 2            | 4            | 4            | 4             |
| Rain                               | 2            | 4            | 4            | 4             |
| Saturated Atmosphere               | 1            | 4            | 4            | 4             |
| Flooding                           | 0            | 3            | 3            | 4             |
| Pressure Wash                      | 0            | 3            | 3            | 4             |
| <b>Fibrous Material</b>            |              |              |              |               |
| Short Fibers (lint, etc.)          | 1            | 3            | 3            | 4             |
| Long Fibers (grass, etc.)          | 1            | 3            | 3            | 4             |
| <b>Chemical</b>                    |              |              |              |               |
| Acid Fumes and Liquids             | 1            | 1            | 1            | 1             |
| Alkaline Fumes and Liquids         | 1            | 1            | 1            | 1             |

### Rating Code

- 4 - Excellent - Best seal for conditions listed.
- 3 - Good - Sealability is above average.
- 2 - Fair - Seal performs under intermittent conditions.
- 1 - Limited - Actual conditions must be known to evaluate sealability. Check "General Characteristic Guide" for construction as well as benefits and limitations for further evaluation.
- 0 - Not acceptable - Will not effectively perform seal functions. Contact Rexnord for special assistance in the realm of materials and designs.

### Seal Speed Limit Table\*

| Size Code      | 203       | 204         | 205                | 206                | 207                | 208                | 209                | 210               | 211               | 212                | 213                | 215               | 217               | 220               |            |                    |
|----------------|-----------|-------------|--------------------|--------------------|--------------------|--------------------|--------------------|-------------------|-------------------|--------------------|--------------------|-------------------|-------------------|-------------------|------------|--------------------|
| Bearing Series | CL        |             | 212                | 214<br>215<br>216  | 218<br>219<br>2E20 | 220<br>222<br>223  |                    | 224               | 226<br>227<br>228 | 230<br>231<br>2E32 | 232<br>235<br>2E36 | 236<br>238<br>239 |                   |                   |            |                    |
|                |           | Y           | 2B08<br>210<br>211 | 212                | 214<br>215<br>216  | 218<br>219<br>2E20 | 220<br>222<br>223  |                   | 224               | 226<br>227<br>228  | 231<br>2E32        | 232<br>235        | 236<br>238<br>239 |                   |            |                    |
|                |           |             | U                  | 2B08<br>210<br>211 | 212                | 214<br>215<br>216  | 218<br>219<br>2E20 | 220<br>222<br>223 |                   | 224                | 226<br>227<br>228  | 231<br>2E32       | 232<br>235        | 236<br>238<br>239 | 240<br>243 | 244<br>247<br>2E48 |
|                | W         | 2B08<br>210 | 212                | 214<br>215<br>216  | 218<br>219<br>2E20 | 220<br>222<br>223  |                    | 224               | 226<br>227<br>228 | 231<br>2E32        |                    |                   |                   |                   |            |                    |
|                |           | S           |                    | 212                | 214<br>215<br>216  | 218<br>219<br>2E20 | 220<br>222<br>223  |                   | 224               | 226<br>227<br>228  | 231                |                   |                   |                   |            |                    |
|                | (RPM)     | H           | 12000              | 10000              | 9600               | 8000               | 6850               | 6000              | 5330              | 4800               | 4360               | 4000              | N/A               | N/A               | N/A        | N/A                |
|                |           | E           | 9000               | 7500               | 6800               | 5600               | 4800               | 4500              | 4000              | 3600               | N/A                | N/A               | N/A               | N/A               | N/A        | N/A                |
|                |           | N           | 12000              | 10000              | 9600               | 8000               | 6850               | 6000              | 5330              | 4800               | 4360               | 4000              | 3850              | 3300              | 2950       | 2500               |
|                |           | E3          | N/A                | N/A                | 1000               | N/A                | 700                | 650               | 600               | 550                | 500                | 450               | 400               | 350               | 300        | N/A                |
|                | Size Code | 203         | 204                | 205                | 206                | 207                | 208                | 209               | 210               | 211                | 212                | 213               | 215               | 217               | 220        |                    |

Refer to Seal Rating Guide shown above for speeds in excess of those listed in this table.

\* Actual bearing speed limits are largely based upon the applied load and can be found on the Load Rating Table.

## Series 200 Ball Bearings Selection Guide

To select a bearing, determine the applied radial load, the applied thrust load, the desired Rating Life, and applicable operating conditions. The procedure shown here will aid in selecting a bearing to meet an  $L_{10}$  design life. The formulas for calculating life expectancy should be used to determine the Rating Life  $L_{10}$  for the bearing selected.

The selection procedures and rating formulas shown here are in agreement with The American Bearing Manufacturers Association Standards and ANSI/ABMA Standards STD 9-1990. Ratings are based on fatigue life. The Rating Life or fatigue life at 90% reliability is the usual basis for bearing selection.

Series C200, U200, Y200, and hex, square and round bore bearings have wide inner rings for load support; however, the S200 and W200 series are extended on one side only for compactness and low cost. In combination with its companion line of economically designed housings, this series is applicable to light or moderate duty requirements. Where non-relubricatable bearings are used, bearing life is often limited by grease life, which is in turn affected by operating conditions. Also, economically designed housings must be applied within proportionate load limits. To assure a satisfactory bearing application, fitting practice, mounting, lubrication, sealing, static rating, housing strength, operating conditions and maintenance must be considered.

### Steps for Selection

#### Step 1

Determine an appropriate  $L_{10}$  design life.

| Type of service         | Operating time, hours per year | Design life, years | $L_{10}$ design life, hours |
|-------------------------|--------------------------------|--------------------|-----------------------------|
| Light seasonal usage    | 500 to 750                     | 3-5                | 3,000                       |
| Heavy seasonal usage    | 1,400 to 1,600                 | 4-6                | 8,000                       |
| Industrial—8 hour shift | 2,000                          | 10                 | 20,000                      |

#### Step 2

Determine a required  $\left(\frac{C}{P}\right)$  from Table 1.

#### Step 3

Calculate the required C and select a ball bearing.

a For radial load only:

$$P = F_r$$

$$\text{required } C = \left(\frac{C}{P}\right)P \text{ using } \left(\frac{C}{P}\right) \text{ from Step 2}$$

Select a ball bearing from Table 3 with a basic load rating C equal to or greater than the required C.

b For combined radial and thrust loads when  $\frac{F_a}{F_r}$  is 0.19 or less:

$$P = F_r$$

$$\text{required } C = \left(\frac{C}{P}\right)P \text{ using } \left(\frac{C}{P}\right) \text{ from Step 2}$$

Select a ball bearing from Table 3 with a basic load rating C equal to or greater than the required C.

#### Step 3 (continued)

c For combined radial and thrust loads when  $\frac{F_a}{F_r}$  is greater than 0.19, use the following trial method:

$$\text{Maximum } P = .56F_r + 2.30F_a$$

$$\text{Maximum required } C = \left(\frac{C}{P}\right)P \text{ using } \left(\frac{C}{P}\right) \text{ from Step 2}$$

Select a trial ball bearing with a basic load rating C from Table 3 approximately equal to the maximum required C.

$$\text{With this trial bearing calculate: } \frac{F_a}{Nd^2}$$

Determine X and Y from Table 2.

Calculate P for the trial bearing.

$$P = XF_r + YF_a$$

$$\text{required } C = \left(\frac{C}{P}\right)P \text{ for the trial bearing using } \left(\frac{C}{P}\right) \text{ from Step 2}$$

Consult Table 3, basic load rating. If a smaller bearing meets or nearly meets the required C, its life expectancy can be calculated. Note: If the load P is greater than .25C for series C200, U200, Y200, hex, square, and round bore bearings or greater than .15C for series S200 and W200, consult Rexnord Bearing Products.

## Selection

### Symbols for formulas:

C = basic load rating, pounds (or newtons)

Co = static load rating, pounds (or newtons)

e = a reference value

Fa = thrust load, pounds (or newtons)

Fr = radial load, pounds (or newtons)

L10 = rating life, hours

n = speed, revolutions per minute

P = equivalent radial load, pounds (or newtons)

X = radial factor

Y = thrust factor

**Table 1 • Relation of L10 life and speed to  $\left(\frac{C}{P}\right)$**

| Bearing life, hours L10 | $\left(\frac{C}{P}\right)$ ratio |      |      |      |      |      |      |      |       |  |
|-------------------------|----------------------------------|------|------|------|------|------|------|------|-------|--|
|                         | Speed, n                         |      |      |      |      |      |      |      |       |  |
|                         | 50                               | 100  | 200  | 300  | 400  | 500  | 600  | 700  | 800   |  |
| 3000                    | 2.08                             | 2.62 | 3.30 | 3.77 | 4.15 | 4.47 | 4.75 | 5.01 | 5.23  |  |
| 4000                    | 2.29                             | 2.88 | 3.63 | 4.15 | 4.57 | 4.92 | 5.23 | 5.51 | 5.76  |  |
| 5000                    | 2.46                             | 3.10 | 3.91 | 4.47 | 4.92 | 5.30 | 5.64 | 5.93 | 6.20  |  |
| 6000                    | 2.62                             | 3.30 | 4.15 | 4.75 | 5.23 | 5.64 | 5.99 | 6.30 | 6.59  |  |
| 8000                    | 2.88                             | 3.63 | 4.57 | 5.23 | 5.76 | 6.20 | 6.59 | 6.94 | 7.25  |  |
| 10000                   | 3.10                             | 3.91 | 4.92 | 5.64 | 6.20 | 6.68 | 7.10 | 7.47 | 7.81  |  |
| 12000                   | 3.30                             | 4.15 | 5.23 | 5.99 | 6.59 | 7.10 | 7.54 | 7.94 | 8.30  |  |
| 14000                   | 3.47                             | 4.37 | 5.51 | 6.30 | 6.94 | 7.47 | 7.94 | 8.36 | 8.74  |  |
| 16000                   | 3.63                             | 4.57 | 5.76 | 6.59 | 7.25 | 7.81 | 8.30 | 8.74 | 9.14  |  |
| 18000                   | 3.77                             | 4.75 | 5.99 | 6.86 | 7.54 | 8.13 | 8.63 | 9.09 | 9.50  |  |
| 20000                   | 3.91                             | 4.92 | 6.20 | 7.10 | 7.81 | 8.42 | 8.94 | 9.41 | 9.84  |  |
| 25000                   | 4.21                             | 5.30 | 6.68 | 7.65 | 8.42 | 9.07 | 9.63 | 10.1 | 10.6  |  |
| 30000                   | 4.47                             | 5.64 | 7.10 | 8.13 | 8.94 | 9.63 | 10.2 | 10.8 | 11.3  |  |
| 35000                   | 4.71                             | 5.93 | 7.47 | 8.55 | 9.41 | 10.1 | 10.8 | 11.3 | 11.9  |  |
| 40000                   | 4.92                             | 6.20 | 7.81 | 8.94 | 9.84 | 10.6 | 11.3 | 11.9 | 12.4  |  |
| 45000                   | 5.12                             | 6.45 | 8.13 | 9.30 | 10.2 | 11.0 | 11.7 | 12.3 | 12.9  |  |
| 50000                   | 5.30                             | 6.68 | 8.42 | 9.63 | 10.6 | 11.4 | 12.1 | 12.8 | 13.4  |  |
| 60000                   | 5.64                             | 7.10 | 8.94 | 10.2 | 11.3 | 12.1 | 12.9 | 13.6 | 14.2  |  |
| 70000                   | 5.93                             | 7.47 | 9.41 | 10.8 | 11.9 | 12.8 | 13.6 | 14.3 | 14.9  |  |
| 80000                   | 6.20                             | 7.81 | 9.84 | 11.3 | 12.4 | 13.4 | 14.2 | 14.9 | 15.6  |  |
| 90000                   | 6.45                             | 8.13 | 10.2 | 11.7 | 12.9 | 13.9 | 14.8 | 15.5 | 16.2  |  |
| 100000                  | 6.68                             | 8.42 | 10.6 | 12.1 | 13.4 | 14.4 | 15.3 | 16.1 | 16.8  |  |
| 150000                  | 7.65                             | 9.63 | 12.1 | 13.9 | 15.3 | 16.5 | 17.5 | 18.4 | 19.3  |  |
| 200000                  | 8.42                             | 10.6 | 13.4 | 15.3 | 16.8 | 18.1 | 19.3 | 20.3 | 21.2  |  |
|                         | Speed, n                         |      |      |      |      |      |      |      |       |  |
|                         | 900                              | 1000 | 1200 | 1500 | 1800 | 2400 | 3600 | 6000 | 10000 |  |
| 3000                    | 5.44                             | 5.64 | 5.99 | 6.45 | 6.86 | 7.54 | 8.63 | 10.2 | 12.1  |  |
| 4000                    | 5.99                             | 6.20 | 6.59 | 7.10 | 7.54 | 8.30 | 9.50 | 11.3 | 13.4  |  |
| 5000                    | 6.45                             | 6.68 | 7.10 | 7.65 | 8.13 | 8.94 | 10.2 | 12.1 | 14.4  |  |
| 6000                    | 6.86                             | 7.10 | 7.54 | 8.13 | 8.63 | 9.50 | 10.9 | 12.9 | 15.3  |  |
| 8000                    | 7.54                             | 7.81 | 8.30 | 8.94 | 9.50 | 10.5 | 12.0 | 14.2 | 16.8  |  |
| 10000                   | 8.13                             | 8.42 | 8.94 | 9.63 | 10.2 | 11.3 | 12.9 | 15.3 | 18.1  |  |
| 12000                   | 8.63                             | 8.94 | 9.50 | 10.2 | 10.9 | 12.0 | 13.7 | 16.2 | 19.3  |  |
| 14000                   | 9.09                             | 9.41 | 10.0 | 10.8 | 11.4 | 12.6 | 14.4 | 17.1 | 20.3  |  |
| 16000                   | 9.50                             | 9.84 | 10.5 | 11.3 | 12.0 | 13.2 | 15.1 | 17.9 | 21.2  |  |
| 18000                   | 9.88                             | 10.2 | 10.9 | 11.7 | 12.4 | 13.7 | 15.7 | 18.6 | 22.0  |  |
| 20000                   | 10.2                             | 10.6 | 11.3 | 12.1 | 12.9 | 14.2 | 16.2 | 19.3 | 22.8  |  |
| 25000                   | 11.0                             | 11.4 | 12.1 | 13.1 | 13.9 | 15.3 | 17.5 | 20.7 | 24.6  |  |
| 30000                   | 11.7                             | 12.1 | 12.9 | 13.9 | 14.8 | 16.2 | 18.6 | 22.0 | 26.1  |  |
| 35000                   | 12.3                             | 12.8 | 13.6 | 14.6 | 15.5 | 17.1 | 19.6 | 23.2 | 27.5  |  |
| 40000                   | 12.9                             | 13.4 | 14.2 | 15.3 | 16.2 | 17.9 | 20.5 | 24.3 | 28.7  |  |
| 45000                   | 13.4                             | 13.9 | 14.8 | 15.9 | 16.9 | 18.6 | 21.3 | 25.2 | 29.9  |  |
| 50000                   | 13.9                             | 14.4 | 15.3 | 16.5 | 17.5 | 19.3 | 22.0 | 26.1 | 31.0  |  |
| 60000                   | 14.8                             | 15.3 | 16.2 | 17.5 | 18.6 | 20.5 | 23.4 | 27.8 | 32.9  |  |
| 70000                   | 15.5                             | 16.1 | 17.1 | 18.4 | 19.6 | 21.5 | 24.6 | 29.2 | 34.6  |  |
| 80000                   | 16.2                             | 16.8 | 17.9 | 19.3 | 20.5 | 22.5 | 25.8 | 30.5 | 36.2  |  |
| 90000                   | 16.9                             | 17.5 | 18.6 | 20.0 | 21.3 | 23.4 | 26.8 | 31.8 | 37.7  |  |
| 100000                  | 17.5                             | 18.1 | 19.3 | 20.7 | 22.0 | 24.3 | 27.8 | 32.9 | 39.0  |  |
| 150000                  | 20.0                             | 20.7 | 22.0 | 23.7 | 25.2 | 27.8 | 31.8 | 37.7 | 44.6  |  |
| 200000                  | 22.0                             | 22.8 | 24.3 | 26.1 | 27.8 | 30.5 | 35.0 | 41.4 | 49.1  |  |

## Basic formula

$$\left(\frac{C}{P}\right) = \left(\frac{L_{10} \times n \times 60}{1,000,000}\right)^{1/3}$$

$$L_{10} = \frac{\left(\frac{C}{P}\right)^3 \times 1,000,000}{n \times 60}$$

## Life Expectancy

To calculate the Rating Life L10 of any selected or trial bearing:

**Step 1** Determine the equivalent radial load P.

a For radial load only:  
P = Fr

b For combined radial and thrust load:  
P = XFr + YFa using X and Y from Table 2 below.

**Step 2** Calculate the ratio of basic load rating C to the equivalent radial load.

$$\left(\frac{C}{P}\right)$$

**Step 3** Approximate the bearing life from Table 1.

**Table 2 • X and Y factors for ball bearings**

| Fa<br>Nd <sup>2</sup> | e   | Fa<br>Fr ≤ e |   | Fa<br>Fr > e |      |
|-----------------------|-----|--------------|---|--------------|------|
|                       |     | X            | Y | X            | Y    |
| 25                    | .19 | 1.0          | 0 | .56          | 2.30 |
| 37.5                  | .21 | 1.0          | 0 | .56          | 2.15 |
| 50                    | .22 | 1.0          | 0 | .56          | 1.99 |
| 75                    | .24 | 1.0          | 0 | .56          | 1.85 |
| 100                   | .26 | 1.0          | 0 | .56          | 1.71 |
| 125                   | .27 | 1.0          | 0 | .56          | 1.63 |
| 150                   | .28 | 1.0          | 0 | .56          | 1.56 |
| 200                   | .30 | 1.0          | 0 | .56          | 1.45 |
| 300                   | .34 | 1.0          | 0 | .56          | 1.31 |
| 500                   | .38 | 1.0          | 0 | .56          | 1.15 |
| 750                   | .42 | 1.0          | 0 | .56          | 1.04 |
| 1000                  | .44 | 1.0          | 0 | .56          | 1.00 |

For values between those in the table linear interpolation can be used.

### Life Adjustment

The Rating Life, L10, may be modified for some applications in accordance with the formula

$$L_n = a_1 a_2 a_3 L_{10}$$

where Ln = Adjusted life for (100-n) % reliability,

a1 = Life adjustment factor for reliability

a2 = Life adjustment factor for material and processing

a3 = Life adjustment factor for operating conditions.

For most normal applications, all factors will be taken as 1, and the Rating Life used as the selection basis or life estimate. In addition, as long as standard catalog bearings are used, a2 will be normally set equal to one. The factor a3 covers such things as lubrication, misalignment, and temperature. Some conditions that could yield a3 significantly different than unity include speeds less than 20000 DN or greater than 200000 DN, temperatures below -40°F (-40°C) or above 275°F (135°C). For other possible conditions, as well as additional information on life adjustment factors, consult Rexnord Bearing Products.

Table 3 • Load Ratings, Speed Limits and Ball Data

| Size Code | Co Static load rating |        | C Basic load rating |        | C Basic load rating Centrik-Lok CL |        | Approximate speed limit RPM* |             |          | d Ball diameter | N Number of balls | Nd2  |
|-----------|-----------------------|--------|---------------------|--------|------------------------------------|--------|------------------------------|-------------|----------|-----------------|-------------------|------|
|           | newtons               | pounds | newtons             | pounds | newtons                            | pounds | E Seals‡                     | N & H Seals | E3 Seals | inches          |                   |      |
| 203       | 4490                  | 1110   | 8100                | 1820   | ...                                | ...    | 9000                         | 12000       | ...      | 19/64           | 7                 | .617 |
| 204       | 6590                  | 1480   | 9830                | 2210   | 10900                              | 2450   | 7500                         | 10000       | ...      | 5/16            | 8                 | .781 |
| 205       | 7830                  | 1760   | 10810               | 2430   | 11920                              | 2680   | 6800                         | 9600        | 1000     | 5/16            | 9                 | .879 |
| 206       | 11300                 | 2530   | 15030               | 3380   | 16550                              | 3720   | 5600                         | 8000        | ...      | 3/8             | 9                 | 1.27 |
| 207       | 15300                 | 3440   | 19880               | 4470   | 21840                              | 4910   | 4800                         | 6850        | 700      | 7/16            | 9                 | 1.72 |
| 208       | 19900                 | 4460   | 25100               | 5640   | 24700                              | 5550   | 4500                         | 6000        | 650      | 1/2             | 9                 | 2.25 |
| 209       | 20400                 | 4590   | 25220               | 5670   | 27800                              | 6250   | 4000                         | 5330        | 600      | 1/2             | 9                 | 2.25 |
| 210       | 23200                 | 5220   | 27090               | 6090   | 29350                              | 6600   | 3600                         | 4800        | 550      | 1/2             | 10                | 2.5  |
| 211       | 29200                 | 6570   | 33540               | 7540   | 36920                              | 8300   | ...                          | 4360        | 500      | 9/16            | 10                | 3.16 |
| 212       | 36000                 | 8080   | 40520               | 9110   | 44620                              | 10030  | ...                          | 4000        | 450      | 5/8             | 10                | 3.91 |
| 213       | 40100                 | 9010   | 44220               | 9940   | ...                                | ...    | ...                          | 3850        | 400      | 21/32           | 10                | 4.31 |
| 215       | 49200                 | 11100  | 51600               | 11600  | ...                                | ...    | ...                          | 3300        | 350      | 11/16           | 11                | 5.2  |
| 217       | 63600                 | 14300  | 64500               | 14500  | ...                                | ...    | ...                          | 2950        | 300      | 25/32           | 11                | 6.71 |
| 220       | 92900                 | 20900  | 94300               | 21200  | ...                                | ...    | ...                          | 2500        | ...      | 1               | 10                | 10.0 |

If the load P is greater than .15C for S200 and W200 or .25C all others, consult Rexnord Bearing Division.

\* Based on grease lubrication and moderate load.

‡ E seals operation at higher speeds up to H seal speed limit is allowable providing the lip seal friction does not result in operating temperatures over 225°F (107°C).

**Table 4 • Radial load ratings in pounds at various RPM for appropriate L<sub>10</sub> life hours**

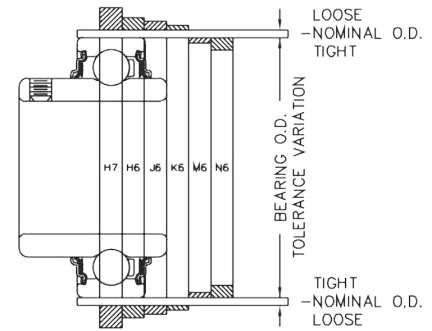
| Bearing Size Number          |           |  | Radial Load Ratings, Pounds |      |      |      |      |      |      |      |      |      |      |      |      |      |      |      |      |      |
|------------------------------|-----------|--|-----------------------------|------|------|------|------|------|------|------|------|------|------|------|------|------|------|------|------|------|
| Y200<br>U200<br>W200<br>S200 | Size Code | L <sub>10</sub><br>Minimum<br>life,<br>hours | Speed, RPM                  |      |      |      |      |      |      |      |      |      |      |      |      |      |      |      |      |      |
|                              |           |  | 50                          | 100  | 200  | 300  | 400  | 500  | 600  | 700  | 800  | 900  | 1000 | 1200 | 1500 | 1800 | 2000 | 2500 | 3000 | 3500 |
| 2B08                         | 203       | 8000   | ...                         | ...  | 397  | 347  | 315  | 293  | 276  | 262  | 250  | 241  | 232  | 219  | 203  | 191  | 184  | 171  | 161  | 153  |
| 210                          |           | 20000  | ...                         | 369  | 293  | 256  | 232  | 216  | 203  | 193  | 184  | 177  | 171  | 161  | 150  | 141  | 136  | 126  | 119  | 113  |
| 211                          |           | 40000  | 369                         | 293  | 232  | 203  | 184  | 171  | 161  | 153  | 146  | 141  | 136  | 128  | 119  | 112  | 108  | 100  | 94   | 90   |
| 2M17                         |           | 100000                                       | 272                         | 216  | 171  | 150  | 136  | 126  | 119  | 113  | 108  | 104  | 100  | 94   | 87   | 82   | 79   | 74   | 69   | 66   |
| 212                          | 204       | 8000   | ...                         | ...  | 483  | 422  | 383  | 356  | 335  | 318  | 304  | 292  | 282  | 266  | 247  | 232  | 224  | 208  | 196  | 186  |
| 2M20                         |           | 20000  | ...                         | 448  | 356  | 311  | 282  | 262  | 247  | 234  | 224  | 215  | 208  | 196  | 182  | 171  | 165  | 153  | 144  | 137  |
|                              |           | 40000  | 448                         | 356  | 282  | 247  | 224  | 208  | 196  | 186  | 178  | 171  | 165  | 155  | 144  | 136  | 131  | 122  | 114  | 109  |
|                              |           | 100000                                       | 330                         | 262  | 208  | 182  | 165  | 153  | 144  | 137  | 131  | 126  | 122  | 114  | 106  | 100  | 97   | 90   | 84   | 80   |
| 214                          | 205       | 8000   | ...                         | ...  | 531  | 464  | 421  | 391  | 368  | 350  | 334  | 321  | 310  | 292  | 271  | 255  | 246  | 229  | 215  | 204  |
| 215                          |           | 20000  | ...                         | 493  | 391  | 342  | 310  | 288  | 271  | 258  | 246  | 237  | 229  | 215  | 200  | 188  | 181  | 168  | 159  | 151  |
| 216                          |           | 40000  | 493                         | 391  | 310  | 271  | 246  | 229  | 215  | 204  | 196  | 188  | 181  | 171  | 159  | 149  | 144  | 134  | 126  | 120  |
| 2M25                         |           | 100000                                       | 363                         | 288  | 229  | 200  | 181  | 168  | 159  | 151  | 144  | 139  | 134  | 126  | 117  | 110  | 106  | 99   | 93   | 88   |
| 218                          | 206       | 8000   | ...                         | ...  | 738  | 645  | 586  | 544  | 512  | 486  | 465  | 447  | 432  | 406  | 377  | 355  | 343  | 318  | 299  | 284  |
| 219                          |           | 20000  | ...                         | 685  | 544  | 475  | 432  | 401  | 377  | 358  | 343  | 329  | 318  | 299  | 278  | 261  | 252  | 234  | 221  | 209  |
| 2E20                         |           | 40000  | 685                         | 544  | 432  | 377  | 343  | 318  | 299  | 284  | 272  | 261  | 252  | 238  | 221  | 208  | 200  | 186  | 175  | 166  |
| 2M30                         |           | 100000                                       | 505                         | 401  | 318  | 278  | 252  | 234  | 221  | 209  | 200  | 193  | 186  | 175  | 162  | 153  | 148  | 137  | 129  | 123  |
| 220                          | 207       | 8000   | ...                         | ...  | 976  | 853  | 775  | 719  | 677  | 643  | 615  | 591  | 571  | 537  | 499  | 469  | 453  | 421  | 396  | 376  |
| 222                          |           | 20000  | ...                         | 906  | 719  | 628  | 571  | 530  | 499  | 474  | 453  | 436  | 421  | 396  | 367  | 346  | 334  | 310  | 292  | 277  |
| 223                          |           | 40000  | 906                         | 719  | 571  | 499  | 453  | 421  | 396  | 376  | 360  | 346  | 334  | 314  | 292  | 274  | 265  | 246  | 231  | 220  |
| 2M35                         |           | 100000                                       | 668                         | 530  | 421  | 367  | 334  | 310  | 292  | 277  | 265  | 255  | 246  | 231  | 215  | 202  | 195  | 181  | 171  | 162  |
| 224                          | 208       | 8000   | ...                         | ...  | 1232 | 1076 | 978  | 908  | 854  | 811  | 776  | 746  | 720  | 678  | 629  | 592  | 572  | 531  | 499  | 474  |
|                              |           | 20000  | ...                         | 1143 | 908  | 793  | 720  | 669  | 629  | 598  | 572  | 550  | 531  | 499  | 464  | 436  | 421  | 391  | 368  | 350  |
| 2M40                         |           | 40000  | 1143                        | 908  | 720  | 629  | 572  | 531  | 499  | 474  | 454  | 436  | 421  | 396  | 368  | 346  | 334  | 310  | 292  | 277  |
|                              |           | 100000                                       | 843                         | 669  | 531  | 464  | 421  | 391  | 368  | 350  | 334  | 321  | 310  | 292  | 271  | 255  | 246  | 229  | 215  | 204  |
| 226                          | 209       | 8000   | ...                         | ...  | 1238 | 1082 | 983  | 912  | 859  | 816  | 780  | 750  | 724  | 681  | 633  | 595  | 575  | 534  | 502  | 477  |
| 227                          |           | 20000  | ...                         | 1150 | 912  | 797  | 724  | 672  | 633  | 601  | 575  | 553  | 534  | 502  | 466  | 439  | 423  | 393  | 370  | 351  |
| 228                          |           | 40000  | 1150                        | 912  | 724  | 633  | 575  | 534  | 502  | 477  | 456  | 439  | 423  | 399  | 370  | 348  | 336  | 312  | 294  | 279  |
| 2M45                         |           | 100000                                       | 847                         | 672  | 534  | 466  | 423  | 393  | 370  | 351  | 336  | 323  | 312  | 294  | 273  | 257  | 248  | 230  | 216  | 206  |
| 231                          | 210       | 8000   | ...                         | ...  | 1330 | 1162 | 1056 | 980  | 922  | 876  | 838  | 806  | 778  | 732  | 679  | 639  | 617  | 573  | 539  | 512  |
| 2E32                         |           | 20000  | ...                         | 1235 | 980  | 856  | 778  | 722  | 679  | 645  | 617  | 594  | 573  | 539  | 501  | 471  | 455  | 422  | 397  | 377  |
| 2M50                         |           | 40000  | 1235                        | 980  | 778  | 679  | 617  | 573  | 539  | 512  | 490  | 471  | 455  | 428  | 397  | 374  | 361  | 335  | 315  | 300  |
|                              |           | 100000                                       | 910                         | 722  | 573  | 501  | 455  | 422  | 397  | 377  | 361  | 347  | 335  | 315  | 293  | 276  | 266  | 247  | 232  | 221  |
| 232                          | 211       | 8000   | ...                         | ...  | 1647 | 1439 | 1307 | 1213 | 1142 | 1085 | 1037 | 997  | 963  | 906  | 841  | 792  | 764  | 710  | 668  | 634  |
| 235                          |           | 20000  | ...                         | 1529 | 1213 | 1060 | 963  | 894  | 841  | 799  | 764  | 735  | 710  | 668  | 620  | 583  | 563  | 523  | 492  | 467  |
|                              |           | 40000  | 1529                        | 1213 | 963  | 841  | 764  | 710  | 668  | 634  | 607  | 583  | 563  | 530  | 492  | 463  | 447  | 415  | 390  | 371  |
| 2M55                         |           | 100000                                       | 1126                        | 894  | 710  | 620  | 563  | 523  | 492  | 467  | 447  | 430  | 415  | 390  | 362  | 341  | 329  | 306  | 288  | 273  |
| E3 SEALS                     |           |  |                             |      |      |      |      |      |      |      |      |      |      |      |      |      |      |      |      |      |
| 236                          | 212       | 8000   | ...                         | ...  | 1990 | 1738 | 1579 | 1466 | 1379 | 1310 | 1253 | 1205 | 1164 | 1095 | 1016 | 956  | 923  | 857  | 807  | 766  |
| 238                          |           | 20000  | ...                         | 1847 | 1466 | 1281 | 1164 | 1080 | 1016 | 966  | 923  | 888  | 857  | 807  | 749  | 705  | 680  | 632  | 594  | 565  |
| 239                          |           | 40000  | 1847                        | 1466 | 1164 | 1016 | 923  | 857  | 807  | 766  | 733  | 705  | 680  | 640  | 594  | 559  | 540  | 501  | 472  | 448  |
| 2M60                         |           | 100000                                       | 1361                        | 1080 | 857  | 749  | 680  | 632  | 594  | 565  | 540  | 519  | 501  | 472  | 438  | 412  | 398  | 369  | 348  | 330  |
| E SEALS                      |           |  |                             |      |      |      |      |      |      |      |      |      |      |      |      |      |      |      |      |      |
| 240                          | 213       | 8000   | ...                         | ...  | 2171 | 1896 | 1723 | 1599 | 1505 | 1430 | 1368 | 1315 | 1270 | 1195 | 1109 | 1044 | 1008 | 935  | 880  | 836  |
| 243                          |           | 20000  | ...                         | 2015 | 1599 | 1397 | 1270 | 1179 | 1109 | 1053 | 1008 | 969  | 935  | 880  | 817  | 769  | 742  | 689  | 649  | 616  |
| 2M65                         |           | 40000  | 2015                        | 1599 | 1270 | 1109 | 1008 | 935  | 880  | 836  | 800  | 769  | 742  | 699  | 649  | 610  | 589  | 547  | 515  | 489  |
|                              |           | 100000                                       | 1485                        | 1179 | 935  | 817  | 742  | 689  | 649  | 616  | 589  | 567  | 547  | 515  | 478  | 450  | 434  | 403  | 379  | 360  |
| 244                          | 215       | 8000   | ...                         | ...  | 2533 | 2213 | 2011 | 1867 | 1757 | 1669 | 1596 | 1534 | 1482 | 1394 | 1294 | 1218 | 1176 | 1092 | 1027 |      |
| 247                          |           | 20000  | ...                         | 2352 | 1867 | 1631 | 1482 | 1375 | 1294 | 1229 | 1176 | 1131 | 1092 | 1027 | 954  | 897  | 866  | 804  | 757  |      |
| 2E48                         |           | 40000  | 2352                        | 1867 | 1482 | 1294 | 1176 | 1092 | 1027 | 976  | 933  | 897  | 866  | 815  | 757  | 712  | 688  | 638  | 601  |      |
| 2M75                         |           | 100000                                       | 1733                        | 1375 | 1092 | 954  | 866  | 804  | 757  | 719  | 688  | 661  | 638  | 601  | 558  | 525  | 507  | 470  | 443  |      |
| 255                          | 217       | 8000   | ...                         | ...  | 3167 | 2766 | 2513 | 2333 | 2196 | 2086 | 1995 | 1918 | 1852 | 1743 | 1618 | 1522 | 1470 | 1365 |      |      |
| 2E56                         |           | 20000  | ...                         | 2940 | 2333 | 2038 | 1852 | 1719 | 1618 | 1537 | 1470 | 1413 | 1365 | 1284 | 1192 | 1122 | 1083 | 1005 |      |      |
| 2M85                         |           | 40000  | 2940                        | 2333 | 1852 | 1618 | 1470 | 1365 | 1284 | 1220 | 1167 | 1122 | 1083 | 1019 | 946  | 890  | 860  | 798  |      |      |
|                              |           | 100000                                       | 2166                        | 1719 | 1365 | 1192 | 1083 | 1005 | 946  | 899  | 860  | 826  | 798  | 751  | 697  | 656  | 633  | 588  |      |      |
| 263                          | 220       | 8000   | ...                         | ...  | 4630 | 4045 | 3675 | 3411 | 3210 | 3049 | 2917 | 2804 | 2708 | 2548 | 2365 | 2226 | 2149 |      |      |      |
| 2E64                         |           | 20000  | ...                         | 4298 | 3411 | 2980 | 2708 | 2514 | 2365 | 2247 | 2149 | 2066 | 1995 | 1877 | 1743 | 1640 | 1583 |      |      |      |
|                              |           | 40000  | 4298                        | 3411 | 2708 | 2365 | 2149 | 1995 | 1877 | 1783 | 1706 | 1640 | 1583 | 1490 | 1383 | 1302 | 1257 |      |      |      |
| 2M100                        |           | 100000                                       | 3167                        | 2514 | 1995 | 1743 | 1583 | 1470 | 1383 | 1314 | 1257 | 1208 | 1167 | 1098 | 1019 | 959  | 926  |      |      |      |

\* Load exceeds 25% of the C rating, consult Rexnord Bearing Division.  
 Operation in the high speed shaded areas requires frequent relubrication.

# Housing Bearing Seat Diameters For Cylindrical O.D. Ball Bearings

## Class of fit selection

| Housing Construction                | Operating Condition                                  |  | Class of fit* | Remarks   |
|-------------------------------------|--|--|---------------|---|
| Housing not split radially          | Housing rotating in relation to direction of load    | Normal and heavy loads   | N6            | Outer ring not axially displaceable             |
|                                     |  | Light loads  | M6            |   |
|                                     | Direction of load indeterminate                      | Heavy shock loads  | K6            | Outer ring, as a rule, not axially displaceable |
|                                     |  | Normal and heavy loads where outer ring does not have to be axially displaceable |               |   |
| Housing split or not split radially | Housing stationary in relation to direction of loads | Normal and light loads where displaceability of outer ring is desirable          | J6            | Outer ring, as a rule, axially displaceable     |
|                                     |  | Shock loads temporary complete unloading   | H6            |   |
|                                     | All loads  | Housing not split radially   |               | H7  |
|                                     |  | Housing split radially   |               |   |



\*For cast iron or steel housings. For housings of light metal, select tolerances which give slightly tighter fits than those shown.

## Class of fit and housing bores (inches/μm)

| Basic Size                      |                         |                                       |              | Bearing/housing diameter fits ▲ |           |              |           |              |           |              |           |              |           |              |        |        |
|---------------------------------|-------------------------|---------------------------------------|--------------|---------------------------------|-----------|--------------|-----------|--------------|-----------|--------------|-----------|--------------|-----------|--------------|--------|--------|
| W200,<br>Y200,<br>U200,<br>C200 | R200,<br>S200,<br>K200, | Nominal Bearing O.D. and Housing Bore |              | Bearing O.D. Tolerance<br>△     | H7        |              | H6        |              | J6        |              | K6        |              | M6        |              | N6     |        |
|                                 |                         | mm                                    | inches       |                                 | Tolerance |              | Tolerance |              | Tolerance |              | Tolerance |              | Tolerance |              |        |        |
|                                 |                         | Fit                                   | Housing Bore |                                 | Fit       | Housing Bore | Fit       | Housing Bore | Fit       | Housing Bore | Fit       | Housing Bore | Fit       | Housing Bore |        |        |
| 2M17                            | 211                     | 203                                   | 40 1.5748    | +0.000                          | .0000     | -.0000       | .00000    | -.0000       | .0002T    | -.0002       | .0005T    | -.0005       | .0008T    | -.0008       | .0011T | -.0011 |
|                                 |                         |                                       |              |                                 | -.0005    | .0015L       | +0.0010   | .0011L       | +0.0006   | .0009L       | +0.0004   | .0006L       | +0.0001   | .0003L       | -.0002 | .0000  |
| 2M20                            | 212                     | 204                                   | 47 1.8504    | +0                              | 0         | -0           | 0         | -0           | 5T        | -5           | 13T       | -13          | 20T       | -20          | 28T    | -28    |
|                                 |                         |                                       |              |                                 | -13       | 38L          | +25       | 28L          | +15       | 23L          | +10       | 15L          | +2        | 8L           | -5     | 0      |
| 2M25                            | 216                     | 205                                   | 52 2.0472    | +0.000                          | .0000     | -.0000       | .0000     | -.0000       | .0002T    | -.0002       | .0006T    | -.0006       | .0010T    | -.0010       | .0013T | -.0013 |
| 2M30                            | 219                     | 206                                   | 62 2.4409    | -.0005                          | .0017L    | +0.0012      | .0012L    | +0.0007      | .0010L    | +0.0005      | .0006L    | +0.0001      | .0002L    | -.0003       | .0001T | -.0006 |
| 2M35                            | 223                     | 207                                   | 72 2.8346    | +0                              | 0         | -0           | 0         | -0           | 5T        | -5           | 15T       | -15          | 25T       | -25          | 33T    | -43    |
| 2M40                            | 225                     | 208                                   | 80 3.1496    | -13                             | 43L       | +30          | 30L       | +17          | 26L       | +13          | 15L       | +2           | 5L        | -8           | 2T     | -15    |
| 2M45                            | 228                     | 209                                   | 85 3.3465    | +0.000                          | .0000     | -.0000       | .0000     | -.0000       | .0002T    | -.0002       | .0007T    | -.0007       | .0012T    | -.0012       | .0016T | -.0016 |
| 2M50                            | 231                     | 210                                   | 90 3.5433    | -.0006                          | .0020L    | +0.0014      | .0015L    | +0.0009      | .0013L    | +0.0007      | .0008L    | +0.0002      | .0003L    | -.0003       | .0001T | -.0007 |
| 2M55                            | 235                     | 211                                   | 100 3.9370   | +0                              | 0         | -0           | 0         | -0           | 5T        | -5           | 18T       | -18          | 30T       | -30          | 40T    | -40    |
| 2M60                            | 239                     | 212                                   | 110 4.3307   | -15                             | 50L       | +35          | 38L       | +23          | 33L       | +18          | 20L       | +5           | 8L        | -8           | 3T     | -18    |

Please consult for availability.

1μm = .001 mm

The appropriate housing bore for any class of fit can be easily determined by applying the housing tolerance to the nominal housing bore.

Example, (using basic size 211 and class of fit H7):

|                        | inches   |        | mm     |        |
|------------------------|----------|--------|--------|--------|
| Nominal housing bore   | = 1.5748 | 1.5748 | 40.000 | 40.000 |
| Housing bore tolerance | = -.0000 | +.0010 | -0.000 | +0.025 |
| Resultant housing bore | = 1.5748 | 1.5758 | 40.000 | 40.025 |

▲ Symbol L indicates a loose or clearance fit. Symbol T indicates a tight or interference fit.

△ The arithmetical mean of the largest and smallest single diameter to be within tolerance shown. Allowable deviations from mean diameter per ANSI/ABMA Standard 20, latest printing.



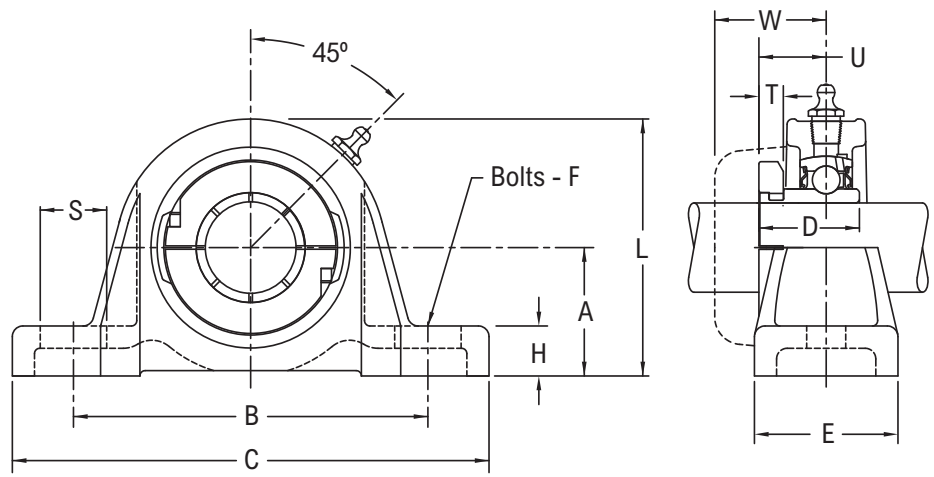


# P3CL200



## Product Features

- Corrosion-resistant powder coating
- Cast iron housing
- Broad range of sealing options
- Wide inner ring for increased shaft stability
- Alignable & relubricatable
- See Features & Benefits for additional info.



## Bearing Dimensions

| Size Code | Shaft Diameter   | Part Number               | A<br>Base to Centerline Height | B<br>Distance Between Bolt Holes | C               | D                | E              | F             | H               | L                | M                | S               | U                | W                | Approx. Weight |       |
|-----------|------------------|---------------------------|--------------------------------|----------------------------------|-----------------|------------------|----------------|---------------|-----------------|------------------|------------------|-----------------|------------------|------------------|----------------|-------|
| 204       | $\frac{3}{4}$    | P3CL212N* $\blacksquare$  | $1\frac{5}{16}$                | $3\frac{7}{8}$                   | $5\frac{1}{8}$  | $1\frac{11}{32}$ | $1\frac{1}{2}$ | $\frac{3}{8}$ | $\frac{1}{2}$   | $2\frac{19}{32}$ | $1\frac{59}{64}$ | $\frac{11}{16}$ | $\frac{27}{32}$  | $1\frac{21}{64}$ | 1.70           |       |
|           | 20.00            | P3CL2M20N* $\blacksquare$ | 33.34                          | 98.40                            | 130.20          | 34.04            | 38.10          | 10.00         | 12.70           | 65.90            | 48.77            | 17.50           | 21.34            | 33.78            | 0.76           |       |
| 205       | $\frac{7}{8}$    | P3CL214N* $\Delta$        | $1\frac{7}{16}$                | 4                                | $5\frac{3}{8}$  | $1\frac{3}{8}$   | $1\frac{5}{8}$ | $\frac{3}{8}$ | $\frac{9}{16}$  | $2\frac{7}{8}$   | $2\frac{5}{64}$  | $\frac{11}{16}$ | $\frac{13}{16}$  | $1\frac{5}{16}$  | 1.90           |       |
|           | $\frac{15}{16}$  | P3CL215N* $\Delta$        |                                |                                  |                 |                  |                |               |                 |                  |                  |                 |                  |                  |                |       |
|           | 1                | P3CL216N* $\Delta$        | 25.00                          | P3CL2M25N* $\blacksquare$        | 36.51           | 101.60           | 136.50         | 34.80         | 41.30           | 10.00            | 14.30            | 73.00           | 52.83            | 17.50            | 20.57          | 33.27 |
| 206       | 1                | P3CL2B16N* $\blacksquare$ | $1\frac{11}{16}$               | $4\frac{5}{8}$                   | $6\frac{5}{16}$ | $1\frac{9}{16}$  | $1\frac{3}{4}$ | $\frac{1}{2}$ | $\frac{11}{16}$ | $3\frac{5}{16}$  | $2\frac{15}{32}$ | $\frac{15}{16}$ | $\frac{61}{64}$  | $1\frac{15}{32}$ | 2.80           |       |
|           | $1\frac{1}{8}$   | P3CL218N* $\blacksquare$  |                                |                                  |                 |                  |                |               |                 |                  |                  |                 |                  |                  |                |       |
|           | $1\frac{3}{16}$  | P3CL219N* $\blacksquare$  |                                |                                  |                 |                  |                |               |                 |                  |                  |                 |                  |                  |                |       |
|           | $1\frac{1}{4}$   | P3CL2E20N* $\blacksquare$ |                                |                                  |                 |                  |                |               |                 |                  |                  |                 |                  |                  |                |       |
|           | 30.00            | P3CL2M30N* $\blacksquare$ | 42.86                          | 117.50                           | 106.30          | 39.62            | 44.40          | 12.00         | 17.50           | 84.10            | 62.48            | 23.80           | 24.13            | 37.34            | 1.27           |       |
| 207       | $1\frac{3}{16}$  | P3CL2B19N* $\Delta$       | $1\frac{7}{8}$                 | $4\frac{15}{16}$                 | $6\frac{3}{8}$  | $1\frac{3}{4}$   | $1\frac{7}{8}$ | $\frac{1}{2}$ | $\frac{13}{16}$ | $3\frac{11}{16}$ | $2\frac{7}{8}$   | $\frac{13}{16}$ | $1\frac{3}{32}$  | $1\frac{37}{64}$ | 3.80           |       |
|           | $1\frac{1}{4}$   | P3CL220N* $\Delta$        |                                |                                  |                 |                  |                |               |                 |                  |                  |                 |                  |                  |                |       |
|           | $1\frac{3}{8}$   | P3CL222N* $\Delta$        |                                |                                  |                 |                  |                |               |                 |                  |                  |                 |                  |                  |                |       |
|           | $1\frac{7}{16}$  | P3CL223N* $\Delta$        |                                |                                  |                 |                  |                |               |                 |                  |                  |                 |                  |                  |                |       |
|           | 35.00            | P3CL2M35N* $\blacksquare$ | 47.62                          | 125.40                           | 161.90          | 44.45            | 47.60          | 12.00         | 20.60           | 93.70            | 73.15            | 20.60           | 27.69            | 40.13            | 1.73           |       |
| 208       | $1\frac{7}{16}$  | P3CL2B23N* $\Delta$       | 2                              | $5\frac{3}{8}$                   | $7\frac{1}{16}$ | $1\frac{15}{16}$ | $1\frac{7}{8}$ | $\frac{1}{2}$ | $\frac{13}{16}$ | 4                | $3\frac{3}{64}$  | $\frac{15}{16}$ | $1\frac{7}{32}$  | $1\frac{43}{64}$ | 4.70           |       |
|           | $1\frac{1}{2}$   | P3CL224N* $\Delta$        |                                |                                  |                 |                  |                |               |                 |                  |                  |                 |                  |                  |                |       |
|           | $1\frac{5}{8}$   | P3CL2E26N* $\Delta$       |                                |                                  |                 |                  |                |               |                 |                  |                  |                 |                  |                  |                |       |
|           | 40.00            | P3CL2M40N* $\blacksquare$ | 50.80                          | 136.50                           | 179.40          | 49.28            | 47.60          | 12.00         | 20.60           | 101.60           | 77.47            | 23.80           | 30.73            | 42.42            | 2.12           |       |
| 209       | $1\frac{1}{2}$   | P3CL2B24N* $\Delta$       | $2\frac{1}{8}$                 | $5\frac{5}{8}$                   | $7\frac{1}{4}$  | $1\frac{61}{64}$ | 2              | $\frac{1}{2}$ | $\frac{13}{16}$ | $4\frac{5}{16}$  | $3\frac{17}{64}$ | $\frac{7}{8}$   | $1\frac{13}{64}$ | $1\frac{11}{16}$ | 5.40           |       |
|           | $1\frac{5}{8}$   | P3CL226N* $\Delta$        |                                |                                  |                 |                  |                |               |                 |                  |                  |                 |                  |                  |                |       |
|           | $1\frac{11}{16}$ | P3CL227N* $\Delta$        |                                |                                  |                 |                  |                |               |                 |                  |                  |                 |                  |                  |                |       |
|           | $1\frac{3}{4}$   | P3CL228N* $\Delta$        |                                |                                  |                 |                  |                |               |                 |                  |                  |                 |                  |                  |                |       |
|           | 45.00            | P3CL2M45N* $\blacksquare$ | 53.98                          | 142.90                           | 184.20          | 49.53            | 50.80          | 12.00         | 20.60           | 109.50           | 82.80            | 22.20           | 30.48            | 42.67            | 2.43           |       |
| 210       | $1\frac{11}{16}$ | P3CL2B27N* $\Delta$       | $2\frac{1}{4}$                 | $6\frac{3}{16}$                  | $7\frac{7}{8}$  | $2\frac{5}{64}$  | $2\frac{1}{8}$ | $\frac{5}{8}$ | $\frac{7}{8}$   | $4\frac{1}{2}$   | $3\frac{5}{8}$   | $\frac{15}{16}$ | $1\frac{21}{64}$ | $1\frac{51}{64}$ | 6.10           |       |
|           | $1\frac{3}{4}$   | P3CL2B28N* $\Delta$       |                                |                                  |                 |                  |                |               |                 |                  |                  |                 |                  |                  |                |       |
|           | $1\frac{7}{8}$   | P3CL230N* $\Delta$        |                                |                                  |                 |                  |                |               |                 |                  |                  |                 |                  |                  |                |       |
|           | $1\frac{15}{16}$ | P3CL231N* $\Delta$        |                                |                                  |                 |                  |                |               |                 |                  |                  |                 |                  |                  |                |       |

Continued...

Continued...

**Bearing Dimensions**

| Size Code | Shaft Diameter | Part Number  | A<br>Base to<br>Centerline<br>Height | B<br>Distance<br>Between<br>Bolt Holes | C      | D       | E     | F     | H      | L      | M       | S      | U       | W       | Approx.<br>Weight |
|-----------|----------------|--------------|--------------------------------------|--|--------|---------|-------|-------|--------|--------|---------|--------|---------|---------|-------------------|
| 210       | 2              | P3CL2E32N*Δ■ | 2 1/4                                | 6 3/16                                 | 7 7/8  | 2 5/64  | 2 1/8 | 5/8   | 7/8    | 4 1/2  | 3 5/8   | 15/16  | 1 21/64 | 1 51/64 | 6.10              |
|           | 50.00          | P3CL2M50N*Δ■ | 57.15                                | 157.20                                 | 200.00 | 52.58   | 54.00 | 16.00 | 22.20  | 114.30 | 92.20   | 23.80  | 33.53   | 45.72   | 2.75              |
| 211       | 1 15/16        | P3CL2B31N*Δ■ | 2 1/2                                | 6 3/4                                  | 9 1/16 | 2 15/64 | 2 3/8 | 5/8   | 1      | 5      | 3 29/32 | 1 5/16 | 1 13/32 | 1 15/16 | 7.80              |
|           | 2              | P3CL232N*Δ■  |                                      |  |        |         |       |       |        |        |         |        |         |         |                   |
|           | 2 3/16         | P3CL235N*Δ■  |                                      |  |        |         |       |       |        |        |         |        |         |         |                   |
|           | 2 1/4          | P3CL2E36N*Δ■ |                                      |  |        |         |       |       |        |        |         |        |         |         |                   |
| 55.00     | P3CL2M55N*Δ■   | 63.50        | 171.40                               | 230.20                                 | 56.90  | 60.30   | 16.00 | 25.40 | 127.00 | 99.31  | 33.30   | 35.56  | 49.28   | 3.51    |                   |
| 212       | 2 3/16         | P3CL2B35N*Δ■ | 2 11/16                              | 7 1/2                                  | 9 1/2  | 3 1/16  | 2 1/2 | 5/8   | 1 1/8  | 5 3/8  | 4 11/16 | 1 1/16 | 2 1/16  | 2 13/32 | 11.40             |
|           | 2 1/4          | P3CL236N*Δ■  |                                      |  |        |         |       |       |        |        |         |        |         |         |                   |
|           | 2 3/8          | P3CL238N*Δ■  |                                      |  |        |         |       |       |        |        |         |        |         |         |                   |
|           | 2 7/16         | P3CL239N*Δ■  |                                      |  |        |         |       |       |        |        |         |        |         |         |                   |
| 60.00     | P3CL2M60N*Δ■   | 68.26        | 190.50                               | 241.30                                 | 77.72  | 63.50   | 16.00 | 28.60 | 136.50 | 119.13 | 27.00   | 52.32  | 60.96   | 5.13    |                   |

**Additional Notes**

Please call 1-866-REXNORD for availability

\* N lip seals standard

Lubrication fitting tap size: for size code 203, 1/4 in-28 UNF; for all other size codes, 1/8 in PT

Base to centerline tolerance, +0.000 in/-0.010 in (+0.00 mm/-0.25 mm)

\* N lip seals standard

■ Available with H labyrinth seals

Δ Available with E3 triple lip seals

Nickel plated housings available through size code 212, add suffix K75

For the Selection Guide, Load Ratings and Speed Limits, see the Link-Belt 200 Series Ball Bearing Engineering section

Note: Dimensions subject to change. Certified dimensions of ordered material furnished on request.

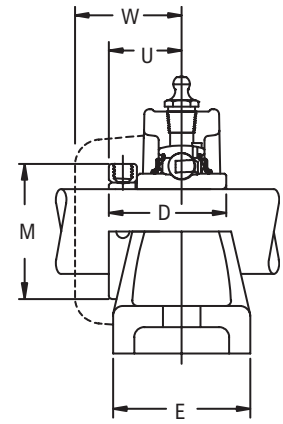
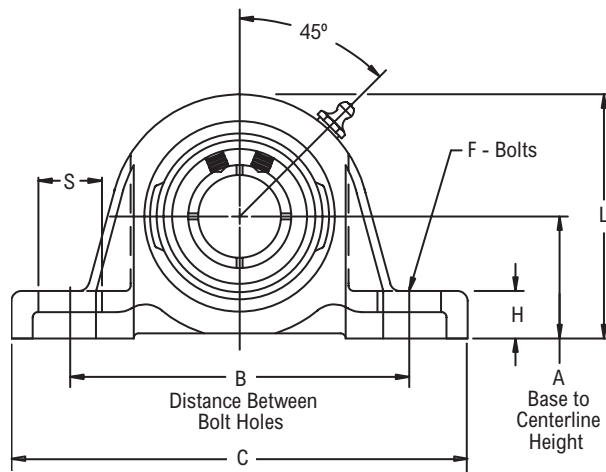
# P3C200



Photo Shows a 2-Bolt Ball Bearing Pillow Block Unit

## Product Features

- Corrosion-resistant powder coating
- Cast iron housing
- Broad range of sealing options
- Wide inner ring for increased shaft stability
- Centrik-Lok shaft locking device
- Alignable & relubricatable
- See Features & Benefits for additional info.



## Bearing Dimensions

| Size Code | Shaft Diameter    | Part Number | A<br>Base to<br>Centerline<br>Height | B<br>Distance<br>Between<br>Bolt Holes | C                | D                 | E               | F             | H               | L                 | M                 | S                | U                | W                 | Approx.<br>Weight |
|-----------|-------------------|-------------|--------------------------------------|--|------------------|-------------------|-----------------|---------------|-----------------|-------------------|-------------------|------------------|------------------|-------------------|-------------------|
| 203       | $\frac{5}{8}$     | P3C210N *   | $1 \frac{3}{16}$                     | $3 \frac{1}{2}$                        | $4 \frac{5}{8}$  | $1 \frac{3}{32}$  | $1 \frac{1}{2}$ | $\frac{3}{8}$ | $\frac{1}{2}$   | $2 \frac{11}{32}$ | $1 \frac{13}{64}$ | $\frac{3}{4}$    | $\frac{41}{64}$  | $1 \frac{13}{64}$ | 1.00              |
|           | $\frac{1}{2}$     | P3C2B08N *  |                                      |  |                  |                   |                 |               |                 |                   | $1 \frac{1}{8}$   |                  |                  |                   |                   |
| 204       | $\frac{3}{4}$     | P3C212N *   | $1 \frac{5}{16}$                     | $3 \frac{7}{8}$                        | $5 \frac{1}{8}$  | $1 \frac{7}{32}$  | $1 \frac{1}{2}$ | $\frac{3}{8}$ | $\frac{1}{2}$   | $2 \frac{19}{32}$ | $1 \frac{3}{8}$   | $\frac{11}{16}$  | $\frac{23}{32}$  | $1 \frac{19}{64}$ | 1.70              |
|           | $\frac{7}{8}$     | P3C214N *   |                                      |  |                  |                   |                 |               |                 |                   |                   |                  |                  |                   |                   |
| 205       | 1                 | P3C216N *   | $1 \frac{7}{16}$                     | 4                                      | $5 \frac{3}{8}$  | $1 \frac{5}{16}$  | $1 \frac{5}{8}$ | $\frac{3}{8}$ | $\frac{9}{16}$  | $2 \frac{7}{8}$   | $1 \frac{9}{16}$  | $\frac{11}{16}$  | $\frac{3}{4}$    | $1 \frac{9}{32}$  | 1.90              |
|           | $\frac{1}{8}$     | P3C218N *   |                                      |  |                  |                   |                 |               |                 |                   |                   |                  |                  |                   |                   |
| 206       | $\frac{1}{4}$     | P3C219N *   | $1 \frac{11}{16}$                    | $4 \frac{5}{8}$                        | $6 \frac{5}{16}$ | $1 \frac{1}{2}$   | $1 \frac{3}{4}$ | $\frac{1}{2}$ | $\frac{11}{16}$ | $3 \frac{5}{16}$  | $1 \frac{13}{16}$ | $\frac{15}{16}$  | $\frac{7}{8}$    | $1 \frac{29}{64}$ | 2.80              |
|           | $\frac{3}{16}$    | P3C220N *   |                                      |  |                  |                   |                 |               |                 |                   | 2                 |                  |                  |                   |                   |
|           | $\frac{1}{4}$     | P3C220N *   |                                      |  |                  |                   |                 |               |                 |                   | 2                 |                  |                  |                   |                   |
| 207       | $\frac{1}{4}$     | P3C220N *   | $1 \frac{7}{8}$                      | $4 \frac{15}{16}$                      | $6 \frac{3}{8}$  | $1 \frac{11}{16}$ | $1 \frac{7}{8}$ | $\frac{1}{2}$ | $\frac{13}{16}$ | $3 \frac{11}{16}$ | 2                 | $\frac{13}{16}$  | 1                | $1 \frac{35}{64}$ | 3.80              |
|           | $\frac{3}{8}$     | P3C222N *   |                                      |  |                  |                   |                 |               |                 |                   | $2 \frac{1}{4}$   |                  |                  |                   |                   |
|           | $\frac{7}{16}$    | P3C223N *   |                                      |  |                  |                   |                 |               |                 |                   | $2 \frac{1}{4}$   |                  |                  |                   |                   |
| 208       | $1 \frac{1}{2}$   | P3C224N *   | 2                                    | $5 \frac{3}{8}$                        | $7 \frac{1}{16}$ | $1 \frac{15}{16}$ | $1 \frac{7}{8}$ | $\frac{1}{2}$ | $\frac{13}{16}$ | 4                 | $2 \frac{1}{2}$   | $\frac{15}{16}$  | $1 \frac{3}{16}$ | $1 \frac{41}{64}$ | 4.70              |
|           | $\frac{5}{8}$     | P3C226N *   |                                      |  |                  |                   |                 |               |                 |                   | $2 \frac{1}{2}$   |                  |                  |                   |                   |
| 209       | $1 \frac{11}{16}$ | P3C227N *   | $2 \frac{1}{8}$                      | $5 \frac{5}{8}$                        | $7 \frac{1}{4}$  | $1 \frac{15}{16}$ | 2               | $\frac{1}{2}$ | $\frac{13}{16}$ | $4 \frac{5}{16}$  | $2 \frac{11}{16}$ | $\frac{7}{8}$    | $1 \frac{3}{16}$ | $1 \frac{21}{32}$ | 5.40              |
|           | $\frac{3}{4}$     | P3C228N *   |                                      |  |                  |                   |                 |               |                 |                   | $2 \frac{11}{16}$ |                  |                  |                   |                   |
|           | $1 \frac{15}{16}$ | P3C231N *   |                                      |  |                  |                   |                 |               |                 |                   | $2 \frac{11}{16}$ |                  |                  |                   |                   |
| 210       | 2                 | P3C232N *   | $2 \frac{1}{4}$                      | $6 \frac{3}{16}$                       | $7 \frac{7}{8}$  | $2 \frac{1}{32}$  | $2 \frac{1}{8}$ | $\frac{5}{8}$ | $\frac{7}{8}$   | $4 \frac{1}{2}$   | $2 \frac{7}{8}$   | $\frac{15}{16}$  | $1 \frac{9}{32}$ | $1 \frac{25}{32}$ | 6.10              |
|           | $\frac{1}{2}$     | P3C2E32N *  |                                      |  |                  |                   |                 |               |                 |                   |                   |                  |                  |                   |                   |
| 211       | 2                 | P3C232N *   | $2 \frac{1}{2}$                      | $6 \frac{3}{4}$                        | $9 \frac{1}{16}$ | $2 \frac{3}{16}$  | $2 \frac{3}{8}$ | $\frac{5}{8}$ | 1               | 5                 | $2 \frac{7}{8}$   | $1 \frac{5}{16}$ | $1 \frac{5}{16}$ | $2 \frac{1}{64}$  | 7.80              |
|           | $\frac{3}{16}$    | P3C235N *   |                                      |  |                  |                   |                 |               |                 |                   | $3 \frac{1}{8}$   |                  |                  |                   |                   |
|           | $\frac{1}{4}$     | P3C236N *   |                                      |  |                  |                   |                 |               |                 |                   | $3 \frac{1}{8}$   |                  |                  |                   |                   |
| 212       | $2 \frac{1}{4}$   | P3C236N *   | $2 \frac{11}{16}$                    | $7 \frac{1}{2}$                        | $9 \frac{1}{2}$  | $2 \frac{9}{16}$  | $2 \frac{1}{2}$ | $\frac{5}{8}$ | $1 \frac{1}{8}$ | $5 \frac{3}{8}$   | $3 \frac{1}{8}$   | $1 \frac{1}{16}$ | $1 \frac{9}{16}$ | $2 \frac{7}{64}$  | 11.40             |
|           | $2 \frac{7}{16}$  | P3C239N *   |                                      |  |                  |                   |                 |               |                 |                   | $3 \frac{3}{8}$   |                  |                  |                   |                   |

## Additional Notes

- Please call 1-866-REXNORD for availability
- Lubrication fitting tap size: for size code 203, 1/4 in-28 UNF; for all other size codes, 1/8 in PT
- Base to centerline tolerance, +.000 in/-0.010 in (+0.00 mm/-0.25 mm)
- \* N lip seals standard
- Nickel plated housings available through size code 212, add suffix K75
- For the Selection Guide, Load Ratings and Speed Limits, see the Link-Belt 200 Series Ball Bearing Engineering section

Note: Dimensions subject to change. Certified dimensions of ordered material furnished on request.

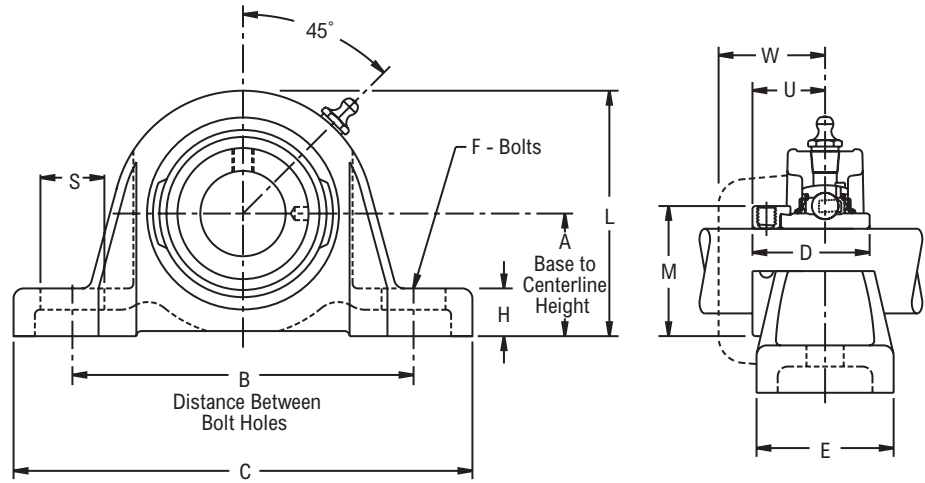
# P3Y200



Photo Shows a 2-Bolt Ball Bearing Pillow Block Unit

## Product Features

- Corrosion-resistant powder coating
- Cast iron housing
- Broad range of sealing options
- Wide inner ring for increased shaft stability
- Eccentric cam locking device
- Alignable & relubricatable
- See Features & Benefits for additional info.



## Bearing Dimensions

| Size Code | Shaft Diameter   | Part Number | A Base to Centerline Height | B Distance Between Bolt Holes | C               | D                | E              | F             | H               | L                | M               | S               | U                | W                | Approx. Weight |
|-----------|------------------|-------------|-----------------------------|-------------------------------|-----------------|------------------|----------------|---------------|-----------------|------------------|-----------------|-----------------|------------------|------------------|----------------|
| 203       | $\frac{5}{8}$    | P3Y210N *■  | $1\frac{3}{16}$             | $3\frac{1}{2}$                | $4\frac{5}{8}$  | $1\frac{15}{32}$ | $1\frac{1}{2}$ | $\frac{3}{8}$ | $\frac{1}{2}$   | $2\frac{11}{32}$ | $1\frac{1}{8}$  | $\frac{3}{4}$   | $\frac{59}{64}$  | $1\frac{13}{64}$ | 1.10           |
|           | $\frac{11}{16}$  | P3Y211N *■  |                             |                               |                 |                  |                |               |                 |                  |                 |                 |                  |                  |                |
|           | $\frac{1}{2}$    | P3Y2B08N *■ |                             |                               |                 |                  |                |               |                 |                  |                 |                 |                  |                  |                |
| 204       | $\frac{3}{4}$    | P3Y212N *■  | $1\frac{5}{16}$             | $3\frac{7}{8}$                | $5\frac{1}{8}$  | $1\frac{23}{32}$ | $1\frac{1}{2}$ | $\frac{3}{8}$ | $\frac{1}{2}$   | $2\frac{19}{32}$ | $1\frac{5}{16}$ | $\frac{11}{16}$ | $1\frac{3}{64}$  | $1\frac{19}{64}$ | 1.80           |
|           | $\frac{7}{8}$    | P3Y214N *Δ  |                             |                               |                 |                  |                |               |                 |                  |                 |                 |                  |                  |                |
| 205       | $\frac{15}{16}$  | P3Y215N *Δ  | $1\frac{7}{16}$             | 4                             | $5\frac{3}{8}$  | $1\frac{3}{4}$   | $1\frac{5}{8}$ | $\frac{3}{8}$ | $\frac{9}{16}$  | $2\frac{7}{8}$   | $1\frac{1}{2}$  | $\frac{11}{16}$ | $1\frac{1}{16}$  | $1\frac{9}{32}$  | 2.00           |
|           | 1                | P3Y216N *Δ  |                             |                               |                 |                  |                |               |                 |                  |                 |                 |                  |                  |                |
|           | $\frac{1}{8}$    | P3Y218N *■  |                             |                               |                 |                  |                |               |                 |                  |                 |                 |                  |                  |                |
| 206       | $1\frac{3}{16}$  | P3Y219N *■  | $1\frac{11}{16}$            | $4\frac{5}{8}$                | $6\frac{5}{16}$ | $1\frac{29}{32}$ | $1\frac{3}{4}$ | $\frac{1}{2}$ | $\frac{11}{16}$ | $3\frac{5}{16}$  | $1\frac{3}{4}$  | $\frac{15}{16}$ | $1\frac{3}{16}$  | $1\frac{29}{64}$ | 2.80           |
|           | $1\frac{1}{4}$   | P3Y2E20N *■ |                             |                               |                 |                  |                |               |                 |                  |                 |                 |                  |                  |                |
|           | $1\frac{1}{4}$   | P3Y220N *Δ  |                             |                               |                 |                  |                |               |                 |                  |                 |                 |                  |                  |                |
| 207       | $1\frac{3}{8}$   | P3Y222N *Δ  | $1\frac{7}{8}$              | $4\frac{15}{16}$              | $6\frac{3}{8}$  | $2\frac{1}{64}$  | $1\frac{7}{8}$ | $\frac{1}{2}$ | $\frac{13}{16}$ | $3\frac{11}{16}$ | $2\frac{3}{16}$ | $\frac{13}{16}$ | $1\frac{9}{32}$  | $1\frac{35}{64}$ | 4.00           |
|           | $1\frac{7}{16}$  | P3Y223N *Δ  |                             |                               |                 |                  |                |               |                 |                  |                 |                 |                  |                  |                |
|           | $1\frac{1}{2}$   | P3Y224N *Δ  |                             |                               |                 |                  |                |               |                 |                  |                 |                 |                  |                  |                |
| 208       | $1\frac{1}{2}$   | P3Y224N *Δ  | 2                           | $5\frac{3}{8}$                | $7\frac{1}{16}$ | $2\frac{7}{32}$  | $1\frac{7}{8}$ | $\frac{1}{2}$ | $\frac{13}{16}$ | 4                | $2\frac{3}{8}$  | $\frac{15}{16}$ | $1\frac{3}{8}$   | $1\frac{41}{64}$ | 5.00           |
|           | $1\frac{5}{8}$   | P3Y226N *Δ  |                             |                               |                 |                  |                |               |                 |                  |                 |                 |                  |                  |                |
|           | $1\frac{11}{16}$ | P3Y227N *Δ  |                             |                               |                 |                  |                |               |                 |                  |                 |                 |                  |                  |                |
| 209       | $1\frac{3}{4}$   | P3Y228N *Δ  | $2\frac{1}{8}$              | $5\frac{5}{8}$                | $7\frac{1}{4}$  | $2\frac{7}{32}$  | 2              | $\frac{1}{2}$ | $\frac{13}{16}$ | $4\frac{5}{16}$  | $2\frac{1}{2}$  | $\frac{7}{8}$   | $1\frac{3}{8}$   | $1\frac{21}{32}$ | 5.70           |
|           | $1\frac{15}{16}$ | P3Y231N *Δ  |                             |                               |                 |                  |                |               |                 |                  |                 |                 |                  |                  |                |
|           | 2                | P3Y2E32N *Δ |                             |                               |                 |                  |                |               |                 |                  |                 |                 |                  |                  |                |
| 210       | 2                | P3Y232N *Δ  | $2\frac{1}{4}$              | $6\frac{3}{16}$               | $7\frac{7}{8}$  | $2\frac{15}{32}$ | $2\frac{1}{8}$ | $\frac{5}{8}$ | $\frac{7}{8}$   | $4\frac{1}{2}$   | $2\frac{3}{4}$  | $\frac{15}{16}$ | $1\frac{1}{2}$   | $1\frac{25}{32}$ | 6.40           |
|           | $2\frac{3}{16}$  | P3Y235N *Δ  |                             |                               |                 |                  |                |               |                 |                  |                 |                 |                  |                  |                |
|           | $2\frac{1}{4}$   | P3Y236N *Δ  |                             |                               |                 |                  |                |               |                 |                  |                 |                 |                  |                  |                |
| 211       | $2\frac{3}{8}$   | P3Y238N *Δ  | $2\frac{1}{2}$              | $6\frac{3}{4}$                | $9\frac{1}{16}$ | $2\frac{13}{16}$ | $2\frac{3}{8}$ | $\frac{5}{8}$ | 1               | 5                | 3               | $1\frac{5}{16}$ | $1\frac{23}{32}$ | $2\frac{1}{64}$  | 8.40           |
|           | $2\frac{7}{16}$  | P3Y239N *Δ  |                             |                               |                 |                  |                |               |                 |                  |                 |                 |                  |                  |                |
|           | $2\frac{1}{2}$   | P3Y239N *Δ  |                             |                               |                 |                  |                |               |                 |                  |                 |                 |                  |                  |                |

## Additional Notes

- Please call 1-866-REXNORD for availability
- Lubrication fitting tap size: for size code 203, 1/4 in-28 UNF; for all other size codes, 1/8 in PT
- Base to centerline tolerance, +.000 in/-0.010 in (**+0.00 mm/-0.25 mm**)
- \* N lip seals standard
- Available with H labyrinth seals
- Δ Available with E3 triple lip seals

Nickel plated housings available, add suffix K75  
 For the Selection Guide, Load Ratings and Speed Limits, see the Link-Belt 200 Series Ball Bearing Engineering section  
 Note: Dimensions subject to change. Certified dimensions of ordered material furnished on request.

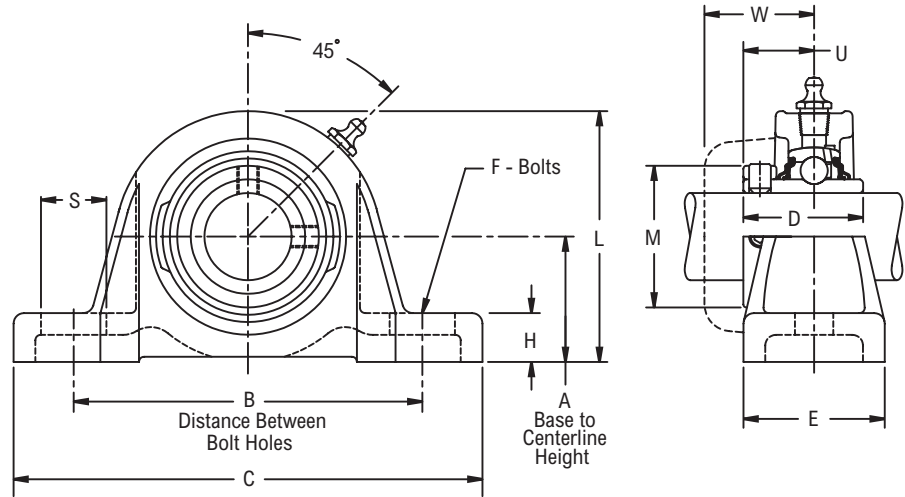
# P3U200



Photo Shows a 2-Bolt Ball Bearing Pillow Block Unit

## Product Features

- Corrosion-resistant powder coating
- Cast iron housing
- Broad range of sealing options
- Wide inner ring for increased shaft stability
- Spring locking setscrew mount
- Alignable & relubricatable
- See Features & Benefits for additional info.



## Bearing Dimensions

| Size Code | Shaft Diameter | Part Number  | A<br>Base to<br>Centerline<br>Height | B<br>Distance<br>Between<br>Bolt Holes | C      | D       | E     | F     | H     | L       | M | S      | U       | W       | Approx.<br>Weight |
|-----------|----------------|--------------|--------------------------------------|--|--------|---------|-------|-------|-------|---------|---|--------|---------|---------|-------------------|
| 203       | 1/2            | P3U2B08N *■  | 1 3/16                               | 3 1/2                                  | 4 5/8  | 1 3/32  | 1 1/2 | 3/8   | 1/2   | 2 11/32 | - | 3/4    | 41/64   | 1 13/64 | 1.00              |
|           | 5/8            | P3U210N *■   |                                      |  |        |         |       |       |       |         |   |        |         |         |                   |
|           | 11/16          | P3U211N *■   |                                      |  |        |         |       |       |       |         |   |        |         |         |                   |
|           | 17.00          | P3U2M17N *■  | 30.16                                | 88.90                                  | 117.50 | 27.78   | 38.10 | 10.00 | 12.70 | 59.50   | - | 19.00  | 16.30   | 30.60   | 0.45              |
| 204       | 3/4            | P3U212N *■   | 1 5/16                               | 3 7/8                                  | 5 1/8  | 1 9/32  | 1 1/2 | 3/8   | 1/2   | 2 19/32 | - | 11/16  | 3/4     | 1 19/64 | 1.70              |
|           | 20.00          | P3U2M20N *■  |                                      |  |        |         |       |       |       |         |   |        |         |         |                   |
| 205       | 7/8            | P3U214N Δ*■  | 1 7/16                               | 4                                      | 5 3/8  | 1 23/64 | 1 5/8 | 3/8   | 9/16  | 2 7/8   | - | 11/16  | 51/64   | 1 9/32  | 1.90              |
|           | 15/16          | P3U215N Δ*■  |                                      |  |        |         |       |       |       |         |   |        |         |         |                   |
|           | 1              | P3U216N Δ*■  |                                      |  |        |         |       |       |       |         |   |        |         |         |                   |
|           | 25.00          | P3U2M25N Δ*■ |                                      |  |        |         |       |       |       |         |   |        |         |         |                   |
| 206       | 1 1/8          | P3U218N *■   | 1 11/16                              | 4 5/8                                  | 6 5/16 | 1 9/16  | 1 3/4 | 1/2   | 11/16 | 3 5/16  | - | 15/16  | 61/64   | 1 29/64 | 2.70              |
|           | 1 3/16         | P3U219N *■   |                                      |  |        |         |       |       |       |         |   |        |         |         |                   |
|           | 1 1/4          | P3U2E20N *■  |                                      |  |        |         |       |       |       |         |   |        |         |         |                   |
|           | 30.00          | P3U2M30N *■  | 42.86                                | 117.50                                 | 160.30 | 39.69   | 44.40 | 12.00 | 17.50 | 84.10   | - | 23.80  | 24.20   | 36.90   | 1.22              |
| 207       | 1 1/4          | P3U220N Δ*■  | 1 7/8                                | 4 15/16                                | 6 3/8  | 1 49/64 | 1 7/8 | 1/2   | 13/16 | 3 11/16 | - | 13/16  | 1 7/64  | 1 35/64 | 3.70              |
|           | 1 3/8          | P3U222N Δ*■  |                                      |  |        |         |       |       |       |         |   |        |         |         |                   |
|           | 1 7/16         | P3U223N Δ*■  |                                      |  |        |         |       |       |       |         |   |        |         |         |                   |
|           | 35.00          | P3U2M35N Δ*■ | 47.62                                | 125.40                                 | 161.90 | 44.85   | 47.60 | 12.00 | 20.60 | 93.70   | - | 20.60  | 28.20   | 39.30   | 1.67              |
| 208       | 1 1/2          | P3U224N Δ*■  | 2                                    | 5 3/8                                  | 7 1/16 | 1 29/32 | 1 7/8 | 1/2   | 13/16 | 4       | - | 15/16  | 1 11/64 | 1 41/64 | 4.70              |
|           | 40.00          | P3U2M40N Δ*■ |                                      |  |        |         |       |       |       |         |   |        |         |         |                   |
| 209       | 1 5/8          | P3U226N Δ*■  | 2 1/8                                | 5 5/8                                  | 7 1/4  | 2 1/32  | 2     | 1/2   | 13/16 | 4 5/16  | - | 7/8    | 1 15/64 | 1 21/32 | 5.40              |
|           | 1 11/16        | P3U227N Δ*■  |                                      |  |        |         |       |       |       |         |   |        |         |         |                   |
|           | 1 3/4          | P3U228N Δ*■  |                                      |  |        |         |       |       |       |         |   |        |         |         |                   |
|           | 45.00          | P3U2M45N Δ*■ | 53.98                                | 142.90                                 | 184.20 | 51.59   | 50.80 | 12.00 | 20.60 | 109.50  | - | 22.20  | 31.40   | 42.10   | 2.43              |
| 210       | 1 15/16        | P3U231N Δ*■  | 2 1/4                                | 6 3/16                                 | 7 7/8  | 2 3/32  | 2 1/8 | 5/8   | 7/8   | 4 1/2   | - | 15/16  | 1 17/64 | 1 25/32 | 6.10              |
|           | 2              | P3U2E32N Δ*■ |                                      |  |        |         |       |       |       |         |   |        |         |         |                   |
|           | 50.00          | P3U2M50N Δ*■ | 57.15                                | 157.20                                 | 200.00 | 53.18   | 54.00 | 16.00 | 22.20 | 114.30  | - | 23.80  | 32.10   | 45.20   | 2.75              |
| 211       | 2              | P3U232N Δ*■  | 2 1/2                                | 6 3/4                                  | 9 1/16 | 2 1/4   | 2 3/8 | 5/8   | 1     | 5       | - | 1 5/16 | 1 13/32 | 2 1/64  | 7.80              |
|           | 2 3/16         | P3U235N Δ*■  |                                      |  |        |         |       |       |       |         |   |        |         |         |                   |
|           | 55.00          | P3U2M55N Δ*■ | 63.50                                | 171.40                                 | 230.20 | 57.15   | 60.30 | 16.00 | 25.40 | 127.00  | - | 33.30  | 35.70   | 51.20   | 3.51              |
| 212       | 2 1/4          | P3U236N Δ*■  | 2 11/16                              | 7 1/2                                  | 9 1/2  | 2 1/2   | 2 1/2 | 5/8   | 1 1/8 | 5 3/8   | - | 1 1/16 | 1 9/16  | 2 7/64  | 11.40             |
|           | 2 3/8          | P3U238N Δ*■  |                                      |  |        |         |       |       |       |         |   |        |         |         |                   |
|           | 2 7/16         | P3U239N Δ*■  |                                      |  |        |         |       |       |       |         |   |        |         |         |                   |
|           | 60.00          | P3U2M60N Δ*■ | 68.26                                | 190.50                                 | 241.30 | 63.50   | 63.50 | 16.00 | 28.60 | 136.50  | - | 27.00  | 39.70   | 53.60   | 5.13              |

Continued...

Continued...

**Bearing Dimensions**

| Size Code | Shaft Diameter | Part Number | A Base to Centerline Height | B Distance Between Bolt Holes | C      | D       | E     | F     | H       | L      | M       | S      | U       | W      | Approx. Weight |
|-----------|----------------|-------------|-----------------------------|-------------------------------|--------|---------|-------|-------|---------|--------|---------|--------|---------|--------|----------------|
| 213       | 2 1/2          | P3U240NΔ*   | 3                           | 8 1/8                         | 10 1/2 | 2 11/16 | 2 7/8 | 3/4   | 1 5/16  | 6      | 4 3/16  | 1 3/16 | 1 11/16 | 2 1/16 | 15.90          |
|           | 2 11/16        | P3U243NΔ*   |                             |                               |        |         |       |       |         |        |         |        |         |        | 7.16           |
| 215       | 65.00          | P3U2M65NΔ*  | 76.20                       | 206.40                        | 266.70 | 68.26   | 73.00 | 20.00 | 33.30   | 152.40 | 106.40  | 30.20  | 42.90   | 52.40  | 7.16           |
|           | 2 3/4          | P3U244NΔ*   | 3 1/4                       | 8 7/8                         | 11 3/4 | 2 7/8   | 3 1/4 | 3/4   | 1 3/8   | 6 1/2  | 4 5/8   | 1 5/16 | 1 13/16 | 2 7/32 | 19.50          |
|           | 2 15/16        | P3U247NΔ*   |                             |                               |        |         |       |       |         |        |         |        |         |        | 8.78           |
|           | 3              | P3U2E48NΔ*  |                             |                               |        |         |       |       |         |        |         |        |         |        | 8.78           |
| 75.00     | P3U2M75NΔ*     | 82.55       |                             |                               |        |         |       |       |         |        |         |        |         |        | 225.40         |
| 217       | 3 7/16         | P3U255NΔ*   | 3 3/4                       | 10                            | 13     | 3 9/16  | 3 1/2 | 7/8   | 1 5/8   | 7 7/16 | 5 3/16  | 1 5/8  | 2 1/8   | 2 1/2  | 28.70          |
|           | 3 1/2          | P3U2E56NΔ*  |                             |                               |        |         |       |       |         |        |         |        |         |        | 12.92          |
| 220       | 85.00          | P3U2M85NΔ*  | 95.25                       | 254.00                        | 330.20 | 90.49   | 88.90 | 24.00 | 41.30   | 188.90 | 131.80  | 41.30  | 54.00   | 63.50  | 12.92          |
|           | 3 15/16        | P3U263N*    | 4 7/16                      | 11 7/8                        | 15 1/4 | 4 1/4   | 4 1/4 | 7/8   | 1 13/16 | 8 7/8  | 5 15/16 | 1 7/8  | 2 37/64 | 3 1/64 | 50.20          |
|           | 4              | P3U2E64N*   |                             |                               |        |         |       |       |         |        |         |        |         |        | 22.60          |
| 100.00    | P3U2M100N*     | 112.71      |                             |                               |        |         |       |       |         |        |         |        |         |        | 301.60         |

**Additional Notes**

Please call 1-866-REXNORD for availability  
 Lubrication fitting tap size: for size code 203, 1/4 in-28 UNF; for all other size codes, 1/8 in PT  
 Base to centerline tolerance, +.000 in/-0.010 in (+0.00 mm/-0.25 mm)  
 Size codes 203 to 212 don't have mounting collars  
 \* N lip seals standard  
 ■ Available with H labyrinth seals  
 Δ Available with E3 triple lip seals

Nickel plated housings available in all size codes  
 For the Selection Guide, Load Ratings and Speed Limits, see the Link-Belt 200 Series Ball Bearing Engineering section  
 Note: Dimensions subject to change. Certified dimensions of ordered material furnished on request.

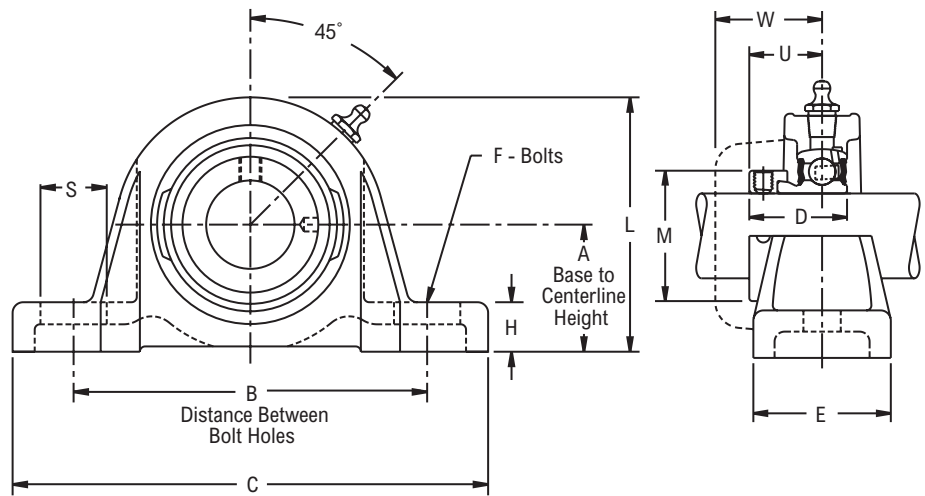
# P3W200



Photo Shows a 2-Bolt Ball Bearing Pillow Block Unit

## Product Features

- Corrosion-resistant powder coating
- Cast iron housing
- Eccentric cam locking device
- Alignable & relubricatable
- See Features & Benefits for additional info.



## Bearing Dimensions

| Size Code | Shaft Diameter | Part Number | A<br>Base to<br>Centerline<br>Height | B<br>Distance<br>Between<br>Bolt Holes | C      | D       | E     | F   | H     | L       | M      | S     | U      | W       | Approx.<br>Weight |
|-----------|----------------|-------------|--------------------------------------|--|--------|---------|-------|-----|-------|---------|--------|-------|--------|---------|-------------------|
| 203       | 1/2            | P3W2B08E ▲  | 1 3/16                               | 3 1/2                                  | 4 5/8  | 1 1/8   | 1 1/2 | 3/8 | 1/2   | 2 11/32 | 1 1/8  | 3/4   | 7/8    | 1 13/64 | 0.90              |
|           | 5/8            | P3W210E ▲   |                                      |  |        |         |       |     |       |         |        |       |        |         |                   |
| 204       | 3/4            | P3W212E ▲   | 1 5/16                               | 3 7/8                                  | 5 1/8  | 1 7/32  | 1 1/2 | 3/8 | 1/2   | 2 19/32 | 1 5/16 | 11/16 | 59/64  | 1 19/64 | 1.60              |
| 205       | 7/8            | P3W214E ▲   | 1 7/16                               | 4                                      | 5 3/8  | 1 7/32  | 1 5/8 | 3/8 | 9/16  | 2 7/8   | 1 1/2  | 11/16 | 59/64  | 1 9/32  | 1.80              |
|           | 15/16          | P3W215E ▲   |                                      |  |        |         |       |     |       |         |        |       |        |         |                   |
|           | 1              | P3W216E ▲   |                                      |  |        |         |       |     |       |         |        |       |        |         |                   |
| 206       | 1 1/8          | P3W218E ▲   | 1 11/16                              | 4 5/8                                  | 6 5/16 | 1 13/32 | 1 3/4 | 1/2 | 11/16 | 3 5/16  | 1 3/4  | 15/16 | 1 3/64 | 1 29/64 | 2.50              |
|           | 1 3/16         | P3W219E ▲   |                                      |  |        |         |       |     |       |         |        |       |        |         |                   |
|           | 1 1/4          | P3W2E20E ▲  |                                      |  |        |         |       |     |       |         |        |       |        |         |                   |
| 207       | 1 1/4          | P3W220E ▲   | 1 7/8                                | 4 15/16                                | 6 3/8  | 1 17/32 | 1 7/8 | 1/2 | 13/16 | 3 11/16 | 2 3/16 | 13/16 | 1 5/32 | 1 35/64 | 3.70              |
|           | 1 3/8          | P3W222E ▲   |                                      |  |        |         |       |     |       |         |        |       |        |         |                   |
|           | 1 7/16         | P3W223E ▲   |                                      |  |        |         |       |     |       |         |        |       |        |         |                   |
| 208       | 1 1/2          | P3W224E ▲   | 2                                    | 5 3/8                                  | 7 1/16 | 1 23/32 | 1 7/8 | 1/2 | 13/16 | 4       | 2 3/8  | 15/16 | 1 9/32 | 1 41/64 | 4.60              |
|           | 1 5/8          | P3W226E ▲   |                                      |  |        |         |       |     |       |         |        |       |        |         |                   |
| 209       | 1 5/8          | P3W226E ▲   | 2 1/8                                | 5 5/8                                  | 7 1/4  | 1 23/32 | 2     | 1/2 | 13/16 | 4 5/16  | 2 1/2  | 7/8   | 1 9/32 | 1 21/32 | 5.00              |
|           | 1 11/16        | P3W227E ▲   |                                      |  |        |         |       |     |       |         |        |       |        |         |                   |
|           | 1 3/4          | P3W228E ▲   |                                      |  |        |         |       |     |       |         |        |       |        |         |                   |
| 210       | 1 15/16        | P3W231E ▲   | 2 1/4                                | 6 3/16                                 | 7 7/8  | 1 23/32 | 2 1/8 | 5/8 | 7/8   | 4 1/2   | 2 3/4  | 15/16 | 1 9/32 | 1 25/32 | 5.50              |
|           | 2              | P3W2E32E ▲  |                                      |  |        |         |       |     |       |         |        |       |        |         |                   |

## Additional Notes

Please call 1-866-REXNORD for availability  
 Lubrication fitting tap size: for size code 203, 1/4 in-28 UNF; for all other size codes, 1/8 in PT  
 Base to centerline tolerance, +.000 in/-0.010 in (+0.00 mm/-0.25 mm)

▲ E lip seals standard

Nickel plated housings available, add suffix K75

For the Selection Guide, Load Ratings and Speed Limits, see the Link-Belt 200 Series Ball Bearing Engineering section

Note: Dimensions subject to change. Certified dimensions of ordered material furnished on request.

# P3S200

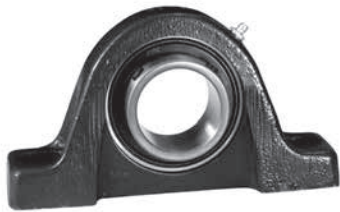
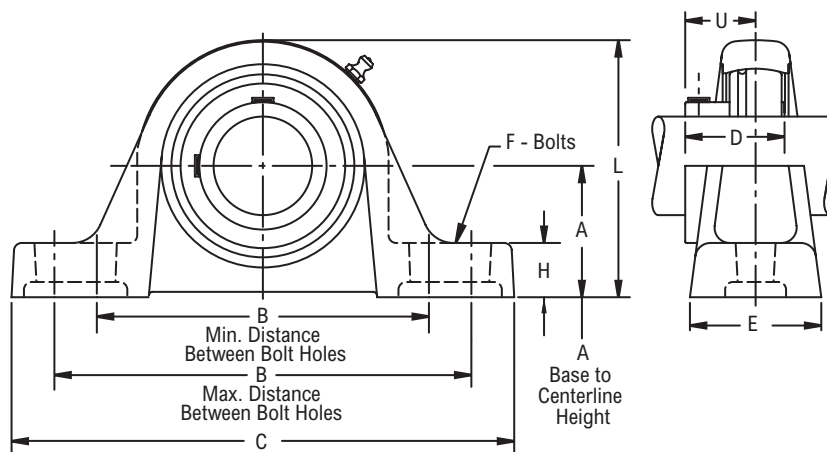


Photo Shows a 2-Bolt Ball Bearing Pillow Block Unit

## Product Features

- Corrosion-resistant powder coating
- Cast iron housing
- Broad range of sealing options
- Spring locking setscrew mount
- Alignable & relubricatable
- See Features & Benefits for additional info.



## Bearing Dimensions

| Size Code | Shaft Diameter | Part Number | A<br>Base to<br>Centerline<br>Height | B<br>Distance Between<br>Bolt Holes |         | C       | D       | E      | F     | H      | L       | U       | Approx.<br>Weight |
|-----------|----------------|-------------|--------------------------------------|-------------------------------------|---------|---------|---------|--------|-------|--------|---------|---------|-------------------|
|           |                |             |                                      | Min                                 | Max     |         |         |        |       |        |         |         |                   |
| 203       | 1/2            | P3S2B08E    | 1 3/16                               | 3 1/8                               | 4 1/8   | 5       | 63/64   | 1 5/16 | 3/8   | 1/2    | 2 9/32  | 41/64   | 1.11              |
|           | 5/8            | P3S210E     |                                      |                                     |         |         |         |        |       |        |         |         | 1.07              |
|           | 11/16          | P3S211E     |                                      |                                     |         |         |         |        |       |        |         |         | 1.05              |
| 204       | 3/4            | P3S212E     | 1 5/16                               | 3 3/8                               | 4 3/16  | 5 1/4   | 1 1/8   | 1 7/16 | 3/8   | 17/32  | 2 17/32 | 3/4     | 1.51              |
|           | 20.00          | P3S2M20E    | 33.32                                | 85.70                               | 106.40  | 133.30  | 28.58   | 36.52  | 10.00 | 13.50  | 64.30   | 19.00   | 0.70              |
| 205       | 7/8            | P3S214E     | 1 7/16                               | 3 7/16                              | 4 9/16  | 5 1/2   | 1 11/64 | 1 7/16 | 3/8   | 19/32  | 2 13/16 | 51/64   | 1.81              |
|           | 15/16          | P3S215E     |                                      |                                     |         |         |         |        |       |        |         |         | 1.78              |
|           | 1              | P3S26E      |                                      |                                     |         |         |         |        |       |        |         |         | 1.75              |
|           | 25.00          | P3S2M25E    |                                      |                                     |         |         |         |        |       |        |         |         | 36.52             |
| 206       | 1 1/8          | P3S218E     | 1 11/16                              | 4 1/8                               | 5 1/8   | 6 1/4   | 1 11/32 | 1 5/8  | 1/2   | 21/32  | 3 1/4   | 61/64   | 2.45              |
|           | 1 3/16         | P3S219E     |                                      |                                     |         |         |         |        |       |        |         |         | 2.42              |
|           | 1 1/4          | P3S2E20E    |                                      |                                     |         |         |         |        |       |        |         |         | 2.39              |
|           | 30.00          | P3S2M30E    |                                      |                                     |         |         |         |        |       |        |         |         | 42.88             |
| 207       | 1 1/4          | P3S220E     | 1 7/8                                | 4 9/16                              | 5 9/16  | 6 11/16 | 1 9/16  | 1 3/4  | 1/2   | 3/4    | 3 11/16 | 1 7/64  | 3.57              |
|           | 1 3/8          | P3S222E     |                                      |                                     |         |         |         |        |       |        |         |         | 3.47              |
|           | 1 7/16         | P3S223E     |                                      |                                     |         |         |         |        |       |        |         |         | 3.41              |
|           | 35.00          | P3S2M35E    |                                      |                                     |         |         |         |        |       |        |         |         | 47.62             |
| 208       | 1 1/2          | P3S224E     | 2 1/8                                | 5 1/32                              | 6 1/32  | 7 1/4   | 1 21/32 | 1 7/8  | 1/2   | 7/8    | 4 1/8   | 1 11/64 | 4.60              |
|           | 1 5/8          | P3S2E26E    |                                      |                                     |         |         |         |        |       |        |         |         | 4.46              |
|           | 40.00          | P3S2M40E    |                                      |                                     |         |         |         |        |       |        |         |         | 53.98             |
| 209       | 1 5/8          | P3S226E     | 2 1/8                                | 5 13/32                             | 6 17/32 | 7 3/4   | 1 49/64 | 2      | 1/2   | 29/32  | 4 1/4   | 1 15/64 | 5.28              |
|           | 1 11/16        | P3S227E     |                                      |                                     |         |         |         |        |       |        |         |         | 5.21              |
|           | 1 3/4          | P3S228E     |                                      |                                     |         |         |         |        |       |        |         |         | 5.14              |
| 210       | 1 7/8          | P3S230E     | 2 1/4                                | 5 27/32                             | 6 27/32 | 8 1/4   | 1 13/16 | 2 1/8  | 5/8   | 1      | 4 1/2   | 1 17/64 | 6.28              |
|           | 1 15/16        | P3S231E     |                                      |                                     |         |         |         |        |       |        |         |         | 6.19              |
|           | 2              | P3S2E32E    |                                      |                                     |         |         |         |        |       |        |         |         | 6.10              |
|           | 2              | P3S232E     |                                      |                                     |         |         |         |        |       |        |         |         | 7.78              |
| 211       | 2 3/16         | P3S235E     | 2 1/2                                | 6 5/16                              | 7 1/2   | 8 7/8   | 1 13/16 | 2 5/16 | 5/8   | 1      | 4 31/32 | 1 9/32  | 7.48              |
|           | 2 1/4          | P3S2E36E    |                                      |                                     |         |         |         |        |       |        |         |         | 7.38              |
|           | 2 1/4          | P3S236E     |                                      |                                     |         |         |         |        |       |        |         |         | 10.12             |
| 212       | 2 3/8          | P3S238E     | 2 3/4                                | 6 29/32                             | 8 5/32  | 9 5/8   | 1 57/64 | 2 3/8  | 5/8   | 1 1/16 | 5 15/32 | 1 5/16  | 9.88              |
|           | 2 7/16         | P3S239E     |                                      |                                     |         |         |         |        |       |        |         |         | 9.76              |
|           | 2 15/16        | P3S247E     |                                      |                                     |         |         |         |        |       |        |         |         | 16.73             |

## Additional Notes

- Please call 1-866-REXNORD for availability
- Lubrication fitting tap size: for size codes 203 thru 205, 1/4-28 UNF; for all other size codes, 1/8 in PT
- Base to centerline tolerance, +/- .005 in(+/- 0.13 mm)
- Lip seals standard
- ◆ Available with E1 viton seals for all size codes
- ◆ Nickel plated housings available, add suffix K75

Available with free running style seals, add suffix ● FF, □ HFF or Δ MHFF for all size codes  
 For the Selection Guide, Load Ratings and Speed Limits, see the Link-Belt MB Ball Bearing Engineering section  
 Note: Dimensions subject to change. Certified dimensions of ordered material furnished on request.



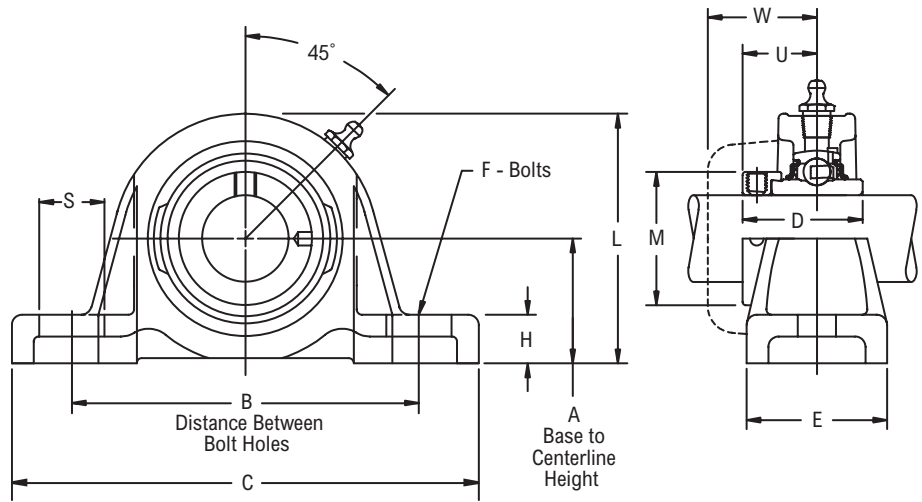
# PH3Y200



Photo Shows a 2-Bolt Ball Bearing Pillow Block Unit

## Product Features

- Corrosion-resistant powder coating
- Cast iron housing
- Broad range of sealing options
- Wide inner ring for increased shaft stability
- Eccentric cam locking device
- Alignable & relubricatable
- High base to center height
- See Features & Benefits for additional info.



## Bearing Dimensions

| Size Code | Shaft Diameter | Part Number | A<br>Base to<br>Centerline<br>Height | B<br>Distance<br>Between<br>Bolt Holes | C      | D       | E       | F   | H      | L      | M      | S     | U       | W       | Approx.<br>Weight |
|-----------|----------------|-------------|--------------------------------------|--|--------|---------|---------|-----|--------|--------|--------|-------|---------|---------|-------------------|
| 206       | 1 1/8          | PH3Y218N *■ | 2                                    | 5 1/2                                  | 7      | 1 29/32 | 1 15/16 | 1/2 | 1 1/16 | 3 5/8  | 1 3/4  | 7/8   | 1 3/16  | 1 29/64 | 3.70              |
|           | 1 3/16         | PH3Y219N *■ |                                      |  |        |         |         |     |        |        |        |       |         |         |                   |
| 207       | 1 1/4          | PH3Y220N *■ | 2 3/8                                | 6 1/4                                  | 8 1/4  | 2 1/64  | 2 1/2   | 5/8 | 3/4    | 4 1/4  | 2 3/16 | 1 1/4 | 1 9/32  | 1 35/64 | 4.70              |
|           | 1 3/8          | PH3Y222N *Δ |                                      |  |        |         |         |     |        |        |        |       |         |         |                   |
|           | 1 7/16         | PH3Y223N *Δ |                                      |  |        |         |         |     |        |        |        |       |         |         |                   |
| 209       | 1 5/8          | PH3Y226N *Δ | 2 3/8                                | 6 5/8                                  | 8 1/4  | 2 7/32  | 2 3/8   | 5/8 | 3/4    | 4 9/16 | 2 1/2  | 15/16 | 1 3/8   | 1 21/32 | 7.90              |
|           | 1 11/16        | PH3Y227N *Δ |                                      |  |        |         |         |     |        |        |        |       |         |         |                   |
| 210       | 1 3/4          | PH3Y228N *Δ | 2 3/4                                | 8 1/16                                 | 10 1/8 | 2 15/32 | 2 5/8   | 5/8 | 7/8    | 5      | 2 3/4  | 1 1/4 | 1 1/2   | 1 25/32 | 9.50              |
|           | 1 15/16        | PH3Y231N *Δ |                                      |  |        |         |         |     |        |        |        |       |         |         |                   |
| 211       | 2              | PH3Y232N *Δ | 3 1/8                                | 8 7/8                                  | 11 3/8 | 2 13/16 | 3       | 5/8 | 7/8    | 5 5/8  | 3      | 1 1/8 | 1 23/32 | 2 1/64  | 13.20             |
|           | 2 3/16         | PH3Y235N *Δ |                                      |  |        |         |         |     |        |        |        |       |         |         |                   |
| 212       | 2 1/4          | PH3Y236N *Δ | 3 1/8                                | 8 7/8                                  | 11 3/8 | 3 1/16  | 3       | 3/4 | 7/8    | 5 7/8  | 3 5/16 | 1 1/4 | 1 27/32 | 2 7/64  | 14.40             |
|           | 2 3/8          | PH3Y238N *Δ |                                      |  |        |         |         |     |        |        |        |       |         |         |                   |
|           | 2 7/16         | PH3Y239N *Δ |                                      |  |        |         |         |     |        |        |        |       |         |         |                   |

## Additional Notes

Please call 1-866-REXNORD for availability  
 Lubrication fitting tap size, 1/8 in PT  
 Base to centerline tolerance, +.000 in/-0.010 in (+0.00 mm/-0.25 mm)

\* N lip seals standard

■ Available with H labyrinth seals

Δ Available with E3 triple lip seals

For the Selection Guide, Load Ratings and Speed Limits, see the Link-Belt 200 Series Ball Bearing Engineering section

Note: Dimensions subject to change. Certified dimensions of ordered material furnished on request.

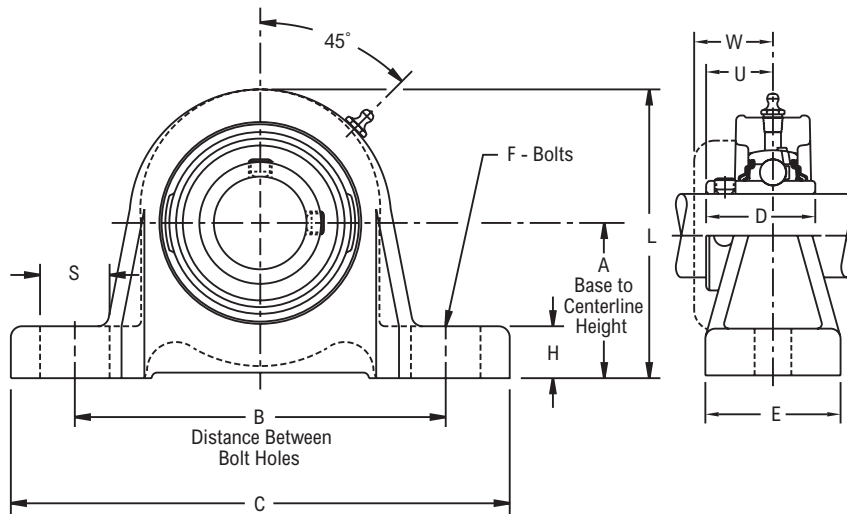
# PH3U200



Photo Shows a 2-Bolt Ball Bearing Pillow Block Unit

### Product Features

- Corrosion-resistant powder coating
- Cast iron housing
- Broad range of sealing options
- Wide inner ring for increased shaft stability
- Spring locking setscrew mount
- Alignable & relubricatable
- High base to center height
- See Features & Benefits for additional info.



### Bearing Dimensions

| Size Code | Shaft Diameter | Part Number   | A<br>Base to<br>Centerline<br>Height | B<br>Distance<br>Between<br>Bolt Holes | C      | D       | E       | F     | H     | L      | S     | U       | W       | Approx.<br>Weight |
|-----------|----------------|---------------|--------------------------------------|--|--------|---------|---------|-------|-------|--------|-------|---------|---------|-------------------|
| 206       | 1 1/8          | PH3U218N *■   | 2                                    | 5 1/2                                  | 7      | 1 9/16  | 1 15/16 | 1/2   | 11/16 | 3 5/8  | 7/8   | 61/64   | 1 29/64 | 3.80              |
|           | 1 3/16         | PH3U219N *■   |                                      |  |        |         |         |       |       |        |       |         |         |                   |
|           | 1 1/4          | PH3U220N *■   |                                      |  |        |         |         |       |       |        |       |         |         |                   |
|           | 30.00          | PH3U2M30N *■  | 50.80                                | 139.70                                 | 177.80 | 39.69   | 49.20   | 12.00 | 17.50 | 92.10  | 22.20 | 24.20   | 36.90   | 1.71              |
| 207       | 1 1/4          | PH3U220N *Δ■  | 2 3/8                                | 6 1/4                                  | 8 1/4  | 1 49/64 | 2 1/2   | 5/8   | 3/4   | 4 1/4  | 1 1/4 | 1 7/64  | 1 35/64 | 4.70              |
|           | 1 3/8          | PH3U222N *Δ■  |                                      |  |        |         |         |       |       |        |       |         |         |                   |
|           | 1 7/16         | PH3U223N *Δ■  |                                      |  |        |         |         |       |       |        |       |         |         |                   |
|           | 35.00          | PH3U2M35N *Δ■ | 60.32                                | 158.80                                 | 209.60 | 44.85   | 63.50   | 16.00 | 19.00 | 108.00 | 31.80 | 28.20   | 39.30   | 2.12              |
| 209       | 1 5/8          | PH3U226N *Δ■  | 2 3/8                                | 6 5/8                                  | 8 1/4  | 2 1/32  | 2 3/8   | 5/8   | 3/4   | 4 9/16 | 15/16 | 1 15/64 | 1 21/32 | 7.90              |
|           | 1 11/16        | PH3U227N *Δ■  |                                      |  |        |         |         |       |       |        |       |         |         |                   |
|           | 1 3/4          | PH3U228N *Δ■  |                                      |  |        |         |         |       |       |        |       |         |         |                   |
|           | 45.00          | PH3U2M45N *Δ■ | 60.32                                | 168.30                                 | 209.60 | 51.59   | 60.30   | 16.00 | 19.00 | 115.90 | 23.80 | 31.40   | 42.10   | 3.56              |
| 210       | 1 15/16        | PH3U231N *Δ■  | 2 3/4                                | 8 1/16                                 | 10 1/8 | 2 3/32  | 2 5/8   | 5/8   | 7/8   | 5      | 1 1/4 | 1 17/64 | 1 25/32 | 9.50              |
|           | 50.00          | PH3U2M50N *Δ■ |                                      |  |        |         |         |       |       |        |       |         |         |                   |
| 211       | 2              | PH3U232N *Δ■  | 3 1/8                                | 8 7/8                                  | 11 3/8 | 2 1/4   | 3       | 5/8   | 7/8   | 5 5/8  | 1 1/8 | 1 13/32 | 2 1/64  | 13.20             |
|           | 2 3/16         | PH3U235N *Δ■  |                                      |  |        |         |         |       |       |        |       |         |         |                   |
|           | 55.00          | PH3U2M55N *Δ■ |                                      |  |        |         |         |       |       |        |       |         |         |                   |
| 212       | 2 1/4          | PH3U236N *Δ■  | 3 1/8                                | 8 7/8                                  | 11 3/8 | 2 1/2   | 3       | 3/4   | 7/8   | 5 7/8  | 1 1/4 | 1 9/16  | 2 7/64  | 14.40             |
|           | 2 3/8          | PH3U238N *Δ■  |                                      |  |        |         |         |       |       |        |       |         |         |                   |
|           | 2 7/16         | PH3U239N *Δ■  |                                      |  |        |         |         |       |       |        |       |         |         |                   |
|           | 60.00          | PH3U2M60N *Δ■ |                                      |  |        |         |         |       |       |        |       |         |         |                   |

### Additional Notes

Please call 1-866-REXNORD for availability  
 Lubrication fitting tap size, 1/8 in PT  
 Base to centerline tolerance, +.000 in/- .010 in (+0.00 mm/-0.25 mm)

- \* N lip seals standard
- Available with H labyrinth seals
- Δ Available with E3 triple lip seals

For the Selection Guide, Load Ratings and Speed Limits, see the Link-Belt 200 Series Ball Bearing Engineering section

Note: Dimensions subject to change. Certified dimensions of ordered material furnished on request.

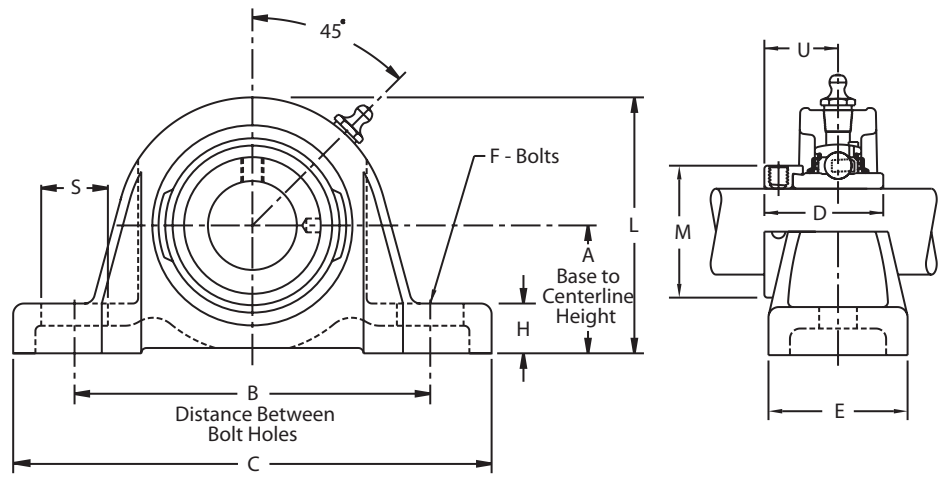
# PL3Y200



Photo Shows a 2-Bolt Ball Bearing Pillow Block Unit

## Product Features

- Corrosion-resistant powder coating
- Cast iron housing
- Broad range of sealing options
- Wide inner ring for increased shaft stability
- Eccentric cam locking device
- Alignable & relubricatable
- Low base to center height
- See Features & Benefits for additional info.



## Bearing Dimensions

| Size Code | Shaft Diameter    | Part Number  | A<br>Base to<br>Centerline<br>Height | B<br>Distance<br>Between<br>Bolt Holes | C                | D                 | E               | F             | H               | L                 | M                | S                | U                 | W                 | Approx.<br>Weight |
|-----------|-------------------|--------------|--------------------------------------|--|------------------|-------------------|-----------------|---------------|-----------------|-------------------|------------------|------------------|-------------------|-------------------|-------------------|
| 203       | $\frac{5}{8}$     | PL3Y210N *■  | $1 \frac{1}{16}$                     | $3 \frac{1}{2}$                        | $4 \frac{3}{4}$  | $1 \frac{15}{32}$ | $1 \frac{3}{8}$ | $\frac{3}{8}$ | $\frac{1}{2}$   | $2 \frac{1}{8}$   | $1 \frac{1}{8}$  | $\frac{9}{16}$   | $\frac{59}{64}$   | $1 \frac{13}{64}$ | 1.00              |
|           | $\frac{11}{16}$   | PL3Y211N *■  |                                      |  |                  |                   |                 |               |                 |                   |                  |                  |                   |                   |                   |
| 204       | $\frac{1}{2}$     | PL3Y2B08N *■ | $1 \frac{1}{4}$                      | $3 \frac{7}{8}$                        | $5 \frac{1}{8}$  | $1 \frac{23}{32}$ | $1 \frac{1}{2}$ | $\frac{3}{8}$ | $\frac{7}{16}$  | $2 \frac{17}{32}$ | $1 \frac{5}{16}$ | $\frac{11}{16}$  | $1 \frac{3}{64}$  | $1 \frac{19}{64}$ | 1.70              |
|           | $\frac{3}{4}$     | PL3Y212N *■  |                                      |  |                  |                   |                 |               |                 |                   |                  |                  |                   |                   |                   |
| 205       | $\frac{7}{8}$     | PL3Y214N *Δ  | $1 \frac{5}{16}$                     | $4 \frac{1}{8}$                        | $5 \frac{1}{2}$  | $1 \frac{3}{4}$   | $1 \frac{3}{4}$ | $\frac{3}{8}$ | $\frac{5}{8}$   | $2 \frac{11}{16}$ | $1 \frac{1}{2}$  | $\frac{9}{16}$   | $1 \frac{1}{16}$  | $1 \frac{9}{32}$  | 1.90              |
|           | $\frac{15}{16}$   | PL3Y215N *Δ  |                                      |  |                  |                   |                 |               |                 |                   |                  |                  |                   |                   |                   |
|           | 1                 | PL3Y216N *Δ  |                                      |  |                  |                   |                 |               |                 |                   |                  |                  |                   |                   |                   |
| 206       | $1 \frac{1}{8}$   | PL3Y218N *■  | $1 \frac{9}{16}$                     | $4 \frac{3}{4}$                        | $6 \frac{5}{16}$ | $1 \frac{29}{32}$ | $1 \frac{7}{8}$ | $\frac{1}{2}$ | $\frac{11}{16}$ | $3 \frac{5}{32}$  | $1 \frac{3}{4}$  | $\frac{3}{4}$    | $1 \frac{3}{16}$  | $1 \frac{29}{64}$ | 2.60              |
|           | $1 \frac{3}{16}$  | PL3Y219N *■  |                                      |  |                  |                   |                 |               |                 |                   |                  |                  |                   |                   |                   |
|           | $1 \frac{1}{4}$   | PL3Y2E20N *■ |                                      |  |                  |                   |                 |               |                 |                   |                  |                  |                   |                   |                   |
| 207       | $1 \frac{1}{4}$   | PL3Y220N *Δ  | $1 \frac{13}{16}$                    | $4 \frac{15}{16}$                      | $6 \frac{3}{8}$  | $2 \frac{1}{64}$  | $1 \frac{7}{8}$ | $\frac{1}{2}$ | $\frac{3}{4}$   | $3 \frac{5}{8}$   | $2 \frac{3}{16}$ | $\frac{13}{16}$  | $1 \frac{9}{32}$  | $1 \frac{35}{64}$ | 3.80              |
|           | $1 \frac{3}{8}$   | PL3Y222N *Δ  |                                      |  |                  |                   |                 |               |                 |                   |                  |                  |                   |                   |                   |
|           | $1 \frac{7}{16}$  | PL3Y223N *Δ  |                                      |  |                  |                   |                 |               |                 |                   |                  |                  |                   |                   |                   |
| 208       | $1 \frac{1}{2}$   | PL3Y224N *Δ  | $1 \frac{15}{16}$                    | $5 \frac{3}{8}$                        | $7 \frac{1}{16}$ | $2 \frac{7}{32}$  | $1 \frac{7}{8}$ | $\frac{1}{2}$ | $\frac{3}{4}$   | $3 \frac{15}{16}$ | $2 \frac{3}{8}$  | $\frac{15}{16}$  | $1 \frac{3}{8}$   | $1 \frac{41}{64}$ | 4.80              |
|           | $1 \frac{5}{8}$   | PL3Y226N *Δ  |                                      |  |                  |                   |                 |               |                 |                   |                  |                  |                   |                   |                   |
| 209       | $1 \frac{3}{16}$  | PL3Y219N *■  | $2 \frac{1}{16}$                     | $5 \frac{5}{8}$                        | $7 \frac{1}{4}$  | $2 \frac{7}{32}$  | 2               | $\frac{1}{2}$ | $\frac{3}{4}$   | $4 \frac{1}{4}$   | $2 \frac{1}{2}$  | $\frac{7}{8}$    | $1 \frac{3}{8}$   | $1 \frac{21}{32}$ | 5.50              |
|           | $1 \frac{11}{16}$ | PL3Y227N *Δ  |                                      |  |                  |                   |                 |               |                 |                   |                  |                  |                   |                   |                   |
|           | $1 \frac{3}{4}$   | PL3Y228N *Δ  |                                      |  |                  |                   |                 |               |                 |                   |                  |                  |                   |                   |                   |
| 210       | $1 \frac{15}{16}$ | PL3Y231N *Δ  | $2 \frac{3}{16}$                     | $6 \frac{3}{16}$                       | $7 \frac{7}{8}$  | $2 \frac{15}{32}$ | $2 \frac{1}{8}$ | $\frac{5}{8}$ | $\frac{13}{16}$ | $4 \frac{7}{16}$  | $2 \frac{3}{4}$  | $\frac{15}{16}$  | $1 \frac{1}{2}$   | $1 \frac{25}{32}$ | 6.20              |
|           | 2                 | PL3Y2E32N *Δ |                                      |  |                  |                   |                 |               |                 |                   |                  |                  |                   |                   |                   |
| 211       | 2                 | PL3Y232N *Δ  | $2 \frac{7}{16}$                     | $6 \frac{3}{4}$                        | $9 \frac{1}{16}$ | $2 \frac{13}{16}$ | $2 \frac{3}{8}$ | $\frac{5}{8}$ | $\frac{15}{16}$ | $4 \frac{15}{16}$ | 3                | $1 \frac{5}{16}$ | $1 \frac{23}{32}$ | $2 \frac{1}{64}$  | 8.00              |
|           | $\frac{23}{16}$   | PL3Y235N *Δ  |                                      |  |                  |                   |                 |               |                 |                   |                  |                  |                   |                   |                   |
| 212       | $2 \frac{1}{4}$   | PL3Y236N *■  | $2 \frac{11}{16}$                    | $7 \frac{1}{2}$                        | $9 \frac{1}{2}$  | $3 \frac{1}{16}$  | $2 \frac{1}{2}$ | $\frac{5}{8}$ | $1 \frac{1}{8}$ | $5 \frac{3}{8}$   | $3 \frac{5}{16}$ | $1 \frac{1}{16}$ | $1 \frac{27}{32}$ | $2 \frac{7}{64}$  | 11.60             |
|           | $2 \frac{3}{8}$   | PL3Y238N *Δ  |                                      |  |                  |                   |                 |               |                 |                   |                  |                  |                   |                   |                   |
|           | $2 \frac{7}{16}$  | PL3Y239N *Δ  |                                      |  |                  |                   |                 |               |                 |                   |                  |                  |                   |                   |                   |

## Additional Notes

- Please call 1-866-REXNORD for availability
- Lubrication fitting tap size: for size code 203, 1/4 in-28 UNF: for all other size codes, 1/8 in PT
- Base to centerline tolerance, +.000 in/-0.010 in (+0.00 mm/-0.25 mm)
- \* N lip seals standard
- Available with H labyrinth seals
- Δ Available with E3 triple lip seals

For the Selection Guide, Load Ratings and Speed Limits, see the Link-Belt 200 Series Ball Bearing Engineering section  
 Note: Dimensions subject to change. Certified dimensions of ordered material furnished on request.

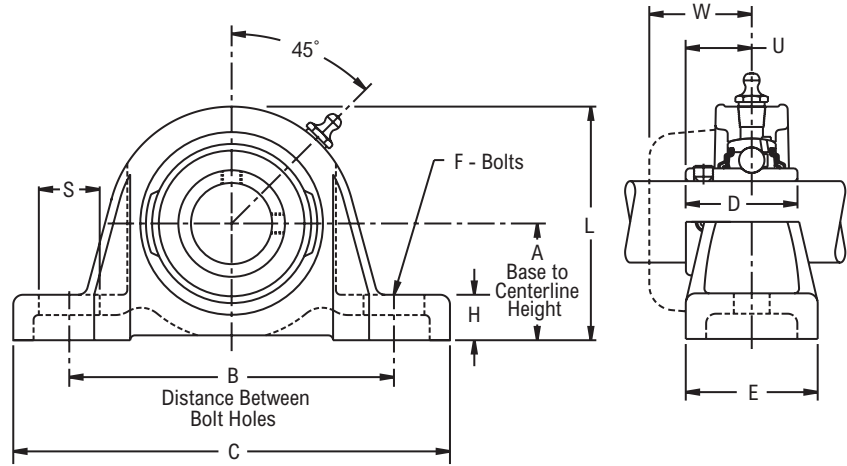
# PL3U200



Photo Shows a 2-Bolt Ball Bearing Pillow Block Unit

### Product Features

- Corrosion-resistant powder coating
- Cast iron housing
- Broad range of sealing options
- Wide inner ring for increased shaft stability
- Spring locking setscrew mount
- Alignable & relubricatable
- Low base to center height
- See Features & Benefits for additional info.



### Bearing Dimensions

| Size Code | Shaft Diameter | Part Number  | A<br>Base to<br>Centerline<br>Height | B<br>Distance<br>Between<br>Bolt Holes | C      | D       | E     | F     | H     | L       | S      | U       | W       | Approx. Weight |
|-----------|----------------|--------------|--------------------------------------|--|--------|---------|-------|-------|-------|---------|--------|---------|---------|----------------|
| 203       | 5/8            | PL3U210N *■  | 1 1/16                               | 3 1/2                                  | 4 3/4  | 1 3/32  | 1 3/8 | 3/8   | 1/2   | 2 1/8   | 9/16   | 41/64   | 1 13/64 | 0.90           |
|           | 11/16          | PL3U211N *■  |                                      |  |        |         |       |       |       |         |        |         |         |                |
|           | 1/2            | PL3U2B08N *■ |                                      |  |        |         |       |       |       |         |        |         |         |                |
|           | 17.00          | PL3U2M17N *■ | 26.99                                | 88.90                                  | 120.60 | 27.78   | 34.90 | 10.00 | 12.70 | 54.00   | 14.30  | 16.30   | 30.60   | 0.41           |
| 204       | 3/4            | PL3U212N *■  | 1 1/4                                | 3 7/8                                  | 5 1/8  | 1 9/32  | 1 1/2 | 3/8   | 7/16  | 2 17/32 | 11/16  | 3/4     | 1 19/64 | 1.60           |
|           | 20.00          | PL3U2M20N *■ |                                      |  |        |         |       |       |       |         |        |         |         |                |
| 205       | 7/8            | PL3U214N *Δ  | 1 5/16                               | 4 1/8                                  | 5 1/2  | 1 23/64 | 1 3/4 | 3/8   | 5/8   | 2 11/16 | 9/16   | 51/64   | 1 9/32  | 1.80           |
|           | 15/16          | PL3U215N *Δ  |                                      |  |        |         |       |       |       |         |        |         |         |                |
|           | 1              | PL3U216N *Δ  |                                      |  |        |         |       |       |       |         |        |         |         |                |
|           | 25.00          | PL3U2M25N *Δ |                                      |  |        |         |       |       |       |         |        |         |         |                |
| 206       | 1 1/8          | PL3U218N *■  | 1 9/16                               | 4 3/4                                  | 6 5/16 | 1 9/16  | 1 7/8 | 1/2   | 11/16 | 3 5/32  | 3/4    | 61/64   | 1 29/64 | 2.50           |
|           | 1 3/16         | PL3U219N *■  |                                      |  |        |         |       |       |       |         |        |         |         |                |
|           | 1 1/4          | PL3U2E20N *■ |                                      |  |        |         |       |       |       |         |        |         |         |                |
|           | 30.00          | PL3U2M30N *■ | 39.69                                | 120.60                                 | 160.30 | 39.69   | 47.60 | 12.00 | 17.50 | 80.20   | 19.00  | 24.20   | 36.90   | 1.13           |
| 207       | 1 1/4          | PL3U220N *Δ  | 1 13/16                              | 4 15/16                                | 6 3/8  | 1 49/64 | 1 7/8 | 1/2   | 3/4   | 3 5/8   | 13/16  | 1 7/64  | 1 35/64 | 3.50           |
|           | 1 3/8          | PL3U222N *Δ  |                                      |  |        |         |       |       |       |         |        |         |         |                |
|           | 1 7/16         | PL3U223N *Δ  |                                      |  |        |         |       |       |       |         |        |         |         |                |
|           | 35.00          | PL3U2M35N *Δ | 46.04                                | 125.40                                 | 161.90 | 44.85   | 47.60 | 12.00 | 19.00 | 92.10   | 20.60  | 28.20   | 39.30   | 1.58           |
| 208       | 1 1/2          | PL3U224N *Δ  | 1 15/16                              | 5 3/8                                  | 7 1/16 | 1 29/32 | 1 7/8 | 1/2   | 3/4   | 3 15/16 | 15/16  | 1 11/64 | 1 41/64 | 4.50           |
|           | 40.00          | PL3U2M40N *Δ |                                      |  |        |         |       |       |       |         |        |         |         |                |
| 209       | 1 5/8          | PL3U226N *Δ  | 2 1/16                               | 5 5/8                                  | 7 1/4  | 2 1/32  | 2     | 1/2   | 3/4   | 4 1/4   | 7/8    | 1 15/64 | 1 21/32 | 5.20           |
|           | 1 11/16        | PL3U227N *Δ  |                                      |  |        |         |       |       |       |         |        |         |         |                |
|           | 1 3/4          | PL3U228N *Δ  |                                      |  |        |         |       |       |       |         |        |         |         |                |
|           | 45.00          | PL3U2M45N *Δ | 52.39                                | 142.90                                 | 184.20 | 51.59   | 50.80 | 12.00 | 19.00 | 108.00  | 22.20  | 31.40   | 42.10   | 2.34           |
| 210       | 1 15/16        | PL3U231N *Δ  | 2 3/16                               | 6 3/16                                 | 7 7/8  | 2 3/32  | 2 1/8 | 5/8   | 13/16 | 4 7/16  | 15/16  | 1 17/64 | 1 25/32 | 5.90           |
|           | 2              | PL3U2E32N *Δ |                                      |  |        |         |       |       |       |         |        |         |         |                |
|           | 50.00          | PL3U2M50N *Δ | 55.56                                | 157.20                                 | 200.00 | 53.18   | 54.00 | 16.00 | 20.60 | 112.70  | 23.80  | 32.10   | 45.20   | 2.66           |
| 211       | 2              | PL3U232N *Δ  | 2 7/16                               | 6 3/4                                  | 9 1/16 | 2 1/4   | 2 3/8 | 5/8   | 15/16 | 4 15/16 | 1 5/16 | 1 13/32 | 2 1/64  | 7.40           |
|           | 2 3/16         | PL3U235N *Δ  |                                      |  |        |         |       |       |       |         |        |         |         |                |
|           | 55.00          | PL3U2M55N *Δ |                                      |  |        |         |       |       |       |         |        |         |         |                |
| 212       | 2 1/4          | PL3U236N *Δ  | 2 11/16                              | 7 1/2                                  | 9 1/2  | 2 1/2   | 2 1/2 | 5/8   | 1 1/8 | 5 3/8   | 1 1/16 | 1 9/16  | 2 7/64  | 11.00          |
|           | 2 3/8          | PL3U238N *Δ  |                                      |  |        |         |       |       |       |         |        |         |         |                |
|           | 2 7/16         | PL3U239N *Δ  |                                      |  |        |         |       |       |       |         |        |         |         |                |
|           | 60.00          | PL3U2M60N *Δ |                                      |  |        |         |       |       |       |         |        |         |         |                |

### Additional Notes

- Please call 1-866-REXNORD for availability
- Lubrication fitting tap size: for size code 203, 1/4 in-28 UNF; for all other size codes, 1/8 in PT
- Base to centerline tolerance, +.000 in/-.010 in (+0.00 mm/-0.25 mm)
- \* N lip seals standard
- Available with H labyrinth seals
- Δ Available with E3 triple lip seals
- For the Selection Guide, Load Ratings and Speed Limits, see the Link-Belt 200 Series Ball Bearing Engineering section

Note: Dimensions subject to change. Certified dimensions of ordered material furnished on request.

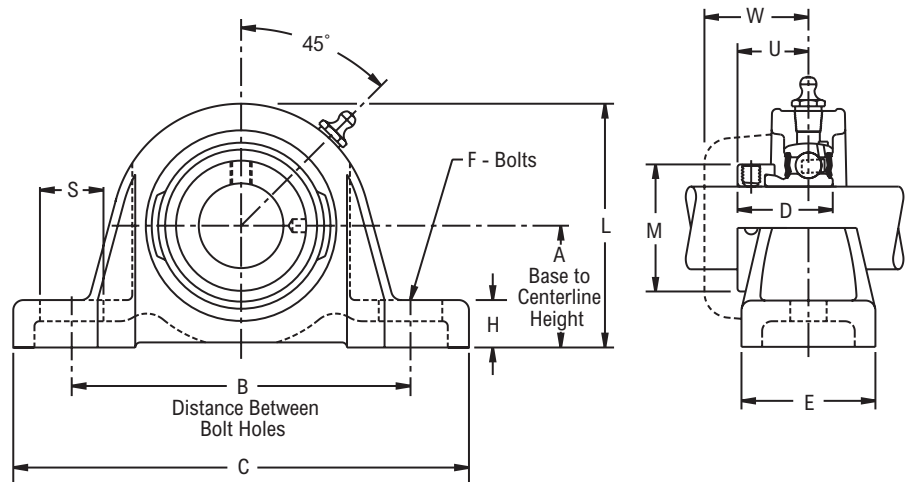
# PL3W200



Photo Shows a 2-Bolt Ball Bearing Pillow Block Unit

## Product Features

- Corrosion-resistant powder coating
- Cast iron housing
- Eccentric cam locking device
- Alignable & relubricatable
- Low base to center height
- See Features & Benefits for additional info.



## Bearing Dimensions

| Size Code | Shaft Diameter    | Part Number | A<br>Base to<br>Centerline<br>Height | B<br>Distance<br>Between<br>Bolt Holes | C                | D                 | E               | F             | H               | L                 | M                | S               | U                | W                 | Approx.<br>Weight |
|-----------|-------------------|-------------|--------------------------------------|--|------------------|-------------------|-----------------|---------------|-----------------|-------------------|------------------|-----------------|------------------|-------------------|-------------------|
| 203       | $\frac{5}{8}$     | PL3W210E ▲  | $1 \frac{1}{16}$                     | $3 \frac{1}{2}$                        | $4 \frac{3}{4}$  | $1 \frac{1}{8}$   | $1 \frac{3}{8}$ | $\frac{3}{8}$ | $\frac{1}{2}$   | $2 \frac{1}{8}$   | $1 \frac{1}{8}$  | $\frac{9}{16}$  | $\frac{7}{8}$    | $1 \frac{13}{64}$ | 0.90              |
|           | $\frac{1}{2}$     | PL3W2B08E ▲ |                                      |  |                  |                   |                 |               |                 |                   |                  |                 |                  |                   |                   |
| 204       | $\frac{3}{4}$     | PL3W212E ▲  | $1 \frac{1}{4}$                      | $3 \frac{7}{8}$                        | $5 \frac{1}{8}$  | $1 \frac{7}{32}$  | $1 \frac{1}{2}$ | $\frac{3}{8}$ | $\frac{7}{16}$  | $2 \frac{17}{32}$ | $1 \frac{5}{16}$ | $\frac{11}{16}$ | $\frac{59}{64}$  | $1 \frac{19}{64}$ | 1.60              |
|           | $\frac{7}{8}$     | PL3W214E ▲  |                                      |  |                  |                   |                 |               |                 |                   |                  |                 |                  |                   |                   |
| 205       | $\frac{15}{16}$   | PL3W215E ▲  | $1 \frac{5}{16}$                     | $4 \frac{1}{8}$                        | $5 \frac{1}{2}$  | $1 \frac{7}{32}$  | $1 \frac{3}{4}$ | $\frac{3}{8}$ | $\frac{5}{8}$   | $2 \frac{11}{16}$ | $1 \frac{1}{2}$  | $\frac{9}{16}$  | $\frac{59}{64}$  | $1 \frac{9}{32}$  | 1.80              |
|           | 1                 | PL3W216E ▲  |                                      |  |                  |                   |                 |               |                 |                   |                  |                 |                  |                   |                   |
| 206       | $1 \frac{1}{8}$   | PL3W218E ▲  | $1 \frac{9}{16}$                     | $4 \frac{3}{4}$                        | $6 \frac{5}{16}$ | $1 \frac{13}{32}$ | $1 \frac{7}{8}$ | $\frac{1}{2}$ | $\frac{11}{16}$ | $3 \frac{5}{32}$  | $1 \frac{3}{4}$  | $\frac{3}{4}$   | $1 \frac{3}{64}$ | $1 \frac{29}{64}$ | 2.50              |
|           | $1 \frac{3}{16}$  | PL3W219E ▲  |                                      |  |                  |                   |                 |               |                 |                   |                  |                 |                  |                   |                   |
|           | $1 \frac{1}{4}$   | PL3W2E20E ▲ |                                      |  |                  |                   |                 |               |                 |                   |                  |                 |                  |                   |                   |
| 207       | $1 \frac{1}{4}$   | PL3W220E ▲  | $1 \frac{13}{16}$                    | $4 \frac{15}{16}$                      | $6 \frac{3}{8}$  | $1 \frac{17}{32}$ | $1 \frac{7}{8}$ | $\frac{1}{2}$ | $\frac{3}{4}$   | $3 \frac{5}{8}$   | $2 \frac{3}{16}$ | $\frac{13}{16}$ | $1 \frac{5}{32}$ | $1 \frac{35}{64}$ | 3.70              |
|           | $1 \frac{3}{8}$   | PL3W222E ▲  |                                      |  |                  |                   |                 |               |                 |                   |                  |                 |                  |                   |                   |
|           | $1 \frac{7}{16}$  | PL3W223E ▲  |                                      |  |                  |                   |                 |               |                 |                   |                  |                 |                  |                   |                   |
| 208       | $1 \frac{1}{2}$   | PL3W224E ▲  | $1 \frac{15}{16}$                    | $5 \frac{3}{8}$                        | $7 \frac{1}{16}$ | $1 \frac{23}{32}$ | $1 \frac{7}{8}$ | $\frac{1}{2}$ | $\frac{3}{4}$   | $3 \frac{15}{16}$ | $2 \frac{3}{8}$  | $\frac{15}{16}$ | $1 \frac{9}{32}$ | $1 \frac{41}{64}$ | 4.60              |
|           | $1 \frac{5}{8}$   | PL3W226E ▲  |                                      |  |                  |                   |                 |               |                 |                   |                  |                 |                  |                   |                   |
| 209       | $1 \frac{11}{16}$ | PL3W227E ▲  | $2 \frac{1}{16}$                     | $5 \frac{5}{8}$                        | $7 \frac{1}{4}$  | $1 \frac{23}{32}$ | 2               | $\frac{1}{2}$ | $\frac{3}{4}$   | $4 \frac{1}{4}$   | $2 \frac{1}{2}$  | $\frac{7}{8}$   | $1 \frac{9}{32}$ | $1 \frac{21}{32}$ | 5.00              |
|           | $1 \frac{3}{4}$   | PL3W228E ▲  |                                      |  |                  |                   |                 |               |                 |                   |                  |                 |                  |                   |                   |
| 210       | $1 \frac{15}{16}$ | PL3W231E ▲  | $2 \frac{3}{16}$                     | $6 \frac{3}{16}$                       | $7 \frac{7}{8}$  | $1 \frac{23}{32}$ | $2 \frac{1}{8}$ | $\frac{5}{8}$ | $\frac{13}{16}$ | $4 \frac{7}{16}$  | $2 \frac{3}{4}$  | $\frac{15}{16}$ | $1 \frac{9}{32}$ | $1 \frac{25}{32}$ | 5.50              |
|           | 2                 | PL3W2E32E ▲ |                                      |  |                  |                   |                 |               |                 |                   |                  |                 |                  |                   |                   |

## Additional Notes

- Please call 1-866-REXNORD for availability
- Lubrication fitting tap size: for size code 203, 1/4 in-28 UNF: for all other size codes, 1/8 in PT
- Base to centerline tolerance, +.000 in/-0.010 in (+0.00 mm/-0.25 mm)
- ▲ E lip seals standard
- For the Selection Guide, Load Ratings and Speed Limits, see the Link-Belt 200 Series Ball Bearing Engineering section
- Note: Dimensions subject to change. Certified dimensions of ordered material furnished on request.

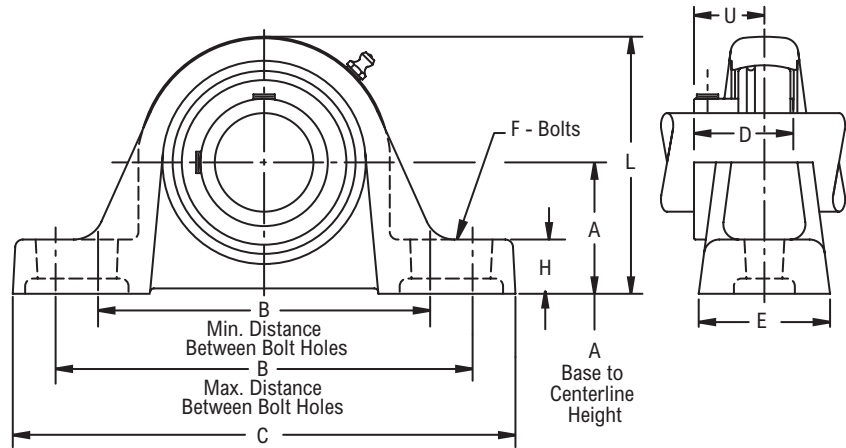
# PL3S200



Photo Shows a 2-Bolt Ball Bearing Pillow Block Unit

### Product Features

- Corrosion-resistant powder coating
- Cast iron housing
- Broad range of sealing options
- Spring locking setscrew mount
- Alignable & relubricatable
- Low base to center height
- See Features & Benefits for additional info.



### Bearing Dimensions

| Size Code | Shaft Diameter | Part Number | A<br>Base to<br>Centerline<br>Height | B<br>Distance Between<br>Bolt Holes |         | C       | D       | E      | F     | H     | L       | U       | Approx.<br>Weight |
|-----------|----------------|-------------|--------------------------------------|-------------------------------------|---------|---------|---------|--------|-------|-------|---------|---------|-------------------|
|           |                |             |                                      | Min                                 | Max     |         |         |        |       |       |         |         |                   |
| 203       | 1/2            | PL3S2B08E   | 1 1/16                               | 3 1/8                               | 4 1/8   | 5       | 63/64   | 1 5/16 | 3/8   | 3/8   | 2 5/32  | 41/64   | 1.06              |
|           | 5/8            | PL3S210E    |                                      |                                     |         |         |         |        |       |       |         |         | 1.02              |
|           | 11/16          | PL3S211E    |                                      |                                     |         |         |         |        |       |       |         |         | 1.00              |
| 204       | 3/4            | PL3S212E    | 1 1/4                                | 3 3/8                               | 4 3/16  | 5 1/4   | 1 1/8   | 1 7/16 | 3/8   | 15/32 | 2 15/32 | 3/4     | 1.44              |
|           | 20.00          | PL3S2M20E   | 31.75                                | 85.70                               | 106.40  | 133.30  | 28.58   | 36.52  | 10.00 | 11.90 | 62.70   | 19.00   | 0.60              |
| 205       | 7/8            | PL3S214E    | 1 5/16                               | 3 7/16                              | 4 9/16  | 5 1/2   | 1 11/64 | 1 7/16 | 3/8   | 15/32 | 2 11/16 | 51/64   | 1.71              |
|           | 15/16          | PL3S215E    |                                      |                                     |         |         |         |        |       |       |         |         | 1.68              |
|           | 1              | PL3S26E     |                                      |                                     |         |         |         |        |       |       |         |         | 1.67              |
|           | 25.00          | PL3S2M25E   |                                      |                                     |         |         |         |        |       |       |         |         | 33.32             |
| 206       | 1 1/8          | PL3S218E    | 1 9/16                               | 4 1/8                               | 5 1/8   | 6 1/4   | 1 11/32 | 1 5/8  | 1/2   | 17/32 | 3 1/8   | 61/64   | 2.27              |
|           | 1 3/16         | PL3S219E    |                                      |                                     |         |         |         |        |       |       |         |         | 2.24              |
|           | 1 1/4          | PL3S2E20E   |                                      |                                     |         |         |         |        |       |       |         |         | 2.21              |
|           | 30.00          | PL3S2M30E   |                                      |                                     |         |         |         |        |       |       |         |         | 39.67             |
| 207       | 1 1/4          | PL3S220E    | 1 13/16                              | 4 9/16                              | 5 9/16  | 6 11/16 | 1 9/16  | 1 3/4  | 1/2   | 11/16 | 3 5/8   | 1 7/64  | 3.47              |
|           | 1 3/8          | PL3S222E    |                                      |                                     |         |         |         |        |       |       |         |         | 3.37              |
|           | 1 7/16         | PL3S223E    |                                      |                                     |         |         |         |        |       |       |         |         | 3.31              |
|           | 35.00          | PL3S2M35E   |                                      |                                     |         |         |         |        |       |       |         |         | 46.02             |
| 208       | 1 1/2          | PL3S224E    | 1 15/16                              | 5 1/32                              | 6 1/32  | 7 1/4   | 1 21/32 | 1 7/8  | 1/2   | 11/16 | 3 15/16 | 1 11/64 | 4.54              |
|           | 1 5/8          | PL3S2E26E   |                                      |                                     |         |         |         |        |       |       |         |         | 4.40              |
|           | 40.00          | PL3S2M40E   |                                      |                                     |         |         |         |        |       |       |         |         | 49.22             |
| 209       | 1 5/8          | PL3S226E    | 2 1/16                               | 5 13/32                             | 6 17/32 | 7 3/4   | 1 49/64 | 2      | 1/2   | 27/32 | 4 3/16  | 1 15/64 | 5.22              |
|           | 1 11/16        | PL3S227E    |                                      |                                     |         |         |         |        |       |       |         |         | 5.15              |
|           | 1 3/4          | PL3S228E    |                                      |                                     |         |         |         |        |       |       |         |         | 5.08              |
| 210       | 1 7/8          | PL3S230E    | 2 3/16                               | 5 27/32                             | 6 27/32 | 8 1/4   | 1 13/16 | 2 1/8  | 5/8   | 15/16 | 4 7/16  | 1 17/64 | 6.15              |
|           | 1 15/16        | PL3S231E    |                                      |                                     |         |         |         |        |       |       |         |         | 6.06              |
|           | 2              | PL3S2E32E   |                                      |                                     |         |         |         |        |       |       |         |         | 5.97              |
|           | 2              | PL3S232E    |                                      |                                     |         |         |         |        |       |       |         |         | 7.61              |
| 211       | 2 3/16         | PL3S235E    | 2 7/16                               | 6 5/16                              | 7 1/2   | 8 7/8   | 1 13/16 | 2 5/16 | 5/8   | 15/16 | 4 29/32 | 1 9/32  | 7.31              |
|           | 2 1/4          | PL3S2E36E   |                                      |                                     |         |         |         |        |       |       |         |         | 7.21              |
|           | 2 1/4          | PL3S236E    |                                      |                                     |         |         |         |        |       |       |         |         | 10.07             |
| 212       | 2 3/8          | PL3S238E    | 2 11/16                              | 6 29/32                             | 8 5/32  | 9 5/8   | 1 57/64 | 2 3/8  | 5/8   | 1     | 5 13/32 | 1 5/16  | 9.83              |
|           | 2 7/16         | PL3S239E    |                                      |                                     |         |         |         |        |       |       |         |         | 9.71              |
|           | 2 15/16        | PL3S247E    |                                      |                                     |         |         |         |        |       |       |         |         | 16.23             |

### Additional Notes

- Please call 1-866-REXNORD for availability
- Lubrication fitting tap size: for size codes 203 thru 205, 1/4-28 UNF; for all other size codes, 1/8 in PT
- Base to centerline tolerance, +/- .005 in (+/- 0.13 mm)
- Lip seals standard
- ◆ Available with E1 viton seals for all size codes

Available with free running style seals, add suffix ● FF, □ HFF or Δ MHFF for all size codes  
 For the Selection Guide, Load Ratings and Speed Limits, see the Link-Belt Ball Bearing Engineering section

Note: Dimensions subject to change. Certified dimensions of ordered material furnished on request.

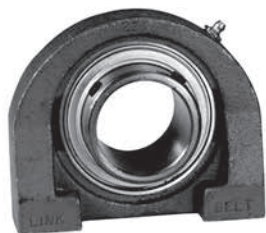
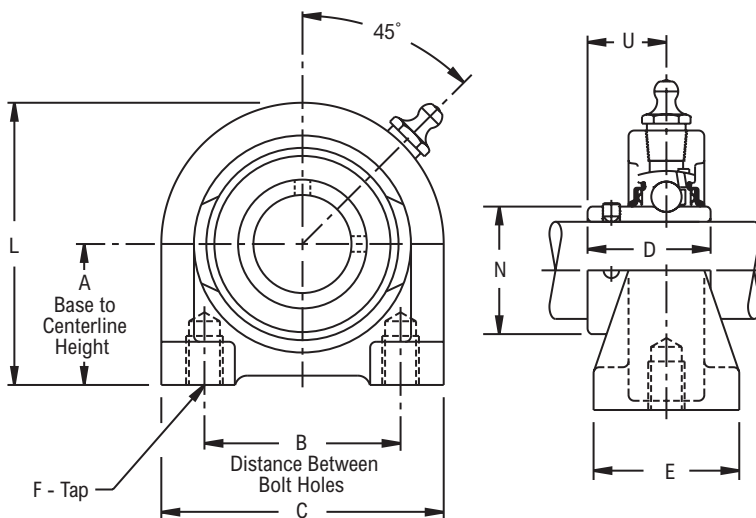
**PT3U200**


Photo Shows a 2-Bolt Ball Bearing Tapped Base Pillow Block

**Product Features**

- Corrosion-resistant powder coating
- Cast iron tapped base housing
- Broad range of sealing options
- Wide inner ring for increased shaft stability
- Spring locking setscrew mount
- Alignable & relubricatable
- See Features & Benefits for additional info.


**Bearing Dimensions**

| Size Code | Shaft Diameter   | Part Number | A<br>Base to Centerline Height | B<br>Distance Between Bolt Holes | C                | D                | E              | F<br>Depth    | F Tap   | L                | N                | U                | Approx. Weight |
|-----------|------------------|-------------|--------------------------------|----------------------------------|------------------|------------------|----------------|---------------|---------|------------------|------------------|------------------|----------------|
| 204       | $\frac{3}{4}$    | PT3U212N *■ | $1\frac{5}{16}$                | 2                                | $2\frac{7}{8}$   | $1\frac{9}{32}$  | $1\frac{1}{2}$ | $\frac{1}{2}$ | 3/8-16  | $2\frac{19}{32}$ | $1\frac{1}{8}$   | $\frac{3}{4}$    | 1.20           |
|           | $\frac{7}{8}$    | PT3U214N *Δ | $1\frac{7}{16}$                | 2                                | $2\frac{7}{8}$   | $1\frac{23}{64}$ | $1\frac{1}{2}$ | $\frac{1}{2}$ | 3/8-16  | $2\frac{7}{8}$   | $1\frac{5}{16}$  | $\frac{51}{64}$  | 1.40           |
| 205       | $\frac{15}{16}$  | PT3U215N *Δ |                                |                                  |                  |                  |                |               |         |                  |                  |                  |                |
|           | 1                | PT3U216N *Δ | $1\frac{11}{16}$               | 3                                | 4                | $1\frac{9}{16}$  | $1\frac{1}{2}$ | $\frac{5}{8}$ | 7/16-14 | $3\frac{5}{16}$  | $1\frac{19}{32}$ | $\frac{61}{64}$  | 2.50           |
| 206       | $1\frac{1}{8}$   | PT3U218N *■ |                                |                                  |                  |                  |                |               |         |                  |                  |                  |                |
|           | $1\frac{3}{16}$  | PT3U219N *■ |                                |                                  |                  |                  |                |               |         |                  |                  |                  |                |
| 207       | $1\frac{1}{4}$   | PT3U220N *Δ | $1\frac{7}{8}$                 | $3\frac{1}{4}$                   | $4\frac{13}{32}$ | $1\frac{49}{64}$ | 2              | $\frac{3}{4}$ | 1/2-13  | $3\frac{11}{16}$ | $1\frac{27}{32}$ | $1\frac{7}{64}$  | 3.40           |
|           | $1\frac{3}{8}$   | PT3U222N *Δ |                                |                                  |                  |                  |                |               |         |                  |                  |                  |                |
|           | $1\frac{7}{16}$  | PT3U223N *Δ |                                |                                  |                  |                  |                |               |         |                  |                  |                  |                |
| 209       | $1\frac{11}{16}$ | PT3U227N *Δ | $2\frac{1}{8}$                 | $3\frac{3}{4}$                   | 5                | $2\frac{1}{32}$  | 2              | $\frac{7}{8}$ | 1/2-13  | $4\frac{1}{4}$   | $2\frac{9}{32}$  | $1\frac{15}{64}$ | 4.90           |
|           | $1\frac{3}{4}$   | PT3U228N *Δ |                                |                                  |                  |                  |                |               |         |                  |                  |                  |                |
| 210       | $1\frac{15}{16}$ | PT3U231N *Δ | $2\frac{1}{4}$                 | 4                                | $5\frac{7}{16}$  | $2\frac{3}{32}$  | 2              | $\frac{7}{8}$ | 5/8-11  | $4\frac{1}{2}$   | $2\frac{15}{32}$ | $1\frac{17}{64}$ | 5.60           |
|           | 2                | PT3U232N *Δ |                                |                                  |                  |                  |                |               |         |                  |                  |                  |                |

**Additional Notes**

Please call 1-866-REXNORD for availability  
 Lubrication fitting tap size, 1/8 in PT  
 Base to centerline tolerance, +.000 in/-0.010 in (**+0.00 mm/-0.25 mm**)

\* N lip seals standard

■ Available with H labyrinth seals

Δ Available with E3 triple lip seals

For the Selection Guide, Load Ratings and Speed Limits, see the Link-Belt 200 Series Ball Bearing Engineering section

Note: Dimensions subject to change. Certified dimensions of ordered material furnished on request.

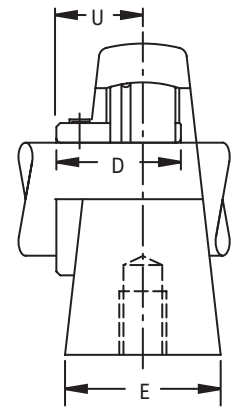
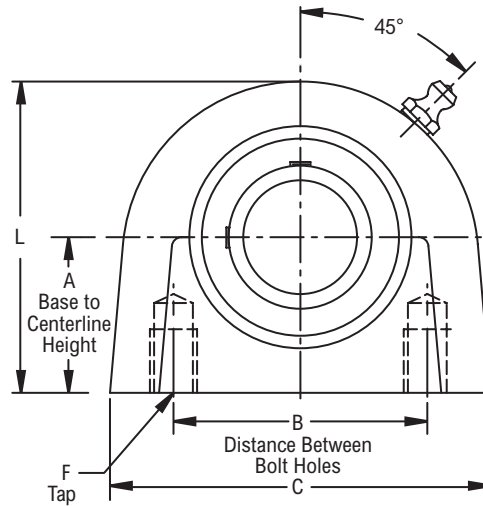
## PT3S200



Photo Shows a 2-Bolt Ball Bearing Tapped Base Pillow Block

## Product Features

- Corrosion-resistant powder coating
- Cast iron tapped base housing
- Broad range of sealing options
- Spring locking setscrew mount
- Alignable & relubricatable
- See Features & Benefits for additional info.



## Bearing Dimensions

| Size Code | Shaft Diameter | Part Number | A<br>Base to<br>Centerline<br>Height | B<br>Distance<br>Between<br>Bolt Holes | F     |         | C     | D       | E      | L       | U       | Approx.<br>Weight |       |       |         |        |         |        |         |       |      |
|-----------|----------------|-------------|--------------------------------------|--|-------|---------|-------|---------|--------|---------|---------|-------------------|-------|-------|---------|--------|---------|--------|---------|-------|------|
|           |                |             |                                      |  | Depth | Tap     |       |         |        |         |         |                   |       |       |         |        |         |        |         |       |      |
| 203       | 1/2            | PT3S2B08E   | 1 5/16                               | 2                                      | 1/2   | 3/8-16  | 2 7/8 | 63/64   | 1 5/16 | 2 13/32 | 41/64   | 1.06              |       |       |         |        |         |        |         |       |      |
|           | 5/8            | PT3S210E    |                                      |  |       |         |       |         |        |         |         | 1.02              |       |       |         |        |         |        |         |       |      |
|           | 11/16          | PT3S211E    |                                      |  |       |         |       |         |        |         |         | 1.00              |       |       |         |        |         |        |         |       |      |
| 204       | 3/4            | PT3S212E    | 1 5/16                               | 2                                      | 1/2   | 3/8-16  | 2 7/8 | 1 1/8   | 1 7/16 | 2 17/32 | 3/4     | 1.20              |       |       |         |        |         |        |         |       |      |
|           | 20.00          | PT3S2M20E   |                                      |  |       |         |       |         |        |         |         | 33.32             | 50.80 | 12.70 | 3/8-16  | 73.00  | 28.58   | 36.52  | 64.30   | 19.00 | 0.50 |
|           | 7/8            | PT3S214E    |                                      |  |       |         |       |         |        |         |         | 1 7/16            | 2     | 1/2   | 3/8-16  | 3      | 1 11/64 | 1 7/16 | 2 13/16 | 51/64 | 1.40 |
| 15/16     | PT3S215E       | 1.37        |                                      |  |       |         |       |         |        |         |         |                   |       |       |         |        |         |        |         |       |      |
| 1         | PT3S26E        | 1.34        |                                      |  |       |         |       |         |        |         |         |                   |       |       |         |        |         |        |         |       |      |
|           | 25.00          | PT3S2M25E   | 36.52                                | 50.80                                  | 12.70 | 3/8-16  | 76.20 | 29.77   | 36.52  | 71.40   | 20.20   | 0.60              |       |       |         |        |         |        |         |       |      |
| 206       | 1 1/8          | PT3S218E    | 1 11/16                              | 3                                      | 5/8   | 7/16-14 | 4     | 1 11/32 | 1 5/8  | 3 1/4   | 61/64   | 2.35              |       |       |         |        |         |        |         |       |      |
|           | 1 3/16         | PT3S219E    |                                      |  |       |         |       |         |        |         |         | 2.32              |       |       |         |        |         |        |         |       |      |
|           | 1 1/4          | PT3S2E20E   |                                      |  |       |         |       |         |        |         |         | 2.29              |       |       |         |        |         |        |         |       |      |
|           | 30.00          | PT3S2M30E   |                                      |  |       |         |       |         |        |         |         | 42.88             | 76.20 | 15.90 | 7/16-14 | 101.60 | 34.14   | 41.28  | 82.60   | 24.20 | 1.00 |
| 207       | 1 1/4          | PT3S220E    | 1 7/8                                | 3 1/4                                  | 3/4   | 1/2-13  | 4 1/4 | 1 9/16  | 1 3/4  | 3 11/16 | 1 7/64  | 3.13              |       |       |         |        |         |        |         |       |      |
|           | 1 3/8          | PT3S222E    |                                      |  |       |         |       |         |        |         |         | 3.03              |       |       |         |        |         |        |         |       |      |
|           | 1 7/16         | PT3S223E    |                                      |  |       |         |       |         |        |         |         | 2.97              |       |       |         |        |         |        |         |       |      |
|           | 35.00          | PT3S2M35E   |                                      |  |       |         |       |         |        |         |         | 47.62             | 82.55 | 19.00 | 1/2-13  | 108.00 | 39.67   | 44.45  | 93.70   | 28.20 | 1.40 |
| 208       | 1 1/2          | PT3S224E    | 1 15/16                              | 3 1/2                                  | 3/4   | 1/2-13  | 4 5/8 | 1 21/32 | 1 7/8  | 3 15/16 | 1 11/64 | 3.67              |       |       |         |        |         |        |         |       |      |
|           | 1 5/8          | PT3S2E26E   |                                      |  |       |         |       |         |        |         |         | 3.53              |       |       |         |        |         |        |         |       |      |
|           | 40.00          | PT3S2M40E   |                                      |  |       |         |       |         |        |         |         | 49.22             | 88.90 | 19.00 | 1/2-13  | 117.50 | 42.06   | 47.62  | 100.00  | 29.80 | 1.60 |
| 209       | 1 5/8          | PT3S226E    | 2 1/8                                | 3 3/4                                  | 3/4   | 1/2-13  | 5     | 1 49/64 | 2      | 4 1/4   | 1 15/64 | 4.75              |       |       |         |        |         |        |         |       |      |
|           | 1 11/16        | PT3S227E    |                                      |  |       |         |       |         |        |         |         | 4.68              |       |       |         |        |         |        |         |       |      |
|           | 1 3/4          | PT3S228E    |                                      |  |       |         |       |         |        |         |         | 4.61              |       |       |         |        |         |        |         |       |      |
| 210       | 1 7/8          | PT3S230E    | 2 1/4                                | 4                                      | 7/8   | 5/8-11  | 5 1/2 | 1 13/16 | 2 1/8  | 4 1/2   | 1 17/64 | 5.66              |       |       |         |        |         |        |         |       |      |
|           | 1 15/16        | PT3S231E    |                                      |  |       |         |       |         |        |         |         | 5.57              |       |       |         |        |         |        |         |       |      |
|           | 2              | PT3S2E32E   |                                      |  |       |         |       |         |        |         |         | 5.48              |       |       |         |        |         |        |         |       |      |

## Additional Notes

- Please call 1-866-REXNORD for availability
- Lubrication fitting tap size: for size codes 203 thru 205, 1/4-28 UNF; for all other size codes, 1/8 in PT
- Base to centerline tolerance, +/- .005 in (+/- 0.13 mm)
- Lip seals standard
- ◆ Available with E1 viton seals
- Available with free running style seals, add suffix ● FF, □ HFF or Δ MHFF
- For the Selection Guide, Load Ratings and Speed Limits, see the Link-Belt Ball Bearing Engineering section

Note: Dimensions subject to change. Certified dimensions of ordered material furnished on request.



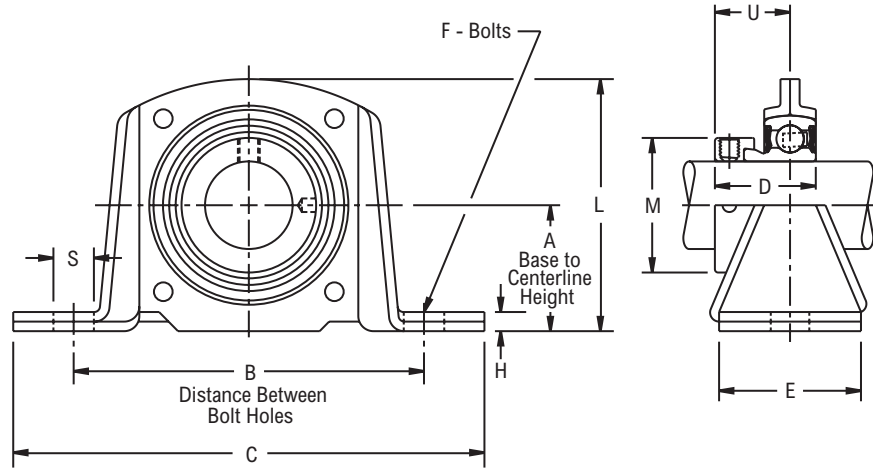
# PSY200



Photo Shows a 2-Bolt Ball Bearing Pillow Block Unit with Stamped Steel Housing

## Product Features

- Formed steel housing
- Broad range of sealing options
- Wide inner ring for increased shaft stability
- Eccentric cam locking device
- Alignable & non-relubricatable
- See Features & Benefits for additional info.



## Bearing Dimensions

| Size Code | Shaft Diameter | Part Number | Radial Load Rating | A Base to Centerline Height | B Distance Between Bolt Holes | C       | D       | E      | F   | H    | L       | M      | S     | U      | Approx. Weight |
|-----------|----------------|-------------|--------------------|-----------------------------|-------------------------------|---------|---------|--------|-----|------|---------|--------|-------|--------|----------------|
| 203       | 1/2            | PSY2B08N *■ | 600                | 1 3/16                      | 3 1/2                         | 4 5/8   | 1 15/32 | 1 1/16 | 3/8 | 7/32 | 2 11/32 | 1 1/8  | 33/64 | 59/64  | 0.90           |
|           | 5/8            | PSY210N *■  |                    |                             |                               |         |         |        |     |      |         |        |       |        |                |
|           | 11/16          | PSY211N *■  |                    |                             |                               |         |         |        |     |      |         |        |       |        |                |
| 204       | 3/4            | PSY212N *■  | 700                | 1 5/16                      | 3 7/8                         | 5 1/8   | 1 23/32 | 1 1/8  | 3/8 | 7/32 | 2 5/8   | 1 5/16 | 9/16  | 1 3/64 | 1.10           |
|           | 7/8            | PSY214N *Δ■ |                    |                             |                               |         |         |        |     |      |         |        |       |        |                |
| 205       | 15/16          | PSY215N *Δ■ | 800                | 1 7/16                      | 4 1/16                        | 5 3/8   | 1 3/4   | 1 7/32 | 3/8 | 7/32 | 2 55/64 | 1 1/2  | 1/2   | 1 1/16 | 1.30           |
|           | 1              | PSY216N *Δ■ |                    |                             |                               |         |         |        |     |      |         |        |       |        |                |
|           | 1 1/8          | PSY218N *■  |                    |                             |                               |         |         |        |     |      |         |        |       |        |                |
| 206       | 1 3/16         | PSY219N *■  | 985                | 1 11/16                     | 4 49/64                       | 6 5/16  | 1 29/32 | 1 7/16 | 1/2 | 5/16 | 3 5/16  | 1 3/4  | 49/64 | 1 3/16 | 2.00           |
|           | 1 1/4          | PSY2E20N *■ |                    |                             |                               |         |         |        |     |      |         |        |       |        |                |
|           | 1 1/4          | PSY220N *Δ■ |                    |                             |                               |         |         |        |     |      |         |        |       |        |                |
| 207       | 1 3/8          | PSY222N *Δ■ | 1,300              | 1 7/8                       | 5 5/64                        | 6 15/16 | 2 1/64  | 1 5/8  | 1/2 | 5/16 | 3 3/4   | 2 3/16 | 49/64 | 1 9/32 | 2.70           |
|           | 1 7/16         | PSY223N *Δ■ |                    |                             |                               |         |         |        |     |      |         |        |       |        |                |
|           |                |             |                    |                             |                               |         |         |        |     |      |         |        |       |        |                |

## Additional Notes

Please call 1-866-REXNORD for availability

\* N lip seals standard

■ Available with H labyrinth seals

Δ Available with E3 triple lip seals

For the Selection Guide, Load Ratings and Speed Limits, see the Link-Belt 200 Series

Ball Bearing Engineering section

Note: Dimensions subject to change. Certified dimensions of ordered material furnished on request.

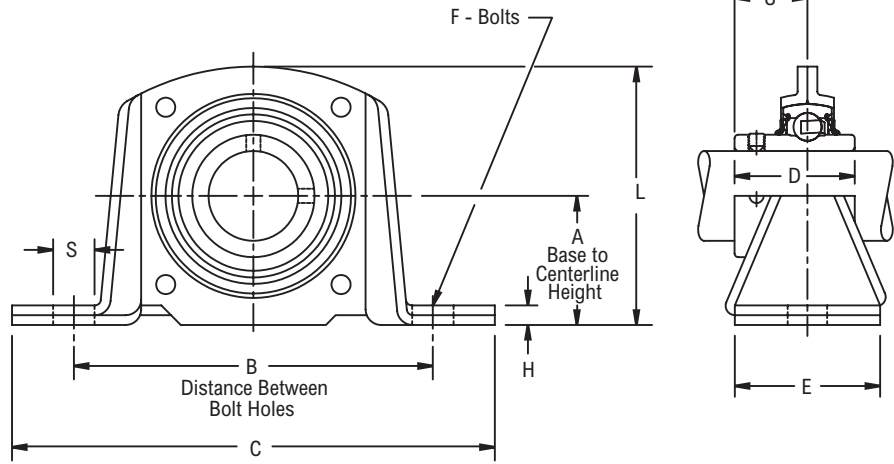
# PSU200



Photo Shows a 2-Bolt Ball Bearing Pillow Block Unit with Stamped Steel Housing

### Product Features

- Formed steel housing
- Broad range of sealing options
- Wide inner ring for increased shaft stability
- Spring locking setscrew mount
- Alignable & non-relubricatable
- See Features & Benefits for additional info.



### Bearing Dimensions

| Size Code | Shaft Diameter   | Part Number | Radial Load Rating | A Base to Centerline Height | B Distance Between Bolt Holes | C                 | D                 | E                | F             | H              | L                 | S               | U                | Approx. Weight |
|-----------|------------------|-------------|--------------------|-----------------------------|-------------------------------|-------------------|-------------------|------------------|---------------|----------------|-------------------|-----------------|------------------|----------------|
| 203       | $\frac{5}{8}$    | PSU210N *■  | 600                | $1 \frac{3}{16}$            | $3 \frac{1}{2}$               | $4 \frac{5}{8}$   | $1 \frac{3}{32}$  | $1 \frac{1}{16}$ | $\frac{3}{8}$ | $\frac{7}{32}$ | $2 \frac{11}{32}$ | $\frac{33}{64}$ | $\frac{41}{64}$  | 0.90           |
|           | $\frac{11}{16}$  | PSU211N *■  |                    |                             |                               |                   |                   |                  |               |                |                   |                 |                  |                |
|           | $\frac{1}{2}$    | PSU2B08N *■ |                    |                             |                               |                   |                   |                  |               |                |                   |                 |                  |                |
| 204       | $\frac{3}{4}$    | PSU212N *■  | 700                | $1 \frac{5}{16}$            | $3 \frac{7}{8}$               | $5 \frac{1}{8}$   | $1 \frac{9}{32}$  | $1 \frac{1}{8}$  | $\frac{3}{8}$ | $\frac{7}{32}$ | $2 \frac{5}{8}$   | $\frac{9}{16}$  | $\frac{3}{4}$    | 1.10           |
|           | $\frac{7}{8}$    | PSU214N *Δ■ |                    |                             |                               |                   |                   |                  |               |                |                   |                 |                  |                |
| 205       | $\frac{15}{16}$  | PSU215N *Δ■ | 800                | $1 \frac{7}{16}$            | $4 \frac{1}{16}$              | $5 \frac{3}{8}$   | $1 \frac{23}{64}$ | $1 \frac{7}{32}$ | $\frac{3}{8}$ | $\frac{7}{32}$ | $2 \frac{55}{64}$ | $\frac{1}{2}$   | $\frac{51}{64}$  | 1.30           |
|           | 1                | PSU216N *Δ■ |                    |                             |                               |                   |                   |                  |               |                |                   |                 |                  |                |
| 206       | $1 \frac{1}{8}$  | PSU218N *■  | 985                | $1 \frac{11}{16}$           | $4 \frac{49}{64}$             | $6 \frac{5}{16}$  | $1 \frac{9}{16}$  | $1 \frac{7}{16}$ | $\frac{1}{2}$ | $\frac{5}{16}$ | $3 \frac{5}{16}$  | $\frac{49}{64}$ | $\frac{61}{64}$  | 2.00           |
|           | $1 \frac{3}{16}$ | PSU219N *■  |                    |                             |                               |                   |                   |                  |               |                |                   |                 |                  |                |
| 207       | $1 \frac{1}{4}$  | PSU220N *Δ■ | 1,300              | $1 \frac{7}{8}$             | $5 \frac{5}{64}$              | $6 \frac{15}{16}$ | $1 \frac{49}{64}$ | $1 \frac{5}{8}$  | $\frac{1}{2}$ | $\frac{5}{16}$ | $3 \frac{3}{4}$   | $\frac{49}{64}$ | $1 \frac{7}{64}$ | 2.70           |
|           | $1 \frac{3}{8}$  | PSU222N *Δ■ |                    |                             |                               |                   |                   |                  |               |                |                   |                 |                  |                |
|           | $1 \frac{7}{16}$ | PSU223N *Δ■ |                    |                             |                               |                   |                   |                  |               |                |                   |                 |                  |                |

### Additional Notes

- Please call 1-866-REXNORD for availability
- \* N lip seals standard
- Available with H labyrinth seals
- Δ Available with E3 triple lip seals
- For the Selection Guide, Load Ratings and Speed Limits, see the Link-Belt 200 Series Ball Bearing Engineering section
- Note: Dimensions subject to change. Certified dimensions of ordered material furnished on request.

# PSW200

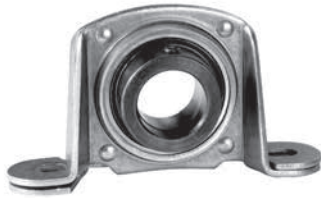
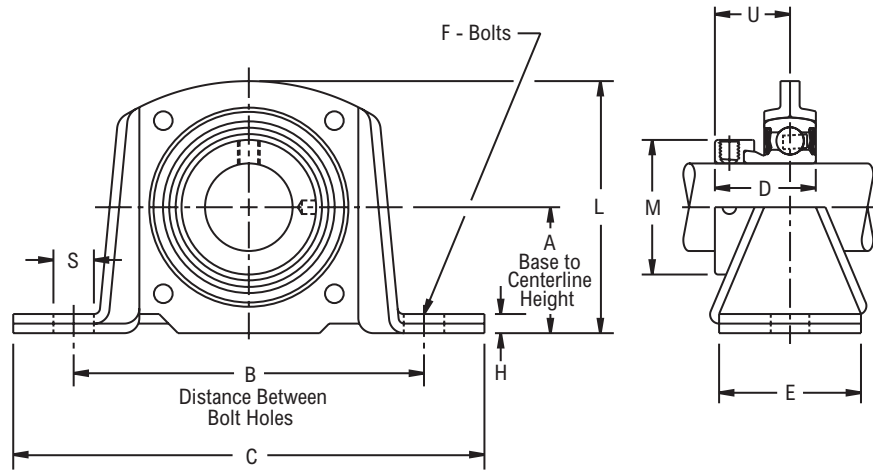


Photo Shows a 2-Bolt Ball Bearing Pillow Block Unit with Stamped Steel Housing

## Product Features

- Formed steel housing
- Eccentric cam locking device
- Alignable & non-relubricatable
- See Features & Benefits for additional info.



## Bearing Dimensions

| Size Code | Shaft Diameter  | Part Number | Radial Load Rating | A<br>Base to Centerline Height | B<br>Distance Between Bolt Holes | C                 | D                 | E                | F             | H              | L                 | M                | S               | U                | Approx. Weight |
|-----------|-----------------|-------------|--------------------|--------------------------------|----------------------------------|-------------------|-------------------|------------------|---------------|----------------|-------------------|------------------|-----------------|------------------|----------------|
| 203       | $\frac{5}{8}$   | PSW210E ▲   | 600                | $1 \frac{3}{16}$               | $3 \frac{1}{2}$                  | $4 \frac{5}{8}$   | $1 \frac{1}{8}$   | $1 \frac{1}{16}$ | $\frac{3}{8}$ | $\frac{7}{32}$ | $2 \frac{11}{32}$ | $1 \frac{1}{8}$  | $\frac{33}{64}$ | $\frac{7}{8}$    | 0.70           |
|           | $\frac{1}{2}$   | PSW2B08E ▲  |                    |                                |                                  |                   |                   |                  |               |                |                   |                  |                 |                  |                |
| 204       | $\frac{3}{4}$   | PSW212E ▲   | 700                | $1 \frac{5}{16}$               | $3 \frac{7}{8}$                  | $5 \frac{1}{8}$   | $1 \frac{7}{32}$  | $1 \frac{1}{8}$  | $\frac{3}{8}$ | $\frac{7}{32}$ | $2 \frac{5}{8}$   | $1 \frac{5}{16}$ | $\frac{9}{16}$  | $\frac{59}{64}$  | 0.90           |
|           | $\frac{7}{8}$   | PSW214E ▲   |                    |                                |                                  |                   |                   |                  |               |                |                   |                  |                 |                  |                |
| 205       | $\frac{15}{16}$ | PSW215E ▲   | 800                | $1 \frac{7}{16}$               | $4 \frac{1}{16}$                 | $5 \frac{3}{8}$   | $1 \frac{7}{32}$  | $1 \frac{7}{32}$ | $\frac{3}{8}$ | $\frac{7}{32}$ | $2 \frac{55}{64}$ | $1 \frac{1}{2}$  | $\frac{1}{2}$   | $\frac{59}{64}$  | 1.10           |
|           | 1               | PSW216E ▲   |                    |                                |                                  |                   |                   |                  |               |                |                   |                  |                 |                  |                |
|           | $1 \frac{1}{8}$ | PSW218E ▲   |                    |                                |                                  |                   |                   |                  |               |                |                   |                  |                 |                  |                |
| 206       | $\frac{1}{8}$   | PSW219E ▲   | 985                | $1 \frac{11}{16}$              | $4 \frac{49}{64}$                | $6 \frac{5}{16}$  | $1 \frac{13}{32}$ | $1 \frac{7}{16}$ | $\frac{1}{2}$ | $\frac{5}{16}$ | $3 \frac{5}{16}$  | $1 \frac{3}{4}$  | $\frac{49}{64}$ | $1 \frac{3}{64}$ | 1.70           |
|           | $\frac{1}{16}$  | PSW2E20E ▲  |                    |                                |                                  |                   |                   |                  |               |                |                   |                  |                 |                  |                |
|           | $\frac{1}{4}$   | PSW220E ▲   |                    |                                |                                  |                   |                   |                  |               |                |                   |                  |                 |                  |                |
| 207       | $\frac{1}{4}$   | PSW220E ▲   | 1,300              | $1 \frac{7}{8}$                | $5 \frac{5}{64}$                 | $6 \frac{15}{16}$ | $1 \frac{17}{32}$ | $1 \frac{5}{8}$  | $\frac{1}{2}$ | $\frac{5}{16}$ | $3 \frac{3}{4}$   | $2 \frac{3}{16}$ | $\frac{49}{64}$ | $1 \frac{5}{32}$ | 2.40           |
|           | $\frac{3}{8}$   | PSW222E ▲   |                    |                                |                                  |                   |                   |                  |               |                |                   |                  |                 |                  |                |
|           | $\frac{7}{16}$  | PSW223E ▲   |                    |                                |                                  |                   |                   |                  |               |                |                   |                  |                 |                  |                |

## Additional Notes

- Please call 1-866-REXNORD for availability
- ▲ E lip seals standard
- For the Selection Guide, Load Ratings and Speed Limits, see the Link-Belt 200 Series Ball Bearing Engineering section
- Note: Dimensions subject to change. Certified dimensions of ordered material furnished on request.

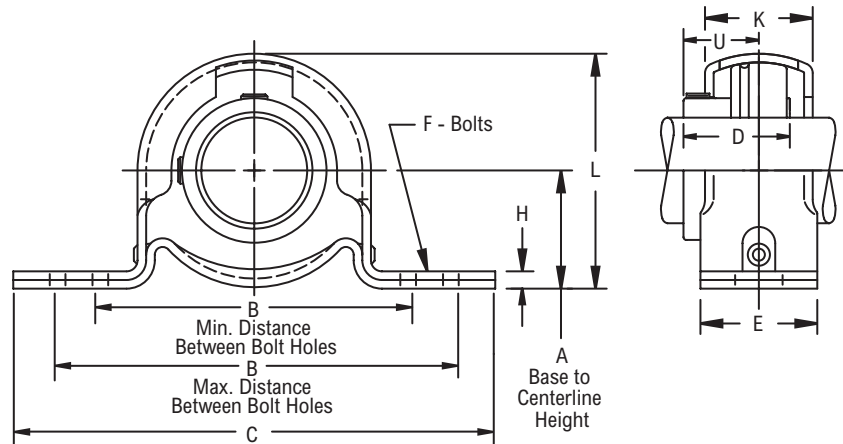
# PSS200



Photo Shows a 2-Bolt Ball Bearing Pillow Block Unit with Stamped Steel Housing

### Product Features

- Formed steel housing
- Broad range of sealing options
- Spring locking setscrew mount
- Alignable & non-relubricatable
- See Features & Benefits for additional info.



### Bearing Dimensions

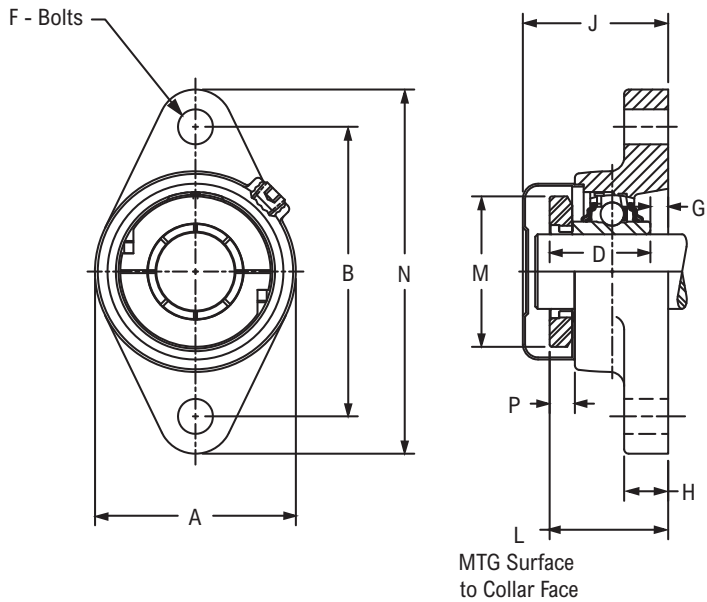
| Size Code | Shaft Diameter | Part Number | A<br>Base to<br>Centerline<br>Height | B<br>Distance Between<br>Bolt Holes |         | C      | D       | E     | F     | H     | K      | L      | U     | Radial<br>Load<br>Rating | Approx.<br>Weight |
|-----------|----------------|-------------|--------------------------------------|-------------------------------------|---------|--------|---------|-------|-------|-------|--------|--------|-------|--------------------------|-------------------|
|           |                |             |                                      | Min                                 | Max     |        |         |       |       |       |        |        |       |                          |                   |
| 203       | 1/2            | PSS2B08E    | 7/8                                  | 2 1/2                               | 2 7/8   | 3 5/8  | 63/64   | 1     | 5/16  | 3/4   | 13/16  | 1 3/4  | 41/64 | 300                      | 0.50              |
|           | 5/8            | PSS210E     |                                      |                                     |         |        |         |       |       |       |        |        |       |                          | 0.46              |
|           | 11/16          | PSS211E     |                                      |                                     |         |        |         |       |       |       |        |        |       |                          | 0.44              |
| 204       | 3/4            | PSS212E     | 1                                    | 2 7/8                               | 3 1/8   | 4 1/8  | 1 1/8   | 1     | 3/8   | 7/8   | 59/64  | 2 1/16 | 23/32 | 350                      | 0.63              |
|           | 20.00          | PSS2M20E    | 25.40                                | 73.00                               | 79.40   | 104.80 | 28.58   | 25.40 | 10.00 | 22.20 | 23.42  | 52.40  | 18.30 | 1,560                    | 0.30              |
| 205       | 7/8            | PSS214E     | 1 1/8                                | 3 3/16                              | 3 9/16  | 4 1/2  | 1 11/64 | 1 1/8 | 3/8   | 3/4   | 1 1/16 | 2 7/32 | 3/4   | 400                      | 0.81              |
|           | 15/16          | PSS215E     |                                      |                                     |         |        |         |       |       |       |        |        |       |                          | 0.78              |
|           | 1              | PSS26E      |                                      |                                     |         |        |         |       |       |       |        |        |       |                          | 0.75              |
|           | 25.00          | PSS2M25E    |                                      |                                     |         |        |         |       |       |       |        |        |       |                          | 28.58             |
| 206       | 1 1/8          | PSS218E     | 1 5/16                               | 3 9/16                              | 3 15/16 | 4 7/8  | 1 11/32 | 1 1/8 | 3/8   | 7/8   | 1 3/16 | 2 5/8  | 7/8   | 600                      | 1.19              |
|           | 1 3/16         | PSS219E     |                                      |                                     |         |        |         |       |       |       |        |        |       |                          | 1.14              |
|           | 1 1/4          | PSS2E20E    |                                      |                                     |         |        |         |       |       |       |        |        |       |                          | 1.11              |
|           | 30.00          | PSS2M30E    |                                      |                                     |         |        |         |       |       |       |        |        |       |                          | 33.32             |
| 207       | 1 1/4          | PSS220E     | 1 9/16                               | 3 15/16                             | 4 7/16  | 5 3/4  | 1 9/16  | 1 1/4 | 1/2   | 1     | 1 3/16 | 3 1/8  | 1     | 800                      | 1.65              |
|           | 1 3/8          | PSS222E     |                                      |                                     |         |        |         |       |       |       |        |        |       |                          | 1.55              |
|           | 1 7/16         | PSS223E     |                                      |                                     |         |        |         |       |       |       |        |        |       |                          | 1.50              |

### Additional Notes

- Please call 1-866-REXNORD for availability
- Lubrication fitting tap size: for size codes 203 thru 205, 1/4-28 UNF; for all other size codes, 1/8 in PT
- Base to centerline tolerance, +/- .005 in (+/- 0.13 mm)
- Lip seals standard
- ◆ Available with E1 viton seals
- Available with free running style seals, add suffix ● FF, □ HFF or Δ MHFF
- For the Selection Guide, Load Ratings and Speed Limits, see the Link-Belt Ball Bearing Engineering section

Note: Dimensions subject to change. Certified dimensions of ordered material furnished on request.

# FX3CL200



## Product Features

- Corrosion-resistant powder coating
- Cast iron housing
- Broad range of sealing options
- Wide inner ring for increased shaft stability
- Alignable & relubricatable
- See Features & Benefits for additional info.

## Bearing Dimensions

| Size Code      | Shaft Diameter                                | Part Number                                   | B Distance Between Bolt Holes | L Mounting Surface to Collar Face | A                | D                | F              | G               | H               | J                | M                | N                | P               | Approx. Weight |
|----------------|---|---|-------------------------------|-----------------------------------|------------------|------------------|----------------|-----------------|-----------------|------------------|------------------|------------------|-----------------|----------------|
| 204            | $\frac{3}{4}$                                 | FX3CL212N* <span style="color:blue">■</span>  | $3\frac{17}{32}$              | $1\frac{9}{16}$                   | $2\frac{7}{16}$  | $1\frac{11}{32}$ | $\frac{3}{8}$  | $\frac{13}{64}$ | $\frac{9}{16}$  | $2\frac{1}{16}$  | $1\frac{59}{64}$ | $4\frac{13}{32}$ | $\frac{3}{8}$   | 1.20           |
|                | 20.00   | FX3CL2M20N* <span style="color:blue">■</span> | 89.69                         | 39.90                             | 61.90            | 34.04            | 10.00          | 5.20            | 14.30           | 52.30            | 48.77            | 111.90           | 9.53            | 0.54           |
| 205            | $\frac{7}{8}$                                 | FX3CL214N* <span style="color:blue">■</span>  | $3\frac{57}{64}$              | $1\frac{17}{32}$                  | $2\frac{11}{16}$ | $1\frac{3}{8}$   | $\frac{7}{16}$ | $\frac{3}{16}$  | $\frac{19}{32}$ | $2\frac{1}{16}$  | $2\frac{5}{64}$  | $4\frac{29}{32}$ | $\frac{3}{8}$   | 1.60           |
|                | $\frac{15}{16}$                               | FX3CL215N* <span style="color:blue">■</span>  |                               |                                   |                  |                  |                |                 |                 |                  |                  |                  |                 |                |
|                | 1   | FX3CL216N* <span style="color:blue">■</span>  |                               |                                   |                  |                  |                |                 |                 |                  |                  |                  |                 |                |
| 206            | 25.00   | FX3CL2M25N* <span style="color:blue">■</span> | 98.82                         | 38.90                             | 68.30            | 34.80            | 10.00          | 4.80            | 15.10           | 52.30            | 52.83            | 124.60           | 9.53            | 0.72           |
|                | 1   | FX3CL2B16N* <span style="color:blue">■</span> | $4\frac{19}{32}$              | $1\frac{47}{64}$                  | $3\frac{3}{16}$  | $1\frac{9}{16}$  | $\frac{7}{16}$ | $\frac{11}{64}$ | $\frac{19}{32}$ | $2\frac{1}{4}$   | $2\frac{15}{32}$ | $5\frac{19}{32}$ | $\frac{27}{64}$ | 2.40           |
|                | $1\frac{1}{8}$                                | FX3CL218N* <span style="color:blue">■</span>  |                               |                                   |                  |                  |                |                 |                 |                  |                  |                  |                 |                |
|                | $1\frac{3}{16}$                               | FX3CL219N* <span style="color:blue">■</span>  |                               |                                   |                  |                  |                |                 |                 |                  |                  |                  |                 |                |
| $1\frac{1}{4}$ | FX3CL2E20N* <span style="color:blue">■</span> |   |                               |                                   |                  |                  |                |                 |                 |                  |                  |                  |                 |                |
| 207            | 30.00   | FX3CL2M30N* <span style="color:blue">■</span> | 116.68                        | 43.90                             | 81.00            | 39.62            | 10.00          | 4.40            | 15.10           | 57.20            | 62.48            | 142.10           | 10.72           | 1.08           |
|                | $1\frac{3}{16}$                               | FX3CL2B19N* <span style="color:blue">■</span> | $5\frac{1}{8}$                | $1\frac{29}{32}$                  | $3\frac{5}{8}$   | $1\frac{3}{4}$   | $\frac{1}{2}$  | $\frac{5}{32}$  | $\frac{5}{8}$   | $2\frac{25}{64}$ | $2\frac{7}{8}$   | $6\frac{1}{8}$   | $\frac{1}{2}$   | 3.00           |
|                | $1\frac{1}{4}$                                | FX3CL220N* <span style="color:blue">■</span>  |                               |                                   |                  |                  |                |                 |                 |                  |                  |                  |                 |                |
|                | $1\frac{3}{8}$                                | FX3CL222N* <span style="color:blue">■</span>  |                               |                                   |                  |                  |                |                 |                 |                  |                  |                  |                 |                |
|                | $1\frac{7}{16}$                               | FX3CL223N* <span style="color:blue">■</span>  |                               |                                   |                  |                  |                |                 |                 |                  |                  |                  |                 |                |
| 35.00          | FX3CL2M35N* <span style="color:blue">■</span> | 130.18  |                               |                                   |                  |                  |                |                 |                 |                  |                  |                  |                 |                |
| 208            | $1\frac{7}{16}$                               | FX3CL2B23N* <span style="color:blue">■</span> | $5\frac{21}{32}$              | $2\frac{1}{8}$                    | 4                | $1\frac{15}{16}$ | $\frac{1}{2}$  | $\frac{11}{64}$ | $\frac{5}{8}$   | $2\frac{37}{64}$ | $3\frac{3}{64}$  | $6\frac{25}{32}$ | $\frac{35}{64}$ | 4.20           |
|                | $1\frac{1}{2}$                                | FX3CL224N* <span style="color:blue">■</span>  |                               |                                   |                  |                  |                |                 |                 |                  |                  |                  |                 |                |
|                | $1\frac{5}{8}$                                | FX3CL2E26N* <span style="color:blue">■</span> |                               |                                   |                  |                  |                |                 |                 |                  |                  |                  |                 |                |
| 209            | 40.00   | FX3CL2M40N* <span style="color:blue">■</span> | 143.67                        | 53.90                             | 101.60           | 49.28            | 12.00          | 4.40            | 15.90           | 65.50            | 77.47            | 172.20           | 13.72           | 1.90           |
|                | $1\frac{1}{2}$                                | FX3CL2B24N* <span style="color:blue">■</span> | $5\frac{27}{32}$              | $2\frac{1}{8}$                    | $4\frac{1}{4}$   | $1\frac{61}{64}$ | $\frac{1}{2}$  | $\frac{7}{64}$  | $\frac{5}{8}$   | $2\frac{19}{32}$ | $3\frac{17}{64}$ | $7\frac{3}{32}$  | $\frac{33}{64}$ | 5.10           |
|                | $1\frac{5}{8}$                                | FX3CL226N* <span style="color:blue">■</span>  |                               |                                   |                  |                  |                |                 |                 |                  |                  |                  |                 |                |
|                | $1\frac{11}{16}$                              | FX3CL227N* <span style="color:blue">■</span>  |                               |                                   |                  |                  |                |                 |                 |                  |                  |                  |                 |                |
|                | $1\frac{3}{4}$                                | FX3CL228N* <span style="color:blue">■</span>  |                               |                                   |                  |                  |                |                 |                 |                  |                  |                  |                 |                |
| 45.00          | FX3CL2M45N* <span style="color:blue">■</span> | 148.30  |                               |                                   |                  |                  |                |                 |                 |                  |                  |                  |                 |                |
| 210            | $1\frac{11}{16}$                              | FX3CL2B27N* <span style="color:blue">■</span> | $6\frac{3}{16}$               | $2\frac{7}{16}$                   | $4\frac{9}{16}$  | $2\frac{5}{64}$  | $\frac{9}{16}$ | $\frac{19}{64}$ | $\frac{3}{4}$   | $2\frac{59}{64}$ | $3\frac{5}{8}$   | $7\frac{7}{16}$  | $\frac{39}{64}$ | 6.30           |
|                | $1\frac{3}{4}$                                | FX3CL2B28N* <span style="color:blue">■</span> |                               |                                   |                  |                  |                |                 |                 |                  |                  |                  |                 |                |
|                | $1\frac{7}{8}$                                | FX3CL230N* <span style="color:blue">■</span>  |                               |                                   |                  |                  |                |                 |                 |                  |                  |                  |                 |                |
|                | $1\frac{15}{16}$                              | FX3CL231N* <span style="color:blue">■</span>  |                               |                                   |                  |                  |                |                 |                 |                  |                  |                  |                 |                |

Continued...

Continued...

**Bearing Dimensions**

| Size Code | Shaft Diameter                  | Part Number            | A                              | B<br>Distance<br>Between<br>Bolt Holes | D                               | F                            | G                             | H                             | J                               | L<br>Mounting<br>Surface to<br>Collar Face | M                               | N                              | P                             | Approx.<br>Weight |
|-----------|---------------------------------|------------------------|--------------------------------|--|---------------------------------|------------------------------|-------------------------------|-------------------------------|---------------------------------|--|---------------------------------|--------------------------------|-------------------------------|-------------------|
| 210       | 2                               | FX3CL2E32N* $\Delta$ ■ | 4 <sup>9</sup> / <sub>16</sub> | 6 <sup>3</sup> / <sub>16</sub>         | 2 <sup>5</sup> / <sub>64</sub>  | <sup>9</sup> / <sub>16</sub> | <sup>19</sup> / <sub>64</sub> | <sup>3</sup> / <sub>4</sub>   | 2 <sup>59</sup> / <sub>64</sub> | 2 <sup>7</sup> / <sub>16</sub>             | 3 <sup>5</sup> / <sub>8</sub>   | 7 <sup>7</sup> / <sub>16</sub> | <sup>39</sup> / <sub>64</sub> | 6.30              |
|           | 50.00                           | FX3CL2M50N* $\Delta$ ■ | 115.90                         | 157.16                                 | 52.58                           | 14.00                        | 7.50                          | 19.00                         | 75.00                           | 62.00                                      | 92.20                           | 188.90                         | 15.24                         | 2.84              |
| 211       | 1 <sup>15</sup> / <sub>16</sub> | FX3CL2B31N* $\Delta$ ■ | 5                              | 7 <sup>1</sup> / <sub>4</sub>          | 2 <sup>15</sup> / <sub>64</sub> | <sup>5</sup> / <sub>8</sub>  | <sup>13</sup> / <sub>32</sub> | <sup>13</sup> / <sub>16</sub> | 3 <sup>11</sup> / <sub>64</sub> | 2 <sup>21</sup> / <sub>32</sub>            | 3 <sup>29</sup> / <sub>32</sub> | 8 <sup>1</sup> / <sub>2</sub>  | <sup>21</sup> / <sub>32</sub> | 7.40              |
|           | 2                               | FX3CL232N* $\Delta$ ■  |                                |  |                                 |                              |                               |                               |                                 |  |                                 |                                |                               |                   |
|           | 2 <sup>3</sup> / <sub>16</sub>  | FX3CL235N* $\Delta$ ■  |                                |  |                                 |                              |                               |                               |                                 |  |                                 |                                |                               |                   |
|           | 2 <sup>1</sup> / <sub>4</sub>   | FX3CL2E36N* $\Delta$ ■ |                                |  |                                 |                              |                               |                               |                                 |  |                                 |                                |                               |                   |
|           | 55.00                           | FX3CL2M55N* $\Delta$ ■ |                                |  |                                 |                              |                               |                               |                                 |  |                                 |                                |                               |                   |

**Additional Notes**

Please call 1-866-REXNORD for availability  
Lubrication fitting tap size 1/8 in PT

\* N lip seals standard

■ Available with H labyrinth seals

$\Delta$  Available with E3 triple lip seals

Nickel plated housings available, add suffix K75

For the Selection Guide, Load Ratings and Speed Limits, see the Link-Belt 200 Series Ball Bearing Engineering section

Note: Dimensions subject to change. Certified dimensions of ordered material furnished on request.

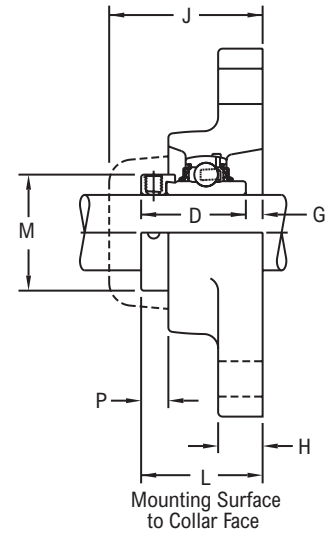
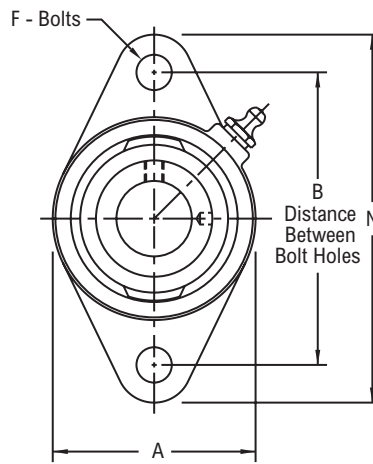
# FX3Y200



Photo Shows a 2-Bolt Ball Bearing Flanged Unit

## Product Features

- Corrosion-resistant powder coating
- Cast iron housing
- Broad range of sealing options
- Wide inner ring for increased shaft stability
- Eccentric cam locking device
- Alignable & relubricatable
- See Features & Benefits for additional info.



## Bearing Dimensions

| Size Code | Shaft Diameter | Part Number | B Distance Between Bolt Holes | L Mounting Surface to Collar Face | A       | D       | F    | G    | H     | J       | M      | N       | P     | Approx. Weight |
|-----------|----------------|-------------|-------------------------------|-----------------------------------|---------|---------|------|------|-------|---------|--------|---------|-------|----------------|
| 203       | 1/2            | FX3Y2B08N*■ | 3                             | 1 17/32                           | 2 1/8   | 1 15/32 | 3/8  | 1/16 | 1/2   | 1 25/32 | 1 1/8  | 3 7/8   | 33/64 | 1.00           |
|           | 5/8            | FX3Y210N*■  |                               |                                   |         |         |      |      |       |         |        |         |       |                |
| 204       | 11/16          | FX3Y211N*■  | 3 17/32                       | 1 51/64                           | 2 7/16  | 1 23/32 | 3/8  | 1/16 | 9/16  | 2 1/64  | 1 5/16 | 4 13/32 | 37/64 | 1.30           |
|           | 3/4            | FX3Y212N*■  |                               |                                   |         |         |      |      |       |         |        |         |       |                |
| 205       | 7/8            | FX3Y214N*Δ  | 3 57/64                       | 1 13/16                           | 2 11/16 | 1 3/4   | 7/16 | 1/16 | 19/32 | 2       | 1 1/2  | 4 29/32 | 35/64 | 1.70           |
|           | 15/16          | FX3Y215N*Δ  |                               |                                   |         |         |      |      |       |         |        |         |       |                |
|           | 1              | FX3Y216N*Δ  |                               |                                   |         |         |      |      |       |         |        |         |       |                |
| 206       | 1 1/8          | FX3Y218N*■  | 4 19/32                       | 1 31/32                           | 3 3/16  | 1 29/32 | 7/16 | 1/16 | 19/32 | 2 15/64 | 1 3/4  | 5 19/32 | 21/32 | 2.50           |
|           | 1 3/16         | FX3Y219N*■  |                               |                                   |         |         |      |      |       |         |        |         |       |                |
|           | 1 1/4          | FX3Y2E20N*■ |                               |                                   |         |         |      |      |       |         |        |         |       |                |
| 207       | 1 1/4          | FX3Y220N*Δ  | 5 1/8                         | 2 5/64                            | 3 5/8   | 2 1/64  | 1/2  | 1/16 | 5/8   | 2 23/64 | 2 3/16 | 6 1/8   | 11/16 | 3.30           |
|           | 1 3/8          | FX3Y222N*Δ  |                               |                                   |         |         |      |      |       |         |        |         |       |                |
|           | 1 7/16         | FX3Y223N*Δ  |                               |                                   |         |         |      |      |       |         |        |         |       |                |
| 208       | 1 1/2          | FX3Y224N*Δ  | 5 21/32                       | 2 9/32                            | 4       | 2 7/32  | 1/2  | 1/16 | 5/8   | 2 35/64 | 2 3/8  | 6 25/32 | 45/64 | 4.50           |
|           | 1 5/8          | FX3Y226N*Δ  |                               |                                   |         |         |      |      |       |         |        |         |       |                |
| 209       | 1 5/8          | FX3Y226N*Δ  | 5 27/32                       | 2 9/32                            | 4 1/4   | 2 7/32  | 1/2  | 1/16 | 5/8   | 2 9/16  | 2 1/2  | 7 3/32  | 11/16 | 5.40           |
|           | 1 11/16        | FX3Y227N*Δ  |                               |                                   |         |         |      |      |       |         |        |         |       |                |
|           | 1 3/4          | FX3Y228N*Δ  |                               |                                   |         |         |      |      |       |         |        |         |       |                |
| 210       | 1 15/16        | FX3Y231N*Δ  | 6 3/16                        | 2 5/8                             | 4 9/16  | 2 15/32 | 9/16 | 5/32 | 3/4   | 2 57/64 | 2 3/4  | 7 7/16  | 25/32 | 6.60           |
|           | 2              | FX3Y2E32N*■ |                               |                                   |         |         |      |      |       |         |        |         |       |                |
| 211       | 2              | FX3Y232N*Δ  | 7 1/4                         | 2 31/32                           | 5       | 2 13/16 | 5/8  | 5/32 | 13/16 | 3 1/4   | 3      | 8 1/2   | 31/32 | 8.00           |
|           | 2 3/16         | FX3Y235N*Δ  |                               |                                   |         |         |      |      |       |         |        |         |       |                |

## Additional Notes

- Please call 1-866-REXNORD for availability
- Lubrication fitting tap size: for size code 203, 1/4 in-28 UNF: for all other size codes, 1/8 in PT
- \* N lip seals standard
- Available with H labyrinth seals
- Δ Available with E3 triple lip seals
- Nickel plated housings available, add suffix K75

For the Selection Guide, Load Ratings and Speed Limits, see the Link-Belt 200 Series Ball Bearing Engineering section  
 Note: Dimensions subject to change. Certified dimensions of ordered material furnished on request.

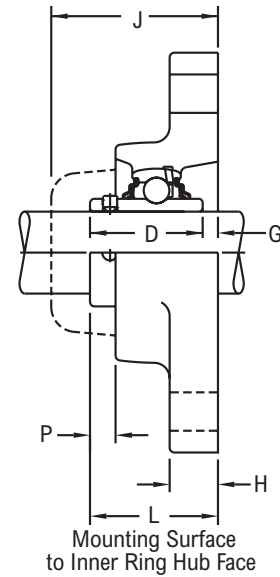
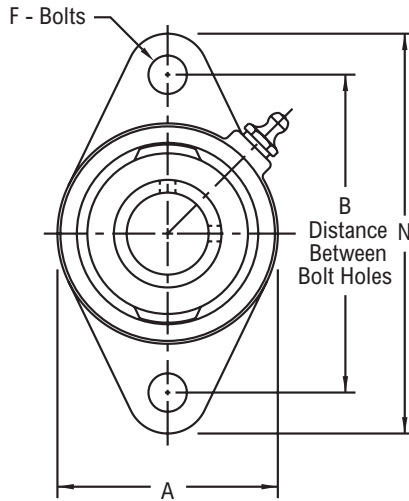
## FX3U200



Photo Shows a 2-Bolt Ball Bearing Flanged Unit

### Product Features

- Corrosion-resistant powder coating
- Cast iron housing
- Broad range of sealing options
- Wide inner ring for increased shaft stability
- Spring locking setscrew mount
- Alignable & relubricatable
- See Features & Benefits for additional info.



### Bearing Dimensions

| Size Code | Shaft Diameter | Part Number | B Distance Between Bolt Holes | L Mounting Surface to Inner Ring Hub Face | A       | D       | F     | G     | H     | J       | N       | P     | Approx. Weight |
|-----------|----------------|-------------|-------------------------------|---|---------|---------|-------|-------|-------|---------|---------|-------|----------------|
| 203       | 1/2            | FX3U2B08N*■ | 3                             | 1 1/4                                     | 2 1/8   | 1 3/32  | 3/8   | 5/32  | 1/2   | 1 25/32 | 3 7/8   | 1/4   | 0.90           |
|           | 5/8            | FX3U210N*■  |                               |   |         |         |       |       |       |         |         |       |                |
|           | 11/16          | FX3U211N*■  |                               |   |         |         |       |       |       |         |         |       |                |
|           | 17.00          | FX3U2M17N*■ | 76.20                         | 31.80                                     | 54.00   | 27.78   | 10.00 | 4.00  | 12.70 | 45.20   | 98.40   | 6.40  | 0.41           |
| 204       | 3/4            | FX3U212N*■  | 3 17/32                       | 1 31/64                                   | 2 7/16  | 1 9/32  | 3/8   | 13/64 | 9/16  | 2 1/64  | 4 13/32 | 9/32  | 1.20           |
|           | 20.00          | FX3U2M20N*■ | 89.69                         | 37.70                                     | 61.90   | 32.54   | 10.00 | 5.20  | 14.30 | 51.20   | 111.90  | 7.10  | 0.54           |
| 205       | 7/8            | FX3U214N*Δ  | 3 57/64                       | 1 35/64                                   | 2 11/16 | 1 23/64 | 7/16  | 3/16  | 19/32 | 2       | 4 29/32 | 19/64 | 1.60           |
|           | 15/16          | FX3U215N*Δ  |                               |   |         |         |       |       |       |         |         |       |                |
|           | 1              | FX3U216N*Δ  |                               |   |         |         |       |       |       |         |         |       |                |
|           | 25.00          | FX3U2M25N*Δ |                               |   |         |         |       |       |       |         |         |       |                |
| 206       | 1 1/8          | FX3U218N*■  | 4 19/32                       | 1 47/64                                   | 3 3/16  | 1 9/16  | 7/16  | 11/64 | 19/32 | 2 15/64 | 5 19/32 | 27/64 | 2.40           |
|           | 1 3/16         | FX3U219N*■  |                               |   |         |         |       |       |       |         |         |       |                |
|           | 1 1/4          | FX3U2E20N*■ |                               |   |         |         |       |       |       |         |         |       |                |
|           | 30.00          | FX3U2M30N*■ | 116.68                        | 44.00                                     | 81.00   | 39.69   | 10.00 | 4.40  | 15.10 | 56.70   | 142.10  | 10.70 | 1.08           |
| 207       | 1 1/4          | FX3U220N*Δ  | 5 1/8                         | 1 59/64                                   | 3 5/8   | 1 49/64 | 1/2   | 5/32  | 5/8   | 2 23/64 | 6 1/8   | 33/64 | 3.00           |
|           | 1 3/8          | FX3U222N*Δ  |                               |   |         |         |       |       |       |         |         |       |                |
|           | 1 7/16         | FX3U223N*Δ  |                               |   |         |         |       |       |       |         |         |       |                |
|           | 35.00          | FX3U2M35N*Δ | 130.18                        | 48.80                                     | 92.10   | 44.85   | 12.00 | 4.00  | 15.90 | 59.90   | 155.60  | 13.10 | 1.35           |
| 208       | 1 1/2          | FX3U224N*Δ  | 5 21/32                       | 2 5/64                                    | 4       | 1 29/32 | 1/2   | 11/64 | 5/8   | 2 35/64 | 6 25/32 | 1/2   | 4.20           |
|           | 40.00          | FX3U2M40N*Δ | 143.67                        | 52.80                                     | 101.60  | 48.42   | 12.00 | 4.40  | 15.90 | 64.70   | 172.20  | 12.70 | 1.90           |
| 209       | 1 5/8          | FX3U226N*Δ  | 5 27/32                       | 2 9/64                                    | 4 1/4   | 2 1/32  | 1/2   | 7/64  | 5/8   | 2 9/16  | 7 3/32  | 35/64 | 5.10           |
|           | 1 11/16        | FX3U227N*Δ  |                               |   |         |         |       |       |       |         |         |       |                |
|           | 1 3/4          | FX3U228N*Δ  |                               |   |         |         |       |       |       |         |         |       |                |
|           | 45.00          | FX3U2M45N*Δ | 148.30                        | 54.40                                     | 108.00  | 51.59   | 12.00 | 2.80  | 15.90 | 65.10   | 180.20  | 13.90 | 2.30           |
| 210       | 1 15/16        | FX3U231N*Δ  | 6 3/16                        | 2 25/64                                   | 4 9/16  | 2 3/32  | 9/16  | 19/64 | 3/4   | 2 57/64 | 7 7/16  | 9/16  | 6.30           |
|           | 2              | FX3U2E32N*Δ |                               |   |         |         |       |       |       |         |         |       |                |
|           | 50.00          | FX3U2M50N*Δ |                               |   |         |         |       |       |       |         |         |       |                |
| 211       | 2              | FX3U232N*Δ  | 7 1/4                         | 2 21/32                                   | 5       | 2 1/4   | 5/8   | 13/32 | 13/16 | 3 1/4   | 8 1/2   | 21/32 | 7.40           |
|           | 2 3/16         | FX3U235N*Δ  |                               |   |         |         |       |       |       |         |         |       |                |
|           | 55.00          | FX3U2M55N*Δ |                               |   |         |         |       |       |       |         |         |       |                |

### Additional Notes

Please call 1-866-REXNORD for availability  
 Lubrication fitting tap size: for size code 203, 1/4 in-28 UNF; for all other size codes, 1/8 in PT

\* N lip seals standard

■ Available with H labyrinth seals

Δ Available with E3 triple lip seals

Nickel plated housings available, add suffix K75

For the Selection Guide, Load Ratings and Speed Limits, see the Link-Belt 200 Series Ball Bearing Engineering section

Note: Dimensions subject to change. Certified dimensions of ordered material furnished on request.



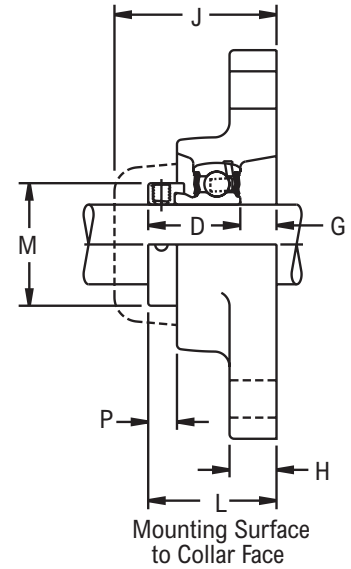
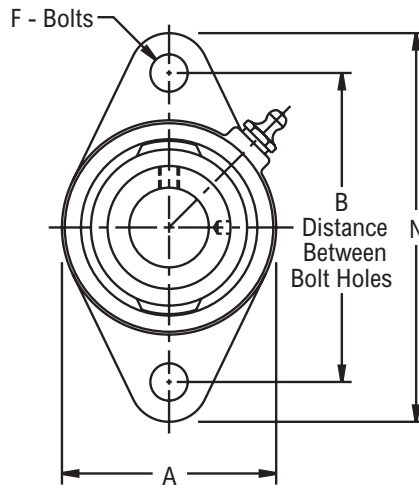
# FX3W200



Photo Shows a 2-Bolt Ball Bearing Flanged Unit

## Product Features

- Corrosion-resistant powder coating
- Cast iron housing
- Eccentric cam locking device
- Alignable & relubricatable
- See Features & Benefits for additional info.



## Bearing Dimensions

| Size Code | Shaft Diameter | Part Number | B Distance Between Bolt Holes | L Mounting Surface to Collar Face | A       | D       | F    | G     | H     | J       | M      | N       | P     | Approx. Weight |
|-----------|----------------|-------------|-------------------------------|-----------------------------------|---------|---------|------|-------|-------|---------|--------|---------|-------|----------------|
| 203       | 1/2            | FX3W2B08E▲  | 3                             | 1 31/64                           | 2 1/8   | 1 1/8   | 3/8  | 23/64 | 1/2   | 1 25/32 | 1 1/8  | 3 7/8   | 15/32 | 0.60           |
|           | 5/8            | FX3W210E▲   |                               |                                   |         |         |      |       |       |         |        |         |       |                |
| 204       | 3/4            | FX3W212E▲   | 3 17/32                       | 1 21/32                           | 2 7/16  | 1 7/32  | 3/8  | 7/16  | 9/16  | 2 1/64  | 1 5/16 | 4 13/32 | 29/64 | 1.00           |
|           | 7/8            | FX3W214E▲   |                               |                                   |         |         |      |       |       |         |        |         |       |                |
| 205       | 15/16          | FX3W215E▲   | 3 57/64                       | 1 43/64                           | 2 11/16 | 1 7/32  | 7/16 | 29/64 | 19/32 | 2       | 1 1/2  | 4 29/32 | 27/64 | 1.40           |
|           | 1              | FX3W216E▲   |                               |                                   |         |         |      |       |       |         |        |         |       |                |
|           | 1 1/8          | FX3W218E▲   |                               |                                   |         |         |      |       |       |         |        |         |       |                |
| 206       | 1 3/16         | FX3W219E▲   | 4 19/32                       | 1 53/64                           | 3 3/16  | 1 13/32 | 7/16 | 27/64 | 19/32 | 2 15/64 | 1 3/4  | 5 19/32 | 33/64 | 2.10           |
|           | 1 1/4          | FX3W220E▲   |                               |                                   |         |         |      |       |       |         |        |         |       |                |
|           | 1 1/4          | FX3W220E▲   |                               |                                   |         |         |      |       |       |         |        |         |       |                |
| 207       | 1 3/8          | FX3W222E▲   | 5 1/8                         | 1 31/32                           | 3 5/8   | 1 17/32 | 1/2  | 7/16  | 5/8   | 2 23/64 | 2 3/16 | 6 1/8   | 9/16  | 3.00           |
|           | 1 7/16         | FX3W223E▲   |                               |                                   |         |         |      |       |       |         |        |         |       |                |
|           | 1 7/16         | FX3W223E▲   |                               |                                   |         |         |      |       |       |         |        |         |       |                |
| 208       | 1 1/2          | FX3W224E▲   | 5 21/32                       | 2 3/16                            | 4       | 1 23/32 | 1/2  | 15/32 | 5/8   | 2 35/64 | 2 3/8  | 6 25/32 | 39/64 | 4.00           |
|           | 1 5/8          | FX3W226E▲   |                               |                                   |         |         |      |       |       |         |        |         |       |                |
|           | 1 5/8          | FX3W226E▲   |                               |                                   |         |         |      |       |       |         |        |         |       |                |
| 209       | 1 11/16        | FX3W227E▲   | 5 27/32                       | 2 3/16                            | 4 1/4   | 1 23/32 | 1/2  | 15/32 | 5/8   | 2 9/16  | 2 1/2  | 7 3/32  | 19/32 | 4.70           |
|           | 1 3/4          | FX3W228E▲   |                               |                                   |         |         |      |       |       |         |        |         |       |                |
|           | 1 3/4          | FX3W228E▲   |                               |                                   |         |         |      |       |       |         |        |         |       |                |
| 210       | 1 15/16        | FX3W231E▲   | 6 3/16                        | 2 13/32                           | 4 9/16  | 1 23/32 | 9/16 | 11/16 | 3/4   | 2 57/64 | 2 3/4  | 7 7/16  | 9/16  | 5.70           |
|           | 2              | FX3W2E32E▲  |                               |                                   |         |         |      |       |       |         |        |         |       |                |

## Additional Notes

- Please call 1-866-REXNORD for availability
- Lubrication fitting tap size: for size code 203, 1/4 in-28 UNF: for all other size codes, 1/8 in PT
- ▲ E lip seals standard
- Nickel plated housings available, add suffix K75
- For the Selection Guide, Load Ratings and Speed Limits, see the Link-Belt 200 Series Ball Bearing Engineering section
- Note: Dimensions subject to change. Certified dimensions of ordered material furnished on request.

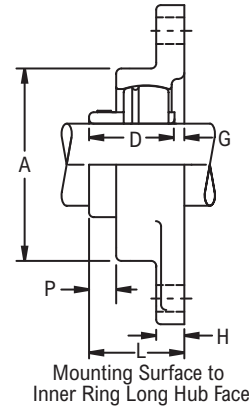
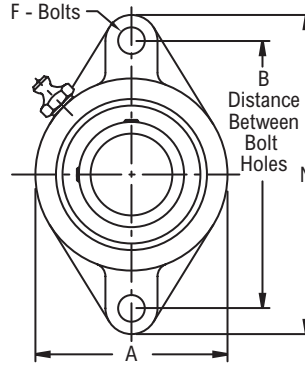
## FX3S200



Photo Shows a 2-Bolt Ball Bearing Flanged Unit

### Product Features

- Corrosion-resistant powder coating
- Cast iron housing
- Broad range of sealing options
- Spring locking setscrew mount
- Alignable & relubricatable
- See Features & Benefits for additional info.



### Bearing Dimensions

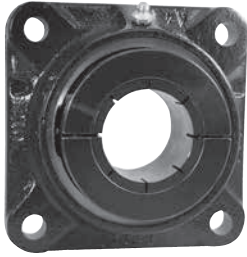
| Size Code | Shaft Diameter | Part Number | B<br>Distance<br>Between<br>Bolt Holes | L<br>Mounting<br>Surface to Inner<br>Ring Long Hub<br>Face | A       | D       | F     | G     | H     | N       | P     | Approx.<br>Weight |
|-----------|----------------|-------------|--|--|---------|---------|-------|-------|-------|---------|-------|-------------------|
| 203       | 1/2            | FX3S2B08E   | 3                                      | 1 1/8  | 2 5/16  | 63/64   | 3/8   | 9/64  | 3/8   | 3 7/8   | 5/16  | 0.81              |
|           | 5/8            | FX3S210E    |  |  |         |         |       |       |       |         |       | 0.77              |
|           | 11/16          | FX3S211E    |  |  |         |         |       |       |       |         |       | 0.75              |
| 204       | 3/4            | FX3S212E    | 3 17/32                                | 1 9/32   | 2 3/8   | 1 1/8   | 3/8   | 9/64  | 7/16  | 4 13/32 | 13/32 | 0.91              |
|           | 20.00          | FX3S2M20E   | 89.69                                  | 32.20  | 60.30   | 28.58   | 10.00 | 3.60  | 11.10 | 111.90  | 10.30 | 0.40              |
| 205       | 7/8            | FX3S214E    | 3 57/64                                | 1 5/16   | 2 3/4   | 1 11/64 | 7/16  | 1/8   | 1/2   | 4 7/8   | 7/16  | 1.32              |
|           | 15/16          | FX3S215E    |  |  |         |         |       |       |       |         |       | 1.29              |
|           | 1              | FX3S216E    |  |  |         |         |       |       |       |         |       | 1.26              |
|           | 25.00          | FX3S2M25E   | 98.82                                  | 33.30  | 69.80   | 29.77   | 10.00 | 3.20  | 12.70 | 123.80  | 11.10 | 0.60              |
| 206       | 1 1/8          | FX3S218E    | 4 19/32                                | 1 1/2  | 3 3/16  | 1 11/32 | 7/16  | 9/64  | 17/32 | 5 9/16  | 9/16  | 1.79              |
|           | 1 3/16         | FX3S219E    |  |  |         |         |       |       |       |         |       | 1.75              |
|           | 1 1/4          | FX3S2E20E   |  |  |         |         |       |       |       |         |       | 1.71              |
|           | 30.00          | FX3S2M30E   | 116.68                                 | 38.10  | 81.00   | 34.14   | 10.00 | 3.60  | 13.50 | 141.30  | 14.30 | 0.80              |
| 207       | 1 1/4          | FX3S220E    | 5 1/8                                  | 1 23/32  | 3 11/16 | 1 9/16  | 1/2   | 9/64  | 9/16  | 6 1/8   | 21/32 | 2.69              |
|           | 1 3/8          | FX3S222E    |  |  |         |         |       |       |       |         |       | 2.59              |
|           | 1 7/16         | FX3S223E    |  |  |         |         |       |       |       |         |       | 2.54              |
|           | 35.00          | FX3S2M35E   | 130.18                                 | 43.70  | 93.70   | 39.67   | 12.00 | 3.60  | 14.30 | 155.60  | 16.70 | 1.20              |
| 208       | 1 1/2          | FX3S224E    | 5 21/32                                | 1 13/16  | 4 1/8   | 1 21/32 | 1/2   | 5/32  | 9/16  | 6 3/4   | 21/32 | 3.47              |
|           | 1 5/8          | FX3S2E26E   |  |  |         |         |       |       |       |         |       | 3.33              |
|           | 40.00          | FX3S2M40E   |  |  |         |         |       |       |       |         |       | 143.67            |
| 209       | 1 5/8          | FX3S226E    | 5 27/32                                | 1 29/32  | 4 3/8   | 1 49/64 | 9/16  | 1/8   | 9/16  | 7 1/16  | 23/32 | 3.46              |
|           | 1 11/16        | FX3S227E    |  |  |         |         |       |       |       |         |       | 3.39              |
|           | 1 3/4          | FX3S228E    |  |  |         |         |       |       |       |         |       | 3.32              |
| 210       | 1 7/8          | FX3S230E    | 6 3/16                                 | 1 29/32  | 4 9/16  | 1 13/16 | 9/16  | 7/64  | 5/8   | 7 15/32 | 23/32 | 4.43              |
|           | 1 15/16        | FX3S231E    |  |  |         |         |       |       |       |         |       | 4.34              |
|           | 2              | FX3S2E32E   |  |  |         |         |       |       |       |         |       | 4.25              |
|           | 2              | FX3S232E    | 7 1/4                                  | 2  | 5       | 1 13/16 | 5/8   | 11/64 | 23/32 | 8 1/2   | 11/16 | 6.04              |
| 2 3/16    | FX3S235E       | 5.74        |  |  |         |         |       |       |       |         |       |                   |
| 2 1/4     | FX3S2E36E      | 5.64        |  |  |         |         |       |       |       |         |       |                   |

### Additional Notes

- Please call 1-866-REXNORD for availability
- Lubrication fitting tap size: for size codes 203 thru 205, 1/4-28 UNF; for all other size codes, 1/8 in PT
- Lip seals standard
- ◆ Available with E1 viton seals
- Available with free running style seals, add suffix ● FF, □ HFF or Δ MHFF
- Nickel plated housings available, add suffix K75

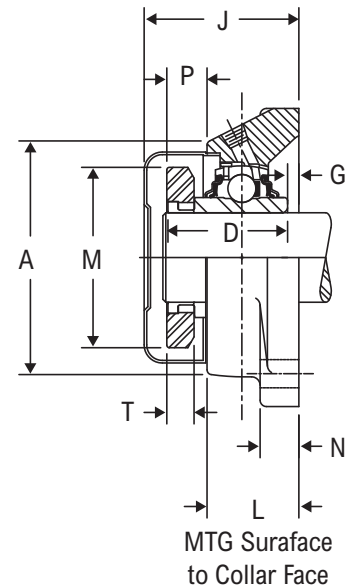
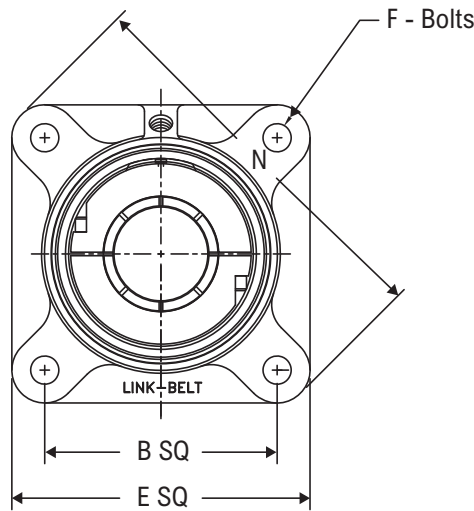
For the Selection Guide, Load Ratings and Speed Limits, see the Link-Belt Ball Bearing Engineering section  
 Note: Dimensions subject to change. Certified dimensions of ordered material furnished on request.

## F3CL200



### Product Features

- Corrosion-resistant powder coating
- Cast iron housing
- Broad range of sealing options
- Wide inner ring for increased shaft stability
- Alignable & relubricatable
- See Features & Benefits for additional info.



### Bearing Dimensions

| Size Code | Shaft Diameter                  | Part Number                                    | A                               | B<br>Distance<br>Between<br>Bolt Holes | D                               | E                             | F                            | G                             | H                             | J                               | L<br>Mounted<br>Surface<br>to Collar<br>Face | M                               | N                               | P                             | Approx.<br>Weight |
|-----------|---------------------------------|--|---------------------------------|--|---------------------------------|-------------------------------|------------------------------|-------------------------------|-------------------------------|---------------------------------|--|---------------------------------|---------------------------------|-------------------------------|-------------------|
| 204       | <sup>3</sup> / <sub>4</sub>     | F3CL212N* <span style="color: blue;">■</span>  | 2 <sup>7</sup> / <sub>16</sub>  | 2 1/2                                  | 1 <sup>11</sup> / <sub>32</sub> | 3 <sup>3</sup> / <sub>8</sub> | <sup>3</sup> / <sub>8</sub>  | <sup>13</sup> / <sub>64</sub> | <sup>9</sup> / <sub>16</sub>  | 2 <sup>1</sup> / <sub>16</sub>  | 1 <sup>9</sup> / <sub>16</sub>               | 1 <sup>59</sup> / <sub>64</sub> | 4 <sup>13</sup> / <sub>32</sub> | <sup>3</sup> / <sub>8</sub>   | 1.50              |
|           | 20.00                           | <span style="color: blue;">■</span> F3CL2M20N* | 61.90                           | 63.50                                  | 34.04                           | 85.70                         | 10.00                        | 5.20                          | 14.30                         | 52.30                           | 39.90  | 48.77                           | 111.90                          | 9.53                          | 0.68              |
| 205       | <sup>7</sup> / <sub>8</sub>     | F3CL214N* <span style="color: blue;">■</span>  | 2 <sup>11</sup> / <sub>16</sub> | 2 3/4                                  | 1 <sup>3</sup> / <sub>8</sub>   | 3 <sup>3</sup> / <sub>4</sub> | <sup>7</sup> / <sub>16</sub> | <sup>3</sup> / <sub>16</sub>  | <sup>19</sup> / <sub>32</sub> | 2 <sup>1</sup> / <sub>16</sub>  | 1 <sup>17</sup> / <sub>32</sub>              | 2 <sup>5</sup> / <sub>64</sub>  | 4 <sup>29</sup> / <sub>32</sub> | <sup>3</sup> / <sub>8</sub>   | 1.90              |
|           | <sup>15</sup> / <sub>16</sub>   | F3CL215N* <span style="color: blue;">■</span>  |                                 |  |                                 |                               |                              |                               |                               |                                 |  |                                 |                                 |                               |                   |
|           | 1                               | F3CL216N* <span style="color: blue;">■</span>  |                                 |  |                                 |                               |                              |                               |                               |                                 |  |                                 |                                 |                               |                   |
|           | 25.00                           | <span style="color: blue;">■</span> F3CL2M25N* | 68.30                           | 69.85                                  | 34.80                           | 95.20                         | 10.00                        | 4.80                          | 15.10                         | 52.30                           | 38.90  | 52.83                           | 124.60                          | 9.53                          | 0.86              |
| 206       | 1                               | F3CL2B16N* <span style="color: blue;">■</span> | 3 <sup>3</sup> / <sub>16</sub>  | 3 1/4                                  | 1 <sup>9</sup> / <sub>16</sub>  | 4 1/4                         | <sup>7</sup> / <sub>16</sub> | <sup>11</sup> / <sub>64</sub> | <sup>19</sup> / <sub>32</sub> | 2 1/4                           | 1 <sup>47</sup> / <sub>64</sub>              | 2 <sup>15</sup> / <sub>32</sub> | 5 <sup>19</sup> / <sub>32</sub> | <sup>27</sup> / <sub>64</sub> | 3.10              |
|           | <sup>1 1</sup> / <sub>8</sub>   | F3CL218N* <span style="color: blue;">■</span>  |                                 |  |                                 |                               |                              |                               |                               |                                 |  |                                 |                                 |                               |                   |
|           | <sup>1 3</sup> / <sub>16</sub>  | F3CL219N* <span style="color: blue;">■</span>  |                                 |  |                                 |                               |                              |                               |                               |                                 |  |                                 |                                 |                               |                   |
|           | <sup>1 1</sup> / <sub>4</sub>   | F3CL2E20N* <span style="color: blue;">■</span> |                                 |  |                                 |                               |                              |                               |                               |                                 |  |                                 |                                 |                               |                   |
|           | 30.00                           | <span style="color: blue;">■</span> F3CL2M30N* | 81.00                           | 82.55                                  | 39.62                           | 108.00                        | 10.00                        | 4.40                          | 15.10                         | 57.20                           | 43.90  | 62.48                           | 142.10                          | 10.72                         | 1.40              |
| 207       | <sup>1 3</sup> / <sub>16</sub>  | F3CL2B19N* <span style="color: blue;">■</span> | 3 <sup>5</sup> / <sub>8</sub>   | 3 <sup>5</sup> / <sub>8</sub>          | 1 <sup>3</sup> / <sub>4</sub>   | 4 <sup>5</sup> / <sub>8</sub> | 1/2                          | <sup>5</sup> / <sub>32</sub>  | <sup>5</sup> / <sub>8</sub>   | 2 <sup>25</sup> / <sub>64</sub> | 1 <sup>29</sup> / <sub>32</sub>              | 2 <sup>7</sup> / <sub>8</sub>   | 6 <sup>1</sup> / <sub>8</sub>   | 1/2                           | 3.90              |
|           | <sup>1 1</sup> / <sub>4</sub>   | F3CL220N* <span style="color: blue;">■</span>  |                                 |  |                                 |                               |                              |                               |                               |                                 |  |                                 |                                 |                               |                   |
|           | <sup>1 3</sup> / <sub>8</sub>   | F3CL222N* <span style="color: blue;">■</span>  |                                 |  |                                 |                               |                              |                               |                               |                                 |  |                                 |                                 |                               |                   |
|           | <sup>1 7</sup> / <sub>16</sub>  | F3CL223N* <span style="color: blue;">■</span>  |                                 |  |                                 |                               |                              |                               |                               |                                 |  |                                 |                                 |                               |                   |
|           | 35.00                           | <span style="color: blue;">■</span> F3CL2M35N* | 92.10                           | 92.08                                  | 44.45                           | 117.50                        | 12.00                        | 4.00                          | 15.90                         | 60.70                           | 48.30  | 73.15                           | 155.60                          | 12.70                         | 1.75              |
| 208       | <sup>1 7</sup> / <sub>16</sub>  | F3CL2B23N* <span style="color: blue;">■</span> | 4                               | 4                                      | 1 <sup>15</sup> / <sub>16</sub> | 5 1/8                         | 1/2                          | <sup>11</sup> / <sub>64</sub> | <sup>5</sup> / <sub>8</sub>   | 2 <sup>37</sup> / <sub>64</sub> | 2 1/8  | 3 <sup>3</sup> / <sub>64</sub>  | 6 <sup>25</sup> / <sub>32</sub> | <sup>35</sup> / <sub>64</sub> | 5.00              |
|           | <sup>1 1</sup> / <sub>2</sub>   | F3CL224N* <span style="color: blue;">■</span>  |                                 |  |                                 |                               |                              |                               |                               |                                 |  |                                 |                                 |                               |                   |
|           | <sup>1 5</sup> / <sub>8</sub>   | F3CL2E26N* <span style="color: blue;">■</span> |                                 |  |                                 |                               |                              |                               |                               |                                 |  |                                 |                                 |                               |                   |
|           | 40.00                           | <span style="color: blue;">■</span> F3CL2M40N* | 101.60                          | 101.60                                 | 49.28                           | 130.20                        | 12.00                        | 4.40                          | 15.90                         | 65.50                           | 53.90  | 77.47                           | 172.20                          | 13.72                         | 2.25              |
| 209       | <sup>1 1</sup> / <sub>2</sub>   | F3CL2B24N* <span style="color: blue;">■</span> | 4 1/4                           | 4 1/8                                  | 1 <sup>61</sup> / <sub>64</sub> | 5 <sup>3</sup> / <sub>8</sub> | 1/2                          | <sup>7</sup> / <sub>64</sub>  | <sup>5</sup> / <sub>8</sub>   | 2 <sup>19</sup> / <sub>32</sub> | 2 1/8  | 3 <sup>17</sup> / <sub>64</sub> | 7 <sup>3</sup> / <sub>32</sub>  | <sup>33</sup> / <sub>64</sub> | 6.20              |
|           | <sup>1 5</sup> / <sub>8</sub>   | F3CL226N* <span style="color: blue;">■</span>  |                                 |  |                                 |                               |                              |                               |                               |                                 |  |                                 |                                 |                               |                   |
|           | <sup>1 11</sup> / <sub>16</sub> | F3CL227N* <span style="color: blue;">■</span>  |                                 |  |                                 |                               |                              |                               |                               |                                 |  |                                 |                                 |                               |                   |
|           | <sup>1 3</sup> / <sub>4</sub>   | F3CL228N* <span style="color: blue;">■</span>  |                                 |  |                                 |                               |                              |                               |                               |                                 |  |                                 |                                 |                               |                   |
|           | 45.00                           | <span style="color: blue;">■</span> F3CL2M45N* | 108.00                          | 104.78                                 | 49.53                           | 136.50                        | 12.00                        | 2.80                          | 15.90                         | 65.80                           | 53.90  | 82.80                           | 180.20                          | 13.21                         | 2.80              |
| 210       | <sup>1 11</sup> / <sub>16</sub> | F3CL2B27N* <span style="color: blue;">■</span> | 4 1/2                           | 4 <sup>3</sup> / <sub>8</sub>          | 2 <sup>5</sup> / <sub>64</sub>  | 5 <sup>5</sup> / <sub>8</sub> | 1/2                          | <sup>13</sup> / <sub>64</sub> | <sup>3</sup> / <sub>4</sub>   | 2 <sup>53</sup> / <sub>64</sub> | 2 <sup>23</sup> / <sub>64</sub>              | 3 <sup>5</sup> / <sub>8</sub>   | 7 <sup>7</sup> / <sub>16</sub>  | <sup>5</sup> / <sub>8</sub>   | 6.90              |
|           | <sup>1 3</sup> / <sub>4</sub>   | F3CL2B28N* <span style="color: blue;">■</span> |                                 |  |                                 |                               |                              |                               |                               |                                 |  |                                 |                                 |                               |                   |
|           | <sup>1 7</sup> / <sub>8</sub>   | F3CL230N* <span style="color: blue;">■</span>  |                                 |  |                                 |                               |                              |                               |                               |                                 |  |                                 |                                 |                               |                   |
|           | <sup>1 15</sup> / <sub>16</sub> | F3CL231N* <span style="color: blue;">■</span>  |                                 |  |                                 |                               |                              |                               |                               |                                 |  |                                 |                                 |                               |                   |

Continued...

Continued...

**Bearing Dimensions**

| Size Code | Shaft Diameter | Part Number  | A       | B<br>Distance<br>Between<br>Bolt Holes | D       | E      | F     | G     | H     | J       | L       | M       | N      | P      | Approx.<br>Weight |
|-----------|----------------|--------------|---------|--|---------|--------|-------|-------|-------|---------|---------|---------|--------|--------|-------------------|
| 210       | 2              | F3CL2E32N*Δ■ | 4 1/2   | 4 3/8                                  | 2 5/64  | 5 5/8  | 1/2   | 13/64 | 3/4   | 2 53/64 | 2 23/64 | 3 5/8   | 7 7/16 | 5/8    | 6.90              |
|           | 50.00          | F3CL2M50N*Δ■ | 114.30  | 111.12                                 | 52.58   | 142.90 | 12.00 | 5.20  | 19.00 | 71.90   | 59.70   | 92.20   | 188.90 | 15.75  | 3.10              |
| 211       | 1 15/16        | F3CL2B31N*Δ■ | 4 15/16 | 5 1/8                                  | 2 15/64 | 6 3/8  | 5/8   | 5/16  | 29/32 | 3 5/64  | 2 9/16  | 3 29/32 | 8 1/2  | 5/8    | 8.90              |
|           | 2              | F3CL232N*Δ■  |         |  |         |        |       |       |       |         |         |         |        |        |                   |
|           | 2 3/16         | F3CL235N*Δ■  |         |  |         |        |       |       |       |         |         |         |        |        |                   |
|           | 2 1/4          | F3CL2E36N*Δ■ |         |  |         |        |       |       |       |         |         |         |        |        |                   |
|           | 55.00          | F3CL2M55N*Δ■ |         |  |         |        |       |       |       |         |         |         |        |        |                   |
| 212       | 2 3/16         | F3CL2B35N*Δ■ | 5 3/8   | 5 5/8                                  | 3 1/16  | 6 7/8  | 5/8   | 11/32 | 15/16 | 3 23/64 | 2 55/64 | 4 11/16 | 9 7/32 | 2 1/32 | 11.90             |
|           | 2 1/4          | F3CL236N*Δ■  |         |  |         |        |       |       |       |         |         |         |        |        |                   |
|           | 2 3/8          | F3CL238N*Δ■  |         |  |         |        |       |       |       |         |         |         |        |        |                   |
|           | 2 7/16         | F3CL239N*Δ■  |         |  |         |        |       |       |       |         |         |         |        |        |                   |
|           | 60.00          | F3CL2M60N*Δ■ |         |  |         |        |       |       |       |         |         |         |        |        |                   |

**Additional Notes**

Please call 1-866-REXNORD for availability  
 Lubrication fitting tap size: for size code 203, 1/4 in-28 UNF; for all other size codes, 1/8 in PT  
 \* N lip seals standard

- Available with H labyrinth seals
- Δ Available with E3 triple lip seals
- Nickel plated housings available, add suffix K75

For the Selection Guide, Load Ratings and Speed Limits, see the Link-Belt 200 Series Ball Bearing Engineering section  
 Note: Dimensions subject to change. Certified dimensions of ordered material furnished on request.

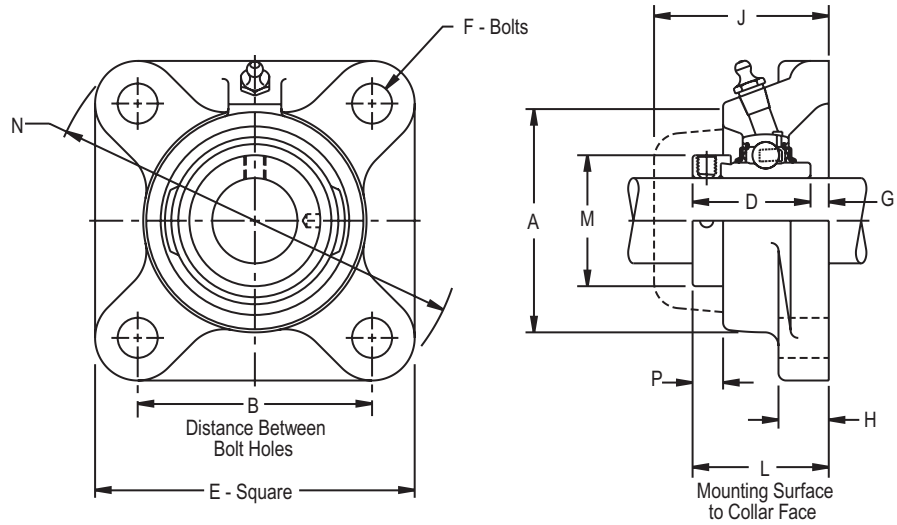
# F3Y200



Photo Shows a 4-Bolt Ball Bearing Flanged Unit

## Product Features

- Corrosion-resistant powder coating
- Cast iron housing
- Broad range of sealing options
- Wide inner ring for increased shaft stability
- Eccentric cam locking device
- Alignable & relubricatable
- See Features & Benefits for additional info.



## Bearing Dimensions

| Size Code | Shaft Diameter | Part Number  | B Distance Between Bolt Holes | L Mounting Surface to Collar Face | A       | D       | E     | F    | G    | H     | J       | M      | N       | P     | Approx. Weight |
|-----------|----------------|--------------|-------------------------------|-----------------------------------|---------|---------|-------|------|------|-------|---------|--------|---------|-------|----------------|
| 204       | 3/4            | F3Y212N *■   | 2 1/2                         | 1 51/64                           | 2 7/16  | 1 23/32 | 3 3/8 | 3/8  | 1/16 | 9/16  | 2 1/64  | 1 5/16 | 4 13/32 | 37/64 | 1.60           |
|           | 7/8            | F3Y214N *Δ■  |                               |                                   |         |         |       |      |      |       |         |        |         |       |                |
| 205       | 15/16          | F3Y215N *Δ■  | 2 3/4                         | 1 13/16                           | 2 11/16 | 1 3/4   | 3 3/4 | 7/16 | 1/16 | 19/32 | 2       | 1 1/2  | 4 29/32 | 35/64 | 2.00           |
|           | 1              | F3Y216N *Δ■  |                               |                                   |         |         |       |      |      |       |         |        |         |       |                |
| 206       | 1 1/8          | F3Y218N *■   | 3 1/4                         | 1 31/32                           | 3 3/16  | 1 29/32 | 4 1/4 | 7/16 | 1/16 | 19/32 | 2 15/64 | 1 3/4  | 5 19/32 | 21/32 | 3.20           |
|           | 1 3/16         | F3Y219N *■   |                               |                                   |         |         |       |      |      |       |         |        |         |       |                |
|           | 1 1/4          | F3Y2E20N *■  |                               |                                   |         |         |       |      |      |       |         |        |         |       |                |
| 207       | 1 1/4          | F3Y220N *Δ■  | 3 5/8                         | 2 5/64                            | 3 5/8   | 2 1/64  | 4 5/8 | 1/2  | 1/16 | 5/8   | 2 23/64 | 2 3/16 | 6 1/8   | 11/16 | 4.20           |
|           | 1 3/8          | F3Y222N *Δ■  |                               |                                   |         |         |       |      |      |       |         |        |         |       |                |
|           | 1 7/16         | F3Y223N *Δ■  |                               |                                   |         |         |       |      |      |       |         |        |         |       |                |
| 208       | 1 1/2          | F3Y224N *Δ■  | 4                             | 2 9/32                            | 4       | 2 7/32  | 5 1/8 | 1/2  | 1/16 | 5/8   | 2 35/64 | 2 3/8  | 6 25/32 | 45/64 | 5.30           |
|           | 1 5/8          | F3Y226N *Δ■  |                               |                                   |         |         |       |      |      |       |         |        |         |       |                |
| 209       | 1 11/16        | F3Y227N *Δ■  | 4 1/8                         | 2 9/32                            | 4 1/4   | 2 7/32  | 5 3/8 | 1/2  | 1/16 | 5/8   | 2 9/16  | 2 1/2  | 7 3/32  | 11/16 | 6.50           |
|           | 1 3/4          | F3Y228N *Δ■  |                               |                                   |         |         |       |      |      |       |         |        |         |       |                |
| 210       | 1 15/16        | F3Y231N *Δ■  | 4 3/8                         | 2 17/32                           | 4 1/2   | 2 15/32 | 5 5/8 | 1/2  | 1/16 | 3/4   | 2 13/16 | 2 3/4  | 7 7/16  | 51/64 | 7.20           |
|           | 2              | F3Y2E32N *Δ■ |                               |                                   |         |         |       |      |      |       |         |        |         |       |                |
| 211       | 2              | F3Y232N *Δ■  | 5 1/8                         | 2 7/8                             | 4 15/16 | 2 13/16 | 6 3/8 | 5/8  | 1/16 | 29/32 | 3 11/64 | 3      | 8 1/2   | 15/16 | 9.50           |
|           | 2 3/16         | F3Y235N *Δ■  |                               |                                   |         |         |       |      |      |       |         |        |         |       |                |
|           | 2 1/4          | F3Y236N *Δ■  |                               |                                   |         |         |       |      |      |       |         |        |         |       |                |
| 212       | 2 3/8          | F3Y238N *Δ■  | 5 5/8                         | 3 1/8                             | 5 3/8   | 3 1/16  | 6 7/8 | 5/8  | 1/16 | 15/16 | 3 25/64 | 3 5/16 | 9 7/32  | 15/16 | 12.50          |
|           | 2 7/16         | F3Y239N *Δ■  |                               |                                   |         |         |       |      |      |       |         |        |         |       |                |

## Additional Notes

- Please call 1-866-REXNORD for availability  
 Lubrication fitting tap size: for size code 203, 1/4 in-28 UNF: for all other size codes, 1/8 in PT  
 \* N lip seals standard  
 ■ Available with H labyrinth seals  
 Δ Available with E3 triple lip seals  
 Nickel plated housings available, add suffix K75

For the Selection Guide, Load Ratings and Speed Limits, see the Link-Belt 200 Series Ball Bearing Engineering section  
 Note: Dimensions subject to change. Certified dimensions of ordered material furnished on request.

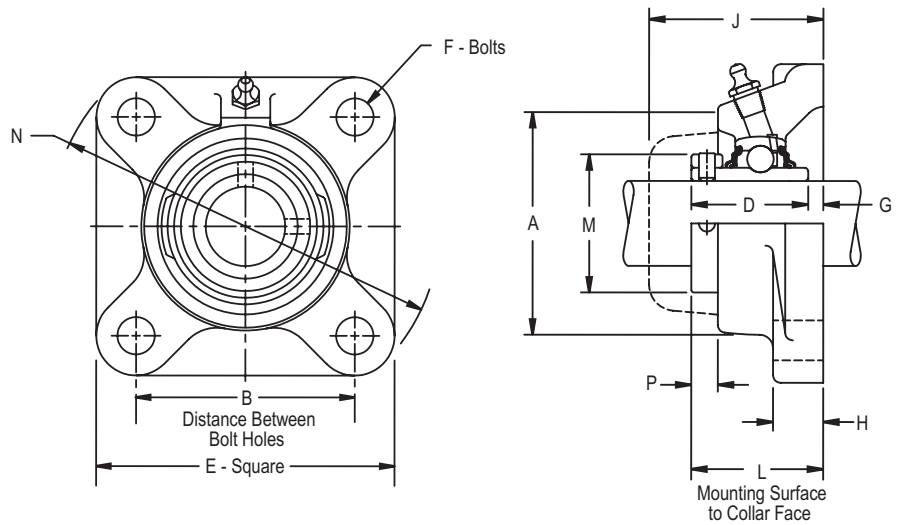
# F3U200



Photo Shows a 4-Bolt Ball Bearing Flanged Unit

### Product Features

- Corrosion-resistant powder coating
- Cast iron housing
- Broad range of sealing options
- Wide inner ring for increased shaft stability
- Spring locking setscrew mount
- Alignable & relubricatable
- See Features & Benefits for additional info.



### Bearing Dimensions

| Size Code | Shaft Diameter | Part Number | B Distance Between Bolt Holes | L Mounting Surface to Collar Face | A       | D       | E      | F     | G     | H     | J       | M | N       | P     | Approx. Weight |
|-----------|----------------|-------------|-------------------------------|-----------------------------------|---------|---------|--------|-------|-------|-------|---------|---|---------|-------|----------------|
| 203       | 1/2            | F3U2B08N *■ | 2 1/8                         | 1 1/4                             | 2 1/8   | 1 3/32  | 3      | 3/8   | 5/32  | 1/2   | 1 25/32 | - | 3 7/8   | 1/4   | 1.00           |
|           | 5/8            | F3U210N *■  |                               |                                   |         |         |        |       |       |       |         |   |         |       |                |
|           | 11/16          | F3U211N *■  |                               |                                   |         |         |        |       |       |       |         |   |         |       |                |
|           | 17.00          | F3U2M17N *■ | 53.98                         | 31.80                             | 54.00   | 27.78   | 76.20  | 10.00 | 4.00  | 12.70 | 45.20   | - | 98.40   | 6.40  | 0.45           |
| 204       | 3/4            | F3U212N *■  | 2 1/2                         | 1 31/64                           | 2 7/16  | 1 9/32  | 3 3/8  | 3/8   | 13/64 | 9/16  | 2 1/64  | - | 4 13/32 | 9/32  | 1.50           |
|           | 20.00          | F3U2M20N *■ |                               |                                   |         |         |        |       |       |       |         |   |         |       |                |
| 205       | 7/8            | F3U214N *■  | 2 3/4                         | 1 35/64                           | 2 11/16 | 1 23/64 | 3 3/4  | 7/16  | 3/16  | 19/32 | 2       | - | 4 29/32 | 19/64 | 1.90           |
|           | 15/16          | F3U215N *■  |                               |                                   |         |         |        |       |       |       |         |   |         |       |                |
|           | 1              | F3U216N *■  |                               |                                   |         |         |        |       |       |       |         |   |         |       |                |
|           | 25.00          | F3U2M25N *■ |                               |                                   |         |         |        |       |       |       |         |   |         |       |                |
| 206       | 1 1/8          | F3U218N *■  | 3 1/4                         | 1 47/64                           | 3 3/16  | 1 9/16  | 4 1/4  | 7/16  | 11/64 | 19/32 | 2 15/64 | - | 5 19/32 | 7/16  | 3.10           |
|           | 1 3/16         | F3U219N *■  |                               |                                   |         |         |        |       |       |       |         |   |         |       |                |
|           | 1 1/4          | F3U2E20N *■ |                               |                                   |         |         |        |       |       |       |         |   |         |       |                |
|           | 30.00          | F3U2M30N *■ | 82.55                         | 44.00                             | 81.00   | 39.69   | 108.00 | 10.00 | 4.40  | 15.10 | 56.70   | - | 142.10  | 11.10 | 1.40           |
| 207       | 1 1/4          | F3U220N *■  | 3 5/8                         | 1 59/64                           | 3 5/8   | 1 49/64 | 4 5/8  | 1/2   | 5/32  | 5/8   | 2 23/64 | - | 6 1/8   | 33/64 | 3.90           |
|           | 1 3/8          | F3U222N *■  |                               |                                   |         |         |        |       |       |       |         |   |         |       |                |
|           | 1 7/16         | F3U223N *■  |                               |                                   |         |         |        |       |       |       |         |   |         |       |                |
|           | 35.00          | F3U2M35N *■ | 92.08                         | 48.80                             | 92.10   | 44.85   | 117.50 | 12.00 | 4.00  | 15.90 | 59.90   | - | 155.60  | 13.10 | 1.75           |
| 208       | 1 1/2          | F3U224N *■  | 4                             | 2 5/64                            | 4       | 1 29/32 | 5 1/8  | 1/2   | 11/64 | 5/8   | 2 35/64 | - | 6 25/32 | 1/2   | 5.00           |
|           | 40.00          | F3U2M40N *■ |                               |                                   |         |         |        |       |       |       |         |   |         |       |                |
| 209       | 1 5/8          | F3U226N *■  | 4 1/8                         | 2 9/64                            | 4 1/4   | 2 1/32  | 5 3/8  | 1/2   | 7/64  | 5/8   | 2 9/16  | - | 7 3/32  | 35/64 | 6.20           |
|           | 1 11/16        | F3U227N *■  |                               |                                   |         |         |        |       |       |       |         |   |         |       |                |
|           | 1 3/4          | F3U228N *■  |                               |                                   |         |         |        |       |       |       |         |   |         |       |                |
|           | 45.00          | F3U2M45N *■ | 104.78                        | 54.40                             | 108.00  | 51.59   | 136.50 | 12.00 | 2.80  | 15.90 | 65.10   | - | 180.20  | 13.90 | 2.80           |
| 210       | 1 15/16        | F3U231N *■  | 4 3/8                         | 2 19/64                           | 4 1/2   | 2 3/32  | 5 5/8  | 1/2   | 13/64 | 3/4   | 2 13/16 | - | 7 7/16  | 9/16  | 6.90           |
|           | 2              | F3U2E32N *■ |                               |                                   |         |         |        |       |       |       |         |   |         |       |                |
|           | 50.00          | F3U2M50N *■ | 111.12                        | 58.30                             | 114.30  | 53.18   | 142.90 | 12.00 | 5.20  | 19.00 | 71.40   | - | 188.90  | 14.30 | 3.10           |
| 211       | 2              | F3U232N *■  | 5 1/8                         | 2 9/16                            | 4 15/16 | 2 1/4   | 6 3/8  | 5/8   | 5/16  | 29/32 | 3 11/64 | - | 8 1/2   | 5/8   | 8.90           |
|           | 2 3/16         | F3U235N *■  |                               |                                   |         |         |        |       |       |       |         |   |         |       |                |
|           | 55.00          | F3U2M55N *■ |                               |                                   |         |         |        |       |       |       |         |   |         |       |                |
| 212       | 2 1/4          | F3U236N *■  | 5 5/8                         | 2 27/32                           | 5 3/8   | 2 1/2   | 6 7/8  | 5/8   | 11/32 | 15/16 | 3 25/64 | - | 9 7/32  | 41/64 | 11.90          |
|           | 2 3/8          | F3U238N *■  |                               |                                   |         |         |        |       |       |       |         |   |         |       |                |
|           | 2 7/16         | F3U239N *■  |                               |                                   |         |         |        |       |       |       |         |   |         |       |                |
|           | 60.00          | F3U2M60N *■ |                               |                                   |         |         |        |       |       |       |         |   |         |       |                |

Continued...

Continued...

**Bearing Dimensions**

| Size Code | Shaft Diameter | Part Number | B Distance Between Bolt Holes | L Mounting Surface to Collar Face | A      | D       | E      | F     | G    | H     | J      | M      | N       | P      | Approx. Weight |
|-----------|----------------|-------------|-------------------------------|-----------------------------------|--------|---------|--------|-------|------|-------|--------|--------|---------|--------|----------------|
| 213       | 2 1/2          | F3U240N *Δ  | 5 7/8                         | 2 25/32                           | 5 7/8  | 2 11/16 | 7 3/8  | 5/8   | 3/32 | 3/4   | 3 5/32 | 4 3/16 | 9 13/16 | 5/8    | 14.40          |
|           | 2 11/16        | F3U243N *Δ  |                               |                                   |        |         |        |       |      |       |        |        |         |        |                |
|           | 65.00          | F3U2M65N *Δ | 149.22                        | 70.60                             | 149.20 | 68.26   | 187.30 | 16.00 | 2.40 | 19.00 | 80.20  | 106.40 | 249.20  | 15.90  | 6.50           |
| 215       | 2 3/4          | F3U244N *Δ  | 6                             | 2 31/32                           | 6 3/8  | 2 7/8   | 7 3/4  | 3/4   | 3/32 | 3/4   | 3 3/8  | 4 5/8  | 10 1/4  | 1 1/16 | 17.40          |
|           | 2 15/16        | F3U247N *Δ  |                               |                                   |        |         |        |       |      |       |        |        |         |        |                |
|           | 3              | F3U2E48N *Δ |                               |                                   |        |         |        |       |      |       |        |        |         |        |                |
|           | 75.00          | F3U2M75N *Δ | 152.40                        | 75.40                             | 161.90 | 73.02   | 196.80 | 20.00 | 2.40 | 19.00 | 85.70  | 117.50 | 260.40  | 17.50  | 7.85           |
| 217       | 3 7/16         | F3U255N *Δ  | 6 3/4                         | 3 21/32                           | 7 1/2  | 3 9/16  | 8 9/16 | 3/4   | 3/32 | 1     | 4 1/32 | 5 3/16 | 11 3/8  | 3/4    | 25.70          |
|           | 3 1/2          | F3U2E56N *Δ |                               |                                   |        |         |        |       |      |       |        |        |         |        |                |
|           | 85.00          | F3U2M85N *Δ |                               |                                   |        |         |        |       |      |       |        |        |         |        |                |

**Additional Notes**

Please call 1-866-REXNORD for availability  
 Lubrication fitting tap size: for size code 203, 1/4 in-28 UNF: for all other size codes, 1/8 in PT  
 Size codes 203 to 212 don't have mounting collars  
 \* N lip seals standard  
 ■ Available with H labyrinth seals  
 Δ Available with E3 triple lip seals  
 Nickel plated housings available, add suffix K75

For the Selection Guide, Load Ratings and Speed Limits, see the Link-Belt 200 Series Ball Bearing Engineering section  
 Note: Dimensions subject to change. Certified dimensions of ordered material furnished on request.

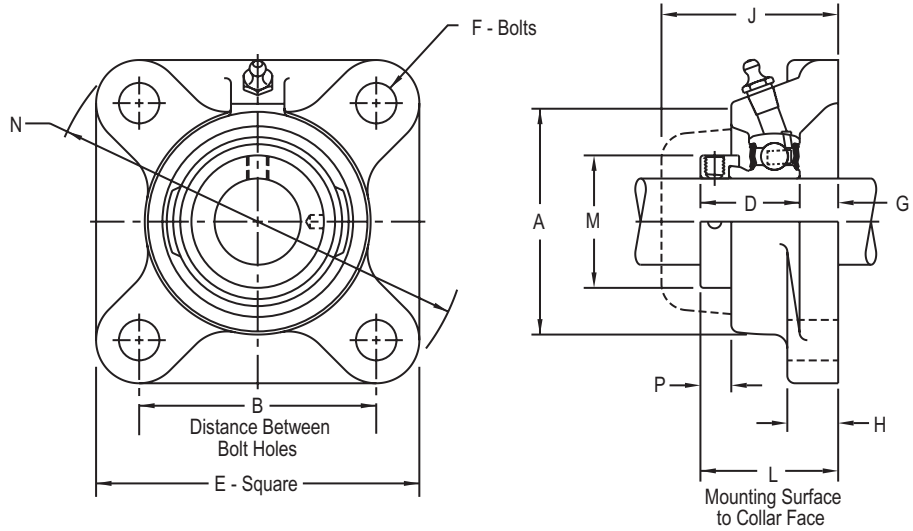
# F3W200



Photo Shows a 4-Bolt Ball Bearing Flanged Unit

### Product Features

- Corrosion-resistant powder coating
- Cast iron housing
- Eccentric cam locking device
- Alignable & relubricatable
- See Features & Benefits for additional info.



### Bearing Dimensions

| Size Code | Shaft Diameter | Part Number | B Distance Between Bolt Holes | L Mounting Surface to Collar Face | A       | D       | E     | F    | G     | H     | J       | M      | N       | P     | Approx. Weight |
|-----------|----------------|-------------|-------------------------------|-----------------------------------|---------|---------|-------|------|-------|-------|---------|--------|---------|-------|----------------|
| 203       | 1/2            | F3W2B08E▲   | 2 1/8                         | 1 31/64                           | 2 1/8   | 1 1/8   | 3     | 3/8  | 23/64 | 1/2   | 1 25/32 | 1 1/8  | 3 7/8   | 15/32 | 0.80           |
|           | 5/8            | F3W210E▲    |                               |                                   |         |         |       |      |       |       |         |        |         |       |                |
| 204       | 3/4            | F3W212E▲    | 2 1/2                         | 1 21/32                           | 2 7/16  | 1 7/32  | 3 3/8 | 3/8  | 7/16  | 9/16  | 2 1/64  | 1 5/16 | 4 13/32 | 29/64 | 1.30           |
|           | 7/8            | F3W214E▲    |                               |                                   |         |         |       |      |       |       |         |        |         |       |                |
| 205       | 15/16          | F3W215E▲    | 2 3/4                         | 1 43/64                           | 2 11/16 | 1 7/32  | 3 3/4 | 7/16 | 29/64 | 19/32 | 2       | 1 1/2  | 4 29/32 | 27/64 | 1.80           |
|           | 1              | F3W216E▲    |                               |                                   |         |         |       |      |       |       |         |        |         |       |                |
|           | 1 1/8          | F3W218E▲    |                               |                                   |         |         |       |      |       |       |         |        |         |       |                |
| 206       | 1 3/16         | F3W219E▲    | 3 1/4                         | 1 53/64                           | 3 3/16  | 1 13/32 | 4 1/4 | 7/16 | 27/64 | 19/32 | 2 15/64 | 1 3/4  | 5 19/32 | 33/64 | 2.90           |
|           | 1 1/4          | F3W220E▲    |                               |                                   |         |         |       |      |       |       |         |        |         |       |                |
| 207       | 1 1/4          | F3W220E▲    | 3 5/8                         | 1 31/32                           | 3 5/8   | 1 17/32 | 4 5/8 | 1/2  | 7/16  | 5/8   | 2 23/64 | 2 3/16 | 6 1/8   | 9/16  | 3.70           |
|           | 1 3/8          | F3W222E▲    |                               |                                   |         |         |       |      |       |       |         |        |         |       |                |
|           | 1 7/16         | F3W223E▲    |                               |                                   |         |         |       |      |       |       |         |        |         |       |                |
| 208       | 1 1/2          | F3W224E▲    | 4                             | 2 3/16                            | 4       | 1 23/32 | 5 1/8 | 1/2  | 15/32 | 5/8   | 2 35/64 | 2 3/8  | 6 25/32 | 39/64 | 4.80           |
|           | 1 5/8          | F3W226E▲    |                               |                                   |         |         |       |      |       |       |         |        |         |       |                |
| 209       | 1 11/16        | F3W227E▲    | 4 1/8                         | 2 3/16                            | 4 1/4   | 1 23/32 | 5 3/8 | 1/2  | 15/32 | 5/8   | 2 9/16  | 2 1/2  | 7 3/32  | 19/32 | 5.60           |
|           | 1 3/4          | F3W228E▲    |                               |                                   |         |         |       |      |       |       |         |        |         |       |                |
| 210       | 1 15/16        | F3W231E▲    | 4 3/8                         | 2 5/16                            | 4 1/2   | 1 23/32 | 5 5/8 | 1/2  | 19/32 | 3/4   | 2 13/16 | 2 3/4  | 7 7/16  | 37/64 | 6.10           |
|           | 2              | F3W2E32E▲   |                               |                                   |         |         |       |      |       |       |         |        |         |       |                |

### Additional Notes

- Please call 1-866-REXNORD for availability
- Lubrication fitting tap size: for size code 203, 1/4 in-28 UNF; for all other size codes, 1/8 in PT
- ▲ E lip seals standard
- Nickel plated housings available, add suffix K75
- For the Selection Guide, Load Ratings and Speed Limits, see the Link-Belt 200 Series Ball Bearing Engineering section
- Note: Dimensions subject to change. Certified dimensions of ordered material furnished on request.



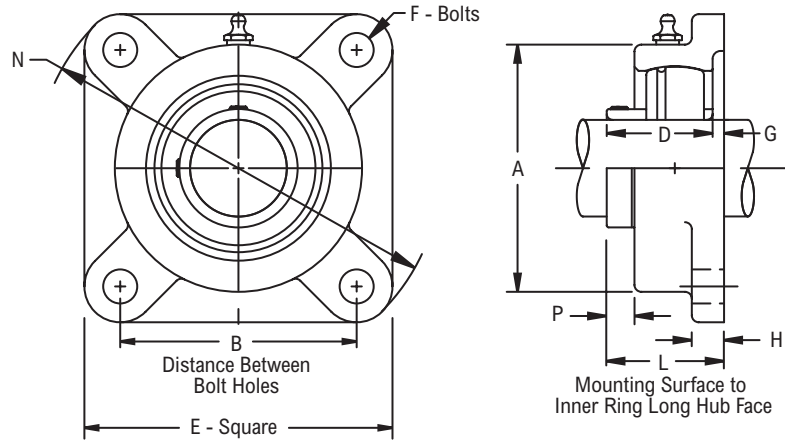
# F3S200



Photo Shows a 4-Bolt Ball Bearing Flanged Unit

## Product Features

- Corrosion-resistant powder coating
- Cast iron housing
- Broad range of sealing options
- Spring locking setscrew mount
- Alignable & relubricatable
- See Features & Benefits for additional info



## Bearing Dimensions

| Size Code | Shaft Diameter | Part Number     | B Distance Between Bolt Holes | L Mounting Surface to Inner Ring Long Hub Face | A       | D       | E     | F    | G     | H     | N       | P     | Approx. Weight |
|-----------|----------------|-----------------|-------------------------------|--|---------|---------|-------|------|-------|-------|---------|-------|----------------|
| 203       | 1/2            | F3S2B08E        | 2 1/8                         | 1 1/8  | 2 1/16  | 63/64   | 3     | 3/8  | 9/64  | 3/8   | 3 7/8   | 5/16  | 0.99           |
|           | 5/8            | F3S210E         |                               |  |         |         |       |      |       |       |         |       | 0.95           |
|           | 11/16          | F3S211E         |                               |  |         |         |       |      |       |       |         |       | 0.93           |
| 204       | 3/4            | F3S212E         | 2 1/2                         | 1 9/32   | 2 5/16  | 1 1/8   | 3 3/8 | 3/8  | 9/64  | 3/8   | 4 13/32 | 13/32 | 1.30           |
|           | 20.00          | <b>F3S2M20E</b> |                               |  |         |         |       |      |       |       |         |       | 63.50          |
| 205       | 7/8            | F3S214E         | 2 3/4                         | 1 5/16   | 2 11/16 | 1 11/64 | 3 3/4 | 7/16 | 1/8   | 7/16  | 4 29/32 | 7/16  | 1.71           |
|           | 15/16          | F3S215E         |                               |  |         |         |       |      |       |       |         |       | 1.68           |
|           | 1              | F3S26E          |                               |  |         |         |       |      |       |       |         |       | 1.65           |
|           | 25.00          | <b>F3S2M25E</b> |                               |  |         |         |       |      |       |       |         |       | 69.85          |
| 206       | 1 1/8          | F3S218E         | 3 1/4                         | 1 1/2  | 3 3/16  | 1 11/32 | 4 1/4 | 7/16 | 9/64  | 1/2   | 5 19/32 | 9/16  | 2.50           |
|           | 1 3/16         | F3S219E         |                               |  |         |         |       |      |       |       |         |       | 2.46           |
|           | 1 1/4          | F3S2E20E        |                               |  |         |         |       |      |       |       |         |       | 2.42           |
|           | 30.00          | <b>F3S2M30E</b> |                               |  |         |         |       |      |       |       |         |       | 82.55          |
| 207       | 1 1/4          | F3S220E         | 3 5/8                         | 1 23/32  | 3 11/16 | 1 9/16  | 4 5/8 | 1/2  | 9/64  | 1/2   | 6 1/8   | 21/32 | 3.41           |
|           | 1 3/8          | F3S222E         |                               |  |         |         |       |      |       |       |         |       | 3.31           |
|           | 1 7/16         | F3S223E         |                               |  |         |         |       |      |       |       |         |       | 3.26           |
|           | 35.00          | <b>F3S2M35E</b> |                               |  |         |         |       |      |       |       |         |       | 92.08          |
| 208       | 1 1/2          | F3S224E         | 4                             | 1 13/16  | 4 1/16  | 1 21/32 | 5 1/4 | 1/2  | 5/32  | 9/16  | 6 25/32 | 21/32 | 4.49           |
|           | 1 5/8          | F3S2E26E        |                               |  |         |         |       |      |       |       |         |       | 4.35           |
|           | 40.00          | <b>F3S2M40E</b> |                               |  |         |         |       |      |       |       |         |       | 101.60         |
| 209       | 1 5/8          | F3S226E         | 4 1/8                         | 1 29/32  | 4 5/16  | 1 49/64 | 5 3/8 | 9/16 | 1/8   | 9/16  | 7 3/32  | 23/32 | 4.85           |
|           | 1 11/16        | F3S227E         |                               |  |         |         |       |      |       |       |         |       | 4.78           |
|           | 1 3/4          | F3S228E         |                               |  |         |         |       |      |       |       |         |       | 4.70           |
|           | 1 7/8          | F3S230E         |                               |  |         |         |       |      |       |       |         |       | 5.31           |
| 210       | 1 15/16        | F3S231E         | 4 3/8                         | 1 29/32  | 4 1/2   | 1 13/16 | 5 5/8 | 9/16 | 7/64  | 9/16  | 7 7/16  | 23/32 | 5.22           |
|           | 2              | F3S2E32E        |                               |  |         |         |       |      |       |       |         |       | 5.13           |
|           | 2              | F3S232E         |                               |  |         |         |       |      |       |       |         |       | 7.53           |
| 211       | 2 3/16         | F3S235E         | 5 1/8                         | 2  | 5 3/16  | 1 13/16 | 6 3/8 | 5/8  | 11/64 | 5/8   | 8 1/2   | 11/16 | 7.23           |
|           | 2 1/4          | F3S2E36E        |                               |  |         |         |       |      |       |       |         |       | 7.13           |
|           | 2 1/4          | F3S236E         |                               |  |         |         |       |      |       |       |         |       | 9.25           |
|           | 2 3/8          | F3S238E         |                               |  |         |         |       |      |       |       |         |       | 9.01           |
| 212       | 2 7/16         | F3S239E         | 5 5/8                         | 2 3/32   | 5 7/16  | 1 57/64 | 6 7/8 | 5/8  | 13/64 | 11/16 | 9 9/32  | 21/32 | 8.89           |
|           | 2 15/16        | F3S247E         |                               |  |         |         |       |      |       |       |         |       | 13.19          |

## Additional Notes

- Please call 1-866-REXNORD for availability
- Lubrication fitting tap size: for size code 203, 1/4 in-28 UNF: for all other size codes, 1/8 in PT
- Lip seals standard
- ◆ Available with E1 viton seals for all size codes
- Available with free running style seals, add suffix ● FF, □ HFF or Δ MHFF for all size codes
- Nickel plated housings available, add suffix K75

For the Selection Guide, Load Ratings and Speed Limits, see the Link-Belt Ball Bearing Engineering section  
 Note: Dimensions subject to change. Certified dimensions of ordered material furnished on request.

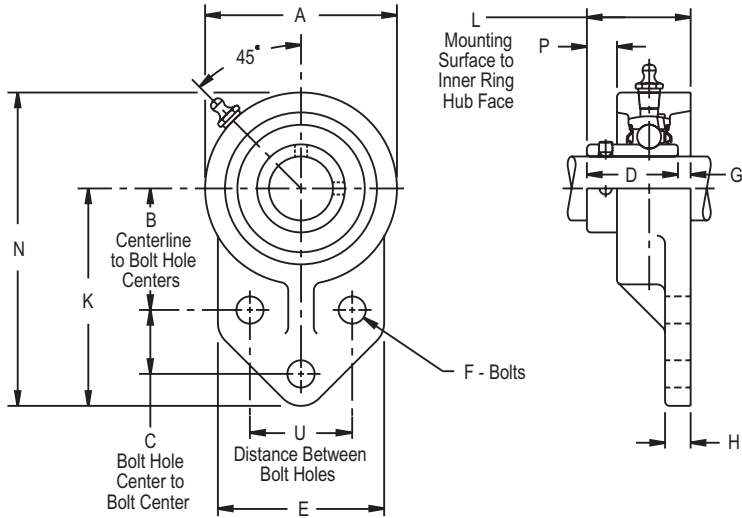
# FB3U200



Photo Shows a 3-Bolt Ball Bearing Flanged Bracket Unit

### Product Features

- Corrosion-resistant powder coating
- Cast iron housing
- Broad range of sealing options
- Wide inner ring for increased shaft stability
- Spring locking setscrew mount
- Alignable & relubricatable
- See Features & Benefits for additional info.



### Bearing Dimensions

| Size Code | Shaft Diameter   | Part Number  | B Centerline to Bolt Hole Centers | C Bolt Hole Center to Bolt Center | L Mounting Surface to Inner Ring Long Hub Face | U Distance Between Bolt Holes | A               | D                 | E               | F             | G              | H              | K               | N               | P               | Approx. Weight |
|-----------|------------------|--------------|-----------------------------------|-----------------------------------|--|-------------------------------|-----------------|-------------------|-----------------|---------------|----------------|----------------|-----------------|-----------------|-----------------|----------------|
| 204       | $\frac{3}{4}$    | FB3U212N *■  | $1 \frac{11}{16}$                 | $\frac{7}{8}$                     | $1 \frac{11}{32}$                              | $1 \frac{1}{2}$               | $2 \frac{1}{2}$ | $1 \frac{9}{32}$  | $2 \frac{3}{8}$ | $\frac{3}{8}$ | $\frac{1}{16}$ | $\frac{5}{16}$ | 3               | $4 \frac{1}{4}$ | $\frac{11}{32}$ | 1.40           |
|           | 20.00            | FB3U2M20N *■ | 42.90                             | 22.20                             | 34.10  | 38.10                         | 63.50           | 32.50             | 60.30           | 10.00         | 1.60           | 7.90           | 76.20           | 108.00          | 8.70            | 0.63           |
| 205       | $\frac{7}{8}$    | FB3U214N *△  | $1 \frac{13}{16}$                 | $1 \frac{1}{8}$                   | $1 \frac{29}{64}$                              | $1 \frac{5}{8}$               | $2 \frac{3}{4}$ | $1 \frac{23}{64}$ | $2 \frac{1}{2}$ | $\frac{3}{8}$ | $\frac{3}{32}$ | $\frac{3}{8}$  | $3 \frac{3}{8}$ | $4 \frac{3}{4}$ | $\frac{19}{64}$ | 1.90           |
|           | $\frac{15}{16}$  | FB3U215N *△  |                                   |                                   |  |                               |                 |                   |                 |               |                |                |                 |                 |                 |                |
|           | 1                | FB3U216N *△  |                                   |                                   |  |                               |                 |                   |                 |               |                |                |                 |                 |                 |                |
| 206       | 25.00            | FB3U2M25N *△ | 46.00                             | 28.60                             | 38.90  | 41.30                         | 69.80           | 34.53             | 63.50           | 10.00         | 2.40           | 9.50           | 85.70           | 120.60          | 7.50            | 0.86           |
|           | $1 \frac{1}{8}$  | FB3U218N *■  | $2 \frac{1}{16}$                  | $1 \frac{1}{4}$                   | $1 \frac{5}{8}$                                | $1 \frac{7}{8}$               | $3 \frac{1}{4}$ | $1 \frac{9}{16}$  | $2 \frac{3}{4}$ | $\frac{3}{8}$ | $\frac{1}{16}$ | $\frac{3}{8}$  | $3 \frac{3}{4}$ | $5 \frac{3}{8}$ | $\frac{3}{8}$   | 2.50           |
|           | $1 \frac{3}{16}$ | FB3U219N *■  |                                   |                                   |  |                               |                 |                   |                 |               |                |                |                 |                 |                 |                |
|           | $1 \frac{1}{4}$  | FB3U2E20N *■ |                                   |                                   |  |                               |                 |                   |                 |               |                |                |                 |                 |                 |                |
| 30.00     | FB3U2M30N *■     | 52.30        | 31.80                             | 43.70                             | 47.60  | 82.60                         | 39.69           | 69.80             | 10.00           | 1.60          | 9.50           | 95.20          | 136.50          | 9.50            | 1.13            |                |
| 207       | $1 \frac{1}{4}$  | FB3U220N *△  | $2 \frac{3}{8}$                   | $1 \frac{1}{4}$                   | $1 \frac{59}{64}$                              | 2                             | $3 \frac{3}{4}$ | $1 \frac{49}{64}$ | $3 \frac{1}{4}$ | $\frac{1}{2}$ | $\frac{5}{32}$ | $\frac{1}{2}$  | $4 \frac{1}{4}$ | $6 \frac{1}{8}$ | $\frac{31}{64}$ | 3.40           |
|           | $1 \frac{3}{8}$  | FB3U222N *△  |                                   |                                   |  |                               |                 |                   |                 |               |                |                |                 |                 |                 |                |
|           | $1 \frac{7}{16}$ | FB3U223N *△  |                                   |                                   |  |                               |                 |                   |                 |               |                |                |                 |                 |                 |                |
|           | 35.00            | FB3U2M35N *△ | 60.30                             | 31.80                             | 48.80  | 50.80                         | 95.20           | 44.85             | 82.60           | 12.00         | 4.00           | 12.70          | 108.00          | 155.60          | 12.30           | 1.53           |

### Additional Notes

- Please call 1-866-REXNORD for availability
- Lubrication fitting tap size, 1/4 in-28 UNF
- \* N lip seals standard
- Available with H labyrinth seals
- △ Available with E3 triple lip seals
- Nickel plated housings available, add suffix K75
- For the Selection Guide, Load Ratings and Speed Limits, see the Link-Belt 200 Series Ball Bearing Engineering section

Note: Dimensions subject to change. Certified dimensions of ordered material furnished on request.

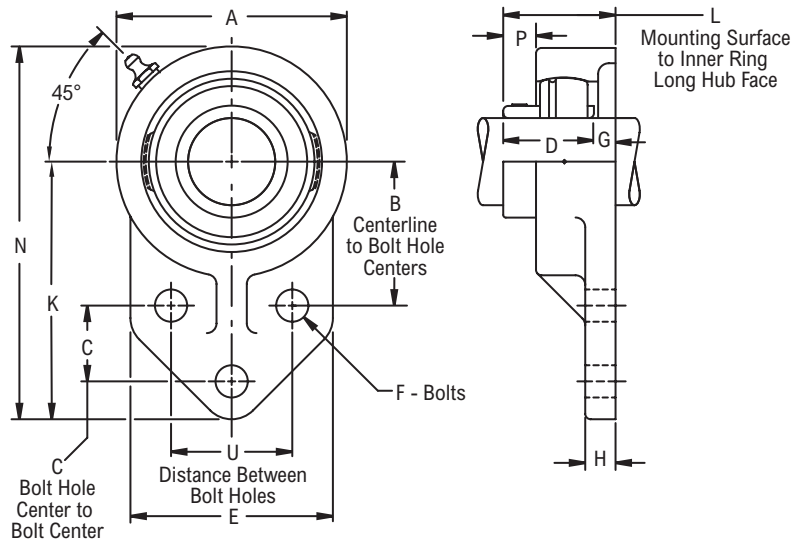
# FB3S200



Photo Shows a 3-Bolt Ball Bearing Flanged Bracket Unit

## Product Features

- Corrosion-resistant powder coating
- Cast iron housing
- Broad range of sealing options
- Spring locking setscrew mount
- Alignable & relubricatable
- See Features & Benefits for additional info.



## Bearing Dimensions

| Size Code | Shaft Diameter   | Part Number | B<br>Centerline<br>to Bolt Hole<br>Centers | C<br>Bolt Hole<br>Center to<br>Bolt Center | L<br>Mounting Surface<br>to Inner Ring<br>Long Hub Face | U<br>Distance<br>Between<br>Bolt Holes | A               | D                 | E                 | F             | G               | H              | K               | N               | P               | Approx.<br>Weight |       |
|-----------|------------------|-------------|--|--|---|--|-----------------|-------------------|-------------------|---------------|-----------------|----------------|-----------------|-----------------|-----------------|-------------------|-------|
| 204       | $\frac{3}{4}$    | FB3S212E    | $1 \frac{11}{16}$                          | $\frac{7}{8}$                              | $1 \frac{3}{8}$   | $1 \frac{1}{2}$                        | $2 \frac{1}{2}$ | $1 \frac{1}{8}$   | $2 \frac{3}{8}$   | $\frac{3}{8}$ | $\frac{1}{4}$   | $\frac{5}{16}$ | 3               | $4 \frac{1}{4}$ | $\frac{25}{64}$ | 1.44              |       |
|           | 20.00            | FB3S2M20E   | 42.90                                      | 22.20                                      | 34.90   | 38.10                                  | 63.50           | 28.58             | 60.30             | 10.00         | 6.40            | 7.90           | 76.20           | 108.00          | 9.90            | 0.60              |       |
| 205       | $\frac{7}{8}$    | FB3S214E    | $1 \frac{13}{16}$                          | $1 \frac{1}{8}$                            | $1 \frac{17}{32}$                                       | $1 \frac{5}{8}$                        | $2 \frac{3}{4}$ | $1 \frac{11}{64}$ | $2 \frac{1}{2}$   | $\frac{3}{8}$ | $\frac{23}{64}$ | $\frac{3}{8}$  | $3 \frac{3}{8}$ | $4 \frac{3}{4}$ | $\frac{27}{64}$ | 1.80              |       |
|           | $\frac{15}{16}$  | FB3S215E    |  |  |   |  |                 |                   |                   |               |                 |                |                 |                 |                 |                   |       |
|           | 1                | FB3S26E     | 25.00                                      | FB3S2M25E                                  | 46.00   | 28.60                                  | 38.90           | 41.30             | 69.80             | 29.77         | 63.50           | 10.00          | 9.10            | 9.50            | 85.70           | 120.60            | 10.70 |
| 206       | $1 \frac{1}{8}$  | FB3S218E    | $2 \frac{1}{16}$                           | $1 \frac{1}{4}$                            | $1 \frac{43}{64}$                                       | $1 \frac{7}{8}$                        | $3 \frac{1}{4}$ | $1 \frac{11}{32}$ | $2 \frac{3}{4}$   | $\frac{3}{8}$ | $\frac{17}{64}$ | $\frac{3}{8}$  | $3 \frac{3}{4}$ | $5 \frac{3}{8}$ | $\frac{35}{64}$ | 2.10              |       |
|           | $1 \frac{3}{16}$ | FB3S219E    |  |  |   |  |                 |                   |                   |               |                 |                |                 |                 |                 |                   |       |
|           | $1 \frac{1}{4}$  | FB3S2E20E   |  |  |   |  |                 |                   |                   |               |                 |                |                 |                 |                 |                   | 30.00 |
| 207       | $1 \frac{1}{4}$  | FB3S220E    | $2 \frac{3}{8}$                            | $1 \frac{1}{4}$                            | $1 \frac{61}{64}$                                       | 2                                      | $3 \frac{3}{4}$ | $1 \frac{9}{16}$  | $3 \frac{11}{32}$ | $\frac{1}{2}$ | $\frac{25}{64}$ | $\frac{1}{2}$  | $4 \frac{1}{4}$ | $6 \frac{1}{8}$ | $\frac{41}{64}$ | 3.45              |       |
|           | $1 \frac{3}{8}$  | FB3S222E    |  |  |   |  |                 |                   |                   |               |                 |                |                 |                 |                 |                   |       |
|           | $1 \frac{7}{16}$ | FB3S223E    |  |  |   |  |                 |                   |                   |               |                 |                |                 |                 |                 |                   | 35.00 |

## Additional Notes

- Please call 1-866-REXNORD for availability
- Lubrication fitting tap size: for size codes 204 thru 205, 1/4-28 UNF: for all other size codes, 1/8 in PT
- Lip seals standard
- ◆ Available with E1 viton seals
- Available with free running style seals, add suffix ● FF, □ HFF or Δ MHFF
- Nickel plated housings available, add suffix K75

For the Selection Guide, Load Ratings and Speed Limits, see the Link-Belt Ball Bearing Engineering section  
 Note: Dimensions subject to change. Certified dimensions of ordered material furnished on request.

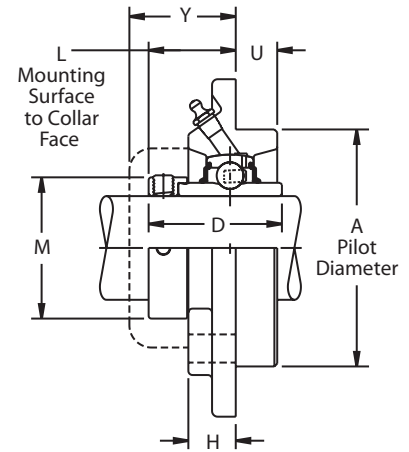
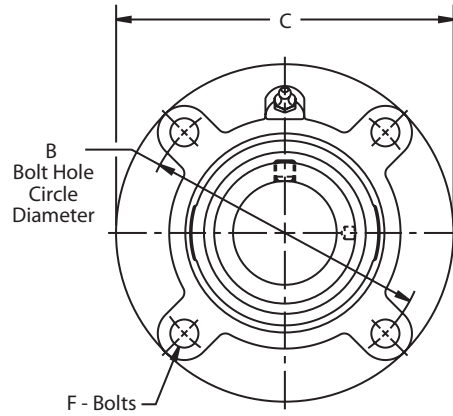
## FC3Y200



Photo Shows a 4-Bolt Ball Bearing Flanged Cartridge Unit

### Product Features

- Corrosion-resistant powder coating
- Cast iron housing
- Broad range of sealing options
- Wide inner ring for increased shaft stability
- Eccentric cam locking device
- Alignable & relubricatable
- See Features & Benefits for additional info.



### Bearing Dimensions

| Size Code | Shaft Diameter | Part Number | A Pilot Diameter | B Bolt Hole Circle Diameter | L Mounting Surface to Collar Face | C     | D       | F    | H      | M      | U     | Y       | Approx. Weight |
|-----------|----------------|-------------|------------------|-----------------------------|-----------------------------------|-------|---------|------|--------|--------|-------|---------|----------------|
| 205       | 7/8            | FC3Y214N *Δ | 3.000            | 3 5/8                       | 1 1/8                             | 4 3/8 | 1 3/4   | 3/8  | 5/8    | 1 1/2  | 1/2   | 1 7/16  | 3.10           |
|           | 15/16          | FC3Y215N *Δ |                  |                             |                                   |       |         |      |        |        |       |         |                |
|           | 1              | FC3Y216N *Δ |                  |                             |                                   |       |         |      |        |        |       |         |                |
| 206       | 1 1/8          | FC3Y218N *■ | 3.375            | 4 1/8                       | 1 3/8                             | 5     | 1 29/32 | 7/16 | 13/16  | 1 3/4  | 27/64 | 1 23/32 | 4.60           |
|           | 1 3/16         | FC3Y219N *■ |                  |                             |                                   |       |         |      |        |        |       |         |                |
|           | 1 1/4          | FC3Y220N *Δ |                  |                             |                                   |       |         |      |        |        |       |         |                |
| 207       | 1 1/4          | FC3Y222N *Δ | 3.625            | 4 3/8                       | 1 21/32                           | 5 1/4 | 2 1/64  | 7/16 | 1 1/16 | 2 3/16 | 15/32 | 2       | 4.90           |
|           | 1 3/8          | FC3Y223N *Δ |                  |                             |                                   |       |         |      |        |        |       |         |                |
|           | 1 7/16         | FC3Y224N *Δ |                  |                             |                                   |       |         |      |        |        |       |         |                |
| 208       | 1 1/2          | FC3Y224N *Δ | 3.625            | 4 3/8                       | 1 49/64                           | 5 1/4 | 2 7/32  | 7/16 | 1 1/32 | 2 3/8  | 15/32 | 2 1/16  | 4.60           |
|           | 1 5/8          | FC3Y226N *Δ |                  |                             |                                   |       |         |      |        |        |       |         |                |
|           | 1 11/16        | FC3Y227N *Δ |                  |                             |                                   |       |         |      |        |        |       |         |                |
| 209       | 1 3/4          | FC3Y228N *Δ | 4.250            | 5 1/8                       | 1 45/64                           | 6 1/8 | 2 7/32  | 1/2  | 1 1/16 | 2 1/2  | 15/32 | 2 5/64  | 6.60           |
|           | 1 15/16        | FC3Y231N *Δ |                  |                             |                                   |       |         |      |        |        |       |         |                |
|           | 2              | FC4Y232N *Δ |                  |                             |                                   |       |         |      |        |        |       |         |                |
| 211A      | 2              | FC4Y232N *Δ | 4.500            | 5 3/8                       | 1 31/32                           | 6 3/8 | 2 13/16 | 1/2  | 1 1/32 | 3      | 5/8   | 2 17/64 | 7.20           |
|           | 2              | FC3Y232N *Δ |                  |                             |                                   |       |         |      |        |        |       |         |                |
|           | 2 3/16         | FC3Y235N *Δ |                  |                             |                                   |       |         |      |        |        |       |         |                |
| 211B      | 2 1/4          | FC3Y236N *Δ | 5.000            | 6                           | 1 27/32                           | 7 1/8 | 2 13/16 | 9/16 | 1      | 3      | 7/8   | 2 1/8   | 11.00          |
|           | 2 3/8          | FC3Y238N *Δ |                  |                             |                                   |       |         |      |        |        |       |         |                |
|           | 2 7/16         | FC3Y239N *Δ |                  |                             |                                   |       |         |      |        |        |       |         |                |
|           | 2 1/2          | FC3Y239N *Δ |                  |                             |                                   |       |         |      |        |        |       |         |                |

### Additional Notes

- Please call 1-866-REXNORD for availability
- Lubrication fitting tap size: for size codes 206 and below, 1/4 in-28 UNF; for all other size codes, 1/8 in PT
- Pilot Diameter tolerance, +.000 in/-0.002 in (+0.00 mm/-0.05 mm)
- Bore tolerance for mounting, +.002 in/-0.000 in (+0.05 mm/-0.00 mm)
- \* N lip seals standard
- Available with H labyrinth seals
- Δ Available with E3 triple lip seals

For the Selection Guide, Load Ratings and Speed Limits, see the Link-Belt 200 Series Ball Bearing Engineering section  
 Note: Dimensions subject to change. Certified dimensions of ordered material furnished on request.

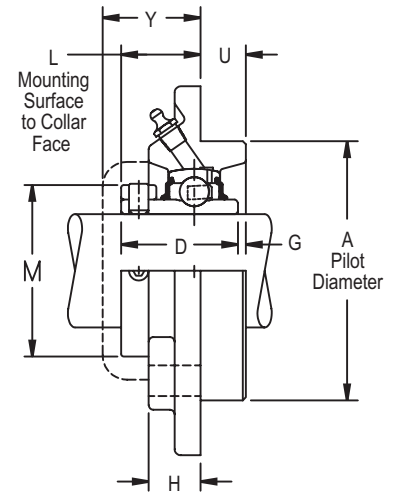
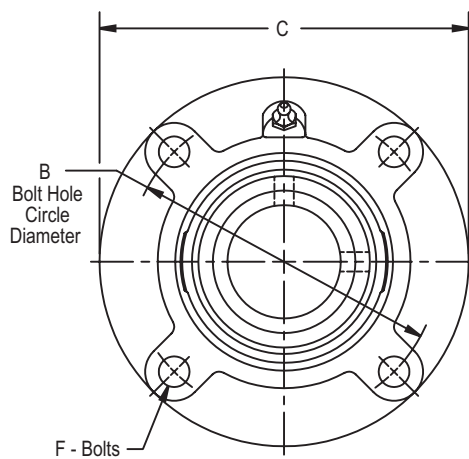
# FC3U200



Photo Shows a 4-Bolt Ball Bearing Flanged Cartridge Unit

## Product Features

- Corrosion-resistant powder coating
- Cast iron housing
- Broad range of sealing options
- Wide inner ring for increased shaft stability
- Spring locking setscrew mount
- Alignable & relubricatable
- See Features & Benefits for additional info.



## Bearing Dimensions

| Size Code | Shaft Diameter   | Part Number         | A Pilot Diameter | B Bolt Hole Circle Diameter | L Mounting Surface to Collar Face | C              | D                | F              | G               | H                | M               | U               | Y                | Approx. Weight |
|-----------|------------------|---------------------|------------------|-----------------------------|-----------------------------------|----------------|------------------|----------------|-----------------|------------------|-----------------|-----------------|------------------|----------------|
| 205       | $\frac{7}{8}$    | FC3U214N* $\Delta$  | 3.000            | $3\frac{5}{8}$              | $\frac{55}{64}$                   | $4\frac{3}{8}$ | $1\frac{23}{64}$ | $\frac{3}{8}$  | -               | $\frac{5}{8}$    | -               | $\frac{1}{2}$   | $1\frac{7}{16}$  | 3.00           |
|           | $\frac{15}{16}$  | FC3U215N* $\Delta$  |                  |                             |                                   |                |                  |                |                 |                  |                 |                 |                  |                |
|           | 1                | FC3U216N* $\Delta$  |                  |                             |                                   |                |                  |                |                 |                  |                 |                 |                  |                |
|           | 25.00            | FC3U2M25N* $\Delta$ |                  |                             |                                   |                |                  |                |                 |                  |                 |                 |                  |                |
| 206       | $1\frac{1}{8}$   | FC3U218N* $\Delta$  | 3.375            | $4\frac{1}{8}$              | $1\frac{9}{64}$                   | 5              | $1\frac{9}{16}$  | $\frac{7}{16}$ | -               | $\frac{13}{16}$  | -               | $\frac{27}{64}$ | $1\frac{23}{32}$ | 4.50           |
|           | $1\frac{3}{16}$  | FC3U219N* $\Delta$  |                  |                             |                                   |                |                  |                |                 |                  |                 |                 |                  |                |
|           | $1\frac{1}{4}$   | FC3U2E20N* $\Delta$ |                  |                             |                                   |                |                  |                |                 |                  |                 |                 |                  |                |
|           | 30.00            | FC3U2M30N* $\Delta$ |                  |                             |                                   |                |                  |                |                 |                  |                 |                 |                  |                |
| 207       | $1\frac{1}{4}$   | FC3U220N* $\Delta$  | 3.625            | $4\frac{3}{8}$              | $1\frac{31}{64}$                  | $5\frac{1}{4}$ | $1\frac{49}{64}$ | $\frac{7}{16}$ | $\frac{3}{16}$  | $1\frac{1}{16}$  | -               | $\frac{15}{32}$ | 2                | 4.60           |
|           | $1\frac{3}{8}$   | FC3U222N* $\Delta$  |                  |                             |                                   |                |                  |                |                 |                  |                 |                 |                  |                |
|           | $1\frac{7}{16}$  | FC3U223N* $\Delta$  |                  |                             |                                   |                |                  |                |                 |                  |                 |                 |                  |                |
|           | 35.00            | FC3U2M35N* $\Delta$ |                  |                             |                                   |                |                  |                |                 |                  |                 |                 |                  |                |
| 208       | $1\frac{1}{2}$   | FC3U224N* $\Delta$  | 3.625            | $4\frac{3}{8}$              | $1\frac{15}{32}$                  | $5\frac{1}{4}$ | $1\frac{29}{32}$ | $\frac{7}{16}$ | $\frac{1}{32}$  | $1\frac{1}{32}$  | -               | $\frac{15}{32}$ | $2\frac{1}{16}$  | 4.30           |
|           | 40.00            | FC3U2M40N* $\Delta$ |                  |                             |                                   |                |                  |                |                 |                  |                 |                 |                  |                |
| 209       | $1\frac{5}{8}$   | FC3U226N* $\Delta$  | 4.250            | $5\frac{1}{8}$              | $1\frac{9}{16}$                   | $6\frac{1}{8}$ | $2\frac{1}{32}$  | $\frac{1}{2}$  | -               | $1\frac{1}{16}$  | -               | $\frac{15}{32}$ | $2\frac{3}{64}$  | 6.30           |
|           | $1\frac{11}{16}$ | FC3U227N* $\Delta$  |                  |                             |                                   |                |                  |                |                 |                  |                 |                 |                  |                |
|           | $1\frac{3}{4}$   | FC3U228N* $\Delta$  |                  |                             |                                   |                |                  |                |                 |                  |                 |                 |                  |                |
|           | 45.00            | FC3U2M45N* $\Delta$ |                  |                             |                                   |                |                  |                |                 |                  |                 |                 |                  |                |
| 210       | $1\frac{15}{16}$ | FC3U231N* $\Delta$  | 4.500            | $5\frac{3}{8}$              | $1\frac{41}{64}$                  | $6\frac{3}{8}$ | $2\frac{3}{32}$  | $\frac{1}{2}$  | $\frac{11}{64}$ | $1\frac{13}{64}$ | -               | $\frac{5}{8}$   | $2\frac{1}{4}$   | 7.40           |
|           | 50.00            | FC3U2M50N* $\Delta$ |                  |                             |                                   |                |                  |                |                 |                  |                 |                 |                  |                |
| 211A      | 2                | FC4U232N* $\Delta$  | 4.500            | $5\frac{3}{8}$              | $1\frac{21}{32}$                  | $6\frac{3}{8}$ | $2\frac{1}{4}$   | $\frac{1}{2}$  | $\frac{1}{32}$  | $1\frac{1}{32}$  | -               | $\frac{5}{8}$   | $2\frac{17}{64}$ | 7.70           |
|           | 55.00            | FC4U2M55N* $\Delta$ |                  |                             |                                   |                |                  |                |                 |                  |                 |                 |                  |                |
| 211B      | 2                | FC3U232N* $\Delta$  | 5.000            | 6                           | $1\frac{17}{32}$                  | $7\frac{1}{8}$ | $2\frac{1}{4}$   | $\frac{9}{16}$ | $\frac{5}{32}$  | 1                | -               | $\frac{7}{8}$   | $2\frac{1}{8}$   | 9.90           |
|           | $2\frac{3}{16}$  | FC3U235N* $\Delta$  |                  |                             |                                   |                |                  |                |                 |                  |                 |                 |                  |                |
|           | 55.00            | FC3U2M55N* $\Delta$ |                  |                             |                                   |                |                  |                |                 |                  |                 |                 |                  |                |
| 212       | $2\frac{1}{4}$   | FC3U236N* $\Delta$  | 5.500            | $6\frac{1}{2}$              | $1\frac{5}{8}$                    | $7\frac{5}{8}$ | $2\frac{1}{2}$   | $\frac{9}{16}$ | -               | 1                | -               | $\frac{7}{8}$   | $2\frac{11}{64}$ | 12.00          |
|           | $2\frac{3}{8}$   | FC3U238N* $\Delta$  |                  |                             |                                   |                |                  |                |                 |                  |                 |                 |                  |                |
|           | $2\frac{7}{16}$  | FC3U239N* $\Delta$  |                  |                             |                                   |                |                  |                |                 |                  |                 |                 |                  |                |
|           | 60.00            | FC3U2M60N* $\Delta$ |                  |                             |                                   |                |                  |                |                 |                  |                 |                 |                  |                |
| 213       | $2\frac{1}{2}$   | FC3U240N* $\Delta$  | 6.375            | $7\frac{1}{2}$              | $1\frac{13}{16}$                  | $8\frac{3}{4}$ | $2\frac{11}{16}$ | $\frac{5}{8}$  | $\frac{3}{16}$  | $1\frac{3}{16}$  | $4\frac{3}{16}$ | $1\frac{1}{16}$ | $2\frac{3}{16}$  | 17.00          |
|           | $2\frac{11}{16}$ | FC3U243N* $\Delta$  |                  |                             |                                   |                |                  |                |                 |                  |                 |                 |                  |                |
|           | 65.00            | FC3U2M65N* $\Delta$ | 161.920          | 190.50                      | 46.00                             | 222.20         | 68.26            | 16.00          | 4.80            | 30.20            | 106.40          | 27.00           | 55.60            | 7.65           |
| 215       | $2\frac{3}{4}$   | FC3U244N* $\Delta$  | 6.375            | $7\frac{1}{2}$              | $1\frac{13}{16}$                  | $8\frac{3}{4}$ | $2\frac{7}{8}$   | $\frac{5}{8}$  | $\frac{3}{16}$  | $1\frac{1}{16}$  | $4\frac{5}{8}$  | $1\frac{1}{4}$  | $2\frac{7}{32}$  | 17.70          |
|           | $2\frac{15}{16}$ | FC3U247N* $\Delta$  |                  |                             |                                   |                |                  |                |                 |                  |                 |                 |                  |                |

Continued...

Continued...

**Bearing Dimensions**

| Size Code | Shaft Diameter | Part Number | A Pilot Diameter | B Bolt Hole Circle Diameter | L Mounting Surface to Collar Face | C      | D      | F     | G    | H      | M       | U      | Y       | Approx. Weight |
|-----------|----------------|-------------|------------------|-----------------------------|-----------------------------------|--------|--------|-------|------|--------|---------|--------|---------|----------------|
| 215       | 3              | FC3U2E48N*Δ | 6.375            | 7 1/2                       | 1 13/16                           | 8 3/4  | 2 7/8  | 5/8   | 3/16 | 1 1/16 | 4 5/8   | 1 1/4  | 2 7/32  | 17.70          |
|           | 75.00          | FC3U2M75N*Δ | 161.920          | 190.50                      | 46.00                             | 222.20 | 73.02  | 16.00 | 4.80 | 27.00  | 117.50  | 31.80  | 56.40   | 8.00           |
| 217       | 3 7/16         | FC3U255N*Δ  | 7.375            | 8 5/8                       | 2 13/32                           | 10 1/4 | 3 9/16 | 3/4   | -    | 1 5/8  | 5 3/16  | 1 5/32 | 2 25/32 | 34.00          |
|           | 3 1/2          | FC3U2E56N*Δ |                  |                             |                                   |        |        |       |      |        |         |        |         |                |
|           | 85.00          | FC3U2M85N*Δ | 187.320          | 219.08                      | 61.10                             | 260.40 | 90.49  | 20.00 | -    | 41.30  | 131.80  | 29.40  | 70.60   | 15.30          |
|           | 3 15/16        | FC3U263N*   | 8.120            | 9 3/8                       | 3 1/8                             | 10 7/8 | 4 1/4  | 3/4   | -    | 2 1/8  | 5 15/16 | 1 1/8  | 3 9/16  | 41.80          |
| 4         | FC3U2E64N*     |             |                  |                             |                                   |        |        |       |      |        |         |        |         |                |
|           | 100.00         | FC3U2M100N* | 206.250          | 238.12                      | 79.40                             | 276.20 | 107.95 | 20.00 | -    | 54.00  | 150.80  | 28.60  | 90.50   | 18.80          |

**Additional Notes**

- Please call 1-866-REXNORD for availability
- Lubrication fitting tap size: for size codes 206 and below, 1/4 in-28 UNF; for all other size codes, 1/8 in PT
- Pilot Diameter tolerance, +.000 in/-.002 in (+0.00 mm/-0.05 mm)
- Bore tolerance for mounting, +.002 in/-.000 in (+0.05 mm/-0.00 mm)
- Size codes 203 to 212 don't have mounting collars
- \* N lip seals standard
- Available with H labyrinth seals

- Δ Available with E3 triple lip seals
- For the Selection Guide, Load Ratings and Speed Limits, see the Link-Belt 200 Series Ball Bearing Engineering section
- Note: Dimensions subject to change. Certified dimensions of ordered material furnished on request.

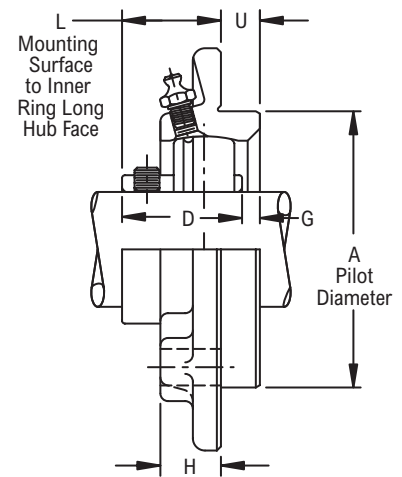
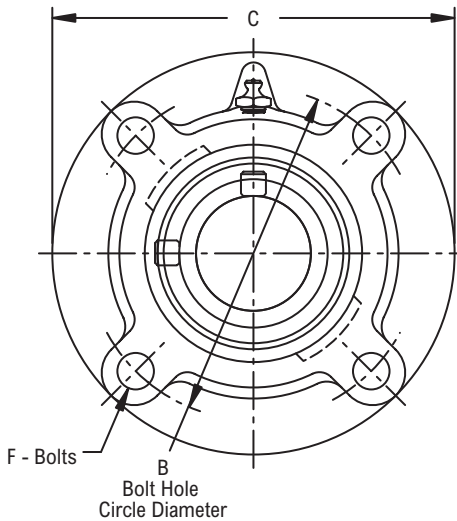
# FC3S200



Photo Shows a 4-Bolt Ball Bearing Flanged Cartridge Unit

## Product Features

- Corrosion-resistant powder coating
- Cast iron housing
- Broad range of sealing options
- Spring locking setscrew mount
- Alignable & relubricatable
- See Features & Benefits for additional info.



## Bearing Dimensions

| Size Code | Shaft Diameter | Part Number | A Pilot Diameter | B Bolt Hole Circle Diameter | L Mounting Surface to Inner Ring Long Hub Face | C      | D       | F     | G     | H     | U     | Approx. Weight |
|-----------|----------------|-------------|------------------|-----------------------------|--|--------|---------|-------|-------|-------|-------|----------------|
| 207       | 1 1/4          | FC3S220E    | 3.375            | 4 1/8                       | 1 33/64  | 5      | 1 9/16  | 7/16  | 17/64 | 7/8   | 3/8   | 3.13           |
|           | 1 3/8          | FC3S222E    |                  |                             |  |        |         |       |       |       |       | 3.03           |
|           | 1 7/16         | FC3S223E    |                  |                             |  |        |         |       |       |       |       | 2.97           |
|           | 35.00          | FC3S2M35E   | 85.720           | 104.78                      | 38.50  | 127.00 | 39.67   | 10.00 | 6.80  | 22.20 | 9.50  | 1.40           |
| 208       | 1 1/2          | FC3S224E    | 3.625            | 4 3/8                       | 1 17/32  | 5 1/4  | 1 21/32 | 7/16  | 1/4   | 7/8   | 7/16  | 3.63           |
|           | 1 5/8          | FC3S2E26E   |                  |                             |  |        |         |       |       |       |       | 3.49           |
|           | 40.00          | FC3S2M40E   |                  |                             |  |        |         |       |       |       |       | 92.080         |
| 209       | 1 5/8          | FC3S226E    | 3.625            | 4 3/8                       | 1 37/64  | 5 1/4  | 1 49/64 | 7/16  | 3/16  | 7/8   | 7/16  | 3.76           |
|           | 1 11/16        | FC3S227E    |                  |                             |  |        |         |       |       |       |       | 3.66           |
|           | 1 3/4          | FC3S228E    |                  |                             |  |        |         |       |       |       |       | 3.59           |
| 210       | 1 7/8          | FC3S230E    | 4.250            | 5 1/8                       | 1 19/32  | 6 1/8  | 1 13/16 | 1/2   | 13/64 | 7/8   | 15/32 | 4.97           |
|           | 1 15/16        | FC3S231E    |                  |                             |  |        |         |       |       |       |       | 4.88           |
|           | 2              | FC3S2E32E   |                  |                             |  |        |         |       |       |       |       | 4.79           |
| 211       | 2              | FC3S232E    | 4.500            | 5 3/8                       | 1 35/64  | 6 3/8  | 1 13/16 | 1/2   | 19/64 | 7/8   | 5/8   | 5.87           |
|           | 2 3/16         | FC3S235E    |                  |                             |  |        |         |       |       |       |       | 5.57           |
|           | 2 1/4          | FC3S2E36E   |                  |                             |  |        |         |       |       |       |       | 5.47           |
| 212       | 2 1/4          | FC3S236E    | 5.000            | 6                           | 1 11/16  | 7 1/8  | 1 57/64 | 9/16  | 37/64 | 1     | 7/8   | 8.40           |
|           | 2 3/8          | FC3S238E    |                  |                             |  |        |         |       |       |       |       | 8.16           |
|           | 2 7/16         | FC3S239E    |                  |                             |  |        |         |       |       |       |       | 8.04           |
| 215       | 2 15/16        | FC3S247E    | 6.375            | 7 1/2                       | 1 23/32  | 8 3/4  | 2 17/64 | 5/8   | 25/64 | 1     | 1     | 13.44          |

## Additional Notes

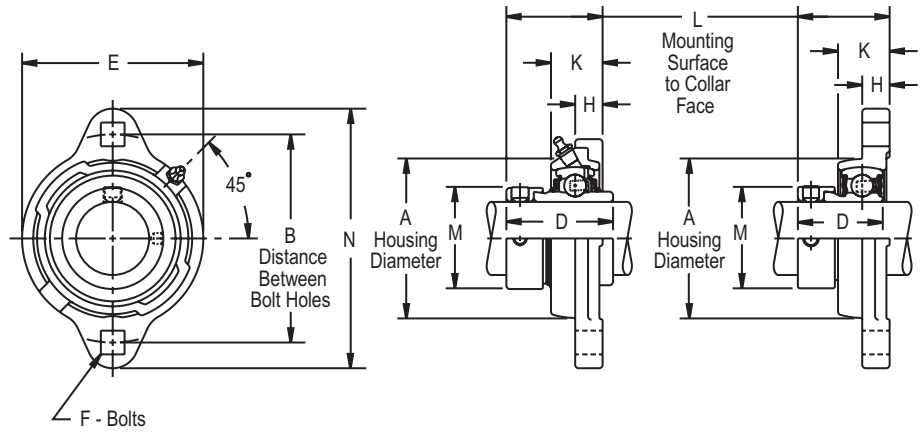
- Please call 1-866-REXNORD for availability
- Lubrication fitting tap size, 1/8 in PT
- Pilot Diameter tolerance, +.000 in/- .002 in (+0.00 mm/-0.05 mm)
- Bore tolerance for mounting, +.002 in/- .000 in (+0.05 mm/-0.00 mm)
- Lip seals standard
- ◆ Available with E1 viton seals for all size codes

Available with free running style seals, add suffix ● FF, □ HFF or Δ MHFF for all size codes  
 For the Selection Guide, Load Ratings and Speed Limits, see the Link-Belt Ball Bearing Engineering section  
 Note: Dimensions subject to change. Certified dimensions of ordered material furnished on request.

## FXYG200, FXYG200



Photo Shows a 2-Bolt Ball Bearing Flanged Unit with High Test Iron Housing



### Product Features

- Corrosion-resistant powder coating
- High test iron housing
- Broad range of sealing options
- Wide inner ring for increased shaft stability
- Eccentric cam locking device
- Alignable & optional relubrication feature
- 2-bolt carriage outboard mounting
- See Features & Benefits for additional info.

### Bearing Dimensions

| Size Code | Shaft Diameter | Non-Relubricatable |         | Relubricatable |        | A Housing Diameter | B Distance Between Bolt Holes | L Mounting Surface to Collar Face | D       | F    | H     | K     | M      | N       | Approx. Weight |
|-----------|----------------|--------------------|---------|----------------|--------|--------------------|-------------------------------|-----------------------------------|---------|------|-------|-------|--------|---------|----------------|
|           |                | Part Number        | E       | Part Number    | E      |                    |                               |                                   |         |      |       |       |        |         |                |
| 203       | 1/2            | FXY2B08N *■        | 2 3/16  | FXYG2B08N *■   | 2 3/32 | 1 25/32            | 2 1/2                         | 1 19/64                           | 1 15/32 | 1/4  | 3/8   | 45/64 | 1 1/8  | 3 3/16  | 0.60           |
|           | 5/8            | FXY210N *■         |         | FXYG210N *■    |        |                    |                               |                                   |         |      |       |       |        |         |                |
|           | 11/16          | FXY211N *■         |         | FXYG211N *■    |        |                    |                               |                                   |         |      |       |       |        |         |                |
| 204       | 3/4            | FXY212N *■         | 2 15/32 | FXYG212N *■    | 2 3/8  | 2 1/16             | 2 13/16                       | 1 15/32                           | 1 23/32 | 5/16 | 27/64 | 25/32 | 1 5/16 | 3 9/16  | 0.80           |
|           | 7/8            | FXY214N *Δ         |         | FXYG214N *Δ    |        |                    |                               |                                   |         |      |       |       |        |         |                |
| 205       | 15/16          | FXY215N *Δ         | 2 23/32 | FXYG215N *Δ    | 2 5/8  | 2 9/32             | 3                             | 1 31/64                           | 1 3/4   | 5/16 | 27/64 | 25/32 | 1 1/2  | 3 3/4   | 1.00           |
|           | 1              | FXY216N *Δ         |         | FXYG216N *Δ    |        |                    |                               |                                   |         |      |       |       |        |         |                |
|           | 1 1/8          | FXY218N *■         |         | FXYG218N *■    |        |                    |                               |                                   |         |      |       |       |        |         |                |
| 206       | 1 3/16         | FXY219N *■         | 3 3/32  | FXYG219N *■    | 3 3/32 | 2 23/32            | 3 9/16                        | 1 21/32                           | 1 29/32 | 3/8  | 15/32 | 57/64 | 1 3/4  | 4 7/16  | 1.40           |
|           | 1 1/4          | FXY2E20N *■        |         | FXYG2E20N *■   |        |                    |                               |                                   |         |      |       |       |        |         |                |
|           | 1 1/4          | FXY220N *Δ         |         | FXYG220N *Δ    |        |                    |                               |                                   |         |      |       |       |        |         |                |
| 207       | 1 3/8          | FXY222N *Δ         | 3 1/2   | FXYG222N *Δ    | 3 1/2  | 3 1/8              | 3 15/16                       | 1 25/32                           | 2 1/64  | 3/8  | 1/2   | 15/16 | 2 3/16 | 4 13/16 | 2.00           |
|           | 1 7/16         | FXY223N *Δ         |         | FXYG223N *Δ    |        |                    |                               |                                   |         |      |       |       |        |         |                |

### Additional Notes

- Please call 1-866-REXNORD for availability
- Lubrication fitting tap size: for size codes 204 and below, 10-32 UNF; for all other size codes, 1/4 in-28 UNF
- Loading slots are on mounting face side for non-relubricatable units
- \* N lip seals standard
- Available with H labyrinth seals
- Δ Available with E3 triple lip seals
- For the Selection Guide, Load Ratings and Speed Limits, see the Link-Belt 200 Series Ball Bearing Engineering section

Note: Dimensions subject to change. Certified dimensions of ordered material furnished on request.



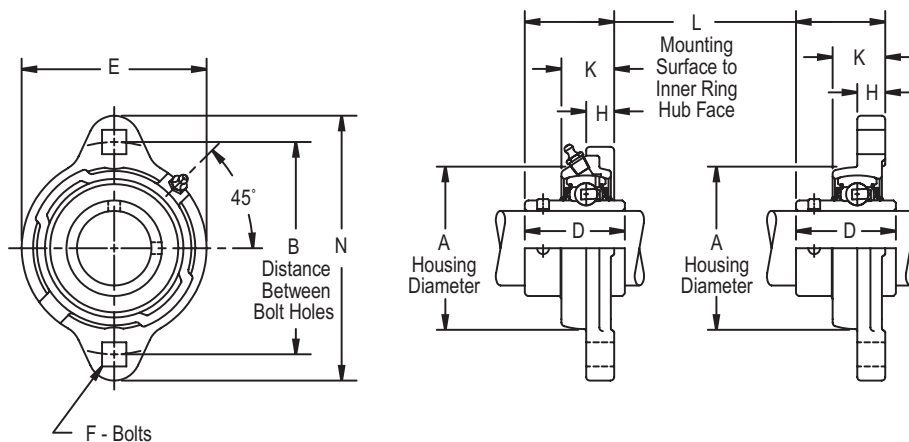
## FXU200, FXUG200



Photo Shows a 2-Bolt Ball Bearing Flanged Unit with High Test Iron Housing

### Product Features

- Corrosion-resistant powder coating
- High test iron housing
- Broad range of sealing options
- Wide inner ring for increased shaft stability
- Spring locking setscrew mount
- Alignable & optional relubrication feature
- 2-bolt carriage outboard mounting
- See Features & Benefits for additional info.



### Bearing Dimensions

| Size Code | Shaft Diameter | Non-Relubricatable |         | Relubricatable |        | A Housing Diameter | B Distance Between Bolt Holes | L Mounting Surface to Inner Ring Hub Face | D       | F    | H     | K     | N       | Approx. Weight |
|-----------|----------------|--------------------|---------|----------------|--------|--------------------|-------------------------------|---|---------|------|-------|-------|---------|----------------|
|           |                | Part Number        | E       | Part Number    | E      |                    |                               |   |         |      |       |       |         |                |
| 203       | 1/2            | FXU2B08N*■         | 2 3/16  | FXUG2B08N*■    | 2 3/32 | 1 25/32            | 2 1/2                         | 1 1/64                                    | 1 3/32  | 1/4  | 3/8   | 45/64 | 3 3/16  | 0.60           |
|           | 5/8            | FXU210N*■          |         | FXUG210N*■     |        |                    |                               |   |         |      |       |       |         |                |
|           | 11/16          | FXU211N*■          |         | FXUG211N*■     |        |                    |                               |   |         |      |       |       |         |                |
| 204       | 3/4            | FXU212N*■          | 2 15/32 | FXUG212N*■     | 2 3/8  | 2 1/16             | 2 13/16                       | 1 11/64                                   | 1 9/32  | 5/16 | 27/64 | 25/32 | 3 9/16  | 0.80           |
|           | 7/8            | FXU214N*Δ■         |         | FXUG214N*Δ■    |        |                    |                               |   |         |      |       |       |         |                |
| 205       | 15/16          | FXU215N*Δ■         | 2 23/32 | FXUG215N*Δ■    | 2 5/8  | 2 9/32             | 3                             | 1 7/32                                    | 1 23/64 | 5/16 | 27/64 | 25/32 | 3 3/4   | 1.00           |
|           | 1              | FXU216N*Δ■         |         | FXUG216N*Δ■    |        |                    |                               |   |         |      |       |       |         |                |
|           | 1 1/8          | FXU218N*■          |         | FXUG218N*■     |        |                    |                               |   |         |      |       |       |         |                |
| 206       | 1 3/16         | FXU219N*■          | 3 3/32  | FXUG219N*■     | 3 3/32 | 2 23/32            | 3 9/16                        | 1 27/64                                   | 1 9/16  | 3/8  | 15/32 | 57/64 | 4 7/16  | 1.40           |
|           | 1 1/4          | FXU2E20N*■         |         | FXUG2E20N*■    |        |                    |                               |   |         |      |       |       |         |                |
|           | 1 1/4          | FXU220N*Δ■         |         | FXUG220N*Δ■    |        |                    |                               |   |         |      |       |       |         |                |
| 207       | 1 3/8          | FXU222N*Δ■         | 3 1/2   | FXUG222N*Δ■    | 3 1/2  | 3 1/8              | 3 15/16                       | 1 39/64                                   | 1 49/64 | 3/8  | 1/2   | 15/16 | 4 13/16 | 2.00           |
|           | 1 7/16         | FXU223N*Δ■         |         | FXUG223N*Δ■    |        |                    |                               |   |         |      |       |       |         |                |

### Additional Notes

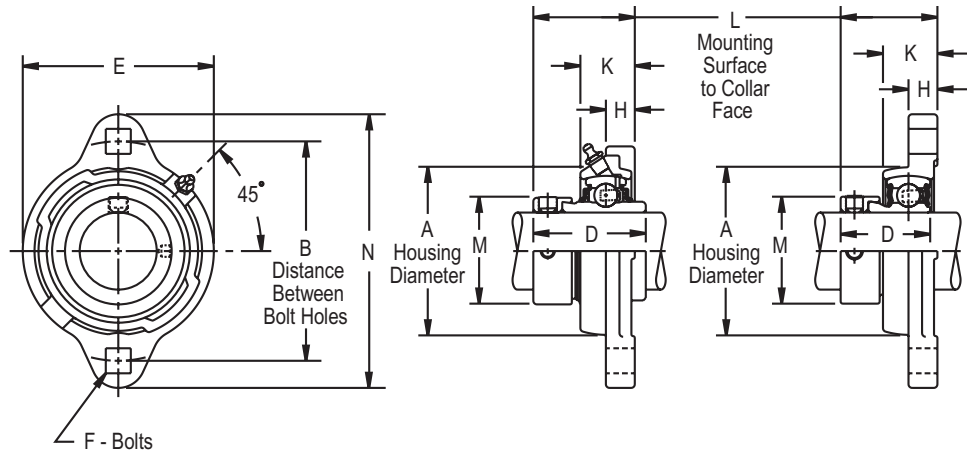
- Please call 1-866-REXNORD for availability
- Lubrication fitting tap size: for size codes 204 and below, 10-32 UNF; for all other size codes, 1/4 in-28 UNF
- Loading slots are on mounting face side for non-relubricatable units
- \* N lip seals standard
- Available with H labyrinth seals
- Δ Available with E3 triple lip seals
- For the Selection Guide, Load Ratings and Speed Limits, see the Link-Belt 200 Series Ball Bearing Engineering section

Note: Dimensions subject to change. Certified dimensions of ordered material furnished on request.

## FXW200, FXWG200



Photo Shows a 2-Bolt Ball Bearing Flanged Unit with High Test Iron Housing



### Product Features

- Corrosion-resistant powder coating
- High test iron housing
- Eccentric cam locking device
- Alignable & optional relubrication feature
- 2-bolt carriage outboard mounting
- See Features & Benefits for additional info.

### Bearing Dimensions

| Size Code | Shaft Diameter | Non-Relubricatable |         | Relubricatable |        | A<br>Housing Diameter | B<br>Distance Between Bolt Holes | L<br>Mounting Surface to Collar Face | D       | F    | H     | K     | M      | N       | Approx. Weight |
|-----------|----------------|--------------------|---------|----------------|--------|-----------------------|----------------------------------|--------------------------------------|---------|------|-------|-------|--------|---------|----------------|
|           |                | Part Number        | E       | Part Number    | E      |                       |                                  |                                      |         |      |       |       |        |         |                |
| 203       | 1/2            | FXW2B08E▲          | 2 3/16  | FXWG2B08E▲     | 2 3/32 | 1 25/32               | 2 1/2                            | 1 1/4                                | 1 1/8   | 1/4  | 3/8   | 45/64 | 1 1/8  | 3 3/16  | 0.50           |
|           | 5/8            | FXW210E▲           |         | FXWG210E▲      |        |                       |                                  |                                      |         |      |       |       |        |         |                |
| 204       | 3/4            | FXW212E▲           | 2 15/32 | FXWG212E▲      | 2 3/8  | 2 1/16                | 2 13/16                          | 1 11/32                              | 1 7/32  | 5/16 | 27/64 | 25/32 | 1 5/16 | 3 9/16  | 0.70           |
|           | 7/8            | FXW214E▲           |         | FXWG214E▲      |        |                       |                                  |                                      |         |      |       |       |        |         |                |
| 205       | 15/16          | FXW215E▲           | 2 23/32 | FXWG215E▲      | 2 5/8  | 2 9/32                | 3                                | 1 11/32                              | 1 7/32  | 5/16 | 27/64 | 25/32 | 1 1/2  | 3 3/4   | 0.80           |
|           | 1              | FXW216E▲           |         | FXWG216E▲      |        |                       |                                  |                                      |         |      |       |       |        |         |                |
|           | 1 1/8          | FXW218E▲           |         | FXWG218E▲      |        |                       |                                  |                                      |         |      |       |       |        |         |                |
| 206       | 1 3/16         | FXW219E▲           | 3 3/32  | FXWG219E▲      | 3 3/32 | 2 23/32               | 3 9/16                           | 1 17/32                              | 1 13/32 | 3/8  | 15/32 | 57/64 | 1 3/4  | 4 7/16  | 1.20           |
|           | 1 1/4          | FXW220E▲           |         | FXWG220E▲      |        |                       |                                  |                                      |         |      |       |       |        |         |                |
|           | 1 1/4          | FXW220E▲           |         | FXWG220E▲      |        |                       |                                  |                                      |         |      |       |       |        |         |                |
| 207       | 1 1/4          | FXW220E▲           | 3 1/2   | FXWG220E▲      | 3 1/2  | 3 1/8                 | 3 15/16                          | 1 21/32                              | 1 17/32 | 3/8  | 1/2   | 15/16 | 2 3/16 | 4 13/16 | 1.80           |
|           | 1 3/8          | FXW222E▲           |         | FXWG222E▲      |        |                       |                                  |                                      |         |      |       |       |        |         |                |
|           | 1 7/16         | FXW223E▲           |         | FXWG223E▲      |        |                       |                                  |                                      |         |      |       |       |        |         |                |

### Additional Notes

- Please call 1-866-REXNORD for availability
- Lubrication fitting tap size: for size codes 204 and below, 10-32 UNF; for all other size codes, 1/4 in-28 UNF
- Loading slots are on mounting face side for non-relubricatable units
- ▲ E lip seals standard
- For the Selection Guide, Load Ratings and Speed Limits, see the Link-Belt 200 Series Ball Bearing Engineering section
- Note: Dimensions subject to change. Certified dimensions of ordered material furnished on request.

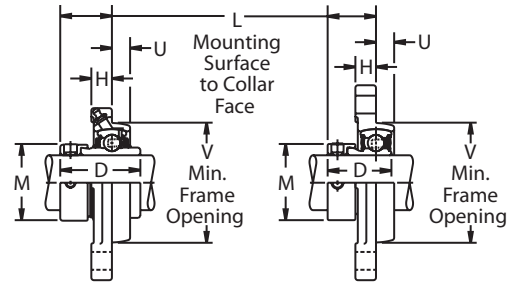
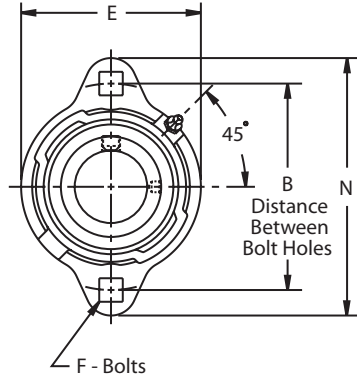
# FXRY200, FXRYG200



Photo Shows a 2-Bolt Ball Bearing Flanged Unit with High Test Iron Housing

## Product Features

- Corrosion-resistant powder coating
- High test iron housing
- Broad range of sealing options
- Wide inner ring for increased shaft stability
- Eccentric cam locking device
- Alignable & optional relubrication feature
- 2-bolt carriage inboard mounting
- See Features & Benefits for additional info.



## Bearing Dimensions

| Size Code | Shaft Diameter | Non-Relubricatable | Relubricatable | B<br>Distance<br>Between<br>Bolt Holes | L<br>Mounting<br>Surface to<br>Collar Face | V<br>Frame<br>Opening | D          | E          | F      | H       | M         | N          | U         | Approx. Weight |
|-----------|----------------|--------------------|----------------|--|--|-----------------------|------------|------------|--------|---------|-----------|------------|-----------|----------------|
|           |                | Part Number        | Part Number    |  |  |                       |            |            |        |         |           |            |           |                |
| 203       | $1/2$          | FXRY2B08N*■        | FXRYG2B08N*■   | $2\ 1/2$                               | $59/64$                                    | $1\ 7/8$              | $1\ 15/32$ | $2\ 3/16$  | $1/4$  | $3/8$   | $1\ 1/8$  | $3\ 3/16$  | $2\ 1/64$ | 0.60           |
|           |                | FXRY210N*■         | FXRYG210N*■    |  |  |                       |            |            |        |         |           |            |           |                |
| 204       | $5/8$          | FXRY211N*■         | FXRYG211N*■    | $2\ 13/16$                             | $1\ 3/64$                                  | $2\ 5/32$             | $1\ 23/32$ | $2\ 15/32$ | $5/16$ | $27/64$ | $1\ 5/16$ | $3\ 9/16$  | $23/64$   | 0.80           |
|           |                | FXRY212N*■         | FXRYG212N*■    |  |  |                       |            |            |        |         |           |            |           |                |
| 205       | $3/4$          | FXRY214N*Δ         | FXRYG214N*Δ    | 3                                      | $1\ 1/16$                                  | $2\ 3/8$              | $1\ 3/4$   | $2\ 23/32$ | $5/16$ | $27/64$ | $1\ 1/2$  | $3\ 3/4$   | $23/64$   | 1.00           |
|           |                | FXRY215N*Δ         | FXRYG215N*Δ    |  |  |                       |            |            |        |         |           |            |           |                |
|           |                | FXRY216N*Δ         | FXRYG216N*Δ    |  |  |                       |            |            |        |         |           |            |           |                |
| 206       | $7/8$          | FXRY218N*■         | FXRYG218N*■    | $3\ 9/16$                              | $1\ 3/16$                                  | $2\ 13/16$            | $1\ 29/32$ | $3\ 3/32$  | $3/8$  | $15/32$ | $1\ 3/4$  | $4\ 7/16$  | $27/64$   | 1.40           |
|           |                | FXRY219N*■         | FXRYG219N*■    |  |  |                       |            |            |        |         |           |            |           |                |
|           |                | FXRY220N*■         | FXRYG220N*■    |  |  |                       |            |            |        |         |           |            |           |                |
| 207       | $1\ 1/8$       | FXRY222N*Δ         | FXRYG222N*Δ    | $3\ 15/16$                             | $1\ 9/32$                                  | $3\ 7/32$             | $2\ 1/64$  | $3\ 1/2$   | $3/8$  | $1/2$   | $2\ 3/16$ | $4\ 13/16$ | $7/16$    | 2.00           |
|           |                | FXRY223N*Δ         | FXRYG223N*Δ    |  |  |                       |            |            |        |         |           |            |           |                |
|           |                | FXRY224N*Δ         | FXRYG224N*Δ    |  |  |                       |            |            |        |         |           |            |           |                |

## Additional Notes

- Please call 1-866-REXNORD for availability
- Lubrication fitting tap size: for size codes 204 and below, 10-32 UNF: for all other size codes, 1/4 in-28 UNF
- Short shank square neck carriage bolt is not recommended
- \* N lip seals standard
- Available with H labyrinth seals
- Δ Available with E3 triple lip seals
- For the Selection Guide, Load Ratings and Speed Limits, see the Link-Belt 200 Series Ball Bearing Engineering section

Note: Dimensions subject to change. Certified dimensions of ordered material furnished on request.

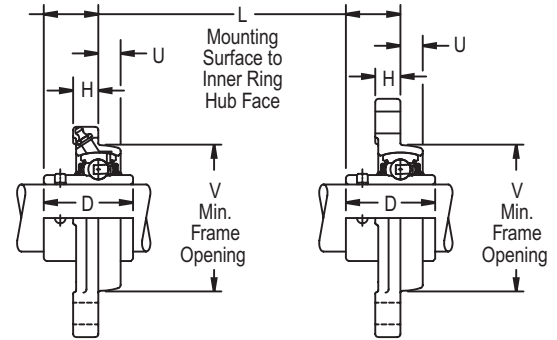
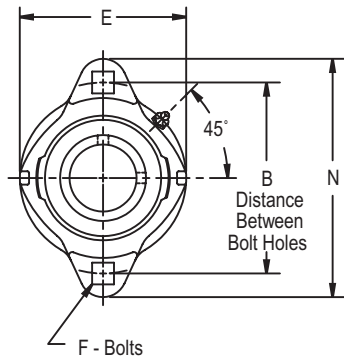
## FXRU200, FXRUG200



Photo Shows a 2-Bolt Ball Bearing Flanged Unit with High Test Iron Housing

### Product Features

- Corrosion-resistant powder coating
- High test iron housing
- Broad range of sealing options
- Wide inner ring for increased shaft stability
- Spring locking setscrew mount
- Alignable & optional relubrication feature
- 2-bolt carriage inboard mounting
- See Features & Benefits for additional info.



### Bearing Dimensions

| Size Code | Shaft Diameter | Non-Relubricatable | Relubricatable | B Distance Between Bolt Holes | L Mounting Surface to Inner Ring Hub Face | V Frame Opening | D       | E       | F    | H     | N       | U      | Approx. Weight |
|-----------|----------------|--------------------|----------------|-------------------------------|---|-----------------|---------|---------|------|-------|---------|--------|----------------|
|           |                | Part Number        | Part Number    |                               |   |                 |         |         |      |       |         |        |                |
| 203       | 1/2            | FXRU2B08N*■        | FXRUG2B08N*■   | 2 1/2                         | 41/64                                     | 1 7/8           | 1 3/32  | 2 3/16  | 1/4  | 3/8   | 3 3/16  | 2 1/64 | 0.60           |
|           | 5/8            | FXRU210N*■         | FXRUG210N*■    |                               |   |                 |         |         |      |       |         |        |                |
|           | 11/16          | FXRU211N*■         | FXRUG211N*■    |                               |   |                 |         |         |      |       |         |        |                |
| 204       | 3/4            | FXRU212N*■         | FXRUG212N*■    | 2 13/16                       | 3/4                                       | 2 5/32          | 1 9/32  | 2 15/32 | 5/16 | 27/64 | 3 9/16  | 23/64  | 0.80           |
| 205       | 7/8            | FXRU214N*Δ         | FXRUG214N*Δ    | 3                             | 51/64                                     | 2 3/8           | 1 23/64 | 2 23/32 | 5/16 | 27/64 | 3 3/4   | 23/64  | 1.00           |
|           | 15/16          | FXRU215N*Δ         | FXRUG215N*Δ    |                               |   |                 |         |         |      |       |         |        |                |
|           | 1              | FXRU216N*Δ         | FXRUG216N*Δ    |                               |   |                 |         |         |      |       |         |        |                |
| 206       | 1 1/8          | FXRU218N*■         | FXRUG218N*■    | 3 9/16                        | 61/64                                     | 2 13/16         | 1 9/16  | 3 3/32  | 3/8  | 15/32 | 4 7/16  | 27/64  | 1.40           |
|           | 1 3/16         | FXRU219N*■         | FXRUG219N*■    |                               |   |                 |         |         |      |       |         |        |                |
|           | 1 1/4          | FXRU2E20N*■        | FXRUG2E20N*■   |                               |   |                 |         |         |      |       |         |        |                |
| 207       | 1 1/4          | FXRU220N*Δ         | FXRUG220N*Δ    | 3 15/16                       | 1 7/64                                    | 3 7/32          | 1 49/64 | 3 1/2   | 3/8  | 1/2   | 4 13/16 | 7/16   | 2.00           |
|           | 1 3/8          | FXRU222N*Δ         | FXRUG222N*Δ    |                               |   |                 |         |         |      |       |         |        |                |
|           | 1 7/16         | FXRU223N*Δ         | FXRUG223N*Δ    |                               |   |                 |         |         |      |       |         |        |                |

### Additional Notes

- Please call 1-866-REXNORD for availability
- Lubrication fitting tap size: for size codes 204 and below, 10-32 UNF; for all other size codes, 1/4 in-28 UNF
- Short shank square neck carriage bolt is not recommended
- \* N lip seals standard
- Available with H labyrinth seals
- Δ Available with E3 triple lip seals
- For the Selection Guide, Load Ratings and Speed Limits, see the Link-Belt 200 Series Ball Bearing Engineering section

Note: Dimensions subject to change. Certified dimensions of ordered material furnished on request.

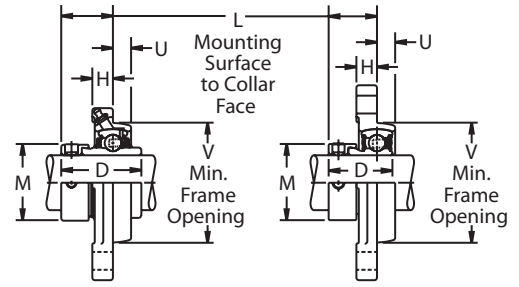
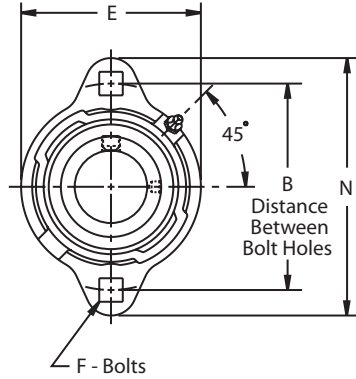
# FXRW200, FXRWG200



Photo Shows a 2-Bolt Ball Bearing Flanged Unit with High Test Iron Housing

## Product Features

- Corrosion-resistant powder coating
- High test iron housing
- Eccentric cam locking device
- Alignable & optional relubrication feature
- 2-bolt carriage inboard mounting
- See Features & Benefits for additional info.



## Bearing Dimensions

| Size Code | Shaft Diameter | Non-Relubricatable | Relubricatable | B<br>Distance<br>Between<br>Bolt Holes | L<br>Mounting<br>Surface to<br>Collar Face | V<br>Frame<br>Opening | D       | E       | F    | H     | M      | N       | U     | Approx. Weight |
|-----------|----------------|--------------------|----------------|--|--|-----------------------|---------|---------|------|-------|--------|---------|-------|----------------|
|           |                | Part Number        | Part Number    |  |  |                       |         |         |      |       |        |         |       |                |
| 203       | 1/2            | FXRW2B08E▲         | FXRWG2B08E▲    | 2 1/2                                  | 7/8  | 1 7/8                 | 1 1/8   | 2 3/16  | 1/4  | 3/8   | 1 1/8  | 3 3/16  | 21/64 | 0.50           |
|           | 5/8            | FXRW210E▲          | FXRWG210E▲     |  |  |                       |         |         |      |       |        |         |       |                |
| 204       | 3/4            | FXRW212E▲          | FXRWG212E▲     | 2 13/16                                | 59/64                                      | 2 5/32                | 1 7/32  | 2 15/32 | 5/16 | 27/64 | 1 5/16 | 3 9/16  | 23/64 | 0.70           |
|           | 7/8            | FXRW214E▲          | FXRWG214E▲     |  |  |                       |         |         |      |       |        |         |       |                |
| 205       | 15/16          | FXRW215E▲          | FXRWG215E▲     | 3                                      | 59/64                                      | 2 3/8                 | 1 7/32  | 2 23/32 | 5/16 | 27/64 | 1 1/2  | 3 3/4   | 23/64 | 0.80           |
|           | 1              | FXRW216E▲          | FXRWG216E▲     |  |  |                       |         |         |      |       |        |         |       |                |
|           | 1 1/8          | FXRW218E▲          | FXRWG218E▲     |  |  |                       |         |         |      |       |        |         |       |                |
| 206       | 1 3/16         | FXRW219E▲          | FXRWG219E▲     | 3 9/16                                 | 1 3/64                                     | 2 13/16               | 1 13/32 | 3 3/32  | 3/8  | 15/32 | 1 3/4  | 4 7/16  | 27/64 | 1.20           |
|           | 1 1/4          | FXRW220E▲          | FXRWG220E▲     |  |  |                       |         |         |      |       |        |         |       |                |
|           | 1 1/4          | FXRW220E▲          | FXRWG220E▲     |  |  |                       |         |         |      |       |        |         |       |                |
| 207       | 1 1/4          | FXRW220E▲          | FXRWG220E▲     | 3 15/16                                | 1 5/32                                     | 3 7/32                | 1 17/32 | 3 1/2   | 3/8  | 1/2   | 2 3/16 | 4 13/16 | 7/16  | 1.80           |
|           | 1 3/8          | FXRW222E▲          | FXRWG222E▲     |  |  |                       |         |         |      |       |        |         |       |                |
|           | 1 7/16         | FXRW223E▲          | FXRWG223E▲     |  |  |                       |         |         |      |       |        |         |       |                |

## Additional Notes

- Please call 1-866-REXNORD for availability
- Lubrication fitting tap size: for size codes 204 and below, 10-32 UNF: for all other size codes, 1/4 in-28 UNF
- Short shank square neck carriage bolt is not recommended
- ▲ E lip seals standard
- For the Selection Guide, Load Ratings and Speed Limits, see the Link-Belt 200 Series Ball Bearing Engineering section
- Note: Dimensions subject to change. Certified dimensions of ordered material furnished on request.

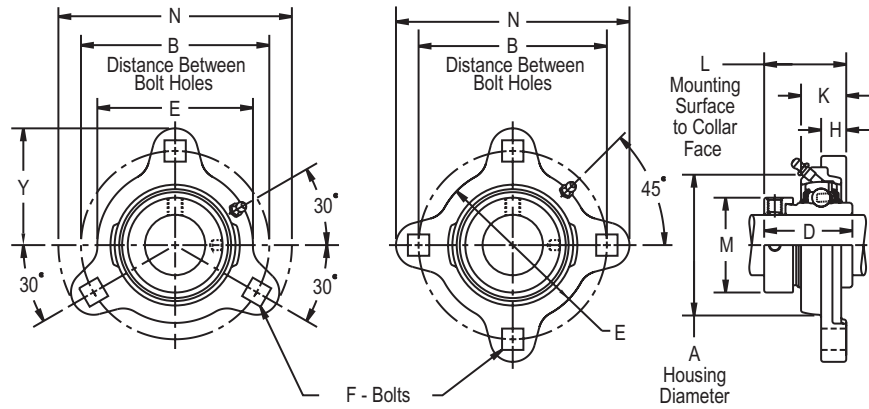
## FY200, FYG200



Photo Shows a 3-Bolt Ball Bearing Flanged Unit with High Test Iron Housing

### Product Features

- Corrosion-resistant powder coating
- High test iron housing
- Broad range of sealing options
- Wide inner ring for increased shaft stability
- Eccentric cam locking device
- Alignable & optional relubrication feature
- 3 or 4-bolt carriage outboard mounting
- See Features & Benefits for additional info.



### Bearing Dimensions

| Size Code     | Shaft Diameter | Non-Relubricatable |                    | Relubricatable |                    | B Distance Between Bolt Holes | L Mounting Surface to Collar Face | D       | E       | F    | H     | K     | M      | N       | Y       | Approx. Weight |
|---------------|----------------|--------------------|--------------------|----------------|--------------------|-------------------------------|-----------------------------------|---------|---------|------|-------|-------|--------|---------|---------|----------------|
|               |                | Part Number        | A Housing Diameter | Part Number    | A Housing Diameter |                               |                                   |         |         |      |       |       |        |         |         |                |
| <b>3-Bolt</b> |                |                    |                    |                |                    |                               |                                   |         |         |      |       |       |        |         |         |                |
| 203           | 1/2            | FY2B08N*■          | 1 25/32            | FYG2B08N*■     | 1 29/32            | 2 1/2                         | 1 19/64                           | 1 15/32 | 2 3/32  | 1/4  | 3/8   | 45/64 | 1 1/8  | 3 3/16  | 1 19/32 | 0.60           |
|               | 5/8            | FY210N*■           |                    | FYG210N*■      |                    |                               |                                   |         |         |      |       |       |        |         |         |                |
|               | 11/16          | FY211N*■           |                    | FYG211N*■      |                    |                               |                                   |         |         |      |       |       |        |         |         |                |
| 204           | 3/4            | FY212N*■           | 2 1/16             | FYG212N*■      | 2 3/16             | 2 13/16                       | 1 15/32                           | 1 23/32 | 2 3/8   | 5/16 | 27/64 | 25/32 | 1 5/16 | 3 9/16  | 1 25/32 | 0.80           |
|               | 7/8            | FY214N*Δ           |                    | FYG214N*Δ      |                    |                               |                                   |         |         |      |       |       |        |         |         |                |
| 205           | 15/16          | FY215N*Δ           | 2 9/32             | FYG215N*Δ      | 2 3/8              | 3                             | 1 31/64                           | 1 3/4   | 2 5/8   | 5/16 | 27/64 | 25/32 | 1 1/2  | 3 3/4   | 1 7/8   | 1.00           |
|               | 1              | FY216N*Δ           |                    | FYG216N*Δ      |                    |                               |                                   |         |         |      |       |       |        |         |         |                |
|               | 1 1/8          | FY218N*■           |                    | FYG218N*■      |                    |                               |                                   |         |         |      |       |       |        |         |         |                |
| 206           | 1 3/16         | FY219N*■           | 2 23/32            | FYG219N*■      | 2 13/16            | 3 9/16                        | 1 21/32                           | 1 29/32 | 3 3/32  | 3/8  | 15/32 | 57/64 | 1 3/4  | 4 7/16  | 2 7/32  | 1.40           |
|               | 1 1/4          | FY2E20N*■          |                    | FYG2E20N*■     |                    |                               |                                   |         |         |      |       |       |        |         |         |                |
|               | 1 1/4          | FY220N*Δ           |                    | FYG220N*Δ      |                    |                               |                                   |         |         |      |       |       |        |         |         |                |
| 207           | 1 3/8          | FY222N*Δ           | 3 1/8              | FYG222N*Δ      | 3 7/32             | 3 15/16                       | 1 25/32                           | 2 1/64  | 3 1/2   | 3/8  | 1/2   | 15/16 | 2 3/16 | 4 13/16 | 2 13/32 | 2.00           |
|               | 1 7/16         | FY223N*Δ           |                    | FYG223N*Δ      |                    |                               |                                   |         |         |      |       |       |        |         |         |                |
|               |                |                    |                    |                |                    |                               |                                   |         |         |      |       |       |        |         |         |                |
| <b>4-Bolt</b> |                |                    |                    |                |                    |                               |                                   |         |         |      |       |       |        |         |         |                |
| 208           | 1 1/2          | FY224N*Δ           | 3 15/32            | FYG224N*Δ      | 3 21/32            | 4 11/16                       | 2                                 | 2 7/32  | 3 7/8   | 1/2  | 5/8   | 1 1/8 | 2 3/8  | 5 13/16 | -       | 3.00           |
|               | 1 5/8          | FY226N*Δ           |                    | FYG226N*Δ      |                    |                               |                                   |         |         |      |       |       |        |         |         |                |
| 209           | 1 11/16        | FY227N*Δ           | 3 11/16            | FYG227N*Δ      | 3 13/16            | 4 3/4                         | 2                                 | 2 7/32  | 4 7/32  | 1/2  | 5/8   | 1 1/8 | 2 1/2  | 5 7/8   | -       | 3.10           |
|               | 1 3/4          | FY228N*Δ           |                    | FYG228N*Δ      |                    |                               |                                   |         |         |      |       |       |        |         |         |                |
| 210           | 1 15/16        | FY231N*Δ           | 3 7/8              | FYG231N*Δ      | 4 1/16             | 5                             | 2 1/8                             | 2 15/32 | 4 15/32 | 1/2  | 5/8   | 1 1/8 | 2 3/4  | 6 1/8   | -       | 3.60           |
|               | 2              | FY2E32N*Δ          |                    | FYG2E32N*Δ     |                    |                               |                                   |         |         |      |       |       |        |         |         |                |

### Additional Notes

- Please call 1-866-REXNORD for availability
- Lubrication fitting tap size: for size codes 204 and below, 10-32 UNF; for all other size codes, 1/4 in-28 UNF
- Loading slots are on mounting face side for non-relubricatable units
- \* N lip seals standard
- Available with H labyrinth seals
- Δ Available with E3 triple lip seals
- For the Selection Guide, Load Ratings and Speed Limits, see the Link-Belt 200 Series Ball Bearing Engineering section

Note: Dimensions subject to change. Certified dimensions of ordered material furnished on request.

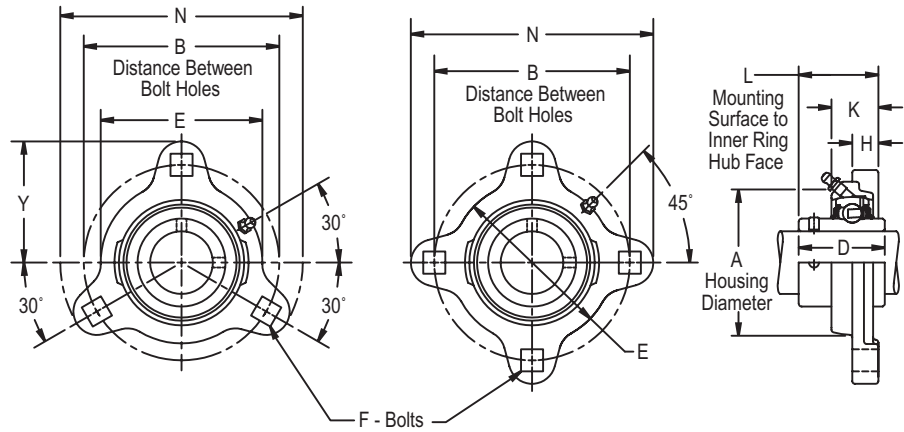
# FU200, FUG200



Photo Shows a 3-Bolt Ball Bearing Flanged Unit with High Test Iron Housing

## Product Features

- Corrosion-resistant powder coating
- High test iron housing
- Broad range of sealing options
- Wide inner ring for increased shaft stability
- Spring locking setscrew mount
- Alignable & optional relubrication feature
- 3 or 4-bolt carriage outboard mounting
- See Features & Benefits for additional info.



## Bearing Dimensions

| Size Code     | Shaft Diameter | Non-Relubricatable |                    | Relubricatable |                    | B Distance Between Bolt Holes | L Mounting Surface to Inner Ring Hub Face | D       | E       | F    | H     | K     | N       | Y       | Approx. Weight |             |
|---------------|----------------|--------------------|--------------------|----------------|--------------------|-------------------------------|---|---------|---------|------|-------|-------|---------|---------|----------------|-------------|
|               |                | Part Number        | A Housing Diameter | Part Number    | A Housing Diameter |                               |   |         |         |      |       |       |         |         |                |             |
| <b>3-Bolt</b> |                |                    |                    |                |                    |                               |   |         |         |      |       |       |         |         |                |             |
| 203           | 1/2            | FU2B08N*■          | 1 25/32            | FUG2B08N*■     | 1 29/32            | 2 1/2                         | 1 1/64                                    | 1 3/32  | 2 3/32  | 1/4  | 3/8   | 45/64 | 3 3/16  | 1 19/32 | 0.60           |             |
|               |                | 5/8                |                    | FU210N*■       |                    |                               |   |         |         |      |       |       |         |         |                | FUG210N*■   |
|               | 11/16          | FU211N*■           |                    | FUG211N*■      |                    |                               |   |         |         |      |       |       |         |         |                |             |
| 204           | 3/4            | FU212N*■           | 2 1/16             | FUG212N*■      | 2 3/16             | 2 13/16                       | 1 11/64                                   | 1 9/32  | 2 3/8   | 5/16 | 27/64 | 25/32 | 3 9/16  | 1 25/32 | 0.80           |             |
| 205           | 7/8            | FU214N*Δ■          | 2 9/32             | FUG214N*Δ■     | 2 3/8              | 3                             | 1 7/32                                    | 1 23/64 | 2 5/8   | 5/16 | 27/64 | 25/32 | 3 3/4   | 1 7/8   | 1.00           |             |
|               |                | 15/16              |                    | FU215N*Δ■      |                    |                               |   |         |         |      |       |       |         |         |                | FUG215N*Δ■  |
|               |                | 1                  |                    | FU216N*Δ■      |                    |                               |   |         |         |      |       |       |         |         |                | FUG216N*Δ■  |
| 206           | 1 1/8          | FU218N*■           | 2 23/32            | FUG218N*■      | 2 13/16            | 3 9/16                        | 1 27/64                                   | 1 9/16  | 3 3/32  | 3/8  | 15/32 | 57/64 | 4 7/16  | 2 7/32  | 1.40           |             |
|               |                | 1 3/16             |                    | FU219N*■       |                    |                               |   |         |         |      |       |       |         |         |                | FUG219N*■   |
|               |                | 1 1/4              |                    | FU2E20N*■      |                    |                               |   |         |         |      |       |       |         |         |                | FUG2E20N*■  |
| 207           | 1 1/4          | FU220N*Δ■          | 3 1/8              | FUG220N*Δ■     | 3 7/32             | 3 15/16                       | 1 39/64                                   | 1 49/64 | 3 1/2   | 3/8  | 1/2   | 15/16 | 4 13/16 | 2 13/32 | 2.00           |             |
|               |                | 1 3/8              |                    | FU222N*Δ■      |                    |                               |   |         |         |      |       |       |         |         |                | FUG222N*Δ■  |
|               |                | 1 7/16             |                    | FU223N*Δ■      |                    |                               |   |         |         |      |       |       |         |         |                | FUG223N*Δ■  |
| <b>4-Bolt</b> |                |                    |                    |                |                    |                               |   |         |         |      |       |       |         |         |                |             |
| 208           | 1 1/2          | FU224N*Δ■          | 3 15/32            | FUG224N*Δ■     | 3 21/32            | 4 11/16                       | 1 51/64                                   | 1 29/32 | 3 7/8   | 1/2  | 5/8   | 1 1/8 | 5 13/16 | -       | 3.00           |             |
|               |                | 1 5/8              | FU226N*Δ■          |                | FUG226N*Δ■         |                               |   |         |         |      |       |       |         |         |                |             |
| 209           | 1 11/16        | FU227N*Δ■          | 3 11/16            | FUG227N*Δ■     | 3 13/16            | 4 3/4                         | 1 55/64                                   | 2 1/32  | 4 7/32  | 1/2  | 5/8   | 1 1/8 | 5 7/8   | -       | 3.10           |             |
|               |                | 1 3/4              |                    | FU228N*Δ■      |                    |                               |   |         |         |      |       |       |         |         |                | FUG228N*Δ■  |
| 210           | 1 15/16        | FU231N*Δ■          | 3 7/8              | FUG231N*Δ■     | 4 1/16             | 5                             | 1 57/64                                   | 2 3/32  | 4 15/32 | 1/2  | 5/8   | 1 1/8 | 6 1/8   | -       | 3.60           |             |
|               |                | 2                  |                    | FU2E32N*Δ■     |                    |                               |   |         |         |      |       |       |         |         |                | FUG2E32N*Δ■ |

## Additional Notes

- Please call 1-866-REXNORD for availability
- Lubrication fitting tap size: for size codes 204 and below, 10-32 UNF; for all other size codes, 1/4 in-28 UNF
- Loading slots are on mounting face side for non-relubricatable units
- \* N lip seals standard
- Available with H labyrinth seals
- Δ Available with E3 triple lip seals
- For the Selection Guide, Load Ratings and Speed Limits, see the Link-Belt 200 Series Ball Bearing Engineering section

Note: Dimensions subject to change. Certified dimensions of ordered material furnished on request.

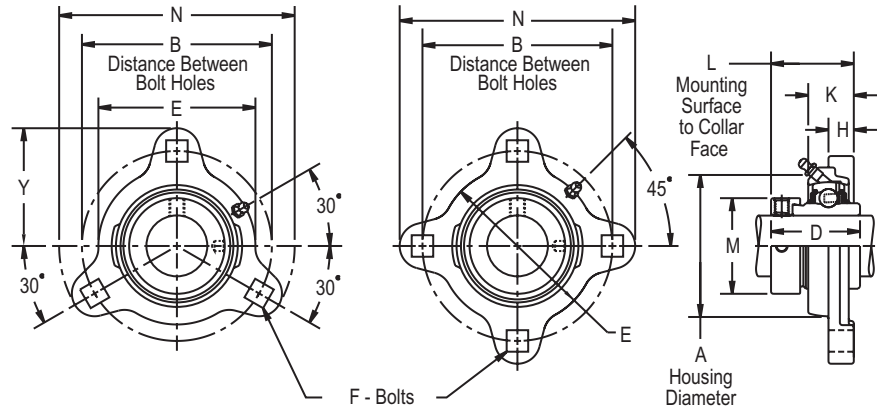
## FW200, FWG200



Photo Shows a 3-Bolt Ball Bearing Flanged Unit with High Test Iron Housing

### Product Features

- Corrosion-resistant powder coating
- High test iron housing
- Eccentric cam locking device
- Alignable & optional relubrication feature
- 3 or 4-bolt carriage outboard mounting
- See Features & Benefits for additional info.



### Bearing Dimensions

| Size Code     | Shaft Diameter | Non-Relubricatable |                    | Relubricatable |                    | B Distance Between Bolt Holes | L Mounting Surface to Collar Face | D       | E       | F    | H     | K     | M      | N       | Y       | Approx. Weight |
|---------------|----------------|--------------------|--------------------|----------------|--------------------|-------------------------------|-----------------------------------|---------|---------|------|-------|-------|--------|---------|---------|----------------|
|               |                | Part Number        | A Housing Diameter | Part Number    | A Housing Diameter |                               |                                   |         |         |      |       |       |        |         |         |                |
| <b>3-Bolt</b> |                |                    |                    |                |                    |                               |                                   |         |         |      |       |       |        |         |         |                |
| 203           | 1/2            | FW2B08E▲           | 1 25/32            | FWG2B08E▲      | 1 29/32            | 2 1/2                         | 1 1/4                             | 1 1/8   | 2 3/32  | 1/4  | 3/8   | 45/64 | 1 1/8  | 3 3/16  | 1 19/32 | 0.50           |
|               | 5/8            | FW210E▲            |                    | FWG210E▲       |                    |                               |                                   |         |         |      |       |       |        |         |         |                |
| 204           | 3/4            | FW212E▲            | 2 1/16             | FWG212E▲       | 2 3/16             | 2 13/16                       | 1 11/32                           | 1 7/32  | 2 3/8   | 5/16 | 27/64 | 25/32 | 1 5/16 | 3 9/16  | 1 25/32 | 0.70           |
| 205           | 7/8            | FW214E▲            | 2 9/32             | FWG214E▲       | 2 3/8              | 3                             | 1 11/32                           | 1 7/32  | 2 5/8   | 5/16 | 27/64 | 25/32 | 1 1/2  | 3 3/4   | 1 7/8   | 0.80           |
|               | 15/16          | FW215E▲            |                    | FWG215E▲       |                    |                               |                                   |         |         |      |       |       |        |         |         |                |
|               | 1              | FW216E▲            |                    | FWG216E▲       |                    |                               |                                   |         |         |      |       |       |        |         |         |                |
| 206           | 1 1/8          | FW218E▲            | 2 23/32            | FWG218E▲       | 2 13/16            | 3 9/16                        | 1 17/32                           | 1 13/32 | 3 3/32  | 3/8  | 15/32 | 57/64 | 1 3/4  | 4 7/16  | 2 7/32  | 1.20           |
|               | 1 3/16         | FW219E▲            |                    | FWG219E▲       |                    |                               |                                   |         |         |      |       |       |        |         |         |                |
|               | 1 1/4          | FW2E20E▲           |                    | FWG2E20E▲      |                    |                               |                                   |         |         |      |       |       |        |         |         |                |
| 207           | 1 1/4          | FW220E▲            | 3 1/8              | FWG220E▲       | 3 7/32             | 3 15/16                       | 1 21/32                           | 1 17/32 | 3 1/2   | 3/8  | 1/2   | 7/8   | 2 3/16 | 4 13/16 | 2 13/32 | 1.80           |
|               | 1 3/8          | FW222E▲            |                    | FWG222E▲       |                    |                               |                                   |         |         |      |       |       |        |         |         |                |
|               | 1 7/16         | FW223E▲            |                    | FWG223E▲       |                    |                               |                                   |         |         |      |       |       |        |         |         |                |
| <b>4-Bolt</b> |                |                    |                    |                |                    |                               |                                   |         |         |      |       |       |        |         |         |                |
| 208           | 1 1/2          | FW224E▲            | 3 15/32            | FWG224E▲       | 3 21/32            | 4 11/16                       | 1 29/32                           | 1 23/32 | 3 7/8   | 1/2  | 5/8   | 1 1/8 | 2 3/8  | 5 13/16 | -       | 2.80           |
|               | 1 5/8          | FW226E▲            |                    | FWG226E▲       |                    |                               |                                   |         |         |      |       |       |        |         |         |                |
| 209           | 1 11/16        | FW227E▲            | 3 11/16            | FWG227E▲       | 3 13/16            | 4 3/4                         | 1 29/32                           | 1 23/32 | 4 7/32  | 1/2  | 5/8   | 1 1/8 | 2 1/2  | 5 7/8   | -       | 2.90           |
|               | 1 3/4          | FW228E▲            |                    | FWG228E▲       |                    |                               |                                   |         |         |      |       |       |        |         |         |                |
| 210           | 1 15/16        | FW231E▲            | 3 7/8              | FWG231E▲       | 4 1/16             | 5                             | 1 29/32                           | 1 23/32 | 4 15/32 | 1/2  | 5/8   | 1 1/8 | 2 3/4  | 6 1/8   | -       | 3.10           |
|               | 2              | FW2E32E▲           |                    | FWG2E32E▲      |                    |                               |                                   |         |         |      |       |       |        |         |         |                |

### Additional Notes

- Please call 1-866-REXNORD for availability
- Lubrication fitting tap size: for size codes 204 and below, 10-32 UNF; for all other size codes, 1/4 in-28 UNF
- Loading slots are on mounting face side for non-relubricatable units
- ▲ E lip seals standard
- For the Selection Guide, Load Ratings and Speed Limits, see the Link-Belt 200 Series Ball Bearing Engineering section
- Note: Dimensions subject to change. Certified dimensions of ordered material furnished on request.



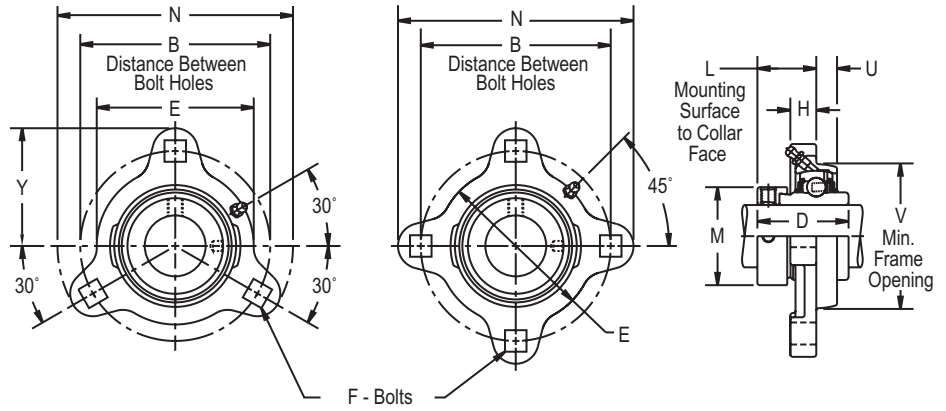
# FRY200, FRYG200



Photo Shows a 3-Bolt Ball Bearing Flanged Unit with High Test Iron Housing

## Product Features

- Corrosion-resistant powder coating
- High test iron housing
- Broad range of sealing options
- Wide inner ring for increased shaft stability
- Eccentric cam locking device
- Alignable & optional relubrication feature
- 3 or 4-bolt carriage inboard mounting
- See Features & Benefits for additional info.



## Bearing Dimensions

| Size Code     | Shaft Diameter | Non-Relubricatable | Relubricatable | B Distance Between Bolt Holes | L Mounting Surface to Collar Face | V Frame Opening | D       | E       | F    | H     | M      | N       | U      | Y       | Approx. Weight |
|---------------|----------------|--------------------|----------------|-------------------------------|-----------------------------------|-----------------|---------|---------|------|-------|--------|---------|--------|---------|----------------|
|               |                | Part Number        | Part Number    |                               |                                   |                 |         |         |      |       |        |         |        |         |                |
| <b>3-Bolt</b> |                |                    |                |                               |                                   |                 |         |         |      |       |        |         |        |         |                |
| 203           | 1/2            | FRY2B08N*■         | FRYG2B08N*■    | 2 1/2                         | 59/64                             | 1 7/8           | 1 15/32 | 2 3/32  | 1/4  | 3/8   | 1 1/8  | 3 3/16  | 2 1/64 | 1 19/32 | 0.60           |
|               | 5/8            | FRY210N*■          | FRYG210N*■     |                               |                                   |                 |         |         |      |       |        |         |        |         |                |
|               | 11/16          | FRY211N*■          | FRYG211N*■     |                               |                                   |                 |         |         |      |       |        |         |        |         |                |
| 204           | 3/4            | FRY212N*■          | FRYG212N*■     | 2 13/16                       | 1 3/64                            | 2 5/32          | 1 23/32 | 2 3/8   | 5/16 | 27/64 | 1 5/16 | 3 9/16  | 23/64  | 1 25/32 | 0.80           |
|               | 7/8            | FRY214N*Δ          | FRYG214N*Δ     |                               |                                   |                 |         |         |      |       |        |         |        |         |                |
| 205           | 15/16          | FRY215N*Δ          | FRYG215N*Δ     | 3                             | 1 1/16                            | 2 3/8           | 1 3/4   | 2 5/8   | 5/16 | 27/64 | 1 1/2  | 3 3/4   | 23/64  | 1 7/8   | 1.00           |
|               | 1              | FRY216N*Δ          | FRYG216N*Δ     |                               |                                   |                 |         |         |      |       |        |         |        |         |                |
|               | 1 1/8          | FRY218N*■          | FRYG218N*■     |                               |                                   |                 |         |         |      |       |        |         |        |         |                |
| 206           | 1 3/16         | FRY219N*■          | FRYG219N*■     | 3 9/16                        | 1 3/16                            | 2 13/16         | 1 25/32 | 3 3/32  | 3/8  | 15/32 | 1 3/4  | 4 7/16  | 27/64  | 2 7/32  | 1.40           |
|               | 1 1/4          | FRY2E20N*■         | FRYG2E20N*■    |                               |                                   |                 |         |         |      |       |        |         |        |         |                |
|               | 1 1/4          | FRY220N*Δ          | FRYG220N*Δ     |                               |                                   |                 |         |         |      |       |        |         |        |         |                |
| 207           | 1 3/8          | FRY222N*Δ          | FRYG222N*Δ     | 3 15/16                       | 1 9/32                            | 3 7/32          | 2 1/64  | 3 1/2   | 3/8  | 1/2   | 2 3/16 | 4 13/16 | 7/16   | 2 13/32 | 2.00           |
|               | 1 7/16         | FRY223N*Δ          | FRYG223N*Δ     |                               |                                   |                 |         |         |      |       |        |         |        |         |                |
|               |                |                    |                |                               |                                   |                 |         |         |      |       |        |         |        |         |                |
| <b>4-Bolt</b> |                |                    |                |                               |                                   |                 |         |         |      |       |        |         |        |         |                |
| 208           | 1 1/2          | FRY224N*Δ          | FRYG224N*Δ     | 4 11/16                       | 1 3/8                             | 3 9/16          | 2 7/32  | 3 7/8   | 1/2  | 5/8   | 2 3/8  | 5 13/16 | 1/2    | -       | 3.00           |
|               | 1 5/8          | FRY226N*Δ          | FRYG226N*Δ     |                               |                                   |                 |         |         |      |       |        |         |        |         |                |
| 209           | 1 11/16        | FRY227N*Δ          | FRYG227N*Δ     | 4 3/4                         | 1 3/8                             | 3 25/32         | 2 7/32  | 4 7/32  | 1/2  | 5/8   | 2 1/2  | 5 7/8   | 1/2    | -       | 3.10           |
|               | 1 3/4          | FRY228N*Δ          | FRYG228N*Δ     |                               |                                   |                 |         |         |      |       |        |         |        |         |                |
| 210           | 1 15/16        | FRY231N*Δ          | FRYG231N*Δ     | 5                             | 1 1/2                             | 3 31/32         | 2 15/32 | 4 15/32 | 1/2  | 5/8   | 2 3/4  | 6 1/8   | 1/2    | -       | 3.60           |
|               | 2              | FRY2E32N*Δ         | FRYG2E32N*Δ    |                               |                                   |                 |         |         |      |       |        |         |        |         |                |

## Additional Notes

- Please call 1-866-REXNORD for availability
- Lubrication fitting tap size: for size codes 204 and below, 10-32 UNF; for all other size codes, 1/4 in-28 UNF
- Short shank square neck carriage bolt is not recommended
- \* N lip seals standard
- Available with H labyrinth seals
- Δ Available with E3 triple lip seals
- For the Selection Guide, Load Ratings and Speed Limits, see the Link-Belt 200 Series Ball Bearing Engineering section

Note: Dimensions subject to change. Certified dimensions of ordered material furnished on request.

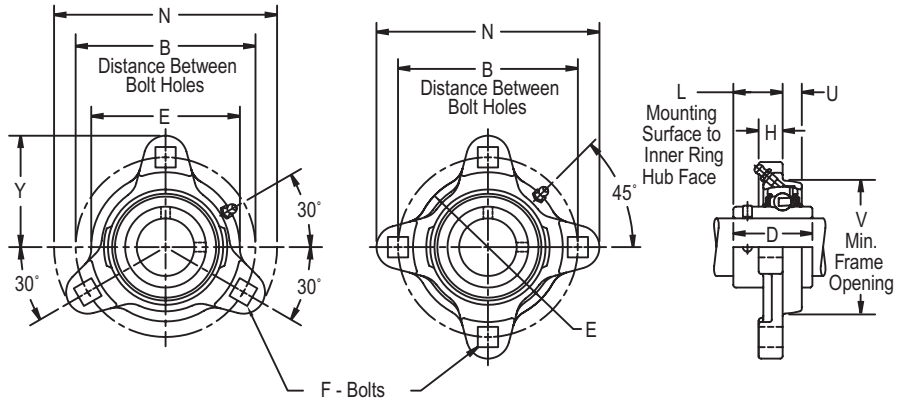
## FRU200, FRUG200



Photo Shows a 3-Bolt Ball Bearing Flanged Unit with High Test Iron Housing

### Product Features

- Corrosion-resistant powder coating
- High test iron housing
- Broad range of sealing options
- Wide inner ring for increased shaft stability
- Spring locking setscrew mount
- Alignable & optional relubrication feature
- 3 or 4-bolt carriage inboard mounting
- See Features & Benefits for additional info.



### Bearing Dimensions

| Size Code     | Shaft Diameter | Non-Relubricatable | Relubricatable | B<br>Distance<br>Between<br>Bolt Holes | L<br>Mounting<br>Surface to<br>Inner<br>Ring Hub<br>Face | V<br>Frame<br>Opening | D       | E       | F    | H     | N       | U     | Y       | Approx.<br>Weight |
|---------------|----------------|--------------------|----------------|--|--|-----------------------|---------|---------|------|-------|---------|-------|---------|-------------------|
|               |                | Part<br>Number     | Part<br>Number |  |  |                       |         |         |      |       |         |       |         |                   |
| <b>3-Bolt</b> |                |                    |                |  |  |                       |         |         |      |       |         |       |         |                   |
| 203           | 1/2            | FRU2B08N*■         | FRUG2B08N*■    | 2 1/2                                  | 41/64  | 1 7/8                 | 1 3/32  | 2 3/32  | 1/4  | 3/8   | 3 3/16  | 21/64 | 1 19/32 | 0.60              |
|               | 5/8            | FRU210N*■          | FRUG210N*■     |  |  |                       |         |         |      |       |         |       |         |                   |
|               | 11/16          | FRU211N*■          | FRUG211N*■     |  |  |                       |         |         |      |       |         |       |         |                   |
| 204           | 3/4            | FRU212N*■          | FRUG212N*■     | 2 13/16                                | 3/4  | 2 5/32                | 1 9/32  | 2 3/8   | 5/16 | 27/64 | 3 9/16  | 23/64 | 1 25/32 | 0.80              |
| 205           | 7/8            | FRU214N*Δ          | FRUG214N*Δ     | 3                                      | 51/64  | 2 3/8                 | 1 23/64 | 2 5/8   | 5/16 | 27/64 | 3 3/4   | 23/64 | 1 7/8   | 1.00              |
|               | 15/16          | FRU215N*Δ          | FRUG215N*Δ     |  |  |                       |         |         |      |       |         |       |         |                   |
|               | 1              | FRU216N*Δ          | FRUG216N*Δ     |  |  |                       |         |         |      |       |         |       |         |                   |
| 206           | 1 1/8          | FRU218N*■          | FRUG218N*■     | 3 9/16                                 | 61/64  | 2 13/16               | 1 9/16  | 3 3/32  | 3/8  | 15/32 | 4 7/16  | 27/64 | 2 7/32  | 1.40              |
|               | 1 3/16         | FRU219N*■          | FRUG219N*■     |  |  |                       |         |         |      |       |         |       |         |                   |
|               | 1 1/4          | FRU2E20N*■         | FRUG2E20N*■    |  |  |                       |         |         |      |       |         |       |         |                   |
| 207           | 1 1/4          | FRU220N*Δ          | FRUG220N*Δ     | 3 15/16                                | 1 7/64   | 3 7/32                | 1 49/64 | 3 1/2   | 3/8  | 1/2   | 4 13/16 | 7/16  | 2 13/32 | 2.00              |
|               | 1 3/8          | FRU222N*Δ          | FRUG222N*Δ     |  |  |                       |         |         |      |       |         |       |         |                   |
|               | 1 7/16         | FRU223N*Δ          | FRUG223N*Δ     |  |  |                       |         |         |      |       |         |       |         |                   |
| <b>4-Bolt</b> |                |                    |                |  |  |                       |         |         |      |       |         |       |         |                   |
| 208           | 1 1/2          | FRU224N*Δ          | FRUG224N*Δ     | 4 11/16                                | 1 11/64  | 3 9/16                | 1 29/32 | 3 7/8   | 1/2  | 5/8   | 5 13/16 | 1/2   | -       | 3.00              |
|               | 1 5/8          | FRU226N*Δ          | FRUG226N*Δ     |  |  |                       |         |         |      |       |         |       |         |                   |
| 209           | 1 11/16        | FRU227N*Δ          | FRUG227N*Δ     | 4 3/4                                  | 1 15/64  | 3 25/32               | 2 1/32  | 4 7/32  | 1/2  | 5/8   | 5 7/8   | 1/2   | -       | 3.10              |
|               | 1 3/4          | FRU228N*Δ          | FRUG228N*Δ     |  |  |                       |         |         |      |       |         |       |         |                   |
| 210           | 1 15/16        | FRU231N*Δ          | FRUG231N*Δ     | 5                                      | 1 17/64  | 3 31/32               | 2 3/32  | 4 15/32 | 1/2  | 5/8   | 6 1/8   | 1/2   | -       | 3.60              |
|               | 2              | FRU2E32N*Δ         | FRUG2E32N*Δ    |  |  |                       |         |         |      |       |         |       |         |                   |

### Additional Notes

- Please call 1-866-REXNORD for availability
- Lubrication fitting tap size: for size codes 204 and below, 10-32 UNF; for all other size codes, 1/4 in-28 UNF
- Short shank square neck carriage bolt is not recommended
- \* N lip seals standard
- Available with H labyrinth seals
- Δ Available with E3 triple lip seals
- For the Selection Guide, Load Ratings and Speed Limits, see the Link-Belt 200 Series Ball Bearing Engineering section

Note: Dimensions subject to change. Certified dimensions of ordered material furnished on request.

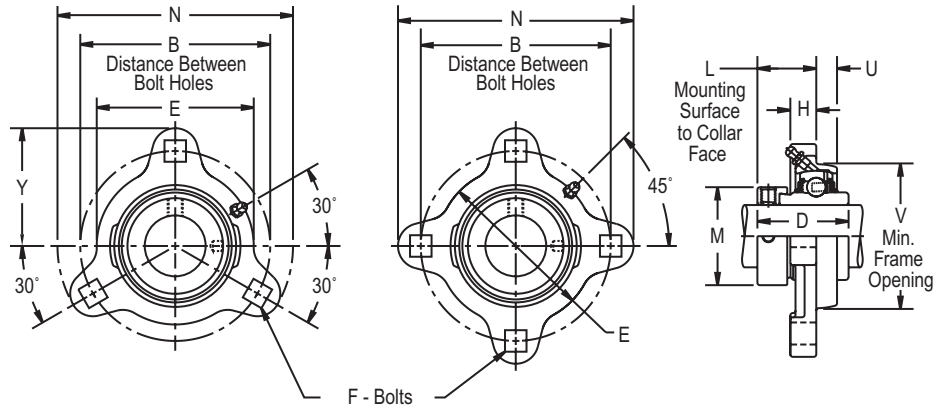
# FRW200, FRWG200



Photo Shows a 3-Bolt Ball Bearing Flanged Unit with High Test Iron Housing

## Product Features

- Corrosion-resistant powder coating
- High test iron housing
- Eccentric cam locking device
- Alignable & optional relubrication feature
- 3 or 4-bolt carriage inboard mounting
- See Features & Benefits for additional info.



## Bearing Dimensions

| Size Code     | Shaft Diameter | Non-Relubricatable | Relubricatable | B<br>Distance<br>Between<br>Bolt Holes | L<br>Mounting<br>Surface to<br>Collar Face | V<br>Frame<br>Opening | D       | E       | F    | H     | M      | N       | U     | Y       | Approx. Weight |
|---------------|----------------|--------------------|----------------|--|--|-----------------------|---------|---------|------|-------|--------|---------|-------|---------|----------------|
|               |                | Part Number        | Part Number    |  |  |                       |         |         |      |       |        |         |       |         |                |
| <b>3-Bolt</b> |                |                    |                |  |  |                       |         |         |      |       |        |         |       |         |                |
| 203           | 1/2            | FRW2B08E▲          | FRWG2B08E▲     | 2 1/2                                  | 7/8  | 1 7/8                 | 1 1/8   | 2 3/32  | 1/4  | 3/8   | 1 1/8  | 3 3/16  | 21/64 | 1 19/32 | 0.50           |
|               | 5/8            | FRW210E▲           | FRWG210E▲      |  |  |                       |         |         |      |       |        |         |       |         |                |
| 204           | 3/4            | FRW212E▲           | FRWG212E▲      | 2 13/16                                | 59/64                                      | 2 5/32                | 1 7/32  | 2 3/8   | 5/16 | 27/64 | 1 5/16 | 3 9/16  | 23/64 | 1 25/32 | 0.70           |
| 205           | 7/8            | FRW214E▲           | FRWG214E▲      | 3                                      | 59/64                                      | 2 3/8                 | 1 7/32  | 2 5/8   | 5/16 | 27/64 | 1 1/2  | 3 3/4   | 23/64 | 1 7/8   | 0.80           |
|               | 15/16          | FRW215E▲           | FRWG215E▲      |  |  |                       |         |         |      |       |        |         |       |         |                |
|               | 1              | FRW216E▲           | FRWG216E▲      |  |  |                       |         |         |      |       |        |         |       |         |                |
| 206           | 1 1/8          | FRW218E▲           | FRWG218E▲      | 3 9/16                                 | 1 3/64                                     | 2 13/16               | 1 13/32 | 3 3/32  | 3/8  | 15/32 | 1 3/4  | 4 7/16  | 27/64 | 2 7/32  | 1.20           |
|               | 1 3/16         | FRW219E▲           | FRWG219E▲      |  |  |                       |         |         |      |       |        |         |       |         |                |
|               | 1 1/4          | FRW2E20E▲          | FRWG2E20E▲     |  |  |                       |         |         |      |       |        |         |       |         |                |
| 207           | 1 1/4          | FRW220E▲           | FRWG220E▲      | 3 15/16                                | 1 5/32                                     | 3 7/32                | 1 17/32 | 3 1/2   | 3/8  | 1/2   | 2 3/16 | 4 13/16 | 7/16  | 2 13/32 | 1.80           |
|               | 1 3/8          | FRW222E▲           | FRWG222E▲      |  |  |                       |         |         |      |       |        |         |       |         |                |
|               | 1 7/16         | FRW223E▲           | FRWG223E▲      |  |  |                       |         |         |      |       |        |         |       |         |                |
| <b>4-Bolt</b> |                |                    |                |  |  |                       |         |         |      |       |        |         |       |         |                |
| 208           | 1 1/2          | FRW224E▲           | FRWG224E▲      | 4 11/16                                | 1 9/32                                     | 3 9/16                | 1 23/32 | 3 7/8   | 1/2  | 5/8   | 2 3/8  | 5 13/16 | 1/2   | -       | 2.80           |
|               | 1 5/8          | FRW226E▲           | FRWG226E▲      |  |  |                       |         |         |      |       |        |         |       |         |                |
| 209           | 1 11/16        | FRW227E▲           | FRWG227E▲      | 4 3/4                                  | 1 9/32                                     | 3 25/32               | 1 23/32 | 4 7/32  | 1/2  | 5/8   | 2 1/2  | 5 7/8   | 1/2   | -       | 2.90           |
|               | 1 3/4          | FRW228E▲           | FRWG228E▲      |  |  |                       |         |         |      |       |        |         |       |         |                |
| 210           | 1 15/16        | FRW231E▲           | FRWG231E▲      | 5                                      | 1 9/32                                     | 3 31/32               | 1 23/32 | 4 15/32 | 1/2  | 5/8   | 2 3/4  | 6 1/8   | 1/2   | -       | 3.10           |
|               | 2              | FRW2E32E▲          | FRWG2E32E▲     |  |  |                       |         |         |      |       |        |         |       |         |                |

## Additional Notes

- Please call 1-866-REXNORD for availability
- Lubrication fitting tap size: for size codes 204 and below, 10-32 UNF: for all other size codes, 1/4 in-28 UNF
- Short shank square neck carriage bolt is not recommended
- ▲ E lip seals standard
- For the Selection Guide, Load Ratings and Speed Limits, see the Link-Belt 200 Series Ball Bearing Engineering section
- Note: Dimensions subject to change. Certified dimensions of ordered material furnished on request.

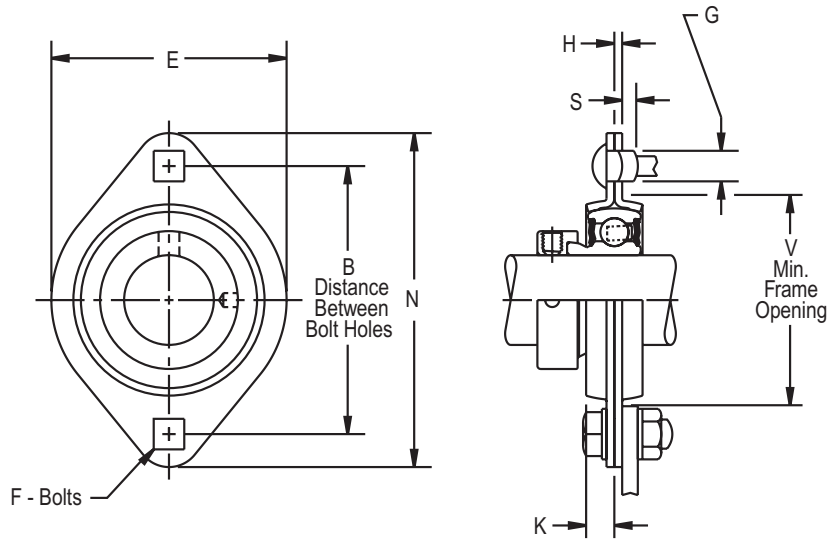
# MST



Photo Shows an Formed Steel 2-Bolt Flanged Housing Half

### Product Features

- 2-piece formed steel housing
- For collar mounted, round, square or hex bore bearings
- Alignable & non-relubricatable
- 2-bolt carriage mounting
- Bearing not included
- See Features & Benefits for additional info.



### Bearing Dimensions

| Size Code | Part Number | B<br>Distance<br>Between<br>Bolt Holes | F         |           | V<br>Frame<br>Opening | E       | G     | H     | K     | N      | S Carriage Bolt |            | Radial<br>Load<br>Rating | Approx.<br>Weight |
|-----------|-------------|--|-----------|-----------|-----------------------|---------|-------|-------|-------|--------|-----------------|------------|--------------------------|-------------------|
|           |             |  | Hole Size | Bolt Size |                       |         |       |       |       |        | Short Shank     | Long Shank |                          |                   |
| 203       | 40MST       | 2 1/2                                  | 9/32      | 1/4       | 1 15/16               | 2 5/16  | 13/32 | 0.075 | 9/32  | 3 3/16 | 0.006           | 0.100      | 600                      | 0.10              |
| 204       | 47MST       | 2 13/16                                | 11/32     | 5/16      | 2 3/16                | 2 5/8   | 1/2   | 0.083 | 5/16  | 3 9/16 | 0.021           | 0.115      | 700                      | 0.20              |
| 205       | 52MST       | 3                                      | 11/32     | 5/16      | 2 3/8                 | 2 51/64 | 1/2   | 0.083 | 11/32 | 3 3/4  | 0.021           | 0.115      | 800                      | 0.20              |
| 206       | 62MST       | 3 9/16                                 | 13/32     | 3/8       | 2 13/16               | 3 5/16  | 19/32 | 0.104 | 11/32 | 4 7/16 | 0.011           | 0.104      | 1,100                    | 0.20              |

### Additional Notes

Please call 1-866-REXNORD for availability  
 Assembly requires two housing halves  
 For bearing insert information, see Unmounted Ball Bearings section  
 Note: Dimensions subject to change. Certified dimensions of ordered material furnished on request.

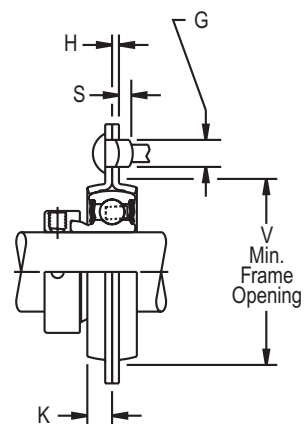
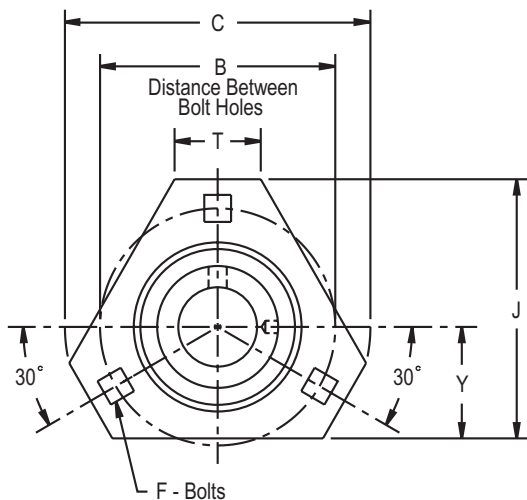
**MSTR**



Photo Shows a Formed Steel 3-Bolt Triangular Flanged Housing Half

**Product Features**

- 2-piece formed steel housing
- For collar mounted, round, square or hex bore bearings
- Alignable & non-relubricatable
- 3-bolt carriage mounting
- Bearing not included
- See Features & Benefits for additional info.



**Bearing Dimensions**

| Size Code | Part Number | B<br>Distance<br>Between<br>Bolt Holes | F                             |                              | V<br>Frame<br>Opening           | C                              | G                             | H     | J                               | K                             | S Carriage Bolt |               | T                              | Y                              | Radial<br>Load<br>Rating | Approx.<br>Weight |
|-----------|-------------|--|-------------------------------|------------------------------|---------------------------------|--------------------------------|-------------------------------|-------|---------------------------------|-------------------------------|-----------------|---------------|--------------------------------|--------------------------------|--------------------------|-------------------|
|           |             |  | Hole<br>Size                  | Bolt<br>Size                 |                                 |                                |                               |       |                                 |                               | Short<br>Shank  | Long<br>Shank |                                |                                |                          |                   |
| 204       | 47MSTR      | 2 <sup>13</sup> / <sub>16</sub>        | <sup>11</sup> / <sub>32</sub> | <sup>5</sup> / <sub>16</sub> | 2 <sup>3</sup> / <sub>16</sub>  | 3 <sup>9</sup> / <sub>16</sub> | <sup>1</sup> / <sub>2</sub>   | 0.083 | 3                               | <sup>5</sup> / <sub>16</sub>  | 0.021           | 0.115         | 1 <sup>1</sup> / <sub>16</sub> | 1 <sup>5</sup> / <sub>16</sub> | 700                      | 0.25              |
| 205       | 52MSTR      | 3                                      | <sup>11</sup> / <sub>32</sub> | <sup>5</sup> / <sub>16</sub> | 2 <sup>3</sup> / <sub>8</sub>   | 3 <sup>3</sup> / <sub>4</sub>  | <sup>1</sup> / <sub>2</sub>   | 0.083 | 3 <sup>5</sup> / <sub>32</sub>  | <sup>11</sup> / <sub>32</sub> | 0.021           | 0.115         | 1 <sup>7</sup> / <sub>64</sub> | 1 <sup>3</sup> / <sub>8</sub>  | 800                      | 0.50              |
| 206       | 62MSTR      | 3 <sup>9</sup> / <sub>16</sub>         | <sup>13</sup> / <sub>32</sub> | <sup>3</sup> / <sub>8</sub>  | 2 <sup>13</sup> / <sub>16</sub> | 4 <sup>7</sup> / <sub>16</sub> | <sup>19</sup> / <sub>32</sub> | 0.104 | 3 <sup>11</sup> / <sub>16</sub> | <sup>11</sup> / <sub>32</sub> | 0.011           | 0.104         | <sup>3</sup> / <sub>32</sub>   | 1 <sup>1</sup> / <sub>2</sub>  | 1,100                    | 0.50              |

**Additional Notes**

- Please call 1-866-REXNORD for availability
- Assembly requires two housing halves
- For bearing insert information, see Unmounted Ball Bearings section
- Note: Dimensions subject to change. Certified dimensions of ordered material furnished on request.

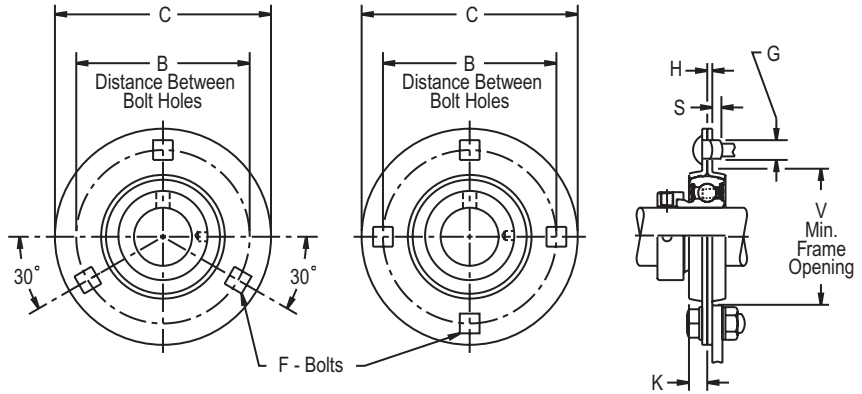
# MS, MSC



Photo Shows a Formed Steel 3-Bolt or 4-Bolt Round Flanged Housing Half

### Product Features

- 2-piece formed steel housing
- For collar mounted, round, square or hex bore bearings
- Alignable & non-relubricatable
- 3 or 4-bolt carriage mounting
- Bearing not included
- See Features & Benefits for additional info.



### Bearing Dimensions

| Size Code     | Part Number | B<br>Distance<br>Between<br>Bolt Holes | F            |              | V<br>Frame<br>Opening | C       | G     | H     | K     | S Carriage Bolts |                | Radial<br>Load<br>Rating | Approx.<br>Weight |
|---------------|-------------|--|--------------|--------------|-----------------------|---------|-------|-------|-------|------------------|----------------|--------------------------|-------------------|
|               |             |  | Hole<br>Size | Bolt<br>Size |                       |         |       |       |       | Short<br>Shank   | Long S<br>hank |                          |                   |
| <b>3-Bolt</b> |             |  |              |              |                       |         |       |       |       |                  |                |                          |                   |
| 203           | 40MSC1      | 2 1/2                                  | 9/32         | 1/4          | 1 15/16               | 3 3/16  | 13/32 | 0.075 | 9/32  | 0.006            | 0.100          | 600                      | 0.13              |
| 204           | 47MSC1      | 2 13/16                                | 11/32        | 5/16         | 2 3/16                | 3 9/16  | 1/2   | 0.083 | 5/16  | 0.021            | 0.115          | 700                      | 0.20              |
| 205           | 52MS2       | 3                                      | 11/32        | 5/16         | 2 3/8                 | 3 3/4   | 1/2   | 0.104 | 11/32 | 0                | 0.073          | 1,100                    | 0.30              |
|               | 0.083       |  |              |              |                       |         |       | 0.021 |       | 0.115            | 800            |                          |                   |
| 206           | 62MSC1      | 3 9/16                                 | 13/32        | 3/8          | 2 13/16               | 4 7/16  | 19/32 | 0.104 | 11/32 | 0.011            | 0.104          | 1,100                    | 0.35              |
|               | 72MS2       | 3 15/16                                | 13/32        | 3/8          | 3 3/16                | 4 13/16 | 19/32 | 0.134 | 3/8   | 0                | 0.044          | 1,700                    | 0.50              |
| 72MS3         | 0.149       |  |              |              |                       |         |       | 0.014 |       | 1,900            |                |                          |                   |
| 72MSC1        | 0.104       |  |              |              |                       |         |       | 0.011 |       | 0.104            | 1,400          |                          |                   |
| <b>4-Bolt</b> |             |  |              |              |                       |         |       |       |       |                  |                |                          |                   |
| 208           | 80MSC1      | 4 11/16                                | 17/32        | 1/2          | 3 9/16                | 5 13/16 | 49/64 | 0.134 | 13/32 | 0.013            | 0.107          | 1,700                    | 0.80              |
| 209           | 85MSC1      | 4 3/4                                  | 17/32        | 1/2          | 3 13/16               | 5 7/8   | 49/64 | 0.134 | 7/16  | 0.013            | 0.107          | 1,700                    | 1.00              |
| 210           | 90MSC1      | 5                                      | 17/32        | 1/2          | 4                     | 6 1/8   | 49/64 | 0.149 | 7/16  | 0                | 0.077          | 1,900                    | 1.00              |
| 211           | 100MSC1     | 5 7/16                                 | 17/32        | 1/2          | 4 7/16                | 6 9/16  | 49/64 | 0.149 | 15/32 | 0                | 0.077          | 1,900                    | 1.10              |

### Additional Notes

- Please call 1-866-REXNORD for availability
- Assembly requires two housing halves
- For bearing insert information, see Unmounted Ball Bearings section
- Note: Dimensions subject to change. Certified dimensions of ordered material furnished on request.

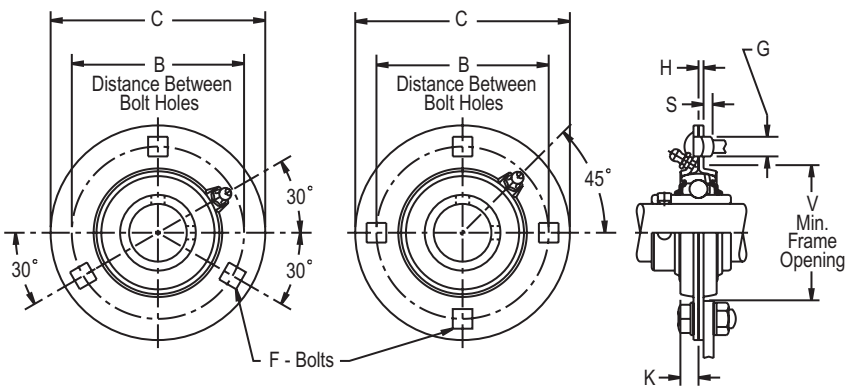
## GMSA, GMSB



Photo Shows a Formed Steel 3-Bolt or 4-Bolt Round Flanged Housing Half

### Product Features

- 2-piece formed steel housing
- For collar mounted, round, square or hex bore bearings
- Alignable & relubricatable
- 3 or 4-bolt carriage mounting
- Bearing not included
- See Features & Benefits for additional info.



### Bearing Dimensions

| Size Code     | Part Number | B<br>Distance<br>Between<br>Bolt Holes | F                             |                              | V<br>Frame<br>Opening           | C                               | G                             | H     | K                             | S Carriage Bolts |               | Radial<br>Load<br>Rating | Approx.<br>Weight |
|---------------|-------------|--|-------------------------------|------------------------------|---------------------------------|---------------------------------|-------------------------------|-------|-------------------------------|------------------|---------------|--------------------------|-------------------|
|               |             |  | Hole<br>Size                  | Bolt<br>Size                 |                                 |                                 |                               |       |                               | Short<br>Shank   | Long<br>Shank |                          |                   |
| <b>3-Bolt</b> |             |  |                               |                              |                                 |                                 |                               |       |                               |                  |               |                          |                   |
| 205           | G52MSA      | 3                                      | <sup>11</sup> / <sub>32</sub> | <sup>5</sup> / <sub>16</sub> | 2 <sup>3</sup> / <sub>8</sub>   | 3 <sup>3</sup> / <sub>4</sub>   | <sup>1</sup> / <sub>2</sub>   | 0.083 | <sup>11</sup> / <sub>32</sub> | 0.021            | 0.115         | 800                      | 0.30              |
| 206           | G62MSA      | 3 <sup>9</sup> / <sub>16</sub>         | <sup>13</sup> / <sub>32</sub> | <sup>3</sup> / <sub>8</sub>  | 2 <sup>13</sup> / <sub>16</sub> | 4 <sup>7</sup> / <sub>16</sub>  | <sup>19</sup> / <sub>32</sub> | 0.104 | <sup>3</sup> / <sub>8</sub>   | 0.011            | 0.104         | 1,100                    | 0.50              |
|               | G62MSA3     |  |                               |                              |                                 |                                 |                               | 0     |                               | 0.044            | 1,400         |                          |                   |
|               | G62MSB      |  |                               |                              |                                 |                                 |                               | 0.104 |                               | 0.011            | 0.104         | 1,100                    |                   |
|               | G62MSB3     |  |                               |                              |                                 |                                 |                               | 0     |                               | 0.044            | 1,400         |                          |                   |
| 207           | G72MSA      | 3 <sup>15</sup> / <sub>16</sub>        | <sup>13</sup> / <sub>32</sub> | <sup>3</sup> / <sub>8</sub>  | 3 <sup>3</sup> / <sub>16</sub>  | 4 <sup>13</sup> / <sub>16</sub> | <sup>13</sup> / <sub>32</sub> | 0.134 | <sup>7</sup> / <sub>16</sub>  | 0                | 0.044         | 1,400                    | 0.50              |
|               | G72MSB      |  |                               |                              |                                 |                                 |                               | 0     |                               | 0.044            | 1,400         |                          |                   |
| <b>4-Bolt</b> |             |  |                               |                              |                                 |                                 |                               |       |                               |                  |               |                          |                   |
| 208           | G80MSA      | 4 <sup>11</sup> / <sub>16</sub>        | <sup>17</sup> / <sub>32</sub> | <sup>1</sup> / <sub>2</sub>  | 3 <sup>9</sup> / <sub>16</sub>  | 5 <sup>13</sup> / <sub>16</sub> | <sup>49</sup> / <sub>64</sub> | 0.149 | <sup>5</sup> / <sub>8</sub>   | 0.013            | 0.107         | 1,700                    | 0.90              |
|               | G80MSB      |  |                               |                              |                                 |                                 |                               |       |                               |                  |               |                          |                   |
| 209           | G85MSA      | 4 <sup>3</sup> / <sub>4</sub>          | <sup>17</sup> / <sub>32</sub> | <sup>1</sup> / <sub>2</sub>  | 3 <sup>13</sup> / <sub>16</sub> | 5 <sup>7</sup> / <sub>8</sub>   | <sup>49</sup> / <sub>64</sub> | 0.149 | <sup>5</sup> / <sub>8</sub>   | 0.013            | 0.107         | 1,700                    | 0.90              |
|               | G85MSB      |  |                               |                              |                                 |                                 |                               |       |                               |                  |               |                          |                   |
| 210           | G90MSA      | 5                                      | <sup>17</sup> / <sub>32</sub> | <sup>1</sup> / <sub>2</sub>  | 4                               | 6 <sup>1</sup> / <sub>8</sub>   | <sup>49</sup> / <sub>64</sub> | 0.164 | <sup>1</sup> / <sub>2</sub>   | 0                | 0.077         | 1,900                    | 1.00              |
|               | G90MSB      |  |                               |                              |                                 |                                 |                               |       |                               |                  |               |                          |                   |
| 211           | G100MSA     | 5 <sup>7</sup> / <sub>16</sub>         | <sup>17</sup> / <sub>32</sub> | <sup>1</sup> / <sub>2</sub>  | 4 <sup>9</sup> / <sub>16</sub>  | 6 <sup>9</sup> / <sub>16</sub>  | <sup>49</sup> / <sub>64</sub> | 0.164 | <sup>5</sup> / <sub>8</sub>   | 0                | 0.077         | 2,300                    | 1.20              |
|               | G100MSB     |  |                               |                              |                                 |                                 |                               |       |                               |                  |               |                          |                   |

### Additional Notes

- Please call 1-866-REXNORD for availability
- Assembly requires one GMSA & one GMSB
- For bearing insert information, see Unmounted Ball Bearings section
- G100MSA & G100MSB hole tolerance +/- .015 in (+/- .038 mm)
- GMSA are housing halves with straight lube fittings
- GMSB are housing halves without fittings
- Note: Dimensions subject to change. Certified dimensions of ordered material furnished on request.





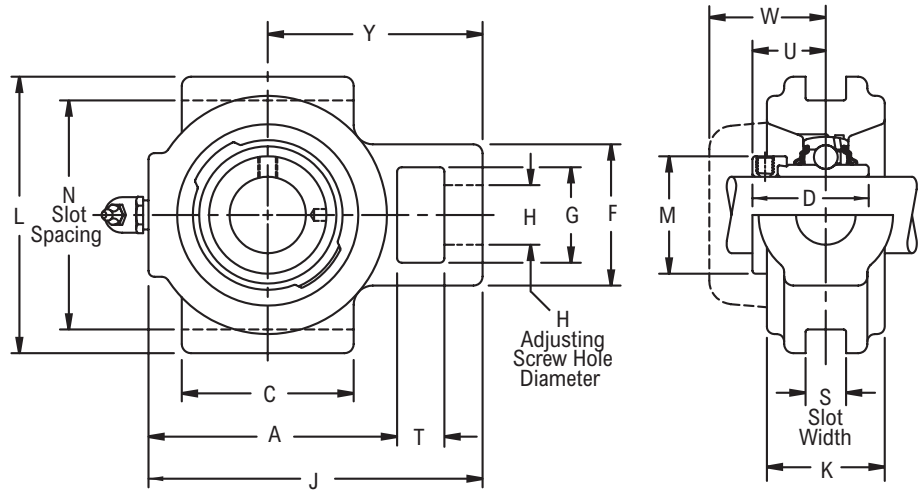
# T3Y200



Photo Shows a Ball Bearing Take-up Unit

## Product Features

- Corrosion-resistant powder coating
- Cast iron housing
- Standard slot design
- Broad range of sealing options
- Wide inner ring for increased shaft stability
- Eccentric cam locking device
- Alignable & relubricatable
- See Features & Benefits for additional info.



## Bearing Dimensions

| Size Code | Shaft Diameter   | Part Number | H Adjusting Screw Clearance | N Slot Spacing | S Slot Width | A                | C              | D                | F                | G                | J                | K                | L              | T              | U                | W                | Y                | Approx. Weight |
|-----------|------------------|-------------|-----------------------------|----------------|--------------|------------------|----------------|------------------|------------------|------------------|------------------|------------------|----------------|----------------|------------------|------------------|------------------|----------------|
| 203       | $\frac{5}{8}$    | T3Y210N*■   | $\frac{9}{16}$              | 1.875          | 0.281        | $2\frac{3}{16}$  | $1\frac{7}{8}$ | $1\frac{15}{32}$ | $1\frac{11}{16}$ | $1\frac{1}{16}$  | 3                | $\frac{13}{16}$  | $2\frac{1}{4}$ | $\frac{1}{2}$  | $\frac{59}{64}$  | $1\frac{13}{64}$ | $1\frac{15}{16}$ | 1.00           |
|           | $\frac{11}{16}$  | T3Y211N*■   |                             |                |              |                  |                |                  |                  |                  |                  |                  |                |                |                  |                  |                  |                |
| 204       | $\frac{1}{2}$    | T3Y2B08N*■  | $\frac{9}{16}$              | 2.125          | 0.281        | $2\frac{1}{2}$   | $1\frac{7}{8}$ | $1\frac{23}{32}$ | $1\frac{11}{16}$ | $1\frac{1}{16}$  | $3\frac{5}{16}$  | $\frac{15}{16}$  | $2\frac{5}{8}$ | $\frac{1}{2}$  | $1\frac{3}{64}$  | $1\frac{5}{16}$  | $2\frac{3}{32}$  | 1.50           |
|           | $\frac{3}{4}$    | T3Y212N*■   |                             |                |              |                  |                |                  |                  |                  |                  |                  |                |                |                  |                  |                  |                |
| 205       | $\frac{7}{8}$    | T3Y214NΔ*■  | $\frac{9}{16}$              | 2.375          | 0.281        | $2\frac{3}{4}$   | 2              | $1\frac{3}{4}$   | $1\frac{11}{16}$ | $1\frac{1}{16}$  | $3\frac{9}{16}$  | 1                | $2\frac{7}{8}$ | $\frac{1}{2}$  | $1\frac{1}{16}$  | $1\frac{5}{16}$  | $2\frac{7}{32}$  | 2.00           |
|           | $\frac{15}{16}$  | T3Y215NΔ*■  |                             |                |              |                  |                |                  |                  |                  |                  |                  |                |                |                  |                  |                  |                |
|           | 1                | T3Y216NΔ*■  |                             |                |              |                  |                |                  |                  |                  |                  |                  |                |                |                  |                  |                  |                |
| 206       | $1\frac{1}{8}$   | T3Y218N*■   | $\frac{5}{8}$               | 2.875          | 0.406        | $3\frac{1}{4}$   | $2\frac{3}{8}$ | $1\frac{29}{32}$ | $1\frac{7}{8}$   | $1\frac{1}{8}$   | $4\frac{3}{16}$  | $1\frac{3}{32}$  | $3\frac{1}{2}$ | $\frac{9}{16}$ | $1\frac{3}{16}$  | $1\frac{29}{64}$ | $2\frac{19}{32}$ | 3.00           |
|           | $1\frac{3}{16}$  | T3Y219N*■   |                             |                |              |                  |                |                  |                  |                  |                  |                  |                |                |                  |                  |                  |                |
|           | $1\frac{1}{4}$   | T3Y2E20N*■  |                             |                |              |                  |                |                  |                  |                  |                  |                  |                |                |                  |                  |                  |                |
| 207       | $1\frac{1}{4}$   | T3Y220NΔ*■  | $\frac{11}{16}$             | 3.375          | 0.406        | $3\frac{11}{16}$ | $2\frac{5}{8}$ | $2\frac{1}{64}$  | 2                | $1\frac{1}{4}$   | $4\frac{11}{16}$ | $1\frac{3}{16}$  | 4              | $\frac{5}{8}$  | $1\frac{9}{32}$  | $1\frac{35}{64}$ | $2\frac{7}{8}$   | 3.40           |
|           | $1\frac{3}{8}$   | T3Y222NΔ*■  |                             |                |              |                  |                |                  |                  |                  |                  |                  |                |                |                  |                  |                  |                |
|           | $1\frac{7}{16}$  | T3Y223NΔ*■  |                             |                |              |                  |                |                  |                  |                  |                  |                  |                |                |                  |                  |                  |                |
| 208       | $1\frac{1}{2}$   | T3Y224NΔ*■  | $\frac{11}{16}$             | 3.500          | 0.406        | $4\frac{1}{16}$  | $2\frac{7}{8}$ | $2\frac{7}{32}$  | 2                | $1\frac{1}{4}$   | $5\frac{1}{8}$   | $1\frac{11}{32}$ | $4\frac{1}{8}$ | $\frac{5}{8}$  | $1\frac{3}{8}$   | $1\frac{41}{64}$ | $3\frac{1}{8}$   | 4.50           |
|           | $1\frac{5}{8}$   | T3Y226NΔ*■  |                             |                |              |                  |                |                  |                  |                  |                  |                  |                |                |                  |                  |                  |                |
| 209       | $1\frac{11}{16}$ | T3Y227NΔ*■  | $\frac{7}{8}$               | 3.750          | 0.406        | $4\frac{5}{16}$  | $3\frac{1}{8}$ | $2\frac{7}{32}$  | $2\frac{1}{4}$   | $1\frac{7}{16}$  | $5\frac{3}{8}$   | $1\frac{3}{8}$   | $4\frac{1}{2}$ | $\frac{5}{8}$  | $1\frac{3}{8}$   | $1\frac{21}{32}$ | $3\frac{1}{4}$   | 5.30           |
|           | $1\frac{3}{4}$   | T3Y228NΔ*■  |                             |                |              |                  |                |                  |                  |                  |                  |                  |                |                |                  |                  |                  |                |
|           | $1\frac{15}{16}$ | T3Y231NΔ*■  |                             |                |              |                  |                |                  |                  |                  |                  |                  |                |                |                  |                  |                  |                |
| 210       | 2                | T3Y232NΔ*■  | $\frac{7}{8}$               | 4.000          | 0.406        | $4\frac{9}{16}$  | $3\frac{1}{4}$ | $2\frac{15}{32}$ | $2\frac{1}{4}$   | $1\frac{7}{16}$  | $5\frac{5}{8}$   | $1\frac{13}{32}$ | $4\frac{3}{4}$ | $\frac{5}{8}$  | $1\frac{1}{2}$   | $1\frac{53}{64}$ | $3\frac{3}{8}$   | 6.00           |
|           | $2\frac{3}{16}$  | T3Y235NΔ*■  |                             |                |              |                  |                |                  |                  |                  |                  |                  |                |                |                  |                  |                  |                |
| 211       | 2                | T3Y232NΔ*■  | $1\frac{1}{8}$              | 4.500          | 0.531        | 5                | $3\frac{3}{4}$ | $2\frac{13}{16}$ | $2\frac{7}{8}$   | $1\frac{15}{16}$ | $6\frac{1}{4}$   | $1\frac{9}{16}$  | $5\frac{1}{4}$ | $\frac{3}{4}$  | $1\frac{23}{32}$ | $2\frac{1}{64}$  | $3\frac{25}{32}$ | 7.60           |
|           | $2\frac{3}{16}$  | T3Y235NΔ*■  |                             |                |              |                  |                |                  |                  |                  |                  |                  |                |                |                  |                  |                  |                |

## Additional Notes

Please call 1-866-REXNORD for availability  
 Lubrication fitting tap size: for size code 203, 1/4 in-28 UNF: for all other size codes, 1/8 in PT

\* N lip seals standard

■ Available with H labyrinth seals

Δ Available with E3 triple lip seals

For the Selection Guide, Load Ratings and Speed Limits, see the Link-Belt 200 Series Ball Bearing Engineering section

Note: Dimensions subject to change. Certified dimensions of ordered material furnished on request.

# T3U200

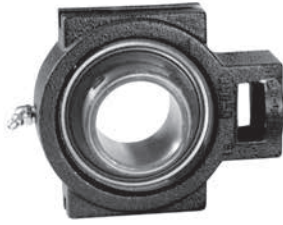
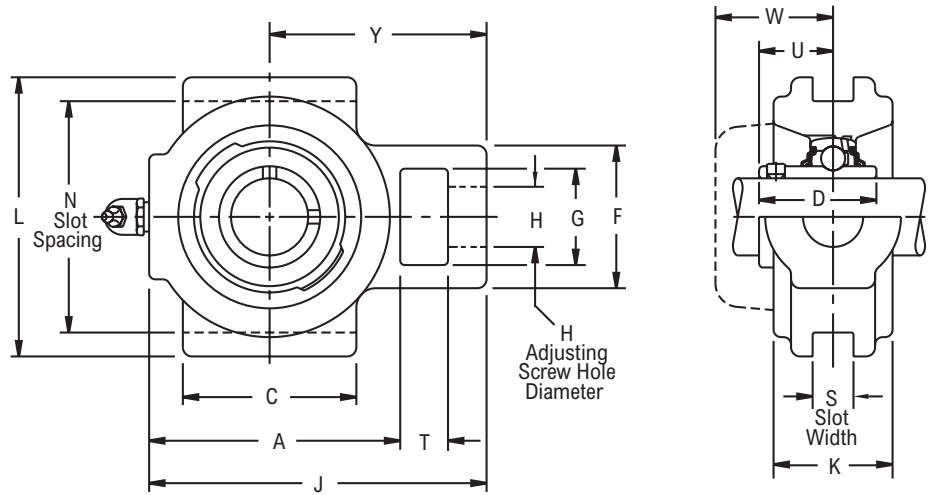


Photo Shows a Ball Bearing Take-up Unit

## Product Features

- Corrosion-resistant powder coating
- Cast iron housing
- Standard slot design
- Broad range of sealing options
- Wide inner ring for increased shaft stability
- Spring locking setscrew mount
- Alignable & relubricatable
- See Features & Benefits for additional info.



## Bearing Dimensions

| Size Code | Shaft Diameter | Part Number | H Adjusting Screw Clearance | N Slot Spacing | S Slot Width | A       | C     | D       | F       | G       | J       | K       | L      | T     | U       | W       | Y       | Approx. Weight |
|-----------|----------------|-------------|-----------------------------|----------------|--------------|---------|-------|---------|---------|---------|---------|---------|--------|-------|---------|---------|---------|----------------|
| 203       | 5/8            | T3U210N*■   | 9/16                        | 1 7/8          | 0.281        | 2 3/16  | 1 7/8 | 1 3/32  | 1 11/16 | 1 1/16  | 3       | 13/16   | 2 1/4  | 1/2   | 41/64   | 1 13/64 | 1 15/16 | 1.00           |
|           | 11/16          | T3U211N*■   |                             |                |              |         |       |         |         |         |         |         |        |       |         |         |         |                |
|           | 1/2            | T3U2B08N*■  |                             |                |              |         |       |         |         |         |         |         |        |       |         |         |         |                |
|           | 17.00          | T3U2M17N*■  | 14.30                       | 47.620         | 7.140        | 55.60   | 47.60 | 27.78   | 42.90   | 27.00   | 76.20   | 20.60   | 57.20  | 12.70 | 16.30   | 30.60   | 49.20   | 0.45           |
| 204       | 3/4            | T3U212N*■   | 9/16                        | 2 1/8          | 0.281        | 2 1/2   | 1 7/8 | 1 9/32  | 1 11/16 | 1 1/16  | 3 5/16  | 15/16   | 2 5/8  | 1/2   | 3/4     | 1 5/16  | 2 3/32  | 1.50           |
|           | 20.00          | T3U2M20N*■  |                             |                |              |         |       |         |         |         |         |         |        |       |         |         |         |                |
| 205       | 7/8            | T3U214N*■   | 9/16                        | 2 3/8          | 0.281        | 2 3/4   | 2     | 1 23/64 | 1 11/16 | 1 1/16  | 3 9/16  | 1       | 2 7/8  | 1/2   | 51/64   | 1 5/16  | 2 7/32  | 2.00           |
|           | 15/16          | T3U215N*Δ   |                             |                |              |         |       |         |         |         |         |         |        |       |         |         |         |                |
|           | 1              | T3U216N*Δ   |                             |                |              |         |       |         |         |         |         |         |        |       |         |         |         |                |
|           | 25.00          | T3U2M25N*■  |                             |                |              |         |       |         |         |         |         |         |        |       |         |         |         |                |
| 206       | 1 1/8          | T3U218N*■   | 5/8                         | 2 7/8          | 0.406        | 3 1/4   | 2 3/8 | 1 9/16  | 1 7/8   | 1 1/8   | 4 3/16  | 1 3/32  | 3 1/2  | 9/16  | 61/64   | 1 29/64 | 2 19/32 | 3.00           |
|           | 1 3/16         | T3U219N*■   |                             |                |              |         |       |         |         |         |         |         |        |       |         |         |         |                |
|           | 1 1/4          | T3U2E20N*■  |                             |                |              |         |       |         |         |         |         |         |        |       |         |         |         |                |
|           | 30.00          | T3U2M30N*■  |                             |                |              |         |       |         |         |         |         |         |        |       |         |         |         |                |
| 207       | 1 1/4          | T3U220N*Δ   | 11/16                       | 3 3/8          | 0.406        | 3 11/16 | 2 5/8 | 1 49/64 | 2       | 1 1/4   | 4 11/16 | 1 3/16  | 4      | 5/8   | 1 7/64  | 1 35/64 | 2 7/8   | 3.40           |
|           | 1 3/8          | T3U222N*Δ   |                             |                |              |         |       |         |         |         |         |         |        |       |         |         |         |                |
|           | 1 7/16         | T3U223N*Δ   |                             |                |              |         |       |         |         |         |         |         |        |       |         |         |         |                |
|           | 35.00          | T3U2M35N*Δ  | 17.50                       | 85.720         | 10.310       | 93.70   | 66.70 | 44.85   | 50.80   | 31.80   | 119.10  | 30.20   | 101.60 | 15.90 | 28.20   | 39.30   | 73.00   | 1.50           |
| 208       | 1 1/2          | T3U224N*■   | 11/16                       | 3 1/2          | 0.406        | 4 1/16  | 2 7/8 | 1 29/32 | 2       | 1 1/4   | 5 1/8   | 1 11/32 | 4 1/8  | 5/8   | 1 11/64 | 1 41/64 | 3 1/8   | 4.50           |
|           | 40.00          | T3U2M40N*Δ  |                             |                |              |         |       |         |         |         |         |         |        |       |         |         |         |                |
| 209       | 1 5/8          | T3U226N*Δ   | 7/8                         | 3 3/4          | 0.406        | 4 5/16  | 3 1/8 | 2 1/32  | 2 1/4   | 1 7/16  | 5 3/8   | 1 3/8   | 4 1/2  | 5/8   | 1 15/64 | 1 21/32 | 3 1/4   | 5.30           |
|           | 1 11/16        | T3U227N*Δ   |                             |                |              |         |       |         |         |         |         |         |        |       |         |         |         |                |
|           | 1 3/4          | T3U228N*Δ   |                             |                |              |         |       |         |         |         |         |         |        |       |         |         |         |                |
|           | 45.00          | T3U2M45N*Δ  |                             |                |              |         |       |         |         |         |         |         |        |       |         |         |         |                |
| 210       | 1 15/16        | T3U231N*Δ   | 7/8                         | 4              | 0.406        | 4 9/16  | 3 1/4 | 2 3/32  | 2 1/4   | 1 7/16  | 5 5/8   | 1 13/32 | 4 3/4  | 5/8   | 1 17/64 | 1 53/64 | 3 3/8   | 6.00           |
|           | 2              | T3U2E32N*Δ  |                             |                |              |         |       |         |         |         |         |         |        |       |         |         |         |                |
|           | 50.00          | T3U2M50N*Δ  | 22.20                       | 101.600        | 10.310       | 115.90  | 82.60 | 53.18   | 57.20   | 36.50   | 142.90  | 35.70   | 120.60 | 15.90 | 32.10   | 46.40   | 85.70   | 2.70           |
| 211       | 2              | T3U232N*■   | 1 1/8                       | 4 1/2          | 0.531        | 5       | 3 3/4 | 2 1/4   | 2 7/8   | 1 15/16 | 6 1/4   | 1 9/16  | 5 1/4  | 3/4   | 1 13/32 | 2 1/64  | 3 25/32 | 7.60           |
|           | 2 3/16         | T3U235N*Δ   |                             |                |              |         |       |         |         |         |         |         |        |       |         |         |         |                |
|           | 55.00          | T3U2M55N*Δ  |                             |                |              |         |       |         |         |         |         |         |        |       |         |         |         |                |

## Additional Notes

Please call 1-866-REXNORD for availability  
 Lubrication fitting tap size: for size code 203, 1/4 in-28 UNF; for all other size codes, 1/8 in PT

\* N lip seals standard

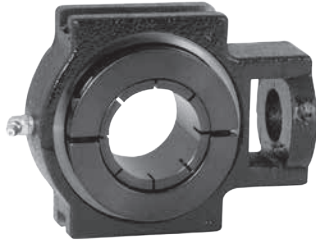
■ Available with H labyrinth seals

Δ Available with E3 triple lip seals

For the Selection Guide, Load Ratings and Speed Limits, see the Link-Belt 200 Series Ball Bearing Engineering section

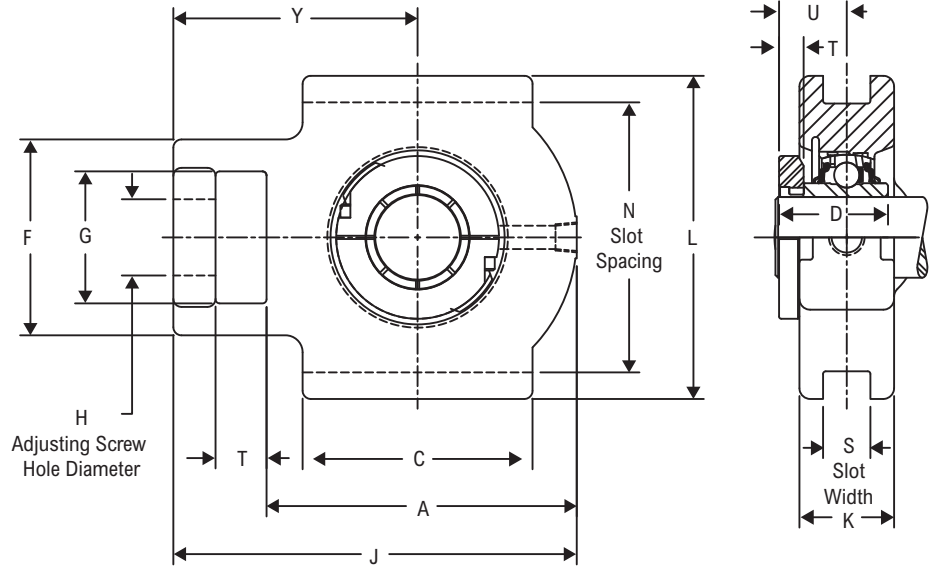
Note: Dimensions subject to change. Certified dimensions of ordered material furnished on request.

# TH3CL200



## Product Features

- Corrosion-resistant powder coating
- Cast iron housing
- Wide slot design
- Broad range of sealing options
- Wide inner ring for increased shaft stability
- Alignable & relubricatable
- See Features & Benefits for additional info.



## Bearing Dimensions

| Size Code | Shaft Diameter | Part Number          | H Adjusting Screw Clearance | N Slot Spacing | S Slot Width | A                               | C     | D                               | F                               | G                               | J                               | K                               | L      | T     | U     | Y                               | W                               | Approx. Weight |
|-----------|----------------|----------------------|-----------------------------|----------------|--------------|---------------------------------|-------|---------------------------------|---------------------------------|---------------------------------|---------------------------------|---------------------------------|--------|-------|-------|---------------------------------|---------------------------------|----------------|
| 204       | 1/2            | TH3CL2B08N* <b>■</b> | 3/4                         | 3              | 0.531        | 2 <sup>27</sup> / <sub>32</sub> | 2 1/4 | 1 <sup>11</sup> / <sub>32</sub> | 1 7/8                           | 1 1/4                           | 3 <sup>31</sup> / <sub>32</sub> | 1 1/16                          | 3 5/8  | 5/8   | 0.84  | 2 <sup>21</sup> / <sub>32</sub> | 1 <sup>21</sup> / <sub>64</sub> | 2.40           |
|           | 3/4            | TH3CL212N* <b>■</b>  |                             |                |              |                                 |       |                                 |                                 |                                 |                                 |                                 |        |       |       |                                 |                                 |                |
|           | 20.00          | TH3CL2M20N* <b>■</b> | 19.05                       | 76.200         | 13.490       | 72.20                           | 57.20 | 34.04                           | 47.60                           | 31.80                           | 100.80                          | 27.00                           | 92.10  | 15.90 | 21.34 | 67.50                           | 33.78                           | 1.10           |
| 205       | 7/8            | TH3CL214N* <b>▲</b>  | 3/4                         | 3              | 0.531        | 2 <sup>29</sup> / <sub>32</sub> | 2 1/4 | 1 3/8                           | 1 <sup>27</sup> / <sub>32</sub> | 1 1/4                           | 4 1/32                          | 1 3/32                          | 3 5/8  | 5/8   | 0.81  | 2 <sup>21</sup> / <sub>32</sub> | 1 5/16                          | 2.70           |
|           | 15/16          | TH3CL215N* <b>▲</b>  |                             |                |              |                                 |       |                                 |                                 |                                 |                                 |                                 |        |       |       |                                 |                                 |                |
|           | 1              | TH3CL216N* <b>▲</b>  |                             |                |              |                                 |       |                                 |                                 |                                 |                                 |                                 |        |       |       |                                 |                                 |                |
|           | 25.00          | TH3CL2M25N* <b>■</b> | 19.05                       | 76.200         | 13.490       | 73.80                           | 57.20 | 34.80                           | 46.80                           | 31.80                           | 102.40                          | 27.80                           | 92.10  | 15.90 | 20.57 | 67.50                           | 33.27                           | 1.20           |
| 206       | 1              | TH3CL2B16N* <b>■</b> | 7/8                         | 3 1/2          | 0.531        | 3 <sup>11</sup> / <sub>32</sub> | 2 1/2 | 1 9/16                          | 2 3/16                          | 1 7/16                          | 4 <sup>15</sup> / <sub>32</sub> | 1 3/32                          | 4 1/8  | 5/8   | 0.95  | 2 <sup>27</sup> / <sub>32</sub> | 1 <sup>15</sup> / <sub>32</sub> | 3.20           |
|           | 1 1/8          | TH3CL218N* <b>■</b>  |                             |                |              |                                 |       |                                 |                                 |                                 |                                 |                                 |        |       |       |                                 |                                 |                |
|           | 1 3/16         | TH3CL219N* <b>■</b>  |                             |                |              |                                 |       |                                 |                                 |                                 |                                 |                                 |        |       |       |                                 |                                 |                |
|           | 1 1/4          | TH3CL2E20N* <b>■</b> |                             |                |              |                                 |       |                                 |                                 |                                 |                                 |                                 |        |       |       |                                 |                                 |                |
|           | 30.00          | TH3CL2M30N* <b>■</b> | 22.23                       | 88.900         | 13.490       | 84.90                           | 63.50 | 39.62                           | 55.60                           | 36.50                           | 113.50                          | 27.80                           | 104.80 | 15.90 | 24.13 | 72.20                           | 37.34                           | 1.45           |
| 207       | 1 3/16         | TH3CL2B19N* <b>▲</b> | 7/8                         | 3 1/2          | 0.531        | 3 <sup>11</sup> / <sub>16</sub> | 2 3/4 | 1 3/4                           | 2 5/16                          | 1 7/16                          | 4 <sup>13</sup> / <sub>16</sub> | 1 3/16                          | 4 1/8  | 5/8   | 1.09  | 2 <sup>31</sup> / <sub>32</sub> | 1 <sup>37</sup> / <sub>64</sub> | 4.00           |
|           | 1 1/4          | TH3CL220N* <b>▲</b>  |                             |                |              |                                 |       |                                 |                                 |                                 |                                 |                                 |        |       |       |                                 |                                 |                |
|           | 1 3/8          | TH3CL222N* <b>▲</b>  |                             |                |              |                                 |       |                                 |                                 |                                 |                                 |                                 |        |       |       |                                 |                                 |                |
|           | 1 7/16         | TH3CL223N* <b>▲</b>  |                             |                |              |                                 |       |                                 |                                 |                                 |                                 |                                 |        |       |       |                                 |                                 |                |
|           | 35.00          | TH3CL2M35N* <b>▲</b> | 22.23                       | 88.900         | 13.490       | 93.70                           | 69.90 | 44.45                           | 58.70                           | 36.50                           | 122.20                          | 30.20                           | 104.80 | 15.90 | 27.69 | 75.40                           | 40.13                           | 1.80           |
| 208       | 1 7/16         | TH3CL2B23N* <b>▲</b> | 1 1/8                       | 3.969          | 0.688        | 4 <sup>3</sup> / <sub>16</sub>  | 3 1/4 | 1 <sup>15</sup> / <sub>16</sub> | 2 <sup>27</sup> / <sub>32</sub> | 1 <sup>15</sup> / <sub>16</sub> | 5 <sup>9</sup> / <sub>16</sub>  | 1 5/16                          | 4 3/4  | 3/4   | 1.22  | 3 <sup>15</sup> / <sub>32</sub> | 1 <sup>43</sup> / <sub>64</sub> | 5.30           |
|           | 1 1/2          | TH3CL224N* <b>▲</b>  |                             |                |              |                                 |       |                                 |                                 |                                 |                                 |                                 |        |       |       |                                 |                                 |                |
|           | 1 5/8          | TH3CL2E26N* <b>▲</b> |                             |                |              |                                 |       |                                 |                                 |                                 |                                 |                                 |        |       |       |                                 |                                 |                |
|           | 40.00          | TH3CL2M40N* <b>▲</b> | 28.60                       | 100.810        | 17.480       | 106.40                          | 82.60 | 49.28                           | 72.20                           | 49.20                           | 141.30                          | 33.30                           | 120.70 | 19.00 | 30.73 | 88.10                           | 42.42                           | 2.40           |
| 209       | 1 1/2          | TH3CL2B24N* <b>▲</b> | 1 1/8                       | 3.969          | 0.688        | 4 <sup>3</sup> / <sub>16</sub>  | 3 1/4 | 1 <sup>61</sup> / <sub>64</sub> | 2 7/8                           | 1 <sup>15</sup> / <sub>16</sub> | 5 <sup>9</sup> / <sub>16</sub>  | 1 3/8                           | 4 3/4  | 3/4   | 1.20  | 3 <sup>15</sup> / <sub>32</sub> | 1 <sup>11</sup> / <sub>16</sub> | 5.30           |
|           | 1 5/8          | TH3CL226N* <b>▲</b>  |                             |                |              |                                 |       |                                 |                                 |                                 |                                 |                                 |        |       |       |                                 |                                 |                |
|           | 1 11/16        | TH3CL227N* <b>▲</b>  |                             |                |              |                                 |       |                                 |                                 |                                 |                                 |                                 |        |       |       |                                 |                                 |                |
|           | 1 3/4          | TH3CL228N* <b>▲</b>  |                             |                |              |                                 |       |                                 |                                 |                                 |                                 |                                 |        |       |       |                                 |                                 |                |
|           | 45.00          | TH3CL2M45N* <b>▲</b> | 28.60                       | 100.810        | 17.480       | 106.40                          | 82.60 | 49.53                           | 73.00                           | 49.20                           | 141.30                          | 34.90                           | 120.70 | 19.00 | 30.48 | 88.10                           | 42.67                           | 2.40           |
| 210       | 1 11/16        | TH3CL2B27N* <b>▲</b> | 1 1/8                       | 3.969          | 0.688        | 4 <sup>9</sup> / <sub>16</sub>  | 3 3/8 | 2 5/64                          | 2 7/8                           | 1 <sup>15</sup> / <sub>16</sub> | 5 <sup>15</sup> / <sub>16</sub> | 1 <sup>43</sup> / <sub>64</sub> | 4 3/4  | 3/4   | 1.33  | 3 <sup>19</sup> / <sub>32</sub> | 1 <sup>51</sup> / <sub>64</sub> | 6.60           |
|           | 1 3/4          | TH3CL2B28N* <b>▲</b> |                             |                |              |                                 |       |                                 |                                 |                                 |                                 |                                 |        |       |       |                                 |                                 |                |
|           | 1 7/8          | TH3CL230N* <b>▲</b>  |                             |                |              |                                 |       |                                 |                                 |                                 |                                 |                                 |        |       |       |                                 |                                 |                |
|           | 1 15/16        | TH3CL231N* <b>▲</b>  |                             |                |              |                                 |       |                                 |                                 |                                 |                                 |                                 |        |       |       |                                 |                                 |                |
|           | 2              | TH3CL2E32N* <b>▲</b> |                             |                |              |                                 |       |                                 |                                 |                                 |                                 |                                 |        |       |       |                                 |                                 |                |
|           | 50.00          | TH3CL2M50N* <b>▲</b> | 28.60                       | 100.810        | 17.480       | 115.90                          | 85.70 | 52.58                           | 73.00                           | 49.20                           | 150.80                          | 42.50                           | 120.70 | 19.00 | 33.53 | 91.30                           | 45.72                           | 3.00           |
| 211       | 1 15/16        | TH3CL2B31N* <b>▲</b> | 1 3/8                       | 5.094          | 1.062        | 5 <sup>7</sup> / <sub>16</sub>  | 4     | 2 <sup>15</sup> / <sub>64</sub> | 3 <sup>19</sup> / <sub>32</sub> | 2 1/2                           | 7 <sup>7</sup> / <sub>16</sub>  | 1 3/4                           | 5 7/8  | 1 1/4 | 1.41  | 4 <sup>23</sup> / <sub>32</sub> | 1 <sup>15</sup> / <sub>16</sub> | 13.50          |
|           | 2              | TH3CL232N* <b>▲</b>  |                             |                |              |                                 |       |                                 |                                 |                                 |                                 |                                 |        |       |       |                                 |                                 |                |

Continued...

Continued...

**Bearing Dimensions**

| Size Code | Shaft Diameter | Part Number   | H Adjusting Screw Clearance | N Slot Spacing | S Slot Width | A      | C | D       | F       | G     | J      | K      | L     | T     | U    | Y       | W       | Approx. Weight |
|-----------|----------------|---------------|-----------------------------|----------------|--------------|--------|---|---------|---------|-------|--------|--------|-------|-------|------|---------|---------|----------------|
| 211       | 2 3/16         | TH3CL235N*Δ■  | 1 3/8                       | 5.094          | 1.062        | 5 7/16 | 4 | 2 15/64 | 3 19/32 | 2 1/2 | 7 7/16 | 1 3/4  | 5 7/8 | 1 1/4 | 1.41 | 4 23/32 | 1 15/16 | 13.50          |
|           | 2 1/4          | TH3CL2E36N*Δ■ |                             |                |              |        |   |         |         |       |        |        |       |       |      |         |         | 6.00           |
|           | 55.00          | TH3CL2M55N*Δ■ |                             |                |              |        |   |         |         |       |        |        |       |       |      |         |         | 34.90          |
| 212       | 2 3/16         | TH3CL2B35N*Δ■ | 1 3/8                       | 5.094          | 1.062        | 5 7/16 | 4 | 3 1/16  | 3 19/32 | 2 1/2 | 7 7/16 | 2 1/16 | 5 7/8 | 1 1/4 | 2.06 | 4 23/32 | 2 13/32 | 12.90          |
|           | 2 1/4          | TH3CL236N*Δ■  |                             |                |              |        |   |         |         |       |        |        |       |       |      |         |         | 5.80           |
|           | 2 3/8          | TH3CL238N*Δ■  |                             |                |              |        |   |         |         |       |        |        |       |       |      |         |         | 5.80           |
|           | 2 7/16         | TH3CL239N*Δ■  |                             |                |              |        |   |         |         |       |        |        |       |       |      |         |         | 5.80           |
|           | 60.00          | TH3CL2M60N*Δ■ |                             |                |              |        |   |         |         |       |        |        |       |       |      |         |         | 34.90          |

**Additional Notes**

Please call 1-866-REXNORD for availability  
 Lubrication fitting tap size, 1/8 in PT

\* N lip seals standard

■ Available with H labyrinth seals

Δ Available with E3 triple lip seals

For the Selection Guide, Load Ratings and Speed Limits, see the Link-Belt 200 Series Ball Bearing Engineering section

Note: Dimensions subject to change. Certified dimensions of ordered material furnished on request.

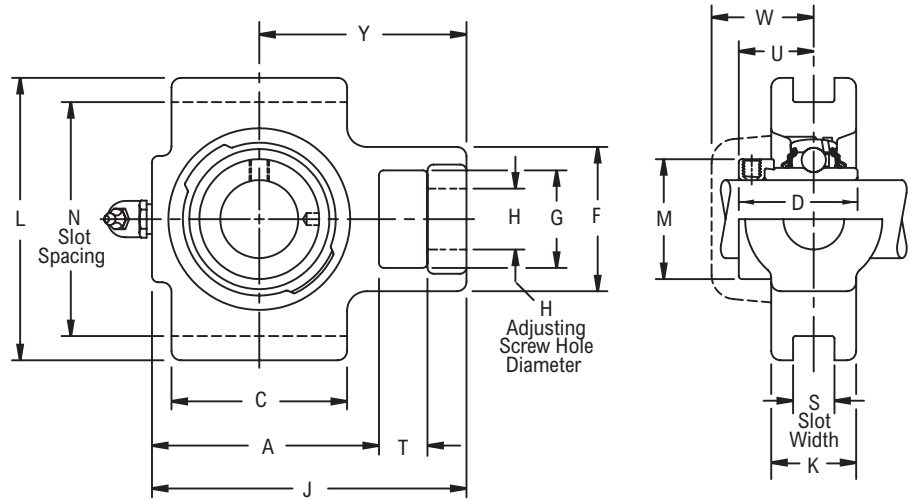
# TH3Y200



Photo Shows a Ball Bearing Take-up Unit

## Product Features

- Corrosion-resistant powder coating
- Cast iron housing
- Wide slot design
- Broad range of sealing options
- Wide inner ring for increased shaft stability
- Eccentric cam locking device
- Alignable & relubricatable
- See Features & Benefits for additional info.



## Bearing Dimensions

| Size Code | Shaft Diameter | Part Number  | H Adjusting Screw Clearance | N Slot Spacing | S Slot Width | A       | C     | D       | F       | G       | J       | K       | L     | T     | U       | W       | Y       | Approx. Weight |
|-----------|----------------|--|-----------------------------|----------------|--------------|---------|-------|---------|---------|---------|---------|---------|-------|-------|---------|---------|---------|----------------|
| 204       | 3/4            | TH3Y212N* <span style="background-color: black; color: white;">■</span>  | 3/4                         | 3              | 0.531        | 2 27/32 | 2 1/4 | 1 23/32 | 1 7/8   | 1 1/4   | 3 31/32 | 1 1/16  | 3 5/8 | 5/8   | 1 3/64  | 1 5/16  | 2 21/32 | 2.40           |
|           | 7/8            | TH3Y214N* <span style="background-color: black; color: white;">Δ</span>  |                             |                |              |         |       |         |         |         |         |         |       |       |         |         |         |                |
| 205       | 15/16          | TH3Y215N* <span style="background-color: black; color: white;">■</span>  | 3/4                         | 3              | 0.531        | 2 29/32 | 2 1/4 | 1 3/4   | 1 27/32 | 1 1/4   | 4 1/32  | 1 3/32  | 3 5/8 | 5/8   | 1 1/16  | 1 5/16  | 2 21/32 | 2.70           |
|           | 1              | TH3Y216N* <span style="background-color: black; color: white;">Δ</span>  |                             |                |              |         |       |         |         |         |         |         |       |       |         |         |         |                |
| 206       | 1 1/8          | TH3Y218N* <span style="background-color: black; color: white;">■</span>  | 7/8                         | 3 1/2          | 0.531        | 3 11/32 | 2 1/2 | 1 29/32 | 2 3/16  | 1 7/16  | 4 15/32 | 1 3/32  | 4 1/8 | 5/8   | 1 3/16  | 1 29/64 | 2 27/32 | 3.20           |
|           | 1 3/16         | TH3Y219N* <span style="background-color: black; color: white;">■</span>  |                             |                |              |         |       |         |         |         |         |         |       |       |         |         |         |                |
|           | 1 1/4          | TH3Y220N* <span style="background-color: black; color: white;">■</span>  |                             |                |              |         |       |         |         |         |         |         |       |       |         |         |         |                |
| 207       | 1 1/4          | TH3Y220N* <span style="background-color: black; color: white;">Δ</span>  | 7/8                         | 3 1/2          | 0.531        | 3 11/16 | 2 3/4 | 2 1/64  | 2 5/16  | 1 7/16  | 4 13/16 | 1 3/16  | 4 1/8 | 5/8   | 1 9/32  | 1 5/8   | 2 31/32 | 4.00           |
|           | 1 3/8          | TH3Y222N* <span style="background-color: black; color: white;">Δ</span>  |                             |                |              |         |       |         |         |         |         |         |       |       |         |         |         |                |
|           | 1 7/16         | TH3Y223N* <span style="background-color: black; color: white;">Δ</span>  |                             |                |              |         |       |         |         |         |         |         |       |       |         |         |         |                |
| 208       | 1 1/2          | TH3Y224N* <span style="background-color: black; color: white;">Δ</span>  | 1 1/8                       | 3.969          | 0.688        | 4 3/16  | 3 1/4 | 2 7/32  | 2 27/32 | 1 15/16 | 5 9/16  | 1 5/16  | 4 3/4 | 3/4   | 1 3/8   | 1 41/64 | 3 15/32 | 5.30           |
|           | 1 5/8          | TH3Y226N* <span style="background-color: black; color: white;">■</span>  |                             |                |              |         |       |         |         |         |         |         |       |       |         |         |         |                |
| 209       | 1 11/16        | TH3Y227N* <span style="background-color: black; color: white;">Δ</span>  | 1 1/8                       | 3.969          | 0.688        | 4 3/16  | 3 1/4 | 2 7/32  | 2 7/8   | 1 15/16 | 5 9/16  | 1 3/8   | 4 3/4 | 3/4   | 1 3/8   | 1 3/4   | 3 15/32 | 5.30           |
|           | 1 3/4          | TH3Y228N* <span style="background-color: black; color: white;">Δ</span>  |                             |                |              |         |       |         |         |         |         |         |       |       |         |         |         |                |
| 210       | 1 15/16        | TH3Y231N* <span style="background-color: black; color: white;">Δ</span>  | 1 1/8                       | 3.969          | 0.688        | 4 9/16  | 3 3/8 | 2 15/32 | 2 7/8   | 1 15/16 | 5 15/16 | 1 49/64 | 4 3/4 | 3/4   | 1 1/2   | 1 25/32 | 3 19/32 | 6.60           |
|           | 2              | TH3Y2E32N* <span style="background-color: black; color: white;">Δ</span> |                             |                |              |         |       |         |         |         |         |         |       |       |         |         |         |                |
| 211       | 2              | TH3Y232N* <span style="background-color: black; color: white;">Δ</span>  | 1 3/8                       | 5.094          | 1.062        | 5 7/16  | 4     | 2 13/16 | 3 19/32 | 2 1/2   | 7 7/16  | 1 3/4   | 5 7/8 | 1 1/4 | 1 23/32 | 2 1/64  | 4 23/32 | 13.50          |
|           | 2 3/16         | TH3Y235N* <span style="background-color: black; color: white;">Δ</span>  |                             |                |              |         |       |         |         |         |         |         |       |       |         |         |         |                |
| 212       | 2 1/4          | TH3Y236N* <span style="background-color: black; color: white;">Δ</span>  | 1 3/8                       | 5.094          | 1.062        | 5 7/16  | 4     | 3 1/16  | 3 19/32 | 2 1/2   | 7 7/16  | 2 1/16  | 5 7/8 | 1 1/4 | 1 27/32 | 2 7/64  | 4 23/32 | 12.90          |
|           | 2 3/8          | TH3Y238N* <span style="background-color: black; color: white;">Δ</span>  |                             |                |              |         |       |         |         |         |         |         |       |       |         |         |         |                |
|           | 2 7/16         | TH3Y239N* <span style="background-color: black; color: white;">Δ</span>  |                             |                |              |         |       |         |         |         |         |         |       |       |         |         |         |                |

## Additional Notes

- Please call 1-866-REXNORD for availability
- Lubrication fitting tap size, 1/8 in PT
- \* N lip seals standard
- Available with H labyrinth seals
- Δ Available with E3 triple lip seals
- For the Selection Guide, Load Ratings and Speed Limits, see the Link-Belt 200 Series Ball Bearing Engineering section
- Note: Dimensions subject to change. Certified dimensions of ordered material furnished on request.

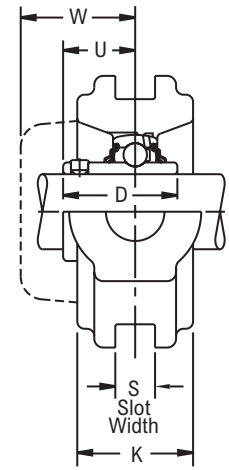
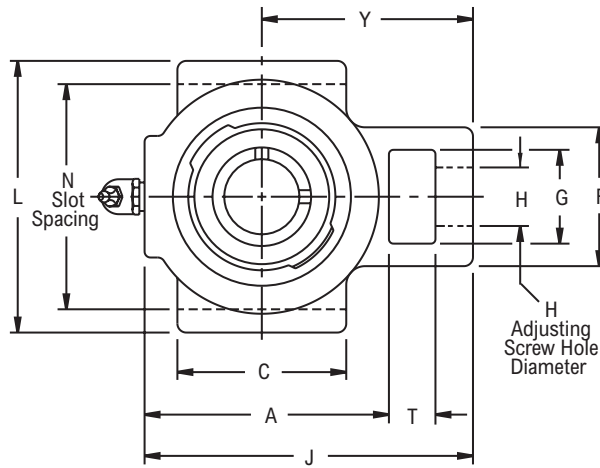
## TH3U200



Photo Shows a Ball Bearing Take-up Unit

### Product Features

- Corrosion-resistant powder coating
- Cast iron housing
- Wide slot design
- Broad range of sealing options
- Wide inner ring for increased shaft stability
- Spring locking setscrew mount
- Alignable & relubricatable
- See Features & Benefits for additional info.



### Bearing Dimensions

| Size Code | Shaft Diameter | Part Number | H Adjusting Screw Clearance | N Slot Spacing | S Slot Width | A                               | C     | D       | F       | G       | J                               | K       | L     | T     | U       | W       | Y       | Approx. Weight |
|-----------|----------------|-------------|-----------------------------|----------------|--------------|---------------------------------|-------|---------|---------|---------|---------------------------------|---------|-------|-------|---------|---------|---------|----------------|
| 204       | 3/4            | TH3U212N*■  | 3/4                         | 3              | 0.531        | 2 <sup>27</sup> / <sub>32</sub> | 2 1/4 | 1 9/32  | 1 7/8   | 1 1/4   | 3 <sup>31</sup> / <sub>32</sub> | 1 1/16  | 3 5/8 | 5/8   | 3/4     | 1 5/16  | 2 21/32 | 2.40           |
|           | 7/8            | TH3U214N*Δ  |                             |                |              |                                 |       |         |         |         |                                 |         |       |       |         |         |         |                |
| 205       | 15/16          | TH3U215N*Δ  | 3/4                         | 3              | 0.531        | 2 <sup>29</sup> / <sub>32</sub> | 2 1/4 | 1 23/64 | 1 27/32 | 1 1/4   | 4 1/32                          | 1 3/32  | 3 5/8 | 5/8   | 51/64   | 1 5/16  | 2 21/32 | 2.70           |
|           | 1              | TH3U216N*Δ  |                             |                |              |                                 |       |         |         |         |                                 |         |       |       |         |         |         |                |
| 206       | 1 1/8          | TH3U218N*■  | 7/8                         | 3 1/2          | 0.531        | 3 11/32                         | 2 1/2 | 1 9/16  | 2 3/16  | 1 7/16  | 4 15/32                         | 1 3/32  | 4 1/8 | 5/8   | 61/64   | 1 29/64 | 2 27/32 | 3.20           |
|           | 1 3/16         | TH3U219N*■  |                             |                |              |                                 |       |         |         |         |                                 |         |       |       |         |         |         |                |
|           | 1 1/4          | TH3U220N*■  |                             |                |              |                                 |       |         |         |         |                                 |         |       |       |         |         |         |                |
| 207       | 1 1/4          | TH3U220N*Δ  | 7/8                         | 3 1/2          | 0.531        | 3 11/16                         | 2 3/4 | 1 49/64 | 2 5/16  | 1 7/16  | 4 13/16                         | 1 3/16  | 4 1/8 | 5/8   | 1 7/64  | 1 35/64 | 2 31/32 | 4.00           |
|           | 1 3/8          | TH3U222N*Δ  |                             |                |              |                                 |       |         |         |         |                                 |         |       |       |         | 1 5/8   |         |                |
|           | 1 7/16         | TH3U223N*Δ  |                             |                |              |                                 |       |         |         |         |                                 |         |       |       |         | 1 35/64 |         |                |
| 208       | 1 1/2          | TH3U224N*Δ  | 1 1/8                       | 3.969          | 0.688        | 4 3/16                          | 3 1/4 | 1 29/32 | 2 27/32 | 1 15/16 | 5 9/16                          | 1 5/16  | 4 3/4 | 3/4   | 1 11/64 | 1 41/64 | 3 15/32 | 5.30           |
|           | 1 5/8          | TH3U226N*Δ  |                             |                |              |                                 |       |         |         |         |                                 |         |       |       |         |         |         |                |
| 209       | 1 11/16        | TH3U227N*Δ  | 1 1/8                       | 3.969          | 0.688        | 4 3/16                          | 3 1/4 | 2 1/32  | 2 7/8   | 1 15/16 | 5 9/16                          | 1 3/8   | 4 3/4 | 3/4   | 1 15/64 | 1 21/32 | 3 15/32 | 5.30           |
|           | 1 3/4          | TH3U228N*Δ  |                             |                |              |                                 |       |         |         |         |                                 |         |       |       |         |         |         |                |
| 210       | 1 15/16        | TH3U231N*Δ  | 1 1/8                       | 3.969          | 0.688        | 4 9/16                          | 3 3/8 | 2 3/32  | 2 7/8   | 1 15/16 | 5 15/16                         | 1 43/64 | 4 3/4 | 3/4   | 1 17/64 | 1 25/32 | 3 19/32 | 6.60           |
|           | 2              | TH3U232N*Δ  |                             |                |              |                                 |       |         |         |         |                                 |         |       |       |         |         |         |                |
| 211       | 2              | TH3U232N*Δ  | 1 3/8                       | 5.094          | 1.062        | 5 7/16                          | 4     | 2 1/4   | 3 19/32 | 2 1/2   | 7 7/16                          | 1 3/4   | 5 7/8 | 1 1/4 | 1 13/32 | 2 1/64  | 4 23/32 | 13.50          |
|           | 2 3/16         | TH3U235N*Δ  |                             |                |              |                                 |       |         |         |         |                                 |         |       |       |         |         |         |                |
| 212       | 2 1/4          | TH3U236N*Δ  | 1 3/8                       | 5.094          | 1.062        | 5 7/16                          | 4     | 2 1/2   | 3 19/32 | 2 1/2   | 7 7/16                          | 2 1/16  | 5 7/8 | 1 1/4 | 1 9/16  | 2 7/64  | 4 23/32 | 12.90          |
|           | 2 3/8          | TH3U238N*Δ  |                             |                |              |                                 |       |         |         |         |                                 |         |       |       |         |         |         |                |
|           | 2 7/16         | TH3U239N*Δ  |                             |                |              |                                 |       |         |         |         |                                 |         |       |       |         |         |         |                |

### Additional Notes

- Please call 1-866-REXNORD for availability
- Lubrication fitting tap size, 1/8 in PT
- \* N lip seals standard
- Available with H labyrinth seals
- Δ Available with E3 triple lip seals
- For the Selection Guide, Load Ratings and Speed Limits, see the Link-Belt 200 Series Ball Bearing Engineering section
- Note: Dimensions subject to change. Certified dimensions of ordered material furnished on request.

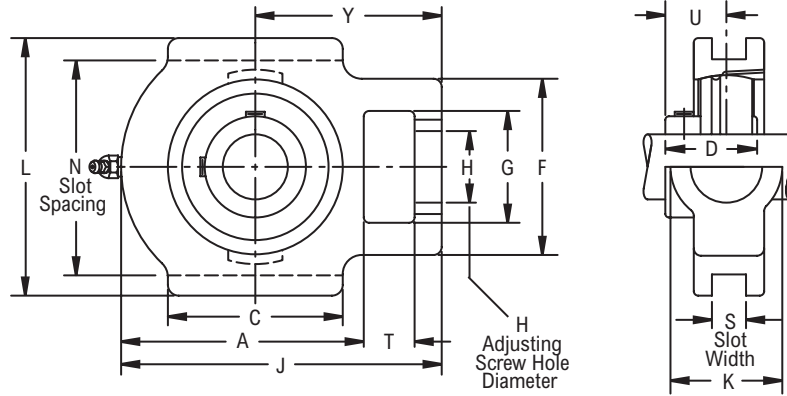
# TH3S200



Photo Shows a Ball Bearing Take-up Unit

## Product Features

- Corrosion-resistant powder coating
- Cast iron housing
- Wide slot design
- Broad range of sealing options
- Spring locking setscrew mount
- Alignable & relubricatable
- See Features & Benefits for additional info.



## Bearing Dimensions

| Size Code | Shaft Diameter | Part Number | H Adjusting Screw Hole Diameter | N Slot Spacing | S Slot Width | A       | C     | D       | F      | G       | J       | K      | L       | T      | U       | Y      | Approx. Weight |
|-----------|----------------|-------------|---------------------------------|----------------|--------------|---------|-------|---------|--------|---------|---------|--------|---------|--------|---------|--------|----------------|
| 204       | 3/4            | TH3S212E    | 3/4                             | 3.000          | 0.531        | 2 7/8   | 2     | 1 1/8   | 2      | 1 1/4   | 3 7/8   | 1 3/8  | 3 1/2   | 5/8    | 3/4     | 2 7/16 | 1.86           |
|           | 20.00          | TH3S2M20E   | 19.00                           | 76.200         | 13.490       | 73.02   | 50.80 | 28.58   | 50.80  | 31.80   | 98.40   | 34.90  | 88.90   | 15.90  | 19.00   | 61.90  | 0.80           |
| 205       | 7/8            | TH3S214E    | 3/4                             | 3.000          | 0.531        | 2 7/8   | 2     | 1 11/64 | 2      | 1 1/4   | 3 7/8   | 1 3/8  | 3 1/2   | 5/8    | 51/64   | 2 7/16 | 1.85           |
|           | 15/16          | TH3S215E    |                                 |                |              |         |       |         |        |         |         |        |         |        |         |        | 1.82           |
|           | 1              | TH3S26E     |                                 |                |              |         |       |         |        |         |         |        |         |        |         |        | 1.79           |
|           | 25.00          | TH3S2M25E   |                                 |                |              |         |       |         |        |         |         |        |         |        |         |        | 19.00          |
| 206       | 1 1/8          | TH3S218E    | 7/8                             | 3.500          | 0.531        | 3 3/8   | 2 1/4 | 1 11/32 | 2 3/16 | 1 7/16  | 4 1/2   | 1 9/16 | 4 1/8   | 11/16  | 61/64   | 2 3/4  | 2.75           |
|           | 1 3/16         | TH3S219E    |                                 |                |              |         |       |         |        |         |         |        |         |        |         |        | 2.72           |
|           | 1 1/4          | TH3S2E20E   |                                 |                |              |         |       |         |        |         |         |        |         |        |         |        | 2.69           |
|           | 30.00          | TH3S2M30E   |                                 |                |              |         |       |         |        |         |         |        |         |        |         |        | 22.20          |
| 207       | 1 1/4          | TH3S220E    | 7/8                             | 3.500          | 0.531        | 4       | 2 1/2 | 1 9/16  | 2 3/8  | 1 7/16  | 5       | 1 9/16 | 4 1/8   | 11/16  | 1 7/64  | 3 1/16 | 3.19           |
|           | 1 3/8          | TH3S222E    |                                 |                |              |         |       |         |        |         |         |        |         |        |         |        | 3.09           |
|           | 1 7/16         | TH3S223E    |                                 |                |              |         |       |         |        |         |         |        |         |        |         |        | 3.03           |
|           | 35.00          | TH3S2M35E   |                                 |                |              |         |       |         |        |         |         |        |         |        |         |        | 22.20          |
| 208       | 1 1/2          | TH3S224E    | 1 1/8                           | 3.969          | 0.688        | 4 3/16  | 3 1/4 | 1 21/32 | 3 1/4  | 1 15/16 | 5 5/8   | 2 1/16 | 4 3/4   | 7/8    | 1 11/64 | 3 1/2  | 5.24           |
|           | 1 5/8          | TH3S2E26E   |                                 |                |              |         |       |         |        |         |         |        |         |        |         |        | 5.10           |
|           | 40.00          | TH3S2M40E   |                                 |                |              |         |       |         |        |         |         |        |         |        |         |        | 28.60          |
| 209       | 1 5/8          | TH3S226E    | 1 1/8                           | 3.969          | 0.688        | 4 3/16  | 3 1/4 | 1 49/64 | 3 1/4  | 1 15/16 | 5 5/8   | 2 1/16 | 4 3/4   | 7/8    | 1 15/64 | 3 7/16 | 4.84           |
|           | 1 11/16        | TH3S227E    |                                 |                |              |         |       |         |        |         |         |        |         |        |         |        | 4.77           |
|           | 1 3/4          | TH3S228E    |                                 |                |              |         |       |         |        |         |         |        |         |        |         |        | 4.70           |
|           | 1 7/8          | TH3S230E    |                                 |                |              |         |       |         |        |         |         |        |         |        |         |        | 4.96           |
| 210       | 1 15/16        | TH3S231E    | 1 1/8                           | 3.969          | 0.688        | 4 7/16  | 3 1/4 | 1 13/16 | 3 1/4  | 1 15/16 | 5 7/8   | 2 1/16 | 4 3/4   | 7/8    | 1 17/64 | 3 9/16 | 4.87           |
|           | 2              | TH3S2E32E   |                                 |                |              |         |       |         |        |         |         |        |         |        |         |        | 4.78           |
|           | 2              | TH3S232E    |                                 |                |              |         |       |         |        |         |         |        |         |        |         |        | 8.78           |
|           | 2 3/16         | TH3S235E    |                                 |                |              |         |       |         |        |         |         |        |         |        |         |        | 8.58           |
| 211       | 2 1/4          | TH3S236E    | 1 3/8                           | 5.094          | 1.062        | 4 7/8   | 3 3/4 | 1 13/16 | 4      | 2 1/2   | 6 13/16 | 2 1/2  | 5 7/8   | 1 3/16 | 1 9/32  | 4 3/16 | 8.38           |
|           | 2 1/4          | TH3S236E    |                                 |                |              |         |       |         |        |         |         |        |         |        |         |        | 9.67           |
|           | 2 3/8          | TH3S238E    |                                 |                |              |         |       |         |        |         |         |        |         |        |         |        | 9.43           |
|           | 2 7/16         | TH3S239E    |                                 |                |              |         |       |         |        |         |         |        |         |        |         |        | 9.31           |
| 215       | 2 15/16        | TH3S247E    | 1 5/8                           | 5.906          | 1.062        | 6 27/32 | 4 3/4 | 2 17/64 | 4 3/16 | 2 3/4   | 8 15/16 | 2 3/4  | 6 11/16 | 1 5/16 | 1 15/32 | 5 1/2  | 14.24          |

## Additional Notes

- Please call 1-866-REXNORD for availability
- Lubrication fitting tap size, 1/8 in PT
- Lip seals standard
- ◆ Available with E1 viton seals for all size codes
- Available with free running style seals, add suffix ● FF, □ HFF or Δ MHFF for all size codes
- For the Selection Guide, Load Ratings and Speed Limits, see the Link-Belt Ball Bearing Engineering section
- Note: Dimensions subject to change. Certified dimensions of ordered material furnished on request.





# TAS3U200

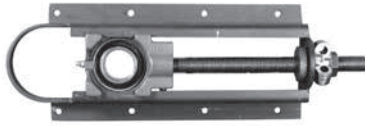
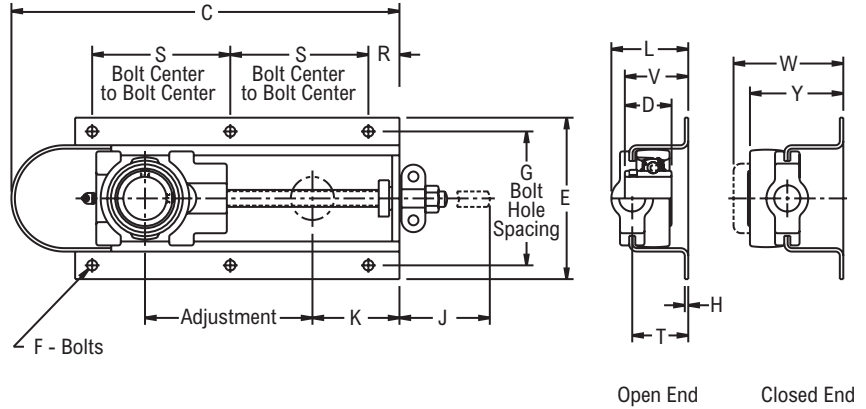


Photo Shows a Formed Steel Conveyor Take-up Frame with Ball Bearing Take-up Unit

## Product Features

- Center pull side mounted steel frame
- Corrosion-resistant powder coating
- Cast iron housing
- Broad range of sealing options
- Wide inner ring for increased shaft stability
- Spring locking setscrew mount
- Alignable & relubricatable
- TAS3U200 take-up unit
- See Features & Benefits for additional info.



## Bearing Dimensions

| Size Code | Shaft Diameter                  | Adjust. Length | Part Number           | G Bolt Hole Spacing           | S Bolt Center to Bolt Center   | C                               | D                               | E                               | F                             | H                             | J                               | K                               | L                              | R                              | T                             | V                               | W                               | Y                               | Approx. Weight |       |
|-----------|---------------------------------|----------------|-----------------------|-------------------------------|--------------------------------|---------------------------------|---------------------------------|---------------------------------|-------------------------------|-------------------------------|---------------------------------|---------------------------------|--------------------------------|--------------------------------|-------------------------------|---------------------------------|---------------------------------|---------------------------------|----------------|-------|
| 205       | <sup>15</sup> / <sub>16</sub>   | 6              | TAS3U215N6* $\Delta$  | 4 <sup>1</sup> / <sub>8</sub> | 4 <sup>1</sup> / <sub>2</sub>  | 13 <sup>1</sup> / <sub>4</sub>  | 1 <sup>23</sup> / <sub>64</sub> | 4 <sup>7</sup> / <sub>8</sub>   | <sup>5</sup> / <sub>16</sub>  | <sup>1</sup> / <sub>8</sub>   | 7 <sup>3</sup> / <sub>16</sub>  | 3 <sup>3</sup> / <sub>8</sub>   | 2 <sup>5</sup> / <sub>16</sub> | 1 <sup>1</sup> / <sub>2</sub>  | 1 <sup>5</sup> / <sub>8</sub> | 1 <sup>51</sup> / <sub>64</sub> | 3 <sup>37</sup> / <sub>64</sub> | 2 <sup>27</sup> / <sub>32</sub> | 7.50           |       |
|           | 1                               |                | TAS3U216N6* $\Delta$  |                               |                                |                                 |                                 |                                 |                               |                               |                                 |                                 |                                |                                |                               |                                 |                                 |                                 |                | 25.00 |
| 206       | 1 <sup>1</sup> / <sub>8</sub>   | 6              | TAS3U218N6* $\Delta$  | 5 <sup>1</sup> / <sub>4</sub> | 4 <sup>7</sup> / <sub>8</sub>  | 15                              | 1 <sup>9</sup> / <sub>16</sub>  | 6 <sup>1</sup> / <sub>4</sub>   | <sup>3</sup> / <sub>8</sub>   | <sup>3</sup> / <sub>16</sub>  | 8 <sup>3</sup> / <sub>16</sub>  | 3 <sup>11</sup> / <sub>16</sub> | 2 <sup>7</sup> / <sub>8</sub>  | 1 <sup>5</sup> / <sub>8</sub>  | 2 <sup>1</sup> / <sub>8</sub> | 2 <sup>11</sup> / <sub>32</sub> | 4 <sup>19</sup> / <sub>64</sub> | 3 <sup>1</sup> / <sub>2</sub>   | 11.00          |       |
|           |                                 | 12             | TAS3U218N12* $\Delta$ |                               |                                |                                 |                                 |                                 |                               |                               |                                 |                                 |                                |                                |                               |                                 |                                 |                                 |                | 15.00 |
|           | 1 <sup>3</sup> / <sub>16</sub>  | 6              | TAS3U219N6* $\Delta$  | 5 <sup>3</sup> / <sub>8</sub> | 21                             | 14 <sup>3</sup> / <sub>16</sub> | 8 <sup>3</sup> / <sub>16</sub>  | 14 <sup>3</sup> / <sub>16</sub> | 15.00                         |                               |                                 |                                 |                                |                                |                               |                                 |                                 |                                 |                |       |
|           |                                 | 12             | TAS3U219N12* $\Delta$ |                               |                                |                                 |                                 |                                 |                               | 15.00                         |                                 |                                 |                                |                                |                               |                                 |                                 |                                 |                |       |
|           | 30.00                           | 152            | 152                   | TAS3U2M30N6* $\Delta$         | 133.40                         | 123.80                          | 381.00                          | 39.69                           | 158.80                        | 10.00                         | 4.80                            | 208.00                          | 93.70                          | 73.00                          | 41.30                         | 54.00                           | 59.50                           | 109.10                          | 88.90          | 4.95  |
|           |                                 |                | 305                   | TAS3U2M30N12* $\Delta$        |                                |                                 |                                 |                                 |                               |                               |                                 |                                 |                                |                                |                               |                                 |                                 |                                 |                |       |
| 207       | 1 <sup>1</sup> / <sub>4</sub>   | 6              | TAS3U220N6* $\Delta$  | 5 <sup>1</sup> / <sub>4</sub> | 4 <sup>7</sup> / <sub>8</sub>  | 15                              | 1 <sup>49</sup> / <sub>64</sub> | 6 <sup>1</sup> / <sub>4</sub>   | <sup>3</sup> / <sub>8</sub>   | <sup>3</sup> / <sub>16</sub>  | 8 <sup>5</sup> / <sub>16</sub>  | 3 <sup>3</sup> / <sub>4</sub>   | 2 <sup>7</sup> / <sub>8</sub>  | 1 <sup>5</sup> / <sub>8</sub>  | 2 <sup>1</sup> / <sub>8</sub> | 2 <sup>31</sup> / <sub>64</sub> | 4 <sup>7</sup> / <sub>16</sub>  | 3 <sup>35</sup> / <sub>64</sub> | 13.50          |       |
|           |                                 | 12             | TAS3U220N12* $\Delta$ |                               |                                |                                 |                                 |                                 |                               |                               |                                 |                                 |                                |                                |                               |                                 |                                 |                                 |                | 15.20 |
|           | 1 <sup>7</sup> / <sub>16</sub>  | 6              | TAS3U223N6* $\Delta$  | 5 <sup>3</sup> / <sub>8</sub> | 21                             | 14 <sup>5</sup> / <sub>16</sub> | 8 <sup>5</sup> / <sub>16</sub>  | 14 <sup>5</sup> / <sub>16</sub> | 13.00                         |                               |                                 |                                 |                                |                                |                               |                                 |                                 |                                 |                |       |
|           |                                 | 12             | TAS3U223N12* $\Delta$ |                               |                                |                                 |                                 |                                 |                               | 16.00                         |                                 |                                 |                                |                                |                               |                                 |                                 |                                 |                |       |
|           | 35.00                           | 152            | 152                   | TAS3U2M35N6* $\Delta$         | 133.40                         | 123.80                          | 381.00                          | 44.85                           | 158.80                        | 10.00                         | 4.80                            | 211.10                          | 95.20                          | 73.00                          | 41.30                         | 54.00                           | 63.10                           | 112.70                          | 90.10          | 6.10  |
|           |                                 |                | 305                   | TAS3U2M35N12* $\Delta$        |                                |                                 |                                 |                                 |                               |                               |                                 |                                 |                                |                                |                               |                                 |                                 |                                 |                |       |
| 208       | 1 <sup>1</sup> / <sub>2</sub>   | 9              | TAS3U224N9* $\Delta$  | 6 <sup>5</sup> / <sub>8</sub> | 5                              | 19 <sup>3</sup> / <sub>4</sub>  | 1 <sup>29</sup> / <sub>32</sub> | 7 <sup>7</sup> / <sub>8</sub>   | <sup>3</sup> / <sub>8</sub>   | <sup>1</sup> / <sub>4</sub>   | 11 <sup>1</sup> / <sub>4</sub>  | 4 <sup>1</sup> / <sub>2</sub>   | 3 <sup>5</sup> / <sub>8</sub>  | 1 <sup>5</sup> / <sub>8</sub>  | 2 <sup>3</sup> / <sub>4</sub> | 3 <sup>1</sup> / <sub>16</sub>  | 5 <sup>9</sup> / <sub>32</sub>  | 4 <sup>3</sup> / <sub>8</sub>   | 24.00          |       |
|           |                                 | 18             | TAS3U224N18* $\Delta$ |                               |                                |                                 |                                 |                                 |                               |                               |                                 |                                 |                                |                                |                               |                                 |                                 |                                 |                | 31.00 |
|           | 40.00                           | 229            | 229                   | TAS3U2M40N9* $\Delta$         | 168.30                         | 127.00                          | 501.60                          | 48.42                           | 200.00                        | 10.00                         | 6.40                            | 285.80                          | 114.30                         | 92.10                          | 41.30                         | 69.80                           | 77.80                           | 134.10                          | 111.10         | 10.80 |
|           |                                 |                | 457                   | TAS3U2M40N18* $\Delta$        |                                |                                 |                                 |                                 |                               |                               |                                 |                                 |                                |                                |                               |                                 |                                 |                                 |                |       |
| 209       | 1 <sup>11</sup> / <sub>16</sub> | 9              | TAS3U227N9* $\Delta$  | 6 <sup>5</sup> / <sub>8</sub> | 5                              | 19 <sup>3</sup> / <sub>4</sub>  | 2 <sup>1</sup> / <sub>32</sub>  | 7 <sup>7</sup> / <sub>8</sub>   | <sup>3</sup> / <sub>8</sub>   | <sup>1</sup> / <sub>4</sub>   | 11 <sup>3</sup> / <sub>16</sub> | 4 <sup>5</sup> / <sub>8</sub>   | 3 <sup>5</sup> / <sub>8</sub>  | 1 <sup>5</sup> / <sub>8</sub>  | 2 <sup>3</sup> / <sub>4</sub> | 3 <sup>1</sup> / <sub>16</sub>  | 5 <sup>7</sup> / <sub>16</sub>  | 4 <sup>1</sup> / <sub>2</sub>   | 25.50          |       |
|           |                                 | 18             | TAS3U227N18* $\Delta$ |                               |                                |                                 |                                 |                                 |                               |                               |                                 |                                 |                                |                                |                               |                                 |                                 |                                 |                | 32.00 |
|           | 1 <sup>3</sup> / <sub>4</sub>   | 9              | TAS3U228N9* $\Delta$  | 6                             | 28 <sup>3</sup> / <sub>4</sub> | 20 <sup>1</sup> / <sub>4</sub>  | 20 <sup>3</sup> / <sub>16</sub> | 4 <sup>5</sup> / <sub>8</sub>   | 3 <sup>5</sup> / <sub>8</sub> | 1 <sup>5</sup> / <sub>8</sub> | 2 <sup>3</sup> / <sub>4</sub>   | 3 <sup>1</sup> / <sub>16</sub>  | 5 <sup>7</sup> / <sub>16</sub> | 4 <sup>1</sup> / <sub>2</sub>  | 25.00                         |                                 |                                 |                                 |                |       |
|           |                                 | 18             | TAS3U228N18* $\Delta$ |                               |                                |                                 |                                 |                                 |                               |                               |                                 |                                 |                                |                                |                               | 31.50                           |                                 |                                 |                |       |
|           | 45.00                           | 229            | 229                   | TAS3U2M45N9* $\Delta$         | 168.30                         | 127.00                          | 501.60                          | 41.59                           | 200.00                        | 10.00                         | 6.40                            | 284.20                          | 117.50                         | 92.10                          | 41.30                         | 69.80                           | 77.80                           | 138.10                          | 114.30         | 11.25 |
|           |                                 |                | 457                   | TAS3U2M45N18* $\Delta$        |                                |                                 |                                 |                                 |                               |                               |                                 |                                 |                                |                                |                               |                                 |                                 |                                 |                |       |
| 210       | 1 <sup>15</sup> / <sub>16</sub> | 9              | TAS3U231N9* $\Delta$  | 6 <sup>5</sup> / <sub>8</sub> | 5                              | 19 <sup>3</sup> / <sub>4</sub>  | 2 <sup>3</sup> / <sub>32</sub>  | 7 <sup>7</sup> / <sub>8</sub>   | <sup>3</sup> / <sub>8</sub>   | <sup>1</sup> / <sub>4</sub>   | 11 <sup>1</sup> / <sub>4</sub>  | 4 <sup>5</sup> / <sub>8</sub>   | 3 <sup>5</sup> / <sub>8</sub>  | 1 <sup>5</sup> / <sub>8</sub>  | 2 <sup>3</sup> / <sub>4</sub> | 3 <sup>1</sup> / <sub>16</sub>  | 5 <sup>19</sup> / <sub>32</sub> | 4 <sup>17</sup> / <sub>32</sub> | 23.00          |       |
|           |                                 | 18             | TAS3U231N18* $\Delta$ |                               |                                |                                 |                                 |                                 |                               |                               |                                 |                                 |                                |                                |                               |                                 |                                 |                                 |                | 29.80 |
|           | 50.00                           | 229            | 229                   | TAS3U2M50N9* $\Delta$         | 168.30                         | 127.00                          | 501.60                          | 53.18                           | 200.00                        | 10.00                         | 6.40                            | 285.80                          | 117.50                         | 92.10                          | 41.30                         | 69.80                           | 77.80                           | 142.10                          | 115.10         | 10.35 |
|           |                                 |                | 457                   | TAS3U2M50N18* $\Delta$        |                                |                                 |                                 |                                 |                               |                               |                                 |                                 |                                |                                |                               |                                 |                                 |                                 |                |       |
| 211       | 2                               | 9              | TAS3U232N9* $\Delta$  | 7 <sup>1</sup> / <sub>8</sub> | 5                              | 21 <sup>5</sup> / <sub>8</sub>  | 2 <sup>1</sup> / <sub>4</sub>   | 8 <sup>1</sup> / <sub>4</sub>   | <sup>1</sup> / <sub>2</sub>   | <sup>1</sup> / <sub>4</sub>   | 11 <sup>3</sup> / <sub>16</sub> | 5 <sup>1</sup> / <sub>2</sub>   | 4 <sup>1</sup> / <sub>4</sub>  | 2 <sup>1</sup> / <sub>2</sub>  | 3 <sup>1</sup> / <sub>4</sub> | 3 <sup>11</sup> / <sub>16</sub> | 6 <sup>5</sup> / <sub>16</sub>  | 5 <sup>1</sup> / <sub>16</sub>  | 32.30          |       |
|           |                                 | 18             | TAS3U232N18* $\Delta$ |                               |                                |                                 |                                 |                                 |                               |                               |                                 |                                 |                                |                                |                               |                                 |                                 |                                 |                | 41.20 |
|           | 2 <sup>3</sup> / <sub>16</sub>  | 9              | TAS3U235N9* $\Delta$  | 5                             | 21 <sup>5</sup> / <sub>8</sub> | 20 <sup>3</sup> / <sub>16</sub> | 11 <sup>3</sup> / <sub>16</sub> | 5 <sup>1</sup> / <sub>2</sub>   | 4 <sup>1</sup> / <sub>4</sub> | 2 <sup>1</sup> / <sub>2</sub> | 3 <sup>1</sup> / <sub>4</sub>   | 3 <sup>11</sup> / <sub>16</sub> | 6 <sup>5</sup> / <sub>16</sub> | 5 <sup>1</sup> / <sub>16</sub> | 29.90                         |                                 |                                 |                                 |                |       |
|           |                                 | 18             | TAS3U235N18* $\Delta$ |                               |                                |                                 |                                 |                                 |                               |                               |                                 |                                 |                                |                                |                               | 39.00                           |                                 |                                 |                |       |
|           | 55.00                           | 229            | 229                   | TAS3U2M55N9* $\Delta$         | 181.00                         | 127.00                          | 549.30                          | 57.15                           | 209.60                        | 12.00                         | 6.40                            | 284.20                          | 139.70                         | 108.00                         | 63.50                         | 82.60                           | 93.70                           | 160.30                          | 128.60         | 13.45 |
|           |                                 |                | 457                   | TAS3U2M55N18* $\Delta$        |                                |                                 |                                 |                                 |                               |                               |                                 |                                 |                                |                                |                               |                                 |                                 |                                 |                |       |

## Additional Notes

- Please call 1-866-REXNORD for availability
- Lubrication fitting tap size, 1/8 in PT
- Closed end take-ups available, add suffix C
- On closed end take-up, bearing assembly is reversed
- Frames with 6 in (152.40 mm) adjustment have six holes
- Frames with 9 in (228.60 mm) or 12 in (304.80 mm) adjustment have eight holes
- Frames with 18 in (457.20 mm) adjustment have ten holes
- \* N lip seals standard

- Available with H labyrinth seals
- $\Delta$  Available with E3 triple lip seals
- For the Selection Guide, Load Ratings and Speed Limits, see the Link-Belt 200 Series Ball Bearing Engineering section
- Note: Dimensions subject to change. Certified dimensions of ordered material furnished on request.

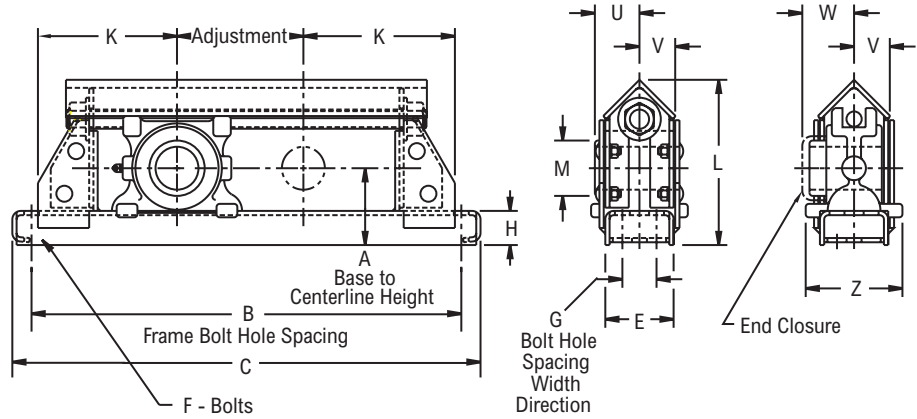
# TDS3U200



Photo Shows a Hinged Top, Welded Steel Conveyor Take-up Frame with Ball Bearing Take-up Unit

### Product Features

- Protected screw type steel frame
- Corrosion-resistant powder coating
- Cast iron housing
- Broad range of sealing options
- Wide inner ring for increased shaft stability
- Spring locking setscrew mount
- Alignable & relubricatable
- TDS3U200 take-up unit
- See Features & Benefits for additional info.



### Bearing Dimensions

| Size Code | Shaft Diameter | Adjust. Length | Part Number    | A Base to Centerline Height | B Frame Bolt Hole Spacing | G Bolt Hole Spacing Width Direction | C      | E     | F     | H      | K      | L        | M      | U       | V      | W       | Z      | Approx. Weight |
|-----------|----------------|----------------|----------------|-----------------------------|---------------------------|-------------------------------------|--------|-------|-------|--------|--------|----------|--------|---------|--------|---------|--------|----------------|
| 210       | 1 15/16        | 12             | TDS3U231N12*Δ  | 3 15/16                     | 26 1/2                    | -                                   | 28 1/2 | 3     | 5/8   | 1 3/4  | 7 1/4  | 8 1/4    | -      | 1 17/64 | 55/64  | 1 15/16 | 4 1/8  | 41.00          |
|           |                | 18             | TDS3U231N18*Δ  |                             | 32 1/2                    | 34 1/2                              | 47.00  |       |       |        |        |          |        |         |        |         |        |                |
|           |                | 24             | TDS3U231N24*Δ  |                             | 38 1/2                    | 40 1/2                              | 52.00  |       |       |        |        |          |        |         |        |         |        |                |
|           | 50.00          | 305            | TDS3U2M50N12*Δ | 100.00                      | 673.10                    | -                                   | 723.90 | 76.20 | 16.00 | 44.40  | 184.20 | 209.60   | -      | 32.10   | 21.80  | 49.20   | 104.80 | 18.45          |
|           |                | 457            | TDS3U2M50N18*Δ | 825.50                      | 876.30                    | 21.15                               |        |       |       |        |        |          |        |         |        |         |        |                |
|           |                | 610            | TDS3U2M50N24*Δ | 977.90                      | 1,028.70                  | 23.40                               |        |       |       |        |        |          |        |         |        |         |        |                |
| 211       | 2 3/16         | 12             | TDS3U235N12*Δ  | 4 3/16                      | 27 1/2                    | -                                   | 29 1/2 | 3     | 5/8   | 1 3/4  | 7 3/4  | 8 11/16  | -      | 1 13/32 | 55/64  | 2 3/32  | 4 1/8  | 45.00          |
|           |                | 18             | TDS3U235N18*Δ  |                             | 33 1/2                    | 35 1/2                              | 51.00  |       |       |        |        |          |        |         |        |         |        |                |
|           |                | 24             | TDS3U235N24*Δ  |                             | 39 1/2                    | 41 1/2                              | 56.00  |       |       |        |        |          |        |         |        |         |        |                |
|           | 55.00          | 305            | TDS3U2M55N12*Δ | 106.40                      | 698.50                    | -                                   | 749.30 | 76.20 | 16.00 | 44.40  | 196.80 | 220.70   | -      | 35.70   | 21.80  | 53.30   | 104.80 | 20.25          |
|           |                | 457            | TDS3U2M55N18*Δ | 850.90                      | 901.70                    | 22.95                               |        |       |       |        |        |          |        |         |        |         |        |                |
|           |                | 610            | TDS3U2M55N24*Δ | 1,003.30                    | 1,054.10                  | 25.20                               |        |       |       |        |        |          |        |         |        |         |        |                |
| 212       | 2 7/16         | 12             | TDS3U239N12*Δ  | 4 3/8                       | 28 1/2                    | -                                   | 30 1/2 | 3     | 3/4   | 1 3/4  | 8 1/4  | 9 1/8    | -      | 1 9/16  | 31/32  | 2 5/32  | 4 1/8  | 52.00          |
|           |                | 18             | TDS3U239N18*Δ  |                             | 34 1/2                    | 36 1/2                              | 58.00  |       |       |        |        |          |        |         |        |         |        |                |
|           |                | 24             | TDS3U239N24*Δ  |                             | 40 1/2                    | 42 1/2                              | 63.00  |       |       |        |        |          |        |         |        |         |        |                |
|           | 60.00          | 30             | TDS3U239N30*Δ  | 46 1/2                      | 48 1/2                    | 68.00                               | 76.20  | 20.00 | 44.40 | 209.60 | 231.80 | -        | 39.70  | 24.60   | 54.80  | 104.80  | 68.00  |                |
|           |                | 305            | TDS3U2M60N12*Δ | 725.90                      | 774.70                    | 23.40                               |        |       |       |        |        |          |        |         |        |         |        |                |
|           |                | 457            | TDS3U2M60N18*Δ | 876.30                      | 927.10                    | 26.10                               |        |       |       |        |        |          |        |         |        |         |        |                |
| 215       | 2 15/16        | 12             | TDSU247N12*Δ   | 5 1/8                       | 30 1/2                    | 2                                   | 32 1/2 | 4     | 5/8   | 2      | 9 1/4  | 10 5/8   | 4 5/8  | 1 13/16 | 1 5/32 | 2 13/64 | 5 1/8  | 76.00          |
|           |                | 18             | TDSU247N18*Δ   |                             | 36 1/2                    | 38 1/2                              | 85.00  |       |       |        |        |          |        |         |        |         |        |                |
|           |                | 24             | TDSU247N24*Δ   |                             | 42 1/2                    | 44 1/2                              | 93.00  |       |       |        |        |          |        |         |        |         |        |                |
|           | 75.00          | 30             | TDSU247N30*Δ   | 48 1/2                      | 50 1/2                    | 101.00                              | 101.60 | 16.00 | 50.80 | 235.00 | 269.90 | 117.50   | 46.00  | 29.40   | 56.00  | 130.20  | 101.00 |                |
|           |                | 305            | TDSU2M75N12 *Δ | 774.70                      | 825.50                    | 34.20                               |        |       |       |        |        |          |        |         |        |         |        |                |
|           |                | 457            | TDSU2M75N18 *Δ | 927.10                      | 977.90                    | 38.25                               |        |       |       |        |        |          |        |         |        |         |        |                |
| 217       | 3 7/16         | 12             | TDSU255N12*Δ   | 5 5/8                       | 32                        | 2                                   | 34 1/2 | 4     | 3/4   | 2      | 10     | 11 13/16 | 5 3/16 | 2 1/8   | 1 7/16 | 2 1/2   | 5 5/8  | 99.00          |
|           |                | 18             | TDSU255N18*Δ   |                             | 38                        | 40 1/4                              | 108.00 |       |       |        |        |          |        |         |        |         |        |                |
|           |                | 24             | TDSU255N24*Δ   |                             | 44                        | 46 1/4                              | 116.00 |       |       |        |        |          |        |         |        |         |        |                |
|           | 85.00          | 30             | TDSU255N30*Δ   | 50                          | 52 1/4                    | 124.00                              | 101.60 | 20.00 | 50.80 | 254.00 | 300.00 | 131.80   | 54.00  | 36.50   | 63.50  | 142.90  | 124.00 |                |
|           |                | 305            | TDSU2M85N12 *Δ | 812.80                      | 870.00                    | 44.55                               |        |       |       |        |        |          |        |         |        |         |        |                |
|           |                | 457            | TDSU2M85N18 *Δ | 965.20                      | 1,022.40                  | 48.60                               |        |       |       |        |        |          |        |         |        |         |        |                |

Continued...

Continued...

**Bearing Dimensions**

| Size Code | Shaft Diameter | Adjust. Length | Part Number    | A Base to Centerline Height | B Frame Bolt Hole Spacing | G Bolt Hole Spacing Width Direction | C        | E      | F     | H     | K      | L        | M       | U       | V       | W      | Z      | Approx. Weight |
|-----------|----------------|----------------|----------------|-----------------------------|---------------------------|-------------------------------------|----------|--------|-------|-------|--------|----------|---------|---------|---------|--------|--------|----------------|
| 217       | 85.00          | 610            | TDSU2M85N24 *Δ | 142.90                      | 1,117.60                  | 50.80                               | 1,174.80 | 101.60 | 20.00 | 50.80 | 254.00 | 300.00   | 131.80  | 54.00   | 36.50   | 63.50  | 142.90 | 52.20          |
|           |                | 762            | TDSU2M85N30 *Δ |                             | 1,270.00                  |                                     | 1,327.20 |        |       |       |        |          |         |         |         |        |        | 55.80          |
| 220       | 3 15/16        | 12             | TDSU263N12*    | 7                           | 36                        | 2 1/2                               | 38 1/2   | 5      | 3/4   | 2 1/4 | 12     | 14 11/16 | 5 15/16 | 2 37/64 | 1 45/64 | 3 1/64 | 6 7/8  | 173.00         |
|           |                | 18             | TDSU263N18*    |                             | 42                        |                                     | 44 1/2   |        |       |       |        |          |         |         |         |        |        | 185.00         |
|           |                | 24             | TDSU263N24*    |                             | 48                        |                                     | 50 1/2   |        |       |       |        |          |         |         |         |        |        | 195.00         |
|           |                | 30             | TDSU263N30*    |                             | 54                        |                                     | 56 1/2   |        |       |       |        |          |         |         |         |        |        | 205.00         |
|           |                | 305            | TDSU2M100N12*  |                             | 914.40                    |                                     | 977.90   |        |       |       |        |          |         |         |         |        |        | 77.85          |
|           | 100.00         | 457            | TDSU2M100N18*  | 1,066.80                    | 1,130.30                  | 83.25                               |          |        |       |       |        |          |         |         |         |        |        |                |
|           |                | 610            | TDSU2M100N24*  | 1,219.20                    | 1,282.70                  | 87.75                               |          |        |       |       |        |          |         |         |         |        |        |                |
|           |                | 762            | TDSU2M100N30*  | 1,371.60                    | 1,435.10                  | 92.25                               |          |        |       |       |        |          |         |         |         |        |        |                |
|           |                | 305            | TDSU2M100N12*  | 914.40                      | 977.90                    | 77.85                               |          |        |       |       |        |          |         |         |         |        |        |                |
|           |                | 457            | TDSU2M100N18*  | 1,066.80                    | 1,130.30                  | 83.25                               |          |        |       |       |        |          |         |         |         |        |        |                |

**Additional Notes**

Please call 1-866-REXNORD for availability  
 Lubrication fitting tap size, 1/8 in PT  
 Closed end take-ups available, add suffix C  
 Size code 220 has hinged top construction  
 Frames with 18 in (457.20 mm) adjustment or more have center supporting pad welded to bottom of frame  
 \* N lip seals standard

■ Available with H labyrinth seals  
 Δ Available with E3 triple lip seals  
 For the Selection Guide, Load Ratings and Speed Limits, see the Link-Belt 200 Series Ball Bearing Engineering section  
 Note: Dimensions subject to change. Certified dimensions of ordered material furnished on request.

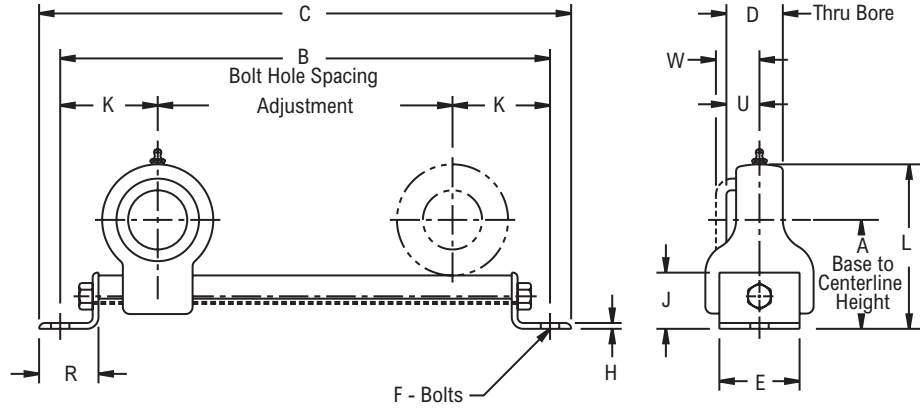
# NT3U200



Photo Shows a Welded Channel Conveyor Take-up Frame with Ball Bearing Take-up Unit

### Product Features

- Protected screw welded channel frame
- Corrosion-resistant powder coating
- Cast iron housing
- Broad range of sealing options
- Wide inner ring for increased shaft stability
- Spring locking setscrew mount
- Alignable & relubricatable
- See Features & Benefits for additional info.



### Bearing Dimensions

| Size Code | Shaft Diameter                | Adjust. Length | Part Number  | A Base to Centerline Height     | B Frame Bolt Hole Spacing      | C                              | D                               | E                             | F                           | H                            | J                             | K                              | L                               | R                             | U                               | W                               | Approx. Weight |
|-----------|-------------------------------|----------------|--------------|---------------------------------|--------------------------------|--------------------------------|---------------------------------|-------------------------------|-----------------------------|------------------------------|-------------------------------|--------------------------------|---------------------------------|-------------------------------|---------------------------------|---------------------------------|----------------|
| 205       | <sup>15</sup> / <sub>16</sub> | 6              | NT3U215N6*   | 2 <sup>3</sup> / <sub>4</sub>   | 10 <sup>7</sup> / <sub>8</sub> | 12 <sup>1</sup> / <sub>4</sub> | 1 <sup>23</sup> / <sub>64</sub> | 1 <sup>3</sup> / <sub>4</sub> | <sup>1</sup> / <sub>2</sub> | <sup>3</sup> / <sub>16</sub> | 1 <sup>1</sup> / <sub>2</sub> | 2 <sup>7</sup> / <sub>16</sub> | 4 <sup>3</sup> / <sub>16</sub>  | 2                             | <sup>5</sup> / <sub>64</sub>    | 1 <sup>9</sup> / <sub>32</sub>  | 4.50           |
|           | 1                             |                | NT3U216N6*   |                                 |                                |                                |                                 |                               |                             |                              |                               |                                |                                 |                               |                                 |                                 | 69.80          |
| 206       | <sup>1</sup> / <sub>16</sub>  | 6              | NT3U219N6*   | 3                               | 10 <sup>7</sup> / <sub>8</sub> | 12 <sup>1</sup> / <sub>4</sub> | 1 <sup>9</sup> / <sub>16</sub>  | 1 <sup>3</sup> / <sub>4</sub> | <sup>1</sup> / <sub>2</sub> | <sup>3</sup> / <sub>16</sub> | 1 <sup>1</sup> / <sub>2</sub> | 2 <sup>7</sup> / <sub>16</sub> | 4 <sup>11</sup> / <sub>16</sub> | 2                             | <sup>6</sup> / <sub>64</sub>    | 1 <sup>15</sup> / <sub>32</sub> | 5.00           |
|           | 30.00                         |                | NT3U2M30N6*  |                                 |                                |                                |                                 |                               |                             |                              |                               |                                |                                 |                               |                                 |                                 | 76.20          |
| 207       | <sup>1</sup> / <sub>16</sub>  | 9              | NT3U223N9*   | 3 <sup>11</sup> / <sub>16</sub> | 14 <sup>1</sup> / <sub>2</sub> | 16 <sup>1</sup> / <sub>2</sub> | 1 <sup>49</sup> / <sub>64</sub> | 2 <sup>1</sup> / <sub>4</sub> | <sup>1</sup> / <sub>2</sub> | <sup>1</sup> / <sub>4</sub>  | 2                             | 2 <sup>3</sup> / <sub>4</sub>  | 5 <sup>9</sup> / <sub>16</sub>  | 2 <sup>1</sup> / <sub>2</sub> | 1 <sup>7</sup> / <sub>64</sub>  | 1 <sup>9</sup> / <sub>16</sub>  | 9.50           |
|           |                               | 12             | NT3U223N12*  |                                 | 17 <sup>1</sup> / <sub>2</sub> | 19 <sup>1</sup> / <sub>2</sub> |                                 |                               |                             |                              |                               |                                |                                 |                               |                                 |                                 | 44.85          |
|           | 35.00                         | 229            | NT3U2M35N9*  | 93.70                           | 368.30                         | 419.10                         | 44.85                           | 57.20                         | 12.00                       | 6.40                         | 50.80                         | 69.80                          | 141.30                          | 63.50                         | 28.20                           | 39.70                           | 4.30           |
|           |                               | 305            | NT3U2M35N12* |                                 | 444.50                         | 495.30                         |                                 |                               |                             |                              |                               |                                |                                 |                               |                                 |                                 | 4.50           |
| 210       | <sup>1</sup> / <sub>16</sub>  | 9              | NT3U231N9*   | 4 <sup>21</sup> / <sub>32</sub> | 16                             | 18 <sup>1</sup> / <sub>2</sub> | 2 <sup>3</sup> / <sub>32</sub>  | 3 <sup>1</sup> / <sub>4</sub> | <sup>5</sup> / <sub>8</sub> | <sup>5</sup> / <sub>16</sub> | 2 <sup>1</sup> / <sub>2</sub> | 3 <sup>1</sup> / <sub>2</sub>  | 6 <sup>29</sup> / <sub>32</sub> | 3                             | 1 <sup>17</sup> / <sub>64</sub> | 1 <sup>25</sup> / <sub>32</sub> | 18.00          |
|           |                               | 12             | NT3U231N12*  |                                 | 19                             | 21 <sup>1</sup> / <sub>2</sub> |                                 |                               |                             |                              |                               |                                |                                 |                               |                                 |                                 | 8.10           |
|           |                               | 18             | NT3U231N18*  |                                 | 25                             | 27 <sup>1</sup> / <sub>2</sub> |                                 |                               |                             |                              |                               |                                |                                 |                               |                                 |                                 | 21.00          |
|           | 50.00                         | 229            | NT3U2M50N9*  | 118.30                          | 406.40                         | 469.90                         | 53.18                           | 82.60                         | 16.00                       | 7.90                         | 63.50                         | 88.90                          | 175.40                          | 76.20                         | 32.10                           | 45.20                           | 8.10           |
|           |                               | 305            | NT3U2M50N12* |                                 | 482.60                         | 546.10                         |                                 |                               |                             |                              |                               |                                |                                 |                               |                                 |                                 | 8.55           |
|           |                               | 457            | NT3U2M50N18* |                                 | 635.00                         | 698.50                         |                                 |                               |                             |                              |                               |                                |                                 |                               |                                 |                                 | 9.50           |

### Additional Notes

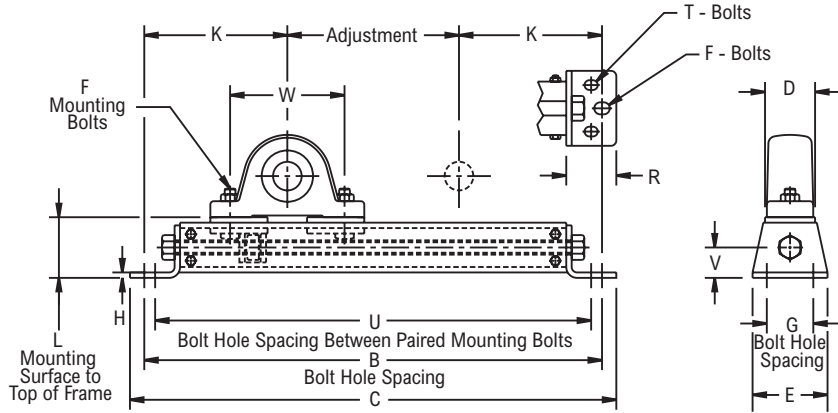
- Please call 1-866-REXNORD for availability
- Lubrication fitting tap size, 1/8 in PT
- \* N lip seals standard
- For the Selection Guide, Load Ratings and Speed Limits, see the Link-Belt 200 Series Ball Bearing Engineering section
- Note: Dimensions subject to change. Certified dimensions of ordered material furnished on request.



Photo Shows a Light Duty Conveyor Take-up Frame

**Product Features**

- Bolted steel frames
- 2 or 4-bolt frame mounting
- Bolt hole centers adjustable
- Pillow blocks not included
- See Features & Benefits for additional info.



**Bearing Dimensions**

| Size Code | Adjust. Length | Part Number | Bolt Hole Spacing |                   |                 | L<br>Mounting Surface to Top of Frame | C       | D     | E     | F   | H    | K      | R      | T    | V       | W min | W max   | Approx. Weight |
|-----------|----------------|-------------|-------------------|-------------------|-----------------|---------------------------------------|---------|-------|-------|-----|------|--------|--------|------|---------|-------|---------|----------------|
|           |                |             | B Frame           | G Width Direction | U Between Pairs |                                       |         |       |       |     |      |        |        |      |         |       |         |                |
| 205       | 6              | LC16        | 16                | 1 5/8             | 15 1/4          | 2 1/8                                 | 17      | 1 3/4 | 2 5/8 | 3/8 | 3/16 | 5      | 1 3/4  | 5/16 | 1 1/16  | 3     | 5 15/16 | 5.25           |
|           | 9              | LC19        | 19                |                   | 18 1/4          |                                       | 20      |       |       |     |      |        |        |      |         |       |         | 6.30           |
|           | 12             | LC112       | 22                |                   | 21 1/4          |                                       | 23      |       |       |     |      |        |        |      |         |       |         | 6.60           |
| 210       | 6              | LC26        | 19 1/8            | 2 1/8             | 18 1/8          | 2 11/16                               | 20 1/4  | 2 3/8 | 3 1/8 | 1/2 | 1/4  | 6 9/16 | 2 3/16 | 3/8  | 1 11/32 | 3 3/4 | 7 1/4   | 10.00          |
|           | 9              | LC29        | 22 1/8            |                   | 21 1/8          |                                       | 23 1/4  |       |       |     |      |        |        |      |         |       |         | 10.20          |
|           | 12             | LC212       | 25 1/8            |                   | 24 1/8          |                                       | 26 1/4  |       |       |     |      |        |        |      |         |       |         | 11.50          |
|           | 18             | LC218       | 31 1/8            |                   | 30 1/8          |                                       | 32 1/4  |       |       |     |      |        |        |      |         |       |         | 13.80          |
| 211/212   | 9              | LC39        | 25 5/16           | 2 3/4             | 24 1/16         | 3 5/16                                | 26 9/16 | 3     | 4     | 5/8 | 5/16 | 8 5/32 | 2 3/4  | 1/2  | 1 5/8   | 4 1/4 | 9       | 20.40          |
|           | 12             | LC312       | 28 5/16           |                   | 27 1/16         |                                       | 29 9/16 |       |       |     |      |        |        |      |         |       |         | 22.25          |
|           | 18             | LC318       | 34 5/16           |                   | 33 1/16         |                                       | 35 9/16 |       |       |     |      |        |        |      |         |       |         | 26.50          |
|           | 24             | LC324       | 40 5/16           |                   | 39 1/16         |                                       | 41 9/16 |       |       |     |      |        |        |      |         |       |         | 33.00          |

**Additional Notes**

Please call 1-866-REXNORD for availability  
 For pillow block dimensions, see Pillow Block Ball Bearing section  
 Note: Dimensions subject to change. Certified dimensions of ordered material furnished on request.



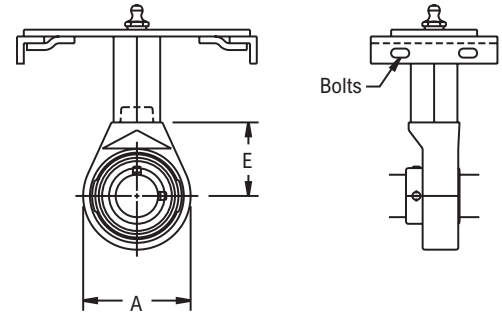
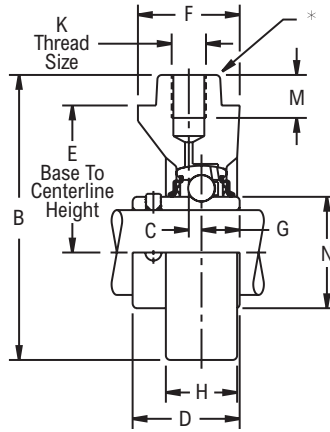
# HM3U200



Photo Shows a Screw Conveyor Hanger Ball Bearing Unit

## Product Features

- Corrosion-resistant powder coating
- High test iron housing
- Broad range of sealing options
- Wide inner ring for increased shaft stability
- Spring locking setscrew mount
- Alignable & relubricatable
- See Features & Benefits for additional info.



Typical Installation

## Bearing Dimensions

| Size Code | Shaft Diameter | Part Number | E Base to Centerline Height | K Thread Size | A     | B    | C     | D       | F      | G      | H    | M    | N     | Approx. Weight |
|-----------|----------------|-------------|-----------------------------|---------------|-------|------|-------|---------|--------|--------|------|------|-------|----------------|
| 208       | 1 1/2          | HM3U224N*Δ  | 2 1/2                       | 3/4-10 NC     | 3 7/8 | 5.19 | 0.218 | 1 29/32 | 1 3/4  | 0.7340 | 0.97 | 1.00 | 2.083 | 5.00           |
| 210       | 2              | HM3U2E32N*Δ | 2 1/2                       | 3/4-10 NC     | 4 3/8 | 5.44 | 0.170 | 2 3/32  | 1 3/4  | 0.8280 | 0.91 | 1.00 | 2.475 | 6.30           |
| 212       | 2 7/16         | HM3U239N*Δ  | 3 5/8                       | 7/8-9 NC      | 5 1/4 | 7.00 | 0.310 | 2 1/2   | 2 1/2  | 0.9380 | 1.75 | 1.06 | 3.012 | 11.30          |
| 215       | 3              | HM3U2E48N*Δ | 3 5/8                       | 7/8-9 NC      | 6 1/8 | 7.44 | 0.375 | 2 7/8   | 2 1/2  | 1.0620 | 2.00 | 1.06 | 3.624 | 12.90          |
| 217       | 3 7/16         | HM3U255N*Δ  | 4 1/2                       | 1 1/8-12 NF   | 7 1/2 | 9.25 | 0.344 | 3 9/16  | 3 9/16 | 1.4380 | 2.56 | 1.88 | 4.158 | 24.80          |

## Additional Notes

- Please call 1-866-REXNORD for availability
- Size codes 208 & 210 to fit 1 1/4 in square tubing
- Size codes 212 & 215 to fit 1 3/4 in square tubing
- Size code 217 to fit 2 1/2 in square tubing
- \* N lip seals standard
- Available with H labyrinth seals
- Δ Available with E3 triple lip seals

For the Selection Guide, Load Ratings and Speed Limits, see the Link-Belt 200 Series Ball Bearing Engineering section  
 Note: Dimensions subject to change. Certified dimensions of ordered material furnished on request.

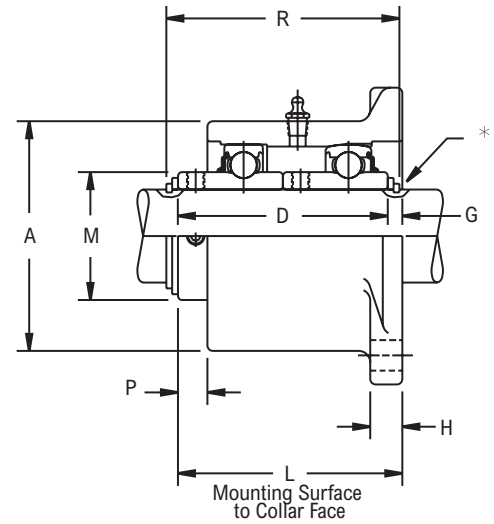
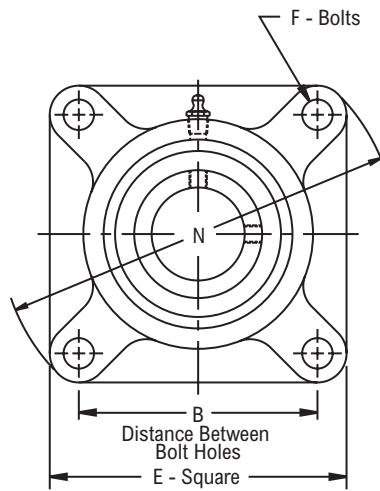
**FF200**



Photo Shows a 4-Bolt Ball Bearing Screw Conveyor Trough End Flanged Unit

**Product Features**

- Corrosion-resistant powder coating
- Cast iron housing
- 2 ball bearing inserts in housing
- Spring locking setscrew mount
- Relubricatable
- See Features & Benefits for additional info.



**Bearing Dimensions**

| Size Code | Shaft Diameter | Part Number | B Distance Between Bolt Holes | L Mounting Surface to Collar Face | A       | D       | E      | F   | G    | H     | M      | N       | P     | R       | Approx. Weight |          |
|-----------|----------------|-------------|-------------------------------|-----------------------------------|---------|---------|--------|-----|------|-------|--------|---------|-------|---------|----------------|----------|
| 208       | 1 1/2          | FF224N*     | 4                             | 4 1/16                            | 4       | 3 13/16 | 5 1/8  | 1/2 | 1/4  | 9/16  | -      | 6 25/32 | 1/2   | 4 7/32  | 10.00          |          |
| 211       | 2              | FF232N*     | 5 1/8                         | 4 13/16                           | 4 15/16 | 4 1/2   | 6 3/8  | 5/8 | 5/16 | 11/16 | -      | 8 1/2   | 5/8   | 5 1/32  | 17.40          |          |
|           |                | 2 3/16      |                               |                                   |         |         |        |     |      |       |        |         |       |         |                | FF235N*  |
| 212       | 2 7/16         | FF239N*     | 5 5/8                         | 5 5/16                            | 5 3/8   | 5       | 6 7/8  | 5/8 | 5/16 | 11/16 | -      | 9 7/32  | 19/32 | 5 17/32 | 20.80          |          |
| 215       | 2 3/4          | FF244N*     | 6                             | 6 1/16                            | 6 3/8   | 5 3/4   | 7 3/4  | 3/4 | 5/16 | 3/4   | 4 5/8  | 10 1/4  | 11/16 | 6 9/32  | 31.10          |          |
|           |                | 2 15/16     |                               |                                   |         |         |        |     |      |       |        |         |       |         |                | FF247N*  |
|           |                | 3           |                               |                                   |         |         |        |     |      |       |        |         |       |         |                | FF2E48N* |
| 217       | 3 7/16         | FF255N*     | 6 3/4                         | 7 5/8                             | 7       | 7 1/8   | 8 9/16 | 3/4 | 1/2  | 1     | 5 3/16 | 11 3/8  | 3/4   | 7 23/32 | 50.20          |          |

**Additional Notes**

- Please call 1-866-REXNORD for availability
- Lubrication fitting tap size: for size codes 212 and below, 1/4 in PT; for all other size codes, 3/8 in PT
- Support thrust load (preferably in shear) with heavy duty snap ring and square face washer
- Includes two bearings with seals and inner ring setscrews or collar with setscrews
- \* N lip seals standard

For the Selection Guide, Load Ratings and Speed Limits, see the Link-Belt 200 Series Ball Bearing Engineering section  
 Note: Dimensions subject to change. Certified dimensions of ordered material furnished on request.



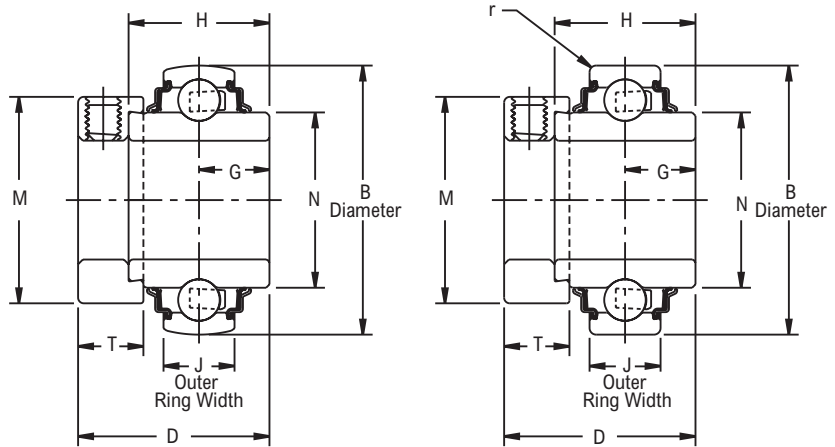
# Y200, YB200



Photo Shows an Unmounted Ball Bearing Unit

## Product Features

- Broad range of sealing options
- Wide inner ring for increased shaft stability
- Eccentric cam locking device
- Sealed & non-relubricatable
- Spherical or Cylindrical O.D.
- See Features & Benefits for additional info.



## Bearing Dimensions

| Size Code | Shaft Diameter | Cylindrical |                    | Spherical   |                    | B O.D. | D       | G      | H      | M      | N     | r     | T     | Approx. Weight |
|-----------|----------------|-------------|--------------------|-------------|--------------------|--------|---------|--------|--------|--------|-------|-------|-------|----------------|
|           |                | Part Number | J Outer Ring Width | Part Number | J Outer Ring Width |        |         |        |        |        |       |       |       |                |
| 203       | 1/2            | YB2B08NL*■  | 0.4724             | Y2B08NL*■   | 0.5118             | 1.5748 | 1 15/32 | 0.5469 | 1.0938 | 1 1/8  | 0.941 | 0.024 | 17/32 | 0.30           |
|           | 5/8            | YB210NL*■   |                    | Y210NL*■    |                    |        |         |        |        |        |       |       |       |                |
|           | 11/16          | YB211NL*■   |                    | Y211NL*■    |                    |        |         |        |        |        |       |       |       |                |
| 204       | 3/4            | YB212NL*■   | 0.5512             | Y212NL*■    | 0.5906             | 1.8504 | 1 23/32 | 0.6719 | 1.3438 | 1 5/16 | 1.121 | 0.039 | 17/32 | 0.50           |
| 205       | 7/8            | YB214NL*Δ■  | 0.5906             | Y214NL*Δ■   | 0.5906             | 2.0472 | 1 3/4   | 0.6875 | 1.3750 | 1 1/2  | 1.313 | 0.039 | 17/32 | 0.70           |
|           | 15/16          | YB215NL*Δ■  |                    | Y215NL*Δ■   |                    |        |         |        |        |        |       |       |       |                |
|           | 1              | YB216NL*Δ■  |                    | Y216NL*Δ■   |                    |        |         |        |        |        |       |       |       |                |
| 206       | 1 1/8          | YB218NL*■   | 0.6299             | Y218NL*■    | 0.7087             | 2.4409 | 1 29/32 | 0.7188 | 1.4375 | 1 3/4  | 1.587 | 0.039 | 5/8   | 0.90           |
|           | 1 3/16         | YB219NL*■   |                    | Y219NL*■    |                    |        |         |        |        |        |       |       |       |                |
|           | 1 1/4          | YB2E20NL*■  |                    | Y2E20NL*■   |                    |        |         |        |        |        |       |       |       |                |
| 207       | 1 1/4          | YB220NL*Δ■  | 0.6693             | Y220NL*Δ■   | 0.7480             | 2.8346 | 2 1/64  | 0.7422 | 1.4844 | 2 3/16 | 1.847 | 0.039 | 11/16 | 1.55           |
|           | 1 3/8          | YB222NL*Δ■  |                    | Y222NL*Δ■   |                    |        |         |        |        |        |       |       |       |                |
|           | 1 7/16         | YB223NL*Δ■  |                    | Y223NL*Δ■   |                    |        |         |        |        |        |       |       |       |                |
| 208       | 1 1/2          | YB224NL*Δ■  | 0.7087             | Y224NL*Δ■   | 0.8661             | 3.1496 | 2 7/32  | 0.8438 | 1.6875 | 2 3/8  | 2.083 | 0.039 | 23/32 | 1.90           |
| 209       | 1 5/8          | YB226NL*Δ■  | 0.7480             | Y226NL*Δ■   | 0.8661             | 3.3465 | 2 7/32  | 0.8438 | 1.6875 | 2 1/2  | 2.281 | 0.039 | 23/32 | 2.10           |
|           | 1 11/16        | YB227NL*Δ■  |                    | Y227NL*Δ■   |                    |        |         |        |        |        |       |       |       |                |
|           | 1 3/4          | YB228NL*Δ■  |                    | Y228NL*Δ■   |                    |        |         |        |        |        |       |       |       |                |
| 210       | 1 15/16        | YB231NL*Δ■  | 0.7874             | Y231NL*Δ■   | 0.8661             | 3.5433 | 2 15/32 | 0.9688 | 1.9375 | 2 3/4  | 2.475 | 0.039 | 23/32 | 2.10           |
|           | 2              | YB2E32NL*Δ■ |                    | Y2E32NL*Δ■  |                    |        |         |        |        |        |       |       |       |                |
| 211       | 2              | YB232NL*Δ■  | 0.8268             | Y232NL*Δ■   | 0.9843             | 3.9370 | 2 13/16 | 1.0938 | 2.1875 | 3      | 2.749 | 0.059 | 13/16 | 3.40           |
|           | 2 3/16         | YB235NL*Δ■  |                    | Y235NL*Δ■   |                    |        |         |        |        |        |       |       |       |                |
|           | 2 1/4          | YB236NL*Δ■  |                    | Y236NL*Δ■   |                    |        |         |        |        |        |       |       |       |                |
| 212       | 2 3/8          | YB238NL*Δ■  | 0.8661             | Y238NL*Δ■   | 1.0630             | 4.3307 | 3 1/16  | 1.2188 | 2.4375 | 3 1/4  | 3.012 | 0.059 | 7/8   | 3.80           |
|           | 2 7/16         | YB239NL*Δ■  |                    | Y239NL*Δ■   |                    |        |         |        |        |        |       |       |       |                |

## Additional Notes

- Please call 1-866-REXNORD for availability
- Dimension "r", max fillet radius of housing to clear bearing corner
- Bearing O.D. tolerance for size code 208 and below, +0.000 in/-0.0005 in (+0.000 mm/-0.013 mm); for all other size codes, +0.000 in/-0.0006 in (+0.000 mm/-0.015 mm)
- \* N lip seals standard
- Available with H labyrinth seals
  - Δ Available with E3 triple lip seals
- For the Selection Guide, Load Ratings and Speed Limits, see the Link-Belt 200 Series Ball Bearing Engineering section

Note: Dimensions subject to change. Certified dimensions of ordered material furnished on request.

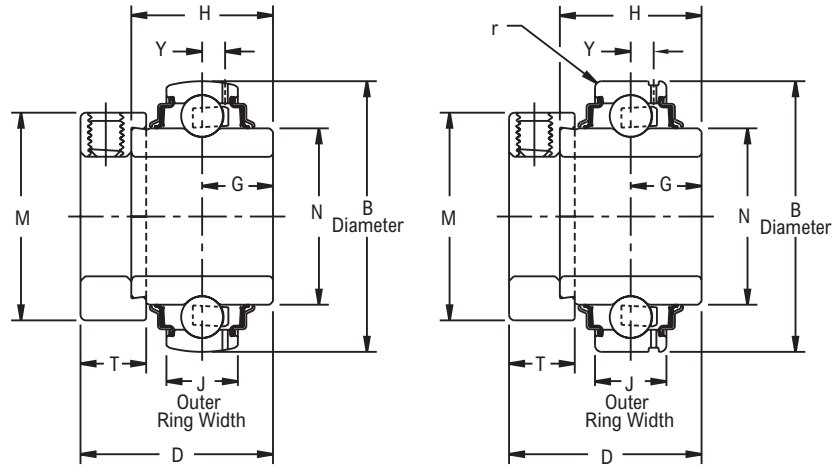
## YG200, YBG200



Photo Shows an Unmounted Ball Bearing Unit

### Product Features

- Broad range of sealing options
- Wide inner ring for increased shaft stability
- Eccentric cam locking device
- Sealed & relubricatable
- Spherical or Cylindrical O.D.
- See Features & Benefits for additional info.



### Bearing Dimensions

| Size Code | Shaft Diameter | Cylindrical |                    | Spherical   |                    | B O.D. | D       | G      | H      | M      | N     | r     | T     | Y     | Approx. Weight |
|-----------|----------------|-------------|--------------------|-------------|--------------------|--------|---------|--------|--------|--------|-------|-------|-------|-------|----------------|
|           |                | Part Number | J Outer Ring Width | Part Number | J Outer Ring Width |        |         |        |        |        |       |       |       |       |                |
| 203       | 1/2            | YBG2B08NL*■ | 0.4724             | YG2B08NL*■  | 0.5118             | 1.5748 | 1 15/32 | 0.5469 | 1.0938 | 1 1/8  | 0.941 | 0.024 | 17/32 | 0.158 | 0.30           |
|           | 5/8            | YBG210NL*■  |                    | YG210NL*■   |                    |        |         |        |        |        |       |       |       |       |                |
|           | 11/16          | YBG211NL*■  |                    | YG211NL*■   |                    |        |         |        |        |        |       |       |       |       |                |
| 204       | 3/4            | YBG212NL*■  | 0.5512             | YG212NL*■   | 0.5906             | 1.8504 | 1 23/32 | 0.6719 | 1.3438 | 1 5/16 | 1.121 | 0.039 | 17/32 | 0.176 | 0.50           |
|           | 7/8            | YBG214NL*Δ  |                    | YG214NL*Δ   |                    |        |         |        |        |        |       |       |       |       |                |
| 205       | 15/16          | YBG215NL*Δ  | 0.5906             | YG215NL*Δ   | 0.5906             | 2.0472 | 1 3/4   | 0.6875 | 1.3750 | 1 1/2  | 1.313 | 0.039 | 17/32 | 0.176 | 0.70           |
|           | 1              | YBG216NL*Δ  |                    | YG216NL*Δ   |                    |        |         |        |        |        |       |       |       |       |                |
|           | 1 1/8          | YBG218NL*■  |                    | YG218NL*■   |                    |        |         |        |        |        |       |       |       |       |                |
| 206       | 1 3/16         | YBG219NL*■  | 0.7087             | YG219NL*■   | 0.7087             | 2.4409 | 1 29/32 | 0.7188 | 1.4375 | 1 3/4  | 1.587 | 0.039 | 5/8   | 0.202 | 0.90           |
|           | 1 1/4          | YBG2E20NL*■ |                    | YG2E20NL*■  |                    |        |         |        |        |        |       |       |       |       |                |
|           | 1 1/4          | YBG220NL*Δ  |                    | YG220NL*Δ   |                    |        |         |        |        |        |       |       |       |       |                |
| 207       | 1 3/8          | YBG222NL*Δ  | 0.7480             | YG222NL*Δ   | 0.7480             | 2.8346 | 2 1/64  | 0.7422 | 1.4844 | 2 3/16 | 1.847 | 0.039 | 11/16 | 0.239 | 1.55           |
|           | 1 7/16         | YBG223NL*Δ  |                    | YG223NL*Δ   |                    |        |         |        |        |        |       |       |       |       |                |
|           | 1 1/2          | YBG224NL*Δ  |                    | YG224NL*Δ   |                    |        |         |        |        |        |       |       |       |       |                |
| 208       | 1 5/8          | YBG226NL*Δ  | 0.8268             | YG226NL*Δ   | 0.8661             | 3.1496 | 2 7/32  | 0.8438 | 1.6875 | 2 3/8  | 2.083 | 0.039 | 23/32 | 0.253 | 1.90           |
|           | 1 11/16        | YBG227NL*Δ  |                    | YG227NL*Δ   |                    |        |         |        |        |        |       |       |       |       |                |
|           | 1 3/4          | YBG228NL*Δ  |                    | YG228NL*Δ   |                    |        |         |        |        |        |       |       |       |       |                |
| 209       | 1 15/16        | YBG231NL*Δ  | 0.8661             | YG231NL*Δ   | 0.8661             | 3.3465 | 2 7/32  | 0.8438 | 1.6875 | 2 1/2  | 2.281 | 0.039 | 23/32 | 0.254 | 2.10           |
|           | 2              | YBG2E32NL*Δ |                    | YG2E32NL*Δ  |                    |        |         |        |        |        |       |       |       |       |                |
|           | 1 3/4          | YBG232NL*Δ  |                    | YG232NL*Δ   |                    |        |         |        |        |        |       |       |       |       |                |
| 210       | 1 15/16        | YBG231NL*Δ  | 0.9055             | YG231NL*Δ   | 0.8661             | 3.5433 | 2 15/32 | 0.9688 | 1.9375 | 2 3/4  | 2.475 | 0.039 | 23/32 | 0.268 | 2.10           |
|           | 2              | YBG2E32NL*Δ |                    | YG2E32NL*Δ  |                    |        |         |        |        |        |       |       |       |       |                |
|           | 2 1/4          | YBG236NL*Δ  |                    | YG236NL*Δ   |                    |        |         |        |        |        |       |       |       |       |                |
| 211       | 2 3/16         | YBG235NL*Δ  | 0.9843             | YG235NL*Δ   | 0.9843             | 3.9370 | 2 13/16 | 1.0938 | 2.1875 | 3      | 2.749 | 0.059 | 13/16 | 0.295 | 3.40           |
|           | 2 1/4          | YBG236NL*Δ  |                    | YG236NL*Δ   |                    |        |         |        |        |        |       |       |       |       |                |
|           | 2 3/8          | YBG238NL*Δ  |                    | YG238NL*Δ   |                    |        |         |        |        |        |       |       |       |       |                |
| 212       | 2 3/8          | YBG238NL*Δ  | 1.0630             | YG238NL*Δ   | 1.0630             | 4.3307 | 3 1/16  | 1.2188 | 2.4375 | 3 1/4  | 3.012 | 0.059 | 7/8   | 0.330 | 3.80           |
|           | 2 7/16         | YBG239NL*Δ  |                    | YG239NL*Δ   |                    |        |         |        |        |        |       |       |       |       |                |

### Additional Notes

- Please call 1-866-REXNORD for availability
- Dimension "r", max fillet radius of housing to clear bearing corner
- Bearing O.D. tolerance for size code 208 and below, +.0000 in/-.0005 in (+0.000 mm/-0.013 mm); for all other size codes, +.0000 in/-.0006 in (+0.000 mm/-0.015 mm)
- \* N lip seals standard
- Available with H labyrinth seals
- Δ Available with E3 triple lip seals
- For the Selection Guide, Load Ratings and Speed Limits, see the Link-Belt 200 Series Ball Bearing Engineering section

Note: Dimensions subject to change. Certified dimensions of ordered material furnished on request.

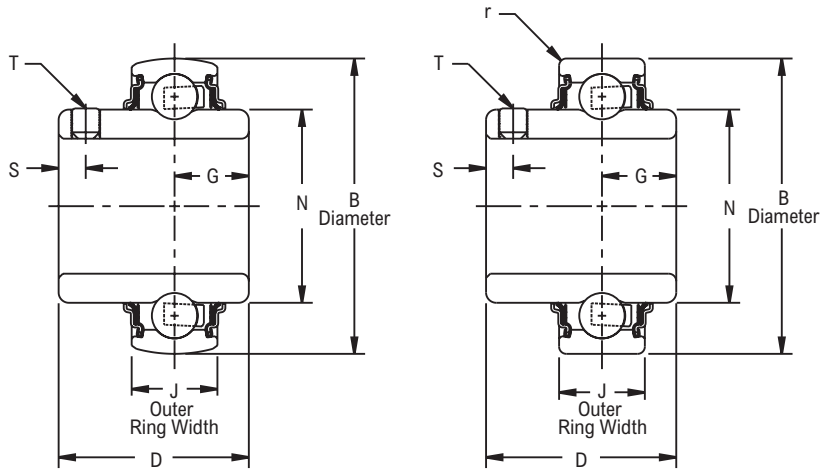
# U200, UB200



Photo Shows an Unmounted Ball Bearing Unit

## Product Features

- Broad range of sealing options
- Wide inner ring for increased shaft stability
- Spring locking setscrew mount
- Sealed & non-relubricatable
- Spherical or Cylindrical O.D.
- See Features & Benefits for additional info.



## Bearing Dimensions

| Size Code | Shaft Diameter | Cylindrical |                    | Spherical   |                    | B O.D.  | D       | G       | N      | r     | S       | T        | Approx. Weight |
|-----------|----------------|-------------|--------------------|-------------|--------------------|---------|---------|---------|--------|-------|---------|----------|----------------|
|           |                | Part Number | J Outer Ring Width | Part Number | J Outer Ring Width |         |         |         |        |       |         |          |                |
| 203       | 1/2            | UB2B08NL*■  | 0.4724             | U2B08NL*■   | 0.5118             | 1.5748  | 1 3/32  | 0.4531  | 0.941  | 0.024 | 0.15    | #10-32   | 0.25           |
|           | 5/8            | UB210NL*■   |                    | U210NL*■    |                    |         |         |         |        |       |         |          |                |
|           | 11/16          | UB211NL*■   |                    | U211NL*■    |                    |         |         |         |        |       |         |          |                |
| 204       | 17.00          | UB2M17NL*■  | 12.0000            | U2M17NL*■   | 13.0000            | 40.0000 | 27.78   | 11.5090 | 23.900 | 0.610 | 3.80    | #10-32   | 0.10           |
|           | 3/4            | UB212NL*■   | 0.5512             | U212NL*■    | 0.5906             | 1.8504  | 1 9/32  | 0.5313  | 1.121  | 0.039 | 0.19    | #1/4-28  | 0.50           |
| 205       | 20.00          | UB2M20NL*■  | 14.0000            | U2M20NL*■   | 15.0000            | 47.0000 | 32.54   | 13.4940 | 28.470 | 1.000 | 4.80    | #1/4-28  | 0.20           |
|           | 7/8            | UB214NL*Δ   | 0.5906             | U214NL*Δ    | 0.5906             | 2.0472  | 1 23/64 | 0.5625  | 1.313  | 0.039 | 0.22    | #1/4-28  | 0.50           |
| 15/16     | UB215NL*Δ      | U215NL*Δ    |                    |             |                    |         |         |         |        |       |         |          |                |
| 1         | UB216NL*Δ      | U216NL*Δ    |                    |             |                    |         |         |         |        |       |         |          |                |
| 206       | 25.00          | UB2M25NL*Δ  | 15.0000            | U2M25NL*Δ   | 15.0000            | 52.0000 | 34.53   | 14.2880 | 33.350 | 1.000 | 5.60    | #1/4-28  | 0.20           |
|           | 1 1/8          | UB218NL*■   | 0.6299             | U218NL*■    | 0.7087             | 2.4409  | 1 9/16  | 0.6094  | 1.587  | 0.039 | 0.22    | #1/4-28  | 0.80           |
| 1 3/16    | UB219NL*■      | U219NL*■    |                    |             |                    |         |         |         |        |       |         |          |                |
| 1 1/4     | UB2E20NL*■     | U2E20NL*■   |                    |             |                    |         |         |         |        |       |         |          |                |
| 207       | 30.00          | UB2M30NL*■  | 16.0000            | U2M30NL*■   | 18.0000            | 62.0000 | 39.69   | 15.4780 | 40.310 | 1.000 | 5.60    | #1/4-28  | 0.35           |
|           | 1 1/4          | UB220NL*Δ   | 0.6693             | U220NL*Δ    | 0.7480             | 2.8346  | 1 49/64 | 0.6563  | 1.847  | 0.039 | 0.25    | #5/16-24 | 1.20           |
| 1 3/8     | UB222NL*Δ      | U222NL*Δ    |                    |             |                    |         |         |         |        |       |         |          |                |
| 1 7/16    | UB223NL*Δ      | U223NL*Δ    |                    |             |                    |         |         |         |        |       |         |          |                |
| 208       | 35.00          | UB2M35NL*Δ  | 17.0000            | U2M35NL*Δ   | 19.0000            | 72.0000 | 44.85   | 16.6690 | 46.910 | 1.000 | 6.40    | #5/16-24 | 0.55           |
|           | 1 1/2          | UB224NL*Δ   | 0.7087             | U224NL*Δ    | 0.8661             | 3.1496  | 1 29/32 | 0.7344  | 2.083  | 0.039 | 0.32    | #5/16-24 | 1.50           |
| 40.00     | UB2M40NL*Δ     | U2M40NL*Δ   |                    |             |                    |         |         |         |        |       |         |          |                |
| 45.00     | UB2M45NL*Δ     | 19.0000     |                    | U2M45NL*Δ   |                    |         |         |         |        |       |         |          |                |
| 209       | 1 5/8          | UB226NL*Δ   | 0.7480             | U226NL*Δ    | 0.8661             | 3.3465  | 2 1/32  | 0.7969  | 2.281  | 0.039 | 0.32    | #5/16-24 | 2.00           |
|           | 1 11/16        | UB227NL*Δ   |                    | U227NL*Δ    |                    |         |         |         |        |       |         |          |                |
| 1 3/4     | UB228NL*Δ      | U228NL*Δ    |                    |             |                    |         |         |         |        |       |         |          |                |
| 210       | 50.00          | UB2M50NL*Δ  | 20.0000            | U2M50NL*Δ   | 22.0000            | 90.0000 | 53.18   | 21.0340 | 62.860 | 1.000 | 9.60    | #3/8-24  | 1.00           |
|           | 1 15/16        | UB231NL*Δ   | 0.7874             | U231NL*Δ    | 0.8661             | 3.5433  | 2 3/32  | 0.8261  | 2.475  | 0.039 | 0.38    | #3/8-24  | 2.20           |
| 2         | UB2E32NL*Δ     | U2E32NL*Δ   |                    |             |                    |         |         |         |        |       |         |          |                |
| 50.00     | UB2M50NL*Δ     | 20.0000     |                    | U2M50NL*Δ   |                    |         |         |         |        |       |         |          |                |
| 211       | 2              | UB232NL*Δ   | 0.8268             | U232NL*Δ    | 0.9843             | 3.9370  | 2 1/4   | 0.8438  | 2.749  | 0.059 | 0.38    | #3/8-24  | 2.40           |
|           | 2 3/16         | UB235NL*Δ   |                    | U235NL*Δ    |                    |         |         |         |        |       |         |          |                |
| 55.00     | UB2M55NL*Δ     | 21.0000     |                    | U2M55NL*Δ   |                    |         |         |         |        |       |         |          |                |
| 212       | 2 1/4          | UB236NL*Δ   | 0.8661             | U236NL*Δ    | 1.0630             | 4.3307  | 2 1/2   | 0.9375  | 3.012  | 0.059 | 0.38    | #3/8-24  | 3.40           |
|           | 2 3/8          | UB238NL*Δ   |                    | U238NL*Δ    |                    |         |         |         |        |       |         |          |                |
| 2 7/16    | UB239NL*Δ      | U239NL*Δ    |                    |             |                    |         |         |         |        |       |         |          |                |
| 60.00     | UB2M60NL*Δ     | 22.0000     | U2M60NL*Δ          | 27.0000     | 110.0000           | 63.50   | 23.8130 | 76.500  | 1.500  | 9.60  | #3/8-24 | 1.50     |                |

## Additional Notes

- Please call 1-866-REXNORD for availability
- Dimension "r", max fillet radius of housing to clear bearing corner
- Bearing O.D. tolerance for size code 208 and below, +0.000 in/-0.0005 in (+0.000 mm/-0.013 mm); for all other size codes, +0.000 in/-0.0006 in (+0.000 mm/-0.015 mm)
- \* N lip seals standard
- Available with H labyrinth seals
- Δ Available with E3 triple lip seals
- For the Selection Guide, Load Ratings and Speed Limits, see the Link-Belt 200 Series Ball Bearing Engineering section

Note: Dimensions subject to change. Certified dimensions of ordered material furnished on request.

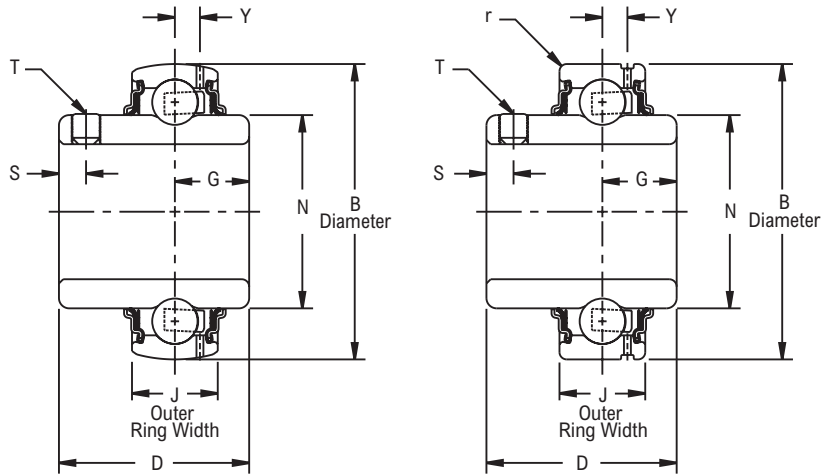
## UG200, UBG200



Photo Shows an Unmounted Ball Bearing Unit

### Product Features

- Broad range of sealing options
- Wide inner ring for increased shaft stability
- Spring locking setscrew mount
- Sealed & relubricatable
- Spherical or Cylindrical O.D.
- See Features & Benefits for additional info.



### Bearing Dimensions

| Size Code | Shaft Diameter | Cylindrical  |                    | Spherical   |                    | B O.D.  | D       | G       | M | N      | r     | S    | T        | Y     | Approx. Weight |
|-----------|----------------|--------------|--------------------|-------------|--------------------|---------|---------|---------|---|--------|-------|------|----------|-------|----------------|
|           |                | Part Number  | J Outer Ring Width | Part Number | J Outer Ring Width |         |         |         |   |        |       |      |          |       |                |
| 203       | 1/2            | UBG2B08NL*■  | 0.4724             | UG2B08NL*■  | 0.5118             | 1.5748  | 1 3/32  | 0.4531  | - | 0.941  | 0.024 | 0.15 | #10-32   | 0.158 | 0.25           |
|           | 5/8            | UBG210NL*■   |                    | UG210NL*■   |                    |         |         |         |   |        |       |      |          |       |                |
|           | 11/16          | UBG211NL*■   |                    | UG211NL*■   |                    |         |         |         |   |        |       |      |          |       |                |
|           | 17.00          | UBG2M17NL*■  | 12.0000            | UG2M17NL*■  | 13.0000            | 40.0000 | 27.78   | 11.5090 | - | 23.900 | 0.610 | 3.80 | #10-32   | 4.010 | 0.10           |
| 204       | 3/4            | UBG212NL*■   | 0.5512             | UG212NL*■   | 0.5906             | 1.8504  | 1 9/32  | 0.5313  | - | 1.121  | 0.039 | 0.19 | #1/4-28  | 0.176 | 0.50           |
|           | 20.00          | UBG2M20NL*■  | 14.0000            | UG2M20NL*■  | 15.0000            | 47.0000 | 32.54   | 13.4940 | - | 28.470 | 1.000 | 4.80 | #1/4-28  | 4.470 | 0.20           |
| 205       | 7/8            | UBG214NL*Δ■  | 0.5906             | UG214NL*Δ■  | 0.5906             | 2.0472  | 1 23/64 | 0.5625  | - | 1.313  | 0.039 | 0.22 | #1/4-28  | 0.176 | 0.50           |
|           | 15/16          | UBG215NL*Δ■  |                    | UG215NL*Δ■  |                    |         |         |         |   |        |       |      |          |       |                |
|           | 1              | UBG216NL*Δ■  |                    | UG216NL*Δ■  |                    |         |         |         |   |        |       |      |          |       |                |
|           | 25.00          | UBG2M25NL*Δ■ |                    | 15.0000     |                    |         |         |         |   |        |       |      |          |       |                |
| 206       | 1 1/8          | UBG218NL*■   | 0.7087             | UG218NL*■   | 0.7087             | 2.4409  | 1 9/16  | 0.6094  | - | 1.587  | 0.039 | 0.22 | #1/4-28  | 0.202 | 0.80           |
|           | 1 3/16         | UBG219NL*■   |                    | UG219NL*■   |                    |         |         |         |   |        |       |      |          |       |                |
|           | 1 1/4          | UBG2E20NL*■  |                    | UG2E20NL*■  |                    |         |         |         |   |        |       |      |          |       |                |
|           | 30.00          | UBG2M30NL*■  |                    | 18.0000     |                    |         |         |         |   |        |       |      |          |       |                |
| 207       | 1 1/4          | UBG220NL*Δ■  | 0.7480             | UG220NL*Δ■  | 0.7480             | 2.8346  | 1 49/64 | 0.6563  | - | 1.847  | 0.039 | 0.25 | #5/16-24 | 0.239 | 1.20           |
|           | 1 3/8          | UBG222NL*Δ■  |                    | UG222NL*Δ■  |                    |         |         |         |   |        |       |      |          |       |                |
|           | 1 7/16         | UBG223NL*Δ■  |                    | UG223NL*Δ■  |                    |         |         |         |   |        |       |      |          |       |                |
|           | 35.00          | UBG2M35NL*Δ■ |                    | 19.0000     |                    |         |         |         |   |        |       |      |          |       |                |
| 208       | 1 1/2          | UBG224NL*Δ■  | 0.8268             | UG224NL*Δ■  | 0.8661             | 3.1496  | 1 29/32 | 0.7344  | - | 2.083  | 0.039 | 0.32 | #5/16-24 | 0.253 | 1.50           |
|           | 40.00          | UBG2M40NL*Δ■ | 21.0000            | UG2M40NL*Δ■ | 22.0000            | 80.0000 | 48.42   | 18.6530 | - | 52.910 | 1.000 | 8.10 | #5/16-24 | 6.430 | 0.70           |
| 209       | 1 5/8          | UBG226NL*Δ■  | 0.8661             | UG226NL*Δ■  | 0.8661             | 3.3465  | 2 1/32  | 0.7969  | - | 2.281  | 0.039 | 0.32 | #5/16-24 | 0.254 | 2.00           |
|           | 1 11/16        | UBG227NL*Δ■  |                    | UG227NL*Δ■  |                    |         |         |         |   |        |       |      |          |       |                |
|           | 1 3/4          | UBG228NL*Δ■  |                    | UG228NL*Δ■  |                    |         |         |         |   |        |       |      |          |       |                |
|           | 45.00          | UBG2M45NL*Δ■ |                    | 22.0000     |                    |         |         |         |   |        |       |      |          |       |                |
| 210       | 1 15/16        | UBG231NL*Δ■  | 0.9055             | UG231NL*Δ■  | 0.8661             | 3.5433  | 2 3/32  | 0.8281  | - | 2.475  | 0.039 | 0.38 | #3/8-24  | 0.268 | 2.20           |
|           | 50.00          | UBG2M50NL*Δ■ | 23.0000            | UG2M50NL*Δ■ | 22.0000            | 90.0000 | 53.18   | 21.0340 | - | 62.860 | 1.000 | 9.60 | #3/8-24  | 6.810 | 1.00           |
| 211       | 2              | UBG232NL*Δ■  | 0.9843             | UG232NL*Δ■  | 0.9843             | 3.9370  | 2 1/4   | 0.8438  | - | 2.749  | 0.059 | 0.38 | #3/8-24  | 0.295 | 2.40           |
|           | 2 3/16         | UBG235NL*Δ■  |                    | UG235NL*Δ■  |                    |         |         |         |   |        |       |      |          |       |                |
|           | 55.00          | UBG2M55NL*Δ■ |                    | 25.0000     |                    |         |         |         |   |        |       |      |          |       |                |
| 212       | 2 1/4          | UBG236NL*Δ■  | 1.0630             | UG236NL*Δ■  | 1.0630             | 4.3307  | 2 1/2   | 0.9375  | - | 3.012  | 0.059 | 0.38 | #3/8-24  | 0.330 | 3.40           |
|           | 2 3/8          | UBG238NL*Δ■  |                    | UG238NL*Δ■  |                    |         |         |         |   |        |       |      |          |       |                |
|           | 2 7/16         | UBG239NL*Δ■  |                    | UG239NL*Δ■  |                    |         |         |         |   |        |       |      |          |       |                |
|           | 60.00          | UBG2M60NL*Δ■ |                    | 27.0000     |                    |         |         |         |   |        |       |      |          |       |                |

Continued...

Continued...

**Bearing Dimensions**

| Size Code | Shaft Diameter | Cylindrical |                    | Spherical   |                    | B O.D.   | D       | G       | M       | N       | r | S | T | Y      | Approx. Weight |
|-----------|----------------|-------------|--------------------|-------------|--------------------|----------|---------|---------|---------|---------|---|---|---|--------|----------------|
|           |                | Part Number | J Outer Ring Width | Part Number | J Outer Ring Width |          |         |         |         |         |   |   |   |        |                |
| 213       | 2 1/2          | -           | -                  | UG240NL*Δ   | 1.0630             | 4.7244   | 2 11/16 | 1.0000  | 4 3/16  | 3.331   | - | - | - | 0.343  | 5.80           |
|           | 2 11/16        | -           | -                  | UG243NL*Δ   |                    |          |         |         |         |         |   |   |   |        |                |
|           | 65.00          | -           | -                  | UG2M65NL*Δ  | 27.0000            | 120.0000 | 68.26   | 25.4000 | 106.40  | 84.610  | - | - | - | 8.710  | 2.60           |
| 215       | 2 3/4          | -           | -                  | UG244NL*Δ   |                    |          |         |         |         |         |   |   |   |        |                |
|           | 2 15/16        | -           | -                  | UG247NL*Δ   | 1.1417             | 5.1181   | 2 7/8   | 1.0625  | 4 5/8   | 3.624   | - | - | - | 0.367  | 7.30           |
|           | 3              | -           | -                  | UG2E48NL*Δ  |                    |          |         |         |         |         |   |   |   |        |                |
|           | 75.00          | -           | -                  | UG2M75NL*Δ  | 29.0000            | 130.0000 | 73.02   | 26.9870 | 117.50  | 92.050  | - | - | - | 9.320  | 3.30           |
| 217       | 3 7/16         | -           | -                  | UG255NL*Δ   | 1.3386             | 5.9055   | 3 9/16  | 1.4375  | 5 3/16  | 4.158   | - | - | - | 0.415  | 9.50           |
|           | 3 1/2          | -           | -                  | UG2E56NL*Δ  |                    |          |         |         |         |         |   |   |   |        |                |
|           | 85.00          | -           | -                  | UG2M85NL*Δ  | 34.0000            | 150.0000 | 90.49   | 36.5130 | 131.80  | 105.610 | - | - | - | 10.540 | 4.30           |
| 220       | 3 15/16        | -           | -                  | UG263NL*    | 1.5748             | 7.0866   | 4 1/4   | 1.6719  | 5 15/16 | 4.913   | - | - | - | 0.504  | 16.00          |
|           | 4              | -           | -                  | UG2E64NL*   |                    |          |         |         |         |         |   |   |   |        |                |
|           | 100.00         | -           | -                  | UG2M100NL*  | 40.0000            | 180.0000 | 107.95  | 42.4660 | 150.80  | 124.790 | - | - | - | 12.800 | 7.20           |

**Additional Notes**

Please call 1-866-REXNORD for availability  
 Bearing O.D. tolerance for size code 208 and below,  
 +.0000 in/- .0005 in (**+0.000 mm/-0.013 mm**)  
 Bearing O.D. tolerance for size codes 209 thru 214,  
 +.0000 in/- .0006 in (**+0.000 mm/-0.015 mm**)  
 Bearing O.D. tolerance for size codes 215 thru 217,  
 +.0000 in/- .0008 in (**+0.000 mm/-0.020 mm**)  
 Bearing O.D. tolerance for all other size codes,  
 +.0000 in/- .0010 in (**+0.000 mm/-0.025 mm**)

Dimension "r", max fillet radius of housing to clear bearing corner

\* N lip seals standard

■ Available with H labyrinth seals

Δ Available with E3 triple lip seals

For the Selection Guide, Load Ratings and Speed Limits, see the Link-Belt 200 Series Ball Bearing Engineering section

Note: Dimensions subject to change. Certified dimensions of ordered material furnished on request.

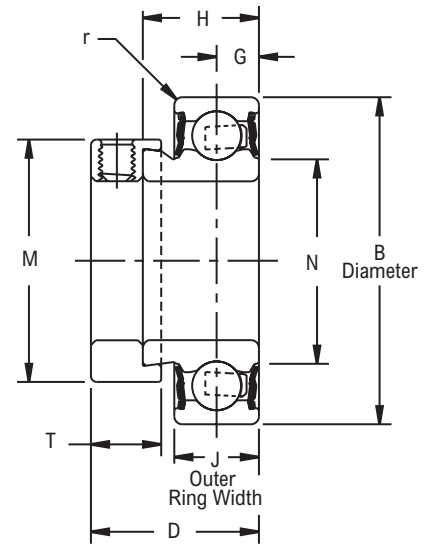
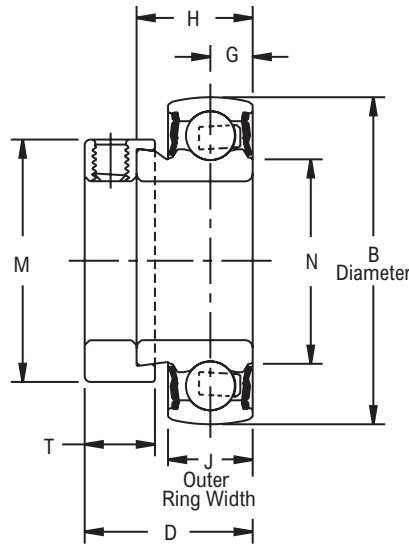
## W200, WB200



Photo Shows an Unmounted Ball Bearing Unit

### Product Features

- Eccentric cam locking device
- Sealed & non-relubricatable
- Spherical or Cylindrical O.D.
- See Features & Benefits for additional info.



### Bearing Dimensions

| Size Code | Shaft Diameter | Cylindrical | Spherical   | B O.D. | J Outer Ring Width | D       | G      | H      | M      | N     | r     | T     | Approx. Weight |
|-----------|----------------|-------------|-------------|--------|--------------------|---------|--------|--------|--------|-------|-------|-------|----------------|
|           |                | Part Number | Part Number |        |                    |         |        |        |        |       |       |       |                |
| 203       | 1/2            | WB2B08EL▲   | W2B08EL▲    | 1.5748 | 0.5118             | 1 1/8   | 0.2559 | 0.7500 | 1 1/8  | 0.879 | 0.024 | 17/32 | 0.30           |
|           | 5/8            | WB210EL▲    | W210EL▲     |        |                    |         |        |        |        |       |       |       |                |
| 204       | 3/4            | WB212EL▲    | W212EL▲     | 1.8504 | 0.5906             | 1 7/32  | 0.2953 | 0.8437 | 1 5/16 | 1.013 | 0.039 | 17/32 | 0.50           |
|           | 7/8            | WB214EL▲    | W214EL▲     |        |                    |         |        |        |        |       |       |       |                |
| 205       | 15/16          | WB215EL▲    | W215EL▲     | 2.0472 | 0.5906             | 1 7/32  | 0.2953 | 0.8437 | 1 1/2  | 1.210 | 0.039 | 17/32 | 0.50           |
|           | 1              | WB216EL▲    | W216EL▲     |        |                    |         |        |        |        |       |       |       |                |
|           | 1 1/8          | WB218EL▲    | W218EL▲     |        |                    |         |        |        |        |       |       |       |                |
| 206       | 1 3/16         | WB219EL▲    | W219EL▲     | 2.4409 | 0.7087             | 1 13/32 | 0.3543 | 0.9375 | 1 3/4  | 1.587 | 0.039 | 5/8   | 0.75           |
|           | 1 1/4          | WB2E20EL▲   | W2E20EL▲    |        |                    |         |        |        |        |       |       |       |                |
|           | 1 1/4          | WB220EL▲    | W220EL▲     |        |                    |         |        |        |        |       |       |       |                |
| 207       | 1 3/8          | WB222EL▲    | W222EL▲     | 2.8346 | 0.7480             | 1 17/32 | 0.3740 | 1.0000 | 2 3/16 | 1.847 | 0.039 | 11/16 | 1.30           |
|           | 1 7/16         | WB223EL▲    | W223EL▲     |        |                    |         |        |        |        |       |       |       |                |
|           | 1 1/2          | WB224EL▲    | W224EL▲     |        |                    |         |        |        |        |       |       |       |                |
| 208       | 1 5/8          | WB226EL▲    | W226EL▲     | 3.1496 | 0.8661             | 1 23/32 | 0.4330 | 1.1875 | 2 3/8  | 2.083 | 0.039 | 23/32 | 1.60           |
|           | 1 11/16        | WB227EL▲    | W227EL▲     |        |                    |         |        |        |        |       |       |       |                |
|           | 1 3/4          | WB228EL▲    | W228EL▲     |        |                    |         |        |        |        |       |       |       |                |
| 209       | 1 15/16        | WB231EL▲    | W231EL▲     | 3.3465 | 0.8661             | 1 23/32 | 0.4330 | 1.1875 | 2 1/2  | 2.109 | 0.039 | 23/32 | 1.70           |
|           | 2              | WB2E32EL▲   | W2E32EL▲    |        |                    |         |        |        |        |       |       |       |                |
| 210       | 1 15/16        | WB231EL▲    | W231EL▲     | 3.5433 | 0.8661             | 1 23/32 | 0.4330 | 1.1875 | 2 3/4  | 2.306 | 0.039 | 23/32 | 1.75           |
|           | 2              | WB2E32EL▲   | W2E32EL▲    |        |                    |         |        |        |        |       |       |       |                |

### Additional Notes

- Please call 1-866-REXNORD for availability
- Dimension "r", max fillet radius of housing to clear bearing corner
- Bearing O.D. tolerance for size code 208 and below, +.0000 in/-.0005 in (+0.000 mm/-0.013 mm) for all other size codes, +.0000 in/-.0006 in (+0.000 mm/-0.015 mm)
- ▲ E lip seals standard

For the Selection Guide, Load Ratings and Speed Limits, see the Link-Belt 200 Series Ball Bearing Engineering section

Note: Dimensions subject to change. Certified dimensions of ordered material furnished on request.

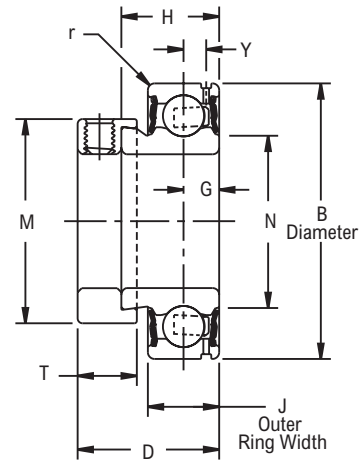
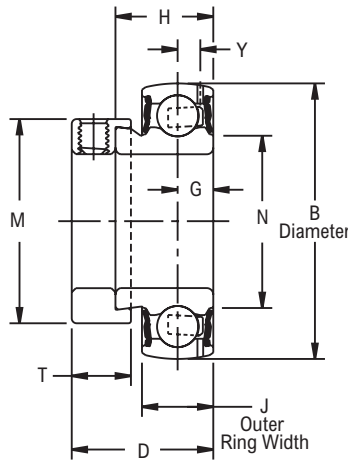
# WG200, WBG200



Photo Shows an Unmounted Ball Bearing Unit

## Product Features

- Eccentric cam locking device
- Sealed & relubricatable
- Spherical or Cylindrical O.D.
- See Features & Benefits for additional info.



## Bearing Dimensions

| Size Code | Shaft Diameter | Cylindrical | Spherical   | B O.D. | J Outer Ring Width | D       | G      | H      | M      | N     | r     | T     | Y     | Approx. Weight |
|-----------|----------------|-------------|-------------|--------|--------------------|---------|--------|--------|--------|-------|-------|-------|-------|----------------|
|           |                | Part Number | Part Number |        |                    |         |        |        |        |       |       |       |       |                |
| 203       | 1/2            | WBG2B08EL▲  | WG2B08EL▲   | 1.5748 | 0.5118             | 1 1/8   | 0.2559 | 0.7500 | 1 1/8  | 0.879 | 0.024 | 17/32 | 0.158 | 0.30           |
|           | 5/8            | WBG210EL▲   | WG210EL▲    |        |                    |         |        |        |        |       |       |       |       |                |
| 204       | 3/4            | WBG212EL▲   | WG212EL▲    | 1.8504 | 0.5906             | 1 7/32  | 0.2953 | 0.8437 | 1 5/16 | 1.013 | 0.039 | 17/32 | 0.176 | 0.50           |
| 205       | 7/8            | WBG214EL▲   | WG214EL▲    | 2.0472 | 0.5906             | 1 7/32  | 0.2953 | 0.8437 | 1 1/2  | 1.210 | 0.039 | 17/32 | 0.176 | 0.50           |
|           | 15/16          | WBG215EL▲   | WG215EL▲    |        |                    |         |        |        |        |       |       |       |       |                |
|           | 1              | WBG216EL▲   | WG216EL▲    |        |                    |         |        |        |        |       |       |       |       |                |
| 206       | 1 1/8          | WBG218EL▲   | WG218EL▲    | 2.4409 | 0.7087             | 1 13/32 | 0.3543 | 0.9375 | 1 3/4  | 1.587 | 0.039 | 5/8   | 0.202 | 0.75           |
|           | 1 3/16         | WBG219EL▲   | WG219EL▲    |        |                    |         |        |        |        |       |       |       |       |                |
|           | 1 1/4          | WBG220EL▲   | WG220EL▲    |        |                    |         |        |        |        |       |       |       |       |                |
| 207       | 1 1/4          | WBG220EL▲   | WG220EL▲    | 2.8346 | 0.7480             | 1 17/32 | 0.3740 | 1.0000 | 2 3/16 | 1.847 | 0.039 | 11/16 | 0.239 | 1.30           |
|           | 1 3/8          | WBG222EL▲   | WG222EL▲    |        |                    |         |        |        |        |       |       |       |       |                |
|           | 1 7/16         | WBG223EL▲   | WG223EL▲    |        |                    |         |        |        |        |       |       |       |       |                |
| 208       | 1 1/2          | WBG224EL▲   | WG224EL▲    | 3.1496 | 0.8661             | 1 23/32 | 0.4330 | 1.1875 | 2 3/8  | 2.083 | 0.039 | 23/32 | 0.253 | 1.60           |
|           | 1 5/8          | WBG226EL▲   | WG226EL▲    | 3.3465 | 0.8661             | 1 23/32 | 0.4330 | 1.1875 | 2 1/2  | 2.109 | 0.039 | 23/32 | 0.254 | 1.70           |
| 1 11/16   | WBG227EL▲      | WG227EL▲    |             |        |                    |         |        |        |        |       |       |       |       |                |
| 1 3/4     | WBG228EL▲      | WG228EL▲    |             |        |                    |         |        |        |        |       |       |       |       |                |
| 210       | 1 15/16        | WBG231EL▲   | WG231EL▲    | 3.5433 | 0.8661             | 1 23/32 | 0.4330 | 1.1875 | 2 3/4  | 2.306 | 0.039 | 23/32 | 0.268 | 1.75           |
|           | 2              | WBG2E32EL▲  | WG2E32EL▲   |        |                    |         |        |        |        |       |       |       |       |                |

## Additional Notes

- Please call 1-866-REXNORD for availability
- Dimension "r", max fillet radius of housing to clear bearing corner
- Bearing O.D. tolerance for size code 208 and below, +.0000 in/-.0005 in (+0.000 mm/-0.013 mm); for all other size codes, +.0000 in/-.0006 in (+0.000 mm/-0.015 mm)
- ▲ E lip seals standard
- For the Selection Guide, Load Ratings and Speed Limits, see the Link-Belt 200 Series Ball Bearing Engineering section
- Note: Dimensions subject to change. Certified dimensions of ordered material furnished on request.

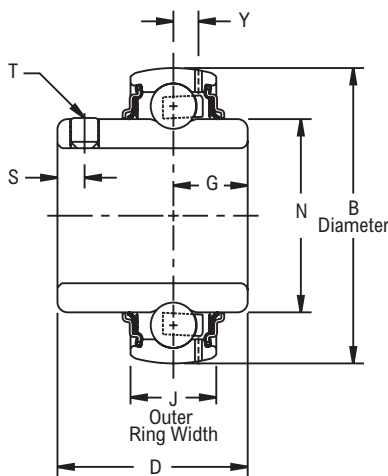
## SG200 (Scheduled to be discontinued in 2013)



Photo Shows an Unmounted Ball Bearing Unit

### Product Features

- Spring locking setscrew mount
- Sealed & relubricatable
- Spherical O.D.
- See Features & Benefits for additional info.



### Bearing Dimensions

| Size Code | Shaft Diameter | Part Number | B O.D. | J Outer Ring Width | D       | G      | N     | S    | T       | Y     | Approx. Weight |
|-----------|----------------|-------------|--------|--------------------|---------|--------|-------|------|---------|-------|----------------|
| 204       | 3/4            | SG212EL▲    | 1.8504 | 0.5906             | 1 1/8   | 0.3760 | 1.116 | 0.23 | 1/4-28  | 0.176 | 0.40           |
|           | 7/8            | SG214EL▲    |        |                    |         |        |       |      |         |       |                |
| 205       | 15/16          | SG215EL▲    | 2.0472 | 0.5906             | 1 11/64 | 0.3760 | 1.313 | 0.25 | 1/4-28  | 0.176 | 0.50           |
|           | 1              | SG216EL▲    |        |                    |         |        |       |      |         |       |                |
| 206       | 1 1/8          | SG218EL▲    | 2.4409 | 0.7087             | 1 11/32 | 0.3920 | 1.587 | 0.31 | 5/16-24 | 0.202 | 0.70           |
|           | 1 3/16         | SG219EL▲    |        |                    |         |        |       |      |         |       |                |
|           | 1 1/4          | SG2E20EL▲   |        |                    |         |        |       |      |         |       |                |
| 207       | 1 1/4          | SG220EL▲    | 2.8346 | 0.7480             | 1 9/16  | 0.4540 | 1.847 | 0.34 | 5/16-24 | 0.239 | 1.10           |
|           | 1 3/8          | SG222EL▲    |        |                    |         |        |       |      |         |       |                |
|           | 1 7/16         | SG223EL▲    |        |                    |         |        |       |      |         |       |                |
| 208       | 1 1/2          | SG224EL▲    | 3.1496 | 0.8661             | 1 21/32 | 0.4850 | 2.084 | 0.34 | 5/16-24 | 0.253 | 1.40           |
|           | 1 5/8          | SG226EL▲    |        |                    |         |        |       |      |         |       |                |
| 209       | 1 11/16        | SG227EL▲    | 3.3465 | 0.8661             | 1 49/64 | 0.5320 | 2.281 | 0.36 | 5/16-24 | 0.254 | 1.65           |
|           | 1 3/4          | SG228EL▲    |        |                    |         |        |       |      |         |       |                |
| 210       | 1 15/16        | SG231EL▲    | 3.5433 | 0.8661             | 1 13/16 | 0.5320 | 2.478 | 0.38 | 3/8-24  | 0.268 | 1.70           |

### Additional Notes

- Please call 1-866-REXNORD for availability
- Dimension "r", max fillet radius of housing to clear bearing corner
- Bearing O.D. tolerance for size code 208 and below, +.0000 in/-.0005 in (+0.000 mm/-0.013 mm); for all other size codes, +.0000 in/-.0006 in (+0.000 mm/-0.015 mm)
- ▲ E lip seals standard
- For the Selection Guide, Load Ratings and Speed Limits, see the Link-Belt 200 Series Ball Bearing Engineering section
- Note: Dimensions subject to change. Certified dimensions of ordered material furnished on request.



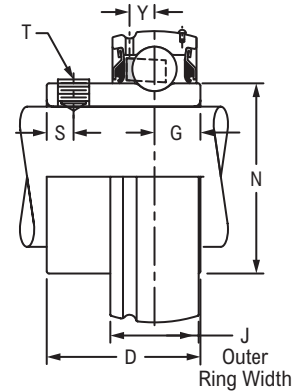
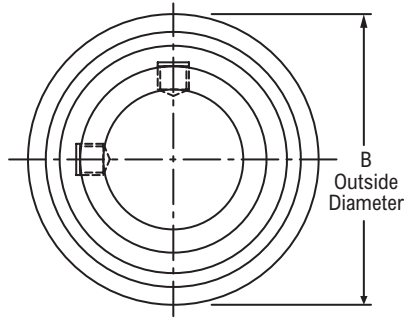
# SG200ELPA



Photo Shows an Unmounted Ball Bearing Unit

## Product Features

- Broad range of sealing options
- Spring locking setscrew mount
- Sealed & relubricatable
- Spherical O.D.
- See Features & Benefits for additional info.



## Bearing Dimensions

| Size Code | Shaft Diameter | Part Number | B O.D.  | J Outer Ring Width | D       | G       | N      | S    | T       | Y     | Approx. Weight |
|-----------|----------------|-------------|---------|--------------------|---------|---------|--------|------|---------|-------|----------------|
| 203       | 1/2            | SG2B08ELPA  | 1.5748  | 0.5118             | 63/64   | 0.3440  | 0.941  | 0.19 | #10-32  | 0.158 | 0.25           |
|           | 5/8            | SG210ELPA   |         |                    |         |         |        |      |         |       | 0.21           |
|           | 11/16          | SG211ELPA   |         |                    |         |         |        |      |         |       | 0.19           |
| 204       | 3/4            | SG212ELPA   | 1.8504  | 0.5906             | 1 1/8   | 0.3760  | 1.121  | 0.23 | 1/4-28  | 0.176 | 0.32           |
|           | 20.00          | SG2M20ELPA  | 47.0000 | 15.0000            | 28.58   | 9.5500  | 28.470 | 5.80 | M6X1    | 4.470 | 0.10           |
| 205       | 7/8            | SG214ELPA   | 2.0472  | 0.5906             | 1 11/64 | 0.3760  | 1.313  | 0.25 | 1/4-28  | 0.176 | 0.43           |
|           | 15/16          | SG215ELPA   |         |                    |         |         |        |      |         |       | 0.40           |
|           | 1              | SG26ELPA    |         |                    |         |         |        |      |         |       | 0.37           |
|           | 25.00          | SG2M25ELPA  | 52.0000 | 15.0000            | 29.77   | 9.5500  | 33.350 | 6.40 | M6X1    | 4.470 | 0.20           |
| 206       | 1 1/8          | SG218ELPA   | 2.4409  | 0.7087             | 1 11/32 | 0.3920  | 1.587  | 0.31 | 5/16-24 | 0.202 | 0.63           |
|           | 1 3/16         | SG219ELPA   |         |                    |         |         |        |      |         |       | 0.60           |
|           | 1 1/4          | SG2E20ELPA  |         |                    |         |         |        |      |         |       | 0.57           |
|           | 30.00          | SG2M30ELPA  | 62.0000 | 18.0000            | 34.14   | 9.9600  | 40.310 | 7.90 | M8X1.25 | 5.130 | 0.30           |
| 207       | 1 1/4          | SG220ELPA   | 2.8346  | 0.7480             | 1 9/16  | 0.4540  | 1.847  | 0.34 | 5/16-24 | 0.227 | 1.02           |
|           | 1 3/8          | SG222ELPA   |         |                    |         |         |        |      |         |       | 0.92           |
|           | 1 7/16         | SG223ELPA   |         |                    |         |         |        |      |         |       | 0.86           |
|           | 35.00          | SG2M35ELPA  | 72.0000 | 19.0000            | 39.67   | 11.5300 | 46.910 | 8.60 | M8X1.25 | 5.770 | 0.40           |
| 208       | 1 1/2          | SG224ELPA   | 3.1496  | 0.8661             | 1 21/32 | 0.4850  | 2.083  | 0.34 | 5/16-24 | 0.263 | 1.27           |
|           | 1 5/8          | SG2E26ELPA  |         |                    |         |         |        |      |         |       | 1.20           |
|           | 40.00          | SG2M40ELPA  |         |                    |         |         |        |      |         |       | 80.0000        |
| 209       | 1 5/8          | SG226ELPA   | 3.3465  | 0.8661             | 1 49/64 | 0.5320  | 2.281  | 0.36 | 5/16-24 | 0.256 | 1.50           |
|           | 1 11/16        | SG227ELPA   |         |                    |         |         |        |      |         |       | 1.43           |
|           | 1 3/4          | SG228ELPA   |         |                    |         |         |        |      |         |       | 1.36           |
| 210       | 1 7/8          | SG230ELPA   | 3.5433  | 0.8661             | 1 13/16 | 0.5320  | 2.475  | 0.38 | 3/8-24  | 0.256 | 1.57           |
|           | 1 15/16        | SG231ELPA   |         |                    |         |         |        |      |         |       | 1.48           |
|           | 2              | SG2E32ELPA  |         |                    |         |         |        |      |         |       | 1.39           |
| 211       | 2              | SG232ELPA   | 3.9370  | 0.9843             | 1 13/16 | 0.5370  | 2.749  | 0.38 | 3/8-24  | 0.298 | 2.27           |
|           | 2 3/16         | SG235ELPA   |         |                    |         |         |        |      |         |       | 1.97           |
|           | 2 1/4          | SG2E36ELPA  |         |                    |         |         |        |      |         |       | 1.87           |
| 212       | 2 1/4          | SG236ELPA   | 4.3307  | 1.0630             | 1 57/64 | 0.5780  | 3.012  | 0.38 | 3/8-24  | 0.330 | 2.85           |
|           | 2 3/8          | SG238ELPA   |         |                    |         |         |        |      |         |       | 2.61           |
|           | 2 7/16         | SG239ELPA   |         |                    |         |         |        |      |         |       | 2.49           |
| 215       | 2 15/16        | SG247ELPA   | 5.1181  | 1.1835             | 2 17/64 | 0.8040  | 3.632  | 0.37 | 3/8-24  | 0.266 | 3.96           |

## Additional Notes

- Please call 1-866-REXNORD for availability
- Bearing O.D. tolerance for size code 203 thru 208, +.0000 in/-0.0005 in (+0.000 mm/-0.013 mm); for all other size codes, +.0000 in/-0.0006 in (+0.000 mm/-0.015 mm)
- Lip seals standard
- ◆ Available with E1 viton seals for all size codes
  - Available with free running style seals, add suffix ● FF, □ HFF or Δ MHFF for all size codes
- For the Selection Guide, Load Ratings and Speed Limits, see the Link-Belt Ball Bearing Engineering section

Note: Dimensions subject to change. Certified dimensions of ordered material furnished on request.

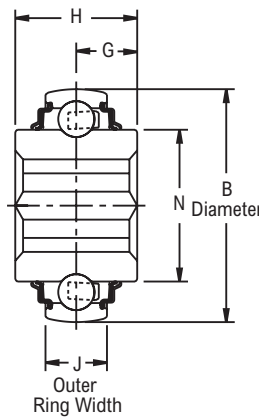
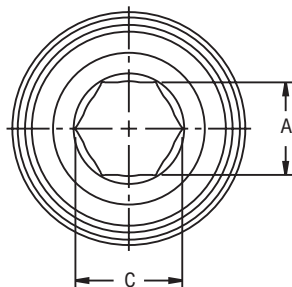
## Hex



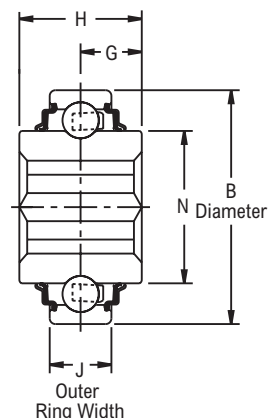
Photo Shows an Unmounted Hex Bore Ball Bearing Unit

### Product Features

- Spherical or Cylindrical O.D.
- Sealed & non-relubricatable
- See Features & Benefits for additional info.



Spherical



Cylindrical

### Bearing Dimensions

| Size Code          | Shaft Diameter | Part Number  | Industry Number | B O.D. | J Outer Ring Width | A     | C     | G     | H      | N     | Approx. Weight |
|--------------------|----------------|--------------|-----------------|--------|--------------------|-------|-------|-------|--------|-------|----------------|
| <b>Cylindrical</b> |                |              |                 |        |                    |       |       |       |        |       |                |
| 204                | 5/8            | 10KB204N*    | 204KRR4         | 1.8504 | 0.5512             | 0.626 | 0.728 | 0.412 | 0.8250 | 1.121 | 0.30           |
|                    | 11/16          | 11KB204N*    | 204KRR2         |        |                    | 0.695 | 0.797 |       |        |       |                |
| 205                | 7/8            | 14KB205N*Δ   | 205KRR2         | 2.0472 | 0.5906             | 0.876 | 1.010 | 0.500 | 1.0000 | 1.313 | 0.40           |
| 206                | 1              | 16KB206N*    | 206KRR6         | 2.4409 | 0.6299             | 1.001 | 1.153 | 0.472 | 0.9449 | 1.587 | 0.60           |
| 207                | 1 1/8          | 18KB207N*Δ   | 207KRR9         | 2.8346 | 0.6693             | 1.126 | 1.299 | 0.742 | 1.4844 | 1.847 | 1.10           |
| 209                | 1 1/2          | 24KB209N*Δ   | 209KRR2         | 3.3465 | 0.7480             | 1.501 | 1.732 | 0.591 | 1.1811 | 2.281 | 1.40           |
| 210                | 1 5/8          | 26KB3210E3 Δ | W210PP7         | 3.5433 | 1.1875             | 1.626 | 1.876 | 0.594 | 1.1875 | 2.475 | 1.60           |
| <b>Spherical</b>   |                |              |                 |        |                    |       |       |       |        |       |                |
| 204                | 11/16          | 11K204N*     | 204KRRB2        | 1.8504 | 0.5906             | 0.695 | 0.797 | 0.412 | 0.8250 | 1.121 | 0.30           |
| 205                | 7/8            | 14K205N*Δ    | 205KRRB2        | 2.0472 | 0.5906             | 0.876 | 1.010 | 0.500 | 1.0000 | 1.313 | 0.40           |
| 206                | 1              | 16K206N*     | 206KRRB6        | 2.4409 | 0.7087             | 1.001 | 1.153 | 0.472 | 0.9449 | 1.587 | 0.60           |
| 207                | 1 1/8          | 18K207N*Δ    | 207KRRB9        | 2.8346 | 0.7480             | 1.126 | 1.299 | 0.742 | 1.4844 | 1.847 | 1.10           |
| 208                | 1 1/4          | 20K5208E3 Δ  | W208PPB16       | 3.1496 | 0.7087             | 1.251 | 1.450 | 0.718 | 1.4375 | 2.083 | 1.20           |
| 209                | 1 1/2          | 24K209N*Δ    | 209KRRB2        | 3.3465 | 0.8661             | 1.501 | 1.732 | 0.591 | 1.1811 | 2.281 | 1.40           |
| 210                | 1 5/8          | 26K3210E3 Δ  | W210PPB7        | 3.5433 | 1.1875             | 1.626 | 1.876 | 0.594 | 1.1875 | 2.475 | 1.60           |

### Additional Notes

- Please call 1-866-REXNORD for availability
- Δ E3 triple lip seals are standard for size codes 208 & 210
- On size codes 205, 207 & 209, Δ available with E3 triple lip seals
- For the Selection Guide, Load Ratings and Speed Limits, see the Link-Belt 200 Series Ball Bearing Engineering section
- Note: Dimensions subject to change. Certified dimensions of ordered material furnished on request.

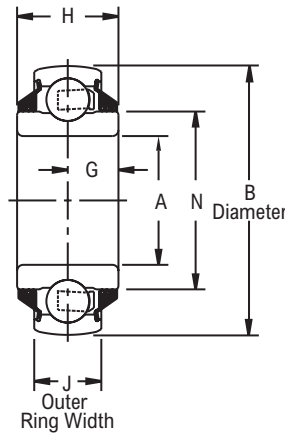
Round



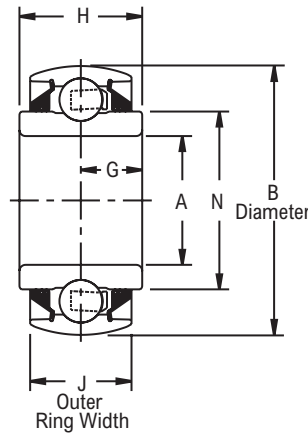
Photo Shows an Unmounted Square Bore Ball Bearing Unit

Product Features

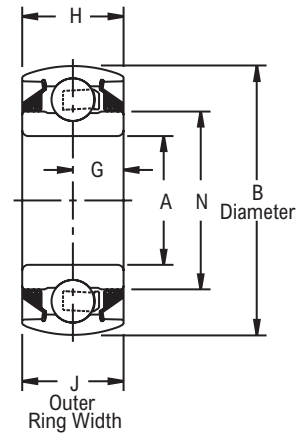
- Spherical or Cylindrical O.D.
- Triple lip seals
- Optional relubrication feature
- See Features & Benefits for additional info.



Style 1



Style 2



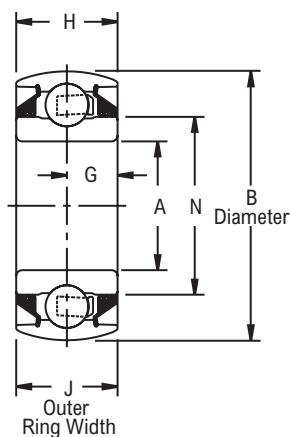
Style 3

\*Note: Drawing represents spherical O.D. bearing

Bearing Dimensions

| Size Code                 | Shaft Diameter | Part Number  | Industry Number | Style | B O.D.  | J Outer Ring Width | A       | G      | H       | N      | Y      | Approx. Weight |        |        |        |        |      |
|---------------------------|----------------|--------------|-----------------|-------|---------|--------------------|---------|--------|---------|--------|--------|----------------|--------|--------|--------|--------|------|
| <b>Non-relubricatable</b> |                |              |                 |       |         |                    |         |        |         |        |        |                |        |        |        |        |      |
| <b>Cylindrical</b>        |                |              |                 |       |         |                    |         |        |         |        |        |                |        |        |        |        |      |
| 208                       | 1 3/16         | 19RB208E3 Δ  | W208PP7         | 1     | 3.1496  | 0.7087             | 1.1880  | 0.594  | 1.1875  | 2.083  | -      | 1.30           |        |        |        |        |      |
|                           |                | 19RB3208E3 Δ | W208PP4         | 3     |         |                    |         |        |         |        |        |                |        |        |        |        |      |
|                           | 1 1/2          | 24RB6208E3 Δ | W208PP2         | 2     |         |                    |         |        |         |        |        |                | 1.1875 | 1.5005 | 0.844  | 1.6875 | 1.50 |
|                           |                | 24RB8208E3 Δ | W208PP10        | 1     |         |                    |         |        |         |        |        |                | 0.8268 |        |        |        |      |
| 210                       | 1 15/16        | 31RB3210E3 Δ | W210PP2         | 3     | 3.5433  | 1.1875             | 1.9380  | 0.594  | 1.1875  | 2.475  | -      | 1.50           |        |        |        |        |      |
| 211                       | 2 3/16         | 35RB3211E3 Δ | W211PP2         | 3     | 3.9370  | 1.3125             | 2.1880  | 0.656  | 1.3125  | 2.749  | -      | 2.25           |        |        |        |        |      |
| <b>Spherical</b>          |                |              |                 |       |         |                    |         |        |         |        |        |                |        |        |        |        |      |
| 208                       | 7/8            | 14R4208E3 Δ  | W208PPB14       | 2     | 3.4380  | 1.1875             | 0.8900  | 0.719  | 1.4375  | 2.083  | -      | 1.30           |        |        |        |        |      |
|                           | 1 3/16         | 19R208E3 Δ   | W208PPB7        | 1     | 3.1496  | 0.7087             | 1.1880  | 0.594  | 1.1875  |        |        |                |        |        |        |        |      |
|                           |                | 19R3208E3 Δ  | W208PPB4        | 3     |         |                    |         |        |         |        |        |                | 1.1875 |        |        |        |      |
|                           | 1 1/2          | 24R6208E3 Δ  | W208PPB2        | 2     |         |                    |         |        |         |        |        |                | 1.5005 | 0.844  | 1.6875 | 1.50   |      |
| 209                       | 1 1/2          | 24R3209E3 Δ  | W209PPB4        | 3     |         |                    |         |        |         | 3.3465 | 1.1875 | 1.5350         | 0.594  | 1.1875 | 2.281  | -      | 1.50 |
|                           |                | 24R4209E3 Δ  | W209PPB6        | 2     | 3.4380  | 0.719              | 1.4375  |        |         |        |        |                |        |        |        |        |      |
|                           | 45.00          | R3209E3 Δ    | W209PPB2        | 3     | 85.0000 | 30.1620            | 45.0000 | 15.080 | 30.1620 | 57.940 | 0.60   |                |        |        |        |        |      |
| 210                       | 1 3/4          | 28R3210E3 Δ  | W210PPB5        | 3     | 3.5433  | 1.1875             | 1.7850  | 0.594  | 1.1875  | 2.475  | -      | 1.60           |        |        |        |        |      |
|                           | 1 15/16        | 31R3210E3 Δ  | W210PPB2        |       |         |                    | 1.9380  |        |         |        |        | 1.50           |        |        |        |        |      |
| 211                       | 2 3/16         | 35R3211E3 Δ  | W211PPB2        | 3     | 3.9370  | 1.3125             | 2.1880  | 0.656  | 1.3125  | 2.749  | -      | 2.25           |        |        |        |        |      |

Continued...



Style 3

Continued...

\*Note: Drawing represents spherical O.D. bearing

**Bearing Dimensions**

| Size Code             | Shaft Diameter | Part Number   | Industry Number | Style | B O.D.  | J Outer Ring Width | A       | G     | H      | N     | Y     | Approx. Weight |
|-----------------------|----------------|---------------|-----------------|-------|---------|--------------------|---------|-------|--------|-------|-------|----------------|
| <b>Relubricatable</b> |                |               |                 |       |         |                    |         |       |        |       |       |                |
| <b>Cylindrical</b>    |                |               |                 |       |         |                    |         |       |        |       |       |                |
| 210                   | 1 3/8          | 22RBG3210E3 Δ | GW210PP3        | 3     | 3.5433  | 1.1875             | 1.4065  | 0.594 | 1.1875 | 2.475 | 0.255 | 1.40           |
|                       | 1 15/16        | 31RBG3210E3 Δ | GW210PP2        |       |         |                    | 1.9380  |       |        |       |       | 1.50           |
| 211                   | 1 5/8          | 26RBG3211E3 Δ | GW211PP4        | 3     | 3.9370  | 1.3125             | 1.6600  | 0.656 | 1.3125 | 2.749 | 0.267 | 1.60           |
|                       | 2 3/16         | 35RBG3211E3 Δ | GW211PP2        |       |         |                    | 2.1880  |       |        |       |       | 2.25           |
| <b>Spherical</b>      |                |               |                 |       |         |                    |         |       |        |       |       |                |
| 209                   | 1 1/2          | 24RG3209E3 Δ  | GW209PPB4       | 3     | 3.3465  | 1.1875             | 1.5350  | 0.594 | 1.1875 | 2.281 | 0.248 | 1.50           |
|                       | 45.00          | RG3209E3 Δ    | GW209PPB2       |       | 85.0000 |                    | 30.1620 |       |        |       |       | 45.0000        |
| 210                   | 1 3/8          | 22RG3210E3 Δ  | GW210PPB3       | 3     | 3.5433  | 1.1875             | 1.4065  | 0.594 | 1.1875 | 2.475 | 0.255 | 1.40           |
|                       | 1 3/4          | 28RG3210E3 Δ  | GW210PPB5       |       |         |                    | 1.7850  |       |        |       |       | 1.60           |
|                       | 1 15/16        | 31RG3210E3 Δ  | GW210PPB2       |       |         |                    | 1.9380  |       |        |       |       | 1.50           |
| 211                   | 1 5/8          | 26RG3211E3 Δ  | GW211PPB4       | 3     | 3.9370  | 1.3125             | 1.6600  | 0.656 | 1.3125 | 2.749 | 0.267 | 1.60           |
|                       | 2 3/16         | 35RG3211E3 Δ  | GW211PPB2       |       |         |                    | 2.1880  |       |        |       |       | 2.25           |

**Additional Notes**

Please call 1-866-REXNORD for availability  
 Unground spherical O.D. tolerance, +/- .005 in (+/- 0.13 mm).

Center portion of O.D. is cylindrical

Δ E3 triple lip seals standard

For the Selection Guide, Load Ratings and Speed Limits, see the Link-Belt 200 Series

Ball Bearing Engineering section

Note: Dimensions subject to change. Certified dimensions of ordered material furnished on request.

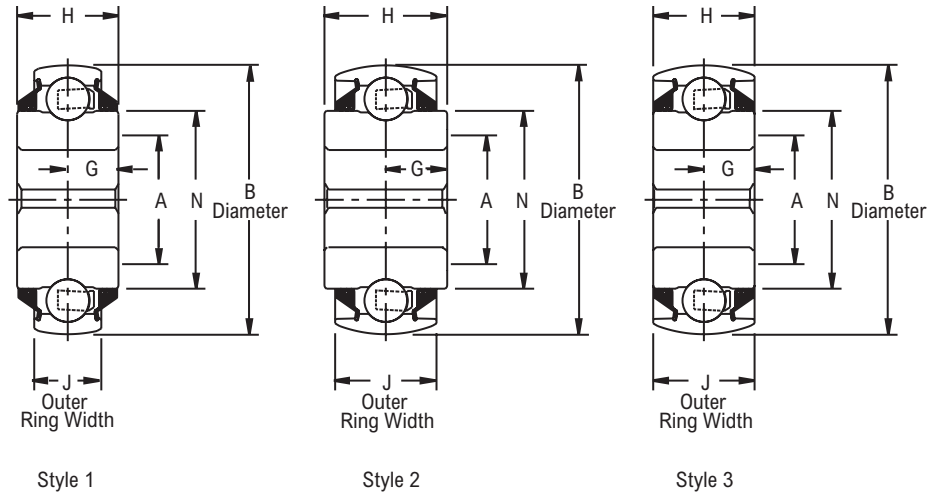
# Square



Photo Shows an Unmounted Square Bore Ball Bearing Unit

## Product Features

- Spherical or Cylindrical O.D.
- Triple lip seals
- Optional relubrication feature
- See Features & Benefits for additional info.

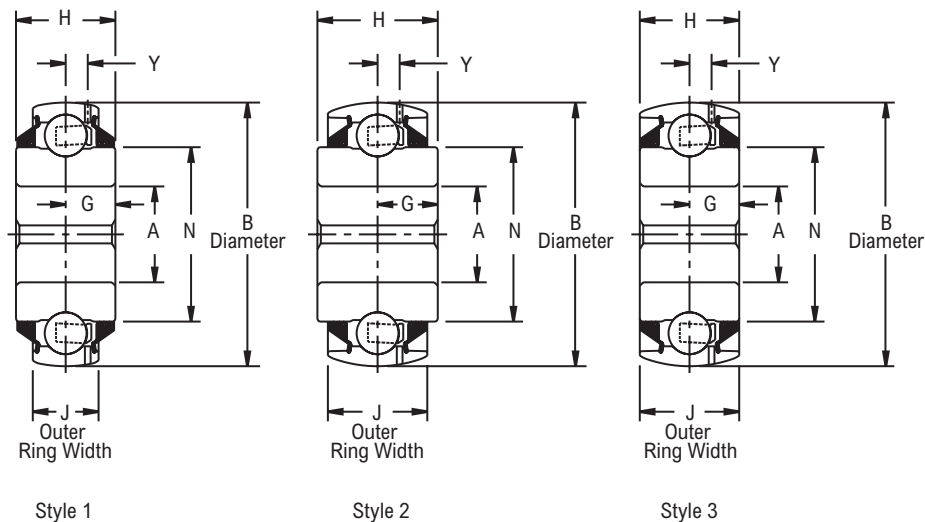


\*Note: Drawing represents spherical O.D. bearing

## Bearing Dimensions

| Size Code                 | Shaft Diameter | Part Number  | Industry Number | Style  | B O.D. | J Outer Ring Width | A      | G      | H     | N      | Y     | Approx. Weight |      |
|---------------------------|----------------|--------------|-----------------|--------|--------|--------------------|--------|--------|-------|--------|-------|----------------|------|
| <b>Non-relubricatable</b> |                |              |                 |        |        |                    |        |        |       |        |       |                |      |
| <b>Cylindrical</b>        |                |              |                 |        |        |                    |        |        |       |        |       |                |      |
| 208                       | 7/8            | 14SB5208E3 Δ | W208PP13        | 1      | 3.1496 |                    | 0.7087 | 0.9050 | 0.719 | 1.4375 | 2.083 | -              | 1.50 |
|                           |                | 16SB2208E3 Δ | W208PP9         | 2      |        |                    | 1.1875 |        |       |        |       |                |      |
|                           | 16SB5208E3 Δ   | W208PP6      | 1               | 0.7087 |        |                    | 1.0300 |        |       |        |       |                | 1.50 |
|                           | 18SB22E08E3 Δ  | W208PP8      | 2               | 1.1875 |        |                    |        |        |       |        |       |                |      |
|                           | 18SB52E08E3 Δ  | W208PP5      | 1               | 0.7087 |        |                    | 1.1850 |        |       |        |       |                |      |
| 211                       | 1 1/2          | 24SB3211E3 Δ | W211PP3         | 3      | 3.9370 |                    | 1.3125 | 1.5300 | 0.656 | 1.3125 | 2.749 | -              | 2.40 |
| <b>Spherical</b>          |                |              |                 |        |        |                    |        |        |       |        |       |                |      |
| 208                       | 7/8            | 14S4208E3 Δ  | W208PPB11       | 2      | 3.4380 |                    | 0.7087 | 0.9050 | 0.719 | 1.4375 | 2.083 | -              | 1.50 |
|                           |                | 16S2208E3 Δ  | W208PPB9        |        |        |                    | 1.1875 |        |       |        |       |                |      |
|                           | 16S5208E3 Δ    | W208PPB6     | 1               | 0.7087 | 1.0300 | 1.50               |        |        |       |        |       |                |      |
|                           | 18S22E08E3 Δ   | W208PPB8     | 2               | 1.1875 |        |                    |        |        |       |        |       |                |      |
|                           | 18S42E08E3 Δ   | W208PPB12    |                 | 3.4380 | 1.1850 |                    |        |        |       |        |       |                |      |
|                           | 18S52E08E3 Δ   | W208PPB5     | 1               | 3.1496 | 0.7087 |                    |        |        |       |        |       |                |      |
| 209                       | 1 1/4          | 20S2209E3 Δ  | W209PPB5        | 2      | 3.3465 |                    | 1.1875 | 1.2800 | 0.719 | 1.4375 | 2.281 | -              | 1.85 |
|                           | 20S4209E3 Δ    | W209PPB7     | 3.4380          |        |        |                    |        |        |       |        |       |                |      |
| 211                       | 1 1/2          | 24S3211E3 Δ  | W211PPB3        | 3      | 3.9370 |                    | 1.3125 | 1.5300 | 0.656 | 1.3125 | 2.749 | -              | 2.40 |

Continued...



Continued...

\*Note: Drawing represents spherical O.D. bearing

**Bearing Dimensions**

| Size Code             | Shaft Diameter | Part Number   | Industry Number | Style | B O.D. | J Outer Ring Width | A      | G     | H      | N     | Y     | Approx. Weight |
|-----------------------|----------------|---------------|-----------------|-------|--------|--------------------|--------|-------|--------|-------|-------|----------------|
| <b>Relubricatable</b> |                |               |                 |       |        |                    |        |       |        |       |       |                |
| <b>Cylindrical</b>    |                |               |                 |       |        |                    |        |       |        |       |       |                |
| 209                   | 1 1/4          | 20SBG5209E3 Δ | GW209PP8        | 1     | 3.3465 | 0.8661             | 1.2800 | 0.719 | 1.4375 | 2.281 | 0.254 | 1.85           |
| 211                   | 1 1/2          | 24SBG3211E3 Δ | GW211PP3        | 3     | 3.9370 | 1.3125             | 1.5300 | 0.656 | 1.3125 | 2.749 | 0.267 | 2.40           |
| <b>Spherical</b>      |                |               |                 |       |        |                    |        |       |        |       |       |                |
| 208                   | 1              | 16SG5208E3 Δ  | GW208PPB6       | 1     | 3.1496 | 0.8661             | 1.0300 | 0.719 | 1.4375 | 2.083 | 0.253 | 1.70           |
|                       | 1 1/8          | 18SG22E08E3 Δ | GW208PPB8       | 2     |        | 1.1875             | 1.50   |       |        |       |       |                |
|                       |                | 18SG52E08E3 Δ | GW208PPB5       | 1     |        | 0.8661             | 1.1850 |       |        |       |       |                |
| 209                   | 1 1/4          | 20SG5209E3 Δ  | GW209PPB8       | 1     | 3.3465 | 0.8661             | 1.2800 | 0.719 | 1.4375 | 2.281 | 0.254 | 1.85           |
| 211                   | 1 1/2          | 24SG3211E3 Δ  | GW211PPB3       | 3     | 3.9370 | 1.3125             | 1.5300 | 0.656 | 1.3125 | 2.749 | 0.267 | 2.40           |

**Additional Notes**

Please call 1-866-REXNORD for availability  
 Unground spherical O.D. tolerance, +/- .005 in (+/- 0.13 mm).  
 Center portion of O.D. is cylindrical  
 Δ E3 triple lip seals standard  
 Selection Guide, see Link-Belt Ball Bearing Selection Guide section  
 Load Ratings & Speed Limits, see Link-Belt Ball Bearing Load Ratings & Speed Limits section

Note: Dimensions subject to change. Certified dimensions of ordered material furnished on request.



**Industries Served**  
Aggregates  
Air Handling  
Forestry  
Mining  
Steel  
Package Handling

## Series 300 Heavy Duty Ball Bearing Units

Series 300 wide inner ring ball bearing units are designed for heavy duty applications requiring high capacity and/or high speed in a compact footprint. Manufactured from quality alloy bearing steel to precision tolerances, these bearings are used extensively on general industrial equipment, high speed fans and blowers and heavier duty power transmission and material handling equipment.

### Super-finished Raceways

- Provides a cool running, quiet, high-speed and high-load capacity bearing

### Spyglass Optical Strain Sensor (OSS)

- Provides instant feedback for optimal shaft grip
- Eliminates damage to the shaft and bearing because of improper tightness on the mounting.
- Quick installation: Simply tighten collar until the Spyglass shows a back-to-color pattern.

### Seal Choice

- Choice of steel-clad molded type H clearance seal or type N double lip seal.

### Wide Inner Ring

- Wide inner ring is for greater contact surface between shaft and bearing.

### Prelubricated and Relubricatable

### Positive Locking System

- Minimizes vibration; does not require mounting inspections

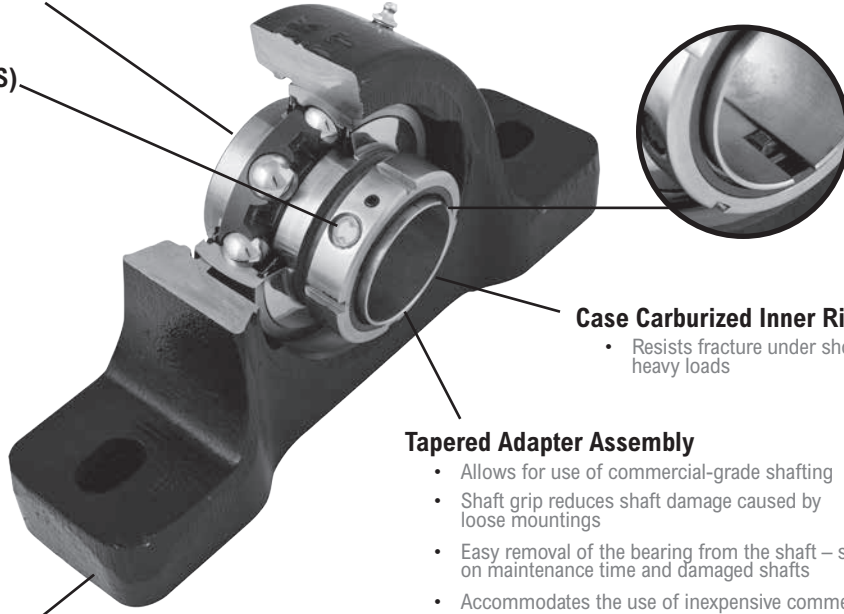
### Case Carburized Inner Ring

- Resists fracture under shock and heavy loads

### Tapered Adapter Assembly

- Allows for use of commercial-grade shafting
- Shaft grip reduces shaft damage caused by loose mountings
- Easy removal of the bearing from the shaft – saves on maintenance time and damaged shafts
- Accommodates the use of inexpensive commercial grade shafting

### Rugged One-piece Housing



### Heavy Duty Ball Bearings

Heavy series precision alignable ball bearings of deep groove construction with larger balls and thicker rings for high capacity and longer life. The extra inner ring width furnishes ultimate shaft and load support and concentricity for high speed precision application.

The spring locking collar design provides a secure grip of the wide inner ring bearing to the shaft. The two set screws extend through the inner ring of the bearing and lock firmly into the shaft. Tightening the two set screws produces elastic strain in the spring locking collar resulting in a continuous pressure on the shaft.

The eccentric cam locking collar design provides a secure grip of the wide inner ring bearing to the shaft and further tightens with bearing rotation. The adapter mount design provides better concentricity and shaft control, increasing service life. The adapter mount allows for easy installation/removal and enables the use of commercial grade shafting.

Furnished with anti-rotation pin in the outer ring to prevent the outer ring from spinning in the bearing housing.

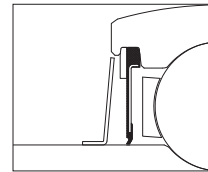
### One-piece Cast Iron Housings

Compact, one-piece cast iron housings provide strength with minimum size and weight, and excellent rigidity. All housings are designed with standard mounting dimensions and have finished mounting surfaces for proper installation stability. Pillow blocks have slotted bolt holes with ample space provided for drilling dowel pin holes and are also available with high backing dimensions. Flanged and flanged cartridge units have drilled mounting holes. Take up units have machined slots for accurate adjustment.

## Bearing Mounted Molded Rubber Seal

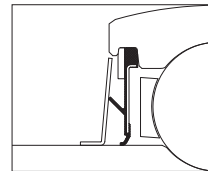
### Type H Seal

These molded rubber seals effectively retain lubricant and protect against contamination. An external seal guard enhances protection against contamination and protects the molded rubber seal. A snap ring locates and retains the molded rubber seal in the outer ring to ensure proper operation. This is an excellent non-contact seal for grease lubrication.



### Type N Seal

These molded rubber double lip seals have two full land riding lips that effectively retain lubricant and protect against contamination. These seals ride on a precision ground surface of the bearing inner ring for smooth operation and tightness.





## 300 Series Nomenclature

| Symbol | Description   | P | E | -U | 3 | K | 27 | J | N | C | 17H | 4 |
|--------|---|---|---|----|---|---|----|---|---|---|-----|---|
| C      | Cartridge unit  |   |   |    |   |   |    |   |   |   |     |   |
| F      | Flanged unit, 4-bolt square                                       |   |   |    |   |   |    |   |   |   |     |   |
| FC     | Flanged cartridge unit, 4-bolt round                              |   |   |    |   |   |    |   |   |   |     |   |
| P      | Pillow block, standard backing                                    |   |   |    |   |   |    |   |   |   |     |   |
| PL     | Pillow block, low backing   |   |   |    |   |   |    |   |   |   |     |   |
| P2     | Pillow block, high backing  |   |   |    |   |   |    |   |   |   |     |   |
| T      | Take-up, slotted guides   |   |   |    |   |   |    |   |   |   |     |   |
| E      | Expansion unit  |   |   |    |   |   |    |   |   |   |     |   |
| A      | Bearing sealed unit, SHURLOK adapter, relubricatable              |   |   |    |   |   |    |   |   |   |     |   |
| U      | Bearing sealed unit, spring locking, relubricatable               |   |   |    |   |   |    |   |   |   |     |   |
| Y      | Bearing sealed unit, eccentric cam locking collar, relubricatable |   |   |    |   |   |    |   |   |   |     |   |
| 3      | Series 300 ball bearing designation                               |   |   |    |   |   |    |   |   |   |     |   |
| K      | Adapter mounted   |   |   |    |   |   |    |   |   |   |     |   |
| 27     | Shaft size in sixteenths of an inch                               |   |   |    |   |   |    |   |   |   |     |   |
| J      | Steel retainers   |   |   |    |   |   |    |   |   |   |     |   |
| None   | Steel clad clearance seal   |   |   |    |   |   |    |   |   |   |     |   |
| N      | Molded double lip seals   |   |   |    |   |   |    |   |   |   |     |   |
| C      | Closed end unit   |   |   |    |   |   |    |   |   |   |     |   |
| 17H    | Grease designation  |   |   |    |   |   |    |   |   |   |     |   |
| 4      | Clearance, other than standard                                    |   |   |    |   |   |    |   |   |   |     |   |

## Replacement Ball Bearing Nomenclature

|      |  | UG | 3 | K | 47 | N | L |
|------|--|----|---|---|----|---|---|
| AG   | Wide inner ring, bearing seals, SHURLOK adapter              |    |   |   |    |   |   |
| UG   | Wide inner ring, bearing seals, spring locking collar        |    |   |   |    |   |   |
| YG   | Wide inner ring, bearing seals, eccentric cam locking collar |    |   |   |    |   |   |
| 3    | Series 300 ball bearing designation                          |    |   |   |    |   |   |
| K    | Adapter mounted  |    |   |   |    |   |   |
| 47   | Shaft size in sixteenths of an inch                          |    |   |   |    |   |   |
| None | Steel clad clearance seal                                    |    |   |   |    |   |   |
| N    | Molded double lip seals                                      |    |   |   |    |   |   |
| L1   | Bearing without collar                                       |    |   |   |    |   |   |
| L    | Bearing with collar & setscrews                              |    |   |   |    |   |   |

## Series 300 Ball Bearings Selection Guide

To select a bearing, determine the applied radial load, the applied thrust load, the desired Rating Life, and applicable operating conditions. The procedure shown here will aid in selecting a bearing to meet an L10 design life. The formulas for calculating life expectancy should be used to determine the Rating Life L10 for the bearing selected.

The selection procedures and rating formulas shown here are in agreement with The American Bearing Manufacturers Association Standards and ANSI/ABMA STD 9-1990. Ratings are based on fatigue life. The Rating Life L10 or fatigue life at 90% reliability is the usual basis for bearing selection. To assure a satisfactory bearing application, fitting practice, mounting, lubrication, sealing, static rating, housing strength, operating conditions and maintenance must be considered.

### Steps for Selection

#### Step 1

Determine an appropriate L10 design life.

| Type of service          | Operating time, hours per year | Design life, years | L10 design life, hours |
|--------------------------|--------------------------------|--------------------|------------------------|
| Light seasonal usage     | 500 to 750                     | 3-5                | 3,000                  |
| Heavy seasonal usage     | 1,400 to 1,600                 | 4-6                | 8,000                  |
| Industrial—8 hour shift  | 2,000                          | 10                 | 20,000                 |
| Industrial—16 hour shift | 4,000                          | 10                 | 40,000                 |
| Industrial—Continuous    | 8,700                          | 10                 | 80,000 to 100,000      |

#### Step 2

Determine a required  $\left(\frac{C}{P}\right)$  from Table 1.

#### Step 3

Calculate the required C and select a ball bearing.

a For radial load only:

$$P = F_r$$

$$\text{required } C = \left(\frac{C}{P}\right) P \text{ using } \left(\frac{C}{P}\right) \text{ from Step 2}$$

Select a ball bearing from Table 3 with a basic load rating C equal to or greater than the required C.

b For combined radial and thrust loads when  $\frac{F_a}{F_r}$  is 0.19 or less:

$$P = F_r$$

$$\text{required } C = \left(\frac{C}{P}\right) P \text{ using } \left(\frac{C}{P}\right) \text{ from Step 2}$$

Select a ball bearing from Table 3 with a basic load rating C equal to or greater than the required C.

#### Step 3 (continued)

c For combined radial and thrust loads when  $\frac{F_a}{F_r}$  is greater than 0.19, use the following trial method:

$$\text{Maximum } P = .56F_r + 2.30F_a$$

$$\text{Maximum required } C = \left(\frac{C}{P}\right) P \text{ using } \left(\frac{C}{P}\right) \text{ from Step 2}$$

Select a trial ball bearing with a basic load rating C from Table 3 approximately equal to the maximum required C.

With this trial bearing calculate:  $\frac{F_a}{Nd^2}$

Determine X and Y from Table 2.

Calculate P for the trial bearing.

$$P = XF_r + YF_a$$

$$\text{required } C = \left(\frac{C}{P}\right) P \text{ for the trial bearing using } \left(\frac{C}{P}\right) \text{ from Step 2}$$

Consult Table 3, basic load rating. If a smaller bearing meets or nearly meets the required C, its life expectancy can be calculated.

Note: If the load P is greater than .25C, consult Rexnord Bearing Products.

## Selection

### Symbols for formulas:

C = basic load rating, pounds (or newtons)  
 Co = static load rating, pounds (or newtons)  
 e = a reference value  
 Fa = thrust load, pounds (or newtons)  
 Fr = radial load, pounds (or newtons)  
 L10 = rating life, hours

n = speed, revolutions per minute  
 P = equivalent radial load, pounds (or newtons)  
 X = radial factor  
 Y = thrust factor

## Basic formula

$$\left(\frac{C}{P}\right) = \left(\frac{L_{10} \times n \times 60}{1,000,000}\right)^{1/3}$$

$$L_{10} = \frac{\left(\frac{C}{P}\right)^3 \times 1,000,000}{n \times 60}$$

## Life Expectancy

To calculate the Rating Life L10 of any selected or trial bearing:

**Step 1** Determine the equivalent radial load P.

a For radial load only:  
 $P = Fr$

b For combined radial and thrust load:  
 $P = XF_r + YF_a$  using X and Y from Table 2 below.

**Step 2** Calculate the ratio of basic load rating C to the equivalent radial load.

$$\left(\frac{C}{P}\right)$$

**Step 3** Approximate the bearing life from Table 1.

**Table 2 • X and Y factors for ball bearings**

| Fa<br>Nd <sup>2</sup> | e   | Fa<br>Fr ≤ e |   | Fa<br>Fr > e |      |
|-----------------------|-----|--------------|---|--------------|------|
|                       |     | X            | Y | X            | Y    |
| 25                    | .19 | 1.0          | 0 | .56          | 2.30 |
| 37.5                  | .21 | 1.0          | 0 | .56          | 2.15 |
| 50                    | .22 | 1.0          | 0 | .56          | 1.99 |
| 75                    | .24 | 1.0          | 0 | .56          | 1.85 |
| 100                   | .26 | 1.0          | 0 | .56          | 1.71 |
| 125                   | .27 | 1.0          | 0 | .56          | 1.63 |
| 150                   | .28 | 1.0          | 0 | .56          | 1.56 |
| 200                   | .30 | 1.0          | 0 | .56          | 1.45 |
| 300                   | .34 | 1.0          | 0 | .56          | 1.31 |
| 500                   | .38 | 1.0          | 0 | .56          | 1.15 |
| 750                   | .42 | 1.0          | 0 | .56          | 1.04 |
| 1000                  | .44 | 1.0          | 0 | .56          | 1.00 |

For values between those in the table linear interpolation can be used.

### Life Adjustment

The Rating Life, L10, may be modified for some applications in accordance with the formula

$$L'n = a_1 a_2 a_3 L_{10}$$

where L'n = Adjusted life for (100-n) % reliability,

a1 = Life adjustment factor for reliability

a2 = Life adjustment factor for material and processing

a3 = Life adjustment factor for operating conditions.

For most normal applications, all factors will be taken as 1, and the Rating Life used as the selection basis or life estimate. In addition, as long as standard catalog bearings are used, a2 will be normally set equal to one. The factor a3 covers such things as lubrication, misalignment, and temperature. Some conditions that could yield a3 significantly different than unity include speeds less than 20000 DN or greater than 200000 DN, temperatures below -40°F (-40°C) or above 275°F (135°C). For other possible conditions, as well as additional information on life adjustment factors, consult Rexnord Bearing Products.

**Table 1 • Relation of L10 life and speed to  $\left(\frac{C}{P}\right)$**

| Bearing life, hours L10 | $\left(\frac{C}{P}\right)$ ratio |      |      |      |      |      |      |      |      |  |
|-------------------------|----------------------------------|------|------|------|------|------|------|------|------|--|
|                         | Speed, n                         |      |      |      |      |      |      |      |      |  |
|                         | 50                               | 100  | 200  | 300  | 400  | 500  | 600  | 700  | 800  |  |
| 3000                    | 2.08                             | 2.62 | 3.30 | 3.77 | 4.15 | 4.47 | 4.75 | 5.01 | 5.23 |  |
| 4000                    | 2.29                             | 2.88 | 3.63 | 4.15 | 4.57 | 4.92 | 5.23 | 5.51 | 5.76 |  |
| 5000                    | 2.46                             | 3.10 | 3.91 | 4.47 | 4.92 | 5.30 | 5.64 | 5.93 | 6.20 |  |
| 6000                    | 2.62                             | 3.30 | 4.15 | 4.75 | 5.23 | 5.64 | 5.99 | 6.30 | 6.59 |  |
| 8000                    | 2.88                             | 3.63 | 4.57 | 5.23 | 5.76 | 6.20 | 6.59 | 6.94 | 7.25 |  |
| 10000                   | 3.10                             | 3.91 | 4.92 | 5.64 | 6.20 | 6.68 | 7.10 | 7.47 | 7.81 |  |
| 12000                   | 3.30                             | 4.15 | 5.23 | 5.99 | 6.59 | 7.10 | 7.54 | 7.94 | 8.30 |  |
| 14000                   | 3.47                             | 4.37 | 5.51 | 6.30 | 6.94 | 7.47 | 7.94 | 8.36 | 8.74 |  |
| 16000                   | 3.63                             | 4.57 | 5.76 | 6.59 | 7.25 | 7.81 | 8.30 | 8.74 | 9.14 |  |
| 18000                   | 3.77                             | 4.75 | 5.99 | 6.86 | 7.54 | 8.13 | 8.63 | 9.09 | 9.50 |  |
| 20000                   | 3.91                             | 4.92 | 6.20 | 7.10 | 7.81 | 8.42 | 8.94 | 9.41 | 9.84 |  |
| 25000                   | 4.21                             | 5.30 | 6.68 | 7.65 | 8.42 | 9.07 | 9.63 | 10.1 | 10.6 |  |
| 30000                   | 4.47                             | 5.64 | 7.10 | 8.13 | 8.94 | 9.63 | 10.2 | 10.8 | 11.3 |  |
| 35000                   | 4.71                             | 5.93 | 7.47 | 8.55 | 9.41 | 10.1 | 10.8 | 11.3 | 11.9 |  |
| 40000                   | 4.92                             | 6.20 | 7.81 | 8.94 | 9.84 | 10.6 | 11.3 | 11.9 | 12.4 |  |
| 45000                   | 5.12                             | 6.45 | 8.13 | 9.30 | 10.2 | 11.0 | 11.7 | 12.3 | 12.9 |  |
| 50000                   | 5.30                             | 6.68 | 8.42 | 9.63 | 10.6 | 11.4 | 12.1 | 12.8 | 13.4 |  |
| 60000                   | 5.64                             | 7.10 | 8.94 | 10.2 | 11.3 | 12.1 | 12.9 | 13.6 | 14.2 |  |
| 70000                   | 5.93                             | 7.47 | 9.41 | 10.8 | 11.9 | 12.8 | 13.6 | 14.3 | 14.9 |  |
| 80000                   | 6.20                             | 7.81 | 9.84 | 11.3 | 12.4 | 13.4 | 14.2 | 14.9 | 15.6 |  |
| 90000                   | 6.45                             | 8.13 | 10.2 | 11.7 | 12.9 | 13.9 | 14.8 | 15.5 | 16.2 |  |
| 100000                  | 6.68                             | 8.42 | 10.6 | 12.1 | 13.4 | 14.4 | 15.3 | 16.1 | 16.8 |  |
| 150000                  | 7.65                             | 9.63 | 12.1 | 13.9 | 15.3 | 16.5 | 17.5 | 18.4 | 19.3 |  |
| 200000                  | 8.42                             | 10.6 | 13.4 | 15.3 | 16.8 | 18.1 | 19.3 | 20.3 | 21.2 |  |

|        | Speed, n |      |      |      |      |      |      |      |       |  |
|--------|----------|------|------|------|------|------|------|------|-------|--|
|        | 900      | 1000 | 1200 | 1500 | 1800 | 2400 | 3600 | 6000 | 10000 |  |
| 3000   | 5.44     | 5.64 | 5.99 | 6.45 | 6.86 | 7.54 | 8.63 | 10.2 | 12.1  |  |
| 4000   | 5.99     | 6.20 | 6.59 | 7.10 | 7.54 | 8.30 | 9.50 | 11.3 | 13.4  |  |
| 5000   | 6.45     | 6.68 | 7.10 | 7.65 | 8.13 | 8.94 | 10.2 | 12.1 | 14.4  |  |
| 6000   | 6.86     | 7.10 | 7.54 | 8.13 | 8.63 | 9.50 | 10.9 | 12.9 | 15.3  |  |
| 8000   | 7.54     | 7.81 | 8.30 | 8.94 | 9.50 | 10.5 | 12.0 | 14.2 | 16.8  |  |
| 10000  | 8.13     | 8.42 | 8.94 | 9.63 | 10.2 | 11.3 | 12.9 | 15.3 | 18.1  |  |
| 12000  | 8.63     | 8.94 | 9.50 | 10.2 | 10.9 | 12.0 | 13.7 | 16.2 | 19.3  |  |
| 14000  | 9.09     | 9.41 | 10.0 | 10.8 | 11.4 | 12.6 | 14.4 | 17.1 | 20.3  |  |
| 16000  | 9.50     | 9.84 | 10.5 | 11.3 | 12.0 | 13.2 | 15.1 | 17.9 | 21.2  |  |
| 18000  | 9.88     | 10.2 | 10.9 | 11.7 | 12.4 | 13.7 | 15.7 | 18.6 | 22.0  |  |
| 20000  | 10.2     | 10.6 | 11.3 | 12.1 | 12.9 | 14.2 | 16.2 | 19.3 | 22.8  |  |
| 25000  | 11.0     | 11.4 | 12.1 | 13.1 | 13.9 | 15.3 | 17.5 | 20.7 | 24.6  |  |
| 30000  | 11.7     | 12.1 | 12.9 | 13.9 | 14.8 | 16.2 | 18.6 | 22.0 | 26.1  |  |
| 35000  | 12.3     | 12.8 | 13.6 | 14.6 | 15.5 | 17.1 | 19.6 | 23.2 | 27.5  |  |
| 40000  | 12.9     | 13.4 | 14.2 | 15.3 | 16.2 | 17.9 | 20.5 | 24.3 | 28.7  |  |
| 45000  | 13.4     | 13.9 | 14.8 | 15.9 | 16.9 | 18.6 | 21.3 | 25.2 | 29.9  |  |
| 50000  | 13.9     | 14.4 | 15.3 | 16.5 | 17.5 | 19.3 | 22.0 | 26.1 | 31.0  |  |
| 60000  | 14.8     | 15.3 | 16.2 | 17.5 | 18.6 | 20.5 | 23.4 | 27.8 | 32.9  |  |
| 70000  | 15.5     | 16.1 | 17.1 | 18.4 | 19.6 | 21.5 | 24.6 | 29.2 | 34.6  |  |
| 80000  | 16.2     | 16.8 | 17.9 | 19.3 | 20.5 | 22.5 | 25.8 | 30.5 | 36.2  |  |
| 90000  | 16.9     | 17.5 | 18.6 | 20.0 | 21.3 | 23.4 | 26.8 | 31.8 | 37.7  |  |
| 100000 | 17.5     | 18.1 | 19.3 | 20.7 | 22.0 | 24.3 | 27.8 | 32.9 | 39.0  |  |
| 150000 | 20.0     | 20.7 | 22.0 | 23.7 | 25.2 | 27.8 | 31.8 | 37.7 | 44.6  |  |
| 200000 | 22.0     | 22.8 | 24.3 | 26.1 | 27.8 | 30.5 | 35.0 | 41.4 | 49.1  |  |

**Table 3 • Load Ratings, Speed Limits and Ball Data**

| Size Code | Co Static Load Rating |        | C Basic Load Rating A300 |        | C Basic Load Rating Y300, U300 |        | C Basic Load Rating U3K00 |        | Approximate Speed Limit RPM* |         | d Ball Diameter | N Number of Balls | Nd2  |
|-----------|-----------------------|--------|--------------------------|--------|--------------------------------|--------|---------------------------|--------|------------------------------|---------|-----------------|-------------------|------|
|           | newtons               | pounds | newtons                  | pounds | newtons                        | pounds | newtons                   | pounds | Std. Seals                   | N Seals | inches          |                   |      |
| 312       | 7,890                 | 1770   | -                        | -      | 12,370                         | 2780   | -                         | -      | 10950                        | ...     | 3/8             | 7                 | .984 |
| 316       | 10,900                | 2450   | -                        | -      | 16,460                         | 3700   | -                         | -      | 9350                         | ...     | 7/16            | 7                 | 1.34 |
| 319       | 15,700                | 3530   | 28,110                   | 6320   | 21,660                         | 4870   | -                         | -      | 8300                         | 6100    | 31/64           | 8                 | 1.88 |
| 323       | 19,100                | 4290   | 33,320                   | 7490   | 25,620                         | 5760   | -                         | -      | 7550                         | 5400    | 17/32           | 8                 | 2.26 |
| 324       | 24,000                | 5390   | -                        | -      | 31,230                         | 7020   | -                         | -      | 7200                         | ...     | 19/32           | 8                 | 2.82 |
| 328       | 31,600                | 7110   | 52,800                   | 11870  | 40,750                         | 9160   | -                         | -      | 6200                         | 4300    | 11/16           | 8                 | 3.78 |
| 331       | 37,800                | 8500   | 61,830                   | 13900  | 47,600                         | 10700  | 61830                     | 13900  | 5600                         | 3900    | 3/4             | 8                 | 4.50 |
| 335       | 44,600                | 10000  | 71,490                   | 16070  | 55,200                         | 12400  | 71480                     | 16070  | 4950                         | 3550    | 13/16           | 8                 | 5.28 |
| 339       | 51,900                | 11700  | 81,800                   | 18390  | 62,700                         | 14100  | -                         | -      | 4450                         | 3250    | 7/8             | 8                 | 6.12 |
| 344       | 68,100                | 15300  | 104,180                  | 23420  | 80,100                         | 18000  | 104180                    | 23420  | 3950                         | 2800    | 1               | 8                 | 8.00 |
| 347       | 77,100                | 17300  | 116,280                  | 26140  | 88,100                         | 19800  | 113470                    | 25510  | 3700                         | 2650    | 1-1/16          | 8                 | 9.03 |
| 351       | 86,600                | 19500  | 129,000                  | 28990  | 93,900                         | 21100  | 123000                    | 27650  | 3400                         | ...     | 1-1/8           | 8                 | 10.1 |
| 356       | 107,200               | 24100  | 156,000                  | 35070  | 109,400                        | 24600  | 142700                    | 32080  | 3100                         | ...     | 1-1/4           | 8                 | 12.5 |
| 363       | 140,500               | 31600  | 200,180                  | 45000  | 133,400                        | 30000  | 173100                    | 38910  | 2750                         | ...     | 1-7/16          | 8                 | 16.5 |

If the load P is greater than .25C consult Rexnord Bearing Division.

\*Based on grease lubrication and moderate load.

**Table 4 • Radial Load Ratings In Pounds At Various RPM For Appropriate L<sub>10</sub> Life Hours**

| Bearing Size Number |                                     | Radial Load Ratings, Pounds |      |      |      |      |      |      |      |      |      |      |      |      |      |      |      |      |      |
|---------------------|-------------------------------------|-----------------------------|------|------|------|------|------|------|------|------|------|------|------|------|------|------|------|------|------|
| Size Code           | L <sub>10</sub> Minimum life, hours | Speed, RPM                  |      |      |      |      |      |      |      |      |      |      |      |      |      |      |      |      |      |
|                     |                                     | 50                          | 100  | 200  | 300  | 400  | 500  | 600  | 700  | 800  | 900  | 1000 | 1200 | 1500 | 1800 | 2000 | 2500 | 3000 | 3500 |
| 312                 | 8000                                | ...                         | ...  | 607  | 530  | 482  | 447  | 421  | 400  | 382  | 368  | 355  | 334  | 310  | 292  | 282  | 262  | 246  | 234  |
|                     | 20000                               | ...                         | 564  | 447  | 391  | 355  | 330  | 310  | 295  | 282  | 271  | 262  | 246  | 229  | 215  | 208  | 193  | 181  | 172  |
|                     | 40000                               | 564                         | 447  | 355  | 310  | 282  | 262  | 246  | 234  | 224  | 215  | 208  | 195  | 181  | 171  | 165  | 153  | 144  | 137  |
| 100000              | 415                                 | 330                         | 262  | 229  | 208  | 193  | 181  | 172  | 165  | 158  | 153  | 144  | 134  | 126  | 121  | 113  | 106  | 101  |      |
| 316                 | 8000                                | ...                         | ...  | 808  | 706  | 641  | 595  | 560  | 532  | 509  | 489  | 473  | 445  | 413  | 388  | 375  | 348  | 328  | 311  |
|                     | 20000                               | ...                         | 750  | 595  | 520  | 473  | 439  | 413  | 392  | 375  | 361  | 348  | 328  | 304  | 286  | 276  | 257  | 241  | 229  |
|                     | 40000                               | 750                         | 595  | 473  | 413  | 375  | 348  | 328  | 311  | 298  | 286  | 276  | 260  | 241  | 227  | 219  | 204  | 192  | 182  |
| 100000              | 553                                 | 439                         | 348  | 304  | 276  | 257  | 241  | 229  | 219  | 211  | 204  | 192  | 178  | 167  | 162  | 150  | 141  | 134  |      |
| 319                 | 8000                                | ...                         | ...  | 1064 | 929  | 844  | 784  | 737  | 701  | 670  | 644  | 622  | 585  | 543  | 511  | 494  | 458  | 431  | 410  |
|                     | 20000                               | ...                         | 987  | 784  | 685  | 622  | 577  | 543  | 516  | 494  | 475  | 458  | 431  | 400  | 377  | 364  | 338  | 318  | 302  |
|                     | 40000                               | 987                         | 784  | 622  | 543  | 494  | 458  | 431  | 410  | 392  | 377  | 364  | 342  | 318  | 299  | 289  | 268  | 252  | 240  |
| 100000              | 727                                 | 577                         | 458  | 400  | 364  | 338  | 318  | 302  | 289  | 278  | 268  | 252  | 234  | 220  | 213  | 197  | 186  | 177  |      |
| 323                 | 8000                                | ...                         | ...  | 1258 | 1099 | 998  | 927  | 872  | 829  | 792  | 762  | 736  | 692  | 643  | 605  | 584  | 542  | 510  | 485  |
|                     | 20000                               | ...                         | 1168 | 927  | 810  | 736  | 683  | 643  | 610  | 584  | 561  | 542  | 510  | 474  | 446  | 430  | 399  | 376  | 357  |
|                     | 40000                               | 1168                        | 927  | 736  | 643  | 584  | 542  | 510  | 485  | 463  | 446  | 430  | 405  | 376  | 354  | 341  | 317  | 298  | 283  |
| 100000              | 860                                 | 683                         | 542  | 474  | 430  | 399  | 376  | 357  | 341  | 328  | 317  | 298  | 277  | 261  | 252  | 234  | 220  | 209  |      |
| 324                 | 8000                                | ...                         | ...  | 1533 | 1339 | 1217 | 1130 | 1063 | 1010 | 966  | 929  | 897  | 844  | 783  | 737  | 712  | 661  | 622  | 591  |
|                     | 20000                               | ...                         | 1423 | 1130 | 987  | 897  | 832  | 783  | 744  | 712  | 684  | 661  | 622  | 577  | 543  | 524  | 487  | 458  | 435  |
|                     | 40000                               | 1423                        | 1130 | 897  | 783  | 712  | 661  | 622  | 591  | 565  | 543  | 524  | 493  | 458  | 431  | 416  | 386  | 364  | 345  |
| 100000              | 1049                                | 832                         | 661  | 577  | 524  | 487  | 458  | 435  | 416  | 400  | 386  | 364  | 337  | 318  | 307  | 285  | 268  | 254  |      |
| 328                 | 8000                                | ...                         | ...  | 2000 | 1748 | 1588 | 1474 | 1387 | 1318 | 1260 | 1212 | 1170 | 1101 | 1022 | 962  | 929  | 862  | 811  | 771  |
|                     | 20000                               | ...                         | 1857 | 1474 | 1288 | 1170 | 1086 | 1022 | 971  | 929  | 893  | 862  | 811  | 753  | 709  | 684  | 635  | 598  | 568  |
|                     | 40000                               | 1857                        | 1474 | 1170 | 1022 | 929  | 862  | 811  | 771  | 737  | 709  | 684  | 644  | 598  | 562  | 543  | 504  | 474  | 451  |
| 100000              | 1368                                | 1086                        | 862  | 753  | 684  | 635  | 598  | 568  | 543  | 522  | 504  | 474  | 440  | 414  | 400  | 371  | 350  | 332  |      |
| 331                 | 8000                                | ...                         | ...  | 2337 | 2041 | 1855 | 1722 | 1620 | 1539 | 1472 | 1415 | 1367 | 1286 | 1194 | 1123 | 1085 | 1007 | 948  | 900  |
|                     | 20000                               | ...                         | 2169 | 1722 | 1504 | 1367 | 1269 | 1194 | 1134 | 1085 | 1043 | 1007 | 948  | 880  | 828  | 799  | 742  | 698  | 663  |
|                     | 40000                               | 2169                        | 1722 | 1367 | 1194 | 1085 | 1007 | 948  | 900  | 861  | 828  | 799  | 752  | 698  | 657  | 634  | 589  | 554  | 526  |
| 100000              | 1598                                | 1269                        | 1007 | 880  | 799  | 742  | 698  | 663  | 634  | 610  | 589  | 554  | 514  | 484  | 467  | 434  | 408  | 388  |      |
| 335                 | 8000                                | ...                         | ...  | 2708 | 2366 | 2149 | 1995 | 1878 | 1784 | 1706 | 1640 | 1584 | 1490 | 1383 | 1302 | 1257 | 1167 | 1098 | 1043 |
|                     | 20000                               | ...                         | 2514 | 1995 | 1743 | 1584 | 1470 | 1383 | 1314 | 1257 | 1209 | 1167 | 1098 | 1019 | 959  | 926  | 860  | 809  | 769  |
|                     | 40000                               | 2514                        | 1995 | 1584 | 1383 | 1257 | 1167 | 1098 | 1043 | 998  | 959  | 926  | 872  | 809  | 761  | 735  | 682  | 642  | 610  |
| 100000              | 1852                                | 1470                        | 1167 | 1019 | 926  | 860  | 809  | 769  | 735  | 707  | 682  | 642  | 596  | 561  | 542  | 503  | 473  | 449  |      |
| 339                 | 8000                                | ...                         | ...  | 3079 | 2690 | 2444 | 2269 | 2135 | 2028 | 1940 | 1865 | 1801 | 1695 | 1573 | 1480 | 1429 | 1327 | 1249 | 1194 |
|                     | 20000                               | ...                         | 2859 | 2269 | 1982 | 1801 | 1672 | 1573 | 1494 | 1429 | 1374 | 1327 | 1249 | 1159 | 1091 | 1053 | 978  | 920  | 874  |
|                     | 40000                               | 2859                        | 2269 | 1801 | 1573 | 1429 | 1327 | 1249 | 1186 | 1134 | 1091 | 1053 | 991  | 920  | 866  | 836  | 776  | 730  | 694  |
| 100000              | 2106                                | 1672                        | 1327 | 1159 | 1053 | 978  | 920  | 874  | 836  | 804  | 776  | 730  | 678  | 638  | 616  | 572  | 538  | 508  |      |
| 344                 | 8000                                | ...                         | ...  | 3931 | 3434 | 3120 | 2896 | 2726 | 2589 | 2476 | 2381 | 2299 | 2163 | 2008 | 1890 | 1825 | 1694 | 1594 | 1514 |
|                     | 20000                               | ...                         | 3649 | 2896 | 2530 | 2299 | 2134 | 2008 | 1908 | 1825 | 1754 | 1694 | 1594 | 1480 | 1392 | 1344 | 1248 | 1174 | 1114 |
|                     | 40000                               | 3649                        | 2896 | 2299 | 2008 | 1825 | 1694 | 1594 | 1514 | 1448 | 1392 | 1344 | 1265 | 1174 | 1105 | 1067 | 991  | 931  | 884  |
| 100000              | 2689                                | 2134                        | 1694 | 1480 | 1344 | 1248 | 1174 | 1116 | 1067 | 1026 | 991  | 932  | 865  | 814  | 786  | 730  | 684  | 644  |      |
| 347                 | 8000                                | ...                         | ...  | 4324 | 3778 | 3432 | 3186 | 2998 | 2848 | 2724 | 2619 | 2529 | 2380 | 2209 | 2079 | 2007 | 1863 | 1749 | 1654 |
|                     | 20000                               | ...                         | 4014 | 3186 | 2783 | 2529 | 2348 | 2209 | 2098 | 2007 | 1930 | 1863 | 1753 | 1628 | 1532 | 1479 | 1373 | 1294 | 1224 |
|                     | 40000                               | 4014                        | 3186 | 2529 | 2209 | 2007 | 1863 | 1753 | 1666 | 1593 | 1532 | 1479 | 1392 | 1292 | 1216 | 1174 | 1090 | 1024 | 964  |
| 100000              | 2958                                | 2348                        | 1863 | 1628 | 1479 | 1373 | 1292 | 1227 | 1174 | 1129 | 1090 | 1025 | 952  | 896  | 865  | 803  | 754  | 704  |      |
| 351                 | 8000                                | ...                         | ...  | 4608 | 4026 | 3657 | 3395 | 3195 | 3035 | 2903 | 2791 | 2695 | 2536 | 2354 | 2215 | 2139 | 1986 | 1863 | 1754 |
|                     | 20000                               | ...                         | 4278 | 3395 | 2966 | 2695 | 2502 | 2354 | 2236 | 2139 | 2057 | 1986 | 1869 | 1735 | 1632 | 1576 | 1463 | 1374 | 1294 |
|                     | 40000                               | 4278                        | 3395 | 2695 | 2354 | 2139 | 1986 | 1869 | 1775 | 1698 | 1632 | 1576 | 1483 | 1377 | 1296 | 1251 | 1161 | 1094 | 1034 |
| 100000              | 3152                                | 2502                        | 1986 | 1735 | 1576 | 1463 | 1377 | 1308 | 1251 | 1203 | 1161 | 1093 | 1014 | 955  | 922  | 856  | 807  | 757  |      |
| 356                 | 8000                                | ...                         | ...  | 5373 | 4693 | 4264 | 3959 | 3725 | 3539 | 3384 | 3254 | 3142 | 2957 | 2745 | 2583 | 2494 | 2283 | 2137 | 2044 |
|                     | 20000                               | ...                         | 4987 | 3959 | 3458 | 3142 | 2917 | 2745 | 2607 | 2494 | 2398 | 2315 | 2178 | 2022 | 1903 | 1837 | 1683 | 1564 | 1474 |
|                     | 40000                               | 4987                        | 3959 | 3142 | 2745 | 2494 | 2315 | 2178 | 2069 | 1979 | 1903 | 1837 | 1729 | 1605 | 1510 | 1458 | 1344 | 1254 | 1184 |
| 100000              | 3675                                | 2917                        | 2315 | 2022 | 1837 | 1706 | 1605 | 1525 | 1458 | 1402 | 1354 | 1274 | 1183 | 1113 | 1075 | 984  | 914  | 864  |      |
| 363                 | 8000                                | ...                         | ...  | 6552 | 5724 | 5200 | 4827 | 4543 | 4315 | 4127 | 3969 | 3832 | 3606 | 3347 | 3150 | 3041 | 2783 | 2583 | 2484 |
|                     | 20000                               | ...                         | 6082 | 4827 | 4217 | 3832 | 3557 | 3347 | 3180 | 3041 | 2924 | 2823 | 2657 | 2466 | 2321 | 2241 | 2044 | 1884 | 1784 |
|                     | 40000                               | 6082                        | 4827 | 3832 | 3347 | 3041 | 2823 | 2657 | 2524 | 2414 | 2321 | 2241 | 2109 | 1957 | 1842 | 1778 | 1614 | 1484 | 1384 |
| 100000              | 4481                                | 3557                        | 2823 | 2466 | 2241 | 2080 | 1957 | 1859 | 1778 | 1710 | 1651 | 1554 | 1442 | 1357 | 1310 | 1184 | 1084 | 1014 |      |

\* Load exceeds 25% of the C rating, consult Rexnord Bearing Division.

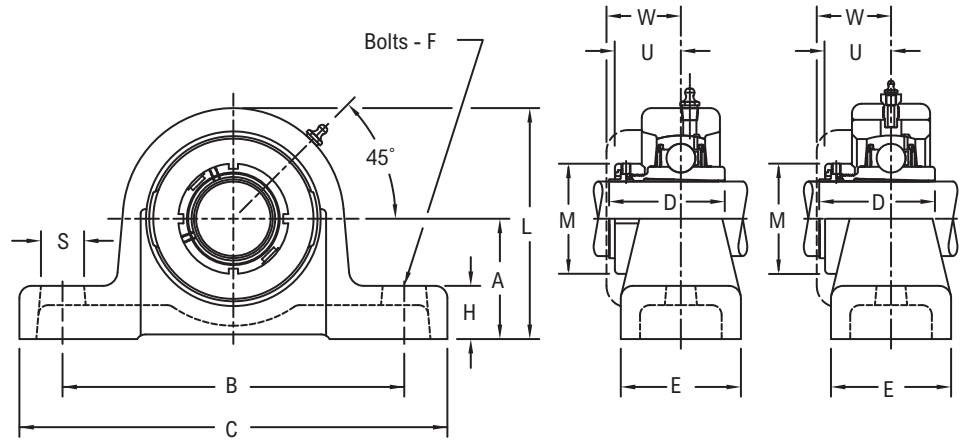


# PA300, PEA300



## Product Features

- Spyglass™ Optical Strain Sensor (OSS) Technology
- Positive locking system
- Tapered adapter sleeve
- Corrosion-resistant powder coating
- Cast iron housing
- Fixed or Expansion - Up to 3/8 in expansion
- Alignable & relubricatable
- See Features & Benefits for additional info.



## Bearing Dimensions

| Size Code | Shaft Diameter | Expansion      |         | Fixed          |         | A<br>Base to<br>Centerline<br>Height | B<br>Distance<br>Between Bolt<br>Holes | C       | D       | E      | F   | H       | M       | S      | Total Axial<br>Expansion | Approx.<br>Weight |
|-----------|----------------|----------------|---------|----------------|---------|--------------------------------------|--|---------|---------|--------|-----|---------|---------|--------|--------------------------|-------------------|
|           |                | Part<br>Number | L       | Part<br>Number | L       |                                      |  |         |         |        |     |         |         |        |                          |                   |
| 319       | 1 3/16         | PEA319         | 4 1/4   | PA319          | 4 1/16  | 2 1/8                                | 6 7/16                                 | 8 1/4   | 2 3/4   | 2 1/4  | 1/2 | 15/16   | 2 5/32  | 1 1/16 | 3/16                     | 5.50              |
| 323       | 1 7/16         | PEA323         | 4 11/16 | PA323          | 4 1/2   | 2 3/8                                | 7 3/8                                  | 9 1/4   | 2 47/64 | 2 3/8  | 5/8 | 1       | 2 3/8   | 1 1/8  | 3/16                     | 7.77              |
| 328       | 1 11/16        | PEA327         | 5 5/8   | PA327          | 5 1/2   | 2 7/8                                | 8 1/4                                  | 10 1/4  | 3 1/8   | 3      | 5/8 | 1 5/16  | 2 41/64 | 1 1/8  | 3/16                     | 13.35             |
| 331       | 1 15/16        | PEA331         | 6 7/32  | PA331          | 6       | 3 1/8                                | 8 7/8                                  | 11 1/8  | 3 7/32  | 3 1/8  | 5/8 | 1 3/8   | 2 55/64 | 1 1/8  | 1/4                      | 16.00             |
| 335       | 2 3/16         | PEA335         | 6 13/16 | PA335          | 6 5/8   | 3 1/2                                | 10 1/4                                 | 12 5/8  | 3 23/64 | 3 3/8  | 3/4 | 1 1/2   | 3 15/64 | 1 1/4  | 9/32                     | 24.00             |
| 339       | 2 7/16         | PEA339         | 7 3/16  | PA339          | 7 1/8   | 3 5/8                                | 11 1/4                                 | 13 3/4  | 3 27/32 | 3 1/2  | 3/4 | 1 5/8   | 3 19/32 | 1 3/8  | 9/32                     | 27.00             |
| 344       | 2 11/16        | PEA343         | 7 15/16 | PA343          | 7 3/4   | 4                                    | 11 13/16                               | 14 5/8  | 4 1/4   | 3 3/4  | 7/8 | 1 5/8   | 4 3/32  | 1 5/8  | 7/32                     | 36.00             |
|           | 2 3/4          | PEA344         |         | PA344          |         |                                      |  |         |         |        |     |         |         |        |                          |                   |
| 347       | 2 15/16        | PEA347         | 8 3/8   | PA347          | 8 3/8   | 4 1/4                                | 12                                     | 15 1/8  | 4 17/32 | 4      | 7/8 | 1 3/4   | 4 3/32  | 1 5/8  | 7/32                     | 44.00             |
| 351       | 3 3/16         | PEA351         | 9       | PA351          | 9       | 4 9/16                               | 12 1/4                                 | 15 3/8  | 5 1/2   | 4 5/16 | 7/8 | 1 15/16 | 4 61/64 | 1 5/8  | 11/32                    | 55.00             |
| 356       | 3 7/16         | PEA355         | 10 1/16 | PA355          | 9 7/8   | 5 1/8                                | 12 7/8                                 | 16 1/8  | 5 23/64 | 5      | 1   | 2 1/4   | 4 61/64 | 1 5/8  | 11/32                    | 68.00             |
| 363       | 3 15/16        | PEA363         | 11 1/16 | PA363          | 11 1/16 | 5 11/16                              | 14 1/2                                 | 17 5/16 | 5 29/32 | 5      | 1   | 2 9/16  | 5 43/64 | 1 1/2  | 11/32                    | 98.00             |

## Additional Notes

- Please call 1-866-REXNORD for availability
- Lubrication fitting tap size: for expansion units with shaft sizes 2 7/16 in and below, 1/4 in-28 UNF; for other expansion units and all fixed units, 1/8 in PT
- Base to centerline tolerance, +0.000 in/-0.010 in (+0.00 mm/-0.25 mm)
- For the Selection Guide, Load Ratings and Speed Limits, see the Link-Belt Heavy Duty Ball Bearing Engineering section
- Note: Dimensions subject to change. Certified dimensions of ordered material furnished on request.

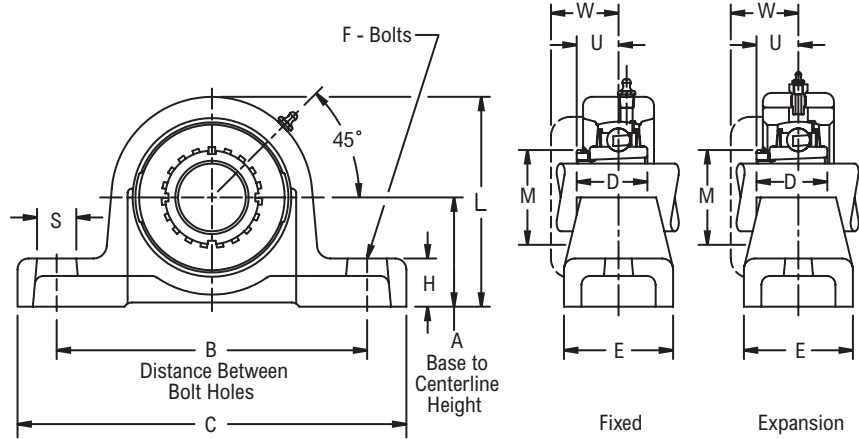
## PU3K00, PEU3K00



Photo Shows a 2-Bolt Ball Bearing Pillow Block Unit

### Product Features

- Corrosion-resistant powder coating
- Cast iron housing
- Enhanced life mounting style
- Fixed or Expansion - Up to 11/32 in expansion
- Alignable & relubricatable
- See Features & Benefits for additional info.



### Bearing Dimensions

| Size Code | Shaft Diameter | Expansion   |         | Fixed       |         | A<br>Base to<br>Centerline<br>Height | B<br>Distance<br>Between<br>Bolt Holes | C       | D       | E      | F   | H       | M       | S     | U       | W       | Total<br>Axial<br>Expansion | Approx.<br>Weight |
|-----------|----------------|-------------|---------|-------------|---------|--------------------------------------|--|---------|---------|--------|-----|---------|---------|-------|---------|---------|-----------------------------|-------------------|
|           |                | Part Number | L       | Part Number | L       |                                      |  |         |         |        |     |         |         |       |         |         |                             |                   |
| 331       | 1 11/16        | PEU3K27     | 6 7/32  | PU3K27      | 6       | 3 1/8                                | 8 7/8                                  | 11 1/8  | 2 17/32 | 3 1/8  | 5/8 | 1 3/8   | 2 11/16 | 1 1/8 | 1 35/64 | 1 27/32 | 1/4                         | 17.00             |
| 335       | 1 15/16        | PEU3K31     | 6 13/16 | PU3K31      | 6 5/8   | 3 1/2                                | 10 1/4                                 | 12 5/8  | 2 19/32 | 3 3/8  | 3/4 | 1 1/2   | 2 31/32 | 1 1/4 | 1 43/64 | 1 31/32 | 9/32                        | 23.00             |
| 344       | 2 3/16         | PEU3K35     | 7 15/16 | PU3K35      | 7 3/4   | 4                                    | 11 13/16                               | 14 5/8  | 3 1/32  | 3 3/4  | 7/8 | 1 5/8   | 3 3/8   | 1 5/8 | 1 27/32 | 2 3/16  | 7/32                        | 35.00             |
| 347       | 2 7/16         | PEU3K39     | 8 3/8   | PU3K39      | 8 3/8   | 4 1/4                                | 12                                     | 15 1/8  | 3 3/16  | 4      | 7/8 | 1 3/4   | 3 7/8   | 1 5/8 | 1 15/16 | 2 7/16  | 7/32                        | 41.00             |
| 351       | 2 11/16        | PEU3K43     | 9       | PU3K43      | 9       | 4 9/16                               | 12 1/4                                 | 15 3/8  | 3 5/16  | 4 5/16 | 7/8 | 1 15/16 | 4 5/32  | 1 5/8 | 2 1/4   | 2 5/8   | 11/32                       | 50.00             |
| 356       | 2 15/16        | PEU3K47     | 10 1/16 | PU3K47      | 9 7/8   | 5 1/8                                | 12 7/8                                 | 16 1/8  | 3 17/32 | 5      | 1   | 2 1/4   | 4 13/32 | 1 5/8 | 2 3/8   | 2 3/4   | 11/32                       | 60.00             |
| 363       | 3 7/16         | PEU3K55     | 11 1/16 | PU3K55      | 11 1/16 | 5 11/16                              | 14 1/2                                 | 17 5/16 | 3 31/32 | 5      | 1   | 2 9/16  | 5 3/16  | 1 1/2 | 2 29/32 | 3 9/32  | 11/32                       | 82.00             |

### Additional Notes

- Please call 1-866-REXNORD for availability
- Lubrication fitting tap size: for expansion units with shaft sizes 1 15/16 in and below, 1/4 in-28 UNF; for other expansion units and all fixed units, 1/8 in PT
- Base to centerline tolerance, +.000 in/-0.010 in (+0.00 mm/-0.25 mm)
- 1 11/16 in thru 2 7/16 in shaft sizes also available with dual contact lip seals, add suffix N
- For the Selection Guide, Load Ratings and Speed Limits, see the Link-Belt Heavy Duty Ball Bearing Engineering section

Note: Dimensions subject to change. Certified dimensions of ordered material furnished on request.



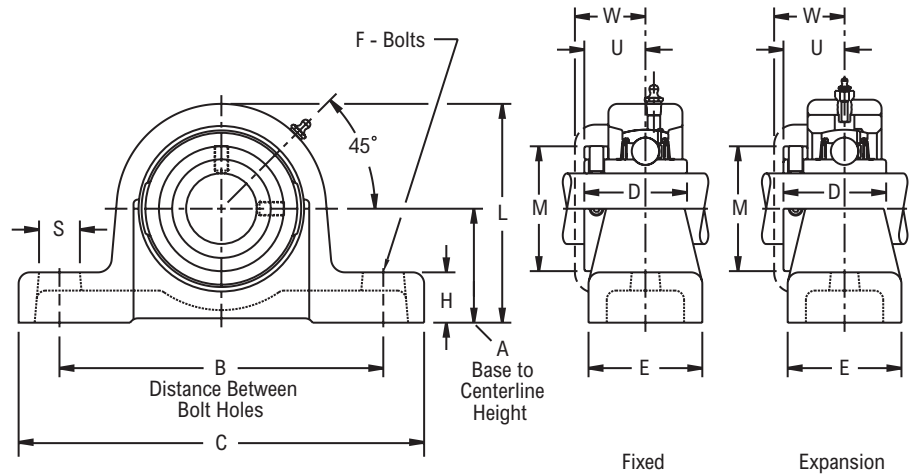
# PU300, PEU300



Photo Shows a 2-Bolt Ball Bearing Pillow Block Unit

## Product Features

- Corrosion-resistant powder coating
- Cast iron housing
- Spring locking setscrew mount
- Fixed or Expansion - Up to 11/32 in expansion
- Alignable & relubricatable
- See Features & Benefits for additional info.



## Bearing Dimensions

| Size Code | Shaft Diameter | Expansion   |         | Fixed       |         | A<br>Base to<br>Centerline<br>Height | B<br>Distance<br>Between<br>Bolt Holes | C       | D       | E      | F   | H       | M       | S      | U       | W       | Total<br>Axial<br>Expansion | Approx.<br>Weight |
|-----------|----------------|-------------|---------|-------------|---------|--------------------------------------|--|---------|---------|--------|-----|---------|---------|--------|---------|---------|-----------------------------|-------------------|
|           |                | Part Number | L       | Part Number | L       |                                      |  |         |         |        |     |         |         |        |         |         |                             |                   |
| 312       | 3/4            | PEU312      | 3 3/16  | PU312       | 3 1/16  | 1 5/8                                | 5                                      | 6 1/2   | 1 15/32 | 1 3/4  | 1/2 | 13/16   | 1 5/8   | 7/8    | 27/32   | 1 3/64  | 3/16                        | 3.00              |
|           | 7/8            | PEU314      |         | PU314       |         |                                      |  |         |         |        |     |         |         |        |         |         |                             |                   |
| 316       | 15/16          | PEU315      | 3 23/32 | PU315       | 3 9/16  | 1 7/8                                | 5 1/2                                  | 7       | 1 43/64 | 2      | 1/2 | 7/8     | 2       | 7/8    | 63/64   | 1 15/64 | 3/16                        | 4.00              |
|           | 1              | PEU316      |         | PU316       |         |                                      |  |         |         |        |     |         |         |        |         |         |                             |                   |
| 319       | 1 1/8          | PEU318      | 4 1/4   | PU318       | 4 1/16  | 2 1/8                                | 6 7/16                                 | 8 1/4   | 1 59/64 | 2 1/4  | 1/2 | 15/16   | 2 5/16  | 1 1/16 | 1 9/64  | 1 13/32 | 3/16                        | 5.90              |
|           | 1 3/16         | PEU319      |         | PU319       |         |                                      |  |         |         |        |     |         |         |        |         |         |                             |                   |
| 323       | 1 1/4          | PEU320      |         | PU320       |         |                                      |  |         |         |        |     |         |         |        |         |         |                             |                   |
|           | 1 3/8          | PEU322      | 4 11/16 | PU322       | 4 1/2   | 2 3/8                                | 7 3/8                                  | 9 1/4   | 2 3/32  | 2 3/8  | 5/8 | 1       | 2 9/16  | 1 1/8  | 1 1/4   | 1 1/2   | 3/16                        | 7.50              |
| 324       | 1 7/16         | PEU323      |         | PU323       |         |                                      |  |         |         |        |     |         |         |        |         |         |                             |                   |
|           | 1 1/2          | PEU324      | 5 7/32  | PU324       | 5       | 2 5/8                                | 8                                      | 10 1/8  | 2 5/16  | 2 5/8  | 5/8 | 1 1/4   | 3 1/16  | 1 1/4  | 1 25/64 | 1 39/64 | 3/16                        | 11.50             |
| 328       | 1 5/8          | PEU326      |         | PU326       |         |                                      |  |         |         |        |     |         |         |        |         |         |                             |                   |
|           | 1 11/16        | PEU327      | 5 5/8   | PU327       | 5 1/2   | 2 7/8                                | 8 1/4                                  | 10 1/4  | 2 19/32 | 3      | 5/8 | 1 5/16  | 3 1/4   | 1 1/8  | 1 35/64 | 1 27/32 | 3/16                        | 13.00             |
| 331       | 1 3/4          | PEU328      |         | PU328       |         |                                      |  |         |         |        |     |         |         |        |         |         |                             |                   |
|           | 1 15/16        | PEU331      | 6 7/32  | PU331       | 6       | 3 1/8                                | 8 7/8                                  | 11 1/8  | 2 13/16 | 3 1/8  | 5/8 | 1 3/8   | 3 7/16  | 1 1/8  | 1 43/64 | 1 31/32 | 1/4                         | 17.20             |
| 335       | 2              | PEU332      |         | PU332       |         |                                      |  |         |         |        |     |         |         |        |         |         |                             |                   |
|           | 2 1/8          | PEU334      | 6 13/16 | PU334       | 6 5/8   | 3 1/2                                | 10 1/4                                 | 12 5/8  | 3 1/16  | 3 3/8  | 3/4 | 1 1/2   | 3 15/16 | 1 1/4  | 1 27/32 | 2 3/16  | 9/32                        | 21.50             |
| 339       | 2 3/16         | PEU335      |         | PU335       |         |                                      |  |         |         |        |     |         |         |        |         |         |                             |                   |
|           | 2 1/4          | PEU336      | 7 3/16  | PU336       | 7 1/8   | 3 5/8                                | 11 1/4                                 | 13 3/4  | 3 5/16  | 3 1/2  | 3/4 | 1 5/8   | 4 3/16  | 1 3/8  | 1 15/16 | 2 7/16  | 9/32                        | 27.50             |
| 344       | 2 7/16         | PEU339      |         | PU339       |         |                                      |  |         |         |        |     |         |         |        |         |         |                             |                   |
|           | 2 11/16        | PEU343      | 7 15/16 | PU343       | 7 3/4   | 4                                    | 11 13/16                               | 14 5/8  | 3 13/16 | 3 3/4  | 7/8 | 1 5/8   | 4 3/4   | 1 5/8  | 2 1/4   | 2 5/8   | 7/32                        | 39.00             |
| 347       | 2 3/4          | PEU344      |         | PU344       |         |                                      |  |         |         |        |     |         |         |        |         |         |                             |                   |
|           | 2 15/16        | PEU347      | 8 3/8   | PU347       | 8 3/8   | 4 1/4                                | 12                                     | 15 1/8  | 4 3/32  | 4      | 7/8 | 1 3/4   | 4 15/16 | 1 5/8  | 2 3/8   | 2 3/4   | 7/32                        | 44.50             |
| 351       | 3              | PEU348      | 9       | PU348       | 9       | 4 9/16                               | 12 1/4                                 | 15 3/8  | 4 13/32 | 4 5/16 | 7/8 | 1 15/16 | 5 11/16 | 1 5/8  | 2 19/32 | 3       | 11/32                       | 53.00             |
|           | 3 3/16         | PEU351      |         | PU351       |         |                                      |  |         |         |        |     |         |         |        |         |         |                             |                   |
| 356       | 3 7/16         | PEU355      | 10 1/16 | PU355       | 9 7/8   | 5 1/8                                | 12 7/8                                 | 16 1/8  | 4 15/16 | 5      | 1   | 2 1/4   | 6       | 1 5/8  | 2 29/32 | 3 9/32  | 11/32                       | 70.00             |
|           | 3 1/2          | PEU356      |         | PU356       |         |                                      |  |         |         |        |     |         |         |        |         |         |                             |                   |
| 363       | 3 15/16        | PEU363      | 11 1/16 | PU363       | 11 1/16 | 5 11/16                              | 14 1/2                                 | 17 5/16 | 5 9/16  | 5      | 1   | 2 9/16  | 7       | 1 1/2  | 3 9/32  | 3 11/16 | 11/32                       | 98.00             |

## Additional Notes

- Please call 1-866-REXNORD for availability
- Lubrication fitting tap size: for expansion units with shaft sizes 2 7/16 in and below, 1/4 in-28 UNF; for other expansion units and all fixed units, 1/8 in PT
- Base to centerline tolerance, +.000 in/-0.010 in (+0.00 mm/-0.25 mm)
- 1 1/8 in thru 1 7/16 in & 1 5/8 in thru 2 15/16 in shaft sizes also available with dual contact lip seals, add suffix N
- For the Selection Guide, Load Ratings and Speed Limits, see the Link-Belt Heavy Duty Ball Bearing Engineering section

Note: Dimensions subject to change. Certified dimensions of ordered material furnished on request.

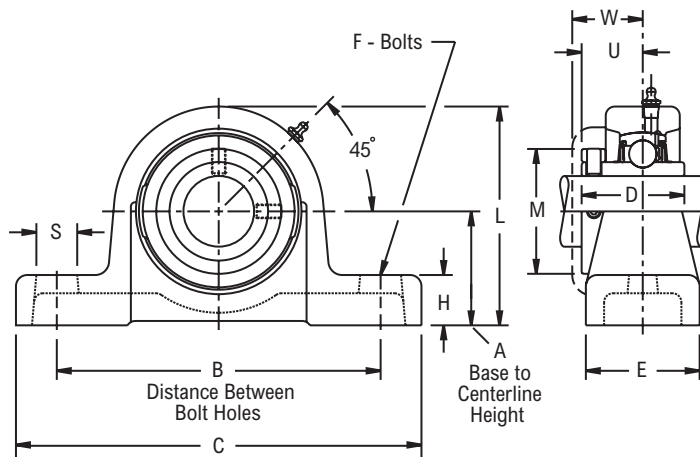
# P2U300



Photo Shows a 2-Bolt Ball Bearing Pillow Block Unit

### Product Features

- Corrosion-resistant powder coating
- Cast iron housing
- Spring locking setscrew mount
- Alignable & relubricatable
- High base to center height
- See Features & Benefits for additional info.



### Bearing Dimensions

| Size Code | Shaft Diameter | Part Number | A<br>Base to Centerline Height | B<br>Distance Between Bolt Holes | C        | D       | E     | F   | H      | L       | M       | S     | U       | W       | Approx. Weight |
|-----------|----------------|-------------|--------------------------------|----------------------------------|----------|---------|-------|-----|--------|---------|---------|-------|---------|---------|----------------|
| 316       | 7/8            | P2U314      | 2                              | 5 1/2                            | 7        | 1 43/64 | 2     | 1/2 | 7/8    | 3 11/16 | 2       | 7/8   | 63/64   | 1 15/64 | 4.20           |
|           | 15/16          | P2U315      |                                |                                  |          |         |       |     |        |         |         |       |         |         |                |
|           | 1              | P2U316      |                                |                                  |          |         |       |     |        |         |         |       |         |         |                |
| 319       | 1 1/8          | P2U318      | 2 3/8                          | 6 5/8                            | 8 1/4    | 1 59/64 | 2 3/8 | 1/2 | 7/8    | 4 5/16  | 2 5/16  | 1     | 1 9/64  | 1 13/32 | 6.50           |
|           | 1 3/16         | P2U319      |                                |                                  |          |         |       |     |        |         |         |       |         |         |                |
| 323       | 1 1/4          | P2U320      | 2 3/4                          | 8 1/4                            | 10 1/8   | 2 3/32  | 2 3/4 | 5/8 | 15/16  | 4 7/8   | 2 9/16  | 1 1/8 | 1 1/4   | 1 1/2   | 8.90           |
|           | 1 3/8          | P2U322      |                                |                                  |          |         |       |     |        |         |         |       |         |         |                |
|           | 1 7/16         | P2U323      |                                |                                  |          |         |       |     |        |         |         |       |         |         |                |
| 328       | 1 5/8          | P2U326      | 3 1/8                          | 9                                | 11       | 2 19/32 | 3     | 5/8 | 1 3/16 | 5 3/4   | 3 1/4   | 1 1/8 | 1 35/64 | 1 27/32 | 14.00          |
|           | 1 11/16        | P2U327      |                                |                                  |          |         |       |     |        |         |         |       |         |         |                |
|           | 1 3/4          | P2U328      |                                |                                  |          |         |       |     |        |         |         |       |         |         |                |
| 335       | 2              | P2U332      | 3 3/4                          | 10 1/4                           | 12 5/8   | 3 1/16  | 3 3/8 | 3/4 | 1 7/16 | 6 7/8   | 3 15/16 | 1 3/8 | 1 27/32 | 2 3/16  | 22.90          |
|           | 2 1/8          | P2U334      |                                |                                  |          |         |       |     |        |         |         |       |         |         |                |
|           | 2 3/16         | P2U335      |                                |                                  |          |         |       |     |        |         |         |       |         |         |                |
| 339       | 2 1/4          | P2U336      | 4 1/8                          | 11 1/4                           | 13 3/4   | 3 5/16  | 4     | 3/4 | 1 1/2  | 7 1/2   | 4 3/16  | 1 3/8 | 1 15/16 | 2 7/16  | 31.10          |
|           | 2 7/16         | P2U339      |                                |                                  |          |         |       |     |        |         |         |       |         |         |                |
| 344       | 2 11/16        | P2U343      | 4 9/16                         | 12                               | 14 13/16 | 3 13/16 | 4 3/8 | 7/8 | 1 3/4  | 8 7/16  | 4 3/4   | 1 3/8 | 2 1/4   | 2 5/8   | 44.00          |
|           | 2 3/4          | P2U344      |                                |                                  |          |         |       |     |        |         |         |       |         |         |                |
| 347       | 2 15/16        | P2U347      | 4 9/16                         | 12 3/8                           | 15 3/8   | 4 3/32  | 4 3/8 | 7/8 | 1 7/8  | 8 11/16 | 4 15/16 | 1 3/8 | 2 3/8   | 2 3/4   | 47.20          |

### Additional Notes

- Please call 1-866-REXNORD for availability
- Lubrication fitting tap size, 1/8 in PT
- Base to centerline tolerance, +.000 in/- .010 in (**+0.00 mm/-0.25 mm**)
- 1 1/8 in thru 1 7/16 in & 1 5/8 in thru 2 15/16 in shaft sizes also available with dual contact lip seals, add suffix N
- For the Selection Guide, Load Ratings and Speed Limits, see the Link-Belt Heavy Duty Ball Bearing Engineering section
- Note: Dimensions subject to change. Certified dimensions of ordered material furnished on request.

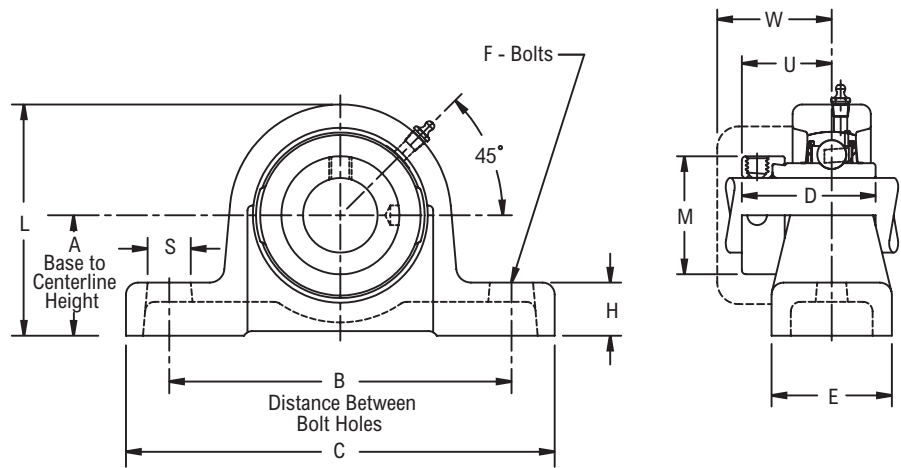
# PLY300



Photo Shows a 2-Bolt Ball Bearing Pillow Block Unit

## Product Features

- Corrosion-resistant powder coating
- Cast iron housing
- Eccentric cam locking device
- Alignable & relubricatable
- See Features & Benefits for additional info.



## Bearing Dimensions

| Size Code | Shaft Diameter | Part Number | A Base to Centerline Height | B Distance Between Bolt Holes | C       | D       | E       | F   | H      | L       | M       | S      | U       | Approx. Weight |
|-----------|----------------|-------------|-----------------------------|-------------------------------|---------|---------|---------|-----|--------|---------|---------|--------|---------|----------------|
| 319       | 1 3/16         | PLY319N     | 1 7/8                       | 5 3/8                         | 6 13/16 | 2 1/32  | 1 15/16 | 1/2 | 7/8    | 3 11/16 | 1 15/16 | 3/4    | 1 1/4   | 4.60           |
| 323       | 1 7/16         | PLY323N     | 2 1/8                       | 6                             | 7 9/16  | 2 5/32  | 2 1/8   | 1/2 | 15/16  | 4 3/32  | 2 3/16  | 3/4    | 1 5/16  | 5.90           |
| 328       | 1 11/16        | PLY327N     | 2 5/8                       | 7 1/2                         | 9 7/16  | 2 9/16  | 2 5/8   | 5/8 | 1 3/16 | 5 1/8   | 2 3/4   | 1      | 1 33/64 | 11.30          |
| 331       | 1 15/16        | PLY331N     | 2 13/16                     | 8 1/4                         | 10 7/16 | 2 25/32 | 2 7/8   | 5/8 | 1 5/16 | 5 9/16  | 3       | 1      | 1 41/64 | 15.00          |
| 335       | 2 3/16         | PLY335N     | 3 1/16                      | 9                             | 11 5/16 | 2 15/16 | 3 1/8   | 3/4 | 1 7/16 | 6 1/32  | 3 1/4   | 1 1/8  | 1 23/32 | 18.50          |
| 339       | 2 7/16         | PLY339N     | 3 5/16                      | 9 3/4                         | 12 5/16 | 3 5/32  | 3 5/16  | 3/4 | 1 1/2  | 6 17/32 | 3 1/2   | 1 1/8  | 1 25/32 | 23.20          |
| 344       | 2 11/16        | PLY343N     | 3 13/16                     | 11 1/4                        | 14 3/16 | 3 9/16  | 3 13/16 | 7/8 | 1 3/4  | 7 9/16  | 4       | 1 5/16 | 2       | 36.10          |
| 347       | 2 15/16        | PLY347N     | 4 1/8                       | 12                            | 15 1/8  | 3 15/16 | 4 1/16  | 7/8 | 1 7/8  | 8 1/8   | 4 7/16  | 1 5/16 | 2 7/32  | 43.40          |

## Additional Notes

- Please call 1-866-REXNORD for availability
- Lubrication fitting tap size, 1/8 in PT
- Base to centerline tolerance, +.000 in/-0.010 in (+0.00 mm/-0.25 mm)
- N dual contact lip seals standard
- For the Selection Guide, Load Ratings and Speed Limits, see the Link-Belt Heavy Duty Ball Bearing Engineering section
- Note: Dimensions subject to change. Certified dimensions of ordered material furnished on request.

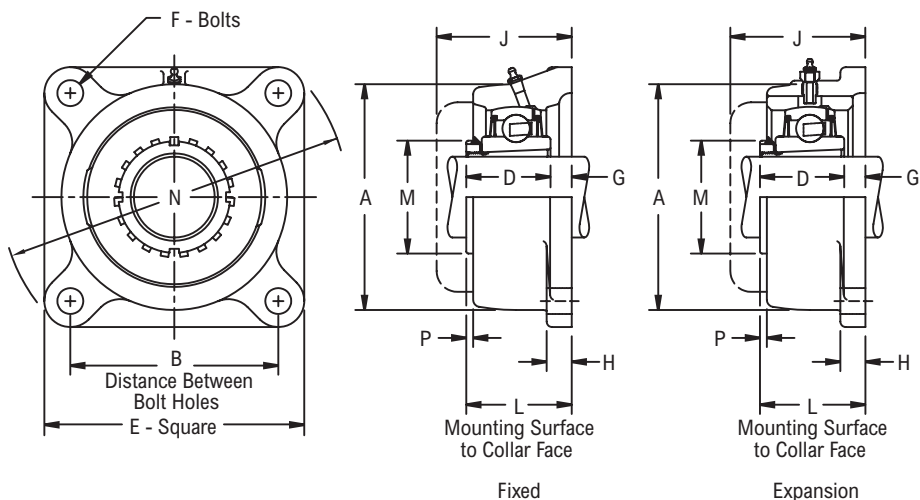
## FU3K00, FEU3K00



Photo Shows a 4-Bolt Ball Bearing Flanged Unit

### Product Features

- Corrosion-resistant powder coating
- Cast iron housing
- Enhanced life mounting style
- Fixed or Expansion - Up to 11/32 in expansion
- Alignable & relubricatable
- See Features & Benefits for additional info.



### Bearing Dimensions

| Size Code | Shaft Diameter | Expansion      |          | Fixed          |        | B<br>Distance<br>Between<br>Bolt Holes | L<br>Mounting<br>Surface to<br>Collar Face | D       | E      | F     | G     | H     | J       | M       | N        | P     | Total<br>Axial<br>Expansion | Approx.<br>Weight |
|-----------|----------------|----------------|----------|----------------|--------|--|--|---------|--------|-------|-------|-------|---------|---------|----------|-------|-----------------------------|-------------------|
|           |                | Part<br>Number | A        | Part<br>Number | A      |  |  |         |        |       |       |       |         |         |          |       |                             |                   |
| 331       | 1 11/16        | FEU3K27        | 5 15/16  | FU3K27         | 5 1/2  | 5 1/8                                  | 2 27/32                                    | 2 17/32 | 6 1/2  | 5/8   | 21/64 | 11/16 | 3 17/64 | 2 11/16 | 8 5/8    | 17/32 | 1/4                         | 12.00             |
| 335       | 1 15/16        | FEU3K31        | 6 3/8    | FU3K31         | 6      | 5 3/4                                  | 2 61/64                                    | 2 19/32 | 7 5/16 | 3/4   | 23/64 | 3/4   | 3 9/16  | 2 31/32 | 9 11/16  | 25/64 | 9/32                        | 17.60             |
| 344       | 2 3/16         | FEU3K35        | 7 3/4    | FU3K35         | 7 5/16 | 7                                      | 3 35/64                                    | 3 1/32  | 8 7/8  | 7/8   | 17/32 | 7/8   | 4 11/32 | 3 3/8   | 11 25/32 | 21/64 | 7/32                        | 26.90             |
| 347       | 2 7/16         | FEU3K39        | 8 1/4    | FU3K39         | 7 7/8  | 7 1/4                                  | 3 7/8                                      | 3 3/16  | 9 1/16 | 7/8   | 11/16 | 7/8   | 4 11/16 | 3 7/8   | 12 1/16  | 7/32  | 7/32                        | 30.80             |
| 356       | 2 15/16        | FEU3K47        | 9 7/8    | FU3K47         | 9 1/4  | 8 1/2                                  | 4 3/8                                      | 3 17/32 | 11     | 1     | 27/32 | 1 1/4 | 5 17/32 | 4 13/32 | 14 17/32 | 7/32  | 11/32                       | 49.70             |
| 363       | 3 7/16         | FEU3K55        | 10 15/16 | FU3K55         | 10 3/8 | 9 1/2                                  | 4 59/64                                    | 3 31/32 | 12 1/8 | 1 1/8 | 15/16 | 1 3/8 | 6 3/16  | 5 3/16  | 16 1/16  | 15/64 | 11/32                       | 65.30             |

### Additional Notes

- Please call 1-866-REXNORD for availability
- Lubrication fitting tap size: for expansion units with shaft sizes 1 15/16 in and below, 1/4 in-28 UNF; for other expansion units and all fixed units, 1/8 in PT
- 1 11/16 in thru 2 7/16 in shaft sizes also available with dual contact lip seals, add suffix N
- Selection Guide, see Link-Belt Heavy Duty Ball Bearing Selection Guide section
- For the Selection Guide, Load Ratings and Speed Limits, see the Link-Belt Heavy Duty Ball Bearing Engineering section
- Note: Dimensions subject to change. Certified dimensions of ordered

material furnished on request.

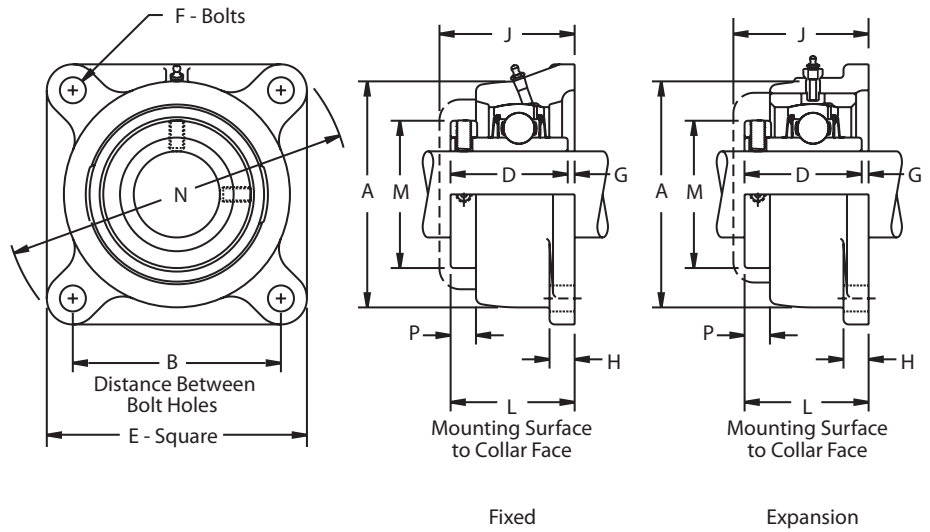
# FU300, FEU300



Photo Shows a 4-Bolt Ball Bearing Flanged Unit

## Product Features

- Corrosion-resistant powder coating
- Cast iron housing
- Spring locking setscrew mount
- Fixed or Expansion - Up to 11/32 in expansion
- Alignable & relubricatable
- See Features & Benefits for additional info.



## Bearing Dimensions

| Size Code | Shaft Diameter | Expansion   |          | Fixed       |        | B<br>Distance<br>Between<br>Bolt Holes | L<br>Mounting<br>Surface to<br>Collar Face | D       | E       | F     | G    | H     | J       | M       | N        | P      | Total<br>Axial<br>Expansion | Approx.<br>Weight |
|-----------|----------------|-------------|----------|-------------|--------|--|--|---------|---------|-------|------|-------|---------|---------|----------|--------|-----------------------------|-------------------|
|           |                | Part Number | A        | Part Number | A      |  |  |         |         |       |      |       |         |         |          |        |                             |                   |
| 316       | 7/8            | FEU314      | 3 11/16  | FU314       | 3 1/4  | 3 1/2                                  | 1 51/64                                    | 1 43/64 | 4 5/8   | 1/2   | 1/8  | 9/16  | 2 3/64  | 2       | 6 1/16   | 19/64  | 3/16                        | 4.00              |
|           | 15/16          | FEU315      |          | FU315       |        |  |  |         |         |       |      |       |         |         |          |        |                             |                   |
|           | 1              | FEU316      |          | FU316       |        |  |  |         |         |       |      |       |         |         |          |        |                             |                   |
| 319       | 1 1/8          | FEU318      | 4 1/8    | FU318       | 3 5/8  | 3 13/16                                | 2 3/64                                     | 1 59/64 | 4 15/16 | 1/2   | 1/8  | 5/8   | 2 5/16  | 2 5/16  | 6 17/32  | 25/64  | 3/16                        | 4.70              |
|           | 1 3/16         | FEU319      |          | FU319       |        |  |  |         |         |       |      |       |         |         |          |        |                             |                   |
| 323       | 1 1/4          | FEU320      | 4 15/32  | FU320       | 4 1/16 | 4                                      | 2 1/4                                      | 2 3/32  | 5 1/8   | 1/2   | 5/32 | 5/8   | 2 1/2   | 2 9/16  | 6 25/32  | 7/16   | 9/32                        | 6.00              |
|           | 1 3/8          | FEU322      |          | FU322       |        |  |  |         |         |       |      |       |         |         |          |        |                             |                   |
|           | 1 7/16         | FEU323      |          | FU323       |        |  |  |         |         |       |      |       |         |         |          |        |                             |                   |
| 324       | 1 1/2          | FEU324      | 5        | FU324       | 4 9/16 | 4 5/8                                  | 2 15/32                                    | 2 5/16  | 6       | 5/8   | 5/32 | 5/8   | 2 11/16 | 3 1/16  | 7 29/32  | 1/2    | 9/32                        | 8.50              |
| 328       | 1 5/8          | FEU326      | 5 1/2    | FU326       | 5      | 4 7/8                                  | 2 3/4                                      | 2 19/32 | 6 1/4   | 5/8   | 5/32 | 11/16 | 3 3/64  | 3 1/4   | 8 9/32   | 35/64  | 3/16                        | 10.20             |
|           | 1 11/16        | FEU327      |          | FU327       |        |  |  |         |         |       |      |       |         |         |          |        |                             |                   |
|           | 1 3/4          | FEU328      |          | FU328       |        |  |  |         |         |       |      |       |         |         |          |        |                             |                   |
| 331       | 1 15/16        | FEU331      | 5 15/16  | FU331       | 5 1/2  | 5 1/8                                  | 2 31/32                                    | 2 13/16 | 6 1/2   | 5/8   | 5/32 | 11/16 | 3 17/64 | 3 7/16  | 8 5/8    | 37/64  | 1/4                         | 12.20             |
|           | 2              | FEU332      |          | FU332       |        |  |  |         |         |       |      |       |         |         |          |        |                             |                   |
| 335       | 2 1/8          | FEU334      | 6 3/8    | FU334       | 6      | 5 3/4                                  | 3 7/32                                     | 3 1/16  | 7 5/16  | 3/4   | 5/32 | 3/4   | 3 9/16  | 3 15/16 | 9 11/16  | 21/32  | 9/32                        | 16.50             |
|           | 2 3/16         | FEU335      |          | FU335       |        |  |  |         |         |       |      |       |         |         |          |        |                             |                   |
| 339       | 2 1/4          | FEU336      | 6 13/16  | FU336       | 6 3/8  | 6                                      | 3 15/32                                    | 3 5/16  | 7 5/8   | 3/4   | 5/32 | 3/4   | 3 31/32 | 4 3/16  | 10 1/8   | 21/32  | 9/32                        | 19.20             |
|           | 2 7/16         | FEU339      |          | FU339       |        |  |  |         |         |       |      |       |         |         |          |        |                             |                   |
| 344       | 2 11/16        | FEU343      | 7 3/4    | FU343       | 7 5/16 | 7                                      | 3 31/32                                    | 3 13/16 | 8 7/8   | 7/8   | 5/32 | 7/8   | 4 11/32 | 4 3/4   | 11 25/32 | 3/4    | 7/32                        | 30.00             |
|           | 2 3/4          | FEU344      |          | FU344       |        |  |  |         |         |       |      |       |         |         |          |        |                             |                   |
| 347       | 2 15/16        | FEU347      | 8 1/4    | FU347       | 7 7/8  | 7 1/4                                  | 4 5/16                                     | 4 3/32  | 9 1/16  | 7/8   | 7/32 | 7/8   | 4 11/16 | 4 15/16 | 12 1/16  | 7/8    | 7/32                        | 33.50             |
| 356       | 3 1/16         | FEU355      | 9 7/8    | FU355       | 9 1/4  | 8 1/2                                  | 5 5/32                                     | 4 15/16 | 11      | 1     | 7/32 | 1 1/4 | 5 17/32 | 6       | 14 17/32 | 1      | 11/32                       | 58.00             |
|           | 3 1/2          | FEU356      |          | FU356       |        |  |  |         |         |       |      |       |         |         |          |        |                             |                   |
| 363       | 3 15/16        | FEU363      | 10 15/16 | FU363       | 10 3/8 | 9 1/2                                  | 5 25/32                                    | 5 9/16  | 12 1/8  | 1 1/8 | 7/32 | 1 3/8 | 6 3/16  | 7       | 16 1/16  | 1 3/32 | 11/32                       | 78.00             |

## Additional Notes

- Please call 1-866-REXNORD for availability
- Lubrication fitting tap size: for expansion units with shaft sizes 2 7/16 in and below, 1/4 in-28 UNF; for other expansion units and all fixed units, 1/8 in PT
- 1 1/8 in thru 1 7/16 in & 1 5/8 in thru 2 15/16 in shaft sizes also available with dual contact lip seals, add suffix N
- For the Selection Guide, Load Ratings and Speed Limits, see the Link-Belt Heavy Duty Ball Bearing Engineering section
- Note: Dimensions subject to change. Certified dimensions of ordered material furnished on request.

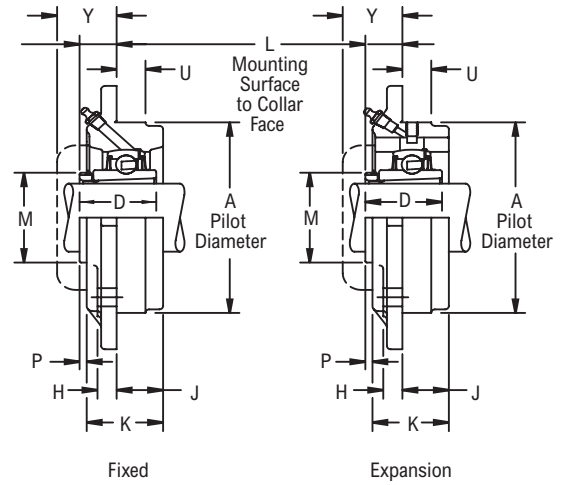
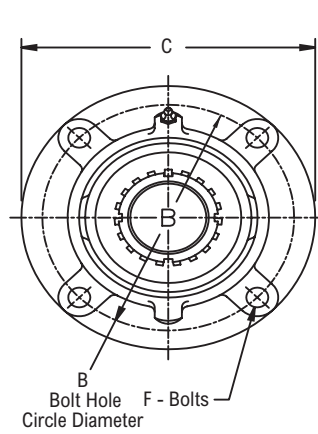
## FCU3K00, FCEU3K00



Photo Shows a 4-Bolt Ball Bearing Flanged Cartridge Unit

### Product Features

- Corrosion-resistant powder coating
- Cast iron housing
- Enhanced life mounting style
- Fixed or Expansion - Up to 13/32 in expansion
- Alignable & relubricatable
- See Features & Benefits for additional info.



### Bearing Dimensions

| Size Code | Shaft Diameter | Expansion   |             | Fixed  |        | A Pilot Diameter | B Bolt Hole Circle Diameter | L Mounting Surface to Collar Face | C   | D    | F       | H       | J       | K     | M     | P       | U     | Y     | Total Axial Expansion | Approx. Weight |
|-----------|----------------|-------------|-------------|--------|--------|------------------|-----------------------------|-----------------------------------|-----|------|---------|---------|---------|-------|-------|---------|-------|-------|-----------------------|----------------|
|           |                | Part Number | Part Number |        |        |                  |                             |                                   |     |      |         |         |         |       |       |         |       |       |                       |                |
| 331       | 1 11/16        | FCEU3K27    | FCU3K27     | 6.000  | 7      | 1 5/16           | 8 1/8                       | 2 17/32                           | 1/2 | 9/16 | 1 13/64 | 2 1/8   | 2 11/16 | 39/64 | 7/8   | 1 23/32 | 1/4   | 14.80 |                       |                |
| 335       | 1 15/16        | FCEU3K31    | FCU3K31     | 6.375  | 7 5/8  | 1 17/64          | 9                           | 2 19/32                           | 5/8 | 5/8  | 1 5/16  | 2 9/32  | 2 31/32 | 25/64 | 15/16 | 1 7/8   | 1/4   | 20.90 |                       |                |
| 344       | 2 3/16         | FCEU3K35    | FCU3K35     | 7.750  | 9      | 1 29/64          | 10 3/8                      | 3 1/32                            | 5/8 | 3/4  | 1 9/16  | 2 27/32 | 3 3/8   | 3/8   | 1 1/8 | 2 1/4   | 13/32 | 30.50 |                       |                |
| 347       | 2 7/16         | FCEU3K39    | FCU3K39     | 8.250  | 9 1/2  | 1 9/16           | 10 7/8                      | 3 3/16                            | 5/8 | 3/4  | 1 5/8   | 3 1/8   | 3 7/8   | 5/16  | 1 1/8 | 2 3/8   | 13/32 | 31.80 |                       |                |
| 356       | 2 15/16        | FCEU3K47    | FCU3K47     | 9.875  | 11 3/8 | 1 5/8            | 12 7/8                      | 3 17/32                           | 3/4 | 7/8  | 1 29/32 | 3 11/16 | 4 13/32 | 7/32  | 1 1/4 | 2 25/32 | 13/32 | 55.00 |                       |                |
| 363       | 3 7/16         | FCEU3K55    | FCU3K55     | 11.000 | 12 1/2 | 1 59/64          | 14                          | 3 31/32                           | 3/4 | 7/8  | 2 1/16  | 4 7/32  | 5 3/16  | 15/64 | 1 3/8 | 3 3/16  | 13/32 | 71.40 |                       |                |

### Additional Notes

- Please call 1-866-REXNORD for availability
- Lubrication fitting tap size, 1/8 in PT
- Pilot Diameter tolerance, +.000 in/-.002 in (+0.00 mm/-0.05 mm)
- Bore tolerance for mounting, +.002 in/-.000 in (+0.05 mm/-0.00 mm)
- 1 11/16 in thru 2 7/16 in shaft sizes also available with dual contact lip seals, add suffix N
- For the Selection Guide, Load Ratings and Speed Limits, see the Link-Belt Heavy Duty Ball Bearing Engineering section

Note: Dimensions subject to change. Certified dimensions of ordered material furnished on request.

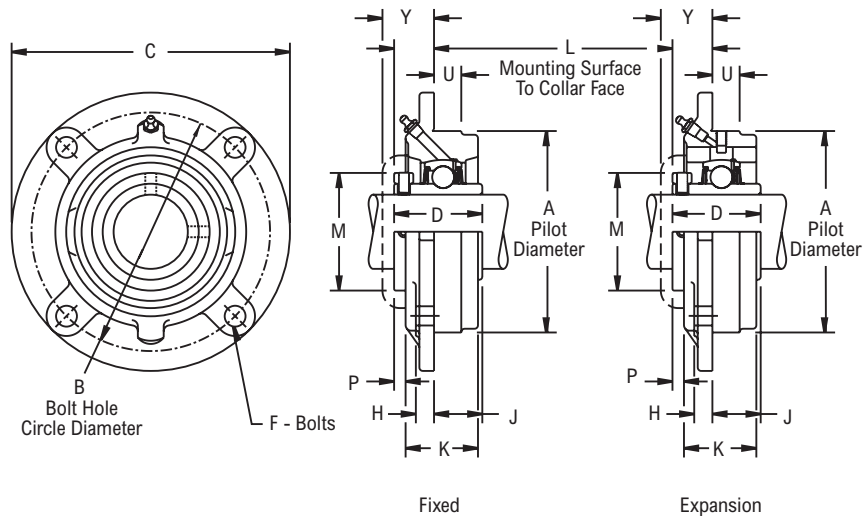
# FCU300, FCEU300



Photo Shows a 4-Bolt Ball Bearing Flanged Cartridge Unit

## Product Features

- Corrosion-resistant powder coating
- Cast iron housing
- Spring locking setscrew mount
- Fixed or Expansion - Up to 13/32 in expansion
- Alignable & relubricatable
- See Features & Benefits for additional info.



## Bearing Dimensions

| Size Code | Shaft Diameter | Expansion / Fixed |             | A Pilot Diameter | B Bolt Hole Circle Diameter | L Mounting Surface to Collar Face | C      | D       | F    | H    | J       | K       | M       | P     | U     | Y       | Total Axial Expansion | Approx. Weight |
|-----------|----------------|-------------------|-------------|------------------|-----------------------------|-----------------------------------|--------|---------|------|------|---------|---------|---------|-------|-------|---------|-----------------------|----------------|
|           |                | Part Number       | Part Number |                  |                             |                                   |        |         |      |      |         |         |         |       |       |         |                       |                |
| 312       | 3/4            | -                 | FCU312      | 3.125            | 3 3/4                       | 21/32                             | 4 1/2  | 1 15/32 | 5/16 | 7/16 | 13/16   | 1 7/32  | 1 5/8   | 13/64 | 1/2   | 55/64   | -                     | 3.00           |
| 316       | 7/8            | -                 | FCU314      | 3.688            | 4 1/2                       | 51/64                             | 5 3/8  | 1 43/64 | 3/8  | 7/16 | 7/8     | 1 5/16  | 2       | 19/64 | 5/8   | 1 3/64  | -                     | 4.50           |
|           | 15/16          | -                 | FCU315      |                  |                             |                                   |        |         |      |      |         |         |         |       |       |         |                       |                |
|           | 1              | -                 | FCU316      |                  |                             |                                   |        |         |      |      |         |         |         |       |       |         |                       |                |
| 319       | 1 1/8          | -                 | FCU318      | 4.125            | 5                           | 61/64                             | 6      | 1 59/64 | 7/16 | 7/16 | 31/32   | 1 7/16  | 2 5/16  | 25/64 | 5/8   | 1 7/32  | -                     | 6.00           |
|           | 1 3/16         | -                 | FCU319      |                  |                             |                                   |        |         |      |      |         |         |         |       |       |         |                       |                |
| 323       | 1 1/4          | FCEU320           | FCU320      | 4.500            | 5 3/8                       | 1                                 | 6 3/8  | 2 3/32  | 7/16 | 7/16 | 1 3/32  | 1 9/16  | 2 9/16  | 7/16  | 5/8   | 1 1/4   | 1/4                   | 7.50           |
|           | 1 3/8          | FCEU322           | FCU322      |                  |                             |                                   |        |         |      |      |         |         |         |       |       |         |                       |                |
|           | 1 7/16         | FCEU323           | FCU323      |                  |                             |                                   |        |         |      |      |         |         |         |       |       |         |                       |                |
| 324       | 1 1/2          | FCEU324           | FCU324      | 5.000            | 6                           | 1 9/64                            | 7 1/8  | 2 5/16  | 1/2  | 1/2  | 1 11/64 | 1 23/32 | 3 1/16  | 1/2   | 5/8   | 1 23/64 | 1/4                   | 10.00          |
|           | 1 5/8          | FCEU326           | FCU326      |                  |                             |                                   |        |         |      |      |         |         |         |       |       |         |                       |                |
| 328       | 1 11/16        | FCEU327           | FCU327      | 5.500            | 6 1/2                       | 1 19/64                           | 7 5/8  | 2 19/32 | 1/2  | 1/2  | 1 19/64 | 1 59/64 | 3 1/4   | 35/64 | 3/4   | 1 19/32 | 1/4                   | 12.20          |
|           | 1 3/4          | FCEU328           | FCU328      |                  |                             |                                   |        |         |      |      |         |         |         |       |       |         |                       |                |
|           | 1 15/16        | FCEU331           | FCU331      |                  |                             |                                   |        |         |      |      |         |         |         |       |       |         |                       |                |
| 331       | 2              | FCEU332           | FCU332      | 6.000            | 7                           | 1 27/64                           | 8 1/8  | 2 13/16 | 1/2  | 9/16 | 1 25/64 | 2 1/8   | 3 7/16  | 9/16  | 7/8   | 1 23/32 | 1/4                   | 15.00          |
|           | 2 1/8          | FCEU334           | FCU334      |                  |                             |                                   |        |         |      |      |         |         |         |       |       |         |                       |                |
| 335       | 2 3/16         | FCEU335           | FCU335      | 6.375            | 7 5/8                       | 1 17/32                           | 9      | 3 1/16  | 5/8  | 5/8  | 1 17/32 | 2 9/32  | 3 15/16 | 21/32 | 15/16 | 1 7/8   | 1/4                   | 19.50          |
|           | 2 1/4          | FCEU336           | FCU336      |                  |                             |                                   |        |         |      |      |         |         |         |       |       |         |                       |                |
| 339       | 2 7/16         | FCEU339           | FCU339      | 6.875            | 8 1/8                       | 1 5/8                             | 9 1/2  | 3 5/16  | 5/8  | 5/8  | 1 11/16 | 2 15/32 | 4 3/16  | 21/32 | 15/16 | 2 1/8   | 1/4                   | 23.50          |
|           | 2 11/16        | FCEU343           | FCU343      |                  |                             |                                   |        |         |      |      |         |         |         |       |       |         |                       |                |
| 344       | 2 3/4          | FCEU344           | FCU344      | 7.750            | 9                           | 1 7/8                             | 10 3/8 | 3 13/16 | 5/8  | 3/4  | 1 15/16 | 2 27/32 | 4 3/4   | 25/32 | 1 1/8 | 2 1/4   | 13/32                 | 32.50          |
|           | 2 15/16        | FCEU347           | FCU347      |                  |                             |                                   |        |         |      |      |         |         |         |       |       |         |                       |                |
| 347       | 2 15/16        | FCEU347           | FCU347      | 8.250            | 9 1/2                       | 2                                 | 10 7/8 | 4 3/32  | 5/8  | 3/4  | 2 3/32  | 3 1/8   | 4 15/16 | 3/4   | 1 1/8 | 2 3/8   | 13/32                 | 37.00          |
|           | 3 7/16         | FCEU355           | FCU355      |                  |                             |                                   |        |         |      |      |         |         |         |       |       |         |                       |                |
| 356       | 3 1/2          | FCEU356           | FCU356      | 9.875            | 11 3/8                      | 2 13/32                           | 12 7/8 | 4 15/16 | 3/4  | 7/8  | 2 17/32 | 3 11/16 | 6       | 1     | 1 1/4 | 2 25/32 | 13/32                 | 64.00          |
|           | 3 15/16        | FCEU363           | FCU363      |                  |                             |                                   |        |         |      |      |         |         |         |       |       |         |                       |                |

## Additional Notes

- Please call 1-866-REXNORD for availability
- Lubrication fitting tap size: for shaft sizes 1 3/16 in and below, 1/4 in-28 UNF: for all other shaft sizes, 1/8 in PT
- Pilot Diameter tolerance, +.000 in/-0.002 in (+0.00 mm/-0.05 mm)
- Bore tolerance for mounting, +.002 in/-0.000 in (+0.05 mm/-0.00 mm)
- 1 1/8 in thru 1 7/16 in & 1 5/8 in thru 2 15/16 in shaft sizes also available with dual contact lip seals, add suffix N

For the Selection Guide, Load Ratings and Speed Limits, see the Link-Belt Heavy Duty Ball Bearing Engineering section  
 Note: Dimensions subject to change. Certified dimensions of ordered material furnished on request.

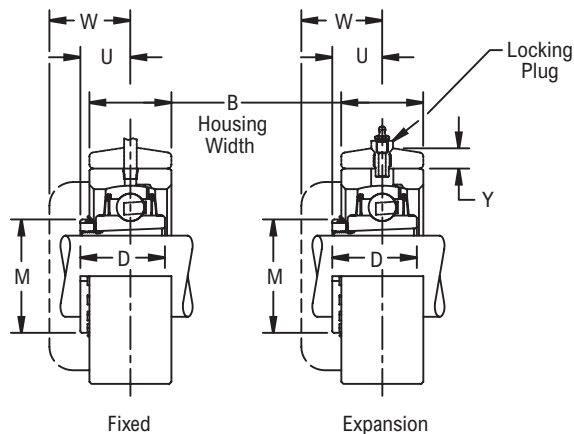
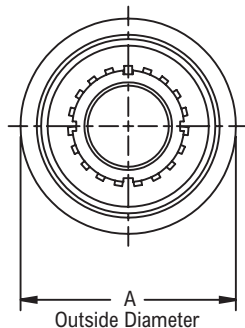
## CU3K00, CEU3K00



Photo Shows a Ball Bearing Cartridge Unit with Steel Housing

### Product Features

- Steel housing
- Enhanced life mounting style
- Fixed or Expansion - Up to 11/32 in expansion
- Alignable & relubricatable
- See Features & Benefits for additional info.



### Bearing Dimensions

| Size Code | Shaft Diameter | Expansion   |             | Fixed       |             | A O.D.  | B Cartridge Housing Width | D       | M       | U     | W     | Y     | Total Axial Expansion | Approx. Weight |
|-----------|----------------|-------------|-------------|-------------|-------------|---------|---------------------------|---------|---------|-------|-------|-------|-----------------------|----------------|
|           |                | Part Number | Part Number | Part Number | Part Number |         |                           |         |         |       |       |       |                       |                |
| 331       | 1 11/16        | CEU3K27     | CU3K27      | 5.0000      | 2 1/32      | 2 17/32 | 2 11/16                   | 1 35/64 | 1 31/32 | 19/32 | 1/4   | 7.70  |                       |                |
| 335       | 1 15/16        | CEU3K31     | CU3K31      | 5.3750      | 2 3/16      | 2 19/32 | 2 31/32                   | 1 37/64 | 2 3/16  | 11/16 | 9/32  | 9.70  |                       |                |
| 344       | 2 3/16         | CEU3K35     | CU3K35      | 6.5620      | 2 3/4       | 3 1/32  | 3 3/8                     | 1 53/64 | 2 5/8   | 13/16 | 7/32  | 17.00 |                       |                |
| 347       | 2 7/16         | CEU3K39     | CU3K39      | 6.9690      | 3           | 3 3/16  | 3 7/8                     | 1 15/16 | 2 3/4   | 13/16 | 7/32  | 19.70 |                       |                |
| 351       | 2 11/16        | CEU3K43     | CU3K43      | 7.5940      | 3 3/16      | 3 5/16  | 4 5/32                    | 2       | 3       | 1     | 11/32 | 26.90 |                       |                |
| 356       | 2 15/16        | CEU3K47     | CU3K47      | 8.3750      | 3 9/16      | 3 17/32 | 4 13/32                   | 2 1/8   | 3 9/32  | 1     | 11/32 | 35.50 |                       |                |
| 363       | 3 7/16         | CEU3K55     | CU3K55      | 9.3750      | 4 1/16      | 3 31/32 | 5 3/16                    | 2 27/64 | 3 11/16 | 1     | 11/32 | 49.50 |                       |                |

### Additional Notes

- Please call 1-866-REXNORD for availability
- Lubrication fitting tap size: for expansion units with shaft sizes 1 15/16 in and below, 1/4 in-28 UNF; for other expansion units and all fixed units, 1/8 in PT
- O.D. tolerance, +.000 in/- .002 in (**+0.00 mm/-0.05 mm**)
- Bore tolerance for mounting, +.002 in/- .000 in (**+0.05 mm/-0.00 mm**)
- 1 11/16 in thru 2 7/16 in shaft sizes also available with dual contact lip seals, add suffix N
- Locking plug thread sizes: for shaft sizes 1 15/16 in and below, 7/16 in-20 UNF; for all other shaft sizes, 5/8 in-18 UNF

For the Selection Guide, Load Ratings and Speed Limits, see the Link-Belt Heavy Duty Ball Bearing Engineering section  
 Note: Dimensions subject to change. Certified dimensions of ordered material furnished on request.



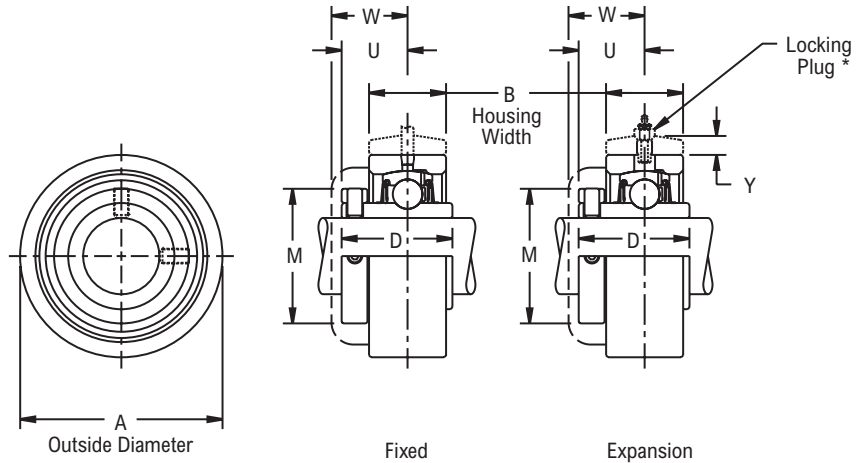
# CU300, CEU300



Photo Shows a Ball Bearing Cartridge Unit with Steel Housing

## Product Features

- Steel housing
- Spring locking setscrew mount
- Fixed or Expansion - Up to 11/32 in expansion
- Alignable & relubricatable
- See Features & Benefits for additional info.



## Bearing Dimensions

| Size Code | Shaft Diameter | Expansion   |             | Fixed  |         | A O.D.  | B Cartridge Housing Width | D       | M       | U     | W     | Y     | Total Axial Expansion | Approx. Weight |
|-----------|----------------|-------------|-------------|--------|---------|---------|---------------------------|---------|---------|-------|-------|-------|-----------------------|----------------|
|           |                | Part Number | Part Number |        |         |         |                           |         |         |       |       |       |                       |                |
| 312       | 3/4            | CEU312      | CU312       | 2.4690 | 1 5/32  | 1 15/32 | 1 5/8                     | 27/32   | 1 3/64  | 3/8   | 3/16  | 1.20  |                       |                |
|           | 7/8            | CEU314      | CU314       |        |         |         |                           |         |         |       |       |       |                       |                |
| 316       | 15/16          | CEU315      | CU315       | 3.0000 | 1 1/4   | 1 43/64 | 2                         | 63/64   | 1 15/64 | 3/8   | 3/16  | 2.00  |                       |                |
|           | 1              | CEU316      | CU316       |        |         |         |                           |         |         |       |       |       |                       |                |
| 319       | 1 1/8          | CEU318      | CU318       | 3.4380 | 1 3/8   | 1 59/64 | 2 5/16                    | 1 9/64  | 1 13/32 | 13/32 | 3/16  | 2.70  |                       |                |
|           | 1 3/16         | CEU319      | CU319       |        |         |         |                           |         |         |       |       |       |                       |                |
| 323       | 1 1/4          | CEU320      | CU320       | 3.7500 | 1 1/2   | 2 3/32  | 2 9/16                    | 1 1/4   | 1 1/2   | 9/16  | 3/16  | 3.50  |                       |                |
|           | 1 3/8          | CEU322      | CU322       |        |         |         |                           |         |         |       |       |       |                       |                |
| 324       | 1 7/16         | CEU323      | CU323       | 4.1880 | 1 21/32 | 2 5/16  | 3 1/16                    | 1 25/64 | 1 39/64 | 9/16  | 3/16  | 5.00  |                       |                |
|           | 1 1/2          | CEU324      | CU324       |        |         |         |                           |         |         |       |       |       |                       |                |
| 328       | 1 5/8          | CEU326      | CU326       | 4.5940 | 1 27/32 | 2 19/32 | 3 1/4                     | 1 35/64 | 1 27/32 | 9/16  | 3/16  | 6.50  |                       |                |
|           | 1 11/16        | CEU327      | CU327       |        |         |         |                           |         |         |       |       |       |                       |                |
| 331       | 1 3/4          | CEU328      | CU328       | 5.0000 | 2 1/32  | 2 13/16 | 3 7/16                    | 1 43/64 | 1 31/32 | 19/32 | 1/4   | 7.70  |                       |                |
|           | 2              | CEU331      | CU331       |        |         |         |                           |         |         |       |       |       |                       |                |
| 335       | 2              | CEU332      | CU332       | 5.3750 | 2 3/16  | 3 1/16  | 3 15/16                   | 1 27/32 | 2 3/16  | 11/16 | 9/32  | 9.70  |                       |                |
|           | 2 1/8          | CEU334      | CU334       |        |         |         |                           |         |         |       |       |       |                       |                |
| 339       | 2 3/16         | CEU335      | CU335       | 5.7810 | 2 3/8   | 3 5/16  | 4 3/16                    | 1 15/16 | 2 7/16  | 23/32 | 9/32  | 12.00 |                       |                |
|           | 2 1/4          | CEU336      | CU336       |        |         |         |                           |         |         |       |       |       |                       |                |
| 344       | 2 7/16         | CEU339      | CU339       | 6.5620 | 2 3/4   | 3 13/16 | 4 3/4                     | 2 1/4   | 2 5/8   | 13/16 | 7/32  | 17.00 |                       |                |
|           | 2 11/16        | CEU343      | CU343       |        |         |         |                           |         |         |       |       |       |                       |                |
| 347       | 2 3/4          | CEU344      | CU344       | 6.9690 | 3       | 4 3/32  | 4 15/16                   | 2 3/8   | 2 3/4   | 13/16 | 7/32  | 19.70 |                       |                |
|           | 2 15/16        | CEU347      | CU347       |        |         |         |                           |         |         |       |       |       |                       |                |
| 351       | 3              | CEU348      | CU348       | 7.5940 | 3 3/16  | 4 13/32 | 5 11/16                   | 2 19/32 | 3       | 1     | 11/32 | 26.90 |                       |                |
|           | 3 3/16         | CEU351      | CU351       |        |         |         |                           |         |         |       |       |       |                       |                |
| 356       | 3 7/16         | CEU355      | CU355       | 8.3750 | 3 9/16  | 4 15/16 | 6                         | 2 29/32 | 3 9/32  | 1     | 11/32 | 35.50 |                       |                |
|           | 3 1/2          | CEU356      | CU356       |        |         |         |                           |         |         |       |       |       |                       |                |
| 363       | 3 15/16        | CEU363      | CU363       | 9.3750 | 4 1/16  | 5 9/16  | 7                         | 3 9/32  | 3 11/16 | 1     | 11/32 | 49.50 |                       |                |

## Additional Notes

- Please call 1-866-REXNORD for availability
- Lubrication fitting tap size: for expansion units with shaft sizes 2 7/16 in and below, 1/4 in-28 UNF; for other expansion units and all fixed units, 1/8 in PT
- O.D. tolerance, +.000 in/-0.002 in (+0.00 mm/-0.05 mm)
- Bore tolerance for mounting, +.002 in/-0.000 in (+0.05 mm/-0.00 mm)
- 1 1/8 in thru 1 7/16 in & 1 5/8 in thru 2 15/16 in shaft sizes also available with dual contact lip seals, add suffix N

- Locking plug thread sizes: for shaft sizes 2 7/16 in and below, 7/16 in-20 UNF; for all other shaft sizes, 5/8 in-18 UNF
- For the Selection Guide, Load Ratings and Speed Limits, see the Link-Belt Heavy Duty Ball Bearing Engineering section
- Note: Dimensions subject to change. Certified dimensions of ordered material furnished on request.

TU300

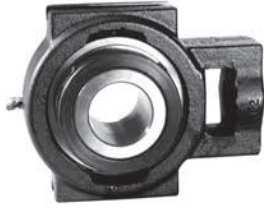
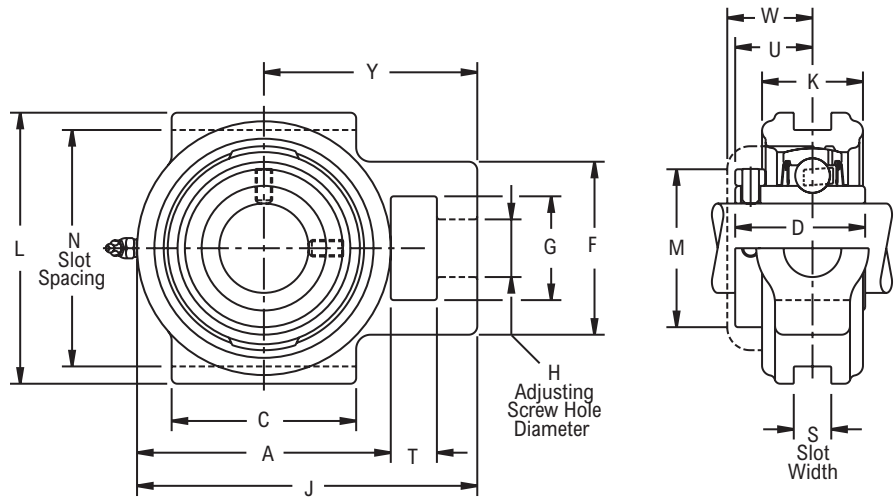


Photo Shows a Ball Bearing Take-Up Unit

Product Features

- Corrosion-resistant powder coating
- Cast iron housing
- Spring locking setscrew mount
- Alignable & relubricatable
- Machined slots
- See Features & Benefits for additional info.



Bearing Dimensions

| Size Code | Shaft Diameter | Part Number | H Adjusting Screw Hole Diameter | N Slot Spacing | S Slot Width | A       | C     | D       | F      | G       | J      | K       | L     | M       | T     | U       | W       | Y       | Approx. Weight |
|-----------|----------------|-------------|---------------------------------|----------------|--------------|---------|-------|---------|--------|---------|--------|---------|-------|---------|-------|---------|---------|---------|----------------|
| 316       | 7/8            | TU314       | 3/4                             | 3.000          | 0.531        | 3 5/16  | 2 1/4 | 1 43/64 | 2      | 1 1/4   | 4 3/8  | 1 3/8   | 3 5/8 | 2       | 5/8   | 63/64   | 1 15/64 | 2 3/4   | 3.20           |
|           | 15/16          | TU315       |                                 |                |              |         |       |         |        |         |        |         |       |         |       |         |         |         |                |
|           | 1              | TU316       |                                 |                |              |         |       |         |        |         |        |         |       |         |       |         |         |         |                |
| 323       | 1 1/4          | TU320       | 7/8                             | 3.500          | 0.531        | 4       | 2 3/4 | 2 3/32  | 2 3/8  | 1 7/16  | 5 1/4  | 1 5/8   | 4 1/8 | 2 9/16  | 5/8   | 1 1/4   | 1 1/2   | 3 1/4   | 5.50           |
|           | 1 3/8          | TU322       |                                 |                |              |         |       |         |        |         |        |         |       |         |       |         |         |         |                |
|           | 1 7/16         | TU323       |                                 |                |              |         |       |         |        |         |        |         |       |         |       |         |         |         |                |
| 324       | 1 1/2          | TU324       | 1 1/8                           | 4.125          | 0.687        | 4 5/8   | 3 1/4 | 2 5/16  | 3 3/16 | 1 15/16 | 6 1/8  | 1 25/32 | 4 7/8 | 3 1/16  | 3/4   | 1 25/64 | 1 39/64 | 3 13/16 | 8.50           |
| 331       | 1 15/16        | TU331       | 1 1/4                           | 5.125          | 0.812        | 5 1/2   | 4     | 2 13/16 | 3 3/4  | 2 1/4   | 7 3/8  | 2 3/16  | 5 7/8 | 3 7/16  | 1     | 1 43/64 | 1 31/32 | 4 5/8   | 13.70          |
|           | 2              | TU332       | 1 1/4                           | 5.500          | 0.812        | 5 13/16 | 4 1/8 | 3 1/16  | 3 3/4  | 2 1/4   | 7 3/4  | 2 3/8   | 6 1/4 | 3 15/16 | 1     | 1 27/32 | 2 3/16  | 4 27/32 | 17.20          |
| 2 3/16    | TU335          |             |                                 |                |              |         |       |         |        |         |        |         |       |         |       |         |         |         |                |
| 339       | 2 1/4          | TU336       |                                 |                |              |         |       |         |        |         |        |         |       |         |       |         |         |         |                |
|           | 2 7/16         | TU339       | 1 5/8                           | 7.500          | 1.312        | 8       | 5 3/4 | 4 3/32  | 4 3/4  | 2 3/4   | 10 1/2 | 3 1/4   | 8 1/4 | 4 15/16 | 1 1/4 | 2 3/8   | 2 3/4   | 6 1/2   | 37.50          |
| 2 15/16   | TU347          |             |                                 |                |              |         |       |         |        |         |        |         |       |         |       |         |         |         |                |

Additional Notes

- Please call 1-866-REXNORD for availability
- Lubrication fitting tap size, 1/8 in PT
- Take-up slot spacing & width tolerance, +.000 in/-.015 in (+0.00 mm/-0.38 mm)
- 1 1/8 in thru 1 7/16 in & 1 5/8 in thru 2 15/16 in shaft sizes also available with dual contact lip seals, add suffix N
- For the Selection Guide, Load Ratings and Speed Limits, see the Link-Belt Heavy Duty Ball Bearing Engineering section
- Note: Dimensions subject to change. Certified dimensions of ordered material furnished on request.

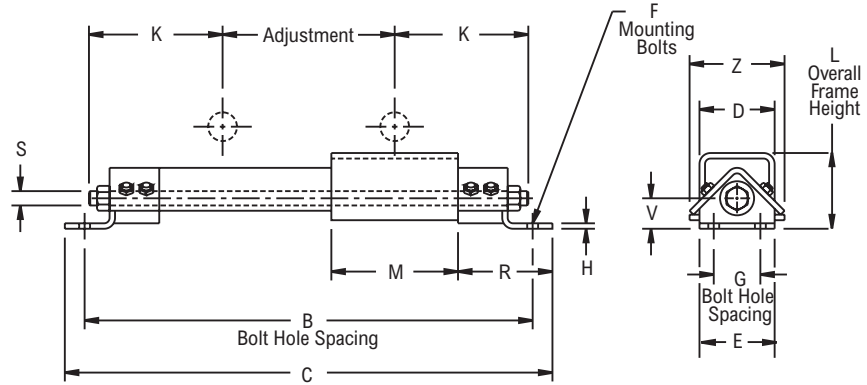
# LHD\_FRAME



Photo Shows a Protected Screw Type Frame

## Product Features

- Protected screw type frame
- Welded steel frame



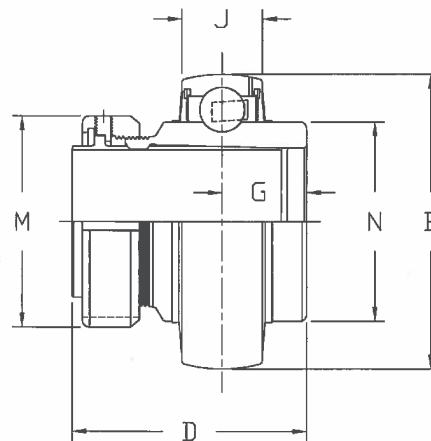
## Bearing Dimensions

| Size Code | Shaft Size     | Part Number | Adjustment Length | B Bolt Hole Spacing | G Bolt Hole Spacing in Width Direction | L Overall Frame Height | C      | D     | E     | F   | H   | K      | M      | R     | S     | V      | Z       | Approx. Weight |
|-----------|----------------|-------------|-------------------|---------------------|--|------------------------|--------|-------|-------|-----|-----|--------|--------|-------|-------|--------|---------|----------------|
| LHD20     | 7/8-1 15/16    | LHD2012     | 12                | 29                  | 2 1/2                                  | 5 1/4                  | 31     | 4     | 5     | 5/8 | 1/4 | 8 1/2  | 11     | 4     | 3/4   | 2      | 6 1/4   | 48.00          |
|           |                | LHD2018     | 18                | 35                  |  |                        | 37     |       |       |     |     |        |        |       |       |        |         | 52.00          |
|           |                | LHD2024     | 24                | 41                  |  |                        | 43     |       |       |     |     |        |        |       |       |        |         | 56.00          |
|           |                | LHD2030     | 30                | 47                  |  |                        | 49     |       |       |     |     |        |        |       |       |        |         | 65.00          |
|           |                | LHD2036     | 36                | 53                  |  |                        | 55     |       |       |     |     |        |        |       |       |        |         | 70.00          |
|           |                | LHD2048     | 48                | 65                  |  |                        | 67     |       |       |     |     |        |        |       |       |        |         | 81.00          |
| LHD25     | 2-2 3/16       | LHD2512     | 12                | 32 3/4              | 3                                      | 6 1/4                  | 35 1/4 | 5     | 5 1/2 | 5/8 | 3/8 | 10 3/8 | 13 1/4 | 5     | 1     | 2 9/16 | 7 1/8   | 81.00          |
|           |                | LHD2518     | 18                | 38 3/4              |  |                        | 41 1/4 |       |       |     |     |        |        |       |       |        |         | 100.00         |
|           |                | LHD2524     | 24                | 44 3/4              |  |                        | 47 1/4 |       |       |     |     |        |        |       |       |        |         | 110.00         |
|           |                | LHD2530     | 30                | 50 3/4              |  |                        | 53 1/4 |       |       |     |     |        |        |       |       |        |         | 115.00         |
|           |                | LHD2536     | 36                | 56 3/4              |  |                        | 59 1/4 |       |       |     |     |        |        |       |       |        |         | 120.00         |
|           |                | LHD2548     | 48                | 68 3/4              |  |                        | 71 1/4 |       |       |     |     |        |        |       |       |        |         | 127.00         |
| LHD30     | 2 1/4-2 7/16   | LHD3012     | 12                | 35 1/2              | 3                                      | 7                      | 38 1/4 | 6     | 6 1/2 | 3/4 | 1/2 | 11 3/4 | 14 1/4 | 6     | 1     | 2 1/2  | 9       | 158.00         |
|           |                | LHD3018     | 18                | 41 1/2              |  |                        | 44 1/4 |       |       |     |     |        |        |       |       |        |         | 162.00         |
|           |                | LHD3024     | 24                | 47 1/2              |  |                        | 50 1/4 |       |       |     |     |        |        |       |       |        |         | 166.00         |
|           |                | LHD3030     | 30                | 53 1/2              |  |                        | 56 1/4 |       |       |     |     |        |        |       |       |        |         | 173.00         |
|           |                | LHD3036     | 36                | 59 1/2              |  |                        | 62 1/4 |       |       |     |     |        |        |       |       |        |         | 183.00         |
|           |                | LHD3048     | 48                | 71 1/2              |  |                        | 74 1/4 |       |       |     |     |        |        |       |       |        |         | 214.00         |
| LHD35     | 2 11/16-3 3/16 | LHD3512     | 12                | 37 1/4              | 3                                      | 7                      | 40     | 6     | 6 1/2 | 3/4 | 1/2 | 12 5/8 | 16     | 6     | 1 1/4 | 2 1/2  | 9       | 173.00         |
|           |                | LHD3518     | 18                | 43 1/4              |  |                        | 46     |       |       |     |     |        |        |       |       |        |         | 190.00         |
|           |                | LHD3524     | 24                | 49 1/4              |  |                        | 52     |       |       |     |     |        |        |       |       |        |         | 195.00         |
|           |                | LHD3530     | 30                | 55 1/4              |  |                        | 58     |       |       |     |     |        |        |       |       |        |         | 200.00         |
|           |                | LHD3536     | 36                | 61 1/4              |  |                        | 64     |       |       |     |     |        |        |       |       |        |         | 210.00         |
|           |                | LHD3548     | 48                | 73 1/4              |  |                        | 76     |       |       |     |     |        |        |       |       |        |         | 234.00         |
| LHD40     | 3 7/16-3 15/16 | LHD4012     | 12                | 41 1/4              | 3                                      | 7                      | 44     | 7     | 6 1/2 | 3/4 | 1/2 | 14 5/8 | 20     | 6     | 1 1/2 | 2 1/2  | 9 13/16 | 175.00         |
|           |                | LHD4018     | 18                | 47 1/4              |  |                        | 50     |       |       |     |     |        |        |       |       |        |         | 220.00         |
|           |                | LHD4024     | 24                | 53 1/4              |  |                        | 56     |       |       |     |     |        |        |       |       |        |         | 265.00         |
|           |                | LHD4030     | 30                | 59 1/4              |  |                        | 62     |       |       |     |     |        |        |       |       |        |         | 270.00         |
|           |                | LHD4036     | 36                | 65 1/4              |  |                        | 68     |       |       |     |     |        |        |       |       |        |         | 290.00         |
|           |                | LHD4048     | 48                | 77 1/4              |  |                        | 80     |       |       |     |     |        |        |       |       |        |         | 300.00         |
| LHD50     | -              | LHD5012     | 12                | 47                  | 4                                      | 7 3/4                  | 49 1/2 | 8 1/2 | 7     | 7/8 | 1/2 | 17 1/2 | 23 1/2 | 6 3/4 | 1 1/2 | 3 3/8  | 11 1/4  | 290.00         |
|           |                | LHD5018     | 18                | 53                  |  |                        | 55 1/2 |       |       |     |     |        |        |       |       |        |         | 300.00         |
|           |                | LHD5024     | 24                | 59                  |  |                        | 61 1/2 |       |       |     |     |        |        |       |       |        |         | 325.00         |
|           |                | LHD5030     | 30                | 65                  |  |                        | 67 1/2 |       |       |     |     |        |        |       |       |        |         | 330.00         |
|           |                | LHD5036     | 36                | 71                  |  |                        | 73 1/2 |       |       |     |     |        |        |       |       |        |         | 350.00         |
|           |                | LHD5048     | 48                | 83                  |  |                        | 85 1/2 |       |       |     |     |        |        |       |       |        |         | 360.00         |

## Additional Notes

Please call 1-866-REXNORD for availability  
 Note: Dimensions subject to change. Certified dimensions of ordered material furnished on request.

## AG300L



## Product Features

- Spyglass™ Optical Strain Sensor (OSS) Technology
- Positive locking system
- Tapered adapter sleeve
- Enhanced life mounting style
- Sealed & relubricatable
- Alignable spherical O.D.
- See Features & Benefits for additional info.

## Bearing Dimensions

| Size Code | Shaft Diameter                  | Part Number | B O.D. | J Outer Ring Width | D                               | G                               | M                               | N     | Shipping Weight |
|-----------|---------------------------------|-------------|--------|--------------------|---------------------------------|---------------------------------|---------------------------------|-------|-----------------|
| 319       | 1 <sup>3</sup> / <sub>16</sub>  | AG319L      | 2.8346 | 0.9449             | 2 <sup>3</sup> / <sub>4</sub>   | <sup>25</sup> / <sub>32</sub>   | 2 <sup>5</sup> / <sub>32</sub>  | 1.708 | 1.50            |
| 323       | 1 <sup>7</sup> / <sub>16</sub>  | AG323L      | 3.1496 | 1.0236             | 2 <sup>47</sup> / <sub>64</sub> | <sup>27</sup> / <sub>32</sub>   | 2 <sup>3</sup> / <sub>8</sub>   | 1.946 | 1.90            |
| 328       | 1 <sup>11</sup> / <sub>16</sub> | AG327L      | 3.937  | 1.1811             | 3 <sup>1</sup> / <sub>8</sub>   | <sup>59</sup> / <sub>64</sub>   | 2 <sup>41</sup> / <sub>64</sub> | 2.443 | 3.80            |
| 331       | 1 <sup>15</sup> / <sub>16</sub> | AG331L      | 4.3307 | 1.2598             | 3 <sup>7</sup> / <sub>32</sub>  | 1 <sup>9</sup> / <sub>64</sub>  | 2 <sup>55</sup> / <sub>64</sub> | 2.701 | 5.00            |
| 335       | 2 <sup>3</sup> / <sub>16</sub>  | AG335L      | 4.7244 | 1.3386             | 3 <sup>23</sup> / <sub>64</sub> | 1 <sup>7</sup> / <sub>32</sub>  | 3 <sup>15</sup> / <sub>64</sub> | 2.959 | 6.00            |
| 339       | 2 <sup>7</sup> / <sub>16</sub>  | AG339L      | 5.1181 | 1.4173             | 3 <sup>27</sup> / <sub>32</sub> | 1 <sup>3</sup> / <sub>8</sub>   | 3 <sup>19</sup> / <sub>32</sub> | 3.216 | 7.50            |
| 344       | 2 <sup>11</sup> / <sub>16</sub> | AG343L      | 5.9055 | 1.6142             | 4 <sup>1</sup> / <sub>4</sub>   | 1 <sup>9</sup> / <sub>16</sub>  | 4 <sup>3</sup> / <sub>32</sub>  | 3.732 | 11.50           |
|           | 2 <sup>3</sup> / <sub>4</sub>   | AG344L      |        |                    |                                 |                                 |                                 |       |                 |
| 347       | 2 <sup>15</sup> / <sub>16</sub> | AG347L      | 6.2992 | 1.6929             | 4 <sup>17</sup> / <sub>32</sub> | 1 <sup>23</sup> / <sub>32</sub> | 4 <sup>3</sup> / <sub>32</sub>  | 3.990 | 13.00           |
| 351       | 3 <sup>3</sup> / <sub>16</sub>  | AG351L      | 6.6929 | 1.7717             | 5 <sup>1</sup> / <sub>2</sub>   | 1 <sup>13</sup> / <sub>16</sub> | 4 <sup>61</sup> / <sub>64</sub> | 4.247 | 17.00           |
| 356       | 3 <sup>7</sup> / <sub>16</sub>  | AG355L      | 7.4806 | 1.9291             | 5 <sup>23</sup> / <sub>64</sub> | 2 <sup>1</sup> / <sub>32</sub>  | 4 <sup>61</sup> / <sub>64</sub> | 4.763 | 23.50           |
| 363       | 3 <sup>15</sup> / <sub>16</sub> | AG363L      | 8.4646 | 2.1654             | 5 <sup>29</sup> / <sub>32</sub> | 2 <sup>9</sup> / <sub>32</sub>  | 5 <sup>43</sup> / <sub>64</sub> | 5.339 | 33.00           |

## Additional Notes

Please call 1-866-REXNORD for availability  
 1 11/16 in thru 2 7/16 in shaft sizes also available with dual contact lip seals, add suffix N  
 For the Selection Guide, Load Ratings and Speed Limits, see the Link-Belt Heavy Duty Ball Bearing Engineering section

Note: Dimensions subject to change. Certified dimensions of ordered material furnished on request.

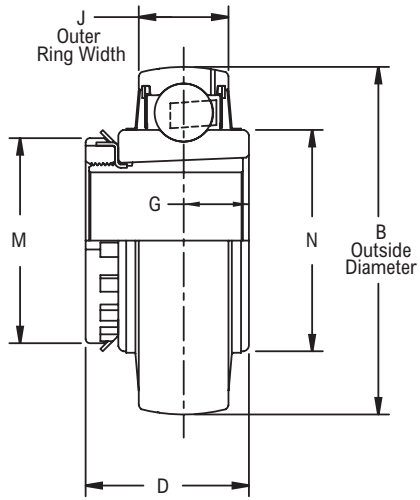
# UG3K00L



Photo Shows an Unmounted Ball Bearing Unit

## Product Features

- Enhanced life mounting style
- Sealed & relubricatable
- Alignable spherical O.D.
- See Features & Benefits for additional info.



## Bearing Dimensions

| Size Code | Shaft Diameter | Part Number | B O.D. | J Outer Ring Width | D       | G       | M       | N     | Approx. Weight |
|-----------|----------------|-------------|--------|--------------------|---------|---------|---------|-------|----------------|
| 331       | 1 11/16        | UG3K27L     | 4.3307 | 1.2598             | 2 19/32 | 31/32   | 2 11/16 | 2.702 | 5.70           |
| 335       | 1 15/16        | UG3K31L     | 4.7244 | 1.3386             | 2 13/16 | 1       | 2 31/32 | 2.959 | 6.60           |
| 344       | 2 3/16         | UG3K35L     | 5.9055 | 1.6142             | 3 1/16  | 1 3/16  | 3 3/8   | 3.732 | 11.50          |
| 347       | 2 7/16         | UG3K39L     | 6.2992 | 1.6929             | 3 5/16  | 1 1/4   | 3 7/8   | 3.990 | 14.40          |
| 351       | 2 11/16        | UG3K43L     | 6.6929 | 1.7717             | 3 13/16 | 1 5/16  | 4 5/32  | 4.247 | 21.50          |
| 356       | 2 15/16        | UG3K47L     | 7.4806 | 1.9291             | 4 3/32  | 1 13/32 | 4 13/32 | 4.763 | 23.50          |
| 363       | 3 7/16         | UG3K55L     | 8.4646 | 2.1654             | 4 15/16 | 1 9/16  | 5 3/16  | 5.339 | 33.00          |

## Additional Notes

- Please call 1-866-REXNORD for availability
- 1 11/16 in thru 2 7/16 in shaft sizes also available with dual contact lip seals, add suffix N
- For the Selection Guide, Load Ratings and Speed Limits, see the Link-Belt Heavy Duty Ball Bearing Engineering section
- Note: Dimensions subject to change. Certified dimensions of ordered material furnished on request.

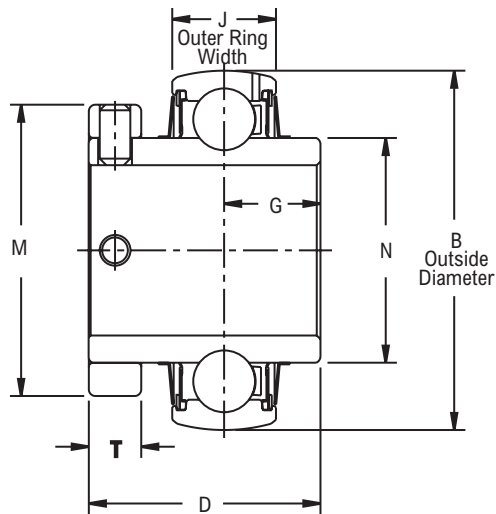
## UG300L



Photo Shows an Unmounted Ball Bearing Unit

### Product Features

- Spring locking setscrew mount
- Sealed & relubricatable
- Alignable spherical O.D.
- See Features & Benefits for additional info.



### Bearing Dimensions

| Size Code | Shaft Diameter    | Part Number | B O.D. | J Outer Ring Width | D                 | G                 | M                 | N     | T               | Approx. Weight |
|-----------|-------------------|-------------|--------|--------------------|-------------------|-------------------|-------------------|-------|-----------------|----------------|
| 312       | $\frac{3}{4}$     | UG312L      | 2.0472 | 0.7874             | $1 \frac{15}{32}$ | $\frac{5}{8}$     | $1 \frac{5}{8}$   | 1.194 | $\frac{11}{32}$ | 1.00           |
| 316       | $\frac{7}{8}$     | UG314L      | 2.4409 | 0.8661             | $1 \frac{43}{64}$ | $\frac{11}{16}$   | 2                 | 1.451 | $\frac{13}{32}$ | 1.50           |
|           | $\frac{15}{16}$   | UG315L      |        |                    |                   |                   |                   |       |                 |                |
|           | 1                 | UG316L      |        |                    |                   |                   |                   |       |                 |                |
| 319       | $1 \frac{1}{8}$   | UG318L      | 2.8346 | 0.9449             | $1 \frac{59}{64}$ | $\frac{25}{32}$   | $2 \frac{5}{16}$  | 1.708 | $\frac{1}{2}$   | 1.70           |
|           | $1 \frac{3}{16}$  | UG319L      |        |                    |                   |                   |                   |       |                 |                |
| 323       | $1 \frac{1}{4}$   | UG320L      | 3.1496 | 1.0236             | $2 \frac{3}{32}$  | $\frac{27}{32}$   | $2 \frac{9}{16}$  | 1.946 | $\frac{1}{2}$   | 2.10           |
|           | $1 \frac{3}{8}$   | UG322L      |        |                    |                   |                   |                   |       |                 |                |
|           | $1 \frac{7}{16}$  | UG323L      |        |                    |                   |                   |                   |       |                 |                |
| 324       | $1 \frac{1}{2}$   | UG324L      | 3.5433 | 1.1024             | $2 \frac{5}{16}$  | $\frac{59}{64}$   | $3 \frac{1}{16}$  | 2.204 | $\frac{9}{16}$  | 2.90           |
|           | $1 \frac{5}{8}$   | UG326L      |        |                    |                   |                   |                   |       |                 |                |
|           | $1 \frac{11}{16}$ | UG327L      |        |                    |                   |                   |                   |       |                 |                |
| 328       | $1 \frac{3}{4}$   | UG328L      | 3.9370 | 1.1811             | $2 \frac{19}{32}$ | $1 \frac{3}{64}$  | $3 \frac{1}{2}$   | 2.443 | $\frac{5}{8}$   | 3.95           |
|           | $1 \frac{7}{8}$   | UG329L      |        |                    |                   |                   |                   |       |                 |                |
| 331       | $1 \frac{15}{16}$ | UG331L      | 4.3307 | 1.2598             | $2 \frac{13}{16}$ | $1 \frac{9}{64}$  | $3 \frac{7}{16}$  | 2.701 | $\frac{21}{32}$ | 4.70           |
|           | 2                 | UG332L      |        |                    |                   |                   |                   |       |                 |                |
| 335       | $2 \frac{1}{8}$   | UG334L      | 4.7244 | 1.3386             | $3 \frac{1}{16}$  | $1 \frac{7}{32}$  | $3 \frac{15}{16}$ | 2.959 | $\frac{3}{4}$   | 6.60           |
|           | $2 \frac{3}{16}$  | UG335L      |        |                    |                   |                   |                   |       |                 |                |
| 339       | $2 \frac{1}{4}$   | UG336L      | 5.1181 | 1.4173             | $3 \frac{5}{16}$  | $1 \frac{3}{8}$   | $4 \frac{3}{16}$  | 3.216 | $\frac{3}{4}$   | 7.95           |
|           | $2 \frac{7}{16}$  | UG339L      |        |                    |                   |                   |                   |       |                 |                |
| 344       | $2 \frac{11}{16}$ | UG343L      | 5.9055 | 1.6142             | $3 \frac{13}{16}$ | $1 \frac{9}{16}$  | $4 \frac{3}{4}$   | 3.732 | $\frac{7}{8}$   | 11.50          |
|           | $2 \frac{3}{4}$   | UG344L      |        |                    |                   |                   |                   |       |                 |                |
| 347       | $2 \frac{15}{16}$ | UG347L      | 6.2992 | 1.6929             | $4 \frac{3}{32}$  | $1 \frac{23}{32}$ | $4 \frac{15}{16}$ | 3.990 | $\frac{7}{8}$   | 13.00          |
| 351       | 3                 | UG348L      | 6.6929 | 1.7717             | $4 \frac{13}{32}$ | $1 \frac{13}{16}$ | $5 \frac{11}{16}$ | 4.247 | 1               | 18.00          |
|           | $3 \frac{3}{16}$  | UG351L      |        |                    |                   |                   |                   |       |                 |                |
| 356       | $3 \frac{7}{16}$  | UG355L      | 7.4806 | 1.9291             | $4 \frac{15}{16}$ | $2 \frac{1}{32}$  | 6                 | 4.763 | $1 \frac{1}{8}$ | 23.50          |
|           | $3 \frac{1}{2}$   | UG356L      |        |                    |                   |                   |                   |       |                 |                |
| 363       | $3 \frac{15}{16}$ | UG363L      | 8.4646 | 2.1654             | $5 \frac{9}{16}$  | $2 \frac{9}{32}$  |                   | 5.339 | $1 \frac{1}{4}$ | 33.00          |

### Additional Notes

- Please call 1-866-REXNORD for availability
- $1 \frac{1}{8}$  in thru  $1 \frac{7}{16}$  in &  $1 \frac{5}{8}$  in thru  $2 \frac{15}{16}$  in shaft sizes also available with dual contact lip seals, add suffix N
- For the Selection Guide, Load Ratings and Speed Limits, see the Link-Belt Heavy Duty Ball Bearing Engineering section
- Note: Dimensions subject to change. Certified dimensions of ordered material furnished on request.

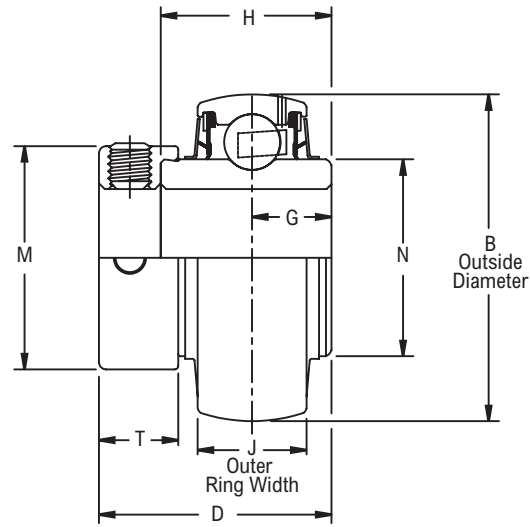
# YG300



Photo Shows an Unmounted Ball Bearing Unit

## Product Features

- Eccentric cam locking device
- Sealed & relubricatable
- Alignable spherical O.D.
- See Features & Benefits for additional info.



## Bearing Dimensions

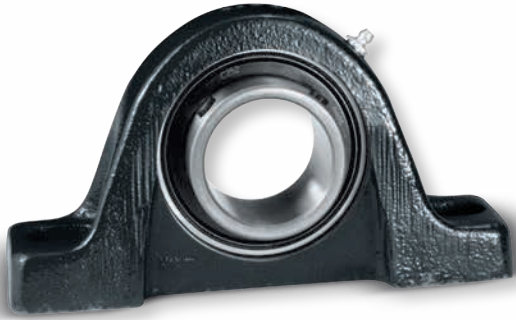
| Size Code | Shaft Diameter                  | Part Number | B O.D. | J Outer Ring Width | D                               | G                               | H    | M                               | N     | T                              | Approx. Weight |
|-----------|---------------------------------|-------------|--------|--------------------|---------------------------------|---------------------------------|------|---------------------------------|-------|--------------------------------|----------------|
| 319       | 1 <sup>3</sup> / <sub>16</sub>  | YG319NL     | 2.8346 | 0.9449             | 2 <sup>1</sup> / <sub>32</sub>  | <sup>25</sup> / <sub>32</sub>   | 1.48 | 1 <sup>15</sup> / <sub>16</sub> | 1.708 | <sup>11</sup> / <sub>16</sub>  | 1.70           |
| 323       | 1 <sup>7</sup> / <sub>16</sub>  | YG323NL     | 3.1496 | 1.0236             | 2 <sup>5</sup> / <sub>32</sub>  | <sup>27</sup> / <sub>32</sub>   | 1.62 | 2 <sup>3</sup> / <sub>16</sub>  | 1.946 | <sup>11</sup> / <sub>16</sub>  | 2.10           |
| 328       | 1 <sup>11</sup> / <sub>16</sub> | YG327NL     | 3.9370 | 1.1811             | 2 <sup>9</sup> / <sub>16</sub>  | 1 <sup>3</sup> / <sub>64</sub>  | 1.94 | 2 <sup>3</sup> / <sub>4</sub>   | 2.443 | <sup>13</sup> / <sub>16</sub>  | 3.95           |
| 331       | 1 <sup>15</sup> / <sub>16</sub> | YG331NL     | 4.3307 | 1.2598             | 2 <sup>25</sup> / <sub>32</sub> | 1 <sup>9</sup> / <sub>64</sub>  | 2.08 | 3                               | 2.701 | <sup>7</sup> / <sub>8</sub>    | 4.70           |
| 335       | 2 <sup>3</sup> / <sub>16</sub>  | YG335NL     | 4.7244 | 1.3386             | 2 <sup>15</sup> / <sub>16</sub> | 1 <sup>7</sup> / <sub>32</sub>  | 2.24 | 3 <sup>1</sup> / <sub>4</sub>   | 2.959 | <sup>7</sup> / <sub>8</sub>    | 6.60           |
| 339       | 2 <sup>7</sup> / <sub>16</sub>  | YG339NL     | 5.1181 | 1.4173             | 3 <sup>5</sup> / <sub>32</sub>  | 1 <sup>3</sup> / <sub>8</sub>   | 2.47 | 3 <sup>1</sup> / <sub>2</sub>   | 3.216 | <sup>15</sup> / <sub>16</sub>  | 7.95           |
| 344       | 2 <sup>11</sup> / <sub>16</sub> | YG343NL     | 5.9055 | 1.6142             | 3 <sup>9</sup> / <sub>16</sub>  | 1 <sup>9</sup> / <sub>16</sub>  | 2.74 | 4                               | 3.732 | 1 <sup>1</sup> / <sub>16</sub> | 11.50          |
| 347       | 2 <sup>15</sup> / <sub>16</sub> | YG347NL     | 6.2992 | 1.6929             | 3 <sup>15</sup> / <sub>16</sub> | 1 <sup>23</sup> / <sub>32</sub> | 2.93 | 4 <sup>7</sup> / <sub>16</sub>  | 3.990 | 1 <sup>1</sup> / <sub>4</sub>  | 13.00          |

## Additional Notes

- Please call 1-866-REXNORD for availability
- N dual contact lip seals standard
- For the Selection Guide, Load Ratings and Speed Limits, see the Link-Belt Heavy Duty Ball Bearing Engineering section
- Note: Dimensions subject to change. Certified dimensions of ordered material furnished on request.







Industries Served  
Aggregates  
Agriculture  
Air Handling  
Package Handling  
Construction  
Shipping

## Mounted Ball Bearings Designed for Long Life and Precision Performance

MB bearings provide design and performance features developed by decades of experience in supplying precision ball bearing inserts for other major mounted bearing manufacturers and complete mounted units to machinery and equipment manufacturers. They are priced competitively to bearings of comparable construction. In addition to sound basic design and construction, special features minimize the three most common causes of premature

bearing failure... loosening of bearings on rotating shafts, entrance of contaminants or loss of lubricant due to seal failure and insufficient housing strength. Standard duty and medium duty foot-mounted pillow blocks, flange units, take-up blocks and hanger bearings cataloged in the following pages are available from stock. For other sizes, mountings or special requirements to fit your applications, please consult the Rexnord Bearing Products.



### Concentric setscrew shaft locking device

The MB method of fastening the bearing inner race to the shaft provides substantial improvement in holding power compared to eccentric locking collars and even greater improvement over 120° set screw positioning, over-collars and other types of locking arrangement.

### Combination seal-flinger system

Optimum protection from loss of lubricant and entrance of dirt and contaminants is achieved with positive lip-type contact seals. The resulting longer seal life extends bearing life significantly.

### Rugged, one-piece cast iron housing

Housings are designed to withstand bearing load ratings, external vibration and shock. Foot mounted pillow block bolt holes are elongated for easy installation and adjustment.

### Spherically-seated bearing insert with anti-rotation device

The spherical fit between the outer race O.D. and I.D. of the block is precisely controlled for easy shaft alignment. The anti-rotation device is permanently installed in the bearing insert O.D. It engages one of the housing insertion slots, preventing outer race creep and wear of housing. There is no danger of losing a separable pin during field replacement of bearings and no danger of preloading the bearing as is possible in other designs where a lube fitting is tightened against a locking pin.

## Precision Mounted Ball Bearings with Shafting Locking Device

MB concentric setscrew precision mounted ball bearings feature a concentric setscrew shaft locking device, resulting in a great improvement in the holding power (locking efficiency). Field experience shows substantial improvement in holding power when compared to eccentric locking collars and even greater improvement in locking efficiency when compared to 120° set screw positioning and other types of locking arrangements. The locking set screws are located at a 90° angular relationship, rather than the traditional 120°.

### Standard sealing arrangements

Standard steel clad Type N single lip seals have a useful temperature range of -40°F to +225°F and can withstand temperatures of 250°F for intermittent service. Special sealing arrangements are available for higher temperatures and “free-running” or special contamination resistance.

### Special optional sealing arrangements

Suffix-MHFF indicates flingers both sides. This provides a sealed, “free-running” bearing with heat shield protection. It is satisfactory for temperatures from -40°F to +225°F. Rexnord Bearing Products must be consulted regarding availability of any of these optional sealing configurations.

Examples for ordering:

1. Bearing Insert MB251-716-MHFFPA
2. Mounted Unit C251-716-MHFF

### High temperature ball bearing inserts and housed units

Mounted ball bearings and MB25, MB35 and ER series inserts are available for high temperature applications up to 400°F. The “E1” package provides the following features.

1. Extra Internal Diameters Clearance (DC) based on a 200°F temperature differential between inner and outer races, compensates for the inner race expanding at a faster rate than the outer race and will avoid preloading of the bearings.
2. Steel Retainer (Cage) – 2 piece riveted construction.
3. High Temperature Lubrication – prelubricated with a No.2 consistency bentone-base grease with petroleum oil. When operated near upper limit, (400°F to 450°F) daily relubrication is required.
4. Viton Seals withstand temperatures to 400°F.

Examples for ordering:

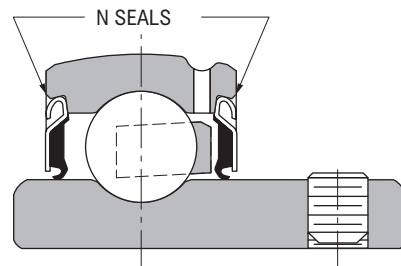
1. Bearing Insert MB251-716-E1PA
2. Mounted Unit C251-716-E1

### Free running applications and applications above 400°F

Sealing options such as -FF (flingers only) for “free running” applications and/or temperatures over 400°F where contamination is not severe. The flinger acts as a labyrinth seal. High temperature bearings require a greater amount of diametral clearance (DC) and a higher temperature lubricant. Consult Rexnord Bearing Products for recommendations.

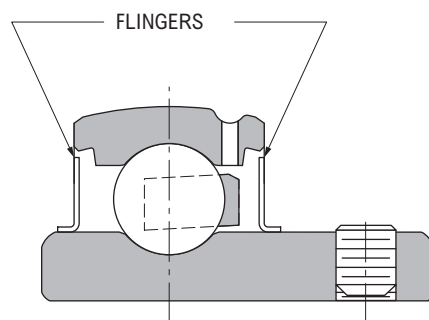
Examples for ordering:

1. Bearing Insert MB251-716-FFPA
2. Mounted Unit C251-716-FF



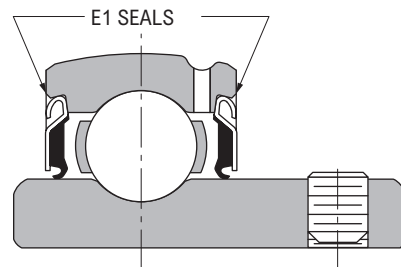
#### BASIC MB25/35 SEALS

214 thru 218 Basic Sizes have Nyla-K seals and Flingers



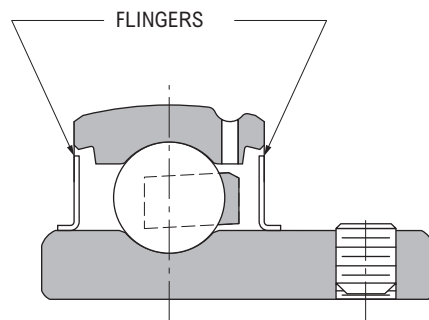
#### -MHFF

214 thru 218 Basic Sizes have Modified Nyla-K seals and Flingers use suffix MKFF



#### -E1

214 thru 218 Basic Sizes have Viton seals and Flingers use suffix TFF



#### -FF

## Nomenclature

| Symbol | Description   | N     | FC2   | 25 | 1 | -     | 716   | -     | FF    | JF    | PB    |
|--------|---|-------|-------|----|---|-------|-------|-------|-------|-------|-------|
| N      | Nickel plated housing, penetrated rings, food grade grease          | _____ |       |    |   |       |       |       |       |       |       |
| C      | Pillow block, standard backing                                      |       | _____ |    |   |       |       |       |       |       |       |
| CL     | Pillow block, low backing   |       | _____ |    |   |       |       |       |       |       |       |
| FC2    | Flanged unit, 2-bolt  |       | _____ |    |   |       |       |       |       |       |       |
| FC4    | Flanged unit, 4-bolt  |       | _____ |    |   |       |       |       |       |       |       |
| FPS2   | Flanged unit, formed steel housing, 2-bolt                          |       | _____ |    |   |       |       |       |       |       |       |
| FPS3   | Flanged unit, formed steel housing, 3-bolt round                    |       | _____ |    |   |       |       |       |       |       |       |
| FPSR2  | Flanged unit, formed steel housing, 2-bolt w/ rubber bearing insert |       | _____ |    |   |       |       |       |       |       |       |
| MCHB   | Hanger screw conveyor unit  |       | _____ |    |   |       |       |       |       |       |       |
| MEHB   | Hanger unit   |       | _____ |    |   |       |       |       |       |       |       |
| MFB    | Flanged bracket unit, 3-bolt  |       | _____ |    |   |       |       |       |       |       |       |
| PFC4   | Flanged cartridge unit, 4-bolt round                                |       | _____ |    |   |       |       |       |       |       |       |
| PS     | Pillow block, formed steel housing                                  |       | _____ |    |   |       |       |       |       |       |       |
| TBC    | Pillow block, tapped base   |       | _____ |    |   |       |       |       |       |       |       |
| TC     | Take-up, wide slot  |       | _____ |    |   |       |       |       |       |       |       |
| TFPS3  | Flanged unit, formed steel housing, 3-bolt triangular housing       |       | _____ |    |   |       |       |       |       |       |       |
| 25K    | Narrow inner ring, standard duty, Centrik-Lok collar                |       | _____ |    |   |       |       |       |       |       |       |
| 25     | Narrow inner ring, standard duty, spring locking                    |       | _____ |    |   |       |       |       |       |       |       |
| 35K    | Narrow inner ring, medium duty, Centrik-Lok collar                  |       | _____ |    |   |       |       |       |       |       |       |
| 35     | Narrow inner ring, medium duty, spring locking                      |       | _____ |    |   |       |       |       |       |       |       |
| None   | Shaft diameter less than 1 inch or a metric bore                    | _____ |       |    |   |       |       |       |       |       |       |
| 1      | Shaft diameter equal to or greater than 1 inch                      | _____ |       |    |   |       |       |       |       |       |       |
| -      | Dash used as separator  |       |       |    |   | _____ |       |       |       |       |       |
| 716    | Inch shaft fraction without the slash                               |       |       |    |   |       | _____ |       |       |       |       |
| 35     | Metric shaft diameter in millimeters                                |       |       |    |   |       | _____ |       |       |       |       |
| -      | Dash used to separate suffix from bore designation                  |       |       |    |   |       |       | _____ |       |       |       |
| EDC    | Bearing with steel retainer and increased clearance                 |       |       |    |   |       |       |       | _____ |       |       |
| STL    | Bearing with steel retainer and standard clearance                  |       |       |    |   |       |       |       | _____ |       |       |
| None   | Standard single lip seal  |       |       |    |   |       |       |       | _____ |       |       |
| E1     | Viton seals, increased clearance, steel retainer, high temp. lube   |       |       |    |   |       |       |       | _____ |       |       |
| FF     | Flingers only, 50% grease fill                                      |       |       |    |   |       |       |       | _____ |       |       |
| HFF    | Flingers only, 10% oil fill   |       |       |    |   |       |       |       | _____ |       |       |
| MHFF   | Flingers only 10% grease fill                                       |       |       |    |   |       |       |       | _____ |       |       |
| XX     | Non-standard grease designation                                     |       |       |    |   |       |       |       |       | _____ |       |
| PB     | Bearing with 100% grease fill                                       |       |       |    |   |       |       |       |       |       | _____ |
| PD     | Bearing with preservative only                                      |       |       |    |   |       |       |       |       |       | _____ |

## Unmounted Nomenclature

| Symbol | Description  | MB | 25 | 1 | - | 716 | - | FF | JF | PA |
|--------|--|----|----|---|---|-----|---|----|----|----|
| KMB    | Ball bearing, spherical O.D. with lube groove and anti rotation pin          |    |    |   |   |     |   |    |    |    |
| MB     | Ball bearing, spherical O.D. with lube groove and anti rotation pin          |    |    |   |   |     |   |    |    |    |
| ER     | Adapter series, cylindrical O.D. with lube groove and O.D. locating ring     |    |    |   |   |     |   |    |    |    |
| MSL    | Ball bearing, cylindrical O.D., wide inner ring, spring locking              |    |    |   |   |     |   |    |    |    |
| MSLN   | Ball bearing, cylindrical O.D., narrow inner ring, spring locking            |    |    |   |   |     |   |    |    |    |
| RER    | Rubber cartridge unit (used in FPSR2 units)                                  |    |    |   |   |     |   |    |    |    |
| 25     | Narrow inner ring, standard duty, spring locking - KMB & MB series only      |    |    |   |   |     |   |    |    |    |
| 35     | Narrow inner ring, medium duty, spring locking - KMB & MB series only        |    |    |   |   |     |   |    |    |    |
| None   | Shaft diameter less than 1 inch or a metric bore                             |    |    |   |   |     |   |    |    |    |
| 1      | Shaft diameter equal to or greater than 1 inch                               |    |    |   |   |     |   |    |    |    |
| 12     | Shaft diameter in sixteenths of an inch - ER, RER, MSL, MSLN series only     |    |    |   |   |     |   |    |    |    |
| 204    | Shaft diameter in one fifth of a millimeter - ER, RER, MSL, MSLN series only |    |    |   |   |     |   |    |    |    |
| None   | Setscrew locking – ER series only  |    |    |   |   |     |   |    |    |    |
| K      | Centrik-Lok collar – ER series only  |    |    |   |   |     |   |    |    |    |
| -      | Dash used as separator   |    |    |   |   |     |   |    |    |    |
| 716    | Inch shaft fraction without the slash – KMB & MB series only                 |    |    |   |   |     |   |    |    |    |
| 35     | Metric shaft diameter in millimeters – KMB & MB series only                  |    |    |   |   |     |   |    |    |    |
| -      | Dash used to separate suffix from bore designation                           |    |    |   |   |     |   |    |    |    |
| EDC    | Bearing with steel retainer and increased clearance                          |    |    |   |   |     |   |    |    |    |
| STL    | Bearing with steel retainer and standard clearance                           |    |    |   |   |     |   |    |    |    |
| None   | Standard single lip seal   |    |    |   |   |     |   |    |    |    |
| E1     | Viton seals, increased clearance, steel retainer, high temp. lube            |    |    |   |   |     |   |    |    |    |
| FF     | Flingers only, 50% grease fill   |    |    |   |   |     |   |    |    |    |
| HFF    | Flingers only, 10% oil fill  |    |    |   |   |     |   |    |    |    |
| MHFF   | Flingers only 10% grease fill  |    |    |   |   |     |   |    |    |    |
| WO     | External locating ring omitted – ER series only                              |    |    |   |   |     |   |    |    |    |
| XX     | Non-standard grease designation  |    |    |   |   |     |   |    |    |    |
| PA     | Suffix designation for unmounted replacement bearing insert                  |    |    |   |   |     |   |    |    |    |
|        |  |    |    |   |   |     |   |    |    |    |

## MB 25 and 35 Series Ball Bearings Selection Guide

To select a bearing, determine the applied radial load, the applied thrust load, the desired Rating Life, and applicable operating conditions. The procedure shown here will aid in selecting a bearing to meet an L<sub>10</sub> design life. The formulas for calculating life expectancy should be used to determine the Rating Life L<sub>10</sub> for the bearing selected.

The selection procedures and rating formulas shown here are in agreement with The American Bearing Manufacturers Association Standards and ANSI/ABMA Standards STD 9-1990. Ratings are based on fatigue life. The Rating Life or fatigue life at 90% reliability is the usual basis for bearing selection.

Series 25 and 35 bearings have extended inner rings on one side only for compactness and low cost. These series are applicable to light or moderate duty requirements.

Where non-relubricatable bearings are used, bearing life is often limited by grease life, which is in turn affected by operating conditions. Also, economically designed housings must be applied within proportionate load limits. To assure a satisfactory bearing application, fitting practice, mounting, lubrication, sealing, static rating, housing strength, operating conditions and maintenance must be considered.

### Steps for Selection

#### Step 1

Determine an appropriate L<sub>10</sub> design life.

| Type of service         | Operating time, hours per year | Design life, years | L <sub>10</sub> design life, hours |
|-------------------------|--------------------------------|--------------------|------------------------------------|
| Light seasonal usage    | 500 to 750                     | 3-5                | 3,000                              |
| Heavy seasonal usage    | 1,400 to 1,600                 | 4-6                | 8,000                              |
| Industrial—8 hour shift | 2,000                          | 10                 | 20,000                             |

#### Step 2

Determine a required  $\left(\frac{C}{P}\right)$  from Table 1.

#### Step 3

Calculate the required C and select a ball bearing.

a For radial load only:

$$P = F_r$$

$$\text{required } C = \left(\frac{C}{P}\right) P \text{ using } \left(\frac{C}{P}\right) \text{ from Step 2}$$

Select a ball bearing from Table 3 with a basic load rating C equal to or greater than the required C.

b For combined radial and thrust loads when  $\frac{F_a}{F_r}$  is 0.19 or less:

$$P = F_r$$

$$\text{required } C = \left(\frac{C}{P}\right) P \text{ using } \left(\frac{C}{P}\right) \text{ from Step 2}$$

Select a ball bearing from Table 3 with a basic load rating C equal to or greater than the required C.

#### Step 3 (continued)

c For combined radial and thrust loads when  $\frac{F_a}{F_r}$  is greater than 0.19, use the following trial method:

$$\text{Maximum } P = .56F_r + 2.30F_a$$

$$\text{Maximum required } C = \left(\frac{C}{P}\right) P \text{ using } \left(\frac{C}{P}\right) \text{ from Step 2}$$

Select a trial ball bearing with a basic load rating C from Table 3 approximately equal to the maximum required C.

$$\text{With this trial bearing calculate: } \frac{F_a}{Nd^2}$$

Determine X and Y from Table 2.

Calculate P for the trial bearing.

$$P = XF_r + YF_a$$

$$\text{required } C = \left(\frac{C}{P}\right) P \text{ for the trial bearing using } \left(\frac{C}{P}\right) \text{ from Step 2}$$

Consult Table 3, basic load rating. If a smaller bearing meets or nearly meets the required C, its life expectancy can be calculated.

Note: If the load P is greater than .15C for series 25 and 35 consult Rexnord Bearing Products.

## Selection

### Symbols for formulas:

- C = basic load rating, pounds (or newtons)
- Co = static load rating, pounds (or newtons)
- e = a reference value
- Fa = thrust load, pounds (or newtons)
- Fr = radial load, pounds (or newtons)
- L10 = rating life, hours
- n = speed, revolutions per minute
- P = equivalent radial load, pounds (or newtons)
- X = radial factor
- Y = thrust factor

**Table 1 • Relation of L10 life and speed to  $\left(\frac{C}{P}\right)$**

| Bearing life, hours<br>L10 | $\left(\frac{C}{P}\right)$ ratio |       |       |       |       |       |       |       |       |
|----------------------------|----------------------------------|-------|-------|-------|-------|-------|-------|-------|-------|
|                            | Speed, n                         |       |       |       |       |       |       |       |       |
|                            | 50                               | 100   | 200   | 300   | 400   | 500   | 600   | 700   | 800   |
| 3000                       | 2.08                             | 2.62  | 3.30  | 3.77  | 4.15  | 4.47  | 4.75  | 5.01  | 5.23  |
| 4000                       | 2.29                             | 2.88  | 3.63  | 4.15  | 4.57  | 4.92  | 5.23  | 5.51  | 5.76  |
| 5000                       | 2.46                             | 3.10  | 3.91  | 4.47  | 4.92  | 5.30  | 5.64  | 5.93  | 6.20  |
| 6000                       | 2.62                             | 3.30  | 4.15  | 4.75  | 5.23  | 5.64  | 5.99  | 6.30  | 6.59  |
| 8000                       | 2.88                             | 3.63  | 4.57  | 5.23  | 5.76  | 6.20  | 6.59  | 6.94  | 7.25  |
| 10000                      | 3.10                             | 3.91  | 4.92  | 5.64  | 6.20  | 6.68  | 7.10  | 7.47  | 7.81  |
| 12000                      | 3.30                             | 4.15  | 5.23  | 5.99  | 6.59  | 7.10  | 7.54  | 7.94  | 8.30  |
| 14000                      | 3.47                             | 4.37  | 5.51  | 6.30  | 6.94  | 7.47  | 7.94  | 8.36  | 8.74  |
| 16000                      | 3.63                             | 4.57  | 5.76  | 6.59  | 7.25  | 7.81  | 8.30  | 8.74  | 9.14  |
| 18000                      | 3.77                             | 4.75  | 5.99  | 6.86  | 7.54  | 8.13  | 8.63  | 9.09  | 9.50  |
| 20000                      | 3.91                             | 4.92  | 6.20  | 7.10  | 7.81  | 8.42  | 8.94  | 9.41  | 9.84  |
| 25000                      | 4.21                             | 5.30  | 6.68  | 7.65  | 8.42  | 9.07  | 9.63  | 10.10 | 10.60 |
| 30000                      | 4.47                             | 5.64  | 7.10  | 8.13  | 8.94  | 9.63  | 10.20 | 10.80 | 11.30 |
| 35000                      | 4.71                             | 5.93  | 7.47  | 8.55  | 9.41  | 10.10 | 10.80 | 11.30 | 11.90 |
| 40000                      | 4.92                             | 6.20  | 7.81  | 8.94  | 9.84  | 10.60 | 11.30 | 11.90 | 12.40 |
| 45000                      | 5.12                             | 6.45  | 8.13  | 9.30  | 10.20 | 11.00 | 11.70 | 12.30 | 12.90 |
| 50000                      | 5.30                             | 6.68  | 8.42  | 9.63  | 10.60 | 11.40 | 12.10 | 12.80 | 13.40 |
| 60000                      | 5.64                             | 7.10  | 8.94  | 10.20 | 11.30 | 12.10 | 12.90 | 13.60 | 14.20 |
| 70000                      | 5.93                             | 7.47  | 9.41  | 10.80 | 11.90 | 12.80 | 13.60 | 14.30 | 14.90 |
| 80000                      | 6.20                             | 7.81  | 9.84  | 11.30 | 12.40 | 13.40 | 14.20 | 14.90 | 15.60 |
| 90000                      | 6.45                             | 8.13  | 10.20 | 11.70 | 12.90 | 13.90 | 14.80 | 15.50 | 16.20 |
| 100000                     | 6.68                             | 8.42  | 10.60 | 12.10 | 13.40 | 14.40 | 15.30 | 16.10 | 16.80 |
| 150000                     | 7.65                             | 9.63  | 12.10 | 13.90 | 15.30 | 16.50 | 17.50 | 18.40 | 19.30 |
| 200000                     | 8.42                             | 10.60 | 13.40 | 15.30 | 16.80 | 18.10 | 19.30 | 20.30 | 21.20 |
|                            | Speed, n                         |       |       |       |       |       |       |       |       |
|                            | 900                              | 1000  | 1200  | 1500  | 1800  | 2400  | 3600  | 6000  | 10000 |
| 3000                       | 5.44                             | 5.64  | 5.99  | 6.45  | 6.86  | 7.54  | 8.63  | 10.20 | 12.10 |
| 4000                       | 5.99                             | 6.20  | 6.59  | 7.10  | 7.54  | 8.30  | 9.50  | 11.30 | 13.40 |
| 5000                       | 6.45                             | 6.68  | 7.10  | 7.65  | 8.13  | 8.94  | 10.20 | 12.10 | 14.40 |
| 6000                       | 6.86                             | 7.10  | 7.54  | 8.13  | 8.63  | 9.50  | 10.90 | 12.90 | 15.30 |
| 8000                       | 7.54                             | 7.81  | 8.30  | 8.94  | 9.50  | 10.50 | 12.00 | 14.20 | 16.80 |
| 10000                      | 8.13                             | 8.42  | 8.94  | 9.63  | 10.20 | 11.30 | 12.90 | 15.30 | 18.10 |
| 12000                      | 8.63                             | 8.94  | 9.50  | 10.20 | 10.90 | 12.00 | 13.70 | 16.20 | 19.30 |
| 14000                      | 9.09                             | 9.41  | 10.0  | 10.80 | 11.40 | 12.60 | 14.40 | 17.10 | 20.30 |
| 16000                      | 9.50                             | 9.84  | 10.5  | 11.30 | 12.00 | 13.20 | 15.10 | 17.90 | 21.20 |
| 18000                      | 9.88                             | 10.20 | 10.90 | 11.70 | 12.40 | 13.70 | 15.70 | 18.60 | 22.00 |
| 20000                      | 10.20                            | 10.60 | 11.30 | 12.10 | 12.90 | 14.20 | 16.20 | 19.30 | 22.80 |
| 25000                      | 11.00                            | 11.40 | 12.10 | 13.10 | 13.90 | 15.30 | 17.50 | 20.70 | 24.60 |
| 30000                      | 11.70                            | 12.10 | 12.90 | 13.90 | 14.80 | 16.20 | 18.60 | 22.00 | 26.10 |
| 35000                      | 12.30                            | 12.80 | 13.60 | 14.60 | 15.50 | 17.10 | 19.60 | 23.20 | 27.50 |
| 40000                      | 12.90                            | 13.40 | 14.20 | 15.30 | 16.20 | 17.90 | 20.50 | 24.30 | 28.70 |
| 45000                      | 13.40                            | 13.90 | 14.80 | 15.90 | 16.90 | 18.60 | 21.30 | 25.20 | 29.90 |
| 50000                      | 13.90                            | 14.40 | 15.30 | 16.50 | 17.50 | 19.30 | 22.00 | 26.10 | 31.00 |
| 60000                      | 14.80                            | 15.30 | 16.20 | 17.50 | 18.60 | 20.50 | 23.40 | 27.80 | 32.90 |
| 70000                      | 15.50                            | 16.10 | 17.10 | 18.40 | 19.60 | 21.50 | 24.60 | 29.20 | 34.60 |
| 80000                      | 16.20                            | 16.80 | 17.90 | 19.30 | 20.50 | 22.50 | 25.80 | 30.50 | 36.20 |
| 90000                      | 16.90                            | 17.50 | 18.60 | 20.00 | 21.30 | 23.40 | 26.80 | 31.80 | 37.70 |
| 100000                     | 17.50                            | 18.10 | 19.30 | 20.70 | 22.00 | 24.30 | 27.80 | 32.90 | 39.00 |
| 150000                     | 20.00                            | 20.70 | 22.00 | 23.70 | 25.20 | 27.80 | 31.80 | 37.70 | 44.60 |
| 200000                     | 22.00                            | 22.80 | 24.30 | 26.10 | 27.80 | 30.50 | 35.00 | 41.40 | 49.10 |

## Basic formula

$$\left(\frac{C}{P}\right) = \left(\frac{L_{10} \times n \times 60}{1,000,000}\right)^{1/3}$$

$$L_{10} = \frac{\left(\frac{C}{P}\right)^3 \times 1,000,000}{n \times 60}$$

## Life Expectancy

To calculate the Rating Life L10 of any selected or trial bearing:

### Step 1

Determine the equivalent radial load P.

a For radial load only:  
P = Fr

b For combined radial and thrust load:  
P = XFr + YFa using X and Y from Table 2 below.

### Step 2

Calculate the ratio of basic load rating C to the equivalent radial load.

$$\left(\frac{C}{P}\right)$$

### Step 3

Approximate the bearing life from Table 1.

**Table 2 • X and Y factors for ball bearings**

| Fa<br>Nd <sup>2</sup> | e   | Fa<br>Fr ≤ e |   | Fa<br>Fr > e |      |
|-----------------------|-----|--------------|---|--------------|------|
|                       |     | X            | Y | X            | Y    |
| 25                    | .19 | 1.0          | 0 | .56          | 2.30 |
| 37.5                  | .21 | 1.0          | 0 | .56          | 2.15 |
| 50                    | .22 | 1.0          | 0 | .56          | 1.99 |
| 75                    | .24 | 1.0          | 0 | .56          | 1.85 |
| 100                   | .26 | 1.0          | 0 | .56          | 1.71 |
| 125                   | .27 | 1.0          | 0 | .56          | 1.63 |
| 150                   | .28 | 1.0          | 0 | .56          | 1.56 |
| 200                   | .30 | 1.0          | 0 | .56          | 1.45 |
| 300                   | .34 | 1.0          | 0 | .56          | 1.31 |
| 500                   | .38 | 1.0          | 0 | .56          | 1.15 |
| 750                   | .42 | 1.0          | 0 | .56          | 1.04 |
| 1000                  | .44 | 1.0          | 0 | .56          | 1.00 |

For values between those in the table linear interpolation can be used.

### Life Adjustment

The Rating Life, L10, may be modified for some applications in accordance with the formula

$$L'n = a1a2a3L10$$

where L'n = Adjusted life for (100-n) % reliability,

a1 = Life adjustment factor for reliability

a2 = Life adjustment factor for material and processing

a3 = Life adjustment factor for operating conditions.

For most normal applications, all factors will be taken as 1, and the Rating Life used as the selection basis or life estimate. In addition, as long as standard catalog bearings are used, a2 will be normally set equal to one. The factor a3 covers such things as lubrication, misalignment, and temperature. Some conditions that could yield a3 significantly different than unity include speeds less than 20000 DN or greater than 200000 DN, temperatures below -40°F (-40°C) or above 275°F (135°C). For other possible conditions, as well as additional information on life adjustment factors, consult Rexnord Bearing Products.

**Table 3 - Load Ratings**

| Basic size | Co                 |        | C                 |        | Approximate Speed Limit |             |               | d Ball Diameter | N Number of Balls | Nd <sup>2</sup> |
|------------|--------------------|--------|-------------------|--------|-------------------------|-------------|---------------|-----------------|-------------------|-----------------|
|            | Static Load Rating |        | Basic Load Rating |        | RPM*                    |             |               |                 |                   |                 |
|            | newtons            | pounds | newtons           | pounds | N Seals                 | E, E1 Seals | Flingers only | inches          |                   |                 |
| 203        | 4940               | 1110   | 8100              | 1820   | 14000                   | 9000        | 15800         | 19/64           | 7                 | 0.617           |
| 204        | 6590               | 1480   | 9830              | 2210   | 10000                   | 7500        | 13400         | 5/16            | 8                 | 0.781           |
| 205        | 7830               | 1760   | 10810             | 2430   | 9600                    | 6800        | 11400         | 5/16            | 9                 | 0.879           |
| 206        | 11300              | 2530   | 15030             | 3380   | 8000                    | 5600        | 9800          | 3/8             | 9                 | 1.27            |
| 207        | 15300              | 3440   | 19880             | 4470   | 6850                    | 4800        | 8400          | 7/16            | 9                 | 1.72            |
| 208        | 19900              | 4460   | 25100             | 5640   | 6000                    | 4500        | 7500          | 1/2             | 9                 | 2.25            |
| 209        | 20400              | 4590   | 25220             | 5670   | 5330                    | 4000        | 6800          | 1/2             | 9                 | 2.25            |
| 210        | 23200              | 5220   | 27090             | 6090   | 4800                    | 3600        | 6400          | 1/2             | 10                | 2.50            |
| 211        | 29200              | 6570   | 33540             | 7540   | 4360                    | 3200        | 5800          | 9/16            | 10                | 3.16            |
| 212        | 36000              | 8080   | 40520             | 9110   | 4000                    | 3000        | 5300          | 5/8             | 10                | 3.91            |
|            |                    |        |                   |        | K Seals                 | TFF Seals   | Flingers only |                 |                   |                 |
| 214        | 38300              | 8620   | 48000             | 10800  | 3050                    | 2850        | 4600          | 11/16           | 10                | 4.73            |
| 215        | 37600              | 8460   | 47600             | 10700  | 2900                    | 2700        | 4400          | 11/16           | 10                | 4.73            |
| 216        | 50700              | 11400  | 59600             | 13400  | 2700                    | 2550        | 4050          | 3/4             | 11                | 6.19            |
| 218        | 64000              | 14400  | 73800             | 16600  | 2400                    | 2250        | 3600          | 7/8             | 10                | 7.66            |

If the load is greater than .25C consult Rexnord Bearing Products.

\* Approximate speed limits are based on grease lubrication and moderate load.



**Table 4 - Load Ratings**

| Basic Bearing Size | L <sub>10</sub> Minimum Life, Hours | Radial Load Ratings in Pounds at Various Revolutions Per Minute |      |      |      |      |      |      |      |      |      |      |      |      |      |      |      |      |      |      |      |      |
|--------------------|-------------------------------------|---|------|------|------|------|------|------|------|------|------|------|------|------|------|------|------|------|------|------|------|------|
|                    |                                     | 50  | 100  | 200  | 300  | 400  | 500  | 600  | 700  | 800  | 900  | 1000 | 1200 | 1500 | 1600 | 1800 | 2000 | 2500 | 3000 | 3500 | 4000 | 5000 |
| 203                | 8000                                | -   | -    | 398  | 347  | 315  | 293  | 276  | 262  | 251  | 241  | 233  | 219  | 203  | 198  | 191  | 184  | 171  | 161  | 152  | 146  | 135  |
|                    | 20000                               | -   | 369  | 293  | 256  | 233  | 216  | 203  | 193  | 184  | 178  | 171  | 161  | 150  | 146  | 141  | 135  | 126  | 118  | 113  | 107  | 100  |
|                    | 40000                               | 369   | 293  | 233  | 203  | 184  | 171  | 161  | 152  | 146  | 141  | 135  | 128  | 118  | 115  | 112  | 107  | 100  | 94   | 89   | 85   | 79   |
|                    | 100000                              | 272   | 216  | 171  | 150  | 135  | 126  | 118  | 113  | 108  | 104  | 100  | 94   | 87   | 85   | 82   | 79   | 73   | 69   | 65   | 63   | 58   |
| 204                | 8000                                | -   | -    | 483  | 422  | 383  | 356  | 335  | 318  | 304  | 293  | 282  | 266  | 247  | 241  | 232  | 224  | 208  | 195  | 185  | 178  | 164  |
|                    | 20000                               | -   | 449  | 356  | 311  | 282  | 262  | 247  | 234  | 224  | 216  | 208  | 195  | 182  | 178  | 171  | 164  | 153  | 144  | 137  | 130  | 121  |
|                    | 40000                               | 449   | 356  | 282  | 247  | 224  | 208  | 195  | 185  | 178  | 171  | 164  | 155  | 144  | 140  | 136  | 130  | 121  | 114  | 108  | 104  | 96   |
|                    | 100000                              | 330   | 262  | 208  | 182  | 164  | 153  | 144  | 137  | 131  | 126  | 122  | 114  | 106  | 104  | 100  | 96   | 89   | 84   | 80   | 76   | 71   |
| 205                | 8000                                | -   | -    | 531  | 464  | 421  | 391  | 368  | 350  | 335  | 322  | 311  | 292  | 271  | 265  | 255  | 246  | 229  | 215  | 204  | 195  | 181  |
|                    | 20000                               | -   | 493  | 391  | 342  | 311  | 288  | 271  | 258  | 246  | 238  | 229  | 215  | 200  | 195  | 188  | 181  | 168  | 158  | 150  | 143  | 133  |
|                    | 40000                               | 493   | 391  | 311  | 271  | 246  | 229  | 215  | 204  | 195  | 188  | 181  | 171  | 158  | 154  | 150  | 143  | 133  | 125  | 119  | 114  | 106  |
|                    | 100000                              | 363   | 288  | 229  | 200  | 181  | 168  | 158  | 150  | 144  | 138  | 134  | 125  | 117  | 114  | 110  | 106  | 98   | 92   | 88   | 84   | 78   |
| 206                | 8000                                | -   | -    | 739  | 646  | 586  | 545  | 512  | 487  | 466  | 448  | 432  | 407  | 378  | 368  | 355  | 342  | 318  | 299  | 284  | 272  | 252  |
|                    | 20000                               | -   | 686  | 545  | 476  | 432  | 401  | 378  | 359  | 343  | 331  | 318  | 299  | 279  | 272  | 262  | 252  | 234  | 220  | 209  | 200  | 185  |
|                    | 40000                               | 686   | 545  | 432  | 378  | 343  | 318  | 299  | 284  | 272  | 262  | 252  | 238  | 220  | 215  | 208  | 200  | 185  | 175  | 166  | 159  | 147  |
|                    | 100000                              | 505   | 401  | 318  | 279  | 252  | 234  | 220  | 209  | 201  | 193  | 186  | 175  | 163  | 159  | 153  | 147  | 136  | 129  | 122  | 117  | 108  |
| 207                | 8000                                | -   | -    | 978  | 854  | 776  | 720  | 678  | 644  | 616  | 592  | 572  | 538  | 500  | 487  | 470  | 453  | 421  | 395  | 375  | 360  | 333  |
|                    | 20000                               | -   | 908  | 720  | 629  | 572  | 530  | 500  | 475  | 454  | 438  | 421  | 395  | 369  | 360  | 346  | 333  | 310  | 292  | 277  | 264  | 245  |
|                    | 40000                               | 908   | 720  | 572  | 500  | 454  | 421  | 395  | 375  | 360  | 346  | 333  | 314  | 292  | 284  | 275  | 264  | 245  | 231  | 220  | 210  | 195  |
|                    | 100000                              | 669   | 530  | 421  | 369  | 333  | 310  | 292  | 277  | 266  | 255  | 246  | 231  | 215  | 210  | 203  | 195  | 180  | 170  | 161  | 155  | 143  |
| 208                | 8000                                | -   | -    | 1230 | 1070 | 979  | 909  | 855  | 812  | 777  | 748  | 722  | 679  | 630  | 615  | 593  | 572  | 532  | 499  | 473  | 454  | 420  |
|                    | 20000                               | -   | 1140 | 909  | 794  | 722  | 669  | 630  | 599  | 573  | 552  | 532  | 499  | 466  | 454  | 437  | 420  | 391  | 368  | 350  | 333  | 309  |
|                    | 40000                               | 1140  | 909  | 722  | 630  | 573  | 532  | 499  | 473  | 454  | 437  | 420  | 397  | 368  | 359  | 348  | 333  | 309  | 292  | 277  | 266  | 246  |
|                    | 100000                              | 844   | 669  | 532  | 466  | 420  | 391  | 368  | 350  | 335  | 322  | 311  | 292  | 272  | 266  | 256  | 246  | 228  | 215  | 204  | 195  | 181  |
| 209                | 8000                                | -   | -    | 1240 | 1080 | 984  | 914  | 860  | 817  | 782  | 751  | 725  | 683  | 634  | 618  | 596  | 575  | 534  | 501  | 476  | 457  | 423  |
|                    | 20000                               | -   | 1150 | 914  | 798  | 725  | 673  | 634  | 602  | 576  | 555  | 534  | 501  | 468  | 457  | 439  | 423  | 393  | 370  | 352  | 335  | 311  |
|                    | 40000                               | 1150  | 914  | 725  | 634  | 576  | 534  | 501  | 476  | 457  | 439  | 423  | 399  | 370  | 361  | 350  | 335  | 311  | 293  | 279  | 267  | 247  |
|                    | 100000                              | 848   | 673  | 534  | 468  | 423  | 393  | 370  | 352  | 337  | 324  | 313  | 293  | 273  | 267  | 257  | 247  | 229  | 216  | 205  | 196  | 182  |
| 210                | 8000                                | -   | -    | 1330 | 1160 | 1050 | 982  | 924  | 877  | 840  | 807  | 779  | 733  | 681  | 664  | 641  | 617  | 574  | 538  | 511  | 491  | 461  |
|                    | 20000                               | -   | 1230 | 982  | 857  | 779  | 723  | 681  | 647  | 618  | 597  | 574  | 538  | 503  | 491  | 472  | 454  | 422  | 398  | 378  | 360  | 330  |
|                    | 40000                               | 1230  | 982  | 779  | 681  | 618  | 574  | 538  | 511  | 491  | 472  | 454  | 428  | 398  | 387  | 375  | 360  | 334  | 315  | 300  | 287  | 267  |
|                    | 100000                              | 911   | 723  | 574  | 503  | 454  | 422  | 398  | 378  | 362  | 348  | 336  | 315  | 294  | 287  | 276  | 265  | 246  | 232  | 220  | 211  | 191  |
| 211                | 8000                                | -   | -    | 1640 | 1440 | 1300 | 1210 | 1140 | 1080 | 1040 | 1000 | 965  | 908  | 843  | 823  | 793  | 764  | 711  | 667  | 633  | 608  | 574  |
|                    | 20000                               | -   | 1530 | 1210 | 1060 | 965  | 895  | 843  | 801  | 766  | 739  | 711  | 667  | 623  | 608  | 584  | 562  | 523  | 492  | 468  | 446  | 416  |
|                    | 40000                               | 1530  | 1210 | 965  | 843  | 766  | 711  | 667  | 633  | 608  | 584  | 562  | 530  | 492  | 480  | 465  | 446  | 414  | 390  | 371  | 355  | 325  |
|                    | 100000                              | 1120  | 895  | 711  | 623  | 562  | 523  | 492  | 468  | 448  | 430  | 416  | 390  | 364  | 355  | 342  | 329  | 305  | 287  | 273  | 261  | 231  |
| 212                | 8000                                | -   | -    | 1990 | 1740 | 1580 | 1460 | 1380 | 1310 | 1250 | 1200 | 1160 | 1090 | 1010 | 994  | 958  | 923  | 859  | 806  | 765  | 734  | 698  |
|                    | 20000                               | -   | 1850 | 1460 | 1280 | 1160 | 1080 | 1010 | 968  | 925  | 893  | 859  | 806  | 752  | 734  | 706  | 679  | 632  | 595  | 565  | 539  | 503  |
|                    | 40000                               | 1850  | 1460 | 1160 | 1010 | 925  | 859  | 806  | 765  | 734  | 706  | 679  | 641  | 595  | 580  | 562  | 539  | 500  | 472  | 448  | 429  | 399  |
|                    | 100000                              | 1360  | 1080 | 859  | 752  | 679  | 632  | 595  | 565  | 542  | 520  | 503  | 472  | 440  | 429  | 414  | 397  | 368  | 347  | 330  | 316  | 286  |
| 214                | 8000                                | -   | -    | 2360 | 2060 | 1870 | 1740 | 1630 | 1550 | 1480 | 1430 | 1380 | 1300 | 1200 | 1170 | 1130 | 1090 | 1010 | 955  | 910  | 875  | 840  |
|                    | 20000                               | -   | 2190 | 1740 | 1520 | 1380 | 1280 | 1200 | 1140 | 1090 | 1050 | 1010 | 955  | 892  | 870  | 837  | 805  | 750  | 705  | 670  | 645  | 620  |
|                    | 40000                               | 2190  | 1740 | 1380 | 1200 | 1090 | 1010 | 955  | 907  | 870  | 837  | 805  | 760  | 705  | 687  | 666  | 639  | 593  | 559  | 534  | 509  | 484  |
|                    | 100000                              | 1610  | 1280 | 1010 | 892  | 805  | 750  | 705  | 670  | 642  | 617  | 596  | 559  | 521  | 509  | 490  | 471  | 437  | 412  | 396  | 380  | 364  |
| 215                | 8000                                | -   | -    | 2340 | 2040 | 1850 | 1720 | 1620 | 1540 | 1470 | 1410 | 1370 | 1280 | 1190 | 1160 | 1120 | 1080 | 1000 | 945  | 900  | 865  | 830  |
|                    | 20000                               | -   | 2170 | 1720 | 1500 | 1370 | 1270 | 1190 | 1130 | 1080 | 1040 | 1000 | 946  | 884  | 862  | 829  | 798  | 743  | 708  | 673  | 648  | 623  |
|                    | 40000                               | 2170  | 1720 | 1370 | 1190 | 1080 | 1000 | 946  | 899  | 862  | 829  | 798  | 753  | 699  | 681  | 660  | 633  | 587  | 552  | 527  | 502  | 477  |
|                    | 100000                              | 1600  | 1270 | 1000 | 884  | 798  | 743  | 699  | 664  | 636  | 611  | 591  | 554  | 516  | 504  | 486  | 467  | 433  | 417  | 401  | 385  | 369  |
| 216                | 8000                                | -   | -    | 2930 | 2560 | 2320 | 2160 | 2030 | 1930 | 1840 | 1770 | 1710 | 1610 | 1490 | 1460 | 1410 | 1350 | 1260 | 1205 | 1160 | 1115 | 1070 |
|                    | 20000                               | -   | 2720 | 2160 | 1880 | 1710 | 1590 | 1490 | 1420 | 1360 | 1310 | 1260 | 1180 | 1100 | 1080 | 1030 | 1000 | 930  | 885  | 850  | 825  | 800  |
|                    | 40000                               | 2720  | 2160 | 1710 | 1490 | 1360 | 1260 | 1180 | 1120 | 1080 | 1030 | 1000 | 943  | 875  | 853  | 827  | 792  | 736  | 701  | 676  | 651  | 626  |
|                    | 100000                              | 2000  | 1590 | 1260 | 1100 | 1000 | 930  | 875  | 832  | 797  | 765  | 740  | 694  | 647  | 632  | 609  | 585  | 542  | 526  | 510  | 494  | 478  |
| 218                | 8000                                | -   | -    | 3630 | 3170 | 2880 | 2670 | 2510 | 2390 | 2280 | 2200 | 2120 | 2000 | 1850 | 1810 | 1740 | 1680 | 1625 | 1580 | 1535 | 1490 | 1445 |
|                    | 20000                               | -   | 3370 | 2670 | 2330 | 2120 | 1970 | 1850 | 1760 | 1680 | 1620 | 1560 | 1460 | 1370 | 1330 | 1280 | 1230 | 1185 | 1140 | 1095 | 1050 | 1005 |
|                    | 40000                               | 3370  | 2670 | 2120 | 1850 | 1680 | 1560 | 1460 | 1390 | 1330 | 1280 | 1230 | 1160 | 1080 | 1050 | 1020 | 982  | 947  | 912  | 877  | 842  | 807  |
|                    | 100000                              | 2480  | 1970 | 1560 | 1370 | 1230 | 1150 | 1080 | 1030 | 988  | 948  | 917  | 860  | 801  | 783  | 754  | 724  | 689  | 654  | 619  | 584  | 549  |

See previous page for Basic Load Rating  
 Operation in the shaded areas require frequent relubrication.  
 If the load P is greater than .25C consult Rexnord Bearing Products.

**ER, ER-K Series Housing Fits**

| Size Code | Outside Diameter of Bearing |        | Rotating Housing |        |               |        | Stationary Housing |        |               |        |
|-----------|-----------------------------|--------|------------------|--------|---------------|--------|--------------------|--------|---------------|--------|
|           |                             |        | Diameter         |        | Resultant Fit |        | Diameter           |        | Resultant Fit |        |
|           | Min                         | Max    | Min              | Max    | Loose         | Tight  | Min                | Max    | Loose         | Tight  |
| 204       | 1.8499                      | 1.8540 | 1.8498           | 1.8504 | 0.0005        | 0.0006 | 1.8503             | 1.8509 | 0.0010        | 0.0001 |
| 205       | 2.0466                      | 2.0472 | 2.0466           | 2.0471 | 0.0005        | 0.0006 | 2.0471             | 2.0476 | 0.0010        | 0.0001 |
| 206       | 2.4403                      | 2.4409 | 2.4403           | 2.4408 | 0.0005        | 0.0006 | 2.4408             | 2.4413 | 0.0010        | 0.0001 |
| 207       | 2.8340                      | 2.8346 | 2.8340           | 2.8345 | 0.0005        | 0.0006 | 2.8345             | 2.8350 | 0.0010        | 0.0001 |
| 208       | 3.1490                      | 3.1496 | 3.1490           | 3.1495 | 0.0005        | 0.0006 | 3.1495             | 3.1500 | 0.0010        | 0.0001 |
| 209       | 3.3457                      | 3.3465 | 3.3458           | 3.3464 | 0.0007        | 0.0007 | 3.3464             | 3.3470 | 0.0013        | 0.0001 |
| 210       | 3.5425                      | 3.5433 | 3.5426           | 3.5432 | 0.0007        | 0.0007 | 3.5432             | 3.5438 | 0.0013        | 0.0001 |
| 211       | 3.9362                      | 3.9370 | 3.9363           | 3.9369 | 0.0007        | 0.0007 | 3.9369             | 3.9375 | 0.0013        | 0.0001 |
| 212       | 4.3299                      | 4.3307 | 4.3300           | 4.3306 | 0.0007        | 0.0007 | 4.3306             | 4.3312 | 0.0013        | 0.0001 |
| 214       | 4.9203                      | 4.9213 | 4.9204           | 4.9212 | 0.0009        | 0.0009 | 4.9211             | 4.9219 | 0.0016        | 0.0002 |
| 215       | 5.1171                      | 5.1181 | 5.1172           | 5.1180 | 0.0009        | 0.0009 | 5.1179             | 5.1187 | 0.0016        | 0.0002 |
| 216       | 5.5108                      | 5.5118 | 5.5109           | 5.5117 | 0.0009        | 0.0009 | 5.5116             | 5.5124 | 0.0016        | 0.0002 |

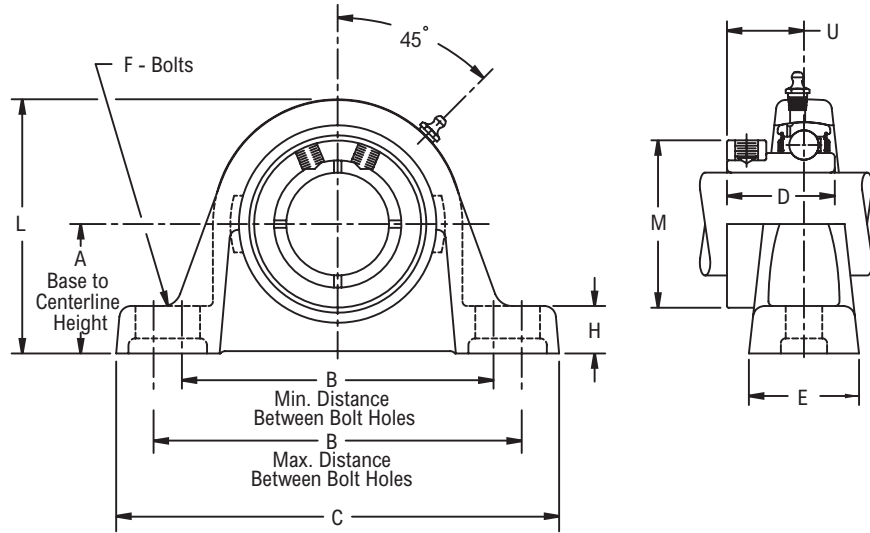
# C25K (Scheduled to be discontinued in 2013)



Photo Shows a 2-Bolt Ball Bearing Pillow Block Unit

## Product Features

- Corrosion-resistant powder coating
- Cast iron housing
- Broad range of sealing options
- Centrik-Lok shaft locking device
- Alignable & relubricatable
- See Features & Benefits for additional info.



## Bearing Dimensions

| Size Code | Shaft Diameter | Part Number     | A<br>Base to<br>Centerline<br>Height | B<br>Distance Between<br>Bolt Holes |         | C       | D       | E      | F     | H      | L       | M       | U       | Approx.<br>Weight |        |
|-----------|----------------|-----------------|--------------------------------------|-------------------------------------|---------|---------|---------|--------|-------|--------|---------|---------|---------|-------------------|--------|
|           |                |                 |                                      | Min                                 | Max     |         |         |        |       |        |         |         |         |                   |        |
| 203       | 1/2            | C25K-12♦♦ □Δ    | 1 3/16                               | 3 1/8                               | 4 1/8   | 5       | 63/64   | 1 5/16 | 3/8   | 1/2    | 2 9/32  | 1 1/8   | 41/64   | 1.11              |        |
|           | 5/8            | C25K-58♦♦ □Δ    |                                      |                                     |         |         |         |        |       |        |         | 1 13/64 |         | 1.07              |        |
|           | 11/16          | C25K-1116♦♦ □Δ  |                                      |                                     |         |         |         |        |       |        |         | 1 13/64 |         | 1.05              |        |
| 204       | 3/4            | C25K-34♦♦ □Δ    | 1 5/16                               | 3 3/8                               | 4 3/16  | 5 1/4   | 1 5/64  | 1 7/16 | 3/8   | 17/32  | 2 17/32 | 1 3/8   | 23/32   | 1.51              |        |
|           | 7/8            | C25K-78♦♦ □Δ    |                                      |                                     |         |         |         |        |       |        |         |         |         | 1.81              |        |
| 205       | 15/16          | C25K-1516♦♦ □Δ  | 1 7/16                               | 3 7/16                              | 4 9/16  | 5 1/2   | 1 1/8   | 1 7/16 | 3/8   | 19/32  | 2 13/16 | 1 9/16  | 3/4     | 1.78              |        |
|           | 1              | C25K1♦♦ □Δ      |                                      |                                     |         |         |         |        |       |        |         |         |         | 1.75              |        |
|           | 25.00          | C25K-25♦♦ □Δ    | 36.52                                | 87.30                               | 115.90  | 139.70  | 28.58   | 36.52  | 10.00 | 15.10  | 71.40   | 39.70   | 19.00   | 0.80              |        |
| 206       | 1 1/8          | C25K1-18♦♦ □Δ   | 1 11/16                              | 4 1/8                               | 5 1/8   | 6 1/4   | 1 19/64 | 1 5/8  | 1/2   | 21/32  | 3 1/4   | 1 13/16 | 29/32   | 2.45              |        |
|           | 1 3/16         | C25K1-316♦♦ □Δ  |                                      |                                     |         |         |         |        |       |        |         | 2       |         | 2.42              |        |
|           | 1 1/4          | C25K1-14S♦♦ □Δ  |                                      |                                     |         |         |         |        |       |        |         |         |         | 2.39              |        |
|           | 30.00          | C25K-30♦♦ □Δ    |                                      |                                     |         |         |         |        |       |        |         | 42.88   |         | 104.80            | 130.20 |
| 207       | 1 1/4          | C25K1-14♦♦ □Δ   | 1 7/8                                | 4 9/16                              | 5 9/16  | 6 11/16 | 1 15/32 | 1 3/4  | 1/2   | 3/4    | 3 11/16 | 2       | 1 1/32  | 3.57              |        |
|           | 1 3/8          | C25K1-38♦♦ □Δ   |                                      |                                     |         |         |         |        |       |        |         | 2 1/4   |         | 3.47              |        |
|           | 1 7/16         | C25K1-716♦♦ □Δ  |                                      |                                     |         |         |         |        |       |        |         |         |         | 3.41              |        |
| 208       | 1 1/2          | C25K1-12♦♦ □Δ   | 2 1/8                                | 5 1/32                              | 6 1/32  | 7 1/4   | 1 9/16  | 1 7/8  | 1/2   | 7/8    | 4 1/8   | 2 1/2   | 1 5/64  | 4.60              |        |
|           | 1 5/8          | C25K1-58♦♦ □Δ   |                                      |                                     |         |         |         |        |       |        |         |         |         | 4.46              |        |
| 209       | 1 5/8          | C25K1-58L♦♦ □Δ  | 2 1/8                                | 5 13/32                             | 6 17/32 | 7 3/4   | 1 19/32 | 2      | 1/2   | 29/32  | 4 1/4   | 2 1/2   | 1 1/16  | 5.28              |        |
|           | 1 11/16        | C25K1-1116♦♦ □Δ |                                      |                                     |         |         |         |        |       |        |         | 2 11/16 |         | 5.21              |        |
|           | 1 3/4          | C25K1-34♦♦ □Δ   |                                      |                                     |         |         |         |        |       |        |         |         |         | 5.14              |        |
| 210       | 1 7/8          | C25K1-78♦♦ □Δ   | 2 1/4                                | 5 27/32                             | 6 27/32 | 8 1/4   | 1 41/64 | 2 1/8  | 5/8   | 1      | 4 1/2   | 2 7/8   | 1 3/32  | 6.28              |        |
|           | 1 15/16        | C25K1-1516♦♦ □Δ |                                      |                                     |         |         |         |        |       |        |         |         |         |                   | 6.19   |
|           | 2              | C25K2♦♦ □Δ      |                                      |                                     |         |         |         |        |       |        |         |         |         |                   | 6.10   |
|           | 2              | C25K2L♦♦ □Δ     |                                      |                                     |         |         |         |        |       |        |         |         |         |                   | 7.78   |
| 211       | 2 3/16         | C25K2-316♦♦ □Δ  | 2 1/2                                | 6 5/16                              | 7 1/2   | 8 7/8   | 1 3/4   | 2 5/16 | 5/8   | 1      | 4 31/32 | 2 7/8   | 1 7/32  | 7.48              |        |
|           | 2 1/4          | C25K2-14♦♦ □Δ   |                                      |                                     |         |         |         |        |       |        |         | 3 1/8   |         | 7.38              |        |
|           | 2 1/4          | C25K2-14L♦♦ □Δ  |                                      |                                     |         |         |         |        |       |        |         |         |         |                   |        |
| 212       | 2 1/4          | C25K2-14L♦♦ □Δ  | 2 3/4                                | 6 29/32                             | 8 5/32  | 9 5/8   | 1 57/64 | 2 3/8  | 5/8   | 1 1/16 | 5 15/32 | 3 1/8   | 1 5/16  | 10.12             |        |
|           | 2 3/8          | C25K2-38♦♦ □Δ   |                                      |                                     |         |         |         |        |       |        |         |         |         | 9.88              |        |
|           | 2 7/16         | C25K2-716♦♦ □Δ  |                                      |                                     |         |         |         |        |       |        |         | 3 3/8   |         | 9.76              |        |
| 215       | 2 15/16        | C25K2-1516♦♦ □Δ | 3 1/2                                | 8 1/8                               | 10 1/8  | 12      | 2 1/8   | 2 7/8  | 7/8   | 1 7/32 | 6 21/32 | 3 15/16 | 1 21/64 | 16.73             |        |

## Additional Notes

- Please call 1-866-REXNORD for availability
- Lubrication fitting tap size: for size codes 203 thru 205, 1/4-28 UNF: for all other size codes, 1/8 in PT
- Base to centerline tolerance, +/- .005 in (+/- 0.13 mm)
- Lip seals standard
- ♦ Available with E1 viton seals for size codes 212 and smaller
- ♦ Available with TFF viton seals for size codes above 212

- Available with free running style seals, add suffix ♦ FF, □ HFF or Δ MHFF for size codes 212 and smaller
- Add suffix ♦ FF, □ SFF or Δ MKFF for size codes above 212
- For the Selection Guide, Load Ratings and Speed Limits, see the MB Ball Bearing Engineering section
- Note: Dimensions subject to change. Certified dimensions of ordered material furnished on request.

## C35K (Scheduled to be discontinued in 2013)

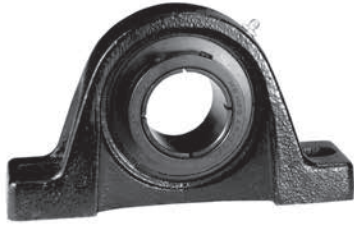
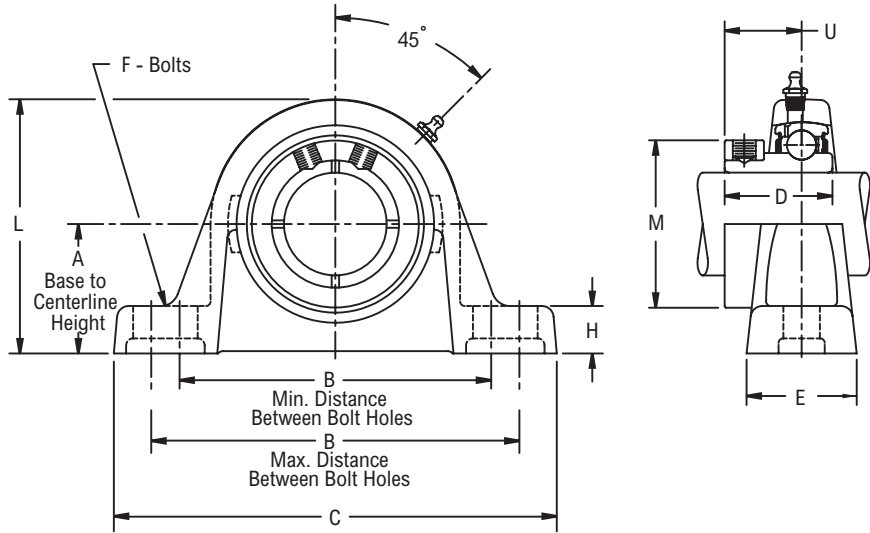


Photo Shows a 2-Bolt Ball Bearing Pillow Block Unit

### Product Features

- Corrosion-resistant powder coating
- Cast iron housing
- Broad range of sealing options
- Centrik-Lok shaft locking device
- Alignable & relubricatable
- See Features & Benefits for additional info.



### Bearing Dimensions

| Size Code | Shaft Diameter | Part Number     | A<br>Base to<br>Centerline<br>Height | B<br>Distance Between<br>Bolt Holes |          | C       | D       | E       | F   | H       | L       | M       | U       | Approx.<br>Weight |
|-----------|----------------|-----------------|--------------------------------------|-------------------------------------|----------|---------|---------|---------|-----|---------|---------|---------|---------|-------------------|
|           |                |                 |                                      | Min                                 | Max      |         |         |         |     |         |         |         |         |                   |
| 206       | 1              | C35K1◆●□△       | 1 11/16                              | 4 1/8                               | 5 1/8    | 6 1/4   | 1 19/64 | 1 5/8   | 1/2 | 2 1/32  | 3 1/4   | 1 13/16 | 2 9/32  | 2.54              |
| 207       | 1 3/16         | C35K1-316◆●□△   | 1 7/8                                | 4 9/16                              | 5 9/16   | 6 11/16 | 1 15/32 | 1 3/4   | 1/2 | 3/4     | 3 11/16 | 2       | 1 1/32  | 3.58              |
| 208       | 1 7/16         | C35K1-716◆●□△   | 2 1/8                                | 5 1/32                              | 6 1/32   | 7 1/4   | 1 9/16  | 1 7/8   | 1/2 | 7/8     | 4 1/8   | 2 1/4   | 1 3/32  | 4.65              |
| 209       | 1 1/2          | C35K1-12◆●□△    | 2 1/8                                | 5 13/32                             | 6 17/32  | 7 3/4   | 1 19/32 | 2       | 1/2 | 2 9/32  | 4 1/4   | 2 1/2   | 1 1/8   | 5.40              |
| 210       | 1 11/16        | C35K1-1116◆●□△  | 2 1/4                                | 5 27/32                             | 6 27/32  | 8 1/4   | 1 41/64 | 2 1/8   | 5/8 | 1       | 4 1/2   | 2 3/4   | 1 5/32  | 6.53              |
|           | 1 3/4          | C35K1-34◆●□△    |                                      |                                     |          |         |         |         |     |         |         |         |         |                   |
| 211       | 1 15/16        | C35K1-1516◆●□△  | 2 1/2                                | 6 5/16                              | 7 1/2    | 8 7/8   | 1 3/4   | 2 5/16  | 5/8 | 1       | 4 31/32 | 2 7/8   | 1 7/32  | 7.87              |
|           | 2              | C35K2◆●□△       |                                      |                                     |          |         |         |         |     |         |         |         |         |                   |
| 212       | 2 3/16         | C35K2-316◆●□△   | 2 3/4                                | 6 29/32                             | 8 5/32   | 9 5/8   | 1 57/64 | 2 3/8   | 5/8 | 1 1/16  | 5 15/32 | 3 1/8   | 1 3/8   | 10.24             |
| 214       | 2 7/16         | C35K2-716◆●□△◆  | 3                                    | 7 1/2                               | 9 1/4    | 10 3/4  | 2 5/64  | 2 11/16 | 3/4 | 1 5/32  | 6       | 3 3/4   | 1 7/16  | 13.31             |
|           | 2 1/2          | C35K2-12◆●□△◆   |                                      |                                     |          |         |         |         |     |         |         |         |         |                   |
| 215       | 2 11/16        | C35K2-1116◆●□△◆ | 3 1/2                                | 8 1/8                               | 10 1/8   | 12      | 2 1/8   | 2 7/8   | 7/8 | 1 7/32  | 6 21/32 | 3 15/16 | 1 15/32 | 17.36             |
| 216       | 2 15/16        | C35K2-1516◆●□△◆ | 3 1/2                                | 8 3/8                               | 10 1/8   | 12      | 2 3/16  | 3       | 7/8 | 1 9/32  | 6 7/8   | 4 3/16  | 1 1/2   | 19.32             |
|           | 3              | C35K3◆●□△◆      |                                      |                                     |          |         |         |         |     |         |         |         |         |                   |
| 218       | 3 3/16         | C35K3-316◆●□△◆  | 4                                    | 9 13/16                             | 11 15/16 | 14      | 2 23/64 | 3 3/8   | 7/8 | 1 11/32 | 7 7/8   | 4 13/16 | 1 9/16  | 27.52             |
|           | 3 7/16         | C35K3-716◆●□△◆  |                                      |                                     |          |         |         |         |     |         |         |         |         |                   |
|           | 3 1/2          | C35K3-12◆●□△◆   |                                      |                                     |          |         |         |         |     |         |         |         |         |                   |

### Additional Notes

- Please call 1-866-REXNORD for availability
- Lubrication fitting tap size, 1/8 in PT
- Base to centerline tolerance, +/- .005 in (+/- 0.13 mm)
- Lip seals standard
- ◆ Available with E1 viton seals for size codes 212 and smaller
- ◆ Available with TFF viton seals for size codes above 212
- Available with free running style seals, add suffix ● FF, □ HFF or △ MHFF for size codes 212 and smaller

Add suffix ● FF, □ SFF or △ MKFF for size codes above 212  
 For the Selection Guide, Load Ratings and Speed Limits, see the MB Ball Bearing Engineering section  
 Note: Dimensions subject to change. Certified dimensions of ordered material furnished on request.

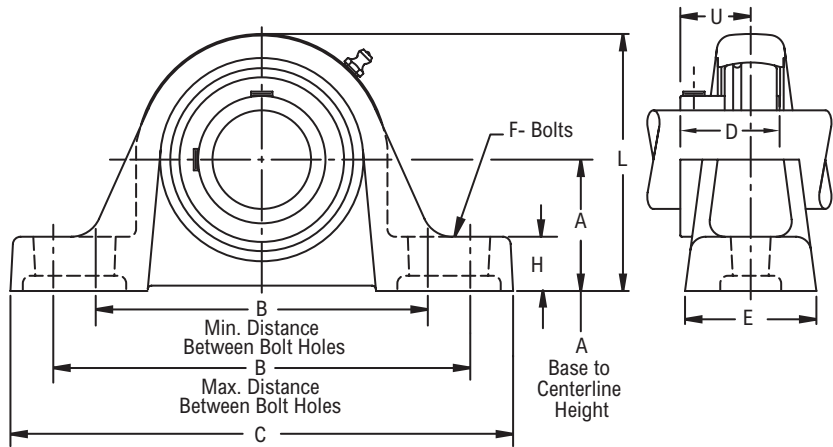
### C35 (Scheduled to be discontinued in 2013)



Photo Shows a 2-Bolt Ball Bearing Pillow Block Unit

#### Product Features

- Corrosion-resistant powder coating
- Cast iron housing
- Broad range of sealing options
- Spring locking setscrew mount
- Alignable & relubricatable
- See Features & Benefits for additional info.



#### Bearing Dimensions

| Size Code | Shaft Diameter | Part Number   | A<br>Base to Centerline Height | B<br>Distance Between Bolt Holes |          | C       | D       | E       | F   | H       | L       | U       | Approx. Weight |
|-----------|----------------|---------------|--------------------------------|----------------------------------|----------|---------|---------|---------|-----|---------|---------|---------|----------------|
|           |                |               |                                | Min                              | Max      |         |         |         |     |         |         |         |                |
| 206       | 1              | C351◆●□Δ      | 1 11/16                        | 4 1/8                            | 5 1/8    | 6 1/4   | 1 11/32 | 1 5/8   | 1/2 | 21/32   | 3 1/4   | 61/64   | 2.54           |
| 207       | 1 3/16         | C351-316◆●□Δ  | 1 7/8                          | 4 9/16                           | 5 9/16   | 6 11/16 | 1 9/16  | 1 3/4   | 1/2 | 3/4     | 3 11/16 | 1 7/64  | 3.58           |
| 208       | 1 7/16         | C351-716◆●□Δ  | 2 1/8                          | 5 1/32                           | 6 1/32   | 7 1/4   | 1 21/32 | 1 7/8   | 1/2 | 7/8     | 4 1/8   | 1 11/64 | 4.65           |
| 209       | 1 1/2          | C351-12◆●□Δ   | 2 1/8                          | 5 13/32                          | 6 17/32  | 7 3/4   | 1 49/64 | 2       | 1/2 | 29/32   | 4 1/4   | 1 15/64 | 5.40           |
| 210       | 1 11/16        | C351-1116◆●□Δ | 2 1/4                          | 5 27/32                          | 6 27/32  | 8 1/4   | 1 13/16 | 2 1/8   | 5/8 | 1       | 4 1/2   | 1 17/64 | 6.53           |
|           | 1 3/4          | C351-34◆●□Δ   |                                |                                  |          |         |         |         |     |         |         |         |                |
| 211       | 1 15/16        | C351-1516◆●□Δ | 2 1/2                          | 6 5/16                           | 7 1/2    | 8 7/8   | 1 13/16 | 2 5/16  | 5/8 | 1       | 4 31/32 | 1 9/32  | 7.87           |
|           | 2              | C352◆●□Δ      |                                |                                  |          |         |         |         |     |         |         |         |                |
| 212       | 2 3/16         | C352-316◆●□Δ  | 2 3/4                          | 6 29/32                          | 8 5/32   | 9 5/8   | 1 57/64 | 2 3/8   | 5/8 | 1 1/16  | 5 15/32 | 1 5/16  | 10.24          |
| 214       | 2 7/16         | C352-716◆●□Δ  | 3                              | 7 1/2                            | 9 1/4    | 10 3/4  | 2 15/64 | 2 11/16 | 3/4 | 1 5/32  | 6       | 1 7/16  | 13.31          |
|           | 2 1/2          | C352-12◆●□Δ   |                                |                                  |          |         |         |         |     |         |         |         |                |
| 215       | 2 11/16        | C352-1116◆●□Δ | 3 1/2                          | 8 1/8                            | 10 1/8   | 12      | 2 17/64 | 2 7/8   | 7/8 | 1 7/32  | 6 21/32 | 1 15/32 | 17.36          |
| 216       | 2 15/16        | C352-1516◆●□Δ | 3 1/2                          | 8 3/8                            | 10 1/8   | 12      | 2 23/64 | 3       | 7/8 | 1 9/32  | 6 7/8   | 1 1/2   | 19.32          |
|           | 3              | C353◆●□Δ      |                                |                                  |          |         |         |         |     |         |         |         |                |
| 218       | 3 3/16         | C353-316◆●□Δ  | 4                              | 9 13/16                          | 11 15/16 | 14      | 2 33/64 | 3 3/8   | 7/8 | 1 11/32 | 7 7/8   | 1 9/16  | 27.52          |
|           | 3 7/16         | C353-716◆●□Δ  |                                |                                  |          |         |         |         |     |         |         |         |                |
|           | 3 1/2          | C353-12◆●□Δ   |                                |                                  |          |         |         |         |     |         |         |         |                |

#### Additional Notes

- Please call 1-866-REXNORD for availability
- Lubrication fitting tap size, 1/8 in PT
- Base to centerline tolerance, +/- .005 in (+/- 0.13 mm)
- Lip seals standard
- ◆ Available with E1 viton seals for size codes 212 and smaller
- ◆ Available with TFF viton seals for size codes above 212
- Available with free running style seals, add suffix ● FF, □ HFF or Δ MHFF for size codes 212 and smaller

- Add suffix ● FF, □ SFF or Δ MKFF for size codes above 212
- For the Selection Guide, Load Ratings and Speed Limits, see the MB Ball Bearing Engineering section
- Note: Dimensions subject to change. Certified dimensions of ordered material furnished on request.

## CL25K (Scheduled to be discontinued in 2013)

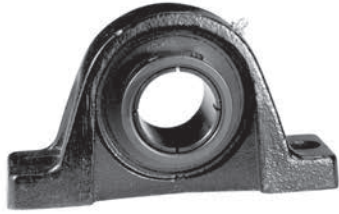
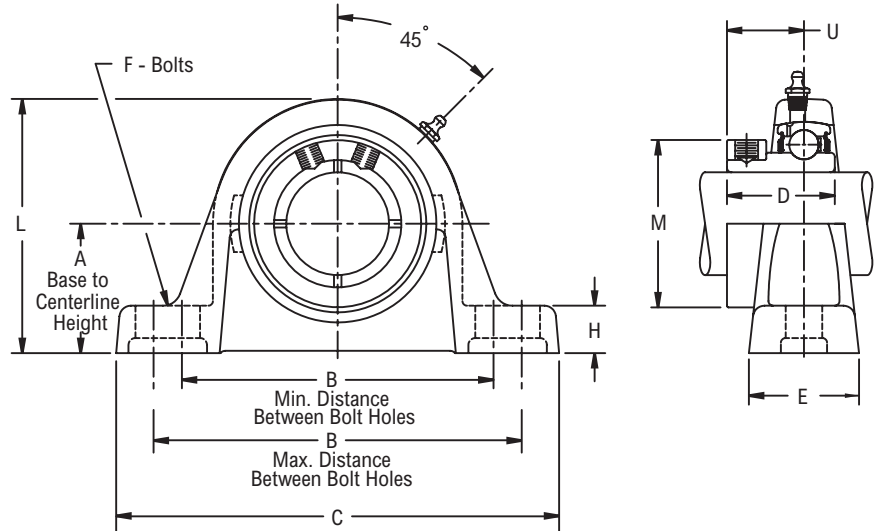


Photo Shows a 2-Bolt Ball Bearing Pillow Block Unit

### Product Features

- Corrosion-resistant powder coating
- Cast iron housing
- Broad range of sealing options
- Centrik-Lok shaft locking device
- Alignable & relubricatable
- Low base to center height
- See Features & Benefits for additional info.



### Bearing Dimensions

| Size Code | Shaft Diameter | Part Number      | A<br>Base to<br>Centerline<br>Height | B<br>Distance Between<br>Bolt Holes |         | C       | D       | E      | F     | H      | L       | M       | U       | Approx.<br>Weight |
|-----------|----------------|------------------|--------------------------------------|-------------------------------------|---------|---------|---------|--------|-------|--------|---------|---------|---------|-------------------|
|           |                |                  |                                      | Min                                 | Max     |         |         |        |       |        |         |         |         |                   |
| 203       | 1/2            | CL25K-12♦♦ □Δ    | 1 1/16                               | 3 1/8                               | 4 1/8   | 5       | 63/64   | 1 5/16 | 3/8   | 3/8    | 2 5/32  | 1 1/8   | 4 1/64  | 1.06              |
|           | 5/8            | CL25K-58♦♦ □Δ    |                                      |                                     |         |         |         |        |       |        |         | 1 13/64 |         | 1.02              |
|           | 1 1/16         | CL25K-1116♦♦ □Δ  |                                      |                                     |         |         |         |        |       |        |         | 1 13/64 |         | 1.00              |
| 204       | 3/4            | CL25K-34♦♦ □Δ    | 1 1/4                                | 3 3/8                               | 4 3/16  | 5 1/4   | 1 5/64  | 1 7/16 | 3/8   | 15/32  | 2 15/32 | 1 3/8   | 23/32   | 1.44              |
| 205       | 7/8            | CL25K-78♦♦ □Δ    | 1 5/16                               | 3 7/16                              | 4 9/16  | 5 1/2   | 1 1/8   | 1 7/16 | 3/8   | 15/32  | 2 11/16 | 1 9/16  | 3/4     | 1.71              |
|           | 1 1/16         | CL25K-1516♦♦ □Δ  |                                      |                                     |         |         |         |        |       |        |         |         |         | 1.68              |
|           | 1              | CL25K1♦♦ □Δ      |                                      |                                     |         |         |         |        |       |        |         |         |         | 1.67              |
|           | 25.00          | CL25K-25♦♦ □Δ    | 33.32                                | 87.30                               | 115.90  | 132.10  | 28.58   | 36.52  | 10.00 | 11.90  | 68.30   | 39.70   | 19.00   | 0.80              |
| 206       | 1 1/8          | CL25K1-18♦♦ □Δ   | 1 9/16                               | 4 1/8                               | 5 1/8   | 6 1/4   | 1 19/64 | 1 5/8  | 1/2   | 17/32  | 3 1/8   | 1 13/16 | 29/32   | 2.27              |
|           | 1 3/16         | CL25K1-316♦♦ □Δ  |                                      |                                     |         |         |         |        |       |        |         | 2.24    |         |                   |
|           | 1 1/4          | CL25K1-14S♦♦ □Δ  |                                      |                                     |         |         |         |        |       |        |         | 2       |         | 2.21              |
|           | 30.00          | CL25K-30♦♦ □Δ    | 39.67                                | 104.80                              | 130.20  | 158.80  | 32.94   | 41.28  | 12.00 | 13.50  | 79.38   | 50.80   | 23.00   | 1.00              |
| 207       | 1 1/4          | CL25K1-14♦♦ □Δ   | 1 13/16                              | 4 9/16                              | 5 9/16  | 6 11/16 | 1 15/32 | 1 3/4  | 1/2   | 11/16  | 3 5/8   | 2       | 1 1/32  | 3.47              |
|           | 1 3/8          | CL25K1-38♦♦ □Δ   |                                      |                                     |         |         |         |        |       |        |         | 3.37    |         |                   |
|           | 1 7/16         | CL25K1-716♦♦ □Δ  |                                      |                                     |         |         |         |        |       |        |         | 2 1/4   |         | 3.31              |
| 208       | 1 1/2          | CL25K1-12♦♦ □Δ   | 1 15/16                              | 5 1/32                              | 6 1/32  | 7 1/4   | 1 9/16  | 1 7/8  | 1/2   | 11/16  | 3 15/16 | 2 1/2   | 1 5/64  | 4.54              |
|           | 1 5/8          | CL25K1-58♦♦ □Δ   |                                      |                                     |         |         |         |        |       |        |         |         |         | 4.40              |
| 209       | 1 5/8          | CL25K1-58L♦♦ □Δ  | 2 1/16                               | 5 13/32                             | 6 17/32 | 7 3/4   | 1 19/32 | 2      | 1/2   | 27/32  | 4 3/16  | 2 1/2   | 1 1/16  | 5.22              |
|           | 1 11/16        | CL25K1-1116♦♦ □Δ |                                      |                                     |         |         |         |        |       |        |         | 2 11/16 |         | 5.15              |
|           | 1 3/4          | CL25K1-34♦♦ □Δ   |                                      |                                     |         |         |         |        |       |        |         | 2 11/16 |         | 5.08              |
| 210       | 1 7/8          | CL25K1-78♦♦ □Δ   | 2 3/16                               | 5 27/32                             | 6 27/32 | 8 1/4   | 1 41/64 | 2 1/8  | 5/8   | 15/16  | 4 7/16  | 2 7/8   | 1 3/32  | 6.15              |
|           | 1 15/16        | CL25K1-1516♦♦ □Δ |                                      |                                     |         |         |         |        |       |        |         |         |         | 6.06              |
|           | 2              | CL25K2♦♦ □Δ      |                                      |                                     |         |         |         |        |       |        |         |         |         | 5.97              |
|           | 2              | CL25K2L♦♦ □Δ     |                                      |                                     |         |         |         |        |       |        |         |         |         | 2 7/8             |
| 211       | 2 3/16         | CL25K2-316♦♦ □Δ  | 2 7/16                               | 6 5/16                              | 7 1/2   | 8 7/8   | 1 3/4   | 2 5/16 | 5/8   | 15/16  | 4 29/32 | 3 1/8   | 1 7/32  | 7.31              |
|           | 2 1/4          | CL25K2-14♦♦ □Δ   |                                      |                                     |         |         |         |        |       |        |         |         |         | 7.21              |
|           | 2 1/4          | CL25K2-14L♦♦ □Δ  |                                      |                                     |         |         |         |        |       |        |         |         |         | 3 1/8             |
| 212       | 2 3/8          | CL25K2-38♦♦ □Δ   | 2 11/16                              | 6 29/32                             | 8 5/32  | 9 5/8   | 1 57/64 | 2 3/8  | 5/8   | 1      | 5 13/32 | 3 3/8   | 1 5/16  | 9.83              |
|           | 2 7/16         | CL25K2-716♦♦ □Δ  |                                      |                                     |         |         |         |        |       |        |         |         |         | 9.71              |
| 215       | 2 15/16        | CL25K2-1516♦♦ □Δ | 3 5/16                               | 8 1/8                               | 10 1/8  | 12      | 2 1/8   | 2 7/8  | 7/8   | 1 1/32 | 6 15/32 | 3 15/16 | 1 21/64 | 16.23             |

### Additional Notes

- Please call 1-866-REXNORD for availability
- Lubrication fitting tap size: for size codes 203 thru 205, 1/4-28 UNF; for all other size codes, 1/8 in PT
- Base to centerline tolerance, +/- .005 in (+/- 0.13 mm)
- Lip seals standard
- ♦ Available with E1 viton seals for size codes 212 and smaller
- ♦ Available with TFF viton seals for size codes above 212

- Available with free running style seals, add suffix ♦ FF, □ HFF or Δ MHFF for size codes 212 and smaller
- Add suffix ♦ FF, □ SFF or Δ MKFF for size codes above 212
- For the Selection Guide, Load Ratings and Speed Limits, see the MB Ball Bearing Engineering section
- Note: Dimensions subject to change. Certified dimensions of ordered material furnished on request.

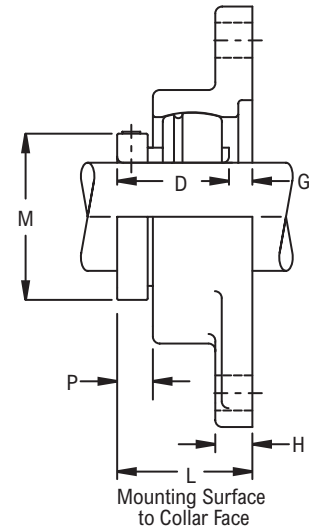
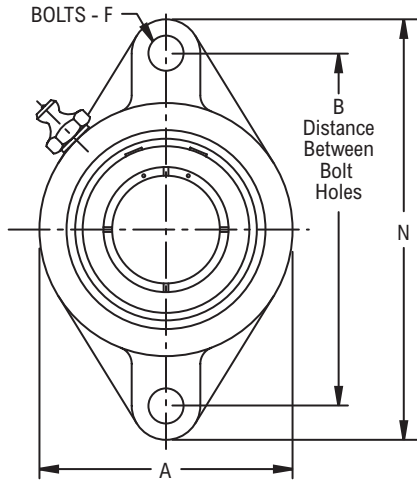
## FC225K (Scheduled to be discontinued in 2013)



Photo Shows a 2-Bolt Ball Bearing Flanged Unit

### Product Features

- Corrosion-resistant powder coating
- Cast iron housing
- Broad range of sealing options
- Centrik-Lok shaft locking device
- Alignable & relubricatable
- See Features & Benefits for additional info.



### Bearing Dimensions

| Size Code | Shaft Diameter | Part Number     | B Distance Between Bolt Holes | L Mounting Surface to Collar Face | A       | D       | F     | G     | H     | M       | N       | P      | Approx. Weight |
|-----------|----------------|-----------------|-------------------------------|-----------------------------------|---------|---------|-------|-------|-------|---------|---------|--------|----------------|
| 203       | 1/2            | FC225K-12◆□△    | 3                             | 1 1/8                             | 2 5/16  | 63/64   | 3/8   | 9/64  | 3/8   | 1 1/8   | 3 7/8   | 5/16   | 0.81           |
|           | 5/8            | FC225K-58◆□△    |                               |                                   |         |         |       |       |       | 1 13/64 |         |        | 0.77           |
|           | 11/16          | FC225K-1116◆□△  |                               |                                   |         |         |       |       |       | 0.75    |         |        |                |
| 204       | 3/4            | FC225K-34◆□△    | 3 17/32                       | 1 9/32                            | 2 3/8   | 1 5/64  | 3/8   | 5/32  | 7/16  | 1 3/8   | 4 13/32 | 13/32  | 0.91           |
|           | 20.00          | FC225K-20◆□△    | 89.69                         | 32.20                             | 60.30   | 27.38   | 10.00 | 4.00  | 11.10 | 34.90   | 111.90  | 10.30  | 0.40           |
| 205       | 7/8            | FC225K-78◆□△    | 3 57/64                       | 1 5/16                            | 2 3/4   | 1 1/8   | 7/16  | 1/8   | 1/2   | 1 9/16  | 4 7/8   | 7/16   | 1.32           |
|           | 15/16          | FC225K-1516◆□△  |                               |                                   |         |         |       |       |       | 1.29    |         |        |                |
|           | 1              | FC225K1◆□△      |                               |                                   |         |         |       |       |       | 1.26    |         |        |                |
| 206       | 25.00          | FC225K-25◆□△    | 98.82                         | 33.30                             | 69.80   | 28.58   | 10.00 | 3.20  | 12.70 | 39.70   | 123.80  | 11.10  | 0.60           |
|           | 1 1/8          | FC225K1-18◆□△   | 4 19/32                       | 1 1/2                             | 3 3/16  | 1 19/64 | 7/16  | 1/8   | 17/32 | 1 13/16 | 5 9/16  | 9/16   | 1.79           |
|           | 1 3/16         | FC225K1-316◆□△  |                               |                                   |         |         |       |       |       | 2       |         |        | 1.75           |
| 1 1/4     | FC225K1-14S◆□△ | 2               |                               |                                   |         |         |       |       |       | 1.71    |         |        |                |
| 207       | 1 1/4          | FC225K1-14◆□△   | 5 1/8                         | 1 23/32                           | 3 11/16 | 1 15/32 | 1/2   | 5/32  | 9/16  | 2       | 6 1/8   | 2 1/32 | 2.69           |
|           | 1 3/8          | FC225K1-38◆□△   |                               |                                   |         |         |       |       |       | 2 1/4   |         |        | 2.59           |
|           | 1 7/16         | FC225K1-716◆□△  |                               |                                   |         |         |       |       |       | 2.54    |         |        |                |
| 208       | 1 1/2          | FC225K1-12◆□△   | 5 21/32                       | 1 13/16                           | 4 1/8   | 1 9/16  | 1/2   | 11/64 | 9/16  | 2 1/2   | 6 3/4   | 2 1/32 | 3.47           |
|           | 1 5/8          | FC225K1-58◆□△   |                               |                                   |         |         |       |       |       | 3.33    |         |        |                |
|           | 40.00          | FC225K-40◆□△    |                               |                                   |         |         |       |       |       | 143.67  |         |        | 46.00          |
| 209       | 1 5/8          | FC225K1-58L◆□△  | 5 27/32                       | 1 29/32                           | 4 3/8   | 1 19/32 | 9/16  | 11/64 | 9/16  | 2 1/2   | 7 1/16  | 23/32  | 3.46           |
|           | 1 11/16        | FC225K1-1116◆□△ |                               |                                   |         |         |       |       |       | 2 11/16 |         |        | 3.39           |
|           | 1 3/4          | FC225K1-34◆□△   |                               |                                   |         |         |       |       |       | 3.32    |         |        |                |
| 210       | 1 7/8          | FC225K1-78◆□△   | 6 3/16                        | 1 29/32                           | 4 9/16  | 1 41/64 | 9/16  | 5/32  | 5/8   | 2 7/8   | 7 15/32 | 23/32  | 4.43           |
|           | 1 15/16        | FC225K1-1516◆□△ |                               |                                   |         |         |       |       |       | 4.25    |         |        |                |
|           | 2              | FC225K2◆□△      |                               |                                   |         |         |       |       |       | 6.04    |         |        |                |
| 211       | 2              | FC225K2L◆□△     | 7 1/4                         | 2                                 | 5       | 1 3/4   | 5/8   | 5/32  | 23/32 | 2 7/8   | 8 1/2   | 11/16  | 6.04           |
|           | 2 3/16         | FC225K2-316◆□△  |                               |                                   |         |         |       |       |       | 5.74    |         |        |                |
|           | 2 1/4          | FC225K2-14◆□△   |                               |                                   |         |         |       |       |       | 5.60    |         |        |                |

### Additional Notes

- Please call 1-866-REXNORD for availability
- Lubrication fitting tap size: for size codes 203 thru 205, 1/4-28 UNF: for all other size codes, 1/8 in PT
- Lip seals standard
- ◆ Available with E1 viton seals
- Available with free running style seals, add suffix ● FF, □ HFF or △ MHFF
- For the Selection Guide, Load Ratings and Speed Limits, see the MB Ball Bearing Engineering section

Note: Dimensions subject to change. Certified dimensions of ordered material furnished on request.

## FC435K (Scheduled to be discontinued in 2013)

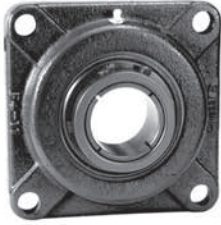
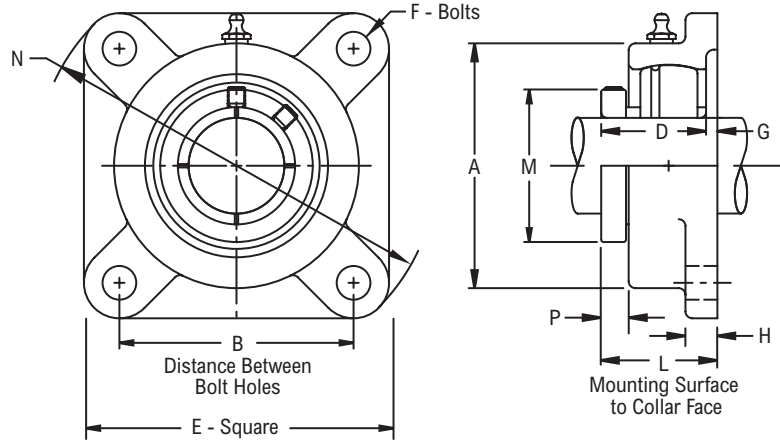


Photo Shows a 4-Bolt Ball Bearing Flanged Unit

### Product Features

- Corrosion-resistant powder coating
- Cast iron housing
- Broad range of sealing options
- Centrik-Lok shaft locking device
- Alignable & relubricatable
- See Features & Benefits for additional info.



### Bearing Dimensions

| Size Code | Shaft Diameter | Part Number       | B Distance Between Bolt Holes | L Mounting Surface to Collar Face | A       | D       | E      | F    | G     | H     | M       | N       | P     | Approx. Weight |
|-----------|----------------|-------------------|-------------------------------|-----------------------------------|---------|---------|--------|------|-------|-------|---------|---------|-------|----------------|
| 206       | 1              | FC435K1◆●□△       | 3 1/4                         | 1 1/2                             | 3 3/16  | 1 19/64 | 4 1/4  | 7/16 | 1/8   | 1/2   | 1 13/16 | 5 19/32 | 9/16  | 2.54           |
| 207       | 1 3/16         | FC435K1-316◆●□△   | 3 5/8                         | 1 23/32                           | 3 11/16 | 1 15/32 | 4 5/8  | 1/2  | 5/32  | 1/2   | 2       | 6 1/8   | 21/32 | 3.32           |
| 208       | 1 7/16         | FC435K1-716◆●□△   | 4                             | 1 13/16                           | 4 1/16  | 1 9/16  | 5 1/4  | 1/2  | 11/64 | 9/16  | 2 1/4   | 6 25/32 | 21/32 | 4.55           |
| 209       | 1 1/2          | FC435K1-12◆●□△    | 4 1/8                         | 1 29/32                           | 4 5/16  | 1 19/32 | 5 3/8  | 9/16 | 11/64 | 9/16  | 2 1/2   | 7 3/32  | 23/32 | 5.03           |
| 210       | 1 11/16        | FC435K1-1116◆●□△  | 4 3/8                         | 1 29/32                           | 4 1/2   | 1 41/64 | 5 5/8  | 9/16 | 5/32  | 9/16  | 2 3/4   | 7 7/16  | 23/32 | 5.59           |
|           | 1 3/4          | FC435K1-34◆●□△    |                               |                                   |         |         |        |      |       |       |         |         |       |                |
| 211       | 1 15/16        | FC435K1-1516◆●□△  | 5 1/8                         | 2                                 | 5 3/16  | 1 3/4   | 6 3/8  | 5/8  | 5/32  | 5/8   | 2 7/8   | 8 1/2   | 11/16 | 7.69           |
|           | 2              | FC435K2◆●□△       |                               |                                   |         |         |        |      |       |       |         |         |       |                |
| 212       | 2 3/16         | FC435K2-316◆●□△   | 5 5/8                         | 2 3/32                            | 5 7/16  | 1 57/64 | 6 7/8  | 5/8  | 13/64 | 11/16 | 3 1/8   | 9 9/32  | 21/32 | 9.34           |
| 214       | 2 7/16         | FC435K2-716◆●□△◆  | 5 7/8                         | 2 3/8                             | 6 1/8   | 2 5/64  | 7 3/8  | 5/8  | 19/64 | 11/16 | 3 3/4   | 9 13/16 | 23/32 | 12.27          |
|           | 2 1/2          | FC435K2-12◆●□△◆   |                               |                                   |         |         |        |      |       |       |         |         |       |                |
| 215       | 2 11/16        | FC435K2-1116◆●□△◆ | 6                             | 2 13/32                           | 6 7/16  | 2 1/8   | 7 3/4  | 3/4  | 9/32  | 3/4   | 3 15/16 | 10 1/4  | 23/32 | 13.75          |
| 216       | 2 15/16        | FC435K2-1516◆●□△◆ | 6                             | 2 17/32                           | 6 3/4   | 2 3/16  | 7 3/4  | 3/4  | 21/64 | 13/16 | 4 3/16  | 10 1/4  | 11/16 | 15.25          |
|           | 3              | FC435K3◆●□△◆      |                               |                                   |         |         |        |      |       |       |         |         |       |                |
| 218       | 3 3/16         | FC435K3-316◆●□△◆  | 6 3/4                         | 2 47/64                           | 7 3/4   | 2 23/64 | 8 7/16 | 3/4  | 3/8   | 15/16 | 4 13/16 | 11 1/4  | 11/16 | 21.10          |
|           | 3 7/16         | FC435K3-716◆●□△◆  |                               |                                   |         |         |        |      |       |       |         |         |       |                |
|           | 3 1/2          | FC435K3-12◆●□△◆   |                               |                                   |         |         |        |      |       |       |         |         |       |                |

### Additional Notes

- Please call 1-866-REXNORD for availability
- Lubrication fitting tap size, 1/8 in PT
- Lip seals standard
- ◆ Available with E1 viton seals for size codes 212 and smaller
- ◆ Available with TFF viton seals for size codes above 212
- Available with free running style seals, add suffix ● FF, □ HFF or △ MHFF for size codes 212 and smaller
- Add suffix ● FF, □ SFF or △ MKFF for size codes above 212

For the Selection Guide, Load Ratings and Speed Limits, see the MB Ball Bearing Engineering section

Note: Dimensions subject to change. Certified dimensions of ordered material furnished on request.



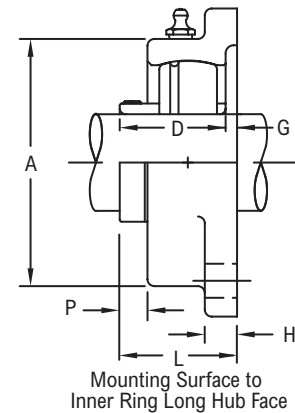
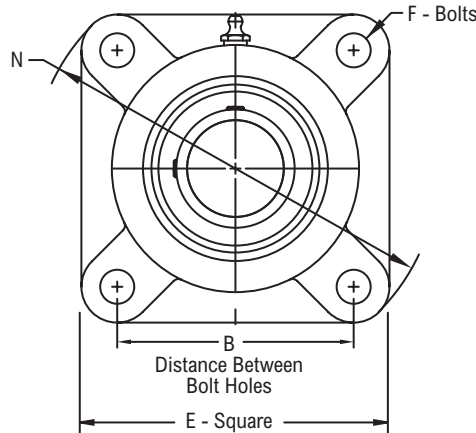
# FC435 (Scheduled to be discontinued in 2013)



Photo Shows a 4-Bolt Ball Bearing Flanged Unit

## Product Features

- Corrosion-resistant powder coating
- Cast iron housing
- Broad range of sealing options
- Spring locking setscrew mount
- Alignable & relubricatable
- See Features & Benefits for additional info.



## Bearing Dimensions

| Size Code | Shaft Diameter | Part Number      | B Distance Between Bolt Holes | L Mounting Surface to Inner Ring Long Hub Face | A       | D       | E      | F    | G     | H     | N       | P     | Approx. Weight |
|-----------|----------------|------------------|-------------------------------|--|---------|---------|--------|------|-------|-------|---------|-------|----------------|
| 206       | 1              | FC4351◆●□△       | 3 1/4                         | 1 1/2  | 3 3/16  | 1 11/32 | 4 1/4  | 7/16 | 9/64  | 1/2   | 5 19/32 | 9/16  | 2.58           |
| 207       | 1 3/16         | FC4351-316◆●□△   | 3 5/8                         | 1 23/32  | 3 11/16 | 1 9/16  | 4 5/8  | 1/2  | 9/64  | 1/2   | 6 1/8   | 21/32 | 3.32           |
| 208       | 1 7/16         | FC4351-716◆●□△   | 4                             | 1 13/16  | 4 1/16  | 1 21/32 | 5 1/4  | 1/2  | 5/32  | 9/16  | 6 25/32 | 21/32 | 4.55           |
| 209       | 1 1/2          | FC4351-12◆●□△    | 4 1/8                         | 1 29/32  | 4 5/16  | 1 49/64 | 5 3/8  | 1/2  | 1/8   | 9/16  | 7 3/32  | 23/32 | 5.03           |
| 210       | 1 11/16        | FC4351-1116◆●□△  | 4 3/8                         | 1 29/32  | 4 1/2   | 1 13/16 | 5 5/8  | 9/16 | 7/64  | 9/16  | 7 7/16  | 23/32 | 5.59           |
|           | 1 3/4          | FC4351-34◆●□△    |                               |  |         |         |        |      |       |       |         |       |                |
| 211       | 1 15/16        | FC4351-1516◆●□△  | 5 1/8                         | 2  | 5 3/16  | 1 13/16 | 6 3/8  | 5/8  | 11/64 | 5/8   | 8 1/2   | 11/16 | 7.69           |
|           | 2              | FC4352◆●□△       |                               |  |         |         |        |      |       |       |         |       |                |
| 212       | 2 3/16         | FC4352-316◆●□△   | 5 5/8                         | 2 3/32   | 5 7/16  | 1 57/64 | 6 7/8  | 5/8  | 13/64 | 11/16 | 9 9/32  | 21/32 | 9.34           |
| 214       | 2 7/16         | FC4352-716◆●□△◆  | 5 7/8                         | 2 3/8  | 6 1/8   | 2 15/64 | 7 3/8  | 5/8  | 1/8   | 11/16 | 9 13/16 | 23/32 | 12.27          |
|           | 2 1/2          | FC4352-12◆●□△◆   |                               |  |         |         |        |      |       |       |         |       |                |
| 215       | 2 11/16        | FC4352-1116◆●□△◆ | 6                             | 2 13/32  | 6 7/16  | 2 17/64 | 7 3/4  | 3/4  | 1/8   | 3/4   | 10 1/4  | 23/32 | 13.75          |
| 216       | 2 15/16        | FC4352-1516◆●□△◆ | 6                             | 2 17/32  | 6 3/4   | 2 23/64 | 7 3/4  | 3/4  | 11/64 | 13/16 | 10 1/4  | 11/16 | 15.25          |
|           | 3              | FC4353◆●□△◆      |                               |  |         |         |        |      |       |       |         |       |                |
| 218       | 3 3/16         | FC4353-316◆●□△◆  | 6 3/4                         | 2 47/64  | 7 3/4   | 2 33/64 | 8 7/16 | 3/4  | 7/32  | 15/16 | 11 1/4  | 21/32 | 21.10          |
|           | 3 7/16         | FC4353-716◆●□△◆  |                               |  |         |         |        |      |       |       |         |       |                |
|           | 3 1/2          | FC4353-12◆●□△◆   |                               |  |         |         |        |      |       |       |         |       |                |

## Additional Notes

- Please call 1-866-REXNORD for availability
- Lubrication fitting tap size, 1/8 in PT
- Lip seals standard
- ◆ Available with E1 viton seals for size codes 212 and smaller
- ◆ Available with TFF viton seals for size codes above 212
- Available with free running style seals, add suffix ● FF, □ HFF or △ MHFF for size codes 212 and smaller
- Add suffix ● FF, □ SFF or △ MKFF for size codes above 212

For the Selection Guide, Load Ratings and Speed Limits, see the MB Ball Bearing Engineering section

Note: Dimensions subject to change. Certified dimensions of ordered material furnished on request.

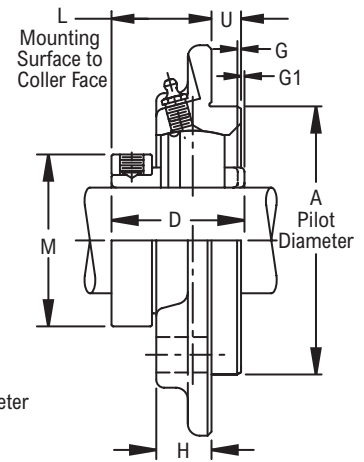
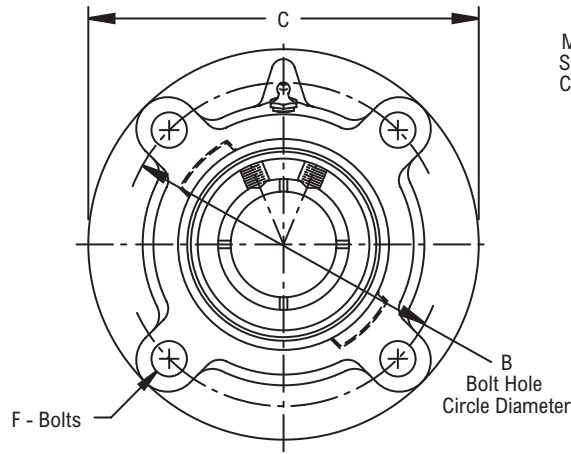
# PFC425K (Scheduled to be discontinued in 2013)



Photo Shows a 4-Bolt Ball Bearing Flanged Cartridge Unit

### Product Features

- Corrosion-resistant powder coating
- Cast iron housing
- Broad range of sealing options
- Centrik-Lok shaft locking device
- Alignable & relubricatable
- See Features & Benefits for additional info.



### Bearing Dimensions

| Size Code | Shaft Diameter | Part Number        | A Pilot Diameter | B Bolt Hole Circle Diameter | L Mounting Surface to Collar Face | C     | D       | F    | G & G1 | H   | M       | U     | Approx. Weight |      |
|-----------|----------------|--------------------|------------------|-----------------------------|-----------------------------------|-------|---------|------|--------|-----|---------|-------|----------------|------|
| 207       | 1 1/4          | PFC425K1-14♦♦ □Δ   | 3.375            | 4 1/8                       | 1 33/64                           | 5     | 1 15/32 | 7/16 | 11/64  | 7/8 | 2       | 3/8   | 3.13           |      |
|           | 1 3/8          | PFC425K1-38♦♦ □Δ   |                  |                             |                                   |       |         |      |        |     | 2 1/4   |       | 3.03           |      |
|           | 1 7/16         | PFC425K1-716♦♦ □Δ  |                  |                             |                                   |       |         |      |        |     |         |       | 2.97           |      |
| 208       | 1 1/2          | PFC425K1-12♦♦ □Δ   | 3.625            | 4 3/8                       | 1 17/32                           | 5 1/4 | 1 9/16  | 7/16 | 5/32   | 7/8 | 2 1/2   | 7/16  | 3.63           |      |
|           | 1 5/8          | PFC425K1-58♦♦ □Δ   |                  |                             |                                   |       |         |      |        |     |         |       | 3.49           |      |
| 209       | 1 5/8          | PFC425K1-58L♦♦ □Δ  | 3.625            | 4 3/8                       | 1 37/64                           | 5 1/4 | 1 19/32 | 7/16 | 11/64  | 7/8 | 2 1/2   | 7/16  | 3.76           |      |
|           | 1 11/16        | PFC425K1-1116♦♦ □Δ |                  |                             |                                   |       |         |      |        |     | 2 11/16 |       | 3.66           |      |
|           | 1 3/4          | PFC425K1-34♦♦ □Δ   |                  |                             |                                   |       |         |      |        |     |         |       | 3.59           |      |
| 210       | 1 7/8          | PFC425K1-78♦♦ □Δ   | 4.250            | 5 1/8                       | 1 19/32                           | 6 1/8 | 1 41/64 | 1/2  | 11/64  | 7/8 | 2 7/8   | 15/32 | 4.97           |      |
|           | 1 15/16        | PFC425K1-1516♦♦ □Δ |                  |                             |                                   |       |         |      |        |     |         |       |                | 4.88 |
|           | 2              | PFC425K2♦♦ □Δ      |                  |                             |                                   |       |         |      |        |     |         |       |                | 4.79 |
| 211       | 2              | PFC425K2L♦♦ □Δ     | 4.500            | 5 3/8                       | 1 35/64                           | 6 3/8 | 1 3/4   | 1/2  | 15/64  | 7/8 | 2 7/8   | 5/8   | 5.87           |      |
|           | 2 3/16         | PFC425K2-316♦♦ □Δ  |                  |                             |                                   |       |         |      |        |     | 3 1/8   |       | 5.57           |      |
|           | 2 1/4          | PFC425K2-14♦♦ □Δ   |                  |                             |                                   |       |         |      |        |     |         |       | 5.47           |      |
| 212       | 2 1/4          | PFC425K2-14L♦♦ □Δ  | 5.000            | 6                           | 1 11/16                           | 7 1/8 | 1 57/64 | 9/16 | 37/64  | 1   | 3 1/8   | 7/8   | 8.40           |      |
|           | 2 3/8          | PFC425K2-38♦♦ □Δ   |                  |                             |                                   |       |         |      |        |     | 3 3/8   |       | 8.16           |      |
|           | 2 7/16         | PFC425K2-716♦♦ □Δ  |                  |                             |                                   |       |         |      |        |     |         |       | 8.04           |      |
| 215       | 2 15/16        | PFC425K2-1516♦♦ □Δ | 6.375            | 7 1/2                       | 1 23/32                           | 8 3/4 | 2 1/8   | 5/8  | 1/4    | 1   | 3 15/16 | 1     | 13.44          |      |

### Additional Notes

- Please call 1-866-REXNORD for availability
- Lubrication fitting tap size, 1/8 in PT
- Pilot Diameter tolerance, +.000 in/-0.002 in (+0.00 mm/-0.05 mm)
- Bore tolerance for mounting, +.002 in/-0.000 in (+0.05 mm/-0.00 mm)
- For size codes 207 & 212, use the G dimension; for all other size codes use G1
- Lip seals standard
- ♦ Available with E1 viton seals for size codes 212 and smaller

- ♦ Available with TFF viton seals for size codes above 212
- Available with free running style seals, add suffix ♦ FF, □ HFF or Δ MHFF for size codes 212 and smaller
- Add suffix ♦ FF, □ SFF or Δ MKFF for size codes above 212
- For the Selection Guide, Load Ratings and Speed Limits, see the MB Ball Bearing Engineering section
- Note: Dimensions subject to change. Certified dimensions of ordered material furnished on request.

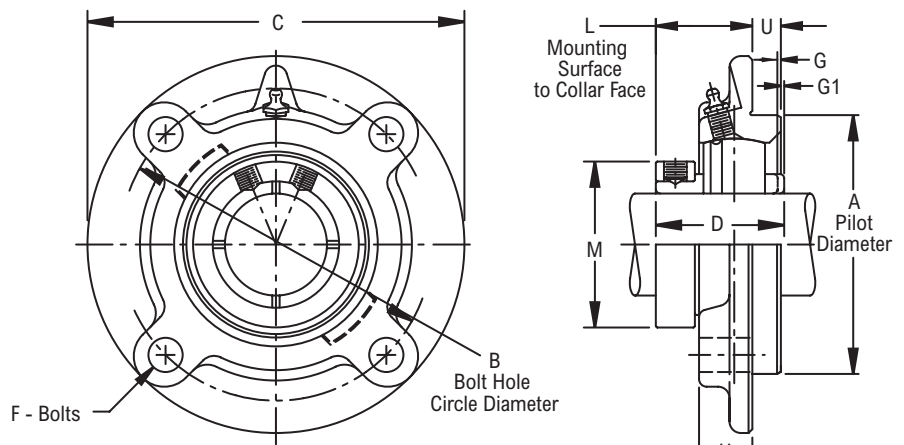
# PFC435K (Scheduled to be discontinued in 2013)



Photo Shows a 4-Bolt Ball Bearing Flanged Cartridge Unit

## Product Features

- Corrosion-resistant powder coating
- Cast iron housing
- Broad range of sealing options
- Centrik-Lok shaft locking device
- Alignable & relubricatable
- See Features & Benefits for additional info.



## Bearing Dimensions

| Size Code | Shaft Diameter | Part Number       | A Pilot Diameter | B Bolt Hole Circle Diameter | L Mounting Surface to Collar Face | C      | D       | F    | G & G1 | H     | M       | U     | Approx. Weight |
|-----------|----------------|-------------------|------------------|-----------------------------|-----------------------------------|--------|---------|------|--------|-------|---------|-------|----------------|
| 207       | 1 3/16         | PFC435K1-316◆●□△  | 3.375            | 4 1/8                       | 1 33/64                           | 5      | 1 15/32 | 7/16 | 11/64  | 7/8   | 2       | 3/8   | 3.14           |
| 208       | 1 7/16         | PFC435K1-716◆●□△  | 3.625            | 4 3/8                       | 1 17/32                           | 5 1/4  | 1 9/16  | 7/16 | 5/32   | 7/8   | 2 1/4   | 7/16  | 3.69           |
| 209       | 1 1/2          | PFC435K1-12◆●□△   | 3.625            | 4 3/8                       | 1 37/64                           | 5 1/4  | 1 19/32 | 7/16 | 11/64  | 7/8   | 2 1/2   | 7/16  | 3.85           |
| 210       | 1 11/16        | PFC435K1-1116◆●□△ | 4.250            | 5 1/8                       | 1 19/32                           | 6 1/8  | 1 41/64 | 1/2  | 11/64  | 7/8   | 2 3/4   | 15/32 | 5.72           |
|           | 1 3/4          | PFC435K1-34◆●□△   |                  |                             |                                   |        |         |      |        |       |         |       |                |
| 211       | 1 15/16        | PFC435K1-1516◆●□△ | 4.500            | 5 3/8                       | 1 35/64                           | 6 3/8  | 1 3/4   | 1/2  | 15/64  | 7/8   | 2 7/8   | 5/8   | 5.96           |
| 212       | 2 3/16         | PFC435K2-316◆●□△  | 5.000            | 6                           | 1 11/64                           | 7 1/8  | 1 57/64 | 9/16 | 37/64  | 1     | 3 1/8   | 1     | 8.52           |
| 214       | 2 7/16         | PFC435K2-716◆●□△  | 5.500            | 6 1/2                       | 1 23/32                           | 7 5/8  | 2 5/64  | 9/16 | 1/4    | 1     | 3 3/4   | 1     | 10.27          |
|           | 2 1/2          | PFC435K2-12◆●□△   |                  |                             |                                   |        |         |      |        |       |         |       |                |
| 215       | 2 11/16        | PFC435K2-1116◆●□△ | 6.375            | 7 1/2                       | 1 23/32                           | 8 3/4  | 2 1/8   | 5/8  | 1/4    | 1     | 3 15/16 | 1     | 14.07          |
| 216       | 2 15/16        | PFC435K2-1516◆●□△ | 6.375            | 7 1/2                       | 1 11/16                           | 8 3/4  | 2 3/16  | 5/8  | 11/64  | 1 1/8 | 4 3/16  | 1     | 14.28          |
|           | 3              | PFC435K3◆●□△      |                  |                             |                                   |        |         |      |        |       |         |       |                |
| 218       | 3 3/16         | PFC435K3-316◆●□△  | 7.375            | 8 5/8                       | 1 51/64                           | 10 1/4 | 2 23/64 | 3/4  | 5/32   | 1 1/8 | 4 13/16 | 1 1/8 | 21.90          |
|           | 3 7/16         | PFC435K3-716◆●□△  |                  |                             |                                   |        |         |      |        |       |         |       |                |
|           | 3 1/2          | PFC435K3-12◆●□△   |                  |                             |                                   |        |         |      |        |       |         |       |                |

## Additional Notes

- Please call 1-866-REXNORD for availability
- Lubrication fitting tap size, 1/8 in PT
- Pilot Diameter tolerance, +.000 in/-0.002 in (+0.00 mm/-0.05 mm)
- Bore tolerance for mounting, +.002 in/-0.000 in (+0.05 mm/-0.00 mm)
- For size codes 207 & 212, use the G dimension; for all other size codes use G1
- Lip seals standard
- ◆ Available with E1 viton seals for size codes 212 and smaller
- ◆ Available with TFF viton seals for size codes above 212

- Available with free running style seals, add suffix ● FF, □ HFF or △ MHFF for size codes 212 and smaller
- Add suffix ● FF, □ SFF or △ MKFF for size codes above 212
- For the Selection Guide, Load Ratings and Speed Limits, see the MB Ball Bearing Engineering section
- Note: Dimensions subject to change. Certified dimensions of ordered material furnished on request.

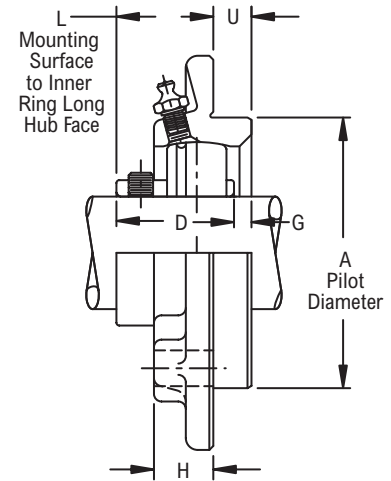
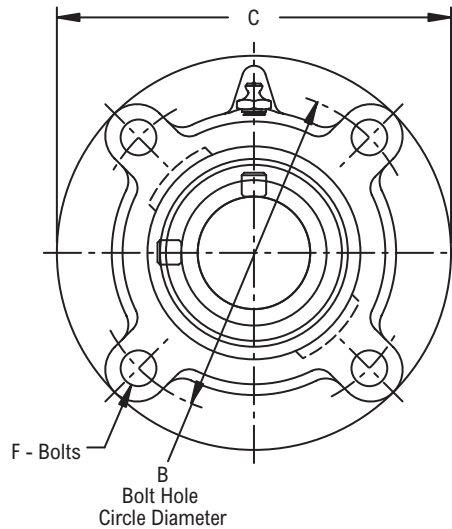
# PFC435 (Scheduled to be discontinued in 2013)



Photo Shows a 4-Bolt Ball Bearing Flanged Cartridge Unit

### Product Features

- Corrosion-resistant powder coating
- Cast iron housing
- Broad range of sealing options
- Spring locking setscrew mount
- Alignable & relubricatable
- See Features & Benefits for additional info.



### Bearing Dimensions

| Size Code | Shaft Diameter | Part Number      | A Pilot Diameter | B Bolt Hole Circle Diameter | L Mounting Surface to Inner Ring Long Hub Face | C      | D       | F    | G     | H     | U     | Approx. Weight |
|-----------|----------------|------------------|------------------|-----------------------------|--|--------|---------|------|-------|-------|-------|----------------|
| 207       | 1 3/16         | PFC4351-316◆●□△  | 3.375            | 4 1/8                       | 1 33/64  | 5      | 1 9/16  | 7/16 | 17/64 | 7/8   | 3/8   | 3.14           |
| 208       | 1 7/16         | PFC4351-716◆●□△  | 3.625            | 4 3/8                       | 1 17/32  | 5 1/4  | 1 21/32 | 7/16 | 1/4   | 7/8   | 7/16  | 3.69           |
| 209       | 1 1/2          | PFC4351-12◆●□△   | 3.625            | 4 3/8                       | 1 37/64  | 5 1/4  | 1 49/64 | 7/16 | 3/16  | 7/8   | 7/16  | 3.85           |
| 210       | 1 11/16        | PFC4351-1116◆●□△ | 4.250            | 5 1/8                       | 1 19/32  | 6 1/8  | 1 13/16 | 1/2  | 13/64 | 7/8   | 15/32 | 5.72           |
|           | 1 3/4          | PFC4351-34◆●□△   |                  |                             |  |        |         |      |       |       |       |                |
| 211       | 1 15/16        | PFC4351-1516◆●□△ | 4.500            | 5 3/8                       | 1 35/64  | 6 3/8  | 1 13/16 | 1/2  | 19/64 | 7/8   | 5/8   | 5.96           |
|           | 2              | PFC4352◆●□△      |                  |                             |  |        |         |      |       |       |       |                |
| 212       | 2 3/16         | PFC4352-316◆●□△  | 5.000            | 6                           | 1 11/64  | 7 1/8  | 1 57/64 | 9/16 | 37/64 | 1     | 1     | 8.52           |
| 214       | 2 7/16         | PFC4352-716◆●□△  | 5.500            | 6 1/2                       | 1 23/32  | 7 5/8  | 2 15/64 | 9/16 | 27/64 | 1     | 1     | 10.27          |
|           | 2 1/2          | PFC4352-12◆●□△   |                  |                             |  |        |         |      |       |       |       |                |
| 215       | 2 11/16        | PFC4352-1116◆●□△ | 6.375            | 7 1/2                       | 1 23/32  | 8 3/4  | 2 17/64 | 5/8  | 25/64 | 1     | 1     | 14.07          |
| 216       | 2 15/16        | PFC4352-1516◆●□△ | 6.375            | 7 1/2                       | 1 11/16  | 8 3/4  | 2 23/64 | 5/8  | 21/64 | 1 1/8 | 1     | 13.92          |
|           | 3              | PFC4353◆●□△      |                  |                             |  |        |         |      |       |       |       |                |
| 218       | 3 3/16         | PFC4353-316◆●□△  | 7.375            | 8 5/8                       | 1 51/64  | 10 1/4 | 2 33/64 | 3/4  | 25/64 | 1 1/8 | 1 1/8 | 21.50          |
|           | 3 7/16         | PFC4353-716◆●□△  |                  |                             |  |        |         |      |       |       |       |                |
|           | 3 1/2          | PFC4353-12◆●□△   |                  |                             |  |        |         |      |       |       |       |                |

### Additional Notes

- Please call 1-866-REXNORD for availability
- Lubrication fitting tap size, 1/8 in PT
- Pilot Diameter tolerance, +.000 in/-.002 in (+0.00 mm/-0.05 mm)
- Bore tolerance for mounting, +.002 in/-.000 in (+0.05 mm/-0.00 mm)
- Lip seals standard
- ◆ Available with E1 viton seals for size codes 212 and smaller
- ◆ Available with TFF viton seals for size codes above 212

Available with free running style seals, add suffix ● FF, □ HFF or △ MHFF for size codes 212 and smaller  
 Add suffix ● FF, □ SFF or △ MKFF for size codes above 212  
 For the Selection Guide, Load Ratings and Speed Limits, see the MB Ball Bearing Engineering section  
 Note: Dimensions subject to change. Certified dimensions of ordered material furnished on request.

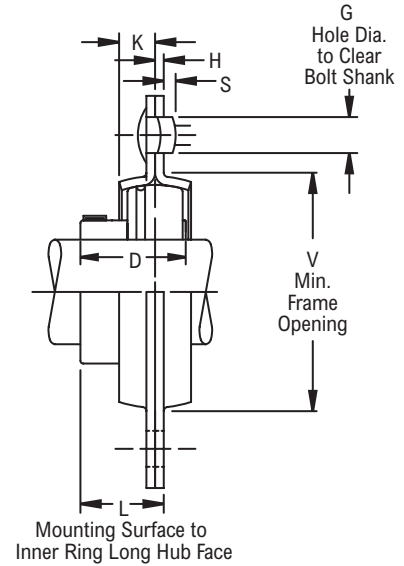
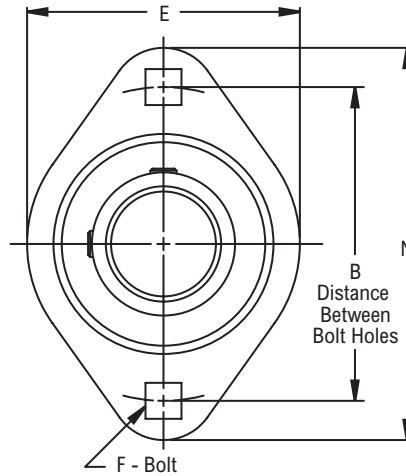
# FPS225



Photo Shows a 2-Bolt Ball Bearing Flanged Unit with Stamped Steel Housing

## Product Features

- 2-piece formed steel housing
- Spring locking setscrew mount
- Alignable & non-relubricatable
- 2-bolt carriage mounting
- See Features & Benefits for additional info.



## Bearing Dimensions

| Size Code | Shaft Diameter | Part Number     | B Distance Between Bolt Holes | F Bolt    |           | G Hole Dia. to Clear Bolt Shank | L Mounting Surface to Inner Ring Long Hub Face | V Frame Opening | D       | E       | H     | K     | N      | S Carriage Bolt |            | Radial Load Rating | Approx. Weight |
|-----------|----------------|-----------------|-------------------------------|-----------|-----------|---------------------------------|--|-----------------|---------|---------|-------|-------|--------|-----------------|------------|--------------------|----------------|
|           |                |                 |                               | Hole Size | Bolt Size |                                 |  |                 |         |         |       |       |        | Short Shank     | Long Shank |                    |                |
| 203       | 1/2            | FPS225-12◆●□△   | 2 1/2                         | 9/32      | 1/4       | 13/32                           | 23/32  | 1 15/16         | 63/64   | 2 5/16  | 0.075 | 9/32  | 3 3/16 | 0.006           | 0.100      | 600                | 0.44           |
|           | 5/8            | FPS225-58◆●□△   |                               |           |           |                                 |  |                 |         |         |       |       |        |                 |            |                    | 0.40           |
|           | 11/16          | FPS225-1116◆●□△ |                               |           |           |                                 |  |                 |         |         |       |       |        |                 |            |                    | 0.38           |
| 204       | 3/4            | FPS225-34◆●□△   | 2 13/16                       | 11/32     | 5/16      | 1/2                             | 53/64  | 2 3/16          | 1 1/8   | 2 5/8   | 0.083 | 5/16  | 3 9/16 | 0.021           | 0.115      | 700                | 0.57           |
|           | 20.00          | FPS225-20◆●□△   | 71.40                         | 8.730     | 5/16      | 12.70                           | 21.00  | 55.60           | 28.58   | 66.70   | 2.110 | 7.90  | 90.50  | 0.021           | 0.115      | 3,110              | 0.30           |
| 205       | 7/8            | FPS225-78◆●□△   | 3                             | 11/32     | 5/16      | 1/2                             | 7/8  | 2 3/8           | 1 11/64 | 2 61/64 | 0.083 | 11/32 | 3 3/4  | 0.021           | 0.115      | 800                | 0.73           |
|           | 15/16          | FPS225-1516◆●□△ |                               |           |           |                                 |  |                 |         |         |       |       |        |                 |            |                    | 0.70           |
|           | 1              | FPS2251◆●□△     |                               |           |           |                                 |  |                 |         |         |       |       |        |                 |            |                    | 0.67           |
|           | 25.00          | FPS225-25◆●□△   | 76.20                         | 8.730     | 5/16      | 12.70                           | 22.20  | 60.30           | 29.77   | 71.00   | 2.110 | 8.70  | 95.20  | 0.021           | 0.115      | 3,560              | 0.30           |
| 206       | 1 1/8          | FPS2251-18◆●□△  | 3 9/16                        | 13/32     | 3/8       | 19/32                           | 1 1/16   | 2 13/16         | 1 11/32 | 3 5/16  | 0.104 | 11/32 | 4 7/16 | 0.011           | 0.104      | 1,100              | 1.07           |
|           | 1 3/16         | FPS2251-316◆●□△ |                               |           |           |                                 |  |                 |         |         |       |       |        |                 |            |                    | 1.04           |
|           | 1 1/4          | FPS2251-14S◆●□△ |                               |           |           |                                 |  |                 |         |         |       |       |        |                 |            |                    | 1.01           |
|           | 30.00          | FPS225-30◆●□△   | 90.50                         | 10.320    | 3/8       | 15.10                           | 27.00  | 71.40           | 34.14   | 84.10   | 2.640 | 8.70  | 112.70 | 0.011           | 0.104      | 4,890              | 0.50           |

## Additional Notes

- Please call 1-866-REXNORD for availability
- Lip seals standard
- ◆ Available with E1 viton seals
- Available with free running style seals, add suffix ● FF, □ HFF or △ MHFF
- For the Selection Guide, Load Ratings and Speed Limits, see the MB Ball Bearing Engineering section
- Note: Dimensions subject to change. Certified dimensions of ordered material furnished on request.

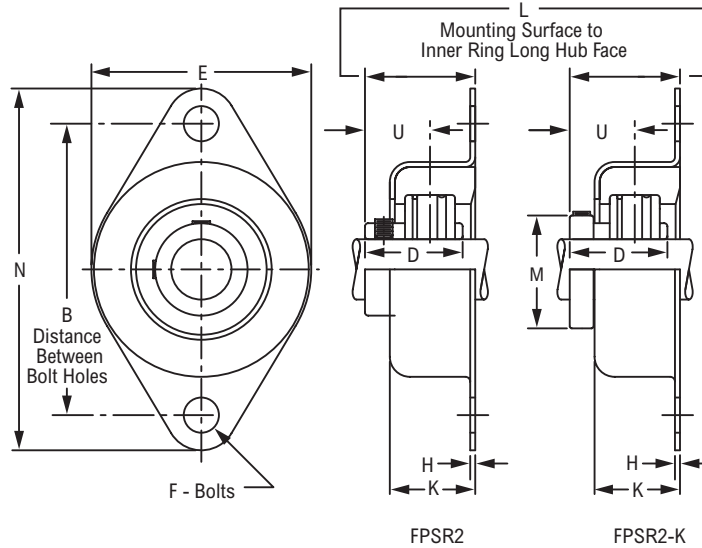
## FPSR2, FPSR2-K



Photo Shows a 2-Bolt Ball Bearing Flanged Unit with Rubber Mounted Housing

### Product Features

- 2-piece formed steel housing
- Optional Mounting Feature
- Rubber mounted bearing insert
- Alignable & non-relubricatable
- 2-bolt carriage mounting
- See Features & Benefits for additional info.



### Bearing Dimensions

| Size Code | Shaft Diameter | Part Number    |               | B<br>Distance Between Bolt Holes | L<br>Mounting Surface to Inner Ring Long Hub Face | D      | E       | F     | H    | K      | M       | N      | U     | Radial Load Rating | Approx. Weight |
|-----------|----------------|----------------|---------------|----------------------------------|---|--------|---------|-------|------|--------|---------|--------|-------|--------------------|----------------|
|           |                | Centrik-Lok    | Setscrew      |                                  |   |        |         |       |      |        |         |        |       |                    |                |
| 204       | 1/2            | FPSR2-12K♦□Δ   | FPSR2-12♦□Δ   | 3 5/8                            | 1 3/8   | 1 7/32 | 2 45/64 | 3/8   | 1/16 | 1 1/16 | 1 1/8   | 4 1/2  | 13/16 | 200                | 0.73           |
|           | 5/8            | FPSR2-58K♦□Δ   | FPSR2-58♦□Δ   |                                  |   |        |         |       |      |        | 1 13/64 |        |       |                    | 0.69           |
|           | 3/4            | FPSR2-34K♦□Δ   | FPSR2-34♦□Δ   |                                  |   |        |         |       |      |        | 1 3/8   |        |       |                    | 0.65           |
|           | 20.00          | -              | FPSR2-204♦□Δ  | 92.10                            | 34.90   | 30.96  | 68.70   | 10.00 | 1.57 | 27.00  | -       | 114.30 | 20.60 | 890                | 0.30           |
| 205       | 7/8            | FPSR2-78K♦□Δ   | FPSR2-78♦□Δ   | 3 5/8                            | 1 25/64   | 1 3/8  | 2 45/64 | 3/8   | 1/16 | 1 1/16 | 1 9/16  | 4 1/2  | 55/64 | 250                | 0.78           |
|           | 15/16          | FPSR2-1516K♦□Δ | FPSR2-1516♦□Δ |                                  |   |        |         |       |      |        | 1 13/16 |        |       |                    | 0.76           |
|           | 1              | FPSR21K♦□Δ     | FPSR21♦□Δ     |                                  |   |        |         |       |      |        | 1 3/8   |        |       |                    | 0.74           |
|           | 25.00          | FPSR2-205K♦□Δ  | FPSR2-205♦□Δ  | 92.10                            | 35.30   | 34.92  | 68.70   | 10.00 | 1.57 | 27.00  | 39.70   | 114.30 | 21.80 | 1,110              | 0.30           |
| 206       | 1 1/8          | FPSR21-18K♦□Δ  | FPSR21-18♦□Δ  | 4 3/8                            | 1 5/8   | 1 1/2  | 3 1/2   | 7/16  | 1/16 | 1 1/4  | 1 13/16 | 5 3/8  | 29/32 | 300                | 1.47           |
|           | 1 3/16         | FPSR21-316K♦□Δ | FPSR21-316♦□Δ |                                  |   |        |         |       |      |        | 2       |        |       |                    | 1.42           |
|           | 1 1/4          | FPSR21-14SK♦□Δ | FPSR21-14S♦□Δ |                                  |   |        |         |       |      |        | 2       |        |       |                    | 1.36           |
|           | 30.00          | FPSR2-206K♦□Δ  | FPSR2-206♦□Δ  | 111.10                           | 41.30   | 38.10  | 88.90   | 10.00 | 1.57 | 31.80  | 50.80   | 136.50 | 23.00 | 1,330              | 0.60           |

### Additional Notes

- Please call 1-866-REXNORD for availability
- Lip seals standard
- ♦ Available with E1 viton seals
- Available with free running style seals, add suffix ● FF, □ HFF or Δ MHFF
- For the Selection Guide, Load Ratings and Speed Limits, see the MB Ball Bearing Engineering section
- Note: Dimensions subject to change. Certified dimensions of ordered material furnished on request.

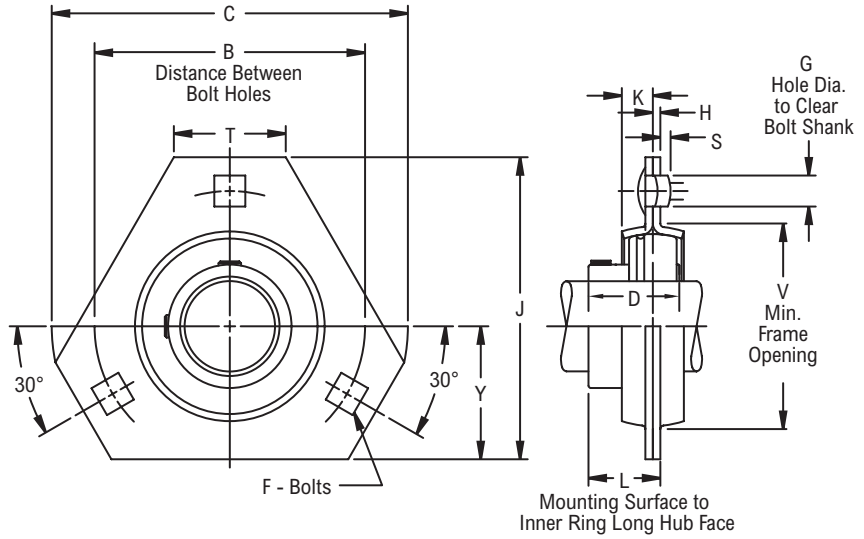
**TFPS325**



Photo Shows a 3-Bolt Ball Bearing Flanged Unit with Stamped Steel Housing

**Product Features**

- 2-piece formed steel housing
- Spring locking setscrew mount
- Alignable & non-relubricatable
- 3-bolt carriage mounting
- See Features & Benefits for additional info.



**Bearing Dimensions**

| Size Code | Shaft Diameter | Part Number      | B Distance Between Bolt Holes | F    |       | G Hole Dia. to Clear Bolt Shank | L Mounting Surface to Inner Ring | V Frame Opening | C      | D       | H     | J       | K     | S Carriage Bolt |       | T      | Y      | Radial Load Rating | Approx. Weight |
|-----------|----------------|------------------|-------------------------------|------|-------|---------------------------------|----------------------------------|-----------------|--------|---------|-------|---------|-------|-----------------|-------|--------|--------|--------------------|----------------|
|           |                |                  |                               | Bolt | Hole  |                                 |                                  |                 |        |         |       |         |       | Short           | Long  |        |        |                    |                |
| 204       | 3/4            | TFPS325-34◆●□△   | 2 13/16                       | 5/16 | 11/32 | 1/2                             | 53/64                            | 2 3/16          | 3 9/16 | 1 1/8   | 0.083 | 3       | 5/16  | 0.021           | 0.115 | 1 1/16 | 1 5/16 | 700                | 0.63           |
|           | 20.00          | TFPS325-20◆●□△   | 71.40                         | 5/16 | 8.730 | 12.70                           | 21.00                            | 55.60           | 90.50  | 28.58   | 2.110 | 76.20   | 7.90  | 0.021           | 0.115 | 27.00  | 33.30  | 3,110              | 0.30           |
| 205       | 7/8            | TFPS325-78◆●□△   | 3                             | 5/16 | 11/32 | 1/2                             | 7/8                              | 2 3/8           | 3 3/4  | 1 11/64 | 0.083 | 3 5/32  | 11/32 | 0.021           | 0.115 | 1 7/64 | 1 3/8  | 800                | 0.79           |
|           | 15/16          | TFPS325-1516◆●□△ |                               |      |       |                                 |                                  |                 |        |         |       |         |       |                 |       |        |        |                    | 0.76           |
|           | 1              | TFPS3251◆●□△     |                               |      |       |                                 |                                  |                 |        |         |       |         |       |                 |       |        |        |                    | 0.73           |
|           | 25.00          | TFPS325-25◆●□△   | 76.20                         | 5/16 | 8.730 | 12.70                           | 22.20                            | 60.30           | 95.20  | 29.77   | 2.110 | 80.20   | 8.70  | 0.021           | 0.115 | 28.20  | 34.90  | 3,560              | 0.30           |
| 206       | 1 1/8          | TFPS3251-18◆●□△  | 3 9/16                        | 3/8  | 13/32 | 19/32                           | 1 1/16                           | 2 13/16         | 4 7/16 | 1 11/32 | 0.104 | 3 11/16 | 11/32 | 0.011           | 0.104 | 3 1/32 | 1 1/2  | 1,100              | 1.08           |
|           | 1 3/16         | TFPS3251-316◆●□△ |                               |      |       |                                 |                                  |                 |        |         |       |         |       |                 |       |        |        |                    | 1.05           |
|           | 1 1/4          | TFPS3251-14S◆●□△ |                               |      |       |                                 |                                  |                 |        |         |       |         |       |                 |       |        |        |                    | 1.02           |
|           | 30.00          | TFPS325-30◆●□△   |                               |      |       |                                 |                                  |                 |        |         |       |         |       |                 |       |        |        |                    | 90.50          |

**Additional Notes**

- Please call 1-866-REXNORD for availability
- Lip seals standard
- ◆ Available with E1 viton seals
- Available with free running style seals, add suffix ● FF, □ HFF or △ MHFF
- For the Selection Guide, Load Ratings and Speed Limits, see the MB Ball Bearing Engineering section
- Note: Dimensions subject to change. Certified dimensions of ordered material furnished on request.

# FPS325

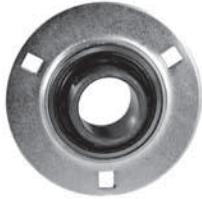
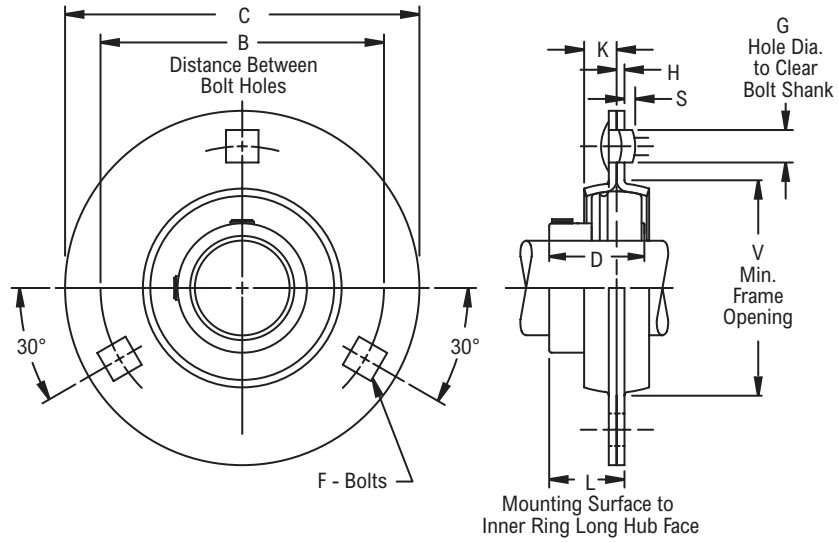


Photo Shows a 2-Bolt Ball Bearing Flanged Unit with Stamped Steel Housing

### Product Features

- 2-piece formed steel housing
- Spring locking setscrew mount
- Alignable & non-relubricatable
- 3-bolt carriage mounting
- See Features & Benefits for additional info.



### Bearing Dimensions

| Size Code | Shaft Diameter | Part Number     | B<br>Distance<br>Between<br>Bolt Holes | F     |      | G<br>Hole Dia.<br>to Clear<br>Bolt Shank | L<br>Mounting Surface<br>to Inner Ring<br>Long Hub Face | V<br>Frame<br>Opening | C       | D       | H     | K     | S<br>Carriage Bolt |       | Radial<br>Load<br>Rating | Approx.<br>Weight |
|-----------|----------------|-----------------|--|-------|------|--|---|-----------------------|---------|---------|-------|-------|--------------------|-------|--------------------------|-------------------|
|           |                |                 |  | Hole  | Bolt |  |   |                       |         |         |       |       | Short              | Long  |                          |                   |
| 203       | 1/2            | FPS325-12♦●□Δ   | 2 1/2                                  | 9/32  | 1/4  | 13/32                                    | 23/32   | 1 15/16               | 3 3/16  | 63/64   | 0.075 | 9/32  | 0.006              | 0.100 | 600                      | 0.50              |
|           | 5/8            | FPS325-58♦●□Δ   |  |       |      |  |   |                       |         |         |       |       |                    |       |                          | 0.46              |
|           | 11/16          | FPS325-1116♦●□Δ |  |       |      |  |   |                       |         |         |       |       |                    |       |                          | 0.44              |
| 204       | 3/4            | FPS325-34♦●□Δ   | 2 13/16                                | 11/32 | 5/16 | 1/2                                      | 53/64   | 2 3/16                | 3 9/16  | 1 1/8   | 0.083 | 5/16  | 0.021              | 0.115 | 700                      | 0.76              |
|           | 20.00          | FPS325-20♦●□Δ   | 71.40                                  | 8.730 | 5/16 | 12.70                                    | 21.00   | 55.60                 | 90.50   | 28.58   | 2.110 | 7.90  | 0.021              | 0.115 | 3,110                    | 0.30              |
| 205       | 7/8            | FPS325-78♦●□Δ   | 3                                      | 11/32 | 5/16 | 1/2                                      | 7/8   | 2 3/8                 | 3 3/4   | 1 11/64 | 0.083 | 11/32 | 0.021              | 0.115 | 800                      | 0.93              |
|           | 15/16          | FPS325-1516♦●□Δ |  |       |      |  |   |                       |         |         |       |       |                    |       |                          | 0.90              |
|           | 1              | FPS3251♦●□Δ     |  |       |      |  |   |                       |         |         |       |       |                    |       |                          | 0.87              |
|           | 25.00          | FPS325-25♦●□Δ   | 76.20                                  | 8.730 | 5/16 | 12.70                                    | 22.20   | 60.30                 | 95.20   | 29.77   | 2.110 | 8.70  | 0.021              | 0.115 | 3,560                    | 0.40              |
| 206       | 1 1/8          | FPS3251-18♦●□Δ  | 3 9/16                                 | 13/32 | 3/8  | 19/32                                    | 1 1/16  | 2 13/16               | 4 7/16  | 1 11/32 | 0.104 | 11/32 | 0.011              | 0.104 | 1,100                    | 1.39              |
|           | 1 3/16         | FPS3251-316♦●□Δ |  |       |      |  |   |                       |         |         |       |       |                    |       |                          | 1.36              |
|           | 1 1/4          | FPS3251-14S♦●□Δ |  |       |      |  |   |                       |         |         |       |       |                    |       |                          | 1.33              |
|           | 30.00          | FPS325-30♦●□Δ   |  |       |      |  |   |                       |         |         |       |       |                    |       |                          | 90.50             |
| 207       | 1 1/4          | FPS3251-14♦●□Δ  | 3 15/16                                | 13/32 | 3/8  | 19/32                                    | 1 7/32  | 3 3/16                | 4 13/16 | 1 9/16  | 0.104 | 3/8   | 0.011              | 0.104 | 1,400                    | 1.90              |
|           | 1 3/8          | FPS3251-38♦●□Δ  |  |       |      |  |   |                       |         |         |       |       |                    |       |                          | 1.80              |
|           | 1 7/16         | FPS3251-716♦●□Δ |  |       |      |  |   |                       |         |         |       |       |                    |       |                          | 1.75              |

### Additional Notes

- Please call 1-866-REXNORD for availability
- Lip seals standard
- ♦ Available with E1 viton seals
- Available with free running style seals, add suffix ● FF, □ HFF or Δ MHFF
- For the Selection Guide, Load Ratings and Speed Limits, see the MB Ball Bearing Engineering section
- Note: Dimensions subject to change. Certified dimensions of ordered material furnished on request.



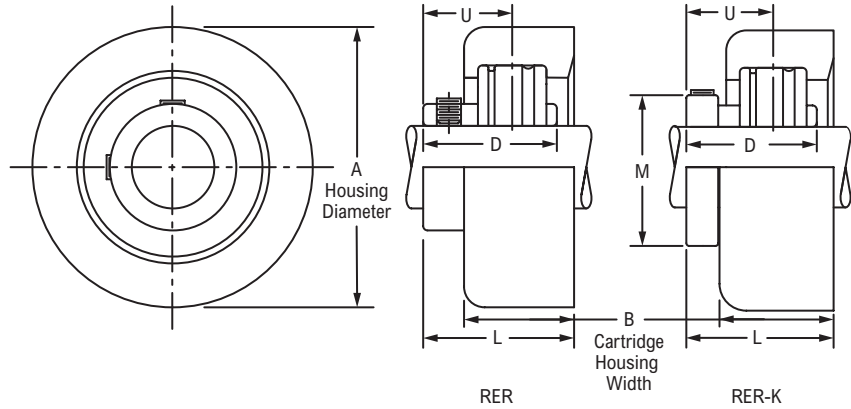
RER, RER-K



Photo Shows a Rubber Mounted ER Ball Bearing Cartridge Unit

Product Features

- Rubber mounted housing
- Optional mounting feature
- Non-relubricatable
- See Features & Benefits for additional info.



Bearing Dimensions

| Size Code | Shaft Diameter | Part Number  |             | A Housing Diameter | B Cartridge Housing Width | D      | L       | M       | U     | Radial Load Rating | Approx. Weight |
|-----------|----------------|--------------|-------------|--------------------|---------------------------|--------|---------|---------|-------|--------------------|----------------|
|           |                | Centrik-Lok  | Setscrew    |                    |                           |        |         |         |       |                    |                |
| 204       | 1/2            | RER8K♦● □Δ   | RER8♦● □Δ   | 2 17/32            | 1                         | 1 7/32 | 1 3/8   | 1 1/8   | 13/16 | 200                | 0.58           |
|           | 5/8            | RER10K♦● □Δ  | RER10♦● □Δ  |                    |                           |        |         | 1 13/64 |       |                    | 0.54           |
|           | 3/4            | RER12K♦● □Δ  | RER12♦● □Δ  |                    |                           |        |         | 1 3/8   |       |                    | 0.50           |
|           | 20.00          | RER204K♦● □Δ | RER204♦● □Δ | 64.30              | 25.40                     | 30.96  | 34.90   | 30.60   | 20.60 | 890                | 0.20           |
| 205       | 7/8            | RER14K♦● □Δ  | RER14♦● □Δ  | 2 17/32            | 1                         | 1 3/8  | 1 25/64 | 1 9/16  | 55/64 | 250                | 0.58           |
|           | 15/16          | RER15K♦● □Δ  | RER15♦● □Δ  |                    |                           |        |         | 1 9/16  |       |                    | 0.56           |
|           | 1              | RER16K♦● □Δ  | RER16♦● □Δ  |                    |                           |        |         | 1 9/16  |       |                    | 0.54           |
|           | 25.00          | RER205K♦● □Δ | RER205♦● □Δ | 64.30              | 25.40                     | 34.92  | 35.30   | 39.70   | 21.80 | 1,110              | 0.30           |
| 206       | 1 1/8          | RER18K♦● □Δ  | RER18♦● □Δ  | 3 3/32             | 1 3/16                    | 1 1/2  | 1 5/8   | 1 13/16 | 29/32 | 300                | 1.01           |
|           | 1 3/16         | RER19K♦● □Δ  | RER19♦● □Δ  |                    |                           |        |         | 2       |       |                    | 0.97           |
|           | 1 1/4          | RER20SK♦● □Δ | RER20S♦● □Δ |                    |                           |        |         | 2       |       |                    | 0.92           |
|           | 30.00          | RER206K♦● □Δ | RER206♦● □Δ | 78.60              | 30.20                     | 38.10  | 41.30   | 50.80   | 23.00 | 1,330              | 0.40           |

Additional Notes

- Please call 1-866-REXNORD for availability
- Lip seals standard
- ♦ Available with E1 viton seals
- Available with free running style seals, add suffix ● FF, □ HFF or Δ MHFF
- For the Selection Guide, Load Ratings and Speed Limits, see the MB Ball Bearing Engineering section
- Note: Dimensions subject to change. Certified dimensions of ordered material furnished on request.

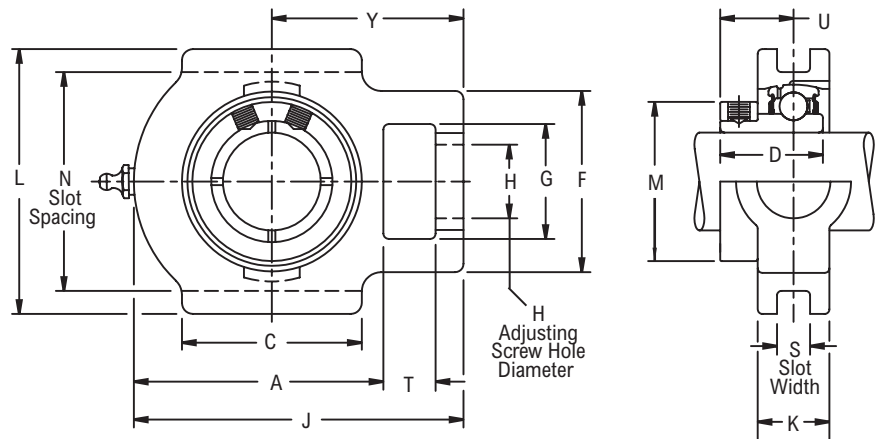
## TC25K (Scheduled to be discontinued in 2013)



Photo Shows a Ball Bearing Take-up Unit

### Product Features

- Corrosion-resistant powder coating
- Cast iron housing
- Wide slot design
- Broad range of sealing options
- Centrik-Lok shaft locking device
- Alignable & relubricatable
- See Features & Benefits for additional info.



### Bearing Dimensions

| Size Code | Shaft Diameter | Part Number     | H Adjusting Screw Hole Diameter | N Slot Spacing | S Slot Width | A       | C     | D       | F      | G       | J       | K      | L       | M       | T      | U       | Y       | Approx. Weight |
|-----------|----------------|-----------------|---------------------------------|----------------|--------------|---------|-------|---------|--------|---------|---------|--------|---------|---------|--------|---------|---------|----------------|
| 204       | 3/4            | TC25K-34◆ □Δ    | 3/4                             | 3.000          | 0.531        | 2 7/8   | 2     | 1 5/64  | 2      | 1 1/4   | 3 7/8   | 1 3/8  | 3 1/2   | 1 3/8   | 5/8    | 45/64   | 2 7/16  | 1.86           |
|           | 7/8            | TC25K-78◆ □Δ    |                                 |                |              |         |       |         |        |         |         |        |         |         |        |         |         | 1.85           |
| 205       | 15/16          | TC25K1-1516◆ □Δ | 3/4                             | 3.000          | 0.531        | 2 7/8   | 2     | 1 1/8   | 2      | 1 1/4   | 3 7/8   | 1 3/8  | 3 1/2   | 1 9/16  | 5/8    | 3/4     | 2 7/16  | 1.82           |
|           | 1              | TC25K1◆ □Δ      |                                 |                |              |         |       |         |        |         |         |        |         | 1.79    |        |         |         |                |
|           | 25.00          | TC25K-25◆ □Δ    |                                 |                |              |         |       |         |        |         |         |        |         | 19.00   |        |         |         | 76.200         |
| 206       | 1 1/8          | TC25K1-18◆ □Δ   | 7/8                             | 3.500          | 0.531        | 3 3/8   | 2 1/4 | 1 19/64 | 2 3/16 | 1 7/16  | 4 1/2   | 1 9/16 | 4 1/8   | 1 13/16 | 11/16  | 29/32   | 2 3/4   | 2.75           |
|           | 1 3/16         | TC25K1-316◆ □Δ  |                                 |                |              |         |       |         |        |         |         |        |         | 2.72    |        |         |         |                |
|           | 1 1/4          | TC25K1-14S◆ □Δ  |                                 |                |              |         |       |         |        |         |         |        |         | 2.69    |        |         |         |                |
|           | 30.00          | TC25K-30◆ □Δ    |                                 |                |              |         |       |         |        |         |         |        |         | 22.20   |        |         |         | 88.900         |
| 207       | 1 1/4          | TC25K1-14◆ □Δ   | 7/8                             | 3.500          | 0.531        | 4       | 2 1/2 | 1 15/32 | 2 3/8  | 1 7/16  | 5       | 1 9/16 | 4 1/8   | 2       | 11/16  | 1 1/64  | 3 1/16  | 3.19           |
|           | 1 3/8          | TC25K1-38◆ □Δ   |                                 |                |              |         |       |         |        |         |         |        |         | 3.09    |        |         |         |                |
|           | 1 7/16         | TC25K1-716◆ □Δ  |                                 |                |              |         |       |         |        |         |         |        |         | 3.03    |        |         |         |                |
| 208       | 1 1/2          | TC25K1-12◆ □Δ   | 1 1/8                           | 3.969          | 0.688        | 4 3/16  | 3 1/4 | 1 9/16  | 3 1/4  | 1 15/16 | 5 5/8   | 2 1/16 | 4 3/4   | 2 1/2   | 7/8    | 1 5/64  | 3 1/2   | 5.24           |
|           | 1 5/8          | TC25K1-58◆ □Δ   |                                 |                |              |         |       |         |        |         |         |        |         |         |        |         |         | 5.10           |
| 209       | 1 5/8          | TC25K1-58L◆ □Δ  | 1 1/8                           | 3.969          | 0.688        | 4 3/16  | 3 1/4 | 1 19/32 | 3 1/4  | 1 15/16 | 5 5/8   | 2 1/16 | 4 3/4   | 2 1/2   | 7/8    | 1 1/16  | 3 7/16  | 4.84           |
|           | 1 11/16        | TC25K1-1116◆ □Δ |                                 |                |              |         |       |         |        |         |         |        |         | 4.77    |        |         |         |                |
|           | 1 3/4          | TC25K1-34◆ □Δ   |                                 |                |              |         |       |         |        |         |         |        |         | 4.70    |        |         |         |                |
|           | 1 7/8          | TC25K1-78◆ □Δ   |                                 |                |              |         |       |         |        |         |         |        |         | 4.96    |        |         |         |                |
| 210       | 1 15/16        | TC25K1-1516◆ □Δ | 1 1/8                           | 3.969          | 0.688        | 4 7/16  | 3 1/4 | 1 41/64 | 3 1/4  | 1 15/16 | 5 7/8   | 2 1/16 | 4 3/4   | 2 7/8   | 7/8    | 1 3/32  | 3 9/16  | 4.87           |
|           | 2              | TC25K2◆ □Δ      |                                 |                |              |         |       |         |        |         |         |        |         |         |        |         |         | 4.78           |
|           | 2              | TC25K2L◆ □Δ     |                                 |                |              |         |       |         |        |         |         |        |         |         |        |         |         | 8.78           |
| 211       | 2 3/16         | TC25K2-316◆ □Δ  | 1 3/8                           | 5.094          | 1.062        | 4 7/8   | 3 3/4 | 1 3/4   | 4      | 2 1/2   | 6 13/16 | 2 1/2  | 5 7/8   | 2 7/8   | 1 3/16 | 1 7/32  | 4 3/16  | 8.58           |
|           | 2 1/4          | TC25K2-14◆ □Δ   |                                 |                |              |         |       |         |        |         |         |        |         | 8.38    |        |         |         |                |
|           | 2 1/4          | TC25K2-14L◆ □Δ  |                                 |                |              |         |       |         |        |         |         |        |         | 9.67    |        |         |         |                |
| 212       | 2 3/8          | TC25K2-38◆ □Δ   | 1 3/8                           | 5.094          | 1.062        | 5 5/8   | 4     | 1 57/64 | 4      | 2 1/2   | 7 9/16  | 2 1/2  | 5 7/8   | 3 1/8   | 1 3/16 | 1 5/16  | 4 11/16 | 9.43           |
|           | 2 7/16         | TC25K2-716◆ □Δ  |                                 |                |              |         |       |         |        |         |         |        |         | 9.31    |        |         |         |                |
| 215       | 2 15/16        | TC25K2-1516◆ □Δ | 1 5/8                           | 5.906          | 1.062        | 6 27/32 | 4 3/4 | 2 1/8   | 4 3/16 | 2 3/4   | 8 15/16 | 2 3/4  | 6 11/16 | 3 15/16 | 1 5/16 | 1 21/64 | 5 1/2   | 14.24          |

### Additional Notes

- Please call 1-866-REXNORD for availability
- Lubrication fitting tap size, 1/8 in PT
- Lip seals standard
- ◆ Available with E1 viton seals for size codes 212 and smaller
- ◆ Available with TFF viton seals for size codes above 212
- Available with free running style seals, add suffix ● FF, □ HFF or Δ MHFF for size codes 212 and smaller
- Add suffix ● FF, □ SFF or Δ MKFF for size codes above 212

For the Selection Guide, Load Ratings and Speed Limits, see the MB Ball Bearing Engineering section  
 Note: Dimensions subject to change. Certified dimensions of ordered material furnished on request.

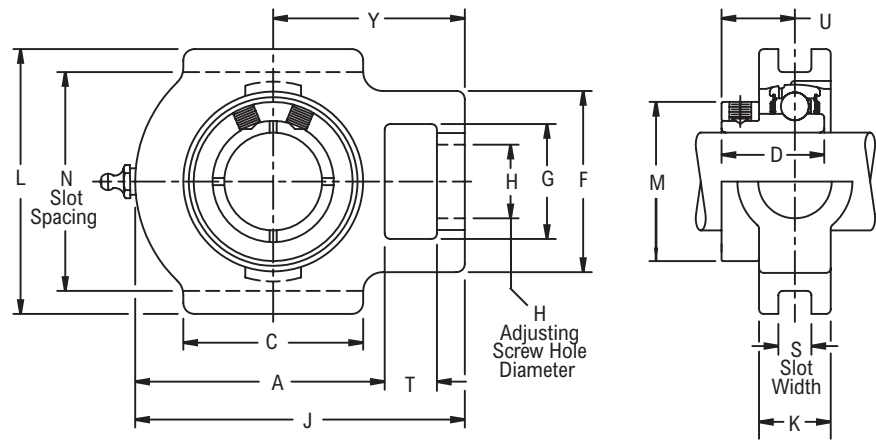
# TC35K (Scheduled to be discontinued in 2013)



Photo Shows a Ball Bearing Take-up Unit

## Product Features

- Corrosion-resistant powder coating
- Cast iron housing
- Wide slot design
- Broad range of sealing options
- Centrik-Lok shaft locking device
- Alignable & relubricatable
- See Features & Benefits for additional info.



## Bearing Dimensions

| Size Code | Shaft Diameter | Part Number     | H Adjusting Screw Hole Diameter | N Slot Spacing | S Slot Width | A       | C     | D       | F      | G       | J       | K      | L       | M       | T       | U       | Y       | Approx. Weight |
|-----------|----------------|-----------------|---------------------------------|----------------|--------------|---------|-------|---------|--------|---------|---------|--------|---------|---------|---------|---------|---------|----------------|
| 206       | 1              | TC35K1◆●□△      | 7/8                             | 3.500          | 0.531        | 3 3/8   | 2 1/4 | 1 19/64 | 2 3/16 | 1 7/16  | 4 1/2   | 1 9/16 | 4 1/8   | 1 13/16 | 1 11/16 | 29/32   | 2 3/4   | 2.88           |
| 207       | 1 3/16         | TC35K1-316◆●□△  | 7/8                             | 3.500          | 0.531        | 4       | 2 1/2 | 1 15/32 | 2 3/8  | 1 7/16  | 5       | 1 9/16 | 4 1/8   | 2       | 1 11/16 | 1 1/32  | 3 1/16  | 3.20           |
| 208       | 1 7/16         | TC35K1-716◆●□△  | 1 1/8                           | 3.969          | 0.688        | 4 3/16  | 3 1/4 | 1 9/16  | 3 1/4  | 1 15/16 | 5 5/8   | 2 1/16 | 4 3/4   | 2 1/4   | 7/8     | 1 3/32  | 3 1/2   | 5.29           |
| 209       | 1 1/2          | TC35K1-12◆●□△   | 1 1/8                           | 3.969          | 0.688        | 4 3/16  | 3 1/4 | 1 19/32 | 3 1/4  | 1 15/16 | 5 5/8   | 2 1/16 | 4 3/4   | 2 1/2   | 7/8     | 1 1/8   | 3 7/16  | 4.96           |
| 210       | 1 11/16        | TC35K1-1116◆●□△ | 1 1/8                           | 3.969          | 0.688        | 4 7/16  | 3 1/4 | 1 41/64 | 3 1/4  | 1 15/16 | 5 7/8   | 2 1/16 | 4 3/4   | 2 3/4   | 7/8     | 1 5/32  | 3 9/16  | 5.21           |
|           | 1 3/4          | TC35K1-34◆●□△   |                                 |                |              |         |       |         |        |         |         |        |         |         |         |         |         |                |
| 211       | 1 15/16        | TC35K1-1516◆●□△ | 1 3/8                           | 5.094          | 1.062        | 4 7/8   | 3 3/4 | 1 3/4   | 4      | 2 1/2   | 6 13/16 | 2 1/2  | 5 7/8   | 2 7/8   | 1 3/16  | 1 7/32  | 4 3/16  | 8.87           |
| 212       | 2 3/16         | TC35K2-316◆●□△  | 1 3/8                           | 5.094          | 1.062        | 5 5/8   | 4     | 1 57/64 | 4      | 2 1/2   | 7 9/16  | 2 1/2  | 5 7/8   | 3 1/8   | 1 3/16  | 1 5/16  | 4 11/16 | 8.79           |
| 214       | 2 7/16         | TC35K2-716◆●□△  | 1 5/8                           | 5.906          | 1.062        | 6 19/32 | 4 3/4 | 2 5/64  | 4 3/8  | 2 3/4   | 8 11/16 | 2 3/4  | 6 11/16 | 3 3/4   | 1 5/16  | 1 7/16  | 5 3/8   | 15.09          |
|           | 2 1/2          | TC35K2-12◆●□△   |                                 |                |              |         |       |         |        |         |         |        |         |         |         |         |         |                |
| 215       | 2 11/16        | TC35K2-1116◆●□△ | 1 5/8                           | 5.906          | 1.062        | 6 27/32 | 4 3/4 | 2 1/8   | 4 3/8  | 2 3/4   | 8 15/16 | 2 3/4  | 6 11/16 | 3 15/16 | 1 5/16  | 1 15/32 | 5 1/2   | 14.87          |

## Additional Notes

- Please call 1-866-REXNORD for availability
- Lubrication fitting tap size, 1/8 in PT
- Lip seals standard
- ◆ Available with E1 viton seals for size codes 212 and smaller
- ◆ Available with TFF viton seals for size codes above 212
- Available with free running style seals, add suffix ● FF, □ HFF or △ MHFF for size codes 212 and smaller
- Add suffix ● FF, □ SFF or △ MKFF for size codes above 212

For the Selection Guide, Load Ratings and Speed Limits, see the MB Ball Bearing Engineering section  
 Note: Dimensions subject to change. Certified dimensions of ordered material furnished on request.

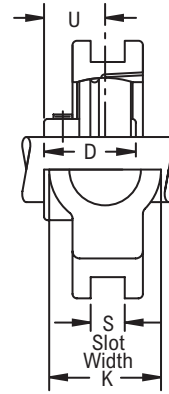
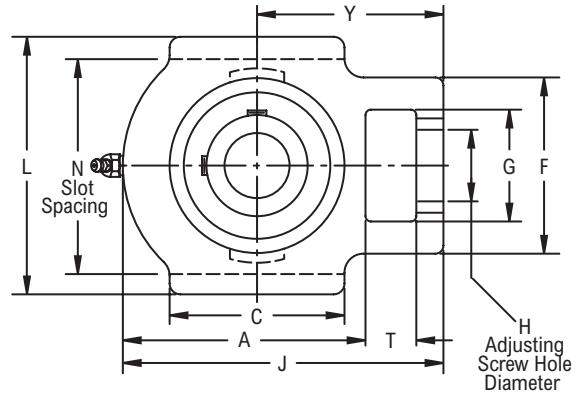
## TC35 (Scheduled to be discontinued in 2013)



Photo Shows a Ball Bearing Take-up Unit

### Product Features

- Corrosion-resistant powder coating
- Cast iron housing
- Wide slot design
- Broad range of sealing options
- Spring locking setscrew mount
- Alignable & relubricatable
- See Features & Benefits for additional info.



### Bearing Dimensions

| Size Code | Shaft Diameter | Part Number    | H Adjusting Screw Hole Diameter | N Slot Spacing | S Slot Width | A       | C     | D       | F      | G       | J       | K      | L       | T      | U       | Y       | Approx. Weight |
|-----------|----------------|----------------|---------------------------------|----------------|--------------|---------|-------|---------|--------|---------|---------|--------|---------|--------|---------|---------|----------------|
| 206       | 1              | TC351◆●□Δ      | 7/8                             | 3.500          | 0.531        | 3 3/8   | 2 1/4 | 1 11/32 | 2 3/16 | 1 7/16  | 4 1/2   | 1 9/16 | 4 1/8   | 11/16  | 61/64   | 2 3/4   | 2.88           |
| 207       | 1 3/16         | TC351-316◆●□Δ  | 7/8                             | 3.500          | 0.531        | 4       | 2 1/2 | 1 9/16  | 2 3/8  | 1 7/16  | 5       | 1 9/16 | 4 1/8   | 11/16  | 1 7/64  | 3 1/16  | 3.20           |
| 208       | 1 7/16         | TC351-716◆●□Δ  | 1 1/8                           | 3.969          | 0.688        | 4 3/16  | 3 1/4 | 1 21/32 | 3 1/4  | 1 15/16 | 5 5/8   | 2 1/16 | 4 3/4   | 7/8    | 1 11/64 | 3 1/2   | 5.29           |
| 209       | 1 1/2          | TC351-12◆●□Δ   | 1 1/8                           | 3.969          | 0.688        | 4 3/16  | 3 1/4 | 1 49/64 | 3 1/4  | 1 15/16 | 5 5/8   | 2 1/16 | 4 3/4   | 7/8    | 1 15/64 | 3 7/16  | 4.96           |
| 210       | 1 11/16        | TC351-1116◆●□Δ | 1 1/8                           | 3.969          | 0.688        | 4 7/16  | 3 1/4 | 1 13/16 | 3 1/4  | 1 15/16 | 5 7/8   | 2 1/16 | 4 3/4   | 7/8    | 1 17/64 | 3 9/16  | 5.21           |
|           | 1 3/4          | TC351-34◆●□Δ   |                                 |                |              |         |       |         |        |         |         |        |         |        |         |         |                |
| 211       | 1 15/16        | TC351-1516◆●□Δ | 1 3/8                           | 5.094          | 1.062        | 4 7/8   | 3 3/4 | 1 13/16 | 4      | 2 1/2   | 6 13/16 | 2 1/2  | 5 7/8   | 1 3/16 | 1 9/32  | 4 3/16  | 8.87           |
|           | 2              | TC352◆●□Δ      |                                 |                |              |         |       |         |        |         |         |        |         |        |         |         |                |
| 212       | 2 3/16         | TC352-316◆●□Δ  | 1 3/8                           | 5.094          | 1.062        | 5 5/8   | 4     | 1 57/64 | 4      | 2 1/2   | 7 9/16  | 2 1/2  | 5 7/8   | 1 3/16 | 1 5/16  | 4 11/16 | 8.79           |
|           | 2 1/4          | TC352-14◆●□Δ   |                                 |                |              |         |       |         |        |         |         |        |         |        |         |         |                |
| 214       | 2 7/16         | TC352-716◆●□Δ  | 1 5/8                           | 5.906          | 1.062        | 6 19/32 | 4 3/4 | 2 15/64 | 4 3/8  | 2 3/4   | 8 11/16 | 2 3/4  | 6 11/16 | 1 5/16 | 1 7/16  | 5 3/8   | 15.09          |
|           | 2 1/2          | TC352-12◆●□Δ   |                                 |                |              |         |       |         |        |         |         |        |         |        |         |         |                |
| 215       | 2 11/16        | TC352-1116◆●□Δ | 1 5/8                           | 5.906          | 1.062        | 6 27/32 | 4 3/4 | 2 17/64 | 4 3/8  | 2 3/4   | 8 15/16 | 2 3/4  | 6 11/16 | 1 5/16 | 1 15/32 | 5 1/2   | 14.87          |

### Additional Notes

- Please call 1-866-REXNORD for availability
- Lubrication fitting tap size, 1/8 in PT
- Lip seals standard
- ◆ Available with E1 viton seals for size codes 212 and smaller
- ◆ Available with TFF viton seals for size codes above 212
- Available with free running style seals, add suffix ● FF, □ HFF or Δ MHFF for size codes 212 and smaller
- Add suffix ● FF, □ SFF or Δ MKFF for size codes above 212

For the Selection Guide, Load Ratings and Speed Limits, see the MB Ball Bearing Engineering section  
 Note: Dimensions subject to change. Certified dimensions of ordered material furnished on request.

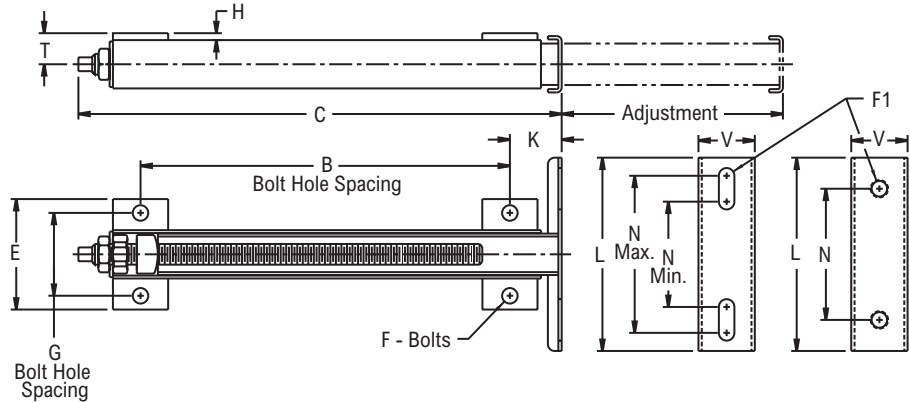
# TP, TPT, TSP, TSPT



Photo Shows a T-Frame Protected Screw Take-up Frame for Ball Bearing Pillow Block Mounting

## Product Features

- Protected screw T-frame take-up
- Mild steel or AISI 304 stainless steel frame
- Pillow block or tapped base pillow block mounting
- Pillow blocks not included
- See Features & Benefits for additional info.



## Bearing Dimensions

| Size Code                                | Adjust. Length | Mild Steel  |                | Stainless Steel |                | Bolt Hole Spacing |                   | Mounting Plate Bolt Hole Spacing |         |         | C      | E       | F   | F1   | H   | K     | L     | T       | V     | Adjust. Screw |             |
|--|----------------|-------------|----------------|-----------------|----------------|-------------------|-------------------|----------------------------------|---------|---------|--------|---------|-----|------|-----|-------|-------|---------|-------|---------------|-------------|
|  |                | Part Number | Approx. Weight | Part Number     | Approx. Weight | B                 | G Width Direction | N                                | N min.  | N max   |        |         |     |      |     |       |       |         |       | Sq. Drive     | Thread Size |
| <b>Pillow Block Mounting</b>             |                |             |                |                 |                |                   |                   |                                  |         |         |        |         |     |      |     |       |       |         |       |               |             |
| 203-205                                  | 3              | TP1003      | 3.00           | TSP1003         | 2.60           | 3 9/16            | 2 5/8             | -                                | 2 15/16 | 4 5/16  | 6 7/8  | 1 1/2   | 3/8 | 3/8  | 1/4 | 1 1/2 | 5 1/4 | 3 11/16 | 7/8   | 3/8           | 5/8 - 11    |
|  | 6              | TP1006      | 4.00           | TSP1006         | 3.50           | 7 1/16            |                   |                                  |         |         | 10 3/8 |         |     |      |     |       |       |         |       |               |             |
|  | 9              | TP1009      | 5.10           | TSP1009         | 4.40           | 11 1/16           |                   |                                  |         |         | 14 3/8 |         |     |      |     |       |       |         |       |               |             |
| 206-209                                  | 12             | TP25012     | 9.90           | TSP25012        | 8.10           | 13 3/8            | 3                 | -                                | 3 13/16 | 5 11/16 | 17 1/2 | 2 1/32  | 1/2 | 1/2  | 1/4 | 1 7/8 | 7     | 4       | 1 1/8 | 1/2           | 3/4 - 10    |
|  | 3              | TP2503      | 5.80           | TSP2503         | 4.80           | 4 3/8             |                   |                                  |         |         | 8 1/2  |         |     |      |     |       |       |         |       |               |             |
|  | 6              | TP2506      | 7.10           | TSP2506         | 5.80           | 7 3/8             |                   |                                  |         |         | 11 1/2 |         |     |      |     |       |       |         |       |               |             |
|  | 9              | TP2509      | 8.40           | TSP2509         | 7.00           | 10 3/8            |                   |                                  |         |         | 14 1/2 |         |     |      |     |       |       |         |       |               |             |
| 210-212                                  | 12             | TP30012     | 16.00          | TSP30012        | 16.50          | 14 1/8            | 4                 | -                                | 5 9/16  | 8 11/16 | 19 1/8 | 2 27/32 | 5/8 | 5/8  | 1/4 | 2 1/4 | 10    | 5 1/4   | 1 1/2 | 1/2           | 7/8 - 9     |
|  | 18             | TP30018     | 20.40          | TSP30018        | 21.60          | 21 1/8            |                   |                                  |         |         | 26 1/8 |         |     |      |     |       |       |         |       |               |             |
|  | 6              | TP3006      | 11.00          | TSP3006         | 11.40          | 6 1/8             |                   |                                  |         |         | 11 1/8 |         |     |      |     |       |       |         |       |               |             |
|  | 9              | TP3009      | 13.10          | TSP3009         | 13.40          | 10 1/8            |                   |                                  |         |         | 15 1/8 |         |     |      |     |       |       |         |       |               |             |
| 213-217                                  | 12             | TP40012     | 42.90          | -               | -              | 20                | 5 1/2             | -                                | 8 1/2   | 11 3/4  | 27 3/4 | 3 1/2   | 3/4 | 3/4  | 1/4 | 3 1/2 | 14    | 7 1/2   | 2 1/8 | Pinned Nut    | 1 1/4 - 7   |
|  | 18             | TP40018     | 52.10          | -               | -              | 26                |                   |                                  |         |         | 33 3/4 |         |     |      |     |       |       |         |       |               |             |
|  | 24             | TP40024     | 61.30          | -               | -              | 32                |                   |                                  |         |         | 39 3/4 |         |     |      |     |       |       |         |       |               |             |
| <b>Tapped Base Pillow Block Mounting</b> |                |             |                |                 |                |                   |                   |                                  |         |         |        |         |     |      |     |       |       |         |       |               |             |
| 204-205                                  | 3              | TPT1003     | 3.00           | TSPT1003        | 2.60           | 3 9/16            | 2 5/8             | 2                                | -       | -       | 6 7/8  | 1 1/2   | 3/8 | 3/8  | 1/4 | 1 1/2 | 3     | 3 11/16 | 7/8   | 3/8           | 5/8 - 11    |
|  | 6              | TPT1006     | 4.00           | TSPT1006        | 3.50           | 7 1/16            |                   |                                  |         |         | 10 3/8 |         |     |      |     |       |       |         |       |               |             |
|  | 9              | TPT1009     | 5.10           | TSPT1009        | 4.40           | 11 1/16           |                   |                                  |         |         | 14 3/8 |         |     |      |     |       |       |         |       |               |             |
| 206                                      | 12             | TPT250112   | 9.90           | TSPT250112      | 8.10           | 13 3/8            | 3                 | 3                                | -       | -       | 17 1/2 | 1 1/2   | 1/2 | 7/16 | 1/4 | 1 7/8 | 4     | 4       | 1 1/8 | 1/2           | 3/4 - 10    |
|  | 3              | TPT25013    | 5.80           | TSPT25013       | 4.80           | 4 3/8             |                   |                                  |         |         | 8 1/2  |         |     |      |     |       |       |         |       |               |             |
|  | 6              | TPT25016    | 7.10           | TSPT25016       | 5.80           | 7 3/8             |                   |                                  |         |         | 11 1/2 |         |     |      |     |       |       |         |       |               |             |
|  | 9              | TPT25019    | 8.40           | TSPT25019       | 7.00           | 10 3/8            |                   |                                  |         |         | 14 1/2 |         |     |      |     |       |       |         |       |               |             |
| 207                                      | 12             | TPT250212   | 9.90           | TSPT250212      | 8.10           | 13 3/8            | 3                 | 3 1/4                            | -       | -       | 17 1/2 | 2       | 1/2 | 1/2  | 1/4 | 1 7/8 | 4 1/4 | 4       | 1 1/8 | 1/2           | 3/4 - 10    |
|  | 3              | TPT25023    | 5.80           | TSPT25023       | 4.80           | 4 3/8             |                   |                                  |         |         | 8 1/2  |         |     |      |     |       |       |         |       |               |             |
|  | 6              | TPT25026    | 7.10           | TSPT25026       | 5.80           | 7 3/8             |                   |                                  |         |         | 11 1/2 |         |     |      |     |       |       |         |       |               |             |
| 210                                      | 9              | TPT25029    | 8.40           | TSPT25029       | 7.00           | 10 3/8            | 3                 | 4                                | -       | -       | 14 1/2 | 2       | 1/2 | 5/8  | 1/4 | 1 7/8 | 5 1/2 | 4       | 1 1/8 | 1/2           | 3/4 - 10    |
|  | 12             | TPT250512   | 9.90           | TSPT250512      | 8.10           | 13 3/8            |                   |                                  |         |         | 17 1/2 |         |     |      |     |       |       |         |       |               |             |
|  | 3              | TPT25053    | 5.80           | TSPT25053       | 4.80           | 4 3/8             |                   |                                  |         |         | 8 1/2  |         |     |      |     |       |       |         |       |               |             |
|  | 6              | TPT25056    | 7.10           | TSPT25056       | 5.80           | 7 3/8             |                   |                                  |         |         | 11 1/2 |         |     |      |     |       |       |         |       |               |             |
|  | 9              | TPT25059    | 8.40           | TSPT25059       | 7.00           | 10 3/8            |                   |                                  |         |         | 14 1/2 |         |     |      |     |       |       |         |       |               |             |

## Additional Notes

- Please call 1-866-REXNORD for availability
- For pillow block dimensions, see Pillow Block Ball Bearing section
- Note: Dimensions subject to change. Certified dimensions of ordered material furnished on request.

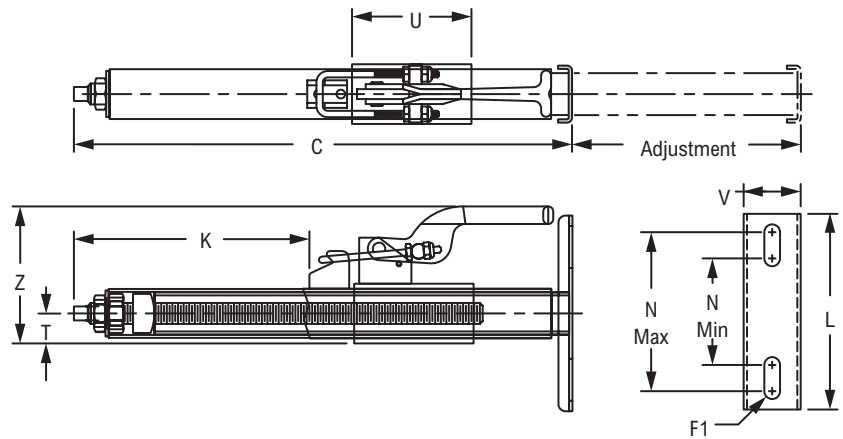
TQP



Photo Shows a T-Frame Quick Release Take-up Frame for Ball Bearing Pillow Block Mounting

Product Features

- Protected screw T-frame take-up
- AISI 304 stainless steel frame
- Pillow block mounting
- Pillow blocks not included
- See Features & Benefits for additional info.



Bearing Dimensions

| Size Code | Adjust. Length | Part Number | Bolt Hole Spacing |         | C      | F1  | K       | L     | T   | U | V      | Z      | Adjust. Screw |             | Approx. Weight |
|-----------|----------------|-------------|-------------------|---------|--------|-----|---------|-------|-----|---|--------|--------|---------------|-------------|----------------|
|           |                |             | N min             | N max   |        |     |         |       |     |   |        |        | Sq Drive      | Thread Size |                |
| 203-205   | 6              | TQP1006     | 2 15/16           | 4 5/16  | 10 3/8 | 3/8 | 3 23/32 | 5 1/4 | 3/4 | 3 | 1 1/2  | 3 7/16 | 3/8           | 5/8 - 11    | 4.00           |
|           | 9              | TQP1009     | 2 15/16           | 4 5/16  | 14 3/8 | 3/8 | 5 23/32 | 5 1/4 | 3/4 | 5 | 1 1/2  | 3 7/16 |               |             | 5.00           |
| 206-209   | 6              | TQP2506     | 3 13/16           | 5 11/16 | 11 1/2 | 1/2 | 1 9/16  | 7     | 1   | 4 | 2 1/32 | 4 7/8  | 1/2           | 3/4 - 10    | 7.00           |
|           | 9              | TQP2509     | 3 13/16           | 5 11/16 | 14 1/2 | 1/2 | 3 1/16  | 7     | 1   | 6 | 2 1/32 | 4 7/8  |               |             | 8.20           |
|           | 12             | TQP25012    | 3 13/16           | 5 11/16 | 17 1/2 | 1/2 | 4 9/16  | 7     | 1   | 8 | 2 1/32 | 4 7/8  |               |             | 9.50           |

Additional Notes

Please call 1-866-REXNORD for availability  
 For pillow block dimensions, see Pillow Block Ball Bearing section  
 Note: Dimensions subject to change. Certified dimensions of ordered material furnished on request.

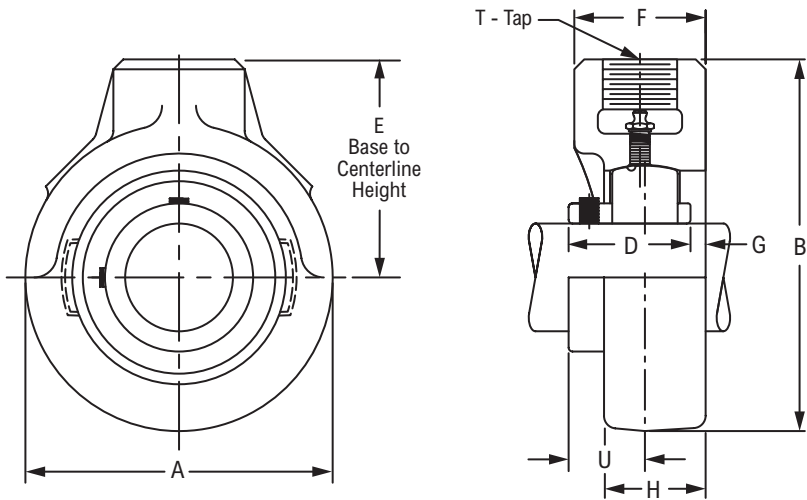
# MCHB



Photo Shows a Screw Conveyor Hanger Ball Bearing Unit

## Product Features

- Corrosion-resistant powder coating
- Cast iron housing
- Broad range of sealing options
- Spring locking setscrew mount
- Alignable & relubricatable
- See Features & Benefits for additional info.



## Bearing Dimensions

| Size Code | Shaft Diameter | Part Number     | E Base to Centerline Height | T     |              | A      | B       | D       | F       | G     | H       | U       | Approx. Weight |
|-----------|----------------|-----------------|-----------------------------|-------|--------------|--------|---------|---------|---------|-------|---------|---------|----------------|
|           |                |                 |                             | Depth | Tap          |        |         |         |         |       |         |         |                |
| 206       | 1              | MCHB1◆●□△       | 2 1/2                       | 5/8   | 3/4-14       | 3 3/8  | 4 3/16  | 1 11/32 | 1 21/32 | 7/16  | 1 7/32  | 61/64   | 2.34           |
|           | 1 1/8          | MCHB1-18◆●□△    |                             |       |              |        |         |         |         |       |         |         | 2.25           |
|           | 1 3/16         | MCHB1-316S◆●□△  |                             |       |              |        |         |         |         |       |         |         | 2.22           |
|           | 1 1/4          | MCHB1-14S◆●□△   |                             |       |              |        |         |         |         |       |         |         | 2.19           |
|           | 30.00          | MCHB-30◆●□△     | 63.50                       | 15.90 | 3/4-14       | 85.70  | 106.40  | 34.14   | 42.10   | 11.10 | 31.00   | 24.20   | 1.00           |
| 207       | 1 3/16         | MCHB1-316◆●□△   | 2 3/4                       | 5/8   | 3/4-14       | 3 7/8  | 4 11/16 | 1 9/16  | 1 21/32 | 3/8   | 1 9/32  | 1 7/64  | 3.35           |
|           | 1 1/4          | MCHB1-14◆●□△    |                             |       |              |        |         |         |         |       |         |         | 3.34           |
|           | 1 3/8          | MCHB1-38◆●□△    |                             |       |              |        |         |         |         |       |         |         | 3.24           |
|           | 1 7/16         | MCHB1-716S◆●□△  |                             |       |              |        |         |         |         |       |         |         | 3.18           |
|           | 35.00          | MCHB-35◆●□△     | 69.80                       | 15.90 | 3/4-14       | 98.40  | 119.10  | 39.67   | 42.10   | 9.50  | 32.50   | 28.20   | 1.50           |
| 208       | 1 7/16         | MCHB1-716◆●□△   | 2 7/8                       | 5/8   | 3/4-14       | 4      | 4 7/8   | 1 21/32 | 1 21/32 | 11/32 | 1 11/32 | 1 11/64 | 3.44           |
|           | 1 1/2          | MCHB1-12◆●□△    |                             |       |              |        |         |         |         |       |         |         | 3.39           |
|           | 1 5/8          | MCHB1-58◆●□△    |                             |       |              |        |         |         |         |       |         |         | 3.25           |
|           | 40.00          | MCHB-40◆●□△     |                             |       |              |        |         |         |         |       |         |         | 73.00          |
| 210       | 1 11/16        | MCHB1-1116◆●□△  | 3 1/4                       | 13/16 | 1-11 1/2     | 4 5/8  | 5 9/16  | 1 13/16 | 1 7/8   | 13/32 | 1 13/32 | 1 17/64 | 5.06           |
|           | 1 3/4          | MCHB1-34◆●□△    |                             |       |              |        |         |         |         |       |         |         | 4.98           |
|           | 1 7/8          | MCHB1-78◆●□△    |                             |       |              |        |         |         |         |       |         |         | 4.81           |
|           | 1 15/16        | MCHB1-1516◆●□△  |                             |       |              |        |         |         |         |       |         |         | 4.72           |
|           | 2              | MCHB2◆●□△       |                             |       |              |        |         |         |         |       |         |         | 4.63           |
| 212       | 2 3/16         | MCHB2-316◆●□△   | 4                           | 1 1/8 | 1 1/4-11 1/2 | 5 5/8  | 6 13/16 | 1 57/64 | 2 5/16  | 37/64 | 1 5/8   | 1 5/16  | 8.44           |
|           | 2 3/8          | MCHB2-38◆●□△    |                             |       |              |        |         |         |         |       |         |         | 8.08           |
|           | 2 7/16         | MCHB2-716◆●□△   |                             |       |              |        |         |         |         |       |         |         | 7.96           |
| 215       | 2 11/16        | MCHB2-1116◆●□△  | 4 5/8                       | 1 1/4 | 1 1/2-11 1/2 | 6 1/2  | 7 7/8   | 2 17/64 | 2 3/4   | 37/64 | 1 31/32 | 1 15/32 | 12.27          |
|           | 2 3/4          | MCHB2-34◆●□△    |                             |       |              |        |         |         |         |       |         |         | 12.14          |
|           | 2 15/16        | MCHB2-1516◆●□△  |                             |       |              |        |         |         |         |       |         |         | 11.64          |
| 216       | 2 15/16        | MCHB2-1516L◆●□△ | 4 7/8                       | 1 1/4 | 1 1/2-11 1/2 | 7      | 8 3/8   | 2 23/64 | 2 13/16 | 35/64 | 2 1/16  | 1 1/2   | 16.00          |
|           | 3              | MCHB3◆●□△       |                             |       |              |        |         |         |         |       |         |         | 15.82          |
| 218       | 3 3/16         | MCHB3-316◆●□△   | 6                           | 1 3/4 | 2-11 1/2     | 8 5/16 | 10 5/32 | 2 33/64 | 3 1/2   | 25/32 | 2 1/8   | 1 9/16  | 25.66          |
|           | 3 7/16         | MCHB3-716◆●□△   |                             |       |              |        |         |         |         |       |         |         | 24.77          |
|           | 3 1/2          | MCHB3-12◆●□△    |                             |       |              |        |         |         |         |       |         |         | 24.58          |

## Additional Notes

- Please call 1-866-REXNORD for availability
- Lubrication fitting tap size, 1/8 in PT
- Lip seals standard
- ◆ Available with E1 viton seals for size codes 212 and smaller
- ◆ Available with TFF viton seals for size codes above 212
- Available with free running style seals, add suffix ● FF, □ HFF or △ MHFF for size codes 212 and smaller
- Add suffix ● FF, □ SFF or △ MKFF for size codes above 212

For the Selection Guide, Load Ratings and Speed Limits, see the MB Ball Bearing Engineering section  
 Note: Dimensions subject to change. Certified dimensions of ordered material furnished on request.

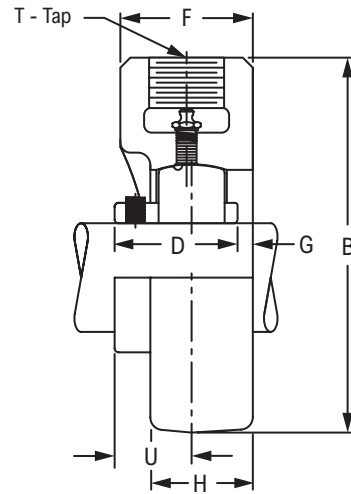
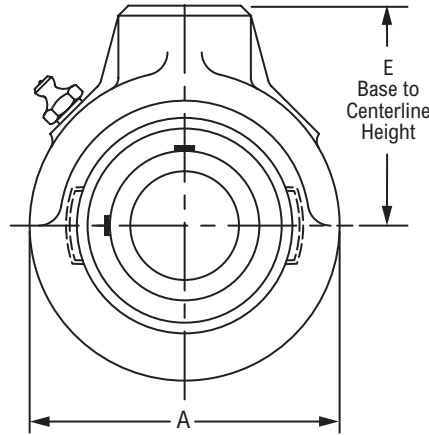
# MEHB



Photo Shows a Screw Conveyor Hanger Ball Bearing Unit

### Product Features

- Corrosion-resistant powder coating
- Cast iron housing
- Broad range of sealing options
- Spring locking setscrew mount
- Alignable & relubricatable
- See Features & Benefits for additional info.



### Bearing Dimensions

| Size Code | Shaft Diameter | Part Number     | E<br>Base to<br>Centerline<br>Height | T     |              | A      | B       | D       | F       | G     | H       | U       | Approx.<br>Weight |
|-----------|----------------|-----------------|--------------------------------------|-------|--------------|--------|---------|---------|---------|-------|---------|---------|-------------------|
|           |                |                 |                                      | Depth | Tap          |        |         |         |         |       |         |         |                   |
| 206       | 1              | MEHB1◆●□△       | 2 1/2                                | 5/8   | 3/4-14       | 3 3/8  | 4 3/16  | 1 11/32 | 1 21/32 | 7/16  | 1 7/32  | 61/64   | 2.34              |
|           | 1 1/8          | MEHB1-18◆●□△    |                                      |       |              |        |         |         |         |       |         |         | 2.25              |
|           | 1 3/16         | MEHB1-316S◆●□△  |                                      |       |              |        |         |         |         |       |         |         | 2.22              |
|           | 1 1/4          | MEHB1-14S◆●□△   |                                      |       |              |        |         |         |         |       |         |         | 2.19              |
|           | 30.00          | MEHB-30◆●□△     | 63.50                                | 15.90 | 3/4-14       | 85.70  | 106.40  | 34.14   | 42.10   | 11.10 | 31.00   | 24.20   | 1.00              |
| 207       | 1 3/16         | MEHB1-316◆●□△   | 2 3/4                                | 5/8   | 3/4-14       | 3 7/8  | 4 11/16 | 1 9/16  | 1 21/32 | 3/8   | 1 9/32  | 1 7/64  | 3.35              |
|           | 1 1/4          | MEHB1-14◆●□△    |                                      |       |              |        |         |         |         |       |         |         | 3.34              |
|           | 1 3/8          | MEHB1-38◆●□△    |                                      |       |              |        |         |         |         |       |         |         | 3.24              |
|           | 1 7/16         | MEHB1-716S◆●□△  |                                      |       |              |        |         |         |         |       |         |         | 3.18              |
|           | 35.00          | MEHB-35◆●□△     | 69.80                                | 15.90 | 3/4-14       | 98.40  | 119.10  | 39.67   | 42.10   | 9.50  | 32.50   | 28.20   | 1.50              |
| 208       | 1 7/16         | MEHB1-716◆●□△   | 2 7/8                                | 5/8   | 3/4-14       | 4      | 4 7/8   | 1 21/32 | 1 21/32 | 11/32 | 1 11/32 | 1 11/64 | 3.44              |
|           | 1 1/2          | MEHB1-12◆●□△    |                                      |       |              |        |         |         |         |       |         |         | 3.39              |
|           | 1 5/8          | MEHB1-58◆●□△    |                                      |       |              |        |         |         |         |       |         |         | 3.25              |
|           | 40.00          | MEHB-40◆●□△     |                                      |       |              |        |         |         |         |       |         |         | 73.00             |
| 210       | 1 11/16        | MEHB1-1116◆●□△  | 3 1/4                                | 13/16 | 1-11 1/2     | 4 5/8  | 5 9/16  | 1 13/16 | 1 7/8   | 13/32 | 1 13/32 | 1 17/64 | 5.06              |
|           | 1 3/4          | MEHB1-34◆●□△    |                                      |       |              |        |         |         |         |       |         |         | 4.98              |
|           | 1 7/8          | MEHB1-78◆●□△    |                                      |       |              |        |         |         |         |       |         |         | 4.81              |
|           | 1 15/16        | MEHB1-1516◆●□△  |                                      |       |              |        |         |         |         |       |         |         | 4.72              |
|           | 2              | MEHB2◆●□△       |                                      |       |              |        |         |         |         |       |         |         | 4.63              |
| 212       | 2 3/16         | MEHB2-316◆●□△   | 4                                    | 1 1/8 | 1 1/4-11 1/2 | 5 5/8  | 6 13/16 | 1 57/64 | 2 5/16  | 37/64 | 1 5/8   | 1 5/16  | 8.44              |
|           | 2 3/8          | MEHB2-38◆●□△    |                                      |       |              |        |         |         |         |       |         |         | 8.08              |
|           | 2 7/16         | MEHB2-716◆●□△   |                                      |       |              |        |         |         |         |       |         |         | 7.96              |
| 215       | 2 11/16        | MEHB2-1116◆●□△  | 4 5/8                                | 1 1/4 | 1 1/2-11 1/2 | 6 1/2  | 7 7/8   | 2 17/64 | 2 3/4   | 37/64 | 1 31/32 | 1 15/32 | 12.27             |
|           | 2 3/4          | MEHB2-34◆●□△    |                                      |       |              |        |         |         |         |       |         |         | 12.14             |
|           | 2 15/16        | MEHB2-1516◆●□△  |                                      |       |              |        |         |         |         |       |         |         | 11.64             |
| 216       | 2 15/16        | MEHB2-1516L◆●□△ | 4 7/8                                | 1 1/4 | 1 1/2-11 1/2 | 7      | 8 3/8   | 2 23/64 | 2 13/16 | 35/64 | 2 1/16  | 1 1/2   | 16.00             |
|           | 3              | MEHB3◆●□△       |                                      |       |              |        |         |         |         |       |         |         | 15.82             |
| 218       | 3 3/16         | MEHB3-316◆●□△   | 6                                    | 1 3/4 | 2-11 1/2     | 8 5/16 | 10 5/32 | 2 33/64 | 3 1/2   | 25/32 | 2 1/8   | 1 9/16  | 25.66             |
|           | 3 7/16         | MEHB3-716◆●□△   |                                      |       |              |        |         |         |         |       |         |         | 24.77             |
|           | 3 1/2          | MEHB3-12◆●□△    |                                      |       |              |        |         |         |         |       |         |         | 24.58             |

### Additional Notes

- Please call 1-866-REXNORD for availability
- Lubrication fitting tap size, 1/8 in PT
- Lip seals standard
- ◆ Available with E1 viton seals for size codes 212 and smaller
- ◆ Available with TFF viton seals for size codes above 212
- Available with free running style seals, add suffix ● FF, □ HFF or △ MHFF for size codes 212 and smaller
- Add suffix ● FF, □ SFF or △ MKFF for size codes above 212

For the Selection Guide, Load Ratings and Speed Limits, see the MB Ball Bearing Engineering section  
 Note: Dimensions subject to change. Certified dimensions of ordered material furnished on request.



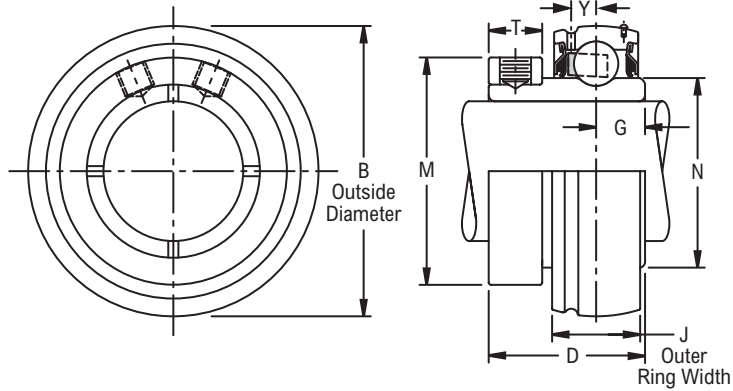
# KMB25 (Scheduled to be discontinued in 2013)



Photo Shows an Unmounted Ball Bearing Unit

## Product Features

- Broad range of sealing options
- Centrik-Lok shaft locking device
- Sealed & relubricatable
- Spherical O.D.
- See Features & Benefits for additional info.



## Bearing Dimensions

| Size Code | Shaft Diameter | Part Number         | B O.D.  | J Outer Ring Width | T     |         | D       | G      | M       | N      | Y     | Approx. Weight |
|-----------|----------------|---------------------|---------|--------------------|-------|---------|---------|--------|---------|--------|-------|----------------|
|           |                |                     |         |                    | Width | Tap     |         |        |         |        |       |                |
| 203       | 1/2            | KMB25-12-PA♦♦ □Δ    | 1.5748  | 0.5118             | 9/32  | #10-32  | 63/64   | 0.3440 | 1 1/8   | 0.941  | 0.158 | 0.27           |
|           | 5/8            | KMB25-58-PA♦♦ □Δ    |         |                    |       |         |         |        | 1 13/64 |        |       | 0.24           |
|           | 11/16          | KMB25-1116-PA♦♦ □Δ  |         |                    |       |         |         |        |         |        |       | 0.22           |
| 204       | 3/4            | KMB25-34-PA♦♦ □Δ    | 1.8504  | 0.5906             | 11/32 | 1/4-28  | 1 5/64  | 0.3610 | 1 3/8   | 1.121  | 0.176 | 0.36           |
| 205       | 7/8            | KMB25-78-PA♦♦ □Δ    | 2.0472  | 0.5906             | 11/32 | 1/4-28  | 1 1/8   | 0.3670 | 1 9/16  | 1.313  | 0.176 | 0.48           |
|           | 15/16          | KMB25-1516-PA♦♦ □Δ  |         |                    |       |         |         |        |         |        |       | 0.45           |
|           | 1              | KMB251-PA♦♦ □Δ      |         |                    |       |         |         |        |         |        |       | 0.42           |
|           | 25.00          | KMB25-25-PA♦♦ □Δ    | 52.0000 | 15.0000            | 8.70  | M6X1    | 28.58   | 9.3200 | 39.70   | 33.350 | 4.470 | 0.20           |
| 206       | 1 1/8          | KMB251-18-PA♦♦ □Δ   | 2.4409  | 0.7087             | 7/16  | 1/4-28  | 1 19/64 | 0.3970 | 1 13/16 | 1.587  | 0.202 | 0.76           |
|           | 1 3/16         | KMB251-316-PA♦♦ □Δ  |         |                    |       |         |         |        |         |        |       | 0.74           |
|           | 1 1/4          | KMB251-14S-PA♦♦ □Δ  |         |                    |       |         |         |        |         |        |       | 0.71           |
|           | 30.00          | KMB25-30-PA♦♦ □Δ    |         |                    |       |         |         |        | 62.0000 |        |       | 18.0000        |
| 207       | 1 1/4          | KMB251-14-PA♦♦ □Δ   | 2.8346  | 0.7480             | 7/16  | 5/16-24 | 1 15/32 | 0.4420 | 2       | 1.847  | 0.227 | 1.13           |
|           | 1 3/8          | KMB251-38-PA♦♦ □Δ   |         |                    |       |         |         |        |         |        |       | 1.08           |
|           | 1 7/16         | KMB251-716-PA♦♦ □Δ  |         |                    |       |         |         |        |         |        |       | 1.02           |
| 208       | 1 1/2          | KMB251-12-PA♦♦ □Δ   | 3.1496  | 0.8661             | 7/16  | 5/16-24 | 1 9/16  | 0.4740 | 2 1/2   | 2.083  | 0.263 | 1.45           |
|           | 1 5/8          | KMB251-58-PA♦♦ □Δ   |         |                    |       |         |         |        |         |        |       | 1.31           |
| 209       | 1 5/8          | KMB251-58L-PA♦♦ □Δ  | 3.3465  | 0.8661             | 7/16  | 5/16-24 | 1 19/32 | 0.4770 | 2 1/2   | 2.281  | 0.256 | 1.62           |
|           | 1 11/16        | KMB251-1116-PA♦♦ □Δ |         |                    |       |         |         |        |         |        |       | 1.59           |
|           | 1 3/4          | KMB251-34-PA♦♦ □Δ   |         |                    |       |         |         |        |         |        |       | 1.55           |
| 210       | 1 7/8          | KMB251-78-PA♦♦ □Δ   | 3.5433  | 0.8661             | 9/16  | 3/8-24  | 1 41/64 | 0.4860 | 2 7/8   | 2.475  | 0.256 | 1.84           |
|           | 1 15/16        | KMB251-1516-PA♦♦ □Δ |         |                    |       |         |         |        |         |        |       | 1.75           |
|           | 2              | KMB252-PA♦♦ □Δ      |         |                    |       |         |         |        |         |        |       | 1.66           |
| 211       | 2              | KMB252L-PA♦♦ □Δ     | 3.9370  | 0.9843             | 9/16  | 3/8-24  | 1 3/4   | 0.5410 | 2 7/8   | 2.749  | 0.298 | 2.44           |
|           | 2 3/16         | KMB252-316-PA♦♦ □Δ  |         |                    |       |         |         |        |         |        |       | 2.24           |
|           | 2 1/4          | KMB252-14-PA♦♦ □Δ   |         |                    |       |         |         |        |         |        |       | 2.14           |
| 212       | 2 1/4          | KMB252-14L-PA♦♦ □Δ  | 4.3307  | 1.0630             | 9/16  | 3/8-24  | 1 57/64 | 0.5820 | 3 1/8   | 3.012  | 0.330 | 2.93           |
|           | 2 3/8          | KMB252-38-PA♦♦ □Δ   |         |                    |       |         |         |        |         |        |       | 2.90           |
|           | 2 7/16         | KMB252-716-PA♦♦ □Δ  |         |                    |       |         |         |        |         |        |       | 2.78           |
| 215       | 2 15/16        | KMB252-1516-PA♦♦ □Δ | 5.1181  | 1.1835             | 9/16  | 3/8-24  | 2 1/8   | 0.6590 | 3 15/16 | 3.632  | 0.266 | 4.40           |

## Additional Notes

- Please call 1-866-REXNORD for availability
- Bearing O.D. tolerance for size code 203 thru 208,
  - +0.0000 in/-0.0005 in (+0.000 mm/-0.013 mm) for all other size codes,
  - +0.0000 in/-0.0006 in (+0.000 mm/-0.015 mm)
- Lip seals standard
  - ♦ Available with E1 viton seals for size codes 212 and smaller
  - ♦ Available with TFF viton seals for size codes above 212

- Available with free running style seals, add suffix ♦ FF, □ HFF or Δ MHFF for size codes 212 and smaller
- Add suffix ♦ FF, □ SFF or Δ MKFF for size codes above 212
- For the Selection Guide, Load Ratings and Speed Limits, see the MB Ball Bearing Engineering section
- Note: Dimensions subject to change. Certified dimensions of ordered material furnished on request.

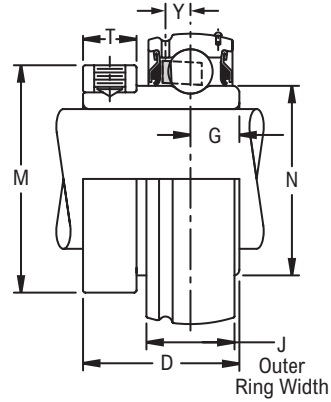
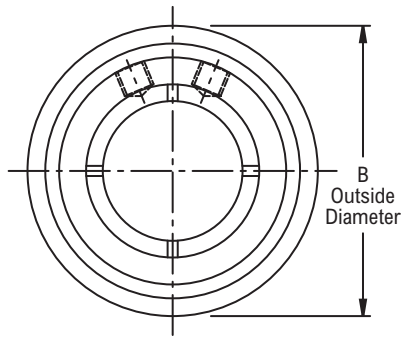
## KMB35 (Scheduled to be discontinued in 2013)



Photo Shows an Unmounted Ball Bearing Unit

### Product Features

- Broad range of sealing options
- Centrik-Lok shaft locking device
- Sealed & relubricatable
- Spherical O.D.
- See Features & Benefits for additional info.



### Bearing Dimensions

| Size Code | Shaft Diameter                  | Part Number        | B O.D. | J Outer Ring Width | D                               | G      | M                               | N     | T                |         | Y     | Approx. Weight |
|-----------|---------------------------------|--------------------|--------|--------------------|---------------------------------|--------|---------------------------------|-------|------------------|---------|-------|----------------|
|           |                                 |                    |        |                    |                                 |        |                                 |       | Width            | Tap     |       |                |
| 206       | 1                               | KMB351-PA◆●□Δ      | 2.4409 | 0.7087             | 1 <sup>19</sup> / <sub>64</sub> | 0.3970 | 1 <sup>13</sup> / <sub>16</sub> | 1.587 | 7/ <sub>16</sub> | 1/4-28  | 0.202 | 0.92           |
| 207       | 1 <sup>3</sup> / <sub>16</sub>  | KMB351-316-PA◆●□Δ  | 2.8346 | 0.7480             | 1 <sup>15</sup> / <sub>32</sub> | 0.4420 | 2                               | 1.847 | 7/ <sub>16</sub> | 5/16-24 | 0.227 | 1.30           |
| 208       | 1 <sup>7</sup> / <sub>16</sub>  | KMB351-716-PA◆●□Δ  | 3.1496 | 0.8661             | 1 <sup>9</sup> / <sub>16</sub>  | 0.4740 | 2 <sup>1</sup> / <sub>4</sub>   | 2.083 | 7/ <sub>16</sub> | 5/16-24 | 0.263 | 1.61           |
| 209       | 1 <sup>1</sup> / <sub>2</sub>   | KMB351-12-PA◆●□Δ   | 3.3465 | 0.8661             | 1 <sup>19</sup> / <sub>32</sub> | 0.4770 | 2 <sup>1</sup> / <sub>2</sub>   | 2.281 | 7/ <sub>16</sub> | 5/16-24 | 0.256 | 1.93           |
| 210       | 1 <sup>11</sup> / <sub>16</sub> | KMB351-1116-PA◆●□Δ | 3.5433 | 0.8661             | 1 <sup>41</sup> / <sub>64</sub> | 0.4860 | 2 <sup>3</sup> / <sub>4</sub>   | 2.475 | 9/ <sub>16</sub> | 3/8-24  | 0.256 | 2.29           |
|           | 1 <sup>3</sup> / <sub>4</sub>   | KMB351-34-PA◆●□Δ   |        |                    |                                 |        |                                 |       |                  |         |       |                |
| 211       | 1 <sup>15</sup> / <sub>16</sub> | KMB351-1516-PA◆●□Δ | 3.9370 | 0.9843             | 1 <sup>3</sup> / <sub>4</sub>   | 0.5410 | 2 <sup>7</sup> / <sub>8</sub>   | 2.749 | 9/ <sub>16</sub> | 3/8-24  | 0.298 | 2.58           |
| 212       | 2 <sup>3</sup> / <sub>16</sub>  | KMB352-316-PA◆●□Δ  | 4.3307 | 1.0630             | 1 <sup>57</sup> / <sub>64</sub> | 0.5820 | 3 <sup>1</sup> / <sub>8</sub>   | 3.012 | 9/ <sub>16</sub> | 3/8-24  | 0.330 | 3.44           |
| 214       | 2 <sup>7</sup> / <sub>16</sub>  | KMB352-716-PA◆●□Δ  | 4.9213 | 1.1545             | 2 <sup>5</sup> / <sub>64</sub>  | 0.6440 | 3 <sup>3</sup> / <sub>4</sub>   | 3.433 | 9/ <sub>16</sub> | 3/8-24  | 0.266 | 4.67           |
|           | 2 <sup>1</sup> / <sub>2</sub>   | KMB352-12-PA◆●□Δ   |        |                    |                                 |        |                                 |       |                  |         |       |                |
| 215       | 2 <sup>11</sup> / <sub>16</sub> | KMB352-1116-PA◆●□Δ | 5.1181 | 1.1835             | 2 <sup>1</sup> / <sub>8</sub>   | 0.6590 | 3 <sup>15</sup> / <sub>16</sub> | 3.632 | 9/ <sub>16</sub> | 3/8-24  | 0.266 | 4.78           |
| 216       | 2 <sup>15</sup> / <sub>16</sub> | KMB352-1516-PA◆●□Δ | 5.5118 | 1.2575             | 2 <sup>3</sup> / <sub>16</sub>  | 0.6960 | 4 <sup>3</sup> / <sub>16</sub>  | 3.920 | 9/ <sub>16</sub> | 3/8-24  | 0.282 | 5.80           |
|           | 3                               | KMB353-PA◆●□Δ      |        |                    |                                 |        |                                 |       |                  |         |       |                |
| 218       | 3 <sup>3</sup> / <sub>16</sub>  | KMB353-316-PA◆●□Δ  | 6.2992 | 1.3945             | 2 <sup>23</sup> / <sub>64</sub> | 0.8040 | 4 <sup>13</sup> / <sub>16</sub> | 4.396 | 9/ <sub>16</sub> | 3/8-24  | 0.313 | 8.71           |
|           | 3 <sup>7</sup> / <sub>16</sub>  | KMB353-716-PA◆●□Δ  |        |                    |                                 |        |                                 |       |                  |         |       | 7.82           |
|           | 3 <sup>1</sup> / <sub>2</sub>   | KMB353-12-PA◆●□Δ   |        |                    |                                 |        |                                 |       |                  |         |       | 7.63           |

### Additional Notes

- Please call 1-866-REXNORD for availability
- Bearing O.D. tolerance for size code 206 thru 208, +.0000 in/-.0005 in (+0.000 mm/-0.013 mm); for size code 209 thru 215, +.0000 in/-.0006 in (+0.000 mm/-0.015 mm); for all other size codes, +.0000 in/-.0008 in (+0.000 mm/-0.020 mm)
- Lip seals standard
- ◆ Available with E1 viton seals for size codes 212 and smaller
- ◆ Available with TFF viton seals for size codes above 212

- Available with free running style seals, add suffix ● FF, □ HFF or Δ MHFF for size codes 212 and smaller
- Add suffix ● FF, □ SFF or Δ MKFF for size codes above 212
- For the Selection Guide, Load Ratings and Speed Limits, see the MB Ball Bearing Engineering section
- Note: Dimensions subject to change. Certified dimensions of ordered material furnished on request.

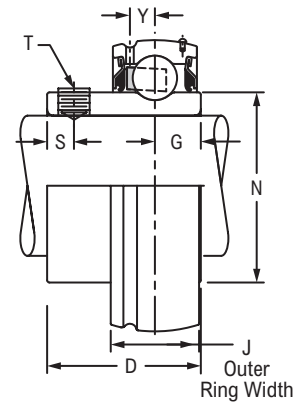
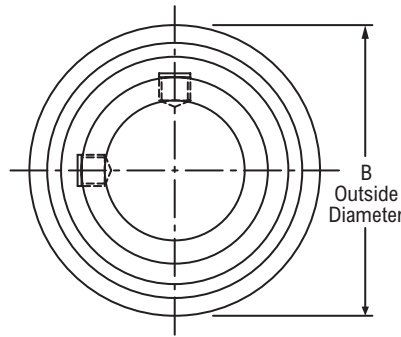
# MB35 (Scheduled to be discontinued in 2013)



Photo Shows an Unmounted Ball Bearing Unit

## Product Features

- Broad range of sealing options
- Spring locking setscrew mount
- Sealed & relubricatable
- Spherical O.D.
- See Features & Benefits for additional info.



## Bearing Dimensions

| Size Code | Shaft Diameter | Part Number      | B O.D. | J Outer Ring Width | D       | G      | N     | S    | T       | Y     | Approx. Weight |
|-----------|----------------|------------------|--------|--------------------|---------|--------|-------|------|---------|-------|----------------|
| 206       | 1              | MB351-PA●□△      | 2.4409 | 0.7087             | 1 11/32 | 0.3920 | 1.587 | 0.31 | 1/4-28  | 0.202 | 0.72           |
| 207       | 1 3/16         | MB351-316-PA●□△  | 2.8346 | 0.7480             | 1 9/16  | 0.4540 | 1.847 | 0.34 | 5/16-24 | 0.227 | 1.03           |
| 208       | 1 7/16         | MB351-716-PA●□△  | 3.1496 | 0.8661             | 1 21/32 | 0.4850 | 2.083 | 0.34 | 5/16-24 | 0.263 | 1.32           |
| 209       | 1 1/2          | MB351-12-PA●□△   | 3.3465 | 0.8661             | 1 49/64 | 0.5320 | 2.281 | 0.36 | 5/16-24 | 0.256 | 1.62           |
| 210       | 1 11/16        | MB351-1116-PA●□△ | 3.5433 | 0.8661             | 1 13/16 | 0.5320 | 2.475 | 0.38 | 3/8-24  | 0.256 | 1.82           |
|           | 1 3/4          | MB351-34-PA●□△   |        |                    |         |        |       |      |         |       | 1.74           |
| 211       | 1 15/16        | MB351-1516-PA●□△ | 3.9370 | 0.9843             | 1 13/16 | 0.5370 | 2.749 | 0.38 | 3/8-24  | 0.298 | 2.36           |
| 212       | 2 3/16         | MB352-316-PA●□△  | 4.3307 | 1.0630             | 1 57/64 | 0.5780 | 3.012 | 0.38 | 3/8-24  | 0.330 | 2.97           |
| 214       | 2 7/16         | MB352-716-PA●□△  | 4.9213 | 1.1545             | 2 15/64 | 0.8040 | 3.433 | 0.37 | 3/8-24  | 0.266 | 4.39           |
|           | 2 1/2          | MB352-12-PA●□△   |        |                    |         |        |       |      |         |       | 4.25           |
| 215       | 2 11/16        | MB352-1116-PA●□△ | 5.1181 | 1.1835             | 2 17/64 | 0.8040 | 3.632 | 0.37 | 3/8-24  | 0.266 | 4.49           |
| 216       | 2 15/16        | MB352-1516-PA●□△ | 5.5118 | 1.2575             | 2 23/64 | 0.8630 | 3.920 | 0.37 | 3/8-24  | 0.282 | 5.53           |
|           | 3              | MB353-PA●□△      |        |                    |         |        |       |      |         |       | 5.40           |
| 218       | 3 3/16         | MB353-316-PA●□△  | 6.2992 | 1.3945             | 2 33/64 | 0.9620 | 4.396 | 0.37 | 3/8-24  | 0.313 | 8.23           |
|           | 3 7/16         | MB353-716-PA●□△  |        |                    |         |        |       |      |         |       | 7.34           |
|           | 3 1/2          | MB353-12-PA●□△   |        |                    |         |        |       |      |         |       | 7.15           |

## Additional Notes

- Please call 1-866-REXNORD for availability
- Bearing O.D. tolerance for size code 206 thru 208, +.0000 in/-0.0005 in (+0.000 mm/-0.013 mm); for size code 209 thru 215, +.0000 in/-0.0006 in (+0.000 mm/-0.015 mm); for all other size codes, +.0000 in/-0.0008 in (+0.000 mm/-0.020 mm)
- Lip seals standard
- ◆ Available with E1 viton seals for size codes 212 and smaller
  - ◆ Available with TFF viton seals for size codes above 212
- Available with free running style seals, add suffix ● FF, □ HFF or △ MHFF for size codes 212 and smaller

Add suffix ● FF, □ SFF or △ MKFF for size codes above 212

For the Selection Guide, Load Ratings and Speed Limits, see the MB Ball Bearing Engineering section

Note: Dimensions subject to change. Certified dimensions of ordered material furnished on request.

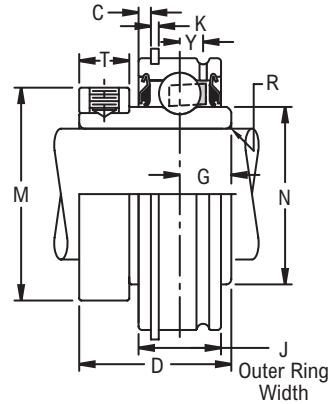
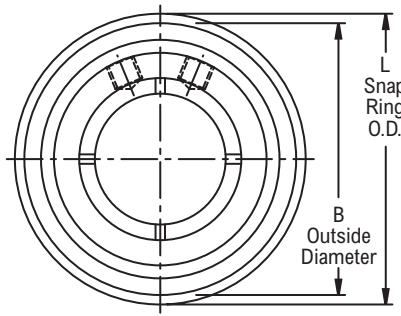
**ER-K**



Photo Shows an ER Adapter Series Ball Bearing Unit

**Product Features**

- Broad range of sealing options
- Centrik-Lok shaft locking device
- Sealed & relubricatable
- Cylindrical O.D.
- O.D. mounted snap ring
- See Features & Benefits for additional info.



**Bearing Dimensions**

| Size Code | Shaft Diameter | Part Number | B O.D.  | J Outer Ring Width | L Snap Ring O.D. | C    | D       | G       | K    | M       | N      | R    | T       |         | Y     | Approx. Weight |
|-----------|----------------|-------------|---------|--------------------|------------------|------|---------|---------|------|---------|--------|------|---------|---------|-------|----------------|
|           |                |             |         |                    |                  |      |         |         |      |         |        |      | Width   | Tap     |       |                |
| 204       | 1/2            | ER8K♦♦ □Δ   | 1.8504  | 0.6240             | 2 1/16           | 3/32 | 1 7/32  | 0.4050  | 3/64 | 1 1/8   | 1.154  | 0.04 | 9/32    | #10-32  | 0.142 | 0.62           |
|           | 5/8            | ER10K♦♦ □Δ  |         |                    |                  |      |         |         |      | 1 13/64 |        |      | 0.55    |         |       |                |
|           | 3/4            | ER12K♦♦ □Δ  |         |                    |                  |      |         |         |      | 1 3/8   |        |      | 0.54    |         |       |                |
|           | 20.00          | ER204K♦♦ □Δ |         |                    |                  |      |         |         |      | 47.0000 |        |      | 15.8500 | 52.40   |       | 2.40           |
| 205       | 7/8            | ER14K♦♦ □Δ  | 2.0472  | 0.7490             | 2 17/64          | 3/32 | 1 3/8   | 0.5080  | 3/64 | 1 9/16  | 1.313  | 0.04 | 11/32   | 1/4-28  | 0.185 | 0.65           |
|           | 15/16          | ER15K♦♦ □Δ  |         |                    |                  |      |         |         |      | 1 1/2   |        |      | 0.63    |         |       |                |
|           | 1              | ER16K♦♦ □Δ  |         |                    |                  |      |         |         |      | 2       |        |      | 0.61    |         |       |                |
|           | 25.00          | ER205K♦♦ □Δ |         |                    |                  |      |         |         |      | 52.0000 |        |      | 19.0250 | 57.60   |       | 2.40           |
| 206       | 1 1/8          | ER18K♦♦ □Δ  | 2.4409  | 0.8740             | 2 21/32          | 3/32 | 1 1/2   | 0.6250  | 3/64 | 1 13/16 | 1.587  | 0.04 | 7/16    | 1/4-28  | 0.224 | 0.96           |
|           | 1 3/16         | ER19K♦♦ □Δ  |         |                    |                  |      |         |         |      | 2       |        |      | 0.94    |         |       |                |
|           | 1 1/4          | ER20SK♦♦ □Δ |         |                    |                  |      |         |         |      | 2       |        |      | 0.90    |         |       |                |
| 207       | 1 1/4          | ER20K♦♦ □Δ  | 2.8346  | 0.9365             | 3 5/64           | 1/8  | 1 11/16 | 0.6880  | 1/16 | 2       | 1.847  | 0.04 | 7/16    | 5/16-24 | 0.256 | 1.75           |
|           | 1 3/8          | ER22K♦♦ □Δ  |         |                    |                  |      |         |         |      | 2 1/4   |        |      | 1.70    |         |       |                |
|           | 1 7/16         | ER23K♦♦ □Δ  |         |                    |                  |      |         |         |      | 2 1/2   |        |      | 1.62    |         |       |                |
| 208       | 1 1/2          | ER24K♦♦ □Δ  | 3.1496  | 1.0927             | 3 25/64          | 1/8  | 1 15/16 | 0.7500  | 1/16 | 2 1/2   | 2.083  | 0.06 | 7/16    | 5/16-24 | 0.297 | 2.18           |
|           | 40.00          | ER208K♦♦ □Δ | 80.0000 | 27.7550            | 86.10            | 3.20 | 49.22   | 19.0500 | 1.60 | 63.50   | 52.910 | 1.60 | 11.10   | M8X1.25 | 7.540 | 1.00           |
| 209       | 1 5/8          | ER26K♦♦ □Δ  | 3.3465  | 1.0927             | 3 19/32          | 1/8  | 1 15/16 | 0.7500  | 1/16 | 2 1/2   | 2.281  | 0.06 | 7/16    | 5/16-24 | 0.297 | 2.28           |
|           | 1 11/16        | ER27K♦♦ □Δ  |         |                    |                  |      |         |         |      | 2 11/16 |        |      | 2.22    |         |       |                |
|           | 1 3/4          | ER28K♦♦ □Δ  |         |                    |                  |      |         |         |      | 2 11/16 |        |      | 2.15    |         |       |                |
| 210       | 1 7/8          | ER30K♦♦ □Δ  | 3.5433  | 1.1240             | 3 25/32          | 1/8  | 2 1/32  | 0.7500  | 3/32 | 2 7/8   | 2.475  | 0.06 | 9/16    | 3/8-24  | 0.265 | 2.75           |
|           | 1 15/16        | ER31K♦♦ □Δ  |         |                    |                  |      |         |         |      | 2 7/8   |        |      | 2.61    |         |       |                |
| 211       | 2              | ER32K♦♦ □Δ  | 3.9370  | 1.1860             | 4 11/64          | 1/8  | 2 3/16  | 0.8750  | 3/32 | 2 7/8   | 2.749  | 0.08 | 9/16    | 3/8-24  | 0.298 | 3.38           |
|           | 2 3/16         | ER35K♦♦ □Δ  |         |                    |                  |      |         |         |      | 3 1/8   |        |      | 3.07    |         |       |                |
| 212       | 2 1/4          | ER36K♦♦ □Δ  | 4.3307  | 1.2490             | 4 9/16           | 1/8  | 2 9/16  | 1.0000  | 3/32 | 3 1/8   | 3.012  | 0.08 | 9/16    | 3/8-24  | 0.330 | 4.48           |
|           | 2 3/8          | ER38K♦♦ □Δ  |         |                    |                  |      |         |         |      | 3 3/8   |        |      | 4.38    |         |       |                |
|           | 2 7/16         | ER39K♦♦ □Δ  |         |                    |                  |      |         |         |      | 3 3/8   |        |      | 4.19    |         |       |                |
| 214       | 2 1/2          | ER40K♦♦ □Δ  | 4.9213  | 1.3740             | 5 9/32           | 5/32 | 2 3/4   | 1.0620  | 7/64 | 3 3/4   | 3.433  | 0.08 | 9/16    | 3/8-24  | 0.374 | 5.92           |
|           | 2 11/16        | ER43K♦♦ □Δ  |         |                    |                  |      |         |         |      | 3 15/16 |        |      | 5.49    |         |       |                |
| 215       | 2 7/8          | ER46K♦♦ □Δ  | 5.1181  | 1.4990             | 5 1/2            | 5/32 | 3 1/16  | 1.3130  | 7/64 | 4 3/16  | 3.632  | 0.08 | 9/16    | 3/8-24  | 0.374 | 6.60           |
|           | 2 15/16        | ER47K♦♦ □Δ  |         |                    |                  |      |         |         |      | 4 3/16  |        |      | 6.37    |         |       |                |
| 216       | 3              | ER48K♦♦ □Δ  | 5.5118  | 1.6865             | 5 7/8            | 5/32 | 3 1/4   | 1.3130  | 7/64 | 4 3/16  | 3.920  | 0.12 | 9/16    | 3/8-24  | 0.406 | 8.05           |
|           | 3 3/16         | ER51K♦♦ □Δ  |         |                    |                  |      |         |         |      | 4 3/16  |        |      | 7.56    |         |       |                |

**Additional Notes**

- Please call 1-866-REXNORD for availability
- Bearing O.D. tolerance for size code 204, +.0000 in/-.0005 in (+0.000 mm/-0.013 mm); for size code 205 thru 208, +.0000 in/-.0006 in (+0.000 mm/-0.015 mm); for size code 209 thru 212, +.0000 in/-.0008 in (+0.000 mm/-0.020 mm); for all other size codes, +.0000 in/-.0010 in (+0.000 mm/-0.025 mm)
- Lip seals standard
- ♦ Available with E1 viton seals for size codes 212 and smaller
- ♦ Available with TFF viton seals for size codes above 212

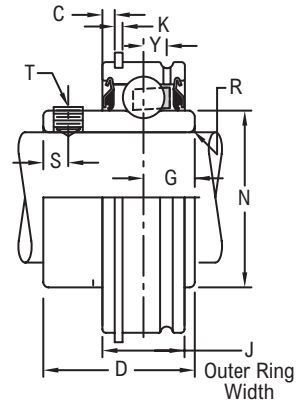
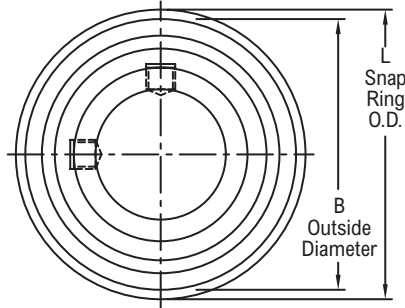
- Available with free running style seals, add suffix ♦ FF, □ HFF or Δ MHFF for size codes 212 and smaller
- Add suffix ♦ FF, □ SFF or Δ MKFF for size codes above 212
- For the Selection Guide, Load Ratings and Speed Limits, see the MB Ball Bearing Engineering section
- Note: Dimensions subject to change. Certified dimensions of ordered material furnished on request.



Photo Shows an ER Adapter Series Ball Bearing Unit

**Product Features**

- Broad range of sealing options
- Spring locking setscrew mount
- Sealed & relubricatable
- Cylindrical O.D.
- O.D. mounted snap ring
- See Features & Benefits for additional info.



**Bearing Dimensions**

| Size Code | Shaft Diameter | Part Number | B O.D.  | J Outer Ring Width | L Snap Ring O.D. | C    | D       | G       | K    | N      | R    | S     | T Tap Size | Y     | Approx. Weight |
|-----------|----------------|-------------|---------|--------------------|------------------|------|---------|---------|------|--------|------|-------|------------|-------|----------------|
| 204       | 1/2            | ER8♦♦ □Δ    | 1.8504  | 0.6240             | 2 1/16           | 3/32 | 1 7/32  | 0.4050  | 3/64 | 1.154  | 0.04 | 15/64 | #10-32     | 0.142 | 0.62           |
|           | 5/8            | ER10♦♦ □Δ   |         |                    |                  |      |         |         |      |        |      |       |            |       | 0.55           |
|           | 3/4            | ER12♦♦ □Δ   |         |                    |                  |      |         |         |      |        |      |       |            |       | 0.54           |
| 205       | 7/8            | ER14♦♦ □Δ   | 2.0472  | 0.7490             | 2 17/64          | 3/32 | 1 3/8   | 0.5080  | 3/64 | 1.313  | 0.04 | 15/64 | 1/4-28     | 0.185 | 0.65           |
|           | 15/16          | ER15♦♦ □Δ   |         |                    |                  |      |         |         |      |        |      |       |            |       | 0.63           |
|           | 1              | ER16♦♦ □Δ   |         |                    |                  |      |         |         |      |        |      |       |            |       | 0.61           |
|           | 25.00          | ER205♦♦ □Δ  | 52.0000 | 19.0250            | 57.60            | 2.40 | 34.92   | 12.9000 | 1.20 | 33.350 | 1.00 | 2.00  | M6X1       | 4.700 | 0.30           |
| 206       | 1 1/8          | ER18♦♦ □Δ   | 2.4409  | 0.8740             | 2 21/32          | 3/32 | 1 1/2   | 0.6250  | 3/64 | 1.587  | 0.04 | 1/4   | 1/4-28     | 0.224 | 0.96           |
|           | 1 3/16         | ER19♦♦ □Δ   |         |                    |                  |      |         |         |      |        |      |       |            |       | 0.94           |
|           | 1 1/4          | ER20S♦♦ □Δ  |         |                    |                  |      |         |         |      |        |      |       |            |       | 0.90           |
|           | 30.00          | ER206♦♦ □Δ  | 62.0000 | 22.2000            | 67.50            | 2.40 | 38.10   | 15.8800 | 1.20 | 40.310 | 1.00 | 6.40  | M6X1       | 5.690 | 0.40           |
| 207       | 1 1/4          | ER20♦♦ □Δ   | 2.8346  | 0.9365             | 3 5/64           | 1/8  | 1 11/16 | 0.6880  | 1/16 | 1.847  | 0.04 | 21/64 | 5/16-24    | 0.256 | 1.75           |
|           | 1 3/8          | ER22♦♦ □Δ   |         |                    |                  |      |         |         |      |        |      |       |            |       | 1.70           |
|           | 1 7/16         | ER23♦♦ □Δ   |         |                    |                  |      |         |         |      |        |      |       |            |       | 1.62           |
| 208       | 1 1/2          | ER24♦♦ □Δ   | 3.1496  | 1.0927             | 3 25/64          | 1/8  | 1 15/16 | 0.7500  | 1/16 | 2.083  | 0.06 | 3/8   | 5/16-24    | 0.297 | 2.18           |
|           | 40.00          | ER208♦♦ □Δ  | 80.0000 | 27.7550            | 86.10            | 3.20 | 49.22   | 19.0500 | 1.60 | 52.910 | 1.60 | 9.50  | M8X1.25    | 7.540 | 1.00           |
| 209       | 1 5/8          | ER26♦♦ □Δ   | 3.3465  | 1.0927             | 3 19/32          | 1/8  | 1 15/16 | 0.7500  | 1/16 | 2.281  | 0.06 | 3/8   | 5/16-24    | 0.297 | 2.28           |
|           | 1 11/16        | ER27♦♦ □Δ   |         |                    |                  |      |         |         |      |        |      |       |            |       | 2.22           |
|           | 1 3/4          | ER28♦♦ □Δ   |         |                    |                  |      |         |         |      |        |      |       |            |       | 2.15           |
| 210       | 1 7/8          | ER30♦♦ □Δ   | 3.5433  | 1.1240             | 3 25/32          | 1/8  | 2 1/32  | 0.7500  | 3/32 | 2.475  | 0.06 | 3/8   | 3/8-24     | 0.265 | 2.75           |
|           | 1 15/16        | ER31♦♦ □Δ   |         |                    |                  |      |         |         |      |        |      |       |            |       | 2.61           |
|           | 2              | ER32♦♦ □Δ   |         |                    |                  |      |         |         |      |        |      |       |            |       | 3.38           |
| 211       | 2              | ER35♦♦ □Δ   | 3.9370  | 1.1860             | 4 11/64          | 1/8  | 2 3/16  | 0.8750  | 3/32 | 2.749  | 0.08 | 3/8   | 3/8-24     | 0.298 | 3.07           |
|           | 2 3/16         | ER35♦♦ □Δ   |         |                    |                  |      |         |         |      |        |      |       |            |       | 3.07           |
|           | 2 1/4          | ER36♦♦ □Δ   |         |                    |                  |      |         |         |      |        |      |       |            |       | 4.48           |
| 212       | 2 3/8          | ER38♦♦ □Δ   | 4.3307  | 1.2490             | 4 9/16           | 1/8  | 2 9/16  | 1.0000  | 3/32 | 3.012  | 0.08 | 3/8   | 3/8-24     | 0.330 | 4.38           |
|           | 2 7/16         | ER39♦♦ □Δ   |         |                    |                  |      |         |         |      |        |      |       |            |       | 4.19           |
|           | 2 1/2          | ER40♦♦ □Δ   |         |                    |                  |      |         |         |      |        |      |       |            |       | 5.92           |
| 214       | 2 1/2          | ER40♦♦ □Δ   | 4.9213  | 1.3740             | 5 9/32           | 5/32 | 2 3/4   | 1.0620  | 7/64 | 3.433  | 0.08 | 3/8   | 3/8-24     | 0.374 | 5.49           |
|           | 2 11/16        | ER43♦♦ □Δ   |         |                    |                  |      |         |         |      |        |      |       |            |       | 5.49           |
| 215       | 2 7/8          | ER46♦♦ □Δ   | 5.1181  | 1.4990             | 5 1/2            | 5/32 | 3 1/16  | 1.3130  | 7/64 | 3.632  | 0.08 | 3/8   | 3/8-24     | 0.374 | 6.60           |
|           | 2 15/16        | ER47♦♦ □Δ   |         |                    |                  |      |         |         |      |        |      |       |            |       | 6.37           |
| 216       | 3              | ER48♦♦ □Δ   | 5.5118  | 1.6865             | 5 7/8            | 5/32 | 3 1/4   | 1.3130  | 7/64 | 3.920  | 0.12 | 3/8   | 3/8-24     | 0.406 | 8.05           |
|           | 3 3/16         | ER51♦♦ □Δ   |         |                    |                  |      |         |         |      |        |      |       |            |       | 7.56           |

**Additional Notes**

- Please call 1-866-REXNORD for availability
- Bearing O.D. tolerance for size code 204, +.0000 in/- .0005 in
- (+0.000 mm/-0.013 mm): for size code 205 thru 208, +.0000 in/- .0006 in (+0.000 mm/-0.015 mm): for size code 209 thru 212, +.0000 in/- .0008 in (+0.000 mm/-0.020 mm): for all other size codes, +.0000 in/- .0010 in (+0.000 mm/-0.025 mm)
- Lip seals standard
- ♦ Available with E1 viton seals for size codes 212 and smaller
- ♦ Available with TFF viton seals for size codes above 212

- Available with free running style seals, add suffix ♦ FF, □ HFF or Δ MHFF for size codes 212 and smaller
- Add suffix ♦ FF, □ SFF or Δ MKFF for size codes above 212
- For the Selection Guide, Load Ratings and Speed Limits, see the MB Ball Bearing Engineering section
- Note: Dimensions subject to change. Certified dimensions of ordered material furnished on request.

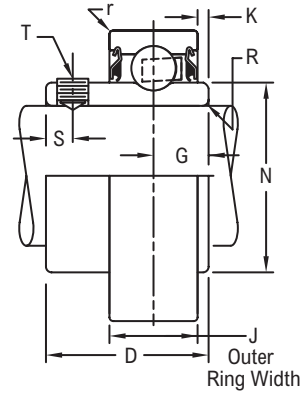
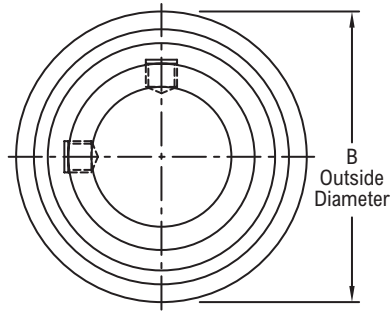
## MSL



Photo Shows an Unmounted Ball Bearing Unit with Cylindrical Outside Diameter

## Product Features

- Broad range of sealing options
- Wide inner ring for increased shaft stability
- Spring locking setscrew mount
- Sealed & non-relubricatable
- Cylindrical O.D.
- See Features & Benefits for additional info.



## Bearing Dimensions

| Size Code | Shaft Diameter  | Part Number | B O.D. | J Outer Ring Width | D                | G      | K              | N     | R     | r     | S              | T      | Approx. Weight |
|-----------|-----------------|-------------|--------|--------------------|------------------|--------|----------------|-------|-------|-------|----------------|--------|----------------|
| 203       | $\frac{1}{2}$   | MSL8◆●□△    | 1.5748 | 0.5118             | $\frac{31}{32}$  | 0.3910 | $\frac{7}{64}$ | 0.941 | 0.024 | 0.024 | $\frac{3}{16}$ | #10-32 | 0.24           |
|           | $\frac{5}{8}$   | MSL10◆●□△   |        |                    |                  |        |                |       |       |       |                |        |                |
| 204       | $\frac{3}{4}$   | MSL12◆●□△   | 1.8504 | 0.5906             | $1\frac{5}{32}$  | 0.4380 | $\frac{9}{64}$ | 1.121 | 0.039 | 0.039 | $\frac{3}{16}$ | #10-32 | 0.35           |
| 205       | 1               | MSL16◆●□△   | 2.0472 | 0.5906             | $1\frac{7}{32}$  | 0.4520 | $\frac{9}{64}$ | 1.313 | 0.039 | 0.039 | $\frac{7}{32}$ | 1/4-28 | 0.39           |
| 207       | $1\frac{1}{4}$  | MSL20◆●□△   | 2.8346 | 0.7480             | $1\frac{17}{32}$ | 0.5930 | $\frac{7}{32}$ | 1.847 | 0.039 | 0.039 | $\frac{1}{4}$  | 1/4-28 | 1.00           |
|           | $1\frac{3}{8}$  | MSL22◆●□△   |        |                    |                  |        |                |       |       |       |                |        |                |
|           | $1\frac{7}{16}$ | MSL23◆●□△   |        |                    |                  |        |                |       |       |       |                |        |                |

## Additional Notes

- Please call 1-866-REXNORD for availability
- Bearing bore tolerance, +.0005 in/-.0000 in (**+0.013 mm/-0.000 mm**)
- Bearing O.D. tolerance for size code 203 thru 204, +.0000 in/-.0005 in (**+0.000 mm/-0.013 mm**); for all other size codes, +.0000 in/-.0006 in (**+0.000 mm/-0.015 mm**)
- Lip seals standard
- ◆ Available with E1 viton seals
- Available with free running style seals, add suffix ● FF, □ HFF or △ MHFF
- For the Selection Guide, Load Ratings and Speed Limits, see the MB Ball Bearing Engineering section

Note: Dimensions subject to change. Certified dimensions of ordered material furnished on request.

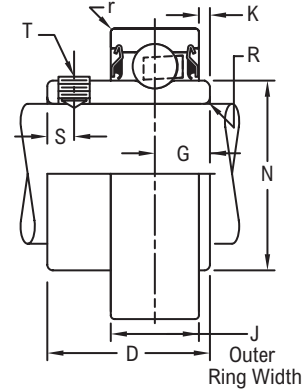
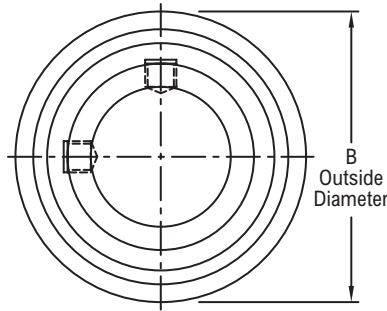
**MSLN**



Photo Shows an Unmounted Ball Bearing Unit with Cylindrical Outside Diameter

**Product Features**

- Broad range of sealing options
- Spring locking setscrew mount
- Sealed & non-relubricatable
- Cylindrical O.D.
- See Features & Benefits for additional info.



**Bearing Dimensions**

| Size Code | Shaft Diameter | Part Number | B O.D. | J Outer Ring Width | D     | G      | K | N     | R     | r     | S    | T      | Approx. Weight |
|-----------|----------------|-------------|--------|--------------------|-------|--------|---|-------|-------|-------|------|--------|----------------|
| 203       | 1/2            | MSLN8◆●□Δ   | 1.5748 | 0.5118             | 51/64 | 0.2770 | 0 | 0.941 | 0.024 | 0.024 | 3/16 | #10-32 | 0.22           |
|           | 5/8            | MSLN10◆●□Δ  |        |                    |       |        |   |       |       |       |      |        |                |
| 204       | 3/4            | MSLN12◆●□Δ  | 1.8504 | 0.5906             | 15/16 | 0.2940 | 0 | 1.121 | 0.039 | 0.039 | 3/16 | #10-32 | 0.32           |
| 205       | 1              | MSLN16◆●□Δ  | 2.0472 | 0.5906             | 15/16 | 0.3090 | 0 | 1.313 | 0.039 | 0.039 | 7/32 | 1/4-28 | 0.34           |

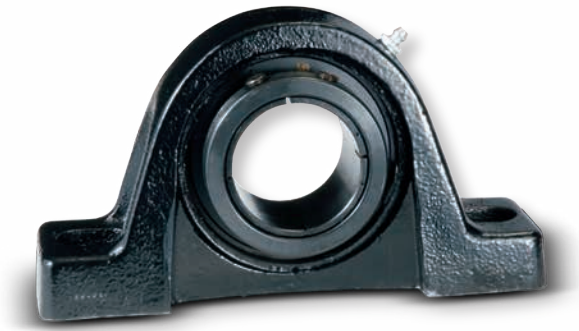
**Additional Notes**

- Please call 1-866-REXNORD for availability
- Bearing bore tolerance, +.0005 in/- .0000 in (**+0.013 mm/-0.000 mm**)
- Bearing O.D. tolerance for size code 203 thru 204, +.0000 in/- .0005 in (**+0.000 mm/-0.013 mm**); for all other size codes, +.0000 in/- .0006 in (**+0.000 mm/-0.015 mm**)
- Lip seals standard
- ◆ Available with E1 viton seals
- Available with free running style seals, add suffix ● FF, □ HFF or Δ MHFF
- For the Selection Guide, Load Ratings and Speed Limits, see the MB Ball Bearing Engineering section

Note: Dimensions subject to change. Certified dimensions of ordered material furnished on request.







Industries Served  
Aggregates  
Agriculture  
Air Handling  
Package Handling  
Construction  
Shipping

## MB Krown Regal 45 & 55 Series Centrik-Lok Ball Bearings

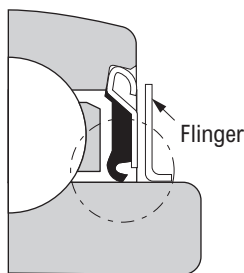
The Krown Regal series provides premium bearing features...superior sealing, housing strength, better shaft locking...at non-premium prices. These bearings are the result of a design and manufacturing program aimed at supplying maximum bearing value at competitive prices. Our exclusive patented seals and bearing-to-shaft locking devices multiply bearing life and reduce maintenance and replacement to a minimum.

Krown Regal bearings are available from stock in standard duty and medium duty pillow blocks and flange units as cataloged in the following pages. Other sizes and mountings are available on special order, as are specially engineered to the application bearings. Consult Rexnord Bearing Products for prompt review of your special needs.

The Krown Regal bearing design reduces the three most common causes of bearing failure – seal failure that permits entrance of contaminants or loss of lubricant; insufficient housing strength; and loosening of bearings on rotating shafts. Other features include large diameter balls for high load capacities, nylon retainers for quiet operations, conveniently located lube fittings and superior anti-rotation pin arrangement.

### Molded Lip Seal — Flinger System

The sealing system provides four-way sealing action to effectively keep dirt out and lubricant in. It is combined in Krown Regal bearings with steel flingers that throw excessive contaminants away from the bearings and protect the seals from damage by abrasives and impact. Together, the superior seals and added flingers add significantly to bearing life.



### Rugged One-piece Cast Iron Housings

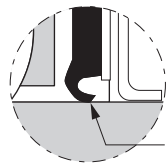
These bearings have heavier cast iron housing than previous designs. The Krown Regal foot-mounted pillow blocks and flange mounts are built to withstand heavy loading, shock and external vibration. Finishes are highly resistant to corrosion and abrasion.

### Centrik-Lok Shaft Locking Device

Bearing-to-shaft locking is accomplished with the patented Centrik-Lok shaft locking device. This method of locking provides excellent holding power versus competitive shaft locking devices. Its clamping action also centers the shaft in the bearing to avoid vibration and noise. It also eliminates shaft damage because set screws do not contact the shaft making bearing removal easier.

### Spherically-seated Bearing Insert with Anti-rotation Pin

The spherical fit between the outer race O.D. and I.D. of the block is precisely controlled for easy shaft alignment. An antirotation pin is permanently installed in the bearing insert O.D. It engages one of the housing insertion slots, preventing outer race creep and wear of housing. There is no danger of losing a separable pin during field replacement of bearings and no danger of preloading the bearing as is possible in other designs where a lube fitting is tightened against a locking pin.



Standard  
"N" Seal



Optional  
"E1" Seal

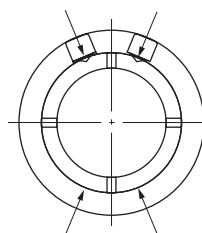
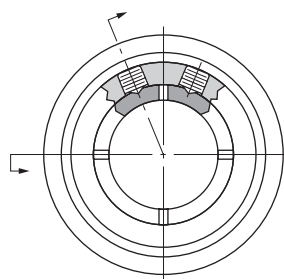
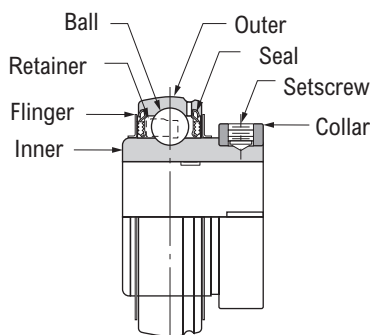
### Centrik-Lok Shaft Locking Device

The Centrik-Lok shaft locking device (Pat. No. 4,403,814) assures precise centering of MB Krown Regal ball bearing pillow blocks and flange mounted units on rotating shafts to avoid vibration and noise. What's more, the inherent holding power of this unique design can be far superior to other equivalent competitive bearings.

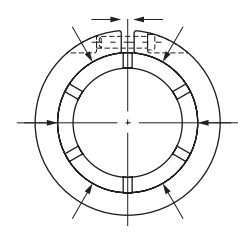
An important feature of the Centrik-Lok shaft locking device is that the locking collar is pre-assembled onto the bearing inner race, avoiding the problem of loose, lost or misplaced locking collars. Another feature is that the set screws do not come in contact with the shaft and therefore, do not mark the shaft or leave heavy burrs that make bearing removal difficult.

Most mounted bearing locking devices move the inner race eccentrically on the shaft during locking. This eccentric positioning of the inner race can cause vibration, loosening of locking devices and loss of bearing performance.

One of the drawbacks of current locking devices that do maintain concentricity has been their lack of shaft-holding power. The Centrik-Lok shaft locking device overcomes these shaft-holding limitations and still provides the advantages of true concentricity. The inner race is slotted in four places and a continuous cylindrical locking collar is applied over the inner race slots. Two set screws, located 45° apart, contact the inner race on each side of one of the slots. The two set screws exert force on two of the four inner race segments and the resulting reaction through the collar pulls the remaining two segments against the shaft concentrically.



MB CENTRIK-LOK  
Shaft Locking Device



"Hose Clamp" Type  
Locking Device

## Standard Krown Regal Optional Sealing Arrangements

Standard steel clad type N single lip seals have a useful temperature range of  $-40^{\circ}\text{F}$  to  $+225^{\circ}\text{F}$  and can withstand temperatures up to  $250^{\circ}\text{F}$  for intermittent service. The flinger adds protection against contamination, and can shield against radiant heat. Special sealing arrangements are available for higher temperatures and “free-running” or special contamination resistance.

### Special optional sealing arrangements

Suffix-MHFF indicates type H seals and flingers both sides. This provides a sealed, “free-running” bearing with heat shield protection. It is satisfactory for temperatures from  $-40^{\circ}\text{F}$  to  $+275^{\circ}\text{F}$ . Rexnord Bearing Products must be consulted regarding availability of any of these optional sealing configurations.

### Examples for ordering:

- Bearing Insert KMB451-716-MHFFPA
- Mounted Unit KC451-716-MHFF

### High temperature ball bearing inserts and housed units

Krown Regal mounted ball bearings and KMB45, KMB55 and ER series inserts are available for high temperature applications up to  $400^{\circ}\text{F}$ . The “E1” package provides the following features:

1. Extra Internal Diametral Clearance (DC) based on a  $200^{\circ}\text{F}$  temperature differential between inner and outer races, compensates for the inner race expanding at a faster rate than the outer race and will avoid preloading of the bearings.
2. Steel Retainer (Cage) – 2 piece riveted construction.
3. High Temperature Lubrication – prelubricated with a No. 2 consistency bentone-base grease with petroleum oil. When operated near upper limit, ( $400^{\circ}\text{F}$ ) daily relubrication is required.
4. Viton Seals withstand temperatures to  $400^{\circ}\text{F}$ .
5. Steel Flingers are mounted outboard of the Viton seals with an interface fit with the O.D. of the inner ring.

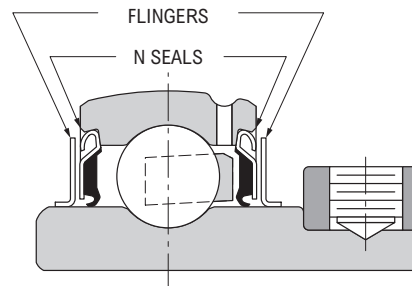
### Examples for ordering:

- Bearing Insert KMB451-716-E1PA
- Mounted Unit KC451-716-E1

Free running applications and applications above  $400^{\circ}\text{F}$  Sealing options such as -FF (flingers only) for “free running” applications and/or temperatures over  $400^{\circ}\text{F}$  where contamination is not severe. The flinger acts as a labyrinth seal. High temperature bearings require a greater amount of diametral clearance (DC) and a higher temperature lubricant. Consult Rexnord Bearing Products for recommendations.

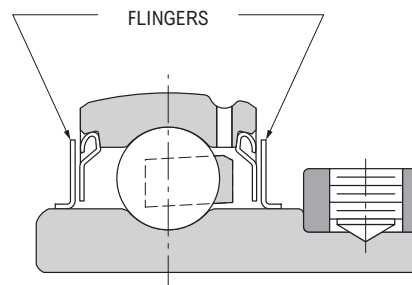
### Examples for ordering:

- Bearing Insert MB251-716-FFPA
- Mounted Unit C251-716-FF



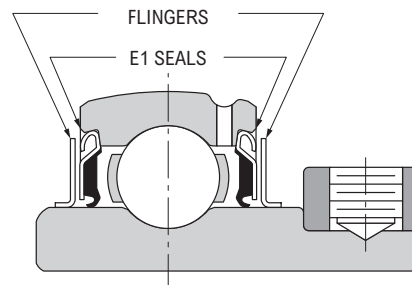
### BASIC KMB45/55 SEALS

214 thru 218 Basic Sizes have Nyla-K seals and Flingers



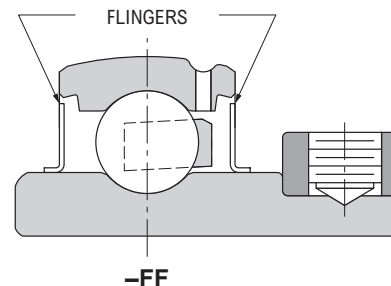
### -MHFF

214 thru 218 Basic Sizes have Modified Nyla-K seals and Flingers use suffix MKFF



### -E1

214 thru 218 Basic Sizes have Viton seals and Flingers use suffix TFF



### -FF

## Nomenclature - MB Krown Regal 45/55 Series Ball Bearings Mounted Units

| Symbol | Description   | KFC2 | 45 | 1 | - | 716 | - | FF | JF | PD |
|--------|---|------|----|---|---|-----|---|----|----|----|
| KC     | Pillow block, standard backing                                    |      |    |   |   |     |   |    |    |    |
| KCL    | Pillow block, low backing   |      |    |   |   |     |   |    |    |    |
| KFC2   | Flanged unit, 2-bolt  |      |    |   |   |     |   |    |    |    |
| KFC4   | Flanged unit, 4-bolt  |      |    |   |   |     |   |    |    |    |
| PFC4   | Flanged cartridge unit, 4-bolt round                              |      |    |   |   |     |   |    |    |    |
| 45     | Wide inner ring, standard duty, Centrik-Lok collar                |      |    |   |   |     |   |    |    |    |
| 55     | Wide inner ring, medium duty, Centrik-Lok collar                  |      |    |   |   |     |   |    |    |    |
| None   | Shaft diameter less than 1 inch or a metric bore                  |      |    |   |   |     |   |    |    |    |
| 1      | Shaft diameter equal to or greater than 1 inch                    |      |    |   |   |     |   |    |    |    |
| -      | Dash used as separator  |      |    |   |   |     |   |    |    |    |
| 716    | Inch shaft fraction without the slash                             |      |    |   |   |     |   |    |    |    |
| 35     | Metric shaft diameter in millimeters                              |      |    |   |   |     |   |    |    |    |
| -      | Dash used to separate suffix from bore designation                |      |    |   |   |     |   |    |    |    |
| EDC    | Bearing with steel retainer and increased clearance               |      |    |   |   |     |   |    |    |    |
| STL    | Bearing with steel retainer and standard clearance                |      |    |   |   |     |   |    |    |    |
| None   | Standard single lip seal  |      |    |   |   |     |   |    |    |    |
| E1     | Viton seals, increased clearance, steel retainer, high temp. lube |      |    |   |   |     |   |    |    |    |
| FF     | Fingers only, 50% grease fill                                     |      |    |   |   |     |   |    |    |    |
| HFF    | Fingers only, 10% oil fill  |      |    |   |   |     |   |    |    |    |
| MHFF   | Fingers only, 10% grease fill                                     |      |    |   |   |     |   |    |    |    |
| XX     | Non-standard grease designation                                   |      |    |   |   |     |   |    |    |    |
| PB     | Bearing with 100% grease fill                                     |      |    |   |   |     |   |    |    |    |
| PD     | Bearing with preservative only                                    |      |    |   |   |     |   |    |    |    |

## Nomenclature - MB Krown Regal 45/55 Series Unmounted Units

| Symbol | Description   | KMB | 45 | 1 | - | 716 | - | FF | JF | PA |
|--------|---|-----|----|---|---|-----|---|----|----|----|
| KMB    | Ball bearing, spherical O.D. with lube groove and anti rotation pin |     |    |   |   |     |   |    |    |    |
| 45     | Wide inner ring, standard duty, Centrik-Lok collar                  |     |    |   |   |     |   |    |    |    |
| 55     | Wide inner ring, medium duty, Centrik-Lok collar                    |     |    |   |   |     |   |    |    |    |
| None   | Shaft diameter less than 1 inch or a metric bore                    |     |    |   |   |     |   |    |    |    |
| 1      | Shaft diameter equal to or greater than 1 inch                      |     |    |   |   |     |   |    |    |    |
| -      | Dash used as separator  |     |    |   |   |     |   |    |    |    |
| 716    | Inch shaft fraction without the slash                               |     |    |   |   |     |   |    |    |    |
| 35     | Metric shaft diameter in millimeters                                |     |    |   |   |     |   |    |    |    |
| -      | Dash used to separate suffix from bore designation                  |     |    |   |   |     |   |    |    |    |
| EDC    | Bearing with steel retainer and increased clearance                 |     |    |   |   |     |   |    |    |    |
| STL    | Bearing with steel retainer and standard clearance                  |     |    |   |   |     |   |    |    |    |
| None   | Standard single lip seal  |     |    |   |   |     |   |    |    |    |
| E1     | Viton seals, increased clearance, steel retainer, high temp. lube   |     |    |   |   |     |   |    |    |    |
| FF     | Fingers only, 50% grease fill                                       |     |    |   |   |     |   |    |    |    |
| HFF    | Fingers only, 10% oil fill  |     |    |   |   |     |   |    |    |    |
| MHFF   | Fingers only, 10% grease fill                                       |     |    |   |   |     |   |    |    |    |
| XX     | Non-standard grease designation                                     |     |    |   |   |     |   |    |    |    |
| PA     | Suffix designation for unmounted replacement bearing insert         |     |    |   |   |     |   |    |    |    |

## Series 45 & 55 Krown Regal Selection Guide

To select a bearing, determine the applied radial load, the applied thrust load, the desired Rating Life, and applicable operating conditions. The procedure shown here will aid in selecting a bearing to meet an L<sub>10</sub> design life. The formulas for calculating life expectancy should be used to determine the Rating Life L<sub>10</sub> for the bearing selected.

The selection procedures and rating formulas shown here are in agreement with The American Bearing Manufacturers Association Standards and ANSI/ABMA Standards STD 9-1990. Ratings are based on fatigue life. The Rating Life or fatigue life at 90% reliability is the usual basis for bearing selection.

### Steps for Selection

#### Step 1

Determine an appropriate L<sub>10</sub> design life.

| Type of service         | Operating time, hours per year | Design life, years | L <sub>10</sub> design life, hours |
|-------------------------|--------------------------------|--------------------|------------------------------------|
| Light seasonal usage    | 500 to 750                     | 3-5                | 3,000                              |
| Heavy seasonal usage    | 1,400 to 1,600                 | 4-6                | 8,000                              |
| Industrial—8 hour shift | 2,000                          | 10                 | 20,000                             |

#### Step 2

Determine a required  $\left(\frac{C}{P}\right)$  from Table 1.

#### Step 3

Calculate the required C and select a ball bearing.

a For radial load only:

$$P = F_r$$

$$\text{required } C = \left(\frac{C}{P}\right) P \text{ using } \left(\frac{C}{P}\right) \text{ from Step 2}$$

Select a ball bearing from Table 3 with a basic load rating C equal to or greater than the required C.

b For combined radial and thrust loads when  $\frac{F_a}{F_r}$  is 0.19 or less:

$$P = F_r$$

$$\text{required } C = \left(\frac{C}{P}\right) P \text{ using } \left(\frac{C}{P}\right) \text{ from Step 2}$$

Select a ball bearing from Table 3 with a basic load rating C equal to or greater than the required C.

Series 45 and 55 bearings have wide inner rings for load support where non-relubricatable bearings are used, bearing life is often limited by grease life, which is in turn affected by operating conditions. Also, economically designed housings must be applied within proportionate load limits. To assure a satisfactory bearing application, fitting practice, mounting, lubrication, sealing, static rating, housing strength, operating conditions and maintenance must be considered.

#### Step 3 (continued)

c For combined radial and thrust loads when  $\frac{F_a}{F_r}$  is greater than 0.19, use the following trial method:

$$\text{Maximum } P = .56F_r + 2.30F_a$$

$$\text{Maximum required } C = \left(\frac{C}{P}\right) P \text{ using } \quad \text{from Step 2}$$

Select a trial ball bearing with a basic load rating C from Table 3 approximately equal to the maximum required C.

$$\text{With this trial bearing calculate: } \frac{F_a}{Nd^2}$$

Determine X and Y from Table 2.

Calculate P for the trial bearing.

$$P = XF_r + YF_a$$

$$\text{required } C = \left(\frac{C}{P}\right) P \text{ for the trial bearing using } \left(\frac{C}{P}\right) \text{ from Step 2}$$

Consult Table 3, basic load rating. If a smaller bearing meets or nearly meets the required C, its life expectancy can be calculated.

Note: If the load P is greater than .25C for series 45 and 55 consult Rexnord Bearing Products.

## Selection

### Symbols for formulas:

C = basic load rating, pounds (or newtons)  
 Co = static load rating, pounds (or newtons)  
 e = a reference value  
 Fa = thrust load, pounds (or newtons)  
 Fr = radial load, pounds (or newtons)  
 L10 = rating life, hours

n = speed, revolutions per minute  
 P = equivalent radial load, pounds (or newtons)  
 X = radial factor  
 Y = thrust factor

**Table 1 • Relation of L10 life and speed to  $\left(\frac{C}{P}\right)$**

| Bearing life, hours L <sub>10</sub> | $\left(\frac{C}{P}\right)$ ratio |      |      |      |      |      |      |      |       |  |
|-------------------------------------|----------------------------------|------|------|------|------|------|------|------|-------|--|
|                                     | Speed, n                         |      |      |      |      |      |      |      |       |  |
|                                     | 50                               | 100  | 200  | 300  | 400  | 500  | 600  | 700  | 800   |  |
| 3000                                | 2.08                             | 2.62 | 3.30 | 3.77 | 4.15 | 4.47 | 4.75 | 5.01 | 5.23  |  |
| 4000                                | 2.29                             | 2.88 | 3.63 | 4.15 | 4.57 | 4.92 | 5.23 | 5.51 | 5.76  |  |
| 5000                                | 2.46                             | 3.10 | 3.91 | 4.47 | 4.92 | 5.30 | 5.64 | 5.93 | 6.20  |  |
| 6000                                | 2.62                             | 3.30 | 4.15 | 4.75 | 5.23 | 5.64 | 5.99 | 6.30 | 6.59  |  |
| 8000                                | 2.88                             | 3.63 | 4.57 | 5.23 | 5.76 | 6.20 | 6.59 | 6.94 | 7.25  |  |
| 10000                               | 3.10                             | 3.91 | 4.92 | 5.64 | 6.20 | 6.68 | 7.10 | 7.47 | 7.81  |  |
| 12000                               | 3.30                             | 4.15 | 5.23 | 5.99 | 6.59 | 7.10 | 7.54 | 7.94 | 8.30  |  |
| 14000                               | 3.47                             | 4.37 | 5.51 | 6.30 | 6.94 | 7.47 | 7.94 | 8.36 | 8.74  |  |
| 16000                               | 3.63                             | 4.57 | 5.76 | 6.59 | 7.25 | 7.81 | 8.30 | 8.74 | 9.14  |  |
| 18000                               | 3.77                             | 4.75 | 5.99 | 6.86 | 7.54 | 8.13 | 8.63 | 9.09 | 9.50  |  |
| 20000                               | 3.91                             | 4.92 | 6.20 | 7.10 | 7.81 | 8.42 | 8.94 | 9.41 | 9.84  |  |
| 25000                               | 4.21                             | 5.30 | 6.68 | 7.65 | 8.42 | 9.07 | 9.63 | 10.1 | 10.6  |  |
| 30000                               | 4.47                             | 5.64 | 7.10 | 8.13 | 8.94 | 9.63 | 10.2 | 10.8 | 11.3  |  |
| 35000                               | 4.71                             | 5.93 | 7.47 | 8.55 | 9.41 | 10.1 | 10.8 | 11.3 | 11.9  |  |
| 40000                               | 4.92                             | 6.20 | 7.81 | 8.94 | 9.84 | 10.6 | 11.3 | 11.9 | 12.4  |  |
| 45000                               | 5.12                             | 6.45 | 8.13 | 9.30 | 10.2 | 11.0 | 11.7 | 12.3 | 12.9  |  |
| 50000                               | 5.30                             | 6.68 | 8.42 | 9.63 | 10.6 | 11.4 | 12.1 | 12.8 | 13.4  |  |
| 60000                               | 5.64                             | 7.10 | 8.94 | 10.2 | 11.3 | 12.1 | 12.9 | 13.6 | 14.2  |  |
| 70000                               | 5.93                             | 7.47 | 9.41 | 10.8 | 11.9 | 12.8 | 13.6 | 14.3 | 14.9  |  |
| 80000                               | 6.20                             | 7.81 | 9.84 | 11.3 | 12.4 | 13.4 | 14.2 | 14.9 | 15.6  |  |
| 90000                               | 6.45                             | 8.13 | 10.2 | 11.7 | 12.9 | 13.9 | 14.8 | 15.5 | 16.2  |  |
| 100000                              | 6.68                             | 8.42 | 10.6 | 12.1 | 13.4 | 14.4 | 15.3 | 16.1 | 16.8  |  |
| 150000                              | 7.65                             | 9.63 | 12.1 | 13.9 | 15.3 | 16.5 | 17.5 | 18.4 | 19.3  |  |
| 200000                              | 8.42                             | 10.6 | 13.4 | 15.3 | 16.8 | 18.1 | 19.3 | 20.3 | 21.2  |  |
|                                     | Speed, n                         |      |      |      |      |      |      |      |       |  |
|                                     | 900                              | 1000 | 1200 | 1500 | 1800 | 2400 | 3600 | 6000 | 10000 |  |
| 3000                                | 5.44                             | 5.64 | 5.99 | 6.45 | 6.86 | 7.54 | 8.63 | 10.2 | 12.1  |  |
| 4000                                | 5.99                             | 6.20 | 6.59 | 7.10 | 7.54 | 8.30 | 9.50 | 11.3 | 13.4  |  |
| 5000                                | 6.45                             | 6.68 | 7.10 | 7.65 | 8.13 | 8.94 | 10.2 | 12.1 | 14.4  |  |
| 6000                                | 6.86                             | 7.10 | 7.54 | 8.13 | 8.63 | 9.50 | 10.9 | 12.9 | 15.3  |  |
| 8000                                | 7.54                             | 7.81 | 8.30 | 8.94 | 9.50 | 10.5 | 12.0 | 14.2 | 16.8  |  |
| 10000                               | 8.13                             | 8.42 | 8.94 | 9.63 | 10.2 | 11.3 | 12.9 | 15.3 | 18.1  |  |
| 12000                               | 8.63                             | 8.94 | 9.50 | 10.2 | 10.9 | 12.0 | 13.7 | 16.2 | 19.3  |  |
| 14000                               | 9.09                             | 9.41 | 10.0 | 10.8 | 11.4 | 12.6 | 14.4 | 17.1 | 20.3  |  |
| 16000                               | 9.50                             | 9.84 | 10.5 | 11.3 | 12.0 | 13.2 | 15.1 | 17.9 | 21.2  |  |
| 18000                               | 9.88                             | 10.2 | 10.9 | 11.7 | 12.4 | 13.7 | 15.7 | 18.6 | 22.0  |  |
| 20000                               | 10.2                             | 10.6 | 11.3 | 12.1 | 12.9 | 14.2 | 16.2 | 19.3 | 22.8  |  |
| 25000                               | 11.0                             | 11.4 | 12.1 | 13.1 | 13.9 | 15.3 | 17.5 | 20.7 | 24.6  |  |
| 30000                               | 11.7                             | 12.1 | 12.9 | 13.9 | 14.8 | 16.2 | 18.6 | 22.0 | 26.1  |  |
| 35000                               | 12.3                             | 12.8 | 13.6 | 14.6 | 15.5 | 17.1 | 19.6 | 23.2 | 27.5  |  |
| 40000                               | 12.9                             | 13.4 | 14.2 | 15.3 | 16.2 | 17.9 | 20.5 | 24.3 | 28.7  |  |
| 45000                               | 13.4                             | 13.9 | 14.8 | 15.9 | 16.9 | 18.6 | 21.3 | 25.2 | 29.9  |  |
| 50000                               | 13.9                             | 14.4 | 15.3 | 16.5 | 17.5 | 19.3 | 22.0 | 26.1 | 31.0  |  |
| 60000                               | 14.8                             | 15.3 | 16.2 | 17.5 | 18.6 | 20.5 | 23.4 | 27.8 | 32.9  |  |
| 70000                               | 15.5                             | 16.1 | 17.1 | 18.4 | 19.6 | 21.5 | 24.6 | 29.2 | 34.6  |  |
| 80000                               | 16.2                             | 16.8 | 17.9 | 19.3 | 20.5 | 22.5 | 25.8 | 30.5 | 36.2  |  |
| 90000                               | 16.9                             | 17.5 | 18.6 | 20.0 | 21.3 | 23.4 | 26.8 | 31.8 | 37.7  |  |
| 100000                              | 17.5                             | 18.1 | 19.3 | 20.7 | 22.0 | 24.3 | 27.8 | 32.9 | 39.0  |  |
| 150000                              | 20.0                             | 20.7 | 22.0 | 23.7 | 25.2 | 27.8 | 31.8 | 37.7 | 44.6  |  |
| 200000                              | 22.0                             | 22.8 | 24.3 | 26.1 | 27.8 | 30.5 | 35.0 | 41.4 | 49.1  |  |

## Basic formula

$$\left(\frac{C}{P}\right) = \left(\frac{L_{10} \times n \times 60}{1,000,000}\right)^{1/3}$$

$$L_{10} = \frac{\left(\frac{C}{P}\right)^3 \times 1,000,000}{n \times 60}$$

## Life Expectancy

To calculate the Rating Life L<sub>10</sub> of any selected or trial bearing:

### Step 1

Determine the equivalent radial load P.

**a** For radial load only:  
 $P = F_r$

**b** For combined radial and thrust load:  
 $P = X F_r + Y F_a$  using X and Y from Table 2 below.

### Step 2

Calculate the ratio of basic load rating C to the equivalent radial load.

$$\left(\frac{C}{P}\right)$$

**Step 3** Approximate the bearing life from Table 1.

**Table 2 • X and Y factors for ball bearings**

| $\frac{F_a}{N d^2}$ | e   | $\frac{F_a}{F_r} \leq e$ |   | $\frac{F_a}{F_r} > e$ |      |
|---------------------|-----|--------------------------|---|-----------------------|------|
|                     |     | X                        | Y | X                     | Y    |
| 25                  | .19 | 1.0                      | 0 | .56                   | 2.30 |
| 37.5                | .21 | 1.0                      | 0 | .56                   | 2.15 |
| 50                  | .22 | 1.0                      | 0 | .56                   | 1.99 |
| 75                  | .24 | 1.0                      | 0 | .56                   | 1.85 |
| 100                 | .26 | 1.0                      | 0 | .56                   | 1.71 |
| 125                 | .27 | 1.0                      | 0 | .56                   | 1.63 |
| 150                 | .28 | 1.0                      | 0 | .56                   | 1.56 |
| 200                 | .30 | 1.0                      | 0 | .56                   | 1.45 |
| 300                 | .34 | 1.0                      | 0 | .56                   | 1.31 |
| 500                 | .38 | 1.0                      | 0 | .56                   | 1.15 |
| 750                 | .42 | 1.0                      | 0 | .56                   | 1.04 |
| 1000                | .44 | 1.0                      | 0 | .56                   | 1.00 |

For values between those in the table linear interpolation can be used.

### Life Adjustment

The Rating Life, L<sub>10</sub>, may be modified for some applications in accordance with the formula

$$L'_n = a_1 a_2 a_3 L_{10}$$

where L'<sub>n</sub> = Adjusted life for (100-n) % reliability,

a<sub>1</sub> = Life adjustment factor for reliability

a<sub>2</sub> = Life adjustment factor for material and processing

a<sub>3</sub> = Life adjustment factor for operating conditions.

For most normal applications, all factors will be taken as 1, and the Rating Life used as the selection basis or life estimate. In addition, as long as standard catalog bearings are used, a<sub>2</sub> will be normally set equal to one. The factor a<sub>3</sub> covers such things as lubrication, misalignment, and temperature. Some conditions that could yield a<sub>3</sub> significantly different than unity include speeds less than 20000 DN or greater than 200000 DN, temperatures below -40°F (-40°C) or above 275°F (135°C). For other possible conditions, as well as additional information on life adjustment factors, consult Rexnord Bearing Products.

**Table 3 - Load Ratings**

| Basic size | Co Static Load Rating |        | C Basic Load Rating |        | Approximate Speed Limit RPM* |            |               | d Ball Diameter | N Number of Balls | Nd <sup>2</sup> |
|------------|-----------------------|--------|---------------------|--------|------------------------------|------------|---------------|-----------------|-------------------|-----------------|
|            | newtons               | pounds | newtons             | pounds | N seals                      | E,E1 seals | Flingers only | inches          |                   |                 |
| 203        | 4940                  | 1110   | 8100                | 1820   | 14000                        | 9000       | 15800         | 19/64           | 7                 | 0.617           |
| 204        | 6590                  | 1480   | 9830                | 2210   | 10000                        | 7500       | 13400         | 5/16            | 8                 | 0.781           |
| 205        | 7830                  | 1760   | 10810               | 2430   | 9600                         | 6800       | 11400         | 5/16            | 9                 | 0.879           |
| 206        | 11300                 | 2530   | 15030               | 3380   | 8000                         | 5600       | 9800          | 3/8             | 9                 | 1.27            |
| 207        | 15300                 | 3440   | 19880               | 4470   | 6850                         | 4800       | 8400          | 7/16            | 9                 | 1.72            |
| 208        | 19900                 | 4460   | 25100               | 5640   | 6000                         | 4500       | 7500          | 1/2             | 9                 | 2.25            |
| 209        | 20400                 | 4590   | 25220               | 5670   | 5330                         | 4000       | 6800          | 1/2             | 9                 | 2.25            |
| 210        | 23200                 | 5220   | 27090               | 6090   | 4800                         | 3600       | 6400          | 1/2             | 10                | 2.50            |
| 211        | 29200                 | 6570   | 33540               | 7540   | 4360                         | 3200       | 5800          | 9/16            | 10                | 3.16            |
| 212        | 36000                 | 8080   | 40520               | 9110   | 4000                         | 3000       | 5300          | 5/8             | 10                | 3.91            |
|            |                       |        |                     |        | K seals                      | TFF seals  | Flingers only |                 |                   |                 |
| 214        | 38300                 | 8620   | 48000               | 10800  | 3050                         | 2850       | 4600          | 11/16           | 10                | 4.73            |
| 215        | 37600                 | 8460   | 47600               | 10700  | 2900                         | 2700       | 4400          | 11/16           | 10                | 4.73            |
| 216        | 50700                 | 11400  | 59600               | 13400  | 2700                         | 2550       | 4050          | 3/4             | 11                | 6.19            |
| 218        | 64000                 | 14400  | 73800               | 16600  | 2400                         | 2250       | 3600          | 7/8             | 10                | 7.66            |

If the load is greater than .25C consult Rexnord Bearing Products.

\* Approximate speed limits are based on grease lubrication and moderate load.

**Table 4 - Load Ratings**

| Basic Bearing Size | L <sub>10</sub> Minimum Life, Hours | Radial Load Ratings in Pounds at Various Revolutions Per Minute |      |      |      |      |      |      |      |      |      |      |      |      |      |      |      |      |      |      |      |      |
|--------------------|-------------------------------------|---|------|------|------|------|------|------|------|------|------|------|------|------|------|------|------|------|------|------|------|------|
|                    |                                     | 50  | 100  | 200  | 300  | 400  | 500  | 600  | 700  | 800  | 900  | 1000 | 1200 | 1500 | 1600 | 1800 | 2000 | 2500 | 3000 | 3500 | 4000 | 5000 |
| 203                | 8000                                | -   | -    | 398  | 347  | 315  | 293  | 276  | 262  | 251  | 241  | 233  | 219  | 203  | 198  | 191  | 184  | 171  | 161  | 152  | 146  | 135  |
|                    | 20000                               | -   | 369  | 293  | 256  | 233  | 216  | 203  | 193  | 184  | 178  | 171  | 161  | 150  | 146  | 141  | 135  | 126  | 118  | 113  | 107  | 100  |
|                    | 40000                               | 369   | 293  | 233  | 203  | 184  | 171  | 161  | 152  | 146  | 141  | 135  | 128  | 118  | 115  | 112  | 107  | 100  | 94   | 89   | 85   | 79   |
|                    | 100000                              | 272   | 216  | 171  | 150  | 135  | 126  | 118  | 113  | 108  | 104  | 100  | 94   | 87   | 85   | 82   | 79   | 73   | 69   | 65   | 63   | 58   |
| 204                | 8000                                | -   | -    | 483  | 422  | 383  | 356  | 335  | 318  | 304  | 293  | 282  | 266  | 247  | 241  | 232  | 224  | 208  | 195  | 185  | 178  | 164  |
|                    | 20000                               | -   | 449  | 356  | 311  | 282  | 262  | 247  | 234  | 224  | 216  | 208  | 195  | 182  | 178  | 171  | 164  | 153  | 144  | 137  | 130  | 121  |
|                    | 40000                               | 449   | 356  | 282  | 247  | 224  | 208  | 195  | 185  | 178  | 171  | 164  | 155  | 144  | 140  | 136  | 130  | 121  | 114  | 108  | 104  | 96   |
|                    | 100000                              | 330   | 262  | 208  | 182  | 164  | 153  | 144  | 137  | 131  | 126  | 122  | 114  | 106  | 104  | 100  | 96   | 89   | 84   | 80   | 76   | 71   |
| 205                | 8000                                | -   | -    | 531  | 464  | 421  | 391  | 368  | 350  | 335  | 322  | 311  | 292  | 271  | 265  | 255  | 246  | 229  | 215  | 204  | 195  | 181  |
|                    | 20000                               | -   | 493  | 391  | 342  | 311  | 288  | 271  | 258  | 246  | 238  | 229  | 215  | 200  | 195  | 188  | 181  | 168  | 158  | 150  | 143  | 133  |
|                    | 40000                               | 493   | 391  | 311  | 271  | 246  | 229  | 215  | 204  | 195  | 188  | 181  | 171  | 158  | 154  | 150  | 143  | 133  | 125  | 119  | 114  | 106  |
|                    | 100000                              | 363   | 288  | 229  | 200  | 181  | 168  | 158  | 150  | 144  | 138  | 134  | 125  | 117  | 114  | 110  | 106  | 98   | 92   | 88   | 84   | 78   |
| 206                | 8000                                | -   | -    | 739  | 646  | 586  | 545  | 512  | 487  | 466  | 448  | 432  | 407  | 378  | 368  | 355  | 342  | 318  | 299  | 284  | 272  | 252  |
|                    | 20000                               | -   | 686  | 545  | 476  | 432  | 401  | 378  | 359  | 343  | 331  | 318  | 299  | 279  | 272  | 262  | 252  | 234  | 220  | 209  | 200  | 185  |
|                    | 40000                               | 686   | 545  | 432  | 378  | 343  | 318  | 299  | 284  | 272  | 262  | 252  | 238  | 229  | 215  | 208  | 200  | 185  | 175  | 166  | 159  | 147  |
|                    | 100000                              | 505   | 401  | 318  | 279  | 252  | 234  | 220  | 209  | 201  | 193  | 186  | 175  | 163  | 159  | 153  | 147  | 136  | 129  | 122  | 117  | 108  |
| 207                | 8000                                | -   | -    | 978  | 854  | 776  | 720  | 678  | 644  | 616  | 592  | 572  | 538  | 500  | 487  | 470  | 453  | 421  | 395  | 375  | 360  | 333  |
|                    | 20000                               | -   | 908  | 720  | 629  | 572  | 530  | 500  | 475  | 454  | 438  | 421  | 395  | 369  | 360  | 346  | 333  | 310  | 292  | 277  | 264  | 245  |
|                    | 40000                               | 908   | 720  | 572  | 500  | 454  | 421  | 395  | 375  | 360  | 346  | 333  | 314  | 292  | 284  | 275  | 264  | 245  | 231  | 220  | 210  | 195  |
|                    | 100000                              | 669   | 530  | 421  | 369  | 333  | 310  | 292  | 277  | 266  | 255  | 246  | 231  | 215  | 210  | 203  | 195  | 180  | 170  | 161  | 155  | 143  |
| 208                | 8000                                | -   | -    | 1230 | 1070 | 979  | 909  | 855  | 812  | 777  | 748  | 722  | 679  | 630  | 615  | 593  | 572  | 532  | 499  | 473  | 454  | 420  |
|                    | 20000                               | -   | 1140 | 909  | 794  | 722  | 669  | 630  | 599  | 573  | 552  | 532  | 499  | 466  | 454  | 437  | 420  | 391  | 368  | 350  | 333  | 309  |
|                    | 40000                               | 1140  | 909  | 722  | 630  | 573  | 532  | 499  | 473  | 454  | 437  | 420  | 397  | 368  | 359  | 348  | 333  | 309  | 292  | 277  | 266  | 246  |
|                    | 100000                              | 844   | 669  | 532  | 466  | 420  | 391  | 368  | 350  | 335  | 322  | 311  | 292  | 272  | 266  | 256  | 246  | 228  | 215  | 204  | 195  | 181  |
| 209                | 8000                                | -   | -    | 1240 | 1080 | 984  | 914  | 860  | 817  | 782  | 751  | 725  | 683  | 634  | 618  | 596  | 575  | 534  | 501  | 476  | 457  | 423  |
|                    | 20000                               | -   | 1150 | 914  | 798  | 725  | 673  | 634  | 602  | 576  | 555  | 534  | 501  | 468  | 457  | 439  | 423  | 393  | 370  | 352  | 335  | 311  |
|                    | 40000                               | 1150  | 914  | 725  | 634  | 576  | 534  | 501  | 476  | 457  | 439  | 423  | 399  | 370  | 361  | 350  | 335  | 311  | 293  | 279  | 267  | 247  |
|                    | 100000                              | 848   | 673  | 534  | 468  | 423  | 393  | 370  | 352  | 337  | 324  | 313  | 293  | 273  | 267  | 257  | 247  | 229  | 216  | 205  | 196  | 182  |
| 210                | 8000                                | -   | -    | 1330 | 1160 | 1050 | 982  | 924  | 877  | 840  | 807  | 779  | 733  | 681  | 664  | 641  | 617  | 574  | 538  | 511  | 491  | 459  |
|                    | 20000                               | -   | 1230 | 982  | 857  | 779  | 723  | 681  | 647  | 618  | 597  | 574  | 538  | 503  | 491  | 472  | 454  | 422  | 398  | 378  | 360  | 327  |
|                    | 40000                               | 1230  | 982  | 779  | 681  | 618  | 574  | 538  | 511  | 491  | 472  | 454  | 428  | 398  | 387  | 375  | 360  | 334  | 315  | 300  | 287  | 257  |
|                    | 100000                              | 911   | 723  | 574  | 503  | 454  | 422  | 398  | 378  | 362  | 348  | 336  | 315  | 294  | 287  | 276  | 265  | 246  | 232  | 220  | 211  | 187  |
| 211                | 8000                                | -   | -    | 1640 | 1440 | 1300 | 1210 | 1140 | 1080 | 1040 | 1000 | 965  | 908  | 843  | 823  | 793  | 764  | 711  | 667  | 633  | 608  | 574  |
|                    | 20000                               | -   | 1530 | 1210 | 1060 | 965  | 895  | 843  | 801  | 766  | 739  | 711  | 667  | 623  | 608  | 584  | 562  | 523  | 492  | 468  | 446  | 412  |
|                    | 40000                               | 1530  | 1210 | 965  | 843  | 766  | 711  | 667  | 633  | 608  | 584  | 562  | 530  | 492  | 480  | 465  | 446  | 414  | 390  | 371  | 355  | 321  |
|                    | 100000                              | 1120  | 895  | 711  | 623  | 562  | 523  | 492  | 468  | 448  | 430  | 416  | 390  | 364  | 355  | 342  | 329  | 305  | 287  | 273  | 261  | 227  |
| 212                | 8000                                | -   | -    | 1990 | 1740 | 1580 | 1460 | 1380 | 1310 | 1250 | 1200 | 1160 | 1090 | 1010 | 994  | 958  | 923  | 859  | 806  | 765  | 734  | 699  |
|                    | 20000                               | -   | 1850 | 1460 | 1280 | 1160 | 1080 | 1010 | 968  | 925  | 893  | 859  | 806  | 752  | 734  | 706  | 679  | 632  | 595  | 565  | 539  | 503  |
|                    | 40000                               | 1850  | 1460 | 1160 | 1010 | 925  | 859  | 806  | 765  | 734  | 706  | 679  | 641  | 595  | 580  | 562  | 539  | 500  | 472  | 448  | 429  | 393  |
|                    | 100000                              | 1360  | 1080 | 859  | 752  | 679  | 632  | 595  | 565  | 542  | 520  | 503  | 472  | 440  | 429  | 414  | 397  | 368  | 347  | 330  | 316  | 282  |
| 214                | 8000                                | -   | -    | 2360 | 2060 | 1870 | 1740 | 1630 | 1550 | 1480 | 1430 | 1380 | 1300 | 1200 | 1170 | 1130 | 1090 | 1010 | 955  | 905  | 875  | 841  |
|                    | 20000                               | -   | 2190 | 1740 | 1520 | 1380 | 1280 | 1200 | 1140 | 1090 | 1050 | 1010 | 955  | 892  | 870  | 837  | 805  | 750  | 705  | 675  | 645  | 611  |
|                    | 40000                               | 2190  | 1740 | 1380 | 1200 | 1090 | 1010 | 955  | 907  | 870  | 837  | 805  | 760  | 705  | 687  | 666  | 639  | 593  | 559  | 529  | 503  | 477  |
|                    | 100000                              | 1610  | 1280 | 1010 | 892  | 805  | 750  | 705  | 670  | 642  | 617  | 596  | 559  | 521  | 509  | 490  | 471  | 437  | 412  | 387  | 362  | 337  |
| 215                | 8000                                | -   | -    | 2340 | 2040 | 1850 | 1720 | 1620 | 1540 | 1470 | 1410 | 1370 | 1280 | 1190 | 1160 | 1120 | 1080 | 1000 | 945  | 895  | 865  | 831  |
|                    | 20000                               | -   | 2170 | 1720 | 1500 | 1370 | 1270 | 1190 | 1130 | 1080 | 1040 | 1000 | 946  | 884  | 862  | 829  | 798  | 743  | 703  | 673  | 643  | 609  |
|                    | 40000                               | 2170  | 1720 | 1370 | 1190 | 1080 | 1000 | 946  | 899  | 862  | 829  | 798  | 753  | 699  | 681  | 660  | 633  | 587  | 557  | 527  | 501  | 467  |
|                    | 100000                              | 1600  | 1270 | 1000 | 884  | 798  | 743  | 699  | 664  | 636  | 611  | 591  | 554  | 516  | 504  | 486  | 467  | 433  | 408  | 383  | 358  | 324  |
| 216                | 8000                                | -   | -    | 2930 | 2560 | 2320 | 2160 | 2030 | 1930 | 1840 | 1770 | 1710 | 1610 | 1490 | 1460 | 1410 | 1350 | 1260 | 1205 | 1155 | 1105 | 1055 |
|                    | 20000                               | -   | 2720 | 2160 | 1880 | 1710 | 1590 | 1490 | 1420 | 1360 | 1310 | 1260 | 1180 | 1100 | 1080 | 1030 | 1000 | 930  | 875  | 825  | 795  | 761  |
|                    | 40000                               | 2720  | 2160 | 1710 | 1490 | 1360 | 1260 | 1180 | 1120 | 1080 | 1030 | 1000 | 943  | 875  | 853  | 827  | 792  | 736  | 681  | 631  | 601  | 567  |
|                    | 100000                              | 2000  | 1590 | 1260 | 1100 | 1000 | 930  | 875  | 832  | 797  | 765  | 740  | 694  | 647  | 632  | 609  | 585  | 542  | 517  | 492  | 467  | 433  |
| 218                | 8000                                | -   | -    | 3630 | 3170 | 2880 | 2670 | 2510 | 2390 | 2280 | 2200 | 2120 | 2000 | 1850 | 1810 | 1740 | 1680 | 1585 | 1535 | 1485 | 1435 | 1385 |
|                    | 20000                               | -   | 3370 | 2670 | 2330 | 2120 | 1970 | 1850 | 1760 | 1680 | 1620 | 1560 | 1460 | 1370 | 1330 | 1280 | 1230 | 1160 | 1110 | 1060 | 1010 | 960  |
|                    | 40000                               | 3370  | 2670 | 2120 | 1850 | 1680 | 1560 | 1460 | 1390 | 1330 | 1280 | 1230 | 1160 | 1080 | 1050 | 1020 | 982  | 927  | 877  | 827  | 777  | 727  |
|                    | 100000                              | 2480  | 1970 | 1560 | 1370 | 1230 | 1150 | 1080 | 1030 | 988  | 948  | 917  | 860  | 801  | 783  | 754  | 724  | 669  | 619  | 569  | 519  | 469  |

See previous page for Basic Load Rating

Operation in the shaded areas require frequent relubrication.

If the load P is greater than .25C consult Rexnord Bearing Products.

Operation in the high speed shaded areas requires frequent relubrication.



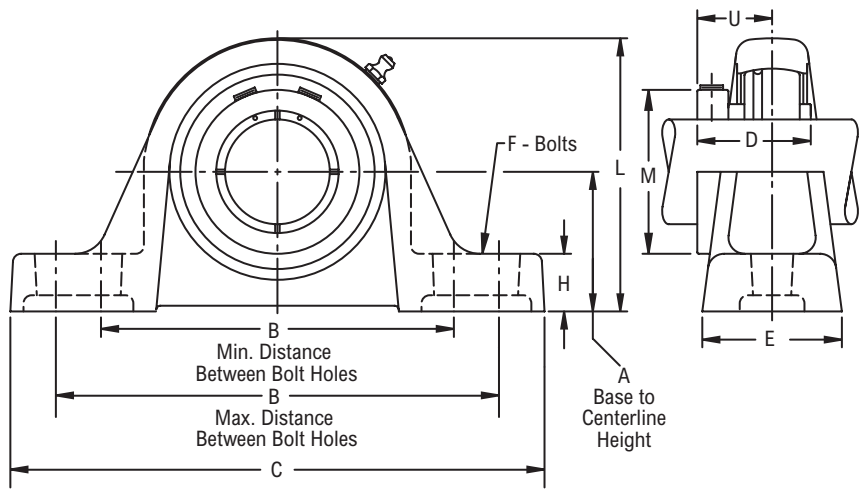
# KC45 (Scheduled to be discontinued in 2013)



Photo Shows a 2-Bolt Ball Bearing Pillow Block Unit

## Product Features

- Corrosion-resistant powder coating
- Cast iron housing
- Broad range of sealing options
- Wide inner ring for increased shaft stability
- Centrik-Lok shaft locking device
- Alignable & relubricatable
- See Features & Benefits for additional info.



## Bearing Dimensions

| Size Code | Shaft Diameter | Part Number    | A<br>Base to<br>Centerline<br>Height | B<br>Min. Distance<br>Between<br>Bolt Holes | B<br>Max. Distance<br>Between<br>Bolt Holes | C       | D       | E     | F     | H      | L       | M       | U      | Approx.<br>Weight |
|-----------|----------------|----------------|--------------------------------------|---|---|---------|---------|-------|-------|--------|---------|---------|--------|-------------------|
| 203       | 1/2            | KC45-12♦●□Δ    | 1 3/16                               | 3 1/8                                       | 4 1/8                                       | 5       | 1 3/32  | 1 3/8 | 3/8   | 1/2    | 2 9/32  | 1 1/8   | 41/64  | 1.49              |
|           | 5/8            | KC45-58♦●□Δ    |                                      |   |   |         |         |       |       |        |         | 1 13/64 |        | 1.45              |
|           | 11/16          | KC45-1116♦●□Δ  |                                      |   |   |         |         |       |       |        |         | 1 13/64 |        | 1.43              |
| 204       | 3/4            | KC45-34♦●□Δ    | 1 5/16                               | 3 3/8                                       | 4 3/16                                      | 5 1/4   | 1 7/32  | 1 1/2 | 3/8   | 17/32  | 2 17/32 | 1 3/8   | 23/32  | 1.66              |
|           | 20.00          | KC45-20♦●□Δ    | 33.32                                | 85.70                                       | 106.40                                      | 133.30  | 30.96   | 38.10 | 10.00 | 13.50  | 64.30   | 34.90   | 18.30  | 0.80              |
| 205       | 7/8            | KC45-78♦●□Δ    | 1 7/16                               | 3 7/16                                      | 4 9/16                                      | 5 1/2   | 1 5/16  | 1 1/2 | 3/8   | 19/32  | 2 13/16 | 1 9/16  | 3/4    | 1.90              |
|           | 15/16          | KC45-1516♦●□Δ  |                                      |   |   |         |         |       |       |        |         | 1 9/16  |        | 1.87              |
|           | 1              | KC451♦●□Δ      |                                      |   |   |         |         |       |       |        |         | 1 9/16  |        | 1.84              |
| 206       | 1 1/8          | KC45-25♦●□Δ    | 1 11/16                              | 4 1/8                                       | 5 1/8                                       | 6 1/4   | 1 1/2   | 1 7/8 | 1/2   | 2 1/32 | 3 3/8   | 1 13/16 | 7/8    | 1.00              |
|           | 1 3/16         | KC451-18♦●□Δ   |                                      |   |   |         |         |       |       |        |         | 2       |        | 3.11              |
|           | 1 1/4          | KC451-316♦●□Δ  |                                      |   |   |         |         |       |       |        |         | 2       |        | 3.08              |
| 207       | 1 1/4          | KC451-14♦●□Δ   | 1 7/8                                | 4 9/16                                      | 5 9/16                                      | 6 11/16 | 1 11/16 | 1 7/8 | 1/2   | 3/4    | 3 3/4   | 2       | 1      | 3.05              |
|           | 1 3/8          | KC451-14♦●□Δ   |                                      |   |   |         |         |       |       |        |         | 2       |        | 3.94              |
|           | 1 7/16         | KC451-38♦●□Δ   |                                      |   |   |         |         |       |       |        |         | 2 1/4   |        | 3.84              |
| 208       | 1 7/16         | KC451-716♦●□Δ  | 1 15/16                              | 5 1/32                                      | 6 1/32                                      | 7 1/4   | 1 15/16 | 2 1/8 | 1/2   | 7/8    | 4       | 2 1/2   | 1 3/16 | 3.78              |
|           | 1 1/2          | KC451-12♦●□Δ   |                                      |   |   |         |         |       |       |        |         | 2 1/2   |        | 4.99              |
|           | 1 5/8          | KC451-58♦●□Δ   |                                      |   |   |         |         |       |       |        |         | 2 1/2   |        | 4.85              |
| 209       | 40.00          | KC45-40♦●□Δ    | 49.22                                | 127.80                                      | 153.20                                      | 184.20  | 49.22   | 54.00 | 12.00 | 22.20  | 101.60  | 63.50   | 30.20  | 2.60              |
|           | 1 5/8          | KC451-58♦●□Δ   | 2 1/8                                | 5 13/32                                     | 6 17/32                                     | 7 3/4   | 1 15/16 | 2 1/8 | 1/2   | 29/32  | 4 5/16  | 2 1/2   | 1 3/16 | 5.69              |
|           | 1 11/16        | KC451-1116♦●□Δ |                                      |   |   |         |         |       |       |        |         | 2 11/16 |        | 5.62              |
| 1 3/4     | KC451-34♦●□Δ   | 2 11/16        |                                      |   |   |         |         |       |       |        |         | 5.55    |        |                   |
| 210       | 1 7/8          | KC451-78♦●□Δ   | 2 1/4                                | 5 27/32                                     | 6 27/32                                     | 8 1/4   | 2 1/32  | 2 3/8 | 5/8   | 1      | 4 9/16  | 2 7/8   | 1 9/32 | 6.83              |
|           | 1 15/16        | KC451-1516♦●□Δ |                                      |   |   |         |         |       |       |        |         | 2 7/8   |        | 6.74              |
|           | 2              | KC452♦●□Δ      |                                      |   |   |         |         |       |       |        |         | 2 7/8   |        | 6.65              |
| 211       | 2              | KC452L♦●□Δ     | 2 1/2                                | 6 5/16                                      | 7 1/2                                       | 8 7/8   | 2 3/16  | 2 3/8 | 5/8   | 1      | 5       | 2 7/8   | 1 5/16 | 8.49              |
|           | 2 3/16         | KC452-316♦●□Δ  |                                      |   |   |         |         |       |       |        |         | 3 1/8   |        | 8.29              |
|           | 2 1/4          | KC452-14♦●□Δ   |                                      |   |   |         |         |       |       |        |         | 3 1/8   |        | 8.19              |
| 212       | 2 1/4          | KC452-14L♦●□Δ  | 2 3/4                                | 6 29/32                                     | 8 5/32                                      | 9 5/8   | 2 9/16  | 2 3/4 | 5/8   | 1 1/16 | 5 9/16  | 3 1/8   | 1 9/16 | 11.99             |
|           | 2 3/8          | KC452-38♦●□Δ   |                                      |   |   |         |         |       |       |        |         | 3 3/8   |        | 11.75             |
|           | 2 7/16         | KC452-716♦●□Δ  |                                      |   |   |         |         |       |       |        |         | 3 3/8   |        | 11.63             |
| 215       | 2 15/16        | KC452-1516♦●□Δ | 3 1/2                                | 8 1/8                                       | 10 1/2                                      | 13      | 3 1/16  | 3 1/2 | 7/8   | 1 7/32 | 6 29/32 | 3 15/16 | 1 3/4  | 25.05             |

## Additional Notes

- Please call 1-866-REXNORD for availability
- Lubrication fitting tap size, 1/8 in PT
- Base to centerline tolerance, +/- .005 in (+/- 0.13 mm)
- Lip seals standard
  - ♦ Available with E1 viton seals for size codes 212 and smaller
  - ♦ Available with TFF viton seals for size codes above 212
- Available with free running style seals, add suffix ● FF, □ HFF or Δ MHFF for size codes 212 and smaller

- Add suffix ● FF, □ SFF or Δ MKFF for size codes above 212
- For the Selection Guide, Load Ratings and Speed Limits, see the Krown Regal Ball Bearing Engineering section
- Note: Dimensions subject to change. Certified dimensions of ordered material furnished on request.

## KC55 (Scheduled to be discontinued in 2013)

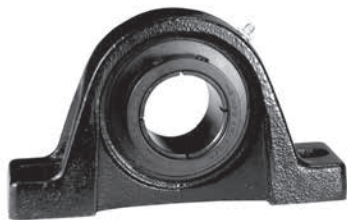
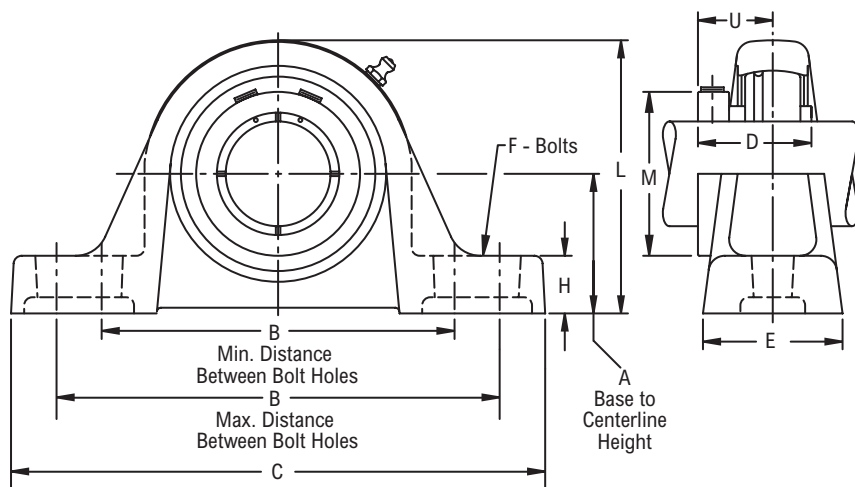


Photo Shows a 2-Bolt Ball Bearing Pillow Block Unit

### Product Features

- Corrosion-resistant powder coating
- Cast iron housing
- Broad range of sealing options
- Wide inner ring for increased shaft stability
- Centrik-Lok shaft locking device
- Alignable & relubricatable
- See Features & Benefits for additional info.



### Bearing Dimensions

| Size Code | Shaft Diameter | Part Number   | A<br>Base to<br>Centerline<br>Height | B<br>Min. Distance<br>Between<br>Bolt Holes | B<br>Max. Distance<br>Between<br>Bolt Holes | C       | D       | E     | F   | H       | L       | M       | U       | Approx.<br>Weight |
|-----------|----------------|---------------|--------------------------------------|---|---|---------|---------|-------|-----|---------|---------|---------|---------|-------------------|
| 206       | 1              | KC551◆□△      | 1 3/4                                | 4 1/8                                       | 5 1/8                                       | 6 1/4   | 1 1/2   | 1 7/8 | 1/2 | 23/32   | 3 7/16  | 1 3/16  | 7/8     | 3.20              |
| 207       | 1 3/16         | KC551-316◆□△  | 1 7/8                                | 4 9/16                                      | 5 9/16                                      | 6 11/16 | 1 11/16 | 1 7/8 | 1/2 | 3/4     | 3 3/4   | 2       | 1       | 3.95              |
| 208       | 1 7/16         | KC551-716◆□△  | 2 1/8                                | 5 1/32                                      | 6 1/32                                      | 7 1/4   | 1 15/16 | 2 1/8 | 1/2 | 7/8     | 4 3/16  | 2 1/4   | 1 3/16  | 5.04              |
| 209       | 1 1/2          | KC551-12◆□△   | 2 5/16                               | 5 13/32                                     | 6 17/32                                     | 7 3/4   | 1 15/16 | 2 1/8 | 1/2 | 29/32   | 4 5/16  | 2 1/2   | 1 3/16  | 5.81              |
| 210       | 1 11/16        | KC551-1116◆□△ | 2 5/16                               | 5 27/32                                     | 6 27/32                                     | 8 1/4   | 2 1/32  | 2 3/8 | 5/8 | 1       | 4 5/8   | 2 3/4   | 1 9/32  | 7.00              |
|           | 1 3/4          | KC551-34◆□△   |                                      |   |   |         |         |       |     |         |         |         |         |                   |
| 211       | 1 15/16        | KC551-1516◆□△ | 2 1/2                                | 6 5/16                                      | 7 1/2                                       | 8 7/8   | 2 3/16  | 2 3/8 | 5/8 | 1       | 5       | 2 7/8   | 1 5/16  | 8.50              |
|           | 2              | KC552◆□△      |                                      |   |   |         |         |       |     |         |         |         |         |                   |
| 212       | 2 3/16         | KC552-316◆□△  | 2 3/4                                | 6 29/32                                     | 8 5/32                                      | 9 5/8   | 2 9/16  | 2 3/4 | 5/8 | 1 1/16  | 5 9/16  | 3 1/8   | 1 9/16  | 12.11             |
| 214       | 2 7/16         | KC552-716◆□△  | 3                                    | 7 1/2                                       | 9 1/2                                       | 11 1/4  | 2 3/4   | 3 1/4 | 3/4 | 1 5/32  | 6 1/4   | 3 3/4   | 1 11/16 | 19.00             |
|           | 2 1/2          | KC552-12◆□△   |                                      |   |   |         |         |       |     |         |         |         |         |                   |
| 215       | 2 11/16        | KC552-1116◆□△ | 3 1/2                                | 8 1/8                                       | 10 1/2                                      | 13      | 3 1/16  | 3 1/2 | 7/8 | 1 7/32  | 6 29/32 | 3 15/16 | 1 3/4   | 25.68             |
| 216       | 2 15/16        | KC552-1516◆□△ | 3 1/2                                | 8 3/8                                       | 10 1/2                                      | 13      | 3 1/4   | 3 1/2 | 7/8 | 1 9/32  | 7 1/4   | 4 3/16  | 1 15/16 | 27.00             |
|           | 3              | KC553◆□△      |                                      |   |   |         |         |       |     |         |         |         |         |                   |
|           | 3 3/16         | KC553-316◆□△  |                                      |   |   |         |         |       |     |         |         |         |         |                   |
| 218       | 3 7/16         | KC553-716◆□△  | 4                                    | 9 13/16                                     | 12 5/16                                     | 15      | 3 25/32 | 4 3/8 | 7/8 | 1 11/32 | 8 1/4   | 4 13/16 | 2 7/32  | 41.00             |
|           | 3 1/2          | KC553-12◆□△   |                                      |   |   |         |         |       |     |         |         |         |         |                   |

### Additional Notes

- Please call 1-866-REXNORD for availability
- Lubrication fitting tap size, 1/8 in PT
- Base to centerline tolerance, +/- .005 in (+/- 0.13 mm)
- Lip seals standard
- ◆ Available with E1 viton seals for size codes 212 and smaller
- ◆ Available with TFF viton seals for size codes above 212
- Available with free running style seals, add suffix ● FF, □ HFF or △ MHFF for size codes 212 and smaller

- Add suffix ● FF, □ SFF or △ MKFF for size codes above 212
- For the Selection Guide, Load Ratings and Speed Limits, see the Krown Regal Ball Bearing Engineering section
- Note: Dimensions subject to change. Certified dimensions of ordered material furnished on request.

# KCL45 (Scheduled to be discontinued in 2013)

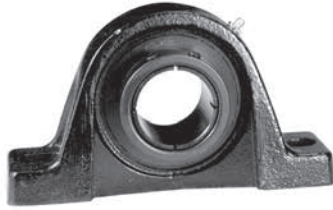
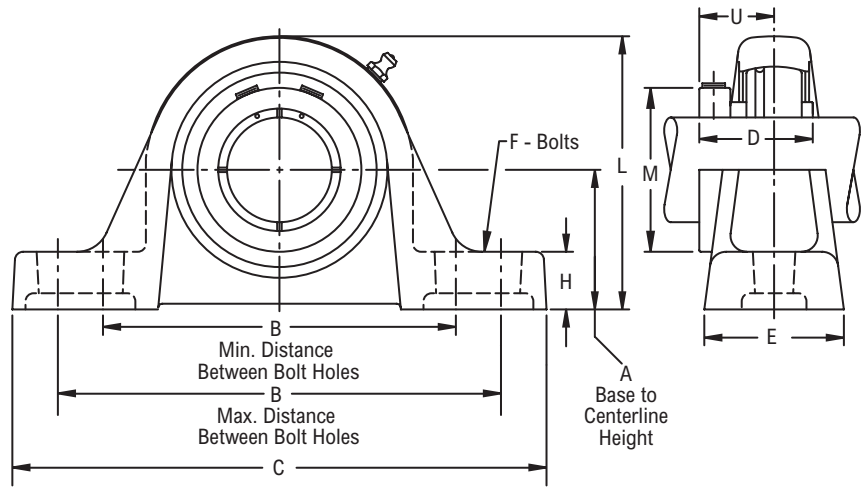


Photo Shows a 2-Bolt Ball Bearing Pillow Block Unit

## Product Features

- Corrosion-resistant powder coating
- Cast iron housing
- Broad range of sealing options
- Wide inner ring for increased shaft stability
- Centrik-Lok shaft locking device
- Alignable & relubricatable
- Low base to center height
- See Features & Benefits for additional info.



## Bearing Dimensions

| Size Code | Shaft Diameter | Part Number      | A<br>Base to<br>Centerline<br>Height | B<br>Min. Distance<br>Between<br>Bolt Holes | B<br>Max. Distance<br>Between<br>Bolt Holes | C       | D       | E     | F     | H      | L       | M       | U      | Approx.<br>Weight |
|-----------|----------------|------------------|--------------------------------------|---|---|---------|---------|-------|-------|--------|---------|---------|--------|-------------------|
| 203       | 1/2            | KCL45-12♦♦ □Δ    | 1 1/16                               | 3 1/8                                       | 4 1/8                                       | 5       | 1 3/32  | 1 3/8 | 3/8   | 3/8    | 2 5/32  | 1 1/8   | 4 1/64 | 1.32              |
|           | 5/8            | KCL45-58♦♦ □Δ    |                                      |   |   |         |         |       |       |        |         | 1 13/64 |        | 1.28              |
|           | 1 1/16         | KCL45-1116♦♦ □Δ  |                                      |   |   |         |         |       |       |        |         |         |        | 1.26              |
| 204       | 3/4            | KCL45-34♦♦ □Δ    | 1 1/4                                | 3 3/8                                       | 4 3/16                                      | 5 1/4   | 1 7/32  | 1 1/2 | 3/8   | 15/32  | 2 15/32 | 1 3/8   | 23/32  | 1.49              |
|           | 20.00          | KCL45-20♦♦ □Δ    | 31.75                                | 85.70                                       | 106.40                                      | 133.30  | 30.96   | 38.10 | 10.00 | 11.90  | 62.70   | 34.90   | 18.30  | 0.70              |
| 205       | 7/8            | KCL45-78♦♦ □Δ    | 1 5/16                               | 3 7/16                                      | 4 9/16                                      | 5 1/2   | 1 5/16  | 1 1/2 | 3/8   | 15/32  | 2 11/16 | 1 9/16  | 3/4    | 1.72              |
|           | 1 5/16         | KCL45-1516♦♦ □Δ  |                                      |   |   |         |         |       |       |        |         |         |        | 1.69              |
|           | 1              | KCL451♦♦ □Δ      |                                      |   |   |         |         |       |       |        |         |         |        | 1.68              |
| 206       | 1 1/8          | KCL451-18♦♦ □Δ   | 1 9/16                               | 4 1/8                                       | 5 1/8                                       | 6 1/4   | 1 1/2   | 1 7/8 | 1/2   | 17/32  | 3 1/4   | 1 13/16 | 7/8    | 2.93              |
|           | 1 3/16         | KCL451-316♦♦ □Δ  |                                      |   |   |         |         |       |       |        |         | 2       |        | 2.90              |
|           | 1 1/4          | KCL451-14S♦♦ □Δ  |                                      |   |   |         |         |       |       |        |         |         |        | 2.87              |
| 207       | 1 1/4          | KCL451-14♦♦ □Δ   | 1 13/16                              | 4 9/16                                      | 5 9/16                                      | 6 11/16 | 1 11/16 | 1 7/8 | 1/2   | 11/16  | 3 11/16 | 2 1/4   | 1      | 3.85              |
|           | 1 3/8          | KCL451-38♦♦ □Δ   |                                      |   |   |         |         |       |       |        |         |         |        | 3.75              |
|           | 1 7/16         | KCL451-716♦♦ □Δ  |                                      |   |   |         |         |       |       |        |         |         |        | 3.69              |
| 208       | 1 1/2          | KCL451-12♦♦ □Δ   | 1 15/16                              | 5 1/32                                      | 6 1/32                                      | 7 1/4   | 1 15/16 | 2 1/8 | 1/2   | 7/8    | 4       | 2 1/2   | 1 3/16 | 4.99              |
|           | 1 5/8          | KCL451-58♦♦ □Δ   |                                      |   |   |         |         |       |       |        |         |         |        | 4.85              |
|           | 40.00          | KCL45-40♦♦ □Δ    |                                      |   |   |         |         |       |       |        |         |         |        | 49.22             |
| 209       | 1 5/8          | KCL451-58L♦♦ □Δ  | 2 1/16                               | 5 13/32                                     | 6 17/32                                     | 7 3/4   | 1 15/16 | 2 1/8 | 1/2   | 27/32  | 4 1/4   | 2 1/2   | 1 3/16 | 5.43              |
|           | 1 11/16        | KCL451-1116♦♦ □Δ |                                      |   |   |         |         |       |       |        |         | 2 11/16 |        | 5.36              |
|           | 1 3/4          | KCL451-34♦♦ □Δ   |                                      |   |   |         |         |       |       |        |         |         |        | 5.29              |
| 210       | 1 3/4          | KCL451-78♦♦ □Δ   | 2 3/16                               | 5 27/32                                     | 6 27/32                                     | 8 1/4   | 2 1/32  | 2 3/8 | 5/8   | 15/16  | 4 1/4   | 2 7/8   | 1 9/32 | 6.75              |
|           | 1 15/16        | KCL451-1516♦♦ □Δ |                                      |   |   |         |         |       |       |        |         |         |        | 6.66              |
|           | 2              | KCL452♦♦ □Δ      |                                      |   |   |         |         |       |       |        |         |         |        | 6.57              |
| 211       | 2              | KCL452L♦♦ □Δ     | 2 7/16                               | 6 5/16                                      | 7 1/2                                       | 8 7/8   | 2 3/16  | 2 3/8 | 5/8   | 15/16  | 4 15/16 | 2 7/8   | 1 5/16 | 8.40              |
|           | 2 3/16         | KCL452-316♦♦ □Δ  |                                      |   |   |         |         |       |       |        |         | 3 1/8   |        | 8.10              |
|           | 2 1/4          | KCL452-14♦♦ □Δ   |                                      |   |   |         |         |       |       |        |         |         |        | 8.00              |
| 212       | 2 1/4          | KCL452-14L♦♦ □Δ  | 2 11/16                              | 6 29/32                                     | 8 5/32                                      | 9 5/8   | 2 9/16  | 2 3/4 | 5/8   | 1      | 5 1/2   | 3 1/8   | 1 9/16 | 11.81             |
|           | 2 3/8          | KCL452-38♦♦ □Δ   |                                      |   |   |         |         |       |       |        |         | 3 3/8   |        | 11.57             |
|           | 2 7/16         | KCL452-716♦♦ □Δ  |                                      |   |   |         |         |       |       |        |         |         |        | 11.45             |
| 215       | 2 15/16        | KCL452-1516♦♦ □Δ | 3 5/16                               | 8 1/8                                       | 10 1/2                                      | 13      | 3 1/16  | 3 1/2 | 7/8   | 1 1/32 | 6 23/32 | 3 15/16 | 1 3/4  | 24.55             |

## Additional Notes

- Please call 1-866-REXNORD for availability
- Lubrication fitting tap size: for size codes 203 through 205, 1/4 in-28 UNF: for all other size codes, 1/8 in PT
- Base to centerline tolerance, +/- .005 in (+/- 0.13 mm)
- Lip seals standard
- ♦ Available with E1 viton seals for size codes 212 and smaller
- ♦ Available with TFF viton seals for size codes above 212

- Available with free running style seals, add suffix ♦ FF, □ HFF or Δ MHFF for size codes 212 and smaller
- Add suffix ♦ FF, □ SFF or Δ MKFF for size codes above 212
- For the Selection Guide, Load Ratings and Speed Limits, see the Krown Regal Ball Bearing Engineering section
- Note: Dimensions subject to change. Certified dimensions of ordered material furnished on request.

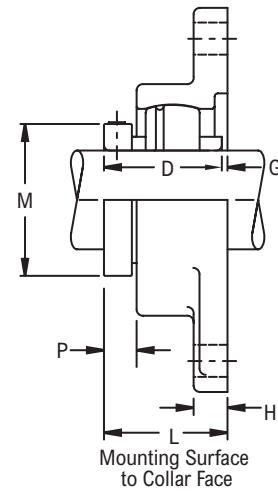
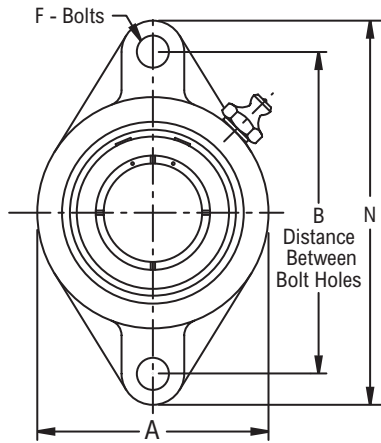
## KFC245 (Scheduled to be discontinued in 2013)



Photo Shows a 2-Bolt Ball Bearing Flanged Unit

### Product Features

- Corrosion-resistant powder coating
- Cast iron housing
- Broad range of sealing options
- Wide inner ring for increased shaft stability
- Centrik-Lok shaft locking device
- Alignable & relubricatable
- See Features & Benefits for additional info.



Mounting Surface to Collar Face

### Bearing Dimensions

| Size Code | Shaft Diameter | Part Number      | B Distance Between Bolt Holes | L Mounting Surface to Collar Face | A       | D       | F     | G    | H     | M       | N       | P     | Approx. Weight |
|-----------|----------------|------------------|-------------------------------|-----------------------------------|---------|---------|-------|------|-------|---------|---------|-------|----------------|
| 203       | 1/2            | KFC245-12◆ □Δ    | 3                             | 1 13/64                           | 2 5/16  | 1 3/32  | 3/8   | 7/64 | 7/16  | 1 1/8   | 3 7/8   | 19/64 | 0.95           |
|           | 5/8            | KFC245-58◆ □Δ    |                               |                                   |         |         |       |      |       | 1 13/64 |         |       | 0.91           |
|           | 11/16          | KFC245-1116◆ □Δ  |                               |                                   |         |         |       |      |       | 1 13/64 |         |       | 0.89           |
| 204       | 3/4            | KFC245-34◆ □Δ    | 3 17/32                       | 1 9/32                            | 2 7/16  | 1 7/32  | 3/8   | 1/16 | 7/16  | 1 3/8   | 4 13/32 | 11/32 | 1.05           |
|           | 20.00          | KFC245-20◆ □Δ    | 89.69                         | 32.20                             | 58.40   | 30.96   | 10.00 | 1.60 | 11.10 | 34.90   | 111.90  | 8.70  | 0.50           |
| 205       | 7/8            | KFC245-78◆ □Δ    | 3 57/64                       | 1 3/8                             | 2 3/4   | 1 5/16  | 7/16  | 1/16 | 17/32 | 1 9/16  | 4 7/8   | 13/32 | 1.37           |
|           | 15/16          | KFC245-1516◆ □Δ  |                               |                                   |         |         |       |      |       | 1 9/16  |         |       | 1.34           |
|           | 1              | KFC2451◆ □Δ      |                               |                                   |         |         |       |      |       | 1 9/16  |         |       | 1.31           |
|           | 25.00          | KFC245-25◆ □Δ    | 98.82                         | 34.90                             | 69.80   | 33.32   | 10.00 | 1.60 | 13.50 | 39.70   | 123.80  | 10.30 | 0.60           |
| 206       | 1 1/8          | KFC2451-18◆ □Δ   | 4 19/32                       | 1 9/16                            | 3 3/16  | 1 1/2   | 7/16  | 1/16 | 17/32 | 1 13/16 | 5 9/16  | 7/16  | 1.88           |
|           | 1 3/16         | KFC2451-316◆ □Δ  |                               |                                   |         |         |       |      |       | 2       |         |       | 1.84           |
|           | 1 1/4          | KFC2451-14S◆ □Δ  |                               |                                   |         |         |       |      |       | 2       |         |       | 1.80           |
| 207       | 1 1/4          | KFC2451-14◆ □Δ   | 5 1/8                         | 1 3/4                             | 3 11/16 | 1 11/16 | 1/2   | 1/16 | 9/16  | 2       | 6 1/8   | 15/32 | 2.80           |
|           | 1 3/8          | KFC2451-38◆ □Δ   |                               |                                   |         |         |       |      |       | 2 1/4   |         |       | 2.70           |
|           | 1 7/16         | KFC2451-716◆ □Δ  |                               |                                   |         |         |       |      |       | 2 1/4   |         |       | 2.65           |
| 208       | 1 1/2          | KFC2451-12◆ □Δ   | 5 21/32                       | 2 1/64                            | 4 1/8   | 1 15/16 | 1/2   | 5/64 | 9/16  | 2 1/2   | 6 3/4   | 33/64 | 3.94           |
|           | 1 5/8          | KFC2451-58◆ □Δ   |                               |                                   |         |         |       |      |       | 2 1/2   |         |       | 3.80           |
|           | 40.00          | KFC245-40◆ □Δ    |                               |                                   |         |         |       |      |       | 143.67  |         |       | 51.20          |
| 209       | 1 5/8          | KFC2451-58L◆ □Δ  | 5 27/32                       | 2 3/64                            | 4 3/8   | 1 15/16 | 9/16  | 7/64 | 9/16  | 2 1/2   | 7 1/16  | 31/64 | 4.37           |
|           | 1 11/16        | KFC2451-1116◆ □Δ |                               |                                   |         |         |       |      |       | 2 11/16 |         |       | 4.30           |
|           | 1 3/4          | KFC2451-34◆ □Δ   |                               |                                   |         |         |       |      |       | 2 11/16 |         |       | 4.23           |
| 210       | 1 7/8          | KFC2451-78◆ □Δ   | 6 3/16                        | 2 5/32                            | 4 9/16  | 2 1/32  | 9/16  | 1/8  | 9/16  | 2 7/8   | 7 15/32 | 19/32 | 4.64           |
|           | 1 15/16        | KFC2451-1516◆ □Δ |                               |                                   |         |         |       |      |       | 2 7/8   |         |       | 4.55           |
|           | 2              | KFC2452◆ □Δ      |                               |                                   |         |         |       |      |       | 2 7/8   |         |       | 4.46           |
| 211       | 2              | KFC2452L◆ □Δ     | 7 1/4                         | 2 5/16                            | 5       | 2 3/16  | 5/8   | 1/8  | 13/16 | 2 7/8   | 8 1/2   | 9/16  | 7.35           |
|           | 2 3/16         | KFC2452-316◆ □Δ  |                               |                                   |         |         |       |      |       | 3 1/8   |         |       | 7.05           |
|           | 2 1/4          | KFC2452-14◆ □Δ   |                               |                                   |         |         |       |      |       | 3 1/8   |         |       | 6.95           |

### Additional Notes

- Please call 1-866-REXNORD for availability
- Lubrication fitting tap size, 1/8 in PT
- Lip seals standard
- ◆ Available with E1 viton seals
- Available with free running style seals, add suffix ◆ FF, □ HFF or Δ MHFF
- For the Selection Guide, Load Ratings and Speed Limits, see the Krown Regal Ball Bearing Engineering section
- Note: Dimensions subject to change. Certified dimensions of ordered material furnished on request.

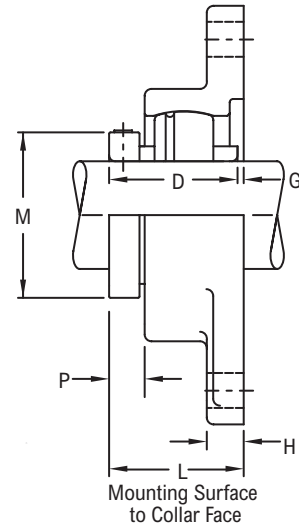
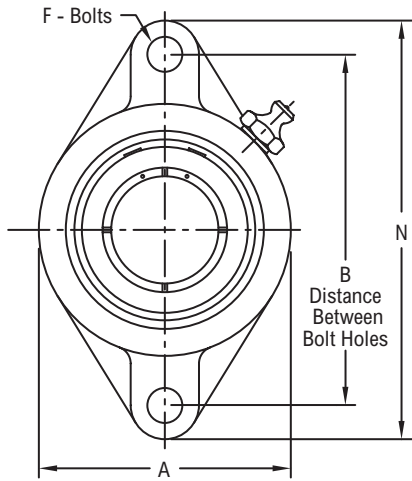
## KFC255 (Scheduled to be discontinued in 2013)



Photo Shows a 2-Bolt Ball Bearing Flanged Unit

### Product Features

- Corrosion-resistant powder coating
- Cast iron housing
- Broad range of sealing options
- Wide inner ring for increased shaft stability
- Centrik-Lok shaft locking device
- Alignable & relubricatable
- See Features & Benefits for additional info.



Mounting Surface to Collar Face

### Bearing Dimensions

| Size Code | Shaft Diameter                  | Part Number      | B Distance Between Bolt Holes   | L Mounting Surface to Collar Face | A                               | D                               | F    | G    | H     | M                               | N                               | P     | Approx. Weight |
|-----------|---------------------------------|------------------|---------------------------------|-----------------------------------|---------------------------------|---------------------------------|------|------|-------|---------------------------------|---------------------------------|-------|----------------|
| 206       | 1                               | KFC2551◆●□△      | 4 <sup>19</sup> / <sub>32</sub> | 1 <sup>9</sup> / <sub>16</sub>    | 3 <sup>3</sup> / <sub>16</sub>  | 1 1/2                           | 7/16 | 1/16 | 17/32 | 1 <sup>13</sup> / <sub>16</sub> | 5 <sup>19</sup> / <sub>32</sub> | 7/16  | 1.97           |
| 207       | 1 <sup>3</sup> / <sub>16</sub>  | KFC2551-316◆●□△  | 5 1/8                           | 1 3/4                             | 3 <sup>11</sup> / <sub>16</sub> | 1 <sup>11</sup> / <sub>16</sub> | 1/2  | 1/16 | 9/16  | 2                               | 6 1/8                           | 15/32 | 2.81           |
| 208       | 1 <sup>7</sup> / <sub>16</sub>  | KFC2551-716◆●□△  | 5 <sup>21</sup> / <sub>32</sub> | 2 <sup>1</sup> / <sub>64</sub>    | 4 1/8                           | 1 <sup>15</sup> / <sub>16</sub> | 1/2  | 5/64 | 9/16  | 2 1/4                           | 6 <sup>25</sup> / <sub>32</sub> | 33/64 | 3.99           |
| 209       | 1 1/2                           | KFC2551-12◆●□△   | 5 <sup>27</sup> / <sub>32</sub> | 2 <sup>3</sup> / <sub>64</sub>    | 4 3/8                           | 1 <sup>15</sup> / <sub>16</sub> | 9/16 | 7/64 | 9/16  | 2 1/2                           | 7 <sup>3</sup> / <sub>32</sub>  | 31/64 | 4.49           |
| 210       | 1 <sup>11</sup> / <sub>16</sub> | KFC2551-1116◆●□△ | 6 <sup>3</sup> / <sub>16</sub>  | 2 <sup>5</sup> / <sub>32</sub>    | 4 <sup>9</sup> / <sub>16</sub>  | 2 <sup>1</sup> / <sub>32</sub>  | 9/16 | 1/8  | 9/16  | 2 3/4                           | 7 <sup>7</sup> / <sub>16</sub>  | 19/32 | 4.80           |
|           | 1 <sup>3</sup> / <sub>4</sub>   | KFC2551-34◆●□△   |                                 |                                   |                                 |                                 |      |      |       |                                 |                                 |       |                |
| 211       | 1 <sup>15</sup> / <sub>16</sub> | KFC2551-1516◆●□△ | 7 1/4                           | 2 <sup>5</sup> / <sub>16</sub>    | 5                               | 2 <sup>3</sup> / <sub>16</sub>  | 5/8  | 1/8  | 13/16 | 2 7/8                           | 8 1/2                           | 9/16  | 7.44           |

### Additional Notes

- Please call 1-866-REXNORD for availability
- Lubrication fitting tap size, 1/8 in PT
- Lip seals standard
- ◆ Available with E1 viton seals
- Available with free running style seals, add suffix ● FF, □ HFF or △ MHFF
- For the Selection Guide, Load Ratings and Speed Limits, see the Krown Regal Ball Bearing Engineering section
- Note: Dimensions subject to change. Certified dimensions of ordered material furnished on request.

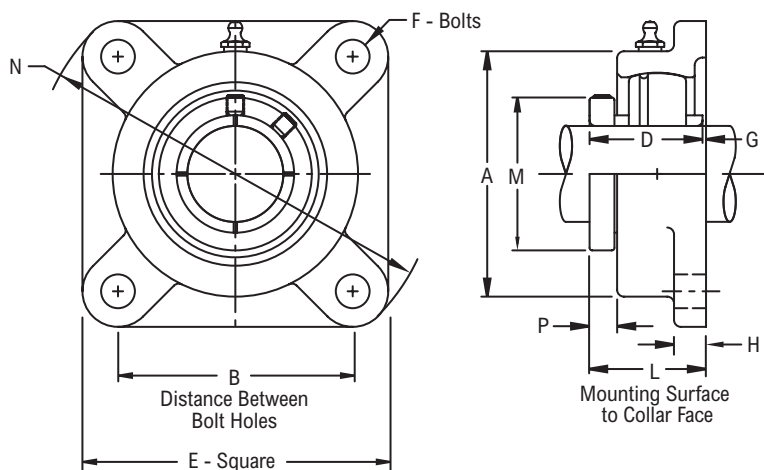
## KFC445 (Scheduled to be discontinued in 2013)



Photo Shows a 4-Bolt Ball Bearing Flanged Unit

### Product Features

- Corrosion-resistant powder coating
- Cast iron housing
- Broad range of sealing options
- Wide inner ring for increased shaft stability
- Centrik-Lok shaft locking device
- Alignable & relubricatable
- See Features & Benefits for additional info.



### Bearing Dimensions

| Size Code | Shaft Diameter  | Part Number      | B Distance Between Bolt Holes | L Mounting Surface to Collar Face | A      | D       | E     | F     | G    | H     | M       | N       | P     | Approx. Weight |
|-----------|-----------------|------------------|-------------------------------|-----------------------------------|--------|---------|-------|-------|------|-------|---------|---------|-------|----------------|
| 203       | 1/2             | KFC445-12◆●□Δ    | 2 1/8                         | 1 13/64                           | 2 1/8  | 1 3/32  | 3     | 3/8   | 7/64 | 7/16  | 1 1/8   | 3 7/8   | 19/64 | 1.22           |
|           | 5/8             | KFC445-58◆●□Δ    |                               |                                   |        |         |       |       |      |       | 1 13/64 |         |       | 1.18           |
|           | 11/16           | KFC445-1116◆●□Δ  |                               |                                   |        |         |       |       |      |       | 1.16    |         |       |                |
| 204       | 3/4             | KFC445-34◆●□Δ    | 2 1/2                         | 1 9/32                            | 2 3/8  | 1 7/32  | 3 3/8 | 3/8   | 1/16 | 7/16  | 1 3/8   | 4 13/32 | 11/32 | 1.31           |
|           | 20.00           | KFC445-20◆●□Δ    | 63.50                         | 32.20                             | 60.30  | 30.96   | 85.70 | 10.00 | 1.60 | 11.10 | 34.90   | 111.90  | 8.70  | 0.60           |
| 205       | 7/8             | KFC445-78◆●□Δ    | 2 3/4                         | 1 3/8                             | 2 3/4  | 1 5/16  | 3 3/4 | 7/16  | 1/16 | 17/32 | 1 9/16  | 4 7/8   | 11/32 | 1.81           |
|           | 15/16           | KFC445-1516◆●□Δ  |                               |                                   |        |         |       |       |      |       | 1.78    |         |       |                |
|           | 1               | KFC4451◆●□Δ      |                               |                                   |        |         |       |       |      |       | 1.75    |         |       |                |
| 206       | 25.00           | KFC445-25◆●□Δ    | 69.85                         | 34.90                             | 69.80  | 33.32   | 95.20 | 10.00 | 1.60 | 13.50 | 39.70   | 123.80  | 8.70  | 0.80           |
|           | 1 1/8           | KFC4451-18◆●□Δ   | 3 1/4                         | 1 9/16                            | 3 1/4  | 1 1/2   | 4 1/4 | 7/16  | 1/16 | 17/32 | 1 13/16 | 5 9/16  | 7/16  | 3.11           |
|           | 1 3/16          | KFC4451-316◆●□Δ  |                               |                                   |        |         |       |       |      |       | 2       |         |       | 3.07           |
| 1 1/4     | KFC4451-14S◆●□Δ | 3.03             |                               |                                   |        |         |       |       |      |       |         |         |       |                |
| 207       | 1 1/4           | KFC4451-14◆●□Δ   | 3 5/8                         | 1 3/4                             | 3 3/4  | 1 11/16 | 4 5/8 | 1/2   | 1/16 | 9/16  | 2       | 6 1/8   | 15/32 | 3.59           |
|           | 1 3/8           | KFC4451-38◆●□Δ   |                               |                                   |        |         |       |       |      |       | 2 1/4   |         |       | 3.49           |
|           | 1 7/16          | KFC4451-716◆●□Δ  |                               |                                   |        |         |       |       |      |       | 3.44    |         |       |                |
| 208       | 1 1/2           | KFC4451-12◆●□Δ   | 4                             | 2 1/64                            | 4 1/8  | 1 15/16 | 5 1/4 | 1/2   | 5/64 | 9/16  | 2 1/2   | 6 3/4   | 33/64 | 4.81           |
|           | 1 5/8           | KFC4451-58◆●□Δ   |                               |                                   |        |         |       |       |      |       | 4.67    |         |       |                |
|           | 40.00           | KFC445-40◆●□Δ    |                               |                                   |        |         |       |       |      |       | 101.60  |         |       | 51.20          |
| 209       | 1 5/8           | KFC4451-58L◆●□Δ  | 4 1/8                         | 2 3/64                            | 4 3/8  | 1 15/16 | 5 3/8 | 9/16  | 7/64 | 9/16  | 2 1/2   | 7 1/16  | 31/64 | 4.99           |
|           | 1 11/16         | KFC4451-1116◆●□Δ |                               |                                   |        |         |       |       |      |       | 2 11/16 |         |       | 4.92           |
|           | 1 3/4           | KFC4451-34◆●□Δ   |                               |                                   |        |         |       |       |      |       | 4.84    |         |       |                |
| 210       | 1 7/8           | KFC4451-78◆●□Δ   | 4 3/8                         | 2 5/32                            | 4 9/16 | 2 1/32  | 5 5/8 | 9/16  | 1/8  | 9/16  | 2 7/8   | 7 15/32 | 19/32 | 5.52           |
|           | 1 15/16         | KFC4451-1516◆●□Δ |                               |                                   |        |         |       |       |      |       | 5.43    |         |       |                |
|           | 2               | KFC4452◆●□Δ      |                               |                                   |        |         |       |       |      |       | 5.34    |         |       |                |
| 211       | 2               | KFC4452L◆●□Δ     | 5 1/8                         | 2 5/16                            | 5 1/4  | 2 3/16  | 6 3/8 | 5/8   | 1/8  | 13/16 | 2 7/8   | 8 1/2   | 9/16  | 9.19           |
|           | 2 3/16          | KFC4452-316◆●□Δ  |                               |                                   |        |         |       |       |      |       | 3 1/8   |         |       | 8.89           |
|           | 2 1/4           | KFC4452-14◆●□Δ   |                               |                                   |        |         |       |       |      |       | 8.79    |         |       |                |
| 212       | 2 1/4           | KFC4452-14L◆●□Δ  | 5 5/8                         | 2 11/16                           | 5 1/2  | 2 9/16  | 6 7/8 | 5/8   | 1/8  | 13/16 | 3 1/8   | 9 1/4   | 27/32 | 10.32          |
|           | 2 3/8           | KFC4452-38◆●□Δ   |                               |                                   |        |         |       |       |      |       | 3 3/8   |         |       | 10.08          |
|           | 2 7/16          | KFC4452-716◆●□Δ  |                               |                                   |        |         |       |       |      |       | 9.96    |         |       |                |
| 215       | 2 15/16         | KFC4452-1516◆●□Δ | 6                             | 3 3/16                            | 6 1/2  | 3 1/16  | 7 3/4 | 3/4   | 1/8  | 1     | 3 15/16 | 10 1/4  | 7/8   | 11.00          |

### Additional Notes

- Please call 1-866-REXNORD for availability
- Lubrication fitting tap size, 1/8 in PT
- Lip seals standard
- ◆ Available with E1 viton seals for size codes 212 and smaller
- ◆ Available with TFF viton seals for size codes above 212
- Available with free running style seals, add suffix ● FF, □ HFF or Δ MHFF for size codes 212 and smaller
- Add suffix ● FF, □ SFF or Δ MKFF for size codes above 212

For the Selection Guide, Load Ratings and Speed Limits, see the Krown Regal Ball Bearing Engineering section

Note: Dimensions subject to change. Certified dimensions of ordered material furnished on request.

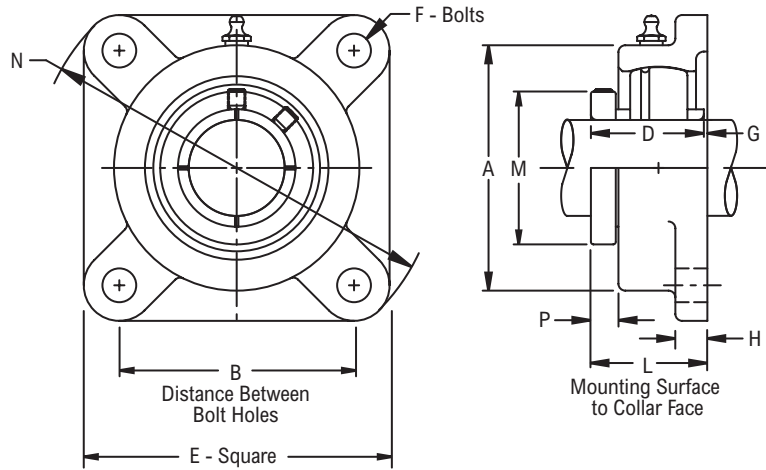
# KFC455 (Scheduled to be discontinued in 2013)



Photo Shows a 4-Bolt Ball Bearing Flanged Unit

## Product Features

- Corrosion-resistant powder coating
- Cast iron housing
- Broad range of sealing options
- Wide inner ring for increased shaft stability
- Centrik-Lok shaft locking device
- Alignable & relubricatable
- See Features & Benefits for additional info.



## Bearing Dimensions

| Size Code | Shaft Diameter | Part Number       | B Distance Between Bolt Holes | L Mounting Surface to Collar Face | A      | D       | E     | F    | G    | H     | M       | N       | P      | Approx. Weight |
|-----------|----------------|-------------------|-------------------------------|-----------------------------------|--------|---------|-------|------|------|-------|---------|---------|--------|----------------|
| 206       | 1              | KFC4551◆●□△       | 3 1/4                         | 1 9/16                            | 3 1/4  | 1 1/2   | 4 1/4 | 7/16 | 1/16 | 17/32 | 1 13/16 | 5 19/32 | 7/16   | 3.15           |
| 207       | 1 3/16         | KFC4551-316◆●□△   | 3 5/8                         | 1 3/4                             | 3 3/4  | 1 11/16 | 4 5/8 | 1/2  | 1/16 | 9/16  | 2       | 6 1/8   | 15/32  | 3.50           |
| 208       | 1 7/16         | KFC4551-716◆●□△   | 4                             | 2 1/64                            | 4 1/8  | 1 15/16 | 5 1/4 | 1/2  | 5/64 | 9/16  | 2 1/4   | 6 25/32 | 33/64  | 4.87           |
| 209       | 1 1/2          | KFC4551-12◆●□△    | 4 1/8                         | 2 3/64                            | 4 3/8  | 1 15/16 | 5 3/8 | 9/16 | 7/64 | 9/16  | 2 1/2   | 7 3/32  | 31/64  | 5.17           |
| 210       | 1 11/16        | KFC4551-1116◆●□△  | 4 3/8                         | 2 5/32                            | 4 9/16 | 2 1/32  | 5 5/8 | 9/16 | 1/8  | 9/16  | 2 3/4   | 7 7/16  | 19/32  | 5.80           |
|           | 1 3/4          | KFC4551-34◆●□△    |                               |                                   |        |         |       |      |      |       |         |         |        |                |
| 211       | 1 15/16        | KFC4551-1516◆●□△  | 5 1/8                         | 2 5/16                            | 5 1/4  | 2 3/16  | 6 3/8 | 5/8  | 1/8  | 13/16 | 2 7/8   | 8 1/2   | 9/16   | 9.35           |
| 212       | 2 3/16         | KFC4552-316◆●□△   | 5 5/8                         | 2 11/16                           | 5 1/2  | 2 9/16  | 6 7/8 | 5/8  | 1/8  | 13/16 | 3 1/8   | 9 1/4   | 27/32  | 10.41          |
| 214       | 2 7/16         | KFC4552-716◆●□△◆  | 5 7/8                         | 3                                 | 6 1/8  | 2 3/4   | 7 3/8 | 5/8  | 1/4  | 13/16 | 3 3/4   | 9 13/16 | 27/32  | 14.62          |
|           | 2 1/2          | KFC4552-12◆●□△◆   |                               |                                   |        |         |       |      |      |       |         |         |        |                |
| 215       | 2 11/16        | KFC4552-1116◆●□△◆ | 6                             | 3 3/16                            | 6 1/2  | 3 1/16  | 7 3/4 | 3/4  | 1/8  | 1     | 3 15/16 | 10 1/4  | 7/8    | 17.04          |
| 216       | 2 15/16        | KFC4552-1516◆●□△◆ | 6                             | 3 1/2                             | 6 3/4  | 3 1/4   | 7 3/4 | 3/4  | 1/4  | 1     | 4 3/16  | 10 1/4  | 1 1/32 | 18.73          |
|           | 3              | KFC4553◆●□△◆      |                               |                                   |        |         |       |      |      |       |         |         |        |                |
| 218       | 3 3/16         | KFC4553-316◆●□△◆  | 6 3/4                         | 3 31/32                           | 7 3/4  | 3 25/32 | 8 3/4 | 3/4  | 3/16 | 1     | 4 13/16 | 11 1/4  | 1 7/32 | 26.25          |
|           | 3 7/16         | KFC4553-716◆●□△◆  |                               |                                   |        |         |       |      |      |       |         |         |        | 25.36          |
|           | 3 1/2          | KFC4553-12◆●□△◆   |                               |                                   |        |         |       |      |      |       |         |         |        | 25.20          |

## Additional Notes

- Please call 1-866-REXNORD for availability
- Lubrication fitting tap size, 1/8 in PT
- Lip seals standard
- ◆ Available with E1 viton seals for size codes 212 and smaller
- ◆ Available with TFF viton seals for size codes above 212
- Available with free running style seals, Add suffix ● FF, □ HFF or △ MHFF for size codes 212 and smaller
- Add suffix ● FF, □ SFF or △ MKFF for size codes above 212

For the Selection Guide, Load Ratings and Speed Limits, see the Krown Regal Ball Bearing Engineering section

Note: Dimensions subject to change. Certified dimensions of ordered material furnished on request.

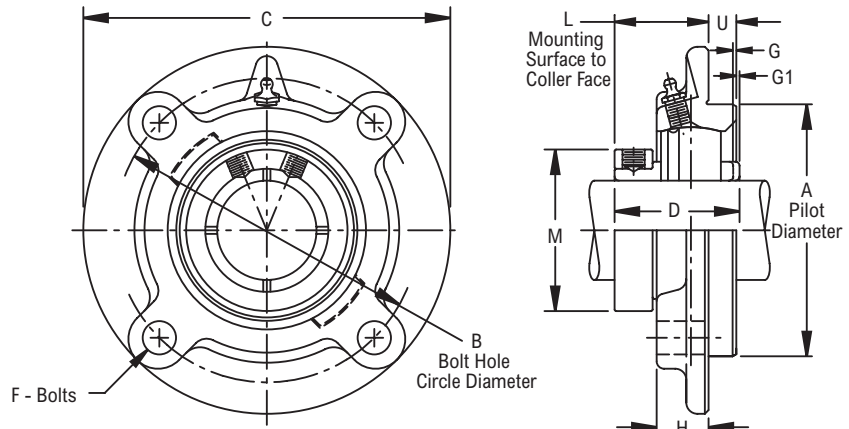
# PFC445 (Scheduled to be discontinued in 2013)



Photo Shows a 4-Bolt Ball Bearing Flanged Cartridge Unit

### Product Features

- Corrosion-resistant powder coating
- Cast iron housing
- Broad range of sealing options
- Wide inner ring for increased shaft stability
- Centrik-Lok shaft locking device
- Alignable & relubricatable
- See Features & Benefits for additional info.



### Bearing Dimensions

| Size Code | Shaft Diameter | Part Number      | A Pilot Diameter | B Bolt Hole Circle Diameter | L Mounting Surface to Collar Face | C     | D       | F    | G & G1 | H   | M       | U     | Approx. Weight |
|-----------|----------------|------------------|------------------|-----------------------------|-----------------------------------|-------|---------|------|--------|-----|---------|-------|----------------|
| 207       | 1 1/4          | PFC4451-14◆●□△   | 3.375            | 4 1/8                       | 1 23/32                           | 5     | 1 11/16 | 7/16 | 1/32   | 7/8 | 2       | 3/8   | 3.51           |
|           | 1 3/8          | PFC4451-38◆●□△   |                  |                             |                                   |       |         |      |        |     | 2 1/4   |       | 3.41           |
|           | 1 7/16         | PFC4451-716◆●□△  |                  |                             |                                   |       |         |      |        |     | 2 1/4   |       | 3.35           |
| 208       | 1 1/2          | PFC4451-12◆●□△   | 3.625            | 4 3/8                       | 1 35/64                           | 5 1/4 | 1 15/16 | 7/16 | 1/64   | 7/8 | 2 1/2   | 7/16  | 4.04           |
|           | 1 5/8          | PFC4451-58◆●□△   |                  |                             |                                   |       |         |      |        |     | 2 1/2   |       | 3.90           |
|           | 40.00          | PFC445-40◆●□△    |                  |                             |                                   |       |         |      |        |     | 92.080  |       | 111.12         |
| 209       | 1 5/8          | PFC4451-58L◆●□△  | 3.625            | 4 3/8                       | 1 17/32                           | 5 1/4 | 1 15/16 | 7/16 | 1/32   | 7/8 | 2 1/2   | 7/16  | 4.26           |
|           | 1 11/16        | PFC4451-1116◆●□△ |                  |                             |                                   |       |         |      |        |     | 2 11/16 |       | 4.16           |
|           | 1 3/4          | PFC4451-34◆●□△   |                  |                             |                                   |       |         |      |        |     | 2 11/16 |       | 4.09           |
| 210       | 1 7/8          | PFC4451-78◆●□△   | 4.250            | 5 1/8                       | 1 39/64                           | 6 1/8 | 2 1/32  | 1/2  | 1/64   | 7/8 | 2 7/8   | 15/32 | 5.53           |
|           | 1 15/16        | PFC4451-1516◆●□△ |                  |                             |                                   |       |         |      |        |     | 2 7/8   |       | 5.44           |
|           | 2              | PFC4452◆●□△      |                  |                             |                                   |       |         |      |        |     | 2 7/8   |       | 5.35           |
| 211       | 2              | PFC4452L◆●□△     | 4.500            | 5 3/8                       | 1 37/64                           | 6 3/8 | 2 3/16  | 1/2  | 3/64   | 7/8 | 2 7/8   | 5/8   | 6.50           |
|           | 2 3/16         | PFC4452-316◆●□△  |                  |                             |                                   |       |         |      |        |     | 3 1/8   |       | 6.06           |
|           | 2 1/4          | PFC4452-14◆●□△   |                  |                             |                                   |       |         |      |        |     | 3 1/8   |       | 5.96           |
| 212       | 2 1/4          | PFC4452-14L◆●□△  | 5.000            | 6                           | 1 29/32                           | 7 1/8 | 2 9/16  | 9/16 | 5/32   | 1   | 3 1/8   | 7/8   | 9.08           |
|           | 2 3/8          | PFC4452-38◆●□△   |                  |                             |                                   |       |         |      |        |     | 3 3/8   |       | 8.84           |
|           | 2 7/16         | PFC4452-716◆●□△  |                  |                             |                                   |       |         |      |        |     | 3 3/8   |       | 8.72           |
| 215       | 2 15/16        | PFC4452-1516◆●□△ | 6.375            | 7 1/2                       | 2                                 | 8 3/4 | 3 1/16  | 5/8  | 1/8    | 1   | 3 15/16 | 1     | 14.78          |

### Additional Notes

- Please call 1-866-REXNORD for availability
- Lubrication fitting tap size, 1/8 in PT
- Pilot Diameter tolerance, +.000 in/-0.002 in (+0.00 mm/-0.05 mm)
- Bore tolerance for mounting, +.002 in/-0.000 in (+0.05 mm/-0.00 mm)
- For size codes 207 & 212 use the G Dimension; for all other size codes use G1
- Lip seals standard
- ◆ Available with E1 viton seals for size codes 212 and smaller
- ◆ Available with TFF viton seals for size codes above 212

- Available with free running style seals, Add suffix ● FF, □ HFF or △ MHFF for size codes 212 and smaller
- Add suffix ● FF, □ SFF or △ MKFF for size codes above 212
- For the Selection Guide, Load Ratings and Speed Limits, see the Krown Regal Ball Bearing Engineering section
- Note: Dimensions subject to change. Certified dimensions of ordered material furnished on request.



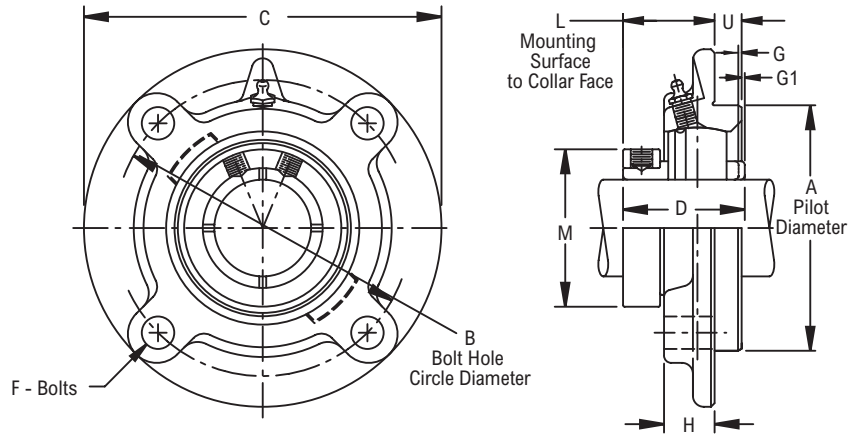
# PFC455 (Scheduled to be discontinued in 2013)



Photo Shows a 4-Bolt Ball Bearing Flanged Cartridge Unit

## Product Features

- Corrosion-resistant powder coating
- Cast iron housing
- Broad range of sealing options
- Wide inner ring for increased shaft stability
- Centrik-Lok shaft locking device
- Alignable & relubricatable
- See Features & Benefits for additional info.



## Bearing Dimensions

| Size Code | Shaft Diameter | Part Number      | A Pilot Diameter | B Bolt Hole Circle Diameter | L Mounting Surface to Collar Face | C      | D       | F    | G & G1 | H     | M       | U     | Approx. Weight |
|-----------|----------------|------------------|------------------|-----------------------------|-----------------------------------|--------|---------|------|--------|-------|---------|-------|----------------|
| 207       | 1 3/16         | PFC4551-316◆●□Δ  | 3.375            | 4 1/8                       | 1 23/32                           | 5      | 1 11/16 | 7/16 | 1/32   | 7/8   | 2       | 3/8   | 3.71           |
| 208       | 1 7/16         | PFC4551-716◆●□Δ  | 3.625            | 4 3/8                       | 1 35/64                           | 5 1/4  | 1 15/16 | 7/16 | 1/64   | 7/8   | 2 1/4   | 7/16  | 3.97           |
| 209       | 1 1/2          | PFC4551-12◆●□Δ   | 3.625            | 4 3/8                       | 1 17/32                           | 5 1/4  | 1 15/16 | 7/16 | 1/32   | 7/8   | 2 1/2   | 7/16  | 4.75           |
| 210       | 1 11/16        | PFC4551-1116◆●□Δ | 4.250            | 5 1/8                       | 1 39/64                           | 6 1/8  | 2 1/32  | 1/2  | 1/64   | 7/8   | 2 3/4   | 15/32 | 5.60           |
|           | 1 3/4          | PFC4551-34◆●□Δ   |                  |                             |                                   |        |         |      |        |       |         |       |                |
| 211       | 1 15/16        | PFC4551-1516◆●□Δ | 4.500            | 5 3/8                       | 1 37/64                           | 6 3/8  | 2 3/16  | 1/2  | 3/64   | 7/8   | 2 7/8   | 5/8   | 6.27           |
|           | 2              | PFC4552◆●□Δ      |                  |                             |                                   |        |         |      |        |       |         |       |                |
| 212       | 2 3/16         | PFC4552-316◆●□Δ  | 5.000            | 5                           | 1 29/32                           | 7 1/8  | 2 9/16  | 9/16 | 5/32   | 1     | 3 1/8   | 1     | 8.99           |
| 214       | 2 7/16         | PFC4552-716◆●□◆  | 5.500            | 6 1/2                       | 1 31/32                           | 7 5/8  | 2 3/4   | 9/16 | 5/32   | 1     | 3 3/4   | 1     | 11.48          |
|           | 2 1/2          | PFC4552-12◆●□◆   |                  |                             |                                   |        |         |      |        |       |         |       |                |
| 215       | 2 11/16        | PFC4552-1116◆●□◆ | 6.375            | 7 1/2                       | 2                                 | 8 3/4  | 3 1/16  | 5/8  | 1/8    | 1     | 3 15/16 | 1     | 15.44          |
| 216       | 2 15/16        | PFC4552-1516◆●□◆ | 6.375            | 7 1/2                       | 2 1/8                             | 8 3/4  | 3 1/4   | 5/8  | 1/16   | 1 1/8 | 4 3/16  | 1     | 15.80          |
|           | 3              | PFC4553◆●□◆      |                  |                             |                                   |        |         |      |        |       |         |       |                |
| 218       | 3 3/16         | PFC4553-316◆●□◆  | 7.375            | 8 5/8                       | 2 29/64                           | 10 1/4 | 3 25/32 | 3/4  | 17/64  | 1 1/8 | 4 13/16 | 1 1/8 | 23.50          |
|           | 3 7/16         | PFC4553-716◆●□◆  |                  |                             |                                   |        |         |      |        |       |         |       |                |
|           | 3 1/2          | PFC4553-12◆●□◆   |                  |                             |                                   |        |         |      |        |       |         |       |                |

## Additional Notes

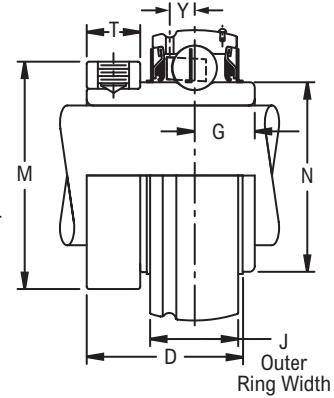
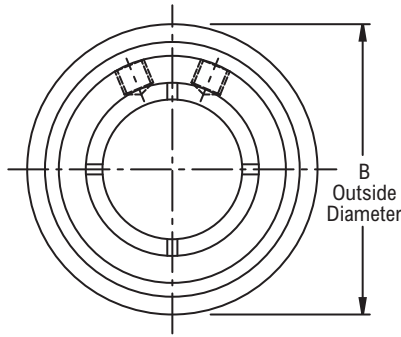
- Please call 1-866-REXNORD for availability
- Lubrication fitting tap size, 1/8 in PT
- Pilot Diameter tolerance, +.000 in/- .002 in (+0.00 mm/-0.05 mm)
- Bore tolerance for mounting, +.002 in/- .000 in (+0.05 mm/-0.00 mm)
- For size codes 207 & 212 use the G Dimension; for all other size codes use G1
- Lip seals standard
- ◆ Available with E1 viton seals for size codes 212 and smaller

- ◆ Available with TFF viton seals for size codes above 212
- Available with free running style seals, Add suffix ● FF, □ HFF or Δ MHFF for size codes 212 and smaller
- Add suffix ● FF, □ SFF or Δ MKFF for size codes above 212
- For the Selection Guide, Load Ratings and Speed Limits, see the Krown Regal Ball Bearing Engineering section
- Note: Dimensions subject to change. Certified dimensions of ordered material furnished on request.

## KMB45 (Scheduled to be discontinued in 2013)



Photo Shows an Unmounted Ball Bearing Unit



### Product Features

- Broad range of sealing options
- Wide inner ring for increased shaft stability
- Centrik-Lok shaft locking device
- Sealed & relubricatable
- Spherical O.D.
- See Features & Benefits for additional info.

### Bearing Dimensions

| Size Code | Shaft Diameter | Part Number         | B O.D.  | J Outer Ring Width | D       | G       | M       | N      | T        |       | Y     | Approx. Weight |         |
|-----------|----------------|---------------------|---------|--------------------|---------|---------|---------|--------|----------|-------|-------|----------------|---------|
|           |                |                     |         |                    |         |         |         |        | Tap Size | Width |       |                |         |
| 203       | 1/2            | KMB45-12-PA♦♦ □Δ    | 1.5748  | 0.5118             | 1 3/32  | 0.4530  | 1 1/8   | 0.941  | 10-32 in | 9/32  | 0.158 | 0.39           |         |
|           | 5/8            | KMB45-58-PA♦♦ □Δ    |         |                    |         |         | 1 13/64 |        |          |       |       | 0.35           |         |
|           | 11/16          | KMB45-1116-PA♦♦ □Δ  |         |                    |         |         |         |        |          |       |       | 0.33           |         |
| 204       | 3/4            | KMB45-34-PA♦♦ □Δ    | 1.8504  | 0.5906             | 1 7/32  | 0.5000  | 1 3/8   | 1.121  | 1/4-28   | 11/32 | 0.176 | 0.43           |         |
|           | 20.00          | KMB45-20-PA♦♦ □Δ    | 47.0000 | 15.0000            | 30.96   | 12.7000 | 34.90   | 28.470 | M6X1     | 8.70  | 4.470 | 0.20           |         |
| 205       | 7/8            | KMB45-78-PA♦♦ □Δ    | 2.0472  | 0.5906             | 1 5/16  | 0.5620  | 1 9/16  | 1.313  | 1/4-28   | 11/32 | 0.176 | 0.55           |         |
|           | 15/16          | KMB45-1516-PA♦♦ □Δ  |         |                    |         |         |         |        |          |       |       | 0.52           |         |
|           | 1              | KMB451-PA♦♦ □Δ      |         |                    |         |         |         |        |          |       |       | 0.49           |         |
|           | 25.00          | KMB45-25-PA♦♦ □Δ    | 52.0000 | 15.0000            | 33.32   | 14.2700 | 39.70   | 33.350 | M6X1     | 8.70  | 4.470 | 0.20           |         |
| 206       | 1 1/8          | KMB451-18-PA♦♦ □Δ   | 2.4409  | 0.7087             | 1 1/2   | 0.6250  | 1 13/16 | 1.587  | 1/4-28   | 7/16  | 0.202 | 0.87           |         |
|           | 1 3/16         | KMB451-316-PA♦♦ □Δ  |         |                    |         |         | 2       |        |          |       |       | 0.84           |         |
|           | 1 1/4          | KMB451-14S-PA♦♦ □Δ  |         |                    |         |         |         |        |          |       |       | 0.82           |         |
| 207       | 1 1/4          | KMB451-14-PA♦♦ □Δ   | 2.8346  | 0.7480             | 1 11/16 | 0.6880  | 2       | 1.847  | 5/16-24  | 7/16  | 0.227 | 1.35           |         |
|           | 1 3/8          | KMB451-38-PA♦♦ □Δ   |         |                    |         |         | 2 1/4   |        |          |       |       | 1.30           |         |
|           | 1 7/16         | KMB451-716-PA♦♦ □Δ  |         |                    |         |         |         |        |          |       |       | 1.24           |         |
| 208       | 1 1/2          | KMB451-12-PA♦♦ □Δ   | 3.1496  | 0.8661             | 1 15/16 | 0.7500  | 2 1/2   | 2.083  | 5/16-24  | 7/16  | 0.263 | 1.68           |         |
|           | 1 5/8          | KMB451-58-PA♦♦ □Δ   |         |                    |         |         |         |        |          |       |       |                | 1.61    |
|           | 40.00          | KMB45-40-PA♦♦ □Δ    |         |                    |         |         |         |        |          |       |       | 80.0000        | 22.0000 |
| 209       | 1 5/8          | KMB451-58L-PA♦♦ □Δ  | 3.3465  | 0.8661             | 1 15/16 | 0.7500  | 2 1/2   | 2.281  | 5/16-24  | 7/16  | 0.256 | 1.93           |         |
|           | 1 11/16        | KMB451-1116-PA♦♦ □Δ |         |                    |         |         | 2 11/16 |        |          |       |       | 1.90           |         |
|           | 1 3/4          | KMB451-34-PA♦♦ □Δ   |         |                    |         |         |         |        |          |       |       | 1.86           |         |
| 210       | 1 7/8          | KMB451-78-PA♦♦ □Δ   | 3.5433  | 0.8661             | 2 1/32  | 0.7500  | 2 7/8   | 2.475  | 3/8-24   | 9/16  | 0.256 | 2.13           |         |
|           | 1 15/16        | KMB451-1516-PA♦♦ □Δ |         |                    |         |         |         |        |          |       |       |                | 2.04    |
|           | 2              | KMB452-PA♦♦ □Δ      |         |                    |         |         |         |        |          |       |       |                | 1.95    |
| 211       | 2              | KMB452L-PA♦♦ □Δ     | 3.9370  | 0.9843             | 2 3/16  | 0.8750  | 2 7/8   | 2.749  | 3/8-24   | 9/16  | 0.298 | 2.58           |         |
|           | 2 3/16         | KMB452-316-PA♦♦ □Δ  |         |                    |         |         | 3 1/8   |        |          |       |       | 2.46           |         |
|           | 2 1/4          | KMB452-14-PA♦♦ □Δ   |         |                    |         |         |         |        |          |       |       | 2.36           |         |
| 212       | 2 1/4          | KMB452-14L-PA♦♦ □Δ  | 4.3307  | 1.0630             | 2 9/16  | 1.0000  | 3 1/8   | 3.012  | 3/8-24   | 9/16  | 0.330 | 3.41           |         |
|           | 2 3/8          | KMB452-38-PA♦♦ □Δ   |         |                    |         |         | 3 3/8   |        |          |       |       | 3.32           |         |
|           | 2 7/16         | KMB452-716-PA♦♦ □Δ  |         |                    |         |         |         |        |          |       |       | 3.29           |         |
| 215       | 2 15/16        | KMB452-1516-PA♦♦ □Δ | 5.1181  | 1.1835             | 3 1/16  | 1.3120  | 3 15/16 | 3.632  | 3/8-24   | 9/16  | 0.266 | 5.44           |         |

### Additional Notes

- Please call 1-866-REXNORD for availability
- Bearing O.D. tolerance for size code 203 through 208, +.0000 in/-.0005 in (+0.000 mm/-0.013 mm) for all other size codes, +.0000 in/-.0006 in (+0.000 mm/-0.015 mm)
- Lip seals standard
- ♦ Available with E1 viton seals for size codes 212 and smaller
  - ♦ Available with TFF viton seals for size codes above 212
- Available with free running style seals, Add suffix ● FF, □ HFF or Δ MHFF for size codes 212 and smaller

Add suffix ● FF, □ SFF or Δ MKFF for size codes above 212

For the Selection Guide, Load Ratings and Speed Limits, see the Krown Regal Ball Bearing Engineering section

Note: Dimensions subject to change. Certified dimensions of ordered material furnished on request.

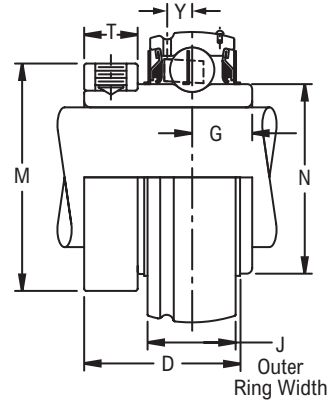
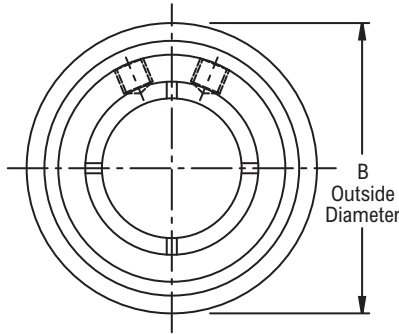
# KMB55 (Scheduled to be discontinued in 2013)



Photo Shows an Unmounted Ball Bearing Unit

## Product Features

- Broad range of sealing options
- Wide inner ring for increased shaft stability
- Centrik-Lok shaft locking device
- Sealed & relubricatable
- Spherical O.D.
- See Features & Benefits for additional info.



## Bearing Dimensions

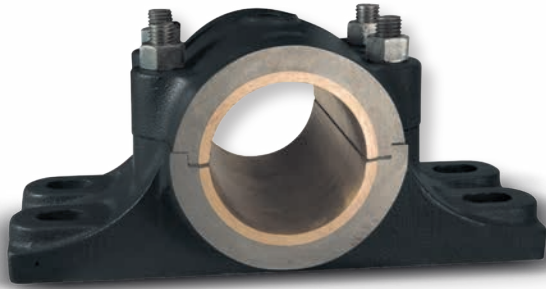
| Size Code | Shaft Diameter | Part Number        | B O.D. | J Outer Ring Width | D       | G      | M       | N     | T        |       | Y     | Approx. Weight |
|-----------|----------------|--------------------|--------|--------------------|---------|--------|---------|-------|----------|-------|-------|----------------|
|           |                |                    |        |                    |         |        |         |       | Tap Size | Width |       |                |
| 206       | 1              | KMB551-PA◆●□△      | 2.4409 | 0.7087             | 1 1/2   | 0.6250 | 1 13/16 | 1.587 | 1/4-28   | 7/16  | 0.202 | 0.92           |
| 207       | 1 3/16         | KMB551-316-PA◆●□△  | 2.8346 | 0.7480             | 1 11/16 | 0.6880 | 2       | 1.847 | 5/16-24  | 7/16  | 0.227 | 1.30           |
| 208       | 1 7/16         | KMB551-716-PA◆●□△  | 3.1496 | 0.8661             | 1 15/16 | 0.7500 | 2 1/4   | 2.083 | 5/16-24  | 7/16  | 0.263 | 1.61           |
| 209       | 1 1/2          | KMB551-12-PA◆●□△   | 3.3465 | 0.8661             | 1 15/16 | 0.7500 | 2 1/2   | 2.281 | 5/16-24  | 7/16  | 0.256 | 1.93           |
| 210       | 1 11/16        | KMB551-1116-PA◆●□△ | 3.5433 | 0.8661             | 2 1/32  | 0.7500 | 2 3/4   | 2.475 | 3/8-24   | 9/16  | 0.256 | 2.25           |
|           | 1 3/4          | KMB551-34-PA◆●□△   |        |                    |         |        |         |       |          |       |       |                |
| 211       | 1 15/16        | KMB551-1516-PA◆●□△ | 3.9370 | 0.9843             | 2 3/16  | 0.8750 | 2 7/8   | 2.749 | 3/8-24   | 9/16  | 0.298 | 2.55           |
|           | 2              | KMB552-PA◆●□△      |        |                    |         |        |         |       |          |       |       |                |
| 212       | 2 3/16         | KMB552-316-PA◆●□△  | 4.3307 | 1.0630             | 2 9/16  | 1.0000 | 3 1/8   | 3.012 | 3/8-24   | 9/16  | 0.330 | 3.44           |
| 214       | 2 7/16         | KMB552-716-PA◆●□△  | 4.9213 | 1.1545             | 2 3/4   | 1.0620 | 3 3/4   | 3.433 | 3/8-24   | 9/16  | 0.266 | 5.34           |
|           | 2 1/2          | KMB552-12-PA◆●□△   |        |                    |         |        |         |       |          |       |       |                |
| 215       | 2 11/16        | KMB552-1116-PA◆●□△ | 5.1181 | 1.1835             | 3 1/16  | 1.3120 | 3 15/16 | 3.632 | 3/8-24   | 9/16  | 0.266 | 5.86           |
| 216       | 2 15/16        | KMB552-1516-PA◆●□△ | 5.5118 | 1.2575             | 3 1/4   | 1.3120 | 4 3/16  | 3.920 | 3/8-24   | 9/16  | 0.282 | 6.50           |
|           | 3              | KMB553-PA◆●□△      |        |                    |         |        |         |       |          |       |       |                |
| 218       | 3 3/16         | KMB553-316-PA◆●□△  | 6.2992 | 1.3945             | 3 25/32 | 1.5620 | 4 13/16 | 4.396 | 3/8-24   | 9/16  | 0.313 | 10.21          |
|           | 3 7/16         | KMB553-716-PA◆●□△  |        |                    |         |        |         |       |          |       |       |                |
|           | 3 1/2          | KMB553-12-PA◆●□△   |        |                    |         |        |         |       |          |       |       |                |

## Additional Notes

- Please call 1-866-REXNORD for availability
- Bearing O.D. tolerance for size code 206 through 208, +.0000 in/- .0005 in (**+0.000 mml/-0.013 mm**); for size code 209 thru 215, +.0000 in/- .0006 in (**+0.000 mml/-0.015 mm**); for all other size codes, +.0000 in/- .0008 in (**+0.000 mml/-0.020 mm**)
- Lip seals standard
- ◆ Available with E1 viton seals for size codes 212 and smaller
  - ◆ Available with TFF viton seals for size codes above 212

- Available with free running style seals, add suffix ● FF, □ HFF or △ MHFF for size codes 212 and smaller
- Add suffix ● FF, □ SFF or △ MKFF for size codes above 212
- For the Selection Guide, Load Ratings and Speed Limits, see the Krown Regal Ball Bearing Engineering section
- Note: Dimensions subject to change. Certified dimensions of ordered material furnished on request.





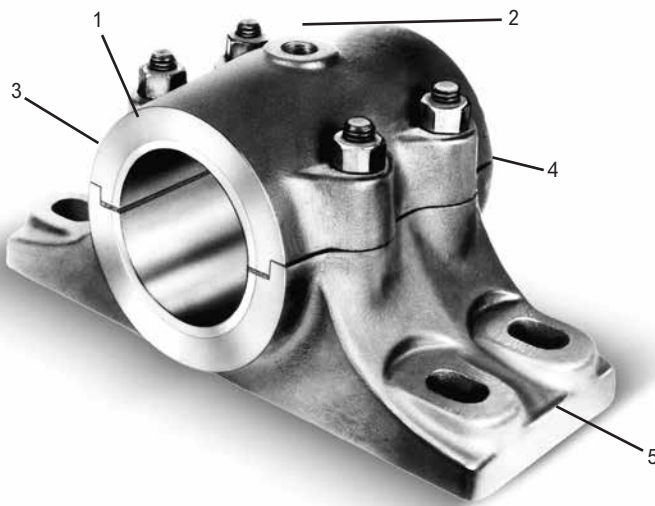
### Industries Served

Waste Water Management  
Industrial Furnace Applications  
Dams  
Highway Infrastructure  
Forest Products  
Air Handling

## Rigid Sleeve Bearing Units and Take-ups

Rigid sleeve bearing units provide compact and reliable usage in applications where continuous operation and uninterrupted service are required. Because the bearing material wears gradually, sudden breakdowns and costly maintenance are minimized. Sleeve bearings can also operate extremely quietly. The standard bearing materials of babbitt, bronze and cast iron will handle a wide variety of applications such as on log decks, sewage treatment equipment, furnaces and ovens, quiet operating fans and blowers, power plant dampers and stokers, oscillating shaft applications and other general conveying and power transmission machinery. Babbitt bearings are used for moderate speeds and loads and ambient temperatures up to 130°F (54°C). Babbitt has the ability to give excellent service with a minimum of maintenance.

Bronze bearings are recommended for heavier loads, impact, and temperatures beyond the limits of babbitt bearings. They can be operated at ambient temperatures up to 300°F (149°C) providing satisfactory lubrication is available. Bronze has excellent all-around bearing characteristics; it has a relatively low coefficient of friction and a remarkable resistance to shock and wear.



### 1. Secure Mounting

Bearing of babbitt or bronze is securely anchored in housing.

### 2. Lubrication

Housing is drilled and tapped for grease cup or lubrication fitting; grooves distribute lubricant over loaded area.

### 3. Finished Ends

Finished ends permit flush mounting of pulley, sprocket, or collar against bearing when required.

### 4. Two-piece Pillow Block

Two-piece pillow block has shims to provide for adjustment and compensate for wear.

### 5. Finished Mounting Surface

Mounting surface is finished to provide firm seating on flat support.

### One-piece Pillow Blocks

One-piece pillow blocks are recommended for general applications where it is unnecessary to remove a bearing cap. They are available with babbitt, bronze or plain bore cast iron bearings.



### Two-piece Pillow Blocks

Two-piece pillow blocks are used whenever a bearing with a removable cap is required. They are available with babbitt or bronze bearings.

For heavy side pressures or angular loading, housings with gibbed joints provide greater strength. Cast steel housings are used where sudden shocks or heavy impact loads are encountered.



### Flanged Units

Flanged units with square flanges have slotted mounting holes to make them interchangeable with most common ball and roller bearing bolting patterns. These units have either babbitt or bronze bearings.



# Nomenclature

| Symbol | Description  | 2K    | 15    | 95    | F     | Z-    |
|--------|--|-------|-------|-------|-------|-------|
| None   | One-piece housing, cast iron                             | ----- | ----- | ----- | ----- | ----- |
| 2—     | Two-piece housing, cast iron                             |       |       |       |       |       |
| 2K     | Two-piece housing, cast steel                            |       |       |       |       |       |
| 10     | Pillow block, one-piece, 2-bolt base                     | ----- | ----- | ----- | ----- | ----- |
| 11     | Pillow block, plain iron (no sleeve)                     |       |       |       |       |       |
| 12     | Pillow block, angle type split joint, 2-bolt base        |       |       |       |       |       |
| 13     | Pillow block, angle type split joint, 4-bolt base        |       |       |       |       |       |
| 14     | Pillow block, horizontal gibbed joint, 4-bolt base       |       |       |       |       |       |
| 15     | Pillow block, angle type split joint, 40° off horizontal |       |       |       |       |       |
| F22    | Flanged unit, square, 4-bolt                             | ----- | ----- | ----- | ----- | ----- |
| DS28   | Take-up, conveyor, heavy rigid frame                     |       |       |       |       |       |
| DSB28  | Take-up, conveyor, heavy hinged frame                    | ----- | ----- | ----- | ----- | ----- |
| 95     | Shaft diameter in 16ths of an inch                       |       |       |       |       |       |
| F      | 4-bolt base (units 1000, 1100 only)                      | ----- | ----- | ----- | ----- | ----- |
| None   | Babbitt bearing (except units 1100)                      |       |       |       |       |       |
| Z      | Bronze bearing   | ----- | ----- | ----- | ----- | ----- |
| XX     | Take-up adjustment, inches                               |       |       |       |       |       |

# Rigid Sleeve Bearing Units Selection Guide

To select a rigid sleeve bearing, determine the applied radial load and the applicable operating conditions. The procedure shown here will aid in selecting an appropriate bearing.

The selection procedures and rating formulas used here are in agreement with industry standards for sleeve bearings established by the Mechanical Power Transmission Association. The bearing ratings apply when certain installation and operating conditions are met and when any other adverse ambient conditions such as high or low temperatures, extreme dirt or moisture, chemical contamination, shock or vibration loading direct or induced, oscillating shafts, intermittent operation and related factors are carefully considered.

The ratings used apply when the following conditions are met:

1. Align bearings with the shaft to provide uniform load distribution.
2. Normal running loads should not exceed the ratings shown in the tables. Starting and occasional peak loads should not exceed these ratings by more than 100%.
3. The direction of the load should not be within 30° (.53 radians) of either side of the grease groove and must further meet any load direction limitations imposed by Table 1.
4. The shaft finish through the bearing bore should be at least as smooth as that of normal commercial cold finished steel shafting (about 32 micro-inches or .82µm). There should also be no machined or ground spiral lead on the shaft journal. Shafting should be within the diameter tolerances listed on the next page.
5. Ambient temperatures should not exceed 130°F (54°C) for babbitt and 300°F (149°C) for bronze bearings. This temperature limit applies to shafts extending from ovens, high temperature fans, etc.
6. Sturdy, vibration-free supporting structures must be provided, along with adequate grease lubrication.

## Steps for Selection

### Step 1

From Table 1, select the bearing material and housing series and material suitable for the radial load direction.

### Step 2

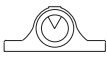
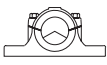
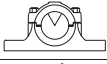
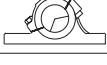
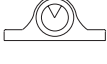

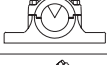
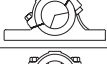

Refer to the radial load rating tables in the Load Ratings and Speed Limits section to determine the shaft diameter necessary to obtain the required radial rating at the given speed.

If the conditions described above cannot be met, the load should be increased by a service factor prior to selecting the bearing sizes from the tables shown in the Load Ratings and Speed Limits section. The service factor may be as high as 2.0 for conditions to the left of the “stair-step” line, or as high as 3.0 for conditions to the right of the line. Consult Rexnord Bearing Division.

### Step 3

To position a shaft axially or where light thrust loads are present provide thick bronze washers backed by a shaft collar or a machined shaft shoulder against the end of the bearing. The bearing ends are already machined.

Table 1 – Bearing material and unit type selection

| Material             |   | Recommended Loading Range, Degrees, Radius For Pillow Block Or Flanged Unit*        | Available Shaft Sizes, inches   | Rigid unit series   |                 |   |                   |             |  |
|----------------------|---|---|---|---|-----------------|---|-------------------|-------------|--|
| Bearing              | Housing   |   |   | Pillow Block  |                 | Flanged Unit  |                   |             |  |
|                      |   |   |   | 2-bolt  | 4-bolt          | Square  |                   |             |  |
| Cast iron one-piece  |  | 300°<br>5.2 rad   | 1/2 - 2 15/16   | 1000  |                 |   |                   |             |  |
|                      |   |   | 3/4 - 3 15/16   |   |                 | F2200   |                   |             |  |
|                      |   |   | 3 7/16 - 3 15/16  |   | 1000F           |   |                   |             |  |
|                      | Babbitt   |  | 120°<br>2.1 rad   | 7/8 - 3 15/16   | 2-1200          |   |                   |             |  |
|                      |   |   |   | 3 7/16 - 4 15/16  |                 | 2-1300  |                   |             |  |
|                      |   |   |   | 1 15/16 - 8   |                 | 2-1400  |                   |             |  |
| Cast iron two-piece  |  | 300°<br>5.2 rad   | 1 15/16 - 8   |   | 2-1400          |   |                   |             |  |
|                      |   |   |  | 120°<br>2.1 rad   | 1 15/16 - 9     |   | 2-1500            |             |  |
|                      |   |   |   |   |                 |   |                   |             |  |
| Cast iron one-piece  |  | 300°<br>5.2 rad   | 1/2 - 2 15/16   | 1000Z   |                 |   |                   |             |  |
|                      |   |   | 3/4 - 3 15/16   |   |                 | F2200Z  |                   |             |  |
|                      |   |   | 3 7/16 - 3 15/16  |   | 1000FZ          |   |                   |             |  |
|                      | Bronze  |  | 120°<br>2.1 rad   | 7/8 - 3 15/16   | 2-1200Z         |   |                   |             |  |
|                      |   |   |   |  | 300°<br>5.2 rad | 1 15/16 - 8   |                   | 2-1400Z     |  |
|                      |   |   |   |   |                 |  | □ 120°<br>2.1 rad | 1 15/16 - 8 |  |
| Cast steel two-piece |  | 300°<br>5.2 rad   | 1 15/16 - 12  |   | 2K1400Z         |   |                   |             |  |

\* Shaded portion of drawings represents recommended loading range with the grease groove horizontal and opposite the loaded area. For other positioning, consult Rexnord Bearing Division.

□ 300°(5.2 rad.) for housings with gibbed joint construction.



## Additional Information

### Sleeve Bearing Materials:

Plain bearings made of babbitt are universally accepted as providing reasonable capacity and dependable service, often under adverse conditions. Babbitt is a relatively soft bearing material and for this reason minimizes danger of scoring or damage to shafts or rotors. It can often be repaired quickly on the spot by rescraping, pouring of new metal, etc. Bearing operating temperature should not exceed 130°F (54°C) although occasional peaks to 200°F (93°C) may be tolerated. Babbitt bearings are usually restricted to applications involving light to moderate loads and mild shock.

Bronze bearings are suitable for heavier loads than babbitt (75% to 200% higher), depending upon specific conditions of load and speed. Bronze with stands higher shock loads and permits some what higher speed operation. It is usually restricted to 300°F (150°C) ambient temperature, although normal multi-purpose greases are limited to 200°-250°F (93°-121°C) operating temperature. Bronze is a harder material than babbitt and has a greater tendency to score or damage shafts in the event of malfunction such as lack of relubrication. Field repair of bronze bearings generally requires removing shims and scraping or replacement of bushings.

Cast iron bearings (series 1100) are low in cost and suitable for many slow moving shafts and oscillating or reciprocating arms supporting relatively light loads. The lubricating characteristics of cast iron are attributed to the free graphite flakes present in the material. With the use of cast iron bearings, higher shaft clearance is usually utilized. Thus any large wear particles or debris will not join or seize the bearing. This material has been used to temperatures as high as 1000°F (538°C) under light loads and slow speed intermittent operations, where ordinary lubricants are ineffective.

### Additional Features:

By the very nature of their design, all rigid sleeve bearing units are expansion type, in that the shaft journal is free to slide axially through the bore of the bearing. To fix a unit, a combination of shaft shoulders and/or thrust collars with bronze washers can be utilized. Rigid sleeve bearing units have cored mounting bolt holes suitable for the inch or metric bolts listed.

Bearings can be replaced in units with bronze sleeves. Care should be taken when replacing bronze sleeves, split or solid, to firmly anchor the sleeve to the housing.

### Operation:

Rigid sleeve bearing units are not prelubricated. The service instructions packed with shipments provide guide lines for initial lubrication and relubrication intervals. As lack of lubrication results in bearing and shaft wear, care must be taken to assure an adequate supply of correct lubricant, especially during initial startup and until satisfactory relubrication intervals are determined. Very careful shaft alignment is necessary during installation. Shaft journals must turn freely without binding in the bearing or excessive heat and seizure can result. Any factor which may disrupt or remove the lubricant film should be eliminated as well. Sharp edges on the shaft or the bearing surface can act as scrapers to destroy lubricant films. Do not extend shaft keyways into bearing bores. When rigid sleeve bearings must carry light to medium thrust loads, thrust washers of bronze should be placed against the already machined face of the bearing and backed by substantial thrust collars, shaft shoulders, machined gear, sprocket or sheave faces, etc.

### Take-ups:

Rigid sleeve bearing pillow blocks can be mounted on the universal take-up frame LC, and LHD universal take-up frame. Alignment of rigid sleeve bearing take-ups is difficult and must be carefully accomplished. Alignment must also be maintained during any further adjustment of the take-up after operation. Bolt take-up frames firmly to good supporting structure to prevent frame overload and distortion.

### Shaft Tolerances:

Shaft diameters for rigid sleeve bearing units are usually held to the following regular commercial tolerances:

| Shaft Diameters     | Recommended Tolerance |
|---------------------|-----------------------|
| through 2"          | Nominal to $-.003$ "  |
| 2 1/16" through 4"  | Nominal to $-.004$ "  |
| 4 1/16" through 6"  | Nominal to $-.005$ "  |
| 6 1/16" through 13" | Nominal to $-.006$ "  |

### Warning:

The reliability built in all Link-Belt bearings can be realized in service only when bearings are correctly selected, properly installed, protected and maintained.

The correct selection of rigid sleeve bearing mounted units requires that the magnitude and nature of all loads, speeds, alignment, mounting, operating requirements and maintenance be adequately considered. The selection of materials for and design of housings, shafting, fasteners, and accessories as well as provisions for installation and maintenance must follow good engineering principles.

Housings must be selected and installed with regard to the degree and direction of the forces that will occur. Housings should not be used under tension loads except with adequate safety factors. For this reason pillow blocks are best suited to withstand radial loads passing through the base. When heavy loads or shock loads are possible, it is most important to mount a unit so that the line of force passes directly into the base, or so that the unit is directly and substantially supported other than through its mounting bolts.

Where the line of force falls outside the base, serious housing and fastener deflection or failure may occur.

Take-ups are best located where loads are moderate and no shock loads are present. As many mounting arrangements are possible with take-ups, proper safety factors must always be considered on all items of the system, including shafts, housings, fasteners, and adjusting screws. Rexnord Bearing Division, should be consulted where unusual loading conditions exist.

## Load Ratings – Babbitt Rigid Sleeve Bearing Units

Radial Load Ratings for 10 to 300 RPM (pounds/newtons) \* ■

| Shaft Diameter, inches | Shaft Speed, RPM |         |       |         |       |        |      |        |      |        |      |       |      |       |
|------------------------|------------------|---------|-------|---------|-------|--------|------|--------|------|--------|------|-------|------|-------|
|                        | 10               |         | 50    |         | 100   |        | 150  |        | 200  |        | 250  |       | 300  |       |
| 1/2                    | 100              | 445     | 100   | 445     | 100   | 445    | 95   | 423    | 95   | 423    | 95   | 423   | 95   | 423   |
| 5/8                    | 150              | 667     | 150   | 667     | 145   | 645    | 145  | 645    | 140  | 623    | 140  | 673   | 135  | 600   |
| 3/4                    | 180              | 801     | 175   | 778     | 175   | 778    | 170  | 756    | 170  | 756    | 165  | 734   | 160  | 712   |
| 7/8                    | 260              | 1 157   | 255   | 1 134   | 250   | 1 112  | 245  | 1 090  | 240  | 1 068  | 235  | 1 045 | 230  | 1 023 |
| 15/16                  | 280              | 1 246   | 275   | 1 223   | 265   | 1 179  | 260  | 1 157  | 255  | 1 134  | 250  | 1 112 | 245  | 1 090 |
| 1                      | 295              | 1 312   | 290   | 1 290   | 285   | 1 268  | 280  | 1 246  | 270  | 1 201  | 265  | 1 179 | 260  | 1 157 |
| 1 1/8                  | 415              | 1 846   | 410   | 1 824   | 400   | 1 779  | 390  | 1 735  | 380  | 1 690  | 370  | 1 646 | 355  | 1 579 |
| 1 3/16, 1 1/4          | 440              | 1 957   | 430   | 1 913   | 420   | 1 868  | 410  | 1 824  | 395  | 1 757  | 385  | 1 713 | 375  | 1 668 |
| 1 5/16, 1 3/8,         | 585              | 2 602   | 570   | 2 535   | 555   | 2 469  | 535  | 2 380  | 520  | 2 313  | 505  | 2 246 | 485  | 2 157 |
| 1 7/16, 1 1/2          | 640              | 2 847   | 625   | 2 780   | 605   | 2 691  | 585  | 2 602  | 565  | 2 513  | 545  | 2 424 | 525  | 2 335 |
| 1 11/16, 1 3/4         | 875              | 3 892   | 850   | 3 781   | 820   | 3 648  | 785  | 3 492  | 755  | 3 358  | 720  | 3 203 | 690  | 3 069 |
| 1 15/16, 2             | 1150             | 5 120   | 1110  | 4 940   | 1060  | 4 720  | 1010 | 4 490  | 965  | 4 292  | 915  | 4 070 | 865  | 3 848 |
| 2 3/16, 2 1/4          | 1460             | 6 490   | 1400  | 6 230   | 1330  | 5 920  | 1260 | 5 600  | 1190 | 5 290  | 1120 | 4 980 | 1050 | 4 670 |
| 2 7/16, 2 1/2          | 1800             | 8 010   | 1730  | 7 690   | 1630  | 7 250  | 1530 | 6 810  | 1430 | 6 360  | 1340 | 5 960 | 1240 | 5 520 |
| 2 11/16, 2 3/4         | 2190             | 9 740   | 2080  | 9 250   | 1950  | 8 670  | 1820 | 8 100  | 1690 | 7 520  | 1560 | 6 940 | 1150 | 5 120 |
| 2 15/16, 3             | 2600             | 11 570  | 2470  | 10 990  | 2300  | 10 230 | 2130 | 9 470  | 1960 | 8 720  | 1790 | 7 960 | 675  | 3 002 |
| 3 7/16, 3 1/2          | 3550             | 15 790  | 3330  | 14 810  | 3060  | 13 610 | 2790 | 12 410 | 2520 | 11 210 | 1200 | 5 340 |      |       |
| 3 15/16, 4             | 4640             | 20 640  | 4310  | 19 170  | 3910  | 17 390 | 3500 | 15 570 | 2760 | 12 280 |      |       |      |       |
| 4 7/8, 4 1/2           | 5870             | 26 110  | 5410  | 24 060  | 4830  | 21 480 | 4250 | 18 900 | 1410 | 6 270  |      |       |      |       |
| 4 15/16, 5             | 7240             | 32 210  | 6600  | 29 360  | 5810  | 25 840 | 5010 | 22 290 |      |        |      |       |      |       |
| 5 7/16, 5 1/2          | 8750             | 38 920  | 7900  | 35 140  | 6840  | 30 430 | 4360 | 19 390 |      |        |      |       |      |       |
| 5 15/16, 6             | 10410            | 46 310  | 9300  | 41 370  | 7910  | 35 190 | 2390 | 10 630 |      |        |      |       |      |       |
| 6 7/16, 6 1/2          | 12200            | 54 270  | 10790 | 48 000  | 9020  | 40 120 |      |        |      |        |      |       |      |       |
| 6 15/16, 7             | 14120            | 62 810  | 12360 | 54 980  | 10150 | 45 150 |      |        |      |        |      |       |      |       |
| 7 7/16, 7 1/2          | 17270            | 76 820  | 14950 | 66 500  | 12050 | 53 600 |      |        |      |        |      |       |      |       |
| 7 15/16, 8             | 18390            | 81 800  | 15750 | 70 060  | 10710 | 47 640 |      |        |      |        |      |       |      |       |
| 9                      | 20750            | 92 300  | 17360 | 77 220  | 4140  | 18 420 |      |        |      |        |      |       |      |       |
| 10                     | 22950            | 102 090 | 18760 | 83 450  |       |        |      |        |      |        |      |       |      |       |
| 12                     | 30700            | 136 560 | 23910 | 106 360 |       |        |      |        |      |        |      |       |      |       |

For speeds lower than 10 RPM  
consult Rexnord Bearing Division.

Radial Load Rating for 350 to 1000 RPM (pounds/newtons) \*

| Shaft Diameter, inches | Shaft Speed, RPM |      |     |      |     |      |     |      |     |      |     |      |     |     |     |     |      |     |
|------------------------|------------------|------|-----|------|-----|------|-----|------|-----|------|-----|------|-----|-----|-----|-----|------|-----|
|                        | 350              |      | 400 |      | 450 |      | 500 |      | 600 |      | 700 |      | 800 |     | 900 |     | 1000 |     |
| 1/2                    | 95               | 423  | 90  | 400  | 90  | 400  | 90  | 400  | 85  | 378  | 85  | 378  | 85  | 378 | 80  | 356 | 80   | 356 |
| 5/8                    | 135              | 600  | 135 | 600  | 130 | 587  | 130 | 587  | 125 | 556  | 120 | 534  | 115 | 512 | 110 | 489 | 110  | 489 |
| 3/4                    | 160              | 712  | 155 | 689  | 155 | 689  | 150 | 667  | 145 | 645  | 140 | 623  | 130 | 578 | 125 | 556 | 120  | 534 |
| 7/8                    | 225              | 1001 | 220 | 979  | 215 | 956  | 210 | 934  | 200 | 890  | 190 | 845  | 180 | 801 | 150 | 667 |      |     |
| 15/16                  | 240              | 1068 | 235 | 1045 | 225 | 1001 | 220 | 979  | 210 | 934  | 200 | 890  | 185 | 823 | 105 | 467 |      |     |
| 1                      | 250              | 1112 | 245 | 1090 | 240 | 1068 | 230 | 1023 | 220 | 979  | 205 | 912  |     |     |     |     |      |     |
| 1 1/8                  | 345              | 1535 | 335 | 1490 | 325 | 1446 | 315 | 1401 | 295 | 1312 | 245 | 1090 |     |     |     |     |      |     |
| 1 3/16, 1 1/4          | 360              | 1601 | 350 | 1557 | 340 | 1512 | 325 | 1446 | 305 | 1357 | 190 | 845  |     |     |     |     |      |     |
| 1 5/16, 1 3/8,         | 470              | 2091 | 455 | 2024 | 435 | 1935 | 420 | 1868 | 345 | 1535 |     |      |     |     |     |     |      |     |
| 1 7/16, 1 1/2          | 500              | 2224 | 480 | 2135 | 460 | 2046 | 440 | 1957 | 205 | 912  |     |      |     |     |     |     |      |     |
| 1 11/16, 1 3/4         | 655              | 2914 | 625 | 2780 | 590 | 2624 | 340 | 1512 |     |      |     |      |     |     |     |     |      |     |
| 1 15/16, 2             | 815              | 3625 | 730 | 3247 | 335 | 1490 |     |      |     |      |     |      |     |     |     |     |      |     |
| 2 3/16, 2 1/4          | 975              | 4337 | 410 | 1824 |     |      |     |      |     |      |     |      |     |     |     |     |      |     |
| 2 7/16, 2 1/2          | 645              | 2869 |     |      |     |      |     |      |     |      |     |      |     |     |     |     |      |     |

■ Load ratings are based on industry standards established by the Mechanical Power Transmission Association.

\* For plain bore Cast Iron Sleeve Bearing Units use radial load ratings at speeds to the left of the shaded area.

## Load Ratings – Bronze Rigid Sleeve Bearing Units

Radial Load Rating for 10 to 300 RPM (pounds/newtons) ■

| Shaft Diameter, inches | Shaft Speed, RPM |                |       |                |       |                |       |               |      |               |      |               |      |               |
|------------------------|------------------|----------------|-------|----------------|-------|----------------|-------|---------------|------|---------------|------|---------------|------|---------------|
|                        | 10               |                | 50    |                | 100   |                | 150   |               | 200  |               | 250  |               | 300  |               |
| 1/2                    | 200              | <b>890</b>     | 200   | <b>890</b>     | 200   | <b>890</b>     | 195   | <b>867</b>    | 195  | <b>867</b>    | 195  | <b>867</b>    | 195  | <b>867</b>    |
| 5/8                    | 250              | <b>1 112</b>   | 250   | <b>1 112</b>   | 245   | <b>1 090</b>   | 245   | <b>1 090</b>  | 240  | <b>1 090</b>  | 240  | <b>1 068</b>  | 240  | <b>1 068</b>  |
| 3/4                    | 300              | <b>1 334</b>   | 300   | <b>1 334</b>   | 295   | <b>1 312</b>   | 295   | <b>1 312</b>  | 290  | <b>1 290</b>  | 285  | <b>1 268</b>  | 285  | <b>1 268</b>  |
| 7/8                    | 435              | <b>1 935</b>   | 430   | <b>1 913</b>   | 425   | <b>1 890</b>   | 420   | <b>1 868</b>  | 415  | <b>1 846</b>  | 410  | <b>1 824</b>  | 405  | <b>1 802</b>  |
| 15/16                  | 465              | <b>2 068</b>   | 460   | <b>2 046</b>   | 455   | <b>2 024</b>   | 450   | <b>2 002</b>  | 445  | <b>1 979</b>  | 435  | <b>1 935</b>  | 430  | <b>1 913</b>  |
| 1                      | 495              | <b>2 202</b>   | 490   | <b>2 180</b>   | 485   | <b>2 157</b>   | 480   | <b>2 135</b>  | 470  | <b>2 091</b>  | 465  | <b>2 068</b>  | 460  | <b>2 046</b>  |
| 1 1/8                  | 700              | <b>3 114</b>   | 690   | <b>3 069</b>   | 680   | <b>3 025</b>   | 670   | <b>2 980</b>  | 660  | <b>2 936</b>  | 650  | <b>2 891</b>  | 640  | <b>2 847</b>  |
| 1 3/16, 1 1/4          | 735              | <b>3 269</b>   | 730   | <b>3 247</b>   | 715   | <b>3 180</b>   | 705   | <b>3 136</b>  | 695  | <b>3 092</b>  | 680  | <b>3 025</b>  | 670  | <b>2 980</b>  |
| 1 5/16, 1 3/8,         | 980              | <b>4 359</b>   | 965   | <b>4 293</b>   | 950   | <b>4 226</b>   | 930   | <b>4 137</b>  | 915  | <b>4 070</b>  | 895  | <b>3 981</b>  | 880  | <b>3 914</b>  |
| 1 7/16, 1 1/2          | 1070             | <b>4 760</b>   | 1050  | <b>4 670</b>   | 1030  | <b>4 580</b>   | 1010  | <b>4 490</b>  | 995  | <b>4 426</b>  | 975  | <b>4 337</b>  | 955  | <b>4 248</b>  |
| 1 11/16, 1 3/4         | 1470             | <b>6 540</b>   | 1440  | <b>6 410</b>   | 1410  | <b>6 270</b>   | 1370  | <b>6 090</b>  | 1340 | <b>5 960</b>  | 1310 | <b>5 830</b>  | 1280 | <b>5 690</b>  |
| 1 15/16, 2             | 1920             | <b>8 540</b>   | 1880  | <b>8 360</b>   | 1830  | <b>8 140</b>   | 1790  | <b>7 960</b>  | 1740 | <b>7 740</b>  | 1690 | <b>7 520</b>  | 1640 | <b>7 300</b>  |
| 2 3/16, 2 1/4          | 2440             | <b>10 850</b>  | 2390  | <b>10 630</b>  | 2320  | <b>10 320</b>  | 2240  | <b>9 960</b>  | 2170 | <b>9 650</b>  | 2100 | <b>9 340</b>  | 2030 | <b>9 030</b>  |
| 2 7/16, 2 1/2          | 3020             | <b>13 430</b>  | 2940  | <b>13 080</b>  | 2850  | <b>12 680</b>  | 2750  | <b>12 230</b> | 2650 | <b>11 790</b> | 2560 | <b>11 390</b> | 2460 | <b>10 940</b> |
| 2 11/16, 2 3/4         | 3660             | <b>16 280</b>  | 3560  | <b>15 840</b>  | 3430  | <b>15 260</b>  | 3300  | <b>14 680</b> | 3170 | <b>14 100</b> | 3040 | <b>13 520</b> | 2620 | <b>11 650</b> |
| 2 15/16, 3             | 4370             | <b>19 440</b>  | 4230  | <b>18 820</b>  | 4060  | <b>18 060</b>  | 3890  | <b>17 300</b> | 3720 | <b>16 550</b> | 3550 | <b>15 790</b> | 2440 | <b>10 850</b> |
| 3 7/16, 3 1/2          | 5960             | <b>26 510</b>  | 5740  | <b>25 530</b>  | 5470  | <b>24 330</b>  | 5200  | <b>23 130</b> | 4930 | <b>21 930</b> | 3610 | <b>16 060</b> | 1440 | <b>6 410</b>  |
| 3 15/16, 4             | 7790             | <b>34 650</b>  | 7460  | <b>33 180</b>  | 7060  | <b>31 400</b>  | 6650  | <b>29 580</b> | 5910 | <b>26 290</b> |      |               |      |               |
| 4 7/8, 4 1/2           | 9860             | <b>43 860</b>  | 9400  | <b>41 810</b>  | 8820  | <b>39 230</b>  | 8240  | <b>36 650</b> | 5400 | <b>24 020</b> |      |               |      |               |
| 4 15/16, 5             | 12180            | <b>54 180</b>  | 11540 | <b>51 330</b>  | 10740 | <b>47 770</b>  | 9950  | <b>44 260</b> | 4090 | <b>18 190</b> |      |               |      |               |
| 5 7/16, 5 1/2          | 14740            | <b>65 570</b>  | 13880 | <b>61 740</b>  | 12820 | <b>57 030</b>  | 10340 | <b>45 990</b> | 1820 | <b>8 100</b>  |      |               |      |               |
| 5 15/16, 6             | 17530            | <b>77 980</b>  | 16420 | <b>73 040</b>  | 15040 | <b>66 900</b>  | 9520  | <b>42 350</b> |      |               |      |               |      |               |
| 6 7/16, 6 1/2          | 20560            | <b>91 460</b>  | 19150 | <b>85 180</b>  | 17390 | <b>77 350</b>  | 7900  | <b>35 140</b> |      |               |      |               |      |               |
| 6 15/16, 7             | 23840            | <b>106 050</b> | 22070 | <b>98 170</b>  | 19870 | <b>88 390</b>  | 5350  | <b>23 800</b> |      |               |      |               |      |               |
| 7 7/16, 7 1/2          | 29170            | <b>129 750</b> | 26850 | <b>119 430</b> | 23950 | <b>106 530</b> | 1880  | <b>8 360</b>  |      |               |      |               |      |               |
| 7 15/16, 8             | 31090            | <b>138 300</b> | 28450 | <b>126 550</b> | 23410 | <b>104 130</b> |       |               |      |               |      |               |      |               |
| 9                      | 35150            | <b>156 360</b> | 31760 | <b>141 280</b> | 18540 | <b>82 470</b>  |       |               |      |               |      |               |      |               |
| 10                     | 38950            | <b>172 260</b> | 34760 | <b>154 620</b> | 12220 | <b>54 360</b>  |       |               |      |               |      |               |      |               |
| 12                     | 52300            | <b>232 640</b> | 45520 | <b>202 480</b> |       |                |       |               |      |               |      |               |      |               |

For speeds lower than 10 RPM consult Rexnord Bearing Division.

Radial Load Rating for 350 to 1000 RPM (pounds/newtons)

| Shaft Diameter, inches | Shaft Speed, RPM |             |      |             |      |             |     |             |     |             |     |             |     |             |     |             |      |             |
|------------------------|------------------|-------------|------|-------------|------|-------------|-----|-------------|-----|-------------|-----|-------------|-----|-------------|-----|-------------|------|-------------|
|                        | 350              |             | 400  |             | 450  |             | 500 |             | 600 |             | 700 |             | 800 |             | 900 |             | 1000 |             |
| 1/2                    | 195              | <b>867</b>  | 190  | <b>845</b>  | 190  | <b>845</b>  | 190 | <b>845</b>  | 185 | <b>823</b>  | 185 | <b>823</b>  | 185 | <b>823</b>  | 180 | <b>800</b>  | 180  | <b>800</b>  |
| 5/8                    | 235              | <b>1045</b> | 235  | <b>1045</b> | 235  | <b>1045</b> | 230 | <b>1023</b> | 225 | <b>1001</b> | 220 | <b>979</b>  | 220 | <b>979</b>  | 215 | <b>956</b>  | 210  | <b>934</b>  |
| 3/4                    | 280              | <b>1246</b> | 280  | <b>1246</b> | 275  | <b>1223</b> | 270 | <b>1201</b> | 265 | <b>1179</b> | 260 | <b>1157</b> | 255 | <b>1134</b> | 250 | <b>1112</b> | 240  | <b>1068</b> |
| 7/8                    | 400              | <b>1779</b> | 395  | <b>1757</b> | 390  | <b>1735</b> | 385 | <b>1713</b> | 375 | <b>1668</b> | 365 | <b>1624</b> | 355 | <b>1579</b> | 325 | <b>1446</b> | 245  | <b>1090</b> |
| 15/16                  | 425              | <b>1890</b> | 420  | <b>1868</b> | 415  | <b>1846</b> | 410 | <b>1824</b> | 395 | <b>1757</b> | 385 | <b>1713</b> | 375 | <b>1668</b> | 295 | <b>1312</b> | 200  | <b>890</b>  |
| 1                      | 450              | <b>2002</b> | 445  | <b>1979</b> | 440  | <b>1957</b> | 430 | <b>1913</b> | 420 | <b>1868</b> | 405 | <b>1802</b> | 360 | <b>1601</b> | 255 | <b>1134</b> | 150  | <b>667</b>  |
| 1 1/8                  | 630              | <b>2802</b> | 620  | <b>2758</b> | 605  | <b>2691</b> | 595 | <b>2647</b> | 575 | <b>2558</b> | 525 | <b>2335</b> | 360 | <b>1601</b> | 195 | <b>867</b>  |      |             |
| 1 3/16, 1 1/4          | 660              | <b>2936</b> | 645  | <b>2869</b> | 635  | <b>2825</b> | 625 | <b>2780</b> | 600 | <b>2669</b> | 485 | <b>2157</b> | 300 | <b>1334</b> | 115 | <b>512</b>  |      |             |
| 1 5/16, 1 3/8,         | 865              | <b>3848</b> | 845  | <b>3759</b> | 830  | <b>3692</b> | 815 | <b>3625</b> | 735 | <b>3269</b> | 465 | <b>2068</b> | 195 | <b>867</b>  |     |             |      |             |
| 1 7/16, 1 1/2          | 935              | <b>4159</b> | 915  | <b>4070</b> | 895  | <b>3981</b> | 875 | <b>3892</b> | 635 | <b>2825</b> | 315 | <b>1401</b> |     |             |     |             |      |             |
| 1 11/16, 1 3/4         | 1240             | <b>5520</b> | 1210 | <b>5380</b> | 1180 | <b>5250</b> | 930 | <b>4137</b> | 410 | <b>1824</b> |     |             |     |             |     |             |      |             |
| 1 15/16, 2             | 1590             | <b>7070</b> | 1500 | <b>6670</b> | 1110 | <b>4940</b> | 715 | <b>3180</b> |     |             |     |             |     |             |     |             |      |             |
| 2 3/16, 2 1/4          | 1960             | <b>8720</b> | 1390 | <b>6180</b> | 830  | <b>3692</b> |     |             |     |             |     |             |     |             |     |             |      |             |
| 2 7/16, 2 1/2          | 1860             | <b>8270</b> | 1090 | <b>4850</b> |      |             |     |             |     |             |     |             |     |             |     |             |      |             |
| 2 11/16, 2 3/4         | 1580             | <b>7030</b> | 545  | <b>2424</b> |      |             |     |             |     |             |     |             |     |             |     |             |      |             |

■ Load ratings are based on industry standards established by the Mechanical Power Transmission Association.



# 1000, 1000Z

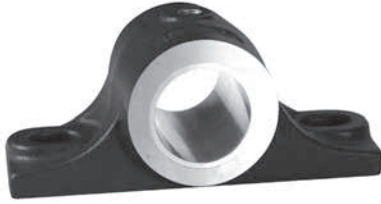
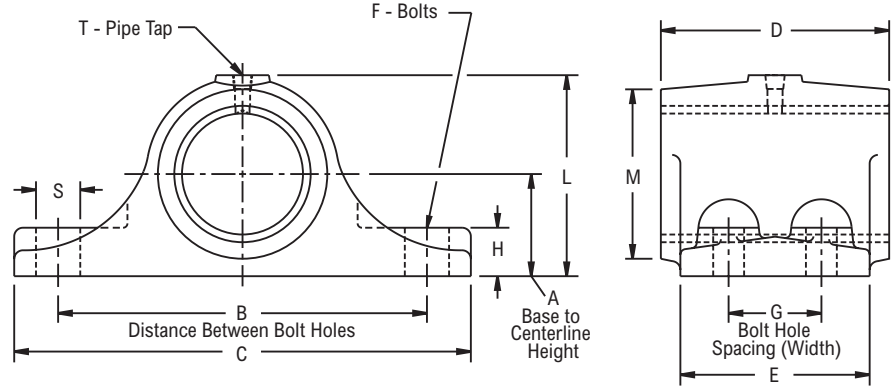


Photo Shows a 2-Bolt Rigid Sleeve Bearing Pillow Block Unit with Bronze Bushing

## Product Features

- Corrosion-resistant powder coating
- Cast iron one piece housing
- Babbitt or Bronze sleeve
- 2 or 4-bolt base
- Relubricatable
- See Features & Benefits for additional info.



## Bearing Dimensions

| Shaft Diameter | Babbitt        | Bronze         | A<br>Base to<br>Centerline<br>Height | B<br>Distance<br>Between<br>Bolt Holes | G<br>Bolt Hole<br>Spacing<br>(Width) | C      | D     | E     | F    | H     | L       | M      | S     | T   | Approx.<br>Weight |
|----------------|----------------|----------------|--------------------------------------|--|--------------------------------------|--------|-------|-------|------|-------|---------|--------|-------|-----|-------------------|
|                | Part<br>Number | Part<br>Number |                                      |  |                                      |        |       |       |      |       |         |        |       |     |                   |
| <b>2-Bolt</b>  |                |                |                                      |  |                                      |        |       |       |      |       |         |        |       |     |                   |
| 1/2            | 1008           | 1008Z          | 3/4                                  | 2 3/8                                  | -                                    | 3 1/4  | 1 3/8 | 1     | 5/16 | 3/8   | 1 1/2   | 1 3/16 | 1/2   | 1/8 | 0.80              |
| 5/8            | 1010           | 1010Z          | 7/8                                  | 3                                      | -                                    | 4 1/4  | 2     | 1 3/8 | 3/8  | 1/2   | 1 3/4   | 1 1/2  | 5/8   | 1/8 | 1.60              |
| 3/4            | 1012           | 1012Z          |                                      |  |                                      |        |       |       |      |       |         |        |       |     | 1.50              |
| 7/8            | 1014           | 1014Z          | 1                                    | 3 1/4                                  | -                                    | 4 1/2  | 2     | 1 3/8 | 3/8  | 1/2   | 1 31/32 | 1 3/4  | 5/8   | 1/8 | 1.90              |
| 15/16          | 1015           | 1015Z          |                                      |  |                                      |        |       |       |      |       |         |        |       |     | 1.70              |
| 1              | 1016           | 1016Z          | 1 1/4                                | 4                                      | -                                    | 5 1/4  | 2 1/2 | 1 5/8 | 3/8  | 5/8   | 2 3/8   | 2      | 5/8   | 1/8 | 1.60              |
| 1 1/8          | 1018           | 1018Z          |                                      |  |                                      |        |       |       |      |       |         |        |       |     | 2.60              |
| 1 3/16         | 1019           | 1019Z          | 1 3/8                                | 5                                      | -                                    | 6 3/4  | 3     | 2     | 1/2  | 3/4   | 2 11/16 | 2 3/8  | 13/16 | 1/4 | 2.50              |
| 1 1/4          | 1020           | 1020Z          |                                      |  |                                      |        |       |       |      |       |         |        |       |     | 2.40              |
| 1 3/8          | 1022           | 1022Z          | 1 5/8                                | 5 1/2                                  | -                                    | 7 1/4  | 3 1/2 | 2 1/4 | 1/2  | 3/4   | 3 3/16  | 2 3/4  | 7/8   | 1/4 | 4.50              |
| 1 7/16         | 1023           | 1023Z          |                                      |  |                                      |        |       |       |      |       |         |        |       |     | 4.30              |
| 1 1/2          | 1024           | 1024Z          | 1 3/4                                | 6                                      | -                                    | 8      | 4     | 2 3/4 | 5/8  | 7/8   | 3 1/2   | 3 1/8  | 1     | 1/4 | 4.10              |
| 1 11/16        | 1027           | 1027Z          |                                      |  |                                      |        |       |       |      |       |         |        |       |     | 6.00              |
| 1 3/4          | 1028           | 1028Z          | 2                                    | 6 1/2                                  | -                                    | 8 1/2  | 4 1/2 | 3     | 5/8  | 1     | 3 7/8   | 3 3/8  | 1     | 3/8 | 5.70              |
| 1 15/16        | 1031           | 1031Z          |                                      |  |                                      |        |       |       |      |       |         |        |       |     | 8.50              |
| 2              | 1032           | 1032Z          | 2 1/4                                | 7                                      | -                                    | 9 1/4  | 5     | 3 1/4 | 3/4  | 1 1/8 | 4 3/8   | 3 3/4  | 1 1/8 | 3/8 | 8.30              |
| 2 3/16         | 1035           | 1035Z          |                                      |  |                                      |        |       |       |      |       |         |        |       |     | 11.00             |
| 2 7/16         | 1039           | 1039Z          | 2 1/2                                | 8 1/2                                  | -                                    | 11 1/4 | 6     | 4     | 7/8  | 1 1/4 | 5       | 4 1/2  | 1 3/8 | 3/8 | 15.00             |
| 2 15/16        | 1047           | 1047Z          |                                      |  |                                      |        |       |       |      |       |         |        |       |     | 26.00             |
| <b>4-Bolt</b>  |                |                |                                      |  |                                      |        |       |       |      |       |         |        |       |     |                   |
| 3 7/16         | 1055F          | 1055FZ         | 3                                    | 10                                     | 2 3/4                                | 12 1/2 | 7     | 5     | 3/4  | 1 3/8 | 6       | 5 1/4  | 1 1/4 | 1/2 | 39.00             |
| 3 15/16        | 1063F          | 1063FZ         | 3 1/4                                | 11                                     | 3                                    | 13 3/4 | 8     | 5 1/2 | 3/4  | 1 1/2 | 6 9/16  | 5 7/8  | 1 3/8 | 1/2 | 54.00             |

## Additional Notes

- Please call 1-866-REXNORD for availability
- One pipe tapped hole for lubrication
- Grease cup or fitting not included
- For the Selection Guide, Load Ratings and Speed Limits, see the Link-Belt Sleeve Bearing Engineering section
- Note: Dimensions subject to change. Certified dimensions of ordered material furnished on request.

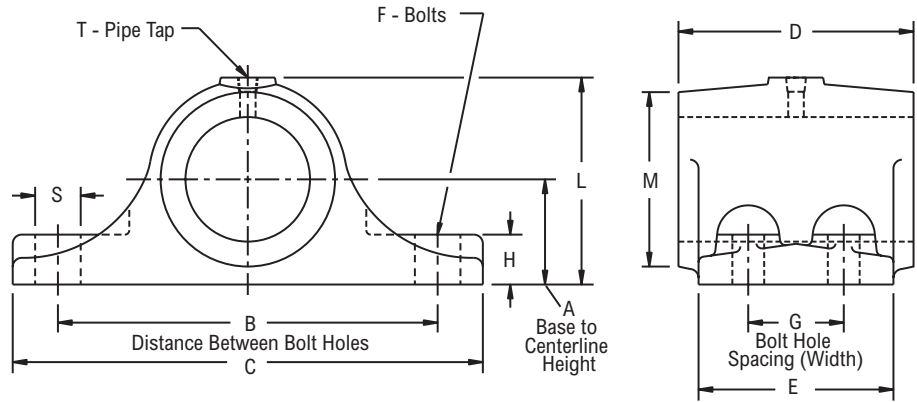
# 1100



Photo Shows a 2-Bolt Rigid Sleeve Bearing Pillow Block Unit with Cast Iron Bushing

### Product Features

- Corrosion-resistant powder coating
- Cast iron one piece housing
- Cast iron sleeve
- 2 or 4-bolt base
- Relubricatable
- See Features & Benefits for additional info.



### Bearing Dimensions

| Shaft Diameter                  | Part Number | A Base to Centerline Height   | B Distance Between Bolt Holes | G Bolt Hole Spacing (Width)   | C                              | D                             | E                             | F                            | H                             | L                               | M                              | S                             | T                           | Approx. Weight |  |
|---------------------------------|-------------|-------------------------------|-------------------------------|-------------------------------|--------------------------------|-------------------------------|-------------------------------|------------------------------|-------------------------------|---------------------------------|--------------------------------|-------------------------------|-----------------------------|----------------|--|
| <b>2-Bolt</b>                   |             |                               |                               |                               |                                |                               |                               |                              |                               |                                 |                                |                               |                             |                |  |
| <sup>3</sup> / <sub>4</sub>     | 1112        | <sup>3</sup> / <sub>4</sub>   | 2 <sup>3</sup> / <sub>8</sub> | -                             | 3 <sup>1</sup> / <sub>4</sub>  | 1 <sup>3</sup> / <sub>8</sub> | 1                             | <sup>5</sup> / <sub>16</sub> | <sup>3</sup> / <sub>8</sub>   | 1 <sup>1</sup> / <sub>2</sub>   | 1 <sup>3</sup> / <sub>16</sub> | <sup>1</sup> / <sub>2</sub>   | <sup>1</sup> / <sub>8</sub> | 0.60           |  |
| <sup>7</sup> / <sub>8</sub>     | 1114        | <sup>7</sup> / <sub>8</sub>   | 3                             | -                             | 4 <sup>1</sup> / <sub>4</sub>  | 2                             | 1 <sup>3</sup> / <sub>8</sub> | <sup>3</sup> / <sub>8</sub>  | <sup>1</sup> / <sub>2</sub>   | 1 <sup>3</sup> / <sub>4</sub>   | 1 <sup>1</sup> / <sub>2</sub>  | <sup>5</sup> / <sub>8</sub>   | <sup>1</sup> / <sub>8</sub> | 1.40           |  |
| <sup>15</sup> / <sub>16</sub>   | 1115        |                               |                               |                               |                                |                               |                               |                              |                               |                                 |                                |                               |                             | 1.30           |  |
| 1                               | 1116        | 1                             | 3 <sup>1</sup> / <sub>4</sub> | -                             | 4 <sup>1</sup> / <sub>2</sub>  | 2                             | 1 <sup>3</sup> / <sub>8</sub> | <sup>3</sup> / <sub>8</sub>  | <sup>1</sup> / <sub>2</sub>   | 1 <sup>31</sup> / <sub>32</sub> | 1 <sup>3</sup> / <sub>4</sub>  | <sup>5</sup> / <sub>8</sub>   | <sup>1</sup> / <sub>8</sub> | 1.20           |  |
| 1 <sup>1</sup> / <sub>8</sub>   | 1118        |                               |                               |                               |                                |                               |                               |                              |                               |                                 |                                |                               |                             | 1.60           |  |
| 1 <sup>3</sup> / <sub>16</sub>  | 1119        |                               |                               |                               |                                |                               |                               |                              |                               |                                 |                                |                               |                             | 1.50           |  |
| 1 <sup>1</sup> / <sub>4</sub>   | 1120        |                               |                               |                               |                                |                               |                               |                              |                               |                                 |                                |                               |                             | 1.40           |  |
| 1 <sup>7</sup> / <sub>16</sub>  | 1123        | 1 <sup>1</sup> / <sub>4</sub> | 4                             | -                             | 5 <sup>1</sup> / <sub>4</sub>  | 2 <sup>1</sup> / <sub>2</sub> | 1 <sup>5</sup> / <sub>8</sub> | <sup>3</sup> / <sub>8</sub>  | <sup>5</sup> / <sub>8</sub>   | 2 <sup>3</sup> / <sub>8</sub>   | 2                              | <sup>5</sup> / <sub>8</sub>   | <sup>1</sup> / <sub>8</sub> | 2.10           |  |
| 1 <sup>1</sup> / <sub>2</sub>   | 1124        |                               |                               |                               |                                |                               |                               |                              |                               |                                 |                                |                               |                             | 2.00           |  |
| 1 <sup>11</sup> / <sub>16</sub> | 1127        | 1 <sup>3</sup> / <sub>8</sub> | 5                             | -                             | 6 <sup>3</sup> / <sub>4</sub>  | 3                             | 2                             | <sup>1</sup> / <sub>2</sub>  | <sup>3</sup> / <sub>4</sub>   | 2 <sup>11</sup> / <sub>16</sub> | 2 <sup>3</sup> / <sub>8</sub>  | <sup>13</sup> / <sub>16</sub> | <sup>1</sup> / <sub>4</sub> | 3.50           |  |
| 1 <sup>3</sup> / <sub>4</sub>   | 1128        |                               |                               |                               |                                |                               |                               |                              |                               |                                 |                                |                               |                             | 3.40           |  |
| 1 <sup>15</sup> / <sub>16</sub> | 1131        | 1 <sup>5</sup> / <sub>8</sub> | 5 <sup>1</sup> / <sub>2</sub> | -                             | 7 <sup>1</sup> / <sub>4</sub>  | 3 <sup>1</sup> / <sub>2</sub> | 2 <sup>1</sup> / <sub>4</sub> | <sup>1</sup> / <sub>2</sub>  | <sup>3</sup> / <sub>4</sub>   | 3 <sup>3</sup> / <sub>16</sub>  | 2 <sup>3</sup> / <sub>4</sub>  | <sup>7</sup> / <sub>8</sub>   | <sup>1</sup> / <sub>4</sub> | 5.00           |  |
| 2                               | 1132        |                               |                               |                               |                                |                               |                               |                              |                               |                                 |                                |                               |                             | 4.90           |  |
| 2 <sup>3</sup> / <sub>16</sub>  | 1135        | 1 <sup>3</sup> / <sub>4</sub> | 6                             | -                             | 8                              | 4                             | 2 <sup>3</sup> / <sub>4</sub> | <sup>5</sup> / <sub>8</sub>  | <sup>7</sup> / <sub>8</sub>   | 3 <sup>1</sup> / <sub>2</sub>   | 3 <sup>1</sup> / <sub>8</sub>  | 1                             | <sup>3</sup> / <sub>8</sub> | 6.80           |  |
| 2 <sup>7</sup> / <sub>16</sub>  | 1139        | 2                             | 6 <sup>1</sup> / <sub>2</sub> | -                             | 8 <sup>1</sup> / <sub>2</sub>  | 4 <sup>1</sup> / <sub>2</sub> | 3                             | <sup>5</sup> / <sub>8</sub>  | 1                             | 3 <sup>7</sup> / <sub>8</sub>   | 3 <sup>3</sup> / <sub>8</sub>  | 1                             | <sup>3</sup> / <sub>8</sub> | 9.00           |  |
| 2 <sup>11</sup> / <sub>16</sub> | 1143        | 2 <sup>1</sup> / <sub>4</sub> | 7                             | -                             | 9 <sup>1</sup> / <sub>4</sub>  | 5                             | 3 <sup>1</sup> / <sub>4</sub> | <sup>3</sup> / <sub>4</sub>  | 1 <sup>1</sup> / <sub>8</sub> | 4 <sup>3</sup> / <sub>8</sub>   | 3 <sup>3</sup> / <sub>4</sub>  | 1 <sup>1</sup> / <sub>8</sub> | <sup>3</sup> / <sub>8</sub> | 12.00          |  |
| 2 <sup>15</sup> / <sub>16</sub> | 1147        |                               |                               |                               |                                |                               |                               |                              |                               |                                 |                                |                               |                             | 11.00          |  |
| 3 <sup>1</sup> / <sub>16</sub>  | 1155        | 2 <sup>1</sup> / <sub>2</sub> | 8 <sup>1</sup> / <sub>2</sub> | -                             | 11 <sup>1</sup> / <sub>4</sub> | 6                             | 4                             | <sup>7</sup> / <sub>8</sub>  | 1 <sup>1</sup> / <sub>4</sub> | 5                               | 4 <sup>1</sup> / <sub>2</sub>  | 1 <sup>3</sup> / <sub>8</sub> | <sup>1</sup> / <sub>2</sub> | 19.00          |  |
| <b>4-Bolt</b>                   |             |                               |                               |                               |                                |                               |                               |                              |                               |                                 |                                |                               |                             |                |  |
| 3 <sup>15</sup> / <sub>16</sub> | 1163F       | 3                             | 10                            | 2 <sup>3</sup> / <sub>4</sub> | 12 <sup>1</sup> / <sub>2</sub> | 7                             | 5                             | <sup>3</sup> / <sub>4</sub>  | 1 <sup>3</sup> / <sub>8</sub> | 6                               | 5 <sup>1</sup> / <sub>4</sub>  | 1 <sup>1</sup> / <sub>4</sub> | <sup>1</sup> / <sub>2</sub> | 31.00          |  |

### Additional Notes

- Please call 1-866-REXNORD for availability
- One pipe tapped hole for lubrication
- Grease cup or fitting not included
- Note: Approximate load ratings from babbit ratings
- For the Selection Guide, Load Ratings and Speed Limits, see the Link-Belt Sleeve Bearing Engineering section
- Note: Dimensions subject to change. Certified dimensions of ordered material furnished on request.

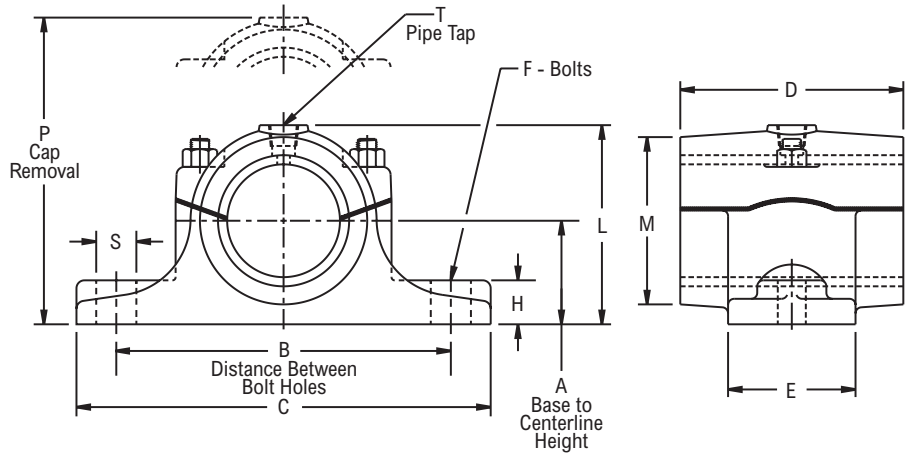
# 21200, 21200Z



Photo Shows a 2-Bolt Rigid Sleeve Bearing Two-Piece Pillow Block Unit with Bronze Bushing

## Product Features

- Corrosion-resistant powder coating
- Cast iron two piece housing
- Babbitt or Bronze sleeve
- 2-bolt base
- Relubricatable
- See Features & Benefits for additional info.



## Bearing Dimensions

| Shaft Diameter | Babbitt     | Bronze      | A<br>Base to<br>Centerline<br>Height | B<br>Distance<br>Between<br>Bolt Holes | C      | D     | E     | F   | H      | L       | M       | P     | S     | T   | Approx.<br>Weight |
|----------------|-------------|-------------|--------------------------------------|--|--------|-------|-------|-----|--------|---------|---------|-------|-------|-----|-------------------|
|                | Part Number | Part Number |                                      |  |        |       |       |     |        |         |         |       |       |     |                   |
| 7/8            | 21214       | 21214Z      | 1                                    | 3 5/8                                  | 4 3/4  | 2     | 1 3/8 | 3/8 | 9/16   | 2 1/16  | 1 13/16 | 3     | 9/16  | 1/8 | 1.90              |
| 15/16          | 21215       | 21215Z      |                                      |  |        |       |       |     |        |         |         |       |       |     | 1.80              |
| 1              | 21216       | 21216Z      |                                      |  |        |       |       |     |        |         |         |       |       |     | 1.70              |
| 1 1/16         | 21217       | 21217Z      | 1 1/4                                | 4 1/8                                  | 5 1/4  | 2 1/2 | 1 5/8 | 3/8 | 5/8    | 2 7/16  | 2       | 3 1/2 | 5/8   | 1/8 | 2.60              |
| 1 1/8          | 21218       | 21218Z      |                                      |  |        |       |       |     |        |         |         |       |       |     | 2.50              |
| 1 3/16         | 21219       | 21219Z      |                                      |  |        |       |       |     |        |         |         |       |       |     | 2.40              |
| 1 1/4          | 21220       | 21220Z      |                                      |  |        |       |       |     |        |         |         |       |       |     | 2.30              |
| 1 5/16         | 21221       | 21221Z      |                                      |  |        |       |       |     |        |         |         |       |       |     | 4.10              |
| 1 3/8          | 21222       | 21222Z      | 1 3/8                                | 4 7/8                                  | 6 1/4  | 3     | 2     | 1/2 | 3/4    | 2 11/16 | 2 5/16  | 3 7/8 | 11/16 | 1/4 | 4.00              |
| 1 7/16         | 21223       | 21223Z      |                                      |  |        |       |       |     |        |         |         |       |       |     | 3.80              |
| 1 1/2          | 21224       | 21224Z      |                                      |  |        |       |       |     |        |         |         |       |       |     | 6.80              |
| 1 9/16         | 21225       | 21225Z      | 1 1/2                                | 5 1/4                                  | 6 3/4  | 3 1/2 | 2 1/4 | 1/2 | 13/16  | 3       | 2 11/16 | 4 3/8 | 3/4   | 1/4 | 6.40              |
| 1 5/8          | 21226       | 21226Z      |                                      |  |        |       |       |     |        |         |         |       |       |     | 6.00              |
| 1 11/16        | 21227       | 21227Z      |                                      |  |        |       |       |     |        |         |         |       |       |     | 5.60              |
| 1 3/4          | 21228       | 21228Z      |                                      |  |        |       |       |     |        |         |         |       |       |     | 8.50              |
| 1 15/16        | 21231       | 21231Z      |                                      |  |        |       |       |     |        |         |         |       |       |     | 8.00              |
| 2              | 21232       | 21232Z      | 1 7/8                                | 6 1/2                                  | 8 1/2  | 4 1/2 | 2 3/4 | 5/8 | 1      | 3 3/4   | 3 3/8   | 5 1/4 | 1     | 3/8 | 11.00             |
| 2 3/16         | 21235       | 21235Z      |                                      |  |        |       |       |     |        |         |         |       |       |     | 14.00             |
| 2 1/4          | 21236       | 21236Z      |                                      |  |        |       |       |     |        |         |         |       |       |     | 13.00             |
| 2 7/16         | 21239       | 21239Z      | 2 1/8                                | 7                                      | 8 7/8  | 5     | 3     | 5/8 | 1 1/8  | 4 3/16  | 3 3/4   | 5 3/4 | 1     | 3/8 | 19.00             |
| 2 1/2          | 21240       | 21240Z      |                                      |  |        |       |       |     |        |         |         |       |       |     | 23.00             |
| 2 11/16        | 21243       | 21243Z      | 2 1/4                                | 7 3/4                                  | 10     | 5 1/2 | 3 1/4 | 3/4 | 1 3/16 | 4 1/2   | 4       | 6 3/8 | 1 1/8 | 3/8 | 22.00             |
| 2 15/16        | 21247       | 21247Z      |                                      |  |        |       |       |     |        |         |         |       |       |     | 35.00             |
| 3              | 21248       | 21248Z      | 2 1/2                                | 8 1/2                                  | 10 3/4 | 6     | 3 1/2 | 3/4 | 1 5/16 | 4 7/8   | 4 1/4   | 6 3/4 | 1 1/8 | 3/8 | 48.00             |
| 3 7/16         | 21255       | 21255Z      |                                      |  |        |       |       |     |        |         |         |       |       |     | 35.00             |
| 3 15/16        | 21263       | 21263Z      |                                      |  |        |       |       |     |        |         |         |       |       |     | 48.00             |

## Additional Notes

- Please call 1-866-REXNORD for availability
- One pipe tapped hole for lubrication
- Grease cup or fitting not included
- LHD sliding base take-up can be drilled for these pillow blocks
- For the Selection Guide, Load Ratings and Speed Limits, see the Link-Belt Sleeve Bearing Engineering section
- Note: Dimensions subject to change. Certified dimensions of ordered material furnished on request.

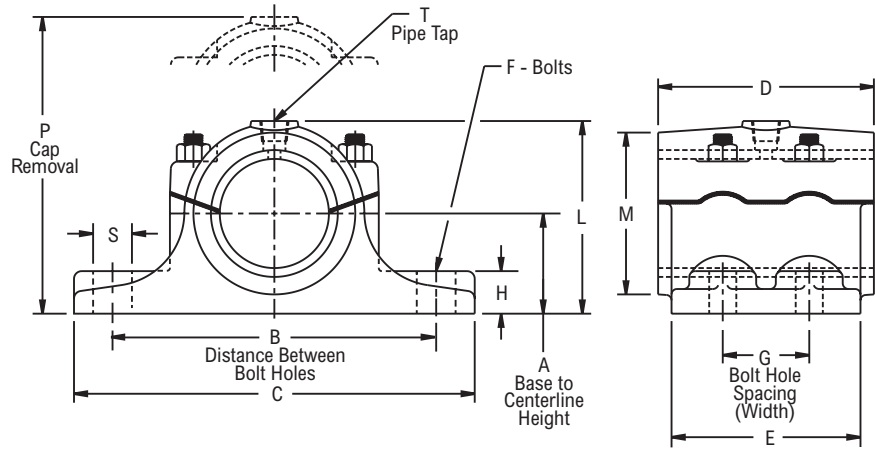
21300



Photo Shows a 4-Bolt Rigid Sleeve Bearing Two-Piece Pillow Block Unit with Babbitt Bushing

**Product Features**

- Corrosion-resistant powder coating
- Cast iron two piece housing
- Babbitt sleeve
- 4-bolt base
- Relubricatable
- See Features & Benefits for additional info.



**Bearing Dimensions**

| Shaft Diameter | Part Number | A Base to Centerline Height | B Distance Between Bolt Holes | G Bolt Hole Spacing (Width) | C      | D  | E     | F   | H     | L       | M     | P      | S     | T   | Approx. Weight |
|----------------|-------------|-----------------------------|-------------------------------|-----------------------------|--------|----|-------|-----|-------|---------|-------|--------|-------|-----|----------------|
| <b>4-Bolt</b>  |             |                             |                               |                             |        |    |       |     |       |         |       |        |       |     |                |
| 3 7/16         | 21355       | 3 1/4                       | 10 1/2                        | 2 3/4                       | 13     | 7  | 5     | 3/4 | 1 3/8 | 6 1/4   | 5 1/4 | 8 1/8  | 1 1/4 | 1/2 | 43.00          |
| 3 15/16        | 21363       | 3 1/2                       | 12                            | 3                           | 14 3/4 | 8  | 5 1/2 | 3/4 | 1 1/2 | 6 13/16 | 5 7/8 | 9 3/8  | 1 3/8 | 1/2 | 61.00          |
| 4 7/16         | 21371       | 4 1/8                       | 13 1/2                        | 3 1/2                       | 16 1/2 | 9  | 6 1/4 | 7/8 | 1 3/4 | 7 7/8   | 6 5/8 | 10 3/8 | 1 1/2 | 1/2 | 92.00          |
| 4 15/16        | 21379       | 4 1/2                       | 15                            | 4                           | 18     | 10 | 7     | 7/8 | 1 7/8 | 8 9/16  | 7 1/4 | 11 3/8 | 1 5/8 | 1/2 | 116.00         |

**Additional Notes**

- Please call 1-866-REXNORD for availability
- One pipe tapped hole for lubrication
- Grease cup or fitting not included
- For the Selection Guide, Load Ratings and Speed Limits, see the Link-Belt Sleeve Bearing Engineering section
- Note: Dimensions subject to change. Certified dimensions of ordered material furnished on request.



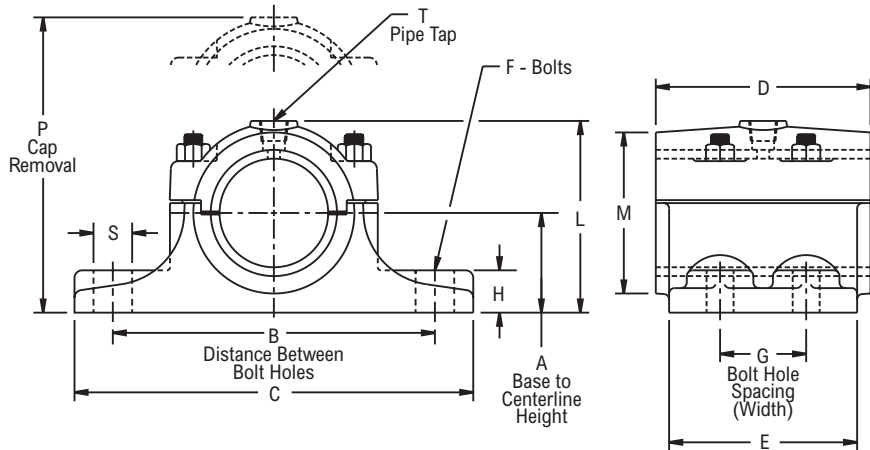
# 21400, 21400Z, 2K1400Z



Photo Shows a 4-Bolt Rigid Sleeve Bearing Two-Piece Pillow Block Unit with Bronze Bushing

## Product Features

- Corrosion-resistant powder coating
- Cast iron or cast steel housing
- Two-piece gibbed joint design
- Babbitt or Bronze sleeve
- 4-bolt base
- Relubricatable
- See Features & Benefits for additional info.



## Bearing Dimensions

| Shaft Diameter    | Babbitt     | Bronze      | A Base to Centerline Height | B Distance Between Bolt Holes | G Bolt Hole Spacing (Width) | C      | D     | E      | F     | H     | L       | M      | P       | S     | T   | Approx. Weight |
|-------------------|-------------|-------------|-----------------------------|-------------------------------|-----------------------------|--------|-------|--------|-------|-------|---------|--------|---------|-------|-----|----------------|
|                   | Part Number | Part Number |                             |                               |                             |        |       |        |       |       |         |        |         |       |     |                |
| <b>Cast Iron</b>  |             |             |                             |                               |                             |        |       |        |       |       |         |        |         |       |     |                |
| 1 15/16           | 21431       | 21431Z      | 1 3/4                       | 6 1/2                         | 1 3/4                       | 8 1/4  | 4     | 3 1/2  | 1/2   | 7/8   | 3 7/16  | 3      | 4 1/2   | 3/4   | 1/4 | 10.00          |
| 2 3/16            | 21435       | 21435Z      | 1 7/8                       | 6 3/4                         | 1 3/4                       | 8 1/2  | 4 1/2 | 3 1/2  | 1/2   | 1     | 3 3/4   | 3 3/8  | 4 15/16 | 3/4   | 3/8 | 14.00          |
| 2 7/16            | 21439       | 21439Z      | 2 1/8                       | 8                             | 2                           | 10 1/4 | 5     | 4      | 5/8   | 1 1/8 | 4 3/16  | 3 3/4  | 5 3/8   | 1     | 3/8 | 19.00          |
| 2 11/16           | 21443       | 21443Z      | 2 1/4                       | 8 1/4                         | 2 1/4                       | 10 1/2 | 5 1/2 | 4 1/4  | 5/8   | 1 1/4 | 4 1/2   | 4      | 6       | 1     | 3/8 | 25.00          |
| 2 15/16           | 21447       | 21447Z      | 2 1/2                       | 8 3/4                         | 2 1/2                       | 11     | 6     | 4 1/2  | 5/8   | 1 3/8 | 4 7/8   | 4 1/4  | 6 7/8   | 1     | 3/8 | 30.00          |
| 3 7/16            | 21455       | 21455Z      | 3 1/4                       | 10 1/2                        | 2 3/4                       | 13     | 7     | 5      | 3/4   | 1 3/8 | 6 1/4   | 5 1/4  | 8 9/32  | 1 1/4 | 1/2 | 43.00          |
| 3 15/16           | 21463       | 21463Z      | 3 1/2                       | 12                            | 3                           | 14 3/4 | 8     | 5 1/2  | 3/4   | 1 1/2 | 6 13/16 | 5 7/8  | 9 13/16 | 1 3/8 | 1/2 | 61.00          |
| 4 7/16            | 21471       | 21471Z      | 4 1/8                       | 13 1/2                        | 3 1/2                       | 16 1/2 | 9     | 6 1/4  | 7/8   | 1 3/4 | 7 7/8   | 6 5/8  | 10 1/4  | 1 1/2 | 1/2 | 92.00          |
| 4 15/16           | 21479       | 21479Z      | 4 1/2                       | 15                            | 4                           | 18     | 10    | 7      | 7/8   | 1 7/8 | 8 9/16  | 7 1/4  | 11 3/16 | 1 5/8 | 1/2 | 119.00         |
| 5 7/16            | 21487       | 21487Z      | 5                           | 15 3/4                        | 4 1/2                       | 19 1/4 | 11    | 7 3/4  | 1     | 2     | 9 3/8   | 7 7/8  | 12 1/4  | 1 3/4 | 1/2 | 166.00         |
| 5 15/16           | 21495       | 21495Z      | 5 1/2                       | 16 1/2                        | 5                           | 20 1/2 | 12    | 8 1/2  | 1 1/8 | 2 1/8 | 10 1/4  | 8 1/2  | 13 7/8  | 1 7/8 | 1/2 | 198.00         |
| 6 7/16            | 214103      | 214103Z     | 6                           | 18                            | 5 1/2                       | 22     | 13    | 9 1/2  | 1 1/8 | 2 1/4 | 11      | 9 1/8  | 15 1/8  | 1 7/8 | 1/2 | 260.00         |
| 6 1/2             | 214104      | 214104Z     |                             |                               |                             |        |       |        |       |       |         |        |         |       |     | 255.00         |
| 7                 | 214112      | 214112Z     | 6 1/2                       | 19                            | 6                           | 23     | 14    | 10     | 1 1/4 | 2 3/8 | 11 3/4  | 9 3/4  | 15 7/8  | 2     | 1/2 | 311.00         |
| 8                 | 214128      | 214128Z     | 7                           | 21 1/2                        | 6 3/4                       | 26     | 16    | 11     | 1 3/8 | 2 1/2 | 13 3/16 | 11 3/8 | 17 7/8  | 2 1/4 | 1/2 | 425.00         |
| <b>Cast Steel</b> |             |             |                             |                               |                             |        |       |        |       |       |         |        |         |       |     |                |
| 1 15/16           | -           | 2K1431Z     | 1 3/4                       | 6 1/2                         | 1 3/4                       | 8 1/4  | 4     | 3 1/2  | 1/2   | 7/8   | 3 7/16  | 3      | 4 1/2   | 3/4   | 1/4 | 11.00          |
| 2 3/16            | -           | 2K1435Z     | 1 7/8                       | 6 3/4                         | 1 3/4                       | 8 1/2  | 4 1/2 | 3 1/2  | 1/2   | 1     | 3 3/4   | 3 3/8  | 4 15/16 | 3/4   | 3/8 | 15.00          |
| 2 7/16            | -           | 2K1439Z     | 2 1/8                       | 8                             | 2                           | 10 1/4 | 5     | 4      | 5/8   | 1 1/8 | 4 3/16  | 3 3/4  | 5 3/8   | 1     | 3/8 | 21.00          |
| 2 11/16           | -           | 2K1443Z     | 2 1/4                       | 8 1/4                         | 2 1/4                       | 10 1/2 | 5 1/2 | 4 1/4  | 5/8   | 1 1/4 | 4 1/2   | 4      | 6       | 1     | 3/8 | 28.30          |
| 2 15/16           | -           | 2K1447Z     | 2 1/2                       | 8 3/4                         | 2 1/2                       | 11     | 6     | 4 1/2  | 5/8   | 1 3/8 | 4 7/8   | 4 1/4  | 6 7/8   | 1     | 3/8 | 34.00          |
| 3 7/16            | -           | 2K1455Z     | 3 1/4                       | 10 1/2                        | 2 3/4                       | 13     | 7     | 5      | 3/4   | 1 3/8 | 6 1/4   | 5 1/4  | 8 9/32  | 1 1/4 | 1/2 | 49.00          |
| 3 15/16           | -           | 2K1463Z     | 3 1/2                       | 12                            | 3                           | 14 3/4 | 8     | 5 1/2  | 3/4   | 1 1/2 | 6 13/16 | 5 7/8  | 9 13/16 | 1 3/8 | 1/2 | 69.00          |
| 4 7/16            | -           | 2K1471Z     | 4 1/8                       | 13 1/2                        | 3 1/2                       | 16 1/2 | 9     | 6 1/4  | 7/8   | 1 3/4 | 7 7/8   | 6 5/8  | 10 1/4  | 1 1/2 | 1/2 | 104.00         |
| 4 15/16           | -           | 2K1479Z     | 4 1/2                       | 15                            | 4                           | 18     | 10    | 7      | 7/8   | 1 7/8 | 8 9/16  | 7 1/4  | 11 3/16 | 1 5/8 | 1/2 | 134.00         |
| 5 7/16            | -           | 2K1487Z     | 5                           | 15 3/4                        | 4 1/2                       | 19 1/4 | 11    | 7 3/4  | 1     | 2     | 9 3/8   | 7 7/8  | 12 1/4  | 1 3/4 | 1/2 | 187.00         |
| 5 15/16           | -           | 2K1495Z     | 5 1/2                       | 16 1/2                        | 5                           | 20 1/2 | 12    | 8 1/2  | 1 1/8 | 2 1/8 | 10 1/4  | 8 1/2  | 13 7/8  | 1 7/8 | 1/2 | 213.00         |
| 6 1/2             | -           | 2K14104Z    | 6                           | 18                            | 5 1/2                       | 22     | 13    | 9 1/2  | 1 1/8 | 2 1/4 | 11      | 9 1/8  | 15 1/8  | 1 7/8 | 1/2 | 287.00         |
| 7                 | -           | 2K14112Z    | 6 1/2                       | 19                            | 6                           | 23     | 14    | 10     | 1 1/4 | 2 3/8 | 11 3/4  | 9 3/4  | 15 7/8  | 2     | 1/2 | 350.00         |
| 8                 | -           | 2K14128Z    | 7                           | 21 1/2                        | 6 3/4                       | 26     | 16    | 11     | 1 3/8 | 2 1/2 | 13 3/16 | 11 3/8 | 17 7/8  | 2 1/4 | 1/2 | 478.00         |
| 9                 | -           | 2K14144Z    | 8                           | 23                            | 6                           | 29     | 16    | 10 1/2 | 1 1/2 | 2 3/4 | 14 7/8  | 12 1/2 | 20 3/8  | 2 3/4 | 1/2 | 530.00         |
| 10                | -           | 2K14160Z    | 9                           | 25                            | 6                           | 31     | 16    | 10 1/2 | 1 3/4 | 3     | 16 7/8  | 14     | 22 7/8  | 3     | 1/2 | 650.00         |
| 12                | -           | 2K14192Z    | 11                          | 29                            | 7 1/2                       | 36     | 18    | 12 1/2 | 2     | 3 1/2 | 20      | 16     | 27      | 3 1/2 | 1/2 | 910.00         |

## Additional Notes

- Please call 1-866-REXNORD for availability
- One pipe tapped hole (two holes for shafts larger than 5 in for lubrication)
- Grease cup or fitting not included
- LHD sliding base take-up can be drilled for these pillow blocks
- For the Selection Guide, Load Ratings and Speed Limits, see the Link-Belt Sleeve Bearing Engineering section
- Note: Dimensions subject to change. Certified dimensions of ordered material furnished on request.

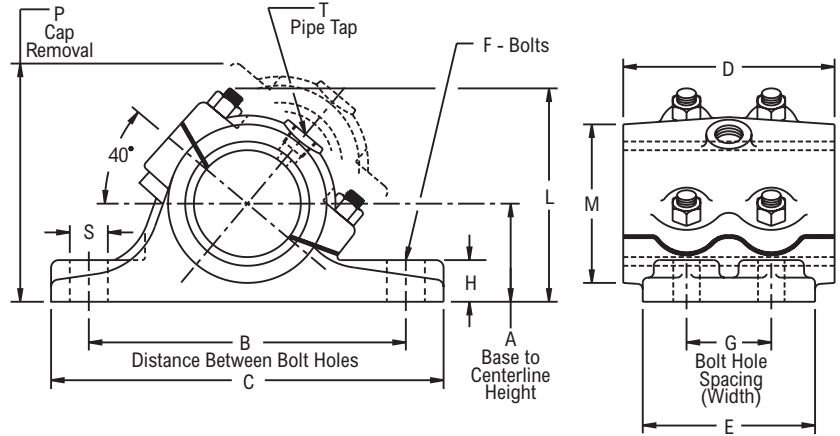
## 21500, 21500Z



Photo Shows a 4-Bolt Rigid Sleeve Bearing Two-Piece Pillow Block Unit with Bronze Bushing

### Product Features

- Corrosion-resistant powder coating
- Cast iron housing
- Two-piece angular joint design
- Babbitt or Bronze sleeve
- 4-bolt base
- Relubricatable
- See Features & Benefits for additional info.



### Bearing Dimensions

| Shaft Diameter                  | Babbitt        | Bronze         | A<br>Base to<br>Centerline<br>Height | B<br>Distance<br>Between<br>Bolt Holes | G<br>Bolt Hole<br>Spacing<br>(Width) | C                              | D                             | E                              | F                             | H                             | L                                | M                              | P                              | S                             | T                           | Approx.<br>Weight |
|---------------------------------|----------------|----------------|--------------------------------------|--|--------------------------------------|--------------------------------|-------------------------------|--------------------------------|-------------------------------|-------------------------------|----------------------------------|--------------------------------|--------------------------------|-------------------------------|-----------------------------|-------------------|
|                                 | Part<br>Number | Part<br>Number |                                      |  |                                      |                                |                               |                                |                               |                               |                                  |                                |                                |                               |                             |                   |
| 1 <sup>15</sup> / <sub>16</sub> | 21531          | 21531Z         | 2 <sup>1</sup> / <sub>4</sub>        | 6 <sup>1</sup> / <sub>2</sub>          | 1 <sup>3</sup> / <sub>4</sub>        | 8 <sup>1</sup> / <sub>4</sub>  | 4                             | 3 <sup>1</sup> / <sub>2</sub>  | <sup>1</sup> / <sub>2</sub>   | <sup>7</sup> / <sub>8</sub>   | 4 <sup>1</sup> / <sub>2</sub>    | 3                              | 5 <sup>1</sup> / <sub>4</sub>  | <sup>3</sup> / <sub>4</sub>   | <sup>1</sup> / <sub>4</sub> | 10.00             |
| 2 <sup>3</sup> / <sub>16</sub>  | 21535          | 21535Z         | 2 <sup>1</sup> / <sub>2</sub>        | 6 <sup>3</sup> / <sub>4</sub>          | 1 <sup>3</sup> / <sub>4</sub>        | 8 <sup>1</sup> / <sub>2</sub>  | 4 <sup>1</sup> / <sub>2</sub> | 3 <sup>1</sup> / <sub>2</sub>  | <sup>1</sup> / <sub>2</sub>   | 1                             | 4 <sup>7</sup> / <sub>8</sub>    | 3 <sup>3</sup> / <sub>8</sub>  | 5 <sup>3</sup> / <sub>4</sub>  | <sup>3</sup> / <sub>4</sub>   | <sup>3</sup> / <sub>8</sub> | 14.00             |
| 2 <sup>7</sup> / <sub>16</sub>  | 21539          | 21539Z         | 2 <sup>3</sup> / <sub>4</sub>        | 8                                      | 2                                    | 10 <sup>1</sup> / <sub>4</sub> | 5                             | 4                              | <sup>5</sup> / <sub>8</sub>   | 1 <sup>1</sup> / <sub>8</sub> | 5 <sup>5</sup> / <sub>16</sub>   | 3 <sup>3</sup> / <sub>4</sub>  | 6 <sup>1</sup> / <sub>8</sub>  | 1                             | <sup>3</sup> / <sub>8</sub> | 17.00             |
| 2 <sup>11</sup> / <sub>16</sub> | 21543          | 21543Z         | 3                                    | 8 <sup>1</sup> / <sub>4</sub>          | 2 <sup>1</sup> / <sub>4</sub>        | 10 <sup>1</sup> / <sub>2</sub> | 5 <sup>1</sup> / <sub>2</sub> | 4 <sup>1</sup> / <sub>4</sub>  | <sup>5</sup> / <sub>8</sub>   | 1 <sup>1</sup> / <sub>4</sub> | 6                                | 4                              | 7                              | 1                             | <sup>3</sup> / <sub>8</sub> | 27.00             |
| 2 <sup>15</sup> / <sub>16</sub> | 21547          | 21547Z         | 3 <sup>1</sup> / <sub>4</sub>        | 8 <sup>3</sup> / <sub>4</sub>          | 2 <sup>1</sup> / <sub>2</sub>        | 11                             | 6                             | 4 <sup>1</sup> / <sub>2</sub>  | <sup>5</sup> / <sub>8</sub>   | 1 <sup>3</sup> / <sub>8</sub> | 6 <sup>3</sup> / <sub>8</sub>    | 4 <sup>1</sup> / <sub>4</sub>  | 7 <sup>1</sup> / <sub>2</sub>  | 1                             | <sup>3</sup> / <sub>8</sub> | 29.00             |
| 3 <sup>7</sup> / <sub>16</sub>  | 21555          | 21555Z         | 3 <sup>1</sup> / <sub>2</sub>        | 10 <sup>1</sup> / <sub>2</sub>         | 2 <sup>3</sup> / <sub>4</sub>        | 13                             | 7                             | 5                              | <sup>3</sup> / <sub>4</sub>   | 1 <sup>1</sup> / <sub>2</sub> | 7 <sup>1</sup> / <sub>8</sub>    | 5 <sup>1</sup> / <sub>4</sub>  | 9                              | 1 <sup>1</sup> / <sub>4</sub> | <sup>1</sup> / <sub>2</sub> | 43.00             |
| 3 <sup>15</sup> / <sub>16</sub> | 21563          | 21563Z         | 3 <sup>3</sup> / <sub>4</sub>        | 12                                     | 3                                    | 14 <sup>3</sup> / <sub>4</sub> | 8                             | 5 <sup>1</sup> / <sub>2</sub>  | <sup>3</sup> / <sub>4</sub>   | 1 <sup>5</sup> / <sub>8</sub> | 8 <sup>1</sup> / <sub>4</sub>    | 5 <sup>7</sup> / <sub>8</sub>  | 10 <sup>1</sup> / <sub>4</sub> | 1 <sup>3</sup> / <sub>8</sub> | <sup>1</sup> / <sub>2</sub> | 60.00             |
| 4 <sup>7</sup> / <sub>16</sub>  | 21571          | 21571Z         | 4 <sup>1</sup> / <sub>8</sub>        | 13 <sup>1</sup> / <sub>2</sub>         | 3 <sup>1</sup> / <sub>2</sub>        | 16 <sup>1</sup> / <sub>2</sub> | 9                             | 6 <sup>1</sup> / <sub>4</sub>  | <sup>7</sup> / <sub>8</sub>   | 1 <sup>3</sup> / <sub>4</sub> | 8 <sup>7</sup> / <sub>8</sub>    | 6 <sup>5</sup> / <sub>8</sub>  | 11                             | 1 <sup>1</sup> / <sub>2</sub> | <sup>1</sup> / <sub>2</sub> | 87.00             |
| 4 <sup>15</sup> / <sub>16</sub> | 21579          | 21579Z         | 4 <sup>1</sup> / <sub>2</sub>        | 15                                     | 4                                    | 18                             | 10                            | 7                              | <sup>7</sup> / <sub>8</sub>   | 1 <sup>7</sup> / <sub>8</sub> | 9 <sup>3</sup> / <sub>4</sub>    | 7 <sup>1</sup> / <sub>4</sub>  | 12                             | 1 <sup>5</sup> / <sub>8</sub> | <sup>1</sup> / <sub>2</sub> | 119.00            |
| 5 <sup>7</sup> / <sub>16</sub>  | 21587          | 21587Z         | 5                                    | 15 <sup>3</sup> / <sub>4</sub>         | 4 <sup>1</sup> / <sub>2</sub>        | 19 <sup>3</sup> / <sub>4</sub> | 11                            | 8                              | 1                             | 2                             | 10 <sup>13</sup> / <sub>16</sub> | 7 <sup>7</sup> / <sub>8</sub>  | 13 <sup>1</sup> / <sub>2</sub> | 1 <sup>7</sup> / <sub>8</sub> | <sup>1</sup> / <sub>2</sub> | 163.00            |
| 5 <sup>15</sup> / <sub>16</sub> | 21595          | 21595Z         | 5 <sup>1</sup> / <sub>2</sub>        | 16 <sup>1</sup> / <sub>2</sub>         | 5                                    | 20 <sup>1</sup> / <sub>2</sub> | 12                            | 8 <sup>1</sup> / <sub>2</sub>  | 1 <sup>1</sup> / <sub>8</sub> | 2 <sup>1</sup> / <sub>8</sub> | 11 <sup>29</sup> / <sub>32</sub> | 8 <sup>1</sup> / <sub>2</sub>  | 14 <sup>5</sup> / <sub>8</sub> | 1 <sup>7</sup> / <sub>8</sub> | <sup>1</sup> / <sub>2</sub> | 192.00            |
| 6 <sup>1</sup> / <sub>2</sub>   | 215104         | 215104Z        | 6                                    | 18                                     | 5 <sup>1</sup> / <sub>2</sub>        | 22                             | 13                            | 9 <sup>1</sup> / <sub>2</sub>  | 1 <sup>1</sup> / <sub>8</sub> | 2 <sup>1</sup> / <sub>4</sub> | 11 <sup>3</sup> / <sub>4</sub>   | 9 <sup>1</sup> / <sub>8</sub>  | 14 <sup>3</sup> / <sub>4</sub> | 1 <sup>7</sup> / <sub>8</sub> | <sup>1</sup> / <sub>2</sub> | 255.00            |
| 7                               | 215112         | 215112Z        | 6 <sup>1</sup> / <sub>2</sub>        | 19                                     | 6                                    | 23                             | 14                            | 10                             | 1 <sup>1</sup> / <sub>4</sub> | 2 <sup>3</sup> / <sub>8</sub> | 13 <sup>11</sup> / <sub>16</sub> | 9 <sup>3</sup> / <sub>4</sub>  | 16 <sup>5</sup> / <sub>8</sub> | 2                             | <sup>1</sup> / <sub>2</sub> | 295.00            |
| 8                               | 215128         | 215128Z        | 8                                    | 23                                     | 6                                    | 29                             | 16                            | 10 <sup>1</sup> / <sub>2</sub> | 1 <sup>1</sup> / <sub>2</sub> | 2 <sup>3</sup> / <sub>4</sub> | 16 <sup>1</sup> / <sub>8</sub>   | 12 <sup>1</sup> / <sub>2</sub> | 22                             | 2 <sup>3</sup> / <sub>4</sub> | <sup>1</sup> / <sub>2</sub> | 575.00            |

### Additional Notes

- Please call 1-866-REXNORD for availability
- One pipe tapped hole (two holes for shafts larger than 5 in for lubrication)
- Grease cup or fitting not included
- For the Selection Guide, Load Ratings and Speed Limits, see the Link-Belt Sleeve Bearing Engineering section
- Note: Dimensions subject to change. Certified dimensions of ordered material furnished on request.

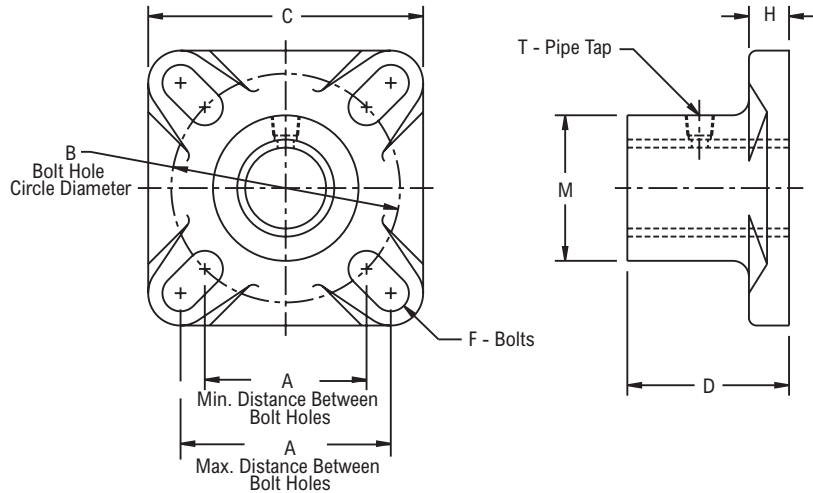
## F2200, F2200Z



Photo Shows a 4-Bolt Rigid Sleeve Bearing Flanged Unit with Bronze Bushing

### Product Features

- Corrosion-resistant powder coating
- Cast iron one piece housing
- Babbitt or Bronze sleeve
- Relubricatable
- See Features & Benefits for additional info.



### Bearing Dimensions

| Shaft Diameter   | Babbitt     | Bronze      | A Min. Distance Between Bolt Holes | A Max. Distance Between Bolt Holes | B Bolt Hole Circle Diameter | C               | D              | F             | H              | M              | T             | Approx. Weight |
|------------------|-------------|-------------|------------------------------------|------------------------------------|-----------------------------|-----------------|----------------|---------------|----------------|----------------|---------------|----------------|
|                  | Part Number | Part Number |                                    |                                    |                             |                 |                |               |                |                |               |                |
| $\frac{3}{4}$    | F2212       | F2212Z      | $2\frac{1}{8}$                     | $2\frac{1}{2}$                     | 3                           | $3\frac{3}{8}$  | $1\frac{1}{2}$ | $\frac{3}{8}$ | $\frac{7}{16}$ | $1\frac{1}{2}$ | $\frac{1}{8}$ | 1.70           |
| $\frac{7}{8}$    | F2214       | F2214Z      | $2\frac{1}{8}$                     | $2\frac{3}{4}$                     | 3                           | $3\frac{3}{4}$  | 2              | $\frac{3}{8}$ | $\frac{1}{2}$  | $1\frac{7}{8}$ | $\frac{1}{8}$ | 2.50           |
| $\frac{15}{16}$  | F2215       | F2215Z      |                                    |                                    |                             |                 |                |               |                |                |               |                |
| 1                | F2216       | F2216Z      | $2\frac{1}{2}$                     | $3\frac{1}{4}$                     | $3\frac{9}{16}$             | $4\frac{1}{4}$  | $2\frac{1}{2}$ | $\frac{1}{2}$ | $\frac{5}{8}$  | $2\frac{1}{4}$ | $\frac{1}{8}$ | 2.40           |
| $1\frac{3}{16}$  | F2219       | F2219Z      |                                    |                                    |                             |                 |                |               |                |                |               | 3.70           |
| $1\frac{1}{4}$   | F2220       | F2220Z      |                                    |                                    |                             |                 |                |               |                |                |               | 3.60           |
| $1\frac{7}{16}$  | F2223       | F2223Z      | $2\frac{29}{32}$                   | 4                                  | $4\frac{1}{8}$              | $5\frac{1}{8}$  | 3              | $\frac{1}{2}$ | $\frac{3}{4}$  | $2\frac{1}{2}$ | $\frac{1}{4}$ | 5.00           |
| $1\frac{1}{2}$   | F2224       | F2224Z      |                                    |                                    |                             |                 |                |               |                |                |               | 4.80           |
| $1\frac{11}{16}$ | F2227       | F2227Z      | $3\frac{9}{32}$                    | $4\frac{1}{8}$                     | $4\frac{5}{8}$              | $5\frac{3}{8}$  | $3\frac{1}{2}$ | $\frac{1}{2}$ | $\frac{3}{4}$  | $2\frac{7}{8}$ | $\frac{1}{4}$ | 10.40          |
| $1\frac{3}{4}$   | F2228       | F2228Z      |                                    |                                    |                             |                 |                |               |                |                |               | 10.20          |
| $1\frac{15}{16}$ | F2231       | F2231Z      | $3\frac{23}{32}$                   | $5\frac{1}{8}$                     | $5\frac{1}{4}$              | $6\frac{3}{8}$  | 4              | $\frac{5}{8}$ | $\frac{7}{8}$  | $3\frac{1}{4}$ | $\frac{1}{4}$ | 10.60          |
| 2                | F2232       | F2232Z      |                                    |                                    |                             |                 |                |               |                |                |               | 10.30          |
| $2\frac{3}{16}$  | F2235       | F2235Z      | $4\frac{1}{16}$                    | $5\frac{1}{8}$                     | $5\frac{3}{4}$              | $6\frac{3}{8}$  | $4\frac{1}{2}$ | $\frac{5}{8}$ | $\frac{7}{8}$  | $3\frac{5}{8}$ | $\frac{1}{4}$ | 14.80          |
| $2\frac{7}{16}$  | F2239       | F2239Z      | $4\frac{13}{32}$                   | $5\frac{5}{8}$                     | $6\frac{1}{4}$              | $6\frac{7}{8}$  | 5              | $\frac{5}{8}$ | 1              | 4              | $\frac{3}{8}$ | 16.50          |
| $2\frac{15}{16}$ | F2247       | F2247Z      | $5\frac{7}{32}$                    | 6                                  | $7\frac{3}{8}$              | $7\frac{3}{4}$  | 6              | $\frac{3}{4}$ | $1\frac{1}{8}$ | $4\frac{3}{4}$ | $\frac{3}{8}$ | 27.00          |
| 3                | F2248       | F2248Z      |                                    |                                    |                             |                 |                |               |                |                |               | 26.30          |
| $3\frac{7}{16}$  | F2255       | F2255Z      | $5\frac{29}{32}$                   | $6\frac{3}{4}$                     | $8\frac{3}{8}$              | $8\frac{9}{16}$ | 7              | $\frac{3}{4}$ | $1\frac{1}{4}$ | $5\frac{1}{2}$ | $\frac{1}{2}$ | 40.50          |
| $3\frac{15}{16}$ | F2263       | F2263Z      | $6\frac{23}{32}$                   | $7\frac{5}{8}$                     | $9\frac{1}{2}$              | $9\frac{3}{4}$  | 8              | $\frac{7}{8}$ | $1\frac{1}{2}$ | $6\frac{3}{8}$ | $\frac{1}{2}$ | 65.00          |

### Additional Notes

- Please call 1-866-REXNORD for availability
- One pipe tapped hole for lubrication
- Grease cup or fitting not included
- For the Selection Guide, Load Ratings and Speed Limits, see the Link-Belt Sleeve Bearing Engineering section
- Note: Dimensions subject to change. Certified dimensions of ordered material furnished on request.

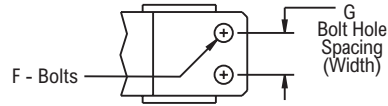
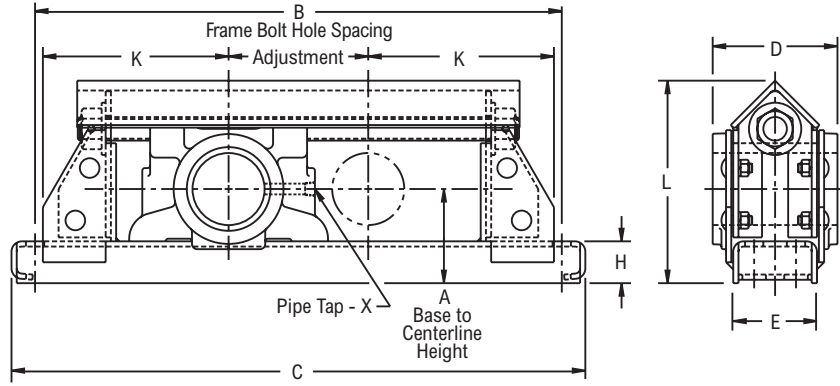
# DSB2800



Photo Shows a Heavy Duty Removable Top Conveyor Take-up Frame with Rigid Sleeve Bearing Take-up Unit

### Product Features

- Protected screw type frame
- Corrosion-resistant powder coating
- Cast iron housing
- Babbitt sleeve
- Relubricatable
- See Features & Benefits for additional info.



### Bearing Dimensions

| Shaft Diameter | Adjust. | Part Number | A Base to Centerline Height | B Frame Bolt Hole Spacing | G Bolt Hole Spacing (Width) | C      | D | E | F   | H     | K     | L        | X   | Radial Factor | Approx. Weight |
|----------------|---------|-------------|-----------------------------|---------------------------|-----------------------------|--------|---|---|-----|-------|-------|----------|-----|---------------|----------------|
| 1 15/16        | 12      | DSB283112   | 3 1/4                       | 26 1/2                    | -                           | 29 1/2 | 4 | 3 | 5/8 | 1 3/4 | 7 3/4 | 7 1/4    | 1/4 | 1             | 39.00          |
|                | 18      | DSB283118   |                             | 32 1/2                    |                             | 35 1/2 |   |   |     |       |       |          |     |               | 45.00          |
| 2 3/16         | 12      | DSB283512   | 3 3/8                       | 27 1/2                    | -                           | 29 1/2 | 4 | 3 | 5/8 | 1 3/4 | 7 3/4 | 7 1/4    | 3/8 | 1             | 42.00          |
|                | 18      | DSB283518   |                             | 33 1/2                    |                             | 35 1/2 |   |   |     |       |       |          |     |               | 48.00          |
| 2 7/16         | 12      | DSB283912   | 3 1/2                       | 28 1/2                    | -                           | 30 1/2 | 5 | 3 | 3/4 | 1 3/4 | 8 1/4 | 7 1/2    | 3/8 | 1             | 49.00          |
|                | 18      | DSB283918   |                             | 34 1/2                    |                             | 36 1/2 |   |   |     |       |       |          |     |               | 55.00          |
|                | 24      | DSB283924   |                             | 40 1/2                    |                             | 42 1/2 |   |   |     |       |       |          |     |               | 60.00          |
| 2 15/16        | 12      | DSB284712   | 4 1/8                       | 30 1/2                    | 2                           | 32 1/2 | 6 | 4 | 5/8 | 2     | 9 1/4 | 8 3/4    | 3/8 | 1             | 72.00          |
|                | 18      | DSB284718   |                             | 36 1/2                    |                             | 38 1/2 |   |   |     |       |       |          |     |               | 81.00          |
|                | 24      | DSB284724   |                             | 42 1/2                    |                             | 44 1/2 |   |   |     |       |       |          |     |               | 89.00          |
| 3 7/16         | 12      | DSB285512   | 4 1/2                       | 32                        | 2                           | 34 1/4 | 7 | 4 | 3/4 | 2     | 10    | 9 11/16  | 1/2 | 1             | 94.00          |
|                | 18      | DSB285518   |                             | 38                        |                             | 40 1/4 |   |   |     |       |       |          |     |               | 103.00         |
|                | 24      | DSB285524   |                             | 44                        |                             | 46 1/4 |   |   |     |       |       |          |     |               | 111.00         |
| 3 15/16        | 12      | DSB286312   | 5                           | 36                        | 2 1/2                       | 38 1/2 | 8 | 5 | 3/4 | 2 1/4 | 12    | 10 15/16 | 1/2 | 1             | 138.00         |
|                | 18      | DSB286318   |                             | 42                        |                             | 44 1/2 |   |   |     |       |       |          |     |               | 150.00         |
|                | 24      | DSB286324   |                             | 48                        |                             | 50 1/2 |   |   |     |       |       |          |     |               | 160.00         |

### Additional Notes

- Please call 1-866-REXNORD for availability
- One pipe tapped hole for lubrication
- Grease cup or fitting not included
- For replacement bearing unit, specify take-up number without amount of adjustment, i.e. DSB2831
- Take-ups with adjustment of 18 in (457.2 mm) or more have center supporting pad welded to bottom of frame
- For radial loads, multiply load rating by a factor of 1.0

For the Selection Guide, Load Ratings and Speed Limits, see the Link-Belt Sleeve Bearing Engineering section  
 Note: Dimensions subject to change. Certified dimensions of ordered material furnished on request.

## Rigid Sleeve Bearing Replacement Parts



Bushing

### 1000Z Part Numbers

| Shaft Diameter | Pillow Block | Replacement Bushing |
|----------------|--------------|---------------------|
|                | Part Number  | Part Number         |
| 1/2            | 1008Z        | 285Y222101          |
| 5/8            | 1010Z        | 285Y222104          |
| 3/4            | 1012Z        | 285Y222105          |
| 7/8            | 1014Z        | 285Y2221            |
| 15/16          | 1015Z        | 285Y2222            |
| 1              | 1016Z        | 285Y2223            |
| 1 1/8          | 1018Z        | 285Y2224            |
| 1 3/16         | 1019Z        | 285Y2225            |
| 1 1/4          | 1020Z        | 285Y2226            |
| 1 3/8          | 1022Z        | 285Y2228            |
| 1 7/16         | 1023Z        | 285Y2229            |
| 1 1/2          | 1024Z        | 285Y22210           |
| 1 11/16        | 1027Z        | 285Y22211           |
| 1 3/4          | 1028Z        | 285Y22212           |
| 1 15/16        | 1031Z        | 285Y22213           |
| 2              | 1032Z        | 285Y22214           |
| 2 3/16         | 1035Z        | 285Y22215           |
| 2 7/16         | 1039Z        | 285Y22217           |
| 2 15/16        | 1047Z        | 285Y22223           |
| 3 7/16         | 1055FZ       | 285Y22225           |
| 3 15/16        | 1063FZ       | 285Y22227           |

### F2200Z Part Numbers

| Shaft Diameter | Flange Block | Replacement Bushing |
|----------------|--------------|---------------------|
|                | Part Number  | Part Number         |
| 3/4            | F2212Z       | 285Y22296           |
| 7/8            | F2214Z       | 285Y2221            |
| 15/16          | F2215Z       | 285Y2222            |
| 1              | F2216Z       | 285Y2223            |
| 1 3/16         | F2219Z       | 285Y2225            |
| 1 1/4          | F2220Z       | 285Y2226            |
| 1 7/16         | F2223Z       | 285Y2229            |
| 1 1/2          | F2224Z       | 285Y22210           |
| 1 11/16        | F2227Z       | 285Y22211           |
| 1 3/4          | F2228Z       | 285Y22212           |
| 1 15/16        | F2231Z       | 285Y22213           |
| 2              | F2232Z       | 285Y22214           |
| 2 3/16         | F2235Z       | 285Y22215           |
| 2 7/16         | F2239Z       | 285Y22217           |
| 2 15/16        | F2247Z       | 285Y22223           |
| 3              | F2248Z       | 285Y22224           |
| 3 7/16         | F2255Z       | 285Y22225           |
| 3 15/16        | F2263Z       | 285Y22227           |

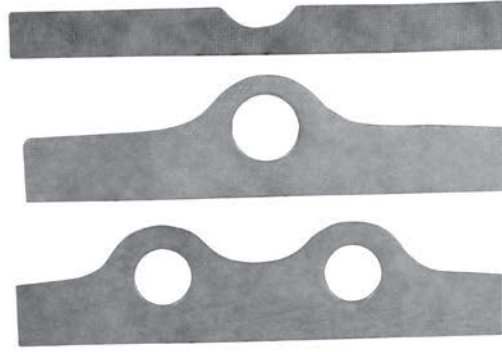
### Additional Notes

Bronze replacement bearings are sold with lube groove. Provision should be made to lock the bearing to the housing.

## Rigid Sleeve Bearing Replacement Parts



Bushing



Shims

### 21200Z Part Numbers

| Shaft Diameter | Pillow Block | Replacement Bushing | Shims       |             |
|----------------|--------------|---------------------|-------------|-------------|
|                | Part Number  |                     | Part Number | Part Number |
| 7/8            | 21214Z       | 285BY24             | 131Y9541    | 2           |
| 15/16          | 21215Z       | 285BY25             | 131Y95421   | 2           |
| 1              | 21216Z       | 285BY26             | 131Y95421   | 2           |
| 1 1/16         | 21217Z       | 285BY215            | 131Y95424   | 2           |
| 1 1/8          | 21218Z       | 285BY27             | 131Y9542    | 2           |
| 1 3/16         | 21219Z       | 285BY28             | 131Y95422   | 2           |
| 1 1/4          | 21220Z       | 285BY29             | 131Y95422   | 2           |
| 1 3/8          | 21222Z       | 285BY210            | 131Y95423   | 4           |
| 1 7/16         | 21223Z       | 285BY211            | 131Y95423   | 4           |
| 1 1/2          | 21224Z       | 285BY212            | 131Y95423   | 4           |
| 1 9/16         | 21225Z       | 285BY213            | 131Y95424   | 4           |
| 1 5/8          | 21226Z       | 285BY214            | 131Y95424   | 4           |
| 1 11/16        | 21227Z       | 285BY215            | 131Y95424   | 4           |
| 1 3/4          | 21228Z       | 285BY216            | 131Y95424   | 4           |
| 1 15/16        | 21231Z       | 285BY217            | 131Y95425   | 4           |
| 2              | 21232Z       | 285BY218            | 131Y95425   | 4           |
| 2 3/16         | 21235Z       | 285BY219            | 131Y95426   | 4           |
| 2 1/4          | 21236Z       | 285BY220            | 131Y95426   | 4           |
| 2 7/16         | 21239Z       | 285BY222            | 131Y95427   | 4           |
| 2 1/2          | 21240Z       | 285BY224            | 131Y95427   | 4           |
| 2 11/16        | 21243Z       | 285BY225            | 131Y95428   | 4           |
| 2 15/16        | 21247Z       | 285BY229            | 131Y95429   | 4           |
| 3              | 21248Z       | 285BY230            | 131Y95429   | 4           |
| 3 7/16         | 21255Z       | 285BY232            | 131Y95430   | 4           |
| 3 15/16        | 21263Z       | 285BY236            | 131Y95431   | 4           |

### 21400Z, 2K1400Z Part Numbers

| Shaft Diameter | Pillow Block      | Replacement Bushing | Shims       |             |
|----------------|-------------------|---------------------|-------------|-------------|
|                | Part Number       |                     | Part Number | Part Number |
| 1 15/16        | 21431Z, 2K1431Z   | 285BY31             | 131Y3661    | 4           |
| 2 3/16         | 21435Z, 2K1435Z   | 285BY33             | 131Y3663    | 4           |
| 2 7/16         | 21439Z, 2K1439Z   | 285BY37             | 131Y3665    | 4           |
| 2 11/16        | 21443Z, 2K1443Z   | 285BY39             | 131Y3667    | 4           |
| 2 15/16        | 21447Z, 2K1447Z   | 285BY313            | 131Y3669    | 4           |
| 3 7/16         | 21455Z, 2K1455Z   | 285BY317            | 131Y36611   | 6           |
| 3 15/16        | 21463Z, 2K1463Z   | 285BY319            | 131Y36613   | 6           |
| 4 7/16         | 21471Z            | 285BY321            | 131Y36615   | 8           |
| 4 7/16         | 2K1471Z           | 285BY322            | 131Y36615   | 8           |
| 4 15/16        | 21479Z            | 285BY325            | 131Y36617   | 8           |
| 4 15/16        | 2K1479Z           | 285BY326            | 131Y36617   | 8           |
| 5 7/16         | 21487Z, 2K1487Z   | 285BY329            | 131Y36618   | 12          |
| 5 15/16        | 21495Z, 2K1495Z   | 285BY331            | 131Y36621   | 12          |
| 6 7/16         | 214103Z, 2K14103Z | 285BY333            | 131Y36622   | 12          |
| 6 1/2          | 214104Z, 2K14104Z | 285BY334            | 131Y36622   | 12          |
| 7              | 214112Z, 2K14112Z | 285BY335            | 131Y36625   | 12          |
| 7 1/2          | 214120Z, 2K14120Z | 285BY336            | 131Y36628   | 12          |
| 8              | 214128Z, 2K14128Z | 285BY337            | 131Y36630   | 12          |
| 9              | 2K14144Z          | 285BY338            | 131Y36620   | 2           |
| 10             | 2K14160Z          | 285BY340            | 131Y36624   | 2           |
| 12             | 2K14192Z          | 285BY341            | 131Y36626   | 2           |

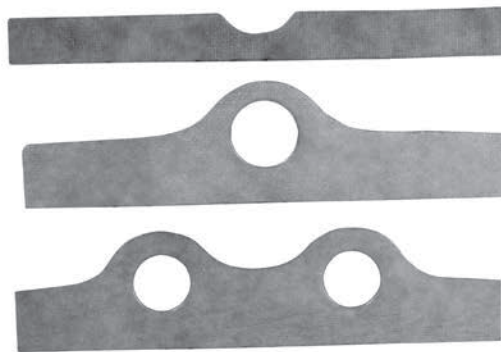
### Additional Notes

Replacement bronze bearings are pre-split with lube groove. Provision should be made to lock each bearing segment to the base and cap. Replacement bronze bearings and shims must be ordered as individual items.

## Rigid Sleeve Bearing Replacement Parts



Bushing



Shims

### 21500Z Part Numbers

| Shaft Diameter                  | Pillow Block | Replacement Bushing | Shims       |          |
|---------------------------------|--------------|---------------------|-------------|----------|
|                                 | Part Number  | Part Number         | Part Number | Quantity |
| 1 <sup>15</sup> / <sub>16</sub> | 21531Z       | 285BY217            | 131Y95425   | 4        |
| 2 <sup>3</sup> / <sub>16</sub>  | 21535Z       | 285BY219            | 131Y95426   | 4        |
| 2 <sup>7</sup> / <sub>16</sub>  | 21539Z       | 285BY222            | 131Y95427   | 4        |
| 2 <sup>11</sup> / <sub>16</sub> | 21543Z       | 285BY225            | 131Y95428   | 4        |
| 2 <sup>15</sup> / <sub>16</sub> | 21547Z       | 285BY229            | 131Y95429   | 4        |
| 3 <sup>7</sup> / <sub>16</sub>  | 21555Z       | 285BY233            | 131Y9549    | 6        |
| 3 <sup>15</sup> / <sub>16</sub> | 21563Z       | 285BY237            | 131Y95410   | 6        |
| 4 <sup>7</sup> / <sub>16</sub>  | 21571Z       | 285BY240            | 131Y95411   | 8        |
| 4 <sup>15</sup> / <sub>16</sub> | 21579Z       | 285BY242            | 131Y95412   | 8        |
| 5 <sup>7</sup> / <sub>16</sub>  | 21587Z       | 285BY244            | 131Y95434   | 12       |
| 5 <sup>15</sup> / <sub>16</sub> | 21595Z       | 285BY331            | 131Y36621   | 12       |
| 6 <sup>1</sup> / <sub>2</sub>   | 215104Z      | 285BY334            | 131Y36622   | 12       |
| 7                               | 215112Z      | 285BY335            | 131Y36625   | 12       |
| 8                               | 215128Z      | 285BY337            | 131Y36616   | 2        |

### Additional Notes

Replacement bronze bearings are pre-split with lube groove. Provision should be made to lock each bearing segment to the base and cap. Replacement bronze bearings and shims must be ordered as individual items.







Industries Served  
Commercial Furnaces  
Heat Treatment  
Waste Water Management  
Dams  
Air Handling

## Link-Belt Series 3200 Flex-block Sleeve Bearing Units

Link-Belt flex-block bearings are alignable and self-lubricating. Because the bearing material wears gradually under operation, sudden breakdowns and costly maintenance are minimized. The standard bearing insert materials of oil impregnated porous sintered bronze, or self-lubricating graphite are widely used for the extreme applications of modern industry.



### 1. One-piece Housing

Sturdy one-piece housings, with machined mounting surfaces, are available as pillow blocks or flanged units.

### 2. Machined Surface

Component has machined spherical surface for proper seating in housing and for initial mounting alignment.

### 3. Self-Lubricating or Oil Impregnated

Bearing sleeve, pressed into component, is available in self-lubricating or oil impregnated material.

### 4. Extend Unit Life

When the component retaining screw is loosened, the insert can be rotated 180° to utilize unused bearing surface and extend the life of the unit.

### Bearings Components

Heart of the Flex-block bearing is the alignable insert into which is pressed a self-lubricating bearing. The component has a machined spherical surface that is alignable in the housing.

### Two types of bearings are available:

1. Sintered bronze sleeve, oil impregnated, for operating temperatures to 200°F (93°C).
2. Self-lubricating carbon-graphite sleeve, for temperatures to 700°F (371°C).

### One-piece Cast Iron Housings

Compact one-piece cast iron housings provide strength and superior rigidity. All units are designed with standard mounting dimensions and have finished mounting surfaces for proper installation stability. Pillow blocks have slotted bolt holes with ample space provided for drilling dowel pin holes. Flanged units have drilled mounting holes.

### Pillow Blocks 3200P

Alignable pillow blocks have a high-test iron housing, 2-bolt base, and self-lubricating bearing. For shaft sizes 5/8" through 3 15/16".



### Flanged Units - 2-bolt 3200FX

Alignable flanged units have 2-bolt cast iron housing and self lubricating bearing. For shaft sizes 5/8" through 1 3/4".



### Flanged Units - 4-bolt 3200F

Alignable flanged units have 4-bolt cast iron housing and self lubricating bearing. For shaft sizes 5/8" through 3 7/16".



## Nomenclature

| Symbol | Description   | 32 | 16 | F | T1 | S | C |
|--------|---|----|----|---|----|---|---|
| 32     | Standard duty series                                |    |    |   |    |   |   |
| 16     | Shaft diameter in 16ths of an inch                  |    |    |   |    |   |   |
| F      | Flanged unit, 4-bolt                                |    |    |   |    |   |   |
| FX     | Flanged unit, 2-bolt                                |    |    |   |    |   |   |
| P      | Pillow block  |    |    |   |    |   |   |
| T1     | Porous sintered bronze, oil impregnated, 200°F max. |    |    |   |    |   |   |
| T3     | Self-lubricating carbon graphite, 700°F max.        |    |    |   |    |   |   |
| T4     | Plain bore (cast iron), 1000°F max.                 |    |    |   |    |   |   |
| None   | Standard length                                     |    |    |   |    |   |   |
| S      | Short sleeve, (F, FX units)                         |    |    |   |    |   |   |
| C      | Closed end unit                                     |    |    |   |    |   |   |

The nomenclature shown is provided to identify the basic and optional features of bearing and mounted unit assemblies. The most commonly specified variations are listed; however, availability of all variations cannot be assumed. Link-Belt Bearing Division, Rexnord Corporation should be consulted regarding optional features, availability, and the application requirements.

## Flex-block Sleeve Bearing Selection Guide

To select a Flex-block sleeve bearing, determine the applied radial load and the applicable operating conditions. The procedure shown here will aid in selecting an appropriate bearing.

The bearing ratings apply when certain installation and operating conditions are met and when any other adverse ambient conditions such as high or low temperatures, extreme dirt or moisture, chemical contamination, shock or vibration loading direct or induced, oscillating shafts, intermittent operation and related factors are carefully considered.

The ratings used apply when the following conditions are met:

1. Normal running loads should not exceed the ratings shown in the tables. Starting and occasional peak loads should not exceed these ratings by more than 100%.

2. The shaft finish through the bearing bore should be at least as smooth as commercial steel shafting which varies from 8 to 50 micro-inches (0.2µm to 1.3µm). There also should be no machined or ground spiral lead on the shaft journal. For improved bearing performance the shaft finish should not exceed 12 micro-inches (0.3µm). Shafting should also be within the diameter tolerances.
3. Ambient temperatures should not be lower than 32°F (0°C) for T1 bearing material. The upper operating temperature limits are as follows: T1—200°F (93°C) T3—700°F (371°C)
4. Sturdy, vibration free supporting structures should be provided.
5. Flex-block units should not be exposed to severe dirt conditions.

### Steps for Selection

#### Step 1

Determine the maximum operating temperature of the application.

#### Step 2

From Table 1, select the bearing insert material.

#### Step 3

Refer to the radial load rating tables to determine the shaft diameter necessary to obtain the required radial load rating at the given speed. Where short bearings are required, multiply the radial load by the short bearing factor before selecting the bearing.

#### Step 4

To position a shaft axially or where light thrust loads are present provide flat washers of the desired material backed by a shaft collar or a machined shaft shoulder against the end of the bearing. The bearing ends are already machined.

**Table 1 – Bearing insert material selection**

| Bearing Insert Suffix | Bearing material                       | Type of Lubrication | Type of Unit | Available Bore size |
|-----------------------|--|---------------------|--------------|---------------------|
| T1                    | Oil impregnated porous sintered bronze | Oil                 | P            | 5/8" – 3 15/16"     |
|                       |  |                     | FX           | 5/8" – 1 3/4"       |
|                       |  |                     | F            | 5/8" – 3 7/16"      |
| T3                    | Machined carbon-graphite               | Self-lubricating    | P            | 5/8" – 3 15/16"     |
|                       |  |                     | FX           | 5/8" – 1 3/4"       |
|                       |  |                     | F            | 5/8" – 3 7/16"      |

| Bearing Insert Suffix | Minimum Temperature Limit | Maximum Temperature Limit | Comments  |
|-----------------------|---------------------------|---------------------------|---|
| T1                    | 32°F (0°C)                | 200°F (93°C)              |   |
| T3                    | ....                      | 700°F (371°C)             | material somewhat brittle—handle with care—no significant shock loads |

### Additional Information

#### Flex-block Bearing Materials:

Sleeve bearing inserts made of T1 oil impregnated porous sintered bronze are universally accepted as providing reasonable capacity and dependable service. When lubricant is present damage to shafts or rotors is minimized. Additional SAE 40 oil can be periodically added to extend the bearing life. The T1 bearing operating temperature should not exceed 200°F (93°C). Applications are restricted to those involving light to moderate loads and mild shock. Caution: Do not use stainless steel shaft.

T3 machined carbon graphite bearings are self-lubricating with material worn from the bearing. T3 bearing inserts are limited to a maximum operating temperature of 700°F (371°C). The radial load applied, the shaft surface finish and the speed of operation determine the wear life of the bearing. As machined carbon graphite is somewhat brittle, care should be taken during handling and mounting to avoid chipping the corners, etc.

#### Additional Features:

By the very nature of their design all Flex-block sleeve bearing units are expansion type, in that the shaft journal is free to move axially through the bore of the bearing. To fix a unit, a combination of shaft shoulders and/or thrust collars with flat washers of the desired material can be utilized.

Flex-block pillow blocks have cored mounting bolt holes suitable for the inch or metric bolts listed. Flanged units have drilled mounting holes 1/32" (0.8 mm) larger than the largest inch bolt shown.

Bearings are not replaceable in the components. Replacement components can be ordered but generally the entire unit is replaced when required.

2 and 4-bolt flanged units can be supplied with regular or short bearings.

The short bearing inserts do not project beyond the housing mounting face. When the short bearing is selected, the applied radial load must be multiplied by the short bearing factor before selecting the bearing size.

End closures can be furnished but they require specially machined housings. When end closures are used, shafts should extend no more than 1/8" (3.2 mm) beyond the end of the bearing.

#### Operation:

Flex-block sleeve bearing units are self-lubricating and ready for operation. Being alignable, they are also easy to mount and careful shaft alignment is not required. However shaft journals must turn freely without binding in the bearing or excessive heat and seizure can result. Any factors which may disrupt or remove the lubricant film should be eliminated. Sharp edges on the shaft or the bearing surface can act as scrapers to destroy lubricant film. Do not extend shaft keyways into bearing bores.

#### Take-ups:

Flex-block pillow blocks can be mounted on universal take-up frames LC.

#### Shaft Tolerances:

Shaft diameters for Flex-block sleeve bearing units are usually held to the following regular commercial tolerances:

#### Shaft Diameters Recommended Tolerance

|                   |                   |
|-------------------|-------------------|
| 5/8" through 2"   | Nominal to –.003" |
| 2 1/2" through 4" | Nominal to –.004" |

Caution: Do not use stainless steel shaft, if bearing insert T1 is used.

Commercial shaft finish if free of nicks, burrs, scratches, etc. is generally satisfactory. Improved surface finish of 12 micro-inches (0.3µm) or less will extend wear life.

## Warning

The reliability built in all Link-Belt bearings can be realized in service only when bearings are correctly selected, properly installed, protected and maintained.

The correct selection of Flex-block sleeve bearing mounted units requires that the magnitude and nature of all loads, speeds, alignment, mounting, operating requirements and maintenance be adequately considered. The selection of materials for and design of shafting, fasteners, seals and accessories as well as provisions for installation and maintenance must follow good engineering principles.

Housings should not be used under tension loads except with adequate safety factors. For this reason pillow blocks are best suited to withstand radial loads passing through the base. When heavy loads or shock loads are possible it is most important to mount a unit so that the line of force passes directly into the mounting surface, or so that the unit is directly and substantially supported other than through its mounting bolts. Where the line of force falls outside the mounting surface, serious housing and fastener deflection or failure may occur. Link-Belt Bearing Division, Rexnord Corp. should be consulted where unusual loading conditions exist.

### Radial Load Ratings for 10 to 300 RPM (pounds/newtons)\*

| Shaft Diameter<br>Inches | Basic Bearing Number | Type Bearing Material | Shaft Speed RPM |             |             |             |             |            | Short Bearing Factor |      |
|--------------------------|----------------------|-----------------------|-----------------|-------------|-------------|-------------|-------------|------------|----------------------|------|
|                          |                      |                       | 10 to 25        | 50          | 75          | 100         | 150         | 200        |                      | 300  |
| 5/8                      | 3210                 | T1<br>T3              | 586 2 607       | 586 2 607   | 586 2 607   | 586 2 607   | 476 2 117   | 357 1 588  | 238 1 059            | ...  |
| 11/16                    | 3211                 |                       | 296 1 317       | 296 1 317   | 296 1 317   | 296 1 317   | 240 1 068   | 180 801    | 120 534              |      |
| 3/4                      | 3212                 | T1<br>T3              | 940 4 181       | 940 4 181   | 940 4 181   | 940 4 181   | 638 2 838   | 479 2 131  | 318 1 415            | 1.25 |
|                          |                      |                       | 470 2 091       | 470 2 091   | 470 2 091   | 470 2 091   | 318 1 415   | 240 1 068  | 159 707              |      |
| 7/8                      | 3214                 | T1<br>T3              | 985 4 381       | 985 4 381   | 985 4 381   | 860 3 825   | 572 2 544   | 430 1 913  | 286 1 272            | ...  |
| 15/16                    | 3215                 |                       | 493 2 193       | 493 2 193   | 493 2 193   | 430 1 913   | 287 1 277   | 215 956    | 144 641              |      |
| 1                        | 3216                 |                       |                 |             |             |             |             |            |                      |      |
| 1 1/8                    | 3218                 | T1<br>T3              | 1545 6 870      | 1545 6 870  | 1400 6 230  | 1050 4 670  | 701 3 118   | 527 2 344  | 350 1 557            | 1.22 |
| 1 3/16                   | 3219                 |                       | 773 3 438       | 773 3 438   | 700 3 114   | 526 2 340   | 350 1 557   | 262 1 165  | 175 778              |      |
| 1 1/4                    | 3220                 | T1<br>T3              | 2110 9 390      | 985 4 381   | 1720 7 650  | 1295 5 760  | 862 3 834   | 650 2 891  | 433 1 926            | 1.42 |
| 1 15/16                  | 3221                 |                       | 1055 4 690      | 493 2 193   | 860 3 825   | 646 2 874   | 430 1 913   | 323 1 437  | 215 956              |      |
| 1 3/8                    | 3222                 |                       |                 |             |             |             |             |            |                      |      |
| 1 7/16                   | 3223                 |                       |                 |             |             |             |             |            |                      |      |
| 1 1/2                    | 3224                 | T1<br>T3              | 3190 14 900     | 3190 14 190 | 2160 9 610  | 1630 7 250  | 1090 4 850  | 815 3 625  | 545 2 424            | 1.54 |
|                          |                      |                       | 1595 7 100      | 1595 7 100  | 1080 4 800  | 812 3 612   | 543 2 415   | 406 1 806  | 272 1 210            |      |
| 1 5/8                    | 3226                 | T1<br>T3              | 3450 15 350     | 3240 14 410 | 2160 9 610  | 1620 7 210  | 1090 4 850  | 815 3 625  | 545 2 424            | 1.41 |
| 1 11/16                  | 3227                 |                       | 1725 7 670      | 1620 7 210  | 1080 4 800  | 812 3 612   | 543 2 415   | 406 1 806  | 272 1 210            |      |
| 1 3/4                    | 3228                 |                       |                 |             |             |             |             |            |                      |      |
| 1 15/16                  | 3231                 | T1<br>T3              | 4360 19 390     | 3440 15 300 | 2340 10 410 | 1720 7 650  | 1150 5 120  | 860 3 825  | 575 2 558            | 1.39 |
|                          |                      |                       | 2180 9 700      | 1720 7 650  | 1170 5 200  | 860 3 825   | 575 2 558   | 430 1 913  | 288 1 281            |      |
| 2                        | 3232                 | T1<br>T3              | 4750 21 130     | 3620 16 100 | 2420 10 760 | 1810 8 050  | 1210 5 380  | 910 4 048  | 608 2 705            | 1.47 |
| 2 1/8                    | 3234                 |                       | 2375 10 560     | 1810 8 050  | 1210 5 380  | 908 4 039   | 606 2 696   | 454 2 019  | 303 1 348            |      |
| 2 3/16                   | 3235                 |                       |                 |             |             |             |             |            |                      |      |
| 2 1/4                    | 3236                 | T1<br>T3              | 6050 26 910     | 4110 18 280 | 2750 12 200 | 2050 9 120  | 1370 6 090  | 1030 4 580 | 687 3 056            | 1.45 |
| 2 7/16                   | 3239                 |                       | 3025 13 460     | 2052 9 130  | 1375 6 120  | 1026 4 560  | 686 3 051   | 513 2 282  | 343 1 526            |      |
| 2 1/2                    | 3240                 | T1<br>T3              | 7500 33 360     | 4590 20 420 | 3050 13 570 | 2290 10 190 | 1530 6 810  | 1145 5 090 | 765 3 403            | 1.51 |
| 2 11/16                  | 3243                 |                       | 3750 16 680     | 2290 10 190 | 1530 6 810  | 1145 5 090  | 764 3 398   | 573 2 549  | 382 1 699            |      |
| 2 3/4                    | 3244                 | T1<br>T3              | 9120 40 570     | 5070 22 550 | 3380 15 030 | 2530 11 250 | 1685 7 500  | 1265 5 630 | 844 3 754            | 1.61 |
| 2 15/16                  | 3247                 |                       | 4560 20 280     | 2532 11 260 | 1690 7 510  | 1266 5 630  | 845 3 759   | 633 2 816  | 423 1 882            |      |
| 3 7/16                   | 3255                 | T1<br>T3              | 11500 51 150    | 5720 25 440 | 3820 16 990 | 2880 12 810 | 1925 8 560  | 1440 6 410 | 965 4 293            | 1.31 |
|                          |                      |                       | 5710 25 410     | 2860 12 720 | 1910 8 500  | 1440 6 410  | 963 4 284   | 720 3 203  | 483 2 148            |      |
| 3 15/16                  | 3263                 | T1<br>T3              | 15000 66 720    | 7500 33 360 | 5000 22 240 | 3730 16 590 | 2500 11 120 | 1870 8 320 | 1248 5 550           | ...  |
|                          |                      |                       | 7520 33 450     | 3750 16 680 | 2500 11 120 | 1865 8 300  | 1250 5 560  | 935 4 159  | 625 2 780            |      |

\*For speeds slower than 10 RPM or for oscillating shafts, consult Link-Belt Bearing Division, Rexnord Corp.

**Radial Load Ratings for 400 to 2500 RPM (pounds/newtons)\***

| Shaft Diameter<br>Inches | Basic Bearing Number | Type Bearing Material | Shaft Speed RPM |       |     |       |     |       |      |       |      |     |      |     | Short Bearing Factor |      |      |
|--------------------------|----------------------|-----------------------|-----------------|-------|-----|-------|-----|-------|------|-------|------|-----|------|-----|----------------------|------|------|
|                          |                      |                       | 400             |       | 500 |       | 750 |       | 1000 |       | 1500 |     | 2000 |     |                      | 2500 |      |
| 5/8                      | 3210                 | {T1                   | 180             | 801   | 144 | 641   | 96  | 427   | 71   | 316   | 48   | 214 | 36   | 160 | 29                   | 129  | ...  |
| 11/16                    | 3211                 | {T3                   | 90              | 400   | 72  | 320   | 48  | 214   | 36   | 160   | 24   | 107 | 24   | 80  | 15                   | 67   |      |
| 3/4                      | 3212                 | {T1                   | 238             | 1,059 | 191 | 850   | 128 | 569   | 96   | 427   | 64   | 285 | 48   | 214 | 38                   | 169  | 1.25 |
|                          |                      | {T3                   | 120             | 534   | 92  | 409   | 63  | 280   | 48   | 214   | 32   | 142 | 24   | 107 | 19                   | 84   |      |
| 7/8                      | 3214                 | {T1                   | 215             | 956   | 175 | 778   | 114 | 507   | 86   | 383   | 57   | 254 | 43   | 191 | 34                   | 151  | .... |
| 15/16                    | 3215                 | {T3                   | 108             | 480   | 86  | 383   | 57  | 254   | 43   | 191   | 29   | 129 | 22   | 98  | ..                   | ...  |      |
| 1                        | 3216                 |                       |                 |       |     |       |     |       |      |       |      |     |      |     |                      |      | .... |
| 1 1/8                    | 3218                 | {T1                   | 263             | 1,170 | 211 | 939   | 140 | 623   | 105  | 467   | 70   | 311 | 53   | 236 | 42                   | 187  | 1.22 |
| 1 3/16                   | 3219                 | {T3                   | 131             | 583   | 105 | 467   | 70  | 311   | 53   | 236   | 35   | 156 | ..   | ... | ..                   | ...  |      |
| 1 1/4                    | 3220                 | {T1                   | 322             | 1,432 | 258 | 1,148 | 172 | 765   | 130  | 578   | 86   | 383 | 65   | 289 | 52                   | 231  | 1.42 |
| 1 15/16                  | 3221                 | {T3                   | 162             | 721   | 130 | 578   | 86  | 383   | 65   | 289   | 43   | 191 | ..   | ... | ..                   | ...  |      |
| 1 3/8                    | 3222                 |                       |                 |       |     |       |     |       |      |       |      |     |      |     |                      |      | 1.42 |
| 1 7/16                   | 3223                 |                       |                 |       |     |       |     |       |      |       |      |     |      |     |                      |      | 1.42 |
| 1 1/2                    | 3224                 | {T1                   | 408             | 1,815 | 325 | 1,446 | 216 | 961   | 163  | 725   | 109  | 485 | 82   | 365 | 65                   | 289  | 1.54 |
|                          |                      | {T3                   | 203             | 903   | 162 | 721   | 109 | 485   | 81   | 360   | ...  | ... | ..   | ... | ..                   | ...  |      |
| 1 5/8                    | 3226                 | {T1                   | 408             | 1,815 | 325 | 1,446 | 216 | 961   | 162  | 725   | 109  | 485 | 82   | 365 |                      |      | 1.42 |
| 1 11/16                  | 3227                 | {T3                   | 203             | 903   | 162 | 721   | 109 | 485   | 81   | 360   | ...  | ... | ..   | ... |                      |      |      |
| 1 3/4                    | 3228                 |                       |                 |       |     |       |     |       |      |       |      |     |      |     |                      |      | 1.42 |
| 1 15/16                  | 3231                 | {T1                   | 431             | 1,917 | 344 | 1,530 | 234 | 1,041 | 172  | 765   | 115  | 512 |      |     |                      |      | 1.39 |
|                          |                      | {T3                   | 215             | 956   | 172 | 765   | 115 | 512   | ...  | ....  | ...  | ... |      |     |                      |      |      |
| 2                        | 3232                 | {T1                   | 455             | 2,024 | 363 | 1,615 | 242 | 1,076 | 181  | 805   | 125  | 556 |      |     |                      |      | 1.47 |
| 2 1/8                    | 3234                 | {T3                   | 227             | 1,010 | 182 | 810   | 121 | 538   | ...  | ....  | ...  | ... |      |     |                      |      |      |
| 2 3/16                   | 3235                 |                       |                 |       |     |       |     |       |      |       |      |     |      |     |                      |      | 1.47 |
| 2 1/4                    | 3236                 | {T1                   | 515             | 2,291 | 413 | 1,837 | 275 | 1,223 | 205  | 912   | 137  | 609 |      |     |                      |      | 1.45 |
| 2 7/16                   | 3239                 | {T3                   | 257             | 1,143 | 205 | 912   | 137 | 609   | ...  | ....  | ...  | ... |      |     |                      |      |      |
| 2 1/2                    | 3240                 | {T1                   | 574             | 2,553 | 460 | 2,046 | 305 | 1,357 | 229  | 1,019 |      |     |      |     |                      |      | 1.51 |
| 2 11/16                  | 3243                 | {T3                   | 287             | 1,277 | 229 | 1,019 | 153 | 681   | ...  | ....  |      |     |      |     |                      |      |      |
| 2 3/4                    | 3244                 | {T1                   | 635             | 2,825 | 507 | 2,255 | 338 | 1,503 | 253  | 1,125 |      |     |      |     |                      |      | 1.61 |
| 2 15/16                  | 3247                 | {T3                   | 317             | 1,410 | 253 | 1,125 | ... | ....  | ...  | ....  |      |     |      |     |                      |      |      |
| 3 7/16                   | 3255                 | {T1                   | 725             | 3,225 | 580 | 2,580 | 382 | 1,699 | 290  | 1,390 |      |     |      |     |                      |      | 1.31 |
|                          |                      | {T3                   | 363             | 1615  | 290 | 1,290 | ... | ....  | ...  | ....  |      |     |      |     |                      |      |      |
| 3 15/16                  | 3263                 | {T1                   | 936             | 4,164 | 750 | 3,336 | 500 | 2,224 |      |       |      |     |      |     |                      |      | ...  |
|                          |                      | {T3                   | 468             | 2,082 | ... | ....  | ... | ....  |      |       |      |     |      |     |                      |      |      |

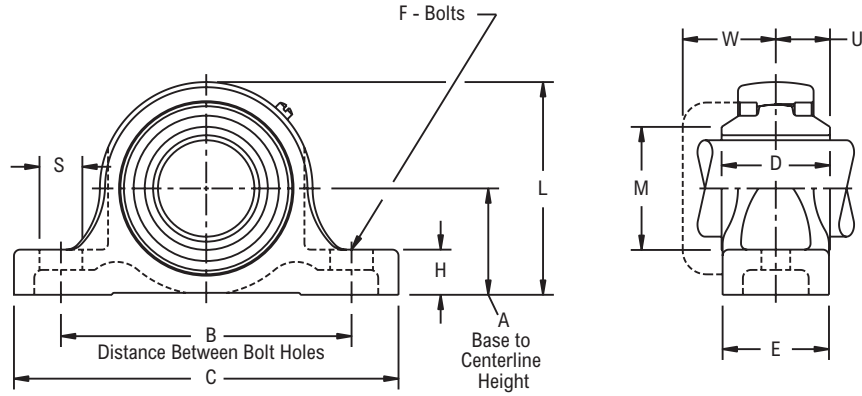
\* Load ratings are based on industry standards established by the Mechanical Power Transmission Association.



Photo Shows a 2-Bolt Flex Block Sleeve Bearing Pillow Block Unit with Bronze Bushing

**Product Features**

- Corrosion-resistant powder coating
- Cast iron housing
- T1 sintered bronze sleeve
- T3 carbon graphite sleeve
- 2-bolt base
- Alignable
- See Features & Benefits for additional info.



**Bearing Dimensions**

| Shaft Diameter | Carbon Graphite Self-Lubricating | Porous Sintered Bronze Oil Impregnated | A Base to Centerline Height | B Distance Between Bolt Holes | C      | D       | E     | F   | H       | L       | M      | S      | U       | W       | Approx. Weight |
|----------------|----------------------------------|--|-----------------------------|-------------------------------|--------|---------|-------|-----|---------|---------|--------|--------|---------|---------|----------------|
|                | Part Number                      | Part Number                            |                             |                               |        |         |       |     |         |         |        |        |         |         |                |
| 5/8            | 3210PT3                          | 3210PT1                                | 1 3/16                      | 3 1/2                         | 4 5/8  | 15/16   | 1 1/2 | 3/8 | 1/2     | 2 11/32 | 1 1/8  | 3/4    | 15/32   | 1 13/64 | 1.30           |
| 11/16          | 3211PT3                          | 3211PT1                                |                             |                               |        |         |       |     |         |         |        |        |         |         | 1.20           |
| 3/4            | 3212PT3                          | 3212PT1                                | 1 5/16                      | 3 7/8                         | 5 1/8  | 1 1/4   | 1 1/2 | 3/8 | 1/2     | 2 19/32 | 1 3/16 | 11/16  | 5/8     | 1 19/64 | 1.80           |
| 7/8            | 3214PT3                          | 3214PT1                                |                             |                               |        |         |       |     |         |         |        |        |         |         | 2.10           |
| 15/16          | 3215PT3                          | 3215PT1                                | 1 7/16                      | 4                             | 5 3/8  | 1 1/8   | 1 5/8 | 3/8 | 9/16    | 2 7/8   | 1 9/16 | 11/16  | 9/16    | 1 9/32  | 2.00           |
| 1              | 3216PT3                          | 3216PT1                                |                             |                               |        |         |       |     |         |         |        |        |         |         | 1.90           |
| 1 1/8          | 3218PT3                          | 3218PT1                                | 1 11/16                     | 4 5/8                         | 6 5/16 | 1 3/8   | 1 3/4 | 1/2 | 11/16   | 3 5/16  | 1 7/8  | 15/16  | 11/16   | 1 29/64 | 2.80           |
| 1 3/16         | 3219PT3                          | 3219PT1                                |                             |                               |        |         |       |     |         |         |        |        |         |         | 2.70           |
| 1 1/4          | 3220PT3                          | 3220PT1                                |                             |                               |        |         |       |     |         |         |        |        |         |         | 4.50           |
| 1 5/16         | 3221PT3                          | 3221PT1                                | 1 7/8                       | 4 15/16                       | 6 3/8  | 1 11/16 | 1 7/8 | 1/2 | 13/16   | 3 11/16 | 2 1/8  | 13/16  | 27/32   | 1 35/64 | 4.40           |
| 1 3/8          | 3222PT3                          | 3222PT1                                |                             |                               |        |         |       |     |         |         |        |        |         |         | 4.30           |
| 1 7/16         | 3223PT3                          | 3223PT1                                |                             |                               |        |         |       |     |         |         |        |        |         |         | 4.10           |
| 1 1/2          | 3224PT3                          | 3224PT1                                | 2                           | 5 3/8                         | 7 1/16 | 2 1/8   | 1 7/8 | 1/2 | 13/16   | 4       | 2 1/8  | 15/16  | 1 1/16  | 1 41/64 | 5.30           |
| 1 5/8          | 3226PT3                          | 3226PT1                                |                             |                               |        |         |       |     |         |         |        |        |         |         | 6.40           |
| 1 11/16        | 3227PT3                          | 3227PT1                                | 2 1/8                       | 5 5/8                         | 7 1/4  | 2 1/8   | 2     | 1/2 | 13/16   | 4 5/16  | 2 7/16 | 7/8    | 1 1/16  | 1 21/32 | 6.30           |
| 1 3/4          | 3228PT3                          | 3228PT1                                |                             |                               |        |         |       |     |         |         |        |        |         |         | 6.10           |
| 1 15/16        | 3231PT3                          | 3231PT1                                | 2 1/4                       | 6 3/16                        | 7 7/8  | 2 1/4   | 2 1/8 | 5/8 | 7/8     | 4 1/2   | 2 9/16 | 15/16  | 1 1/8   | 1 25/32 | 7.20           |
| 2              | 3232PT3                          | 3232PT1                                |                             |                               |        |         |       |     |         |         |        |        |         |         | 9.20           |
| 2 1/8          | 3234PT3                          | 3234PT1                                | 2 1/2                       | 6 3/4                         | 9 1/16 | 2 3/8   | 2 3/8 | 5/8 | 1       | 5       | 2 7/8  | 1 5/16 | 1 3/16  | 2 1/64  | 9.00           |
| 2 3/16         | 3235PT3                          | 3235PT1                                |                             |                               |        |         |       |     |         |         |        |        |         |         | 8.80           |
| 2 1/4          | 3236PT3                          | 3236PT1                                | 2 11/16                     | 7 1/2                         | 9 1/2  | 2 11/16 | 2 1/2 | 5/8 | 1 1/8   | 5 7/16  | 3 1/4  | 1 1/16 | 1 11/32 | 2 7/64  | 13.40          |
| 2 7/16         | 3239PT3                          | 3239PT1                                |                             |                               |        |         |       |     |         |         |        |        |         |         | 13.20          |
| 2 1/2          | 3240PT3                          | 3240PT1                                | 3                           | 8 1/8                         | 10 1/2 | 3       | 2 7/8 | 3/4 | 1 5/16  | 6       | 3 9/16 | 1 3/16 | 1 1/2   | 2 1/16  | 17.10          |
| 2 11/16        | 3243PT3                          | 3243PT1                                |                             |                               |        |         |       |     |         |         |        |        |         |         | 16.50          |
| 2 3/4          | 3244PT3                          | 3244PT1                                | 3 1/4                       | 8 7/8                         | 11 3/4 | 3 5/16  | 3 1/4 | 3/4 | 1 3/8   | 6 1/2   | 3 3/4  | 1 5/16 | 1 21/32 | 2 7/32  | 22.50          |
| 2 15/16        | 3247PT3                          | 3247PT1                                |                             |                               |        |         |       |     |         |         |        |        |         |         | 21.90          |
| 3 7/16         | 3255PT3                          | 3255PT1                                | 3 3/4                       | 10                            | 13     | 3 3/4   | 3 1/2 | 7/8 | 1 5/8   | 7 7/8   | 4 7/16 | 1 5/8  | 1 7/8   | 2 1/2   | 32.50          |
| 3 15/16        | 3263PT3                          | 3263PT1                                | 4 7/16                      | 11 7/8                        | 15 1/4 | 4 15/16 | 4 3/8 | 7/8 | 1 13/16 | 8 15/16 | 4 7/8  | 1 7/8  | 2 15/32 | 3 1/64  | 59.70          |

**Additional Notes**

- Please call 1-866-REXNORD for availability
- For replacement insert number, omit housing suffix designation, i.e. 3210T1
- For the Selection Guide, Load Ratings and Speed Limits, see the Link-Belt Flex-block Bearing Engineering section
- Note: Dimensions subject to change. Certified dimensions of ordered material furnished on request.

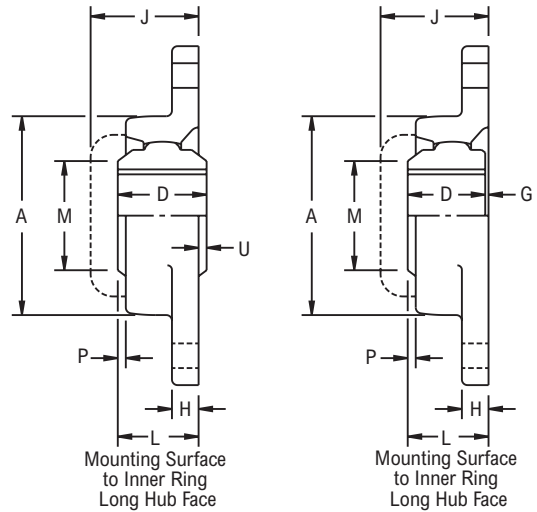
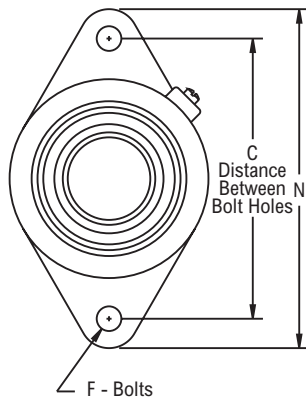
# 3200FX



Photo Shows a 2-Bolt Flex Block Sleeve Bearing Flanged Unit with Graphite Bushing

### Product Features

- Corrosion-resistant powder coating
- Cast iron housing
- T1 sintered bronze sleeve
- T3 carbon graphite sleeve
- 2-bolt mounting
- Alignable
- See Features & Benefits for additional info.



### Bearing Dimensions

| Shaft Diameter | Carb on Graphite Self-Lubricating | Porous Sintered Bronze Oil Impregnated | C Distance Between Bolt Holes | L Mounting Surface to Inner Ring Long Hub Face | A       | D Reg   | D Short | F    | G     | H     | J       | M      | N       | P     | U    | Approx. Weight |
|----------------|-----------------------------------|--|-------------------------------|--|---------|---------|---------|------|-------|-------|---------|--------|---------|-------|------|----------------|
|                | Part Number                       | Part Number                            |                               |  |         |         |         |      |       |       |         |        |         |       |      |                |
| 5/8            | 3210FXT3                          | 3210FXT1                               | 3                             | 1 7/64   | 2 1/8   | 15/16   | -       | 3/8  | 17/64 | 1/2   | 1 25/32 | 1 1/8  | 3 7/8   | 7/64  | -    | 1.00           |
| 11/16          | 3211FXT3                          | 3211FXT1                               |                               |  |         |         |         |      |       |       |         |        |         |       |      | 0.90           |
| 3/4            | 3212FXT3                          | 3212FXT1                               | 3 17/32                       | 1 23/64  | 2 7/16  | 1 1/4   | 1 1/8   | 3/8  | 1/4   | 9/16  | 2 1/64  | 1 3/16 | 4 13/32 | 5/32  | -    | 1.20           |
| 7/8            | 3214FXT3                          | 3214FXT1                               |                               |  |         |         |         |      |       |       |         |        |         |       |      | 1.70           |
| 15/16          | 3215FXT3                          | 3215FXT1                               | 3 57/64                       | 1 5/16   | 2 11/16 | 1 1/8   | -       | 7/16 | 3/16  | 19/32 | 2       | 1 9/16 | 4 29/32 | 1/16  | -    | 1.60           |
| 1              | 3216FXT3                          | 3216FXT1                               |                               |  |         |         |         |      |       |       |         |        |         |       |      | 1.50           |
| 1 1/8          | 3218FXT3                          | 3218FXT1                               | 4 19/32                       | 1 15/32  | 3 3/16  | 1 3/8   | 1 1/4   | 7/16 | 7/32  | 19/32 | 2 15/64 | 1 7/8  | 5 19/32 | 5/32  | -    | 2.50           |
| 1 3/16         | 3219FXT3                          | 3219FXT1                               |                               |  |         |         |         |      |       |       |         |        |         |       |      | 2.30           |
| 1 1/4          | 3220FXT3                          | 3220FXT1                               | 5 1/8                         | 1 21/32  | 3 5/8   | 1 11/16 | 1 1/2   | 1/2  | 5/32  | 5/8   | 2 23/64 | 2 1/8  | 6 1/8   | 1/4   | 1/32 | 3.70           |
| 1 5/16         | 3221FXT3                          | 3221FXT1                               |                               |  |         |         |         |      |       |       |         |        |         |       |      | 3.60           |
| 1 3/8          | 3222FXT3                          | 3222FXT1                               | 5 21/32                       | 1 31/32  | 4       | 2 1/8   | 1 3/4   | 1/2  | 5/32  | 5/8   | 2 35/64 | 2 1/8  | 6 25/32 | 25/64 | 5/32 | 3.50           |
| 1 7/16         | 3223FXT3                          | 3223FXT1                               |                               |  |         |         |         |      |       |       |         |        |         |       |      | 3.30           |
| 1 1/2          | 3224FXT3                          | 3224FXT1                               | 5 27/32                       | 1 31/32  | 4 1/4   | 2 1/8   | 1 13/16 | 1/2  | 5/32  | 5/8   | 2 9/16  | 2 7/16 | 7 3/32  | 3/8   | 5/32 | 4.90           |
| 1 5/8          | 3226FXT3                          | 3226FXT1                               |                               |  |         |         |         |      |       |       |         |        |         |       |      | 6.20           |
| 1 11/16        | 3227FXT3                          | 3227FXT1                               | 5 27/32                       | 1 31/32  | 4 1/4   | 2 1/8   | 1 13/16 | 1/2  | 5/32  | 5/8   | 2 9/16  | 2 7/16 | 7 3/32  | 3/8   | 5/32 | 6.00           |
| 1 3/4          | 3228FXT3                          | 3228FXT1                               |                               |  |         |         |         |      |       |       |         |        |         |       |      | 5.90           |

### Additional Notes

- Please call 1-866-REXNORD for availability
- For replacement insert number, omit housing suffix designation, i.e. 3210T1
- For short sleeves, add suffix "S", i.e. 3220FXT1S
- For the Selection Guide, Load Ratings and Speed Limits, see the Link-Belt Flex-block Bearing Engineering section
- Note: Dimensions subject to change. Certified dimensions of ordered material furnished on request.



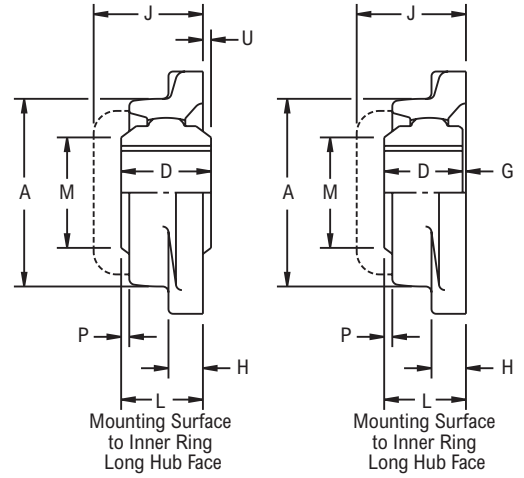
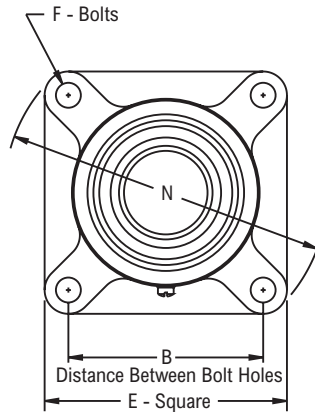
# 3200F



Photo Shows a 4-Bolt Flex Block Sleeve Bearing Flanged Unit with Graphite Bushing

## Product Features

- Corrosion-resistant powder coating
- Cast iron housing
- T1 sintered bronze sleeve
- T3 carbon graphite sleeve
- 4-bolt mounting
- Alignable
- See Features & Benefits for additional info.



## Bearing Dimensions

| Shaft Diameter | Carbon Graphite Self-Lubricating | Porous Sintered Bronze Oil Impregnated | B Distance Between Bolt Holes | L Mounting Surface to Inner Ring Long Hub Face | A       | D Reg   | D Short | E      | F    | G     | H     | J       | M      | N       | P     | U       | Approx. Weight |
|----------------|----------------------------------|--|-------------------------------|--|---------|---------|---------|--------|------|-------|-------|---------|--------|---------|-------|---------|----------------|
|                | Part Number                      | Part Number                            |                               |  |         |         |         |        |      |       |       |         |        |         |       |         |                |
| 5/8            | 3210FT3                          | 3210FT1                                | 2 1/8                         | 1 7/64   | 2 1/8   | 15/16   | -       | 3      | 3/8  | 17/64 | 1/2   | 1 25/32 | 1 1/8  | 3 7/8   | 7/64  | -       | 1.20           |
| 11/16          | 3211FT3                          | 3211FT1                                |                               |  |         |         |         |        |      |       |       |         |        |         |       |         | 1.10           |
| 3/4            | 3212FT3                          | 3212FT1                                | 2 1/2                         | 1 23/64  | 2 7/16  | 1 1/4   | 1 1/8   | 3 3/8  | 3/8  | 1/4   | 9/16  | 2 1/64  | 1 3/16 | 4 13/32 | 5/32  | -       | 1.50           |
| 7/8            | 3214FT3                          | 3214FT1                                |                               |  |         |         |         |        |      |       |       |         |        |         |       |         | 2.10           |
| 15/16          | 3215FT3                          | 3215FT1                                | 2 3/4                         | 1 5/16   | 2 11/16 | 1 1/8   | -       | 3 3/4  | 7/16 | 3/16  | 19/32 | 2       | 1 9/16 | 4 29/32 | 1/16  | -       | 2.00           |
| 1              | 3216FT3                          | 3216FT1                                |                               |  |         |         |         |        |      |       |       |         |        |         |       |         | 1.90           |
| 1 1/8          | 3218FT3                          | 3218FT1                                | 3 1/4                         | 1 15/32  | 3 3/16  | 1 3/8   | 1 1/4   | 4 1/4  | 7/16 | 7/32  | 19/32 | 2 15/64 | 1 7/8  | 5 19/32 | 5/32  | -       | 3.20           |
| 1 3/16         | 3219FT3                          | 3219FT1                                |                               |  |         |         |         |        |      |       |       |         |        |         |       |         | 2.90           |
| 1 1/4          | 3220FT3                          | 3220FT1                                | 3 5/8                         | 1 21/32  | 3 5/8   | 1 11/16 | 1 1/2   | 4 5/8  | 1/2  | 5/32  | 5/8   | 2 23/64 | 2 1/8  | 6 1/8   | 1/4   | 1/32    | 4.50           |
| 1 5/16         | 3221FT3                          | 3221FT1                                |                               |  |         |         |         |        |      |       |       |         |        |         |       |         | 4.40           |
| 1 3/8          | 3222FT3                          | 3222FT1                                |                               |  |         |         |         |        |      |       |       |         |        |         |       |         | 4.30           |
| 1 7/16         | 3223FT3                          | 3223FT1                                |                               |  |         |         |         |        |      |       |       |         |        |         |       |         | 4.10           |
| 1 1/2          | 3224FT3                          | 3224FT1                                |                               |  |         |         |         |        |      |       |       |         |        |         |       |         | 5.60           |
| 1 5/8          | 3226FT3                          | 3226FT1                                | 4 1/8                         | 1 31/32  | 4 1/4   | 2 1/8   | 1 13/16 | 5 3/8  | 1/2  | 5/32  | 5/8   | 2 9/16  | 2 7/16 | 7 3/32  | 3/8   | 5/32    | 7.10           |
| 1 11/16        | 3227FT3                          | 3227FT1                                |                               |  |         |         |         |        |      |       |       |         |        |         |       |         | 6.80           |
| 1 3/4          | 3228FT3                          | 3228FT1                                |                               |  |         |         |         |        |      |       |       |         |        |         |       |         | 6.70           |
| 1 15/16        | 3231FT3                          | 3231FT1                                | 4 3/8                         | 2 5/32   | 4 1/2   | 2 1/4   | 1 15/16 | 5 5/8  | 1/2  | 7/32  | 3/4   | 2 13/16 | 2 9/16 | 7 7/16  | 27/64 | 3/32    | 7.80           |
| 2              | 3232FT3                          | 3232FT1                                |                               |  |         |         |         |        |      |       |       |         |        |         |       |         | 10.00          |
| 2 1/8          | 3234FT3                          | 3234FT1                                | 5 1/8                         | 2 11/32  | 4 15/16 | 2 3/8   | 2       | 6 3/8  | 5/8  | 11/32 | 29/32 | 3 11/64 | 2 7/8  | 8 1/2   | 13/32 | 1/32    | 9.80           |
| 2 3/16         | 3235FT3                          | 3235FT1                                |                               |  |         |         |         |        |      |       |       |         |        |         |       |         | 9.50           |
| 2 1/4          | 3236FT3                          | 3236FT1                                | 5 5/8                         | 2 5/8  | 5 3/8   | 2 11/16 | 2 1/4   | 6 7/8  | 5/8  | 3/8   | 15/16 | 3 25/64 | 3 1/4  | 9 7/32  | 27/64 | 1/16    | 12.80          |
| 2 7/16         | 3239FT3                          | 3239FT1                                |                               |  |         |         |         |        |      |       |       |         |        |         |       |         | 12.60          |
| 2 1/2          | 3240FT3                          | 3240FT1                                | 5 7/8                         | 2 19/32  | 5 7/8   | 3       | 2 1/2   | 7 3/8  | 5/8  | 3/32  | 3/4   | 3 5/32  | 3 9/16 | 9 13/16 | 7/16  | 13/32   | 16.60          |
| 2 11/16        | 3243FT3                          | 3243FT1                                |                               |  |         |         |         |        |      |       |       |         |        |         |       |         | 15.90          |
| 2 3/4          | 3244FT3                          | 3244FT1                                | 6                             | 2 13/16  | 6 3/8   | 3 5/16  | 2 11/16 | 7 3/4  | 3/4  | 1/8   | 3/4   | 3 3/8   | 3 3/4  | 10 1/4  | 17/32 | 1/2     | 20.40          |
| 2 15/16        | 3247FT3                          | 3247FT1                                |                               |  |         |         |         |        |      |       |       |         |        |         |       |         | 19.80          |
| 3 7/16         | 3255FT3                          | 3255FT1                                | 6 3/4                         | 3 13/32  | 7 1/2   | 3 3/4   | 3 5/16  | 8 9/16 | 3/4  | 3/32  | 1     | 4 1/32  | 4 7/16 | 11 3/8  | 1/2   | 11 1/32 | 29.50          |

## Additional Notes

- Please call 1-866-REXNORD for availability
- For replacement insert number, omit housing suffix designation, i.e. 3210T1
- For short sleeves, add suffix "S", i.e. 3220FT1S
- For the Selection Guide, Load Ratings and Speed Limits, see the Link-Belt Flex-block Bearing Engineering section
- Note: Dimensions subject to change. Certified dimensions of ordered material furnished on request.

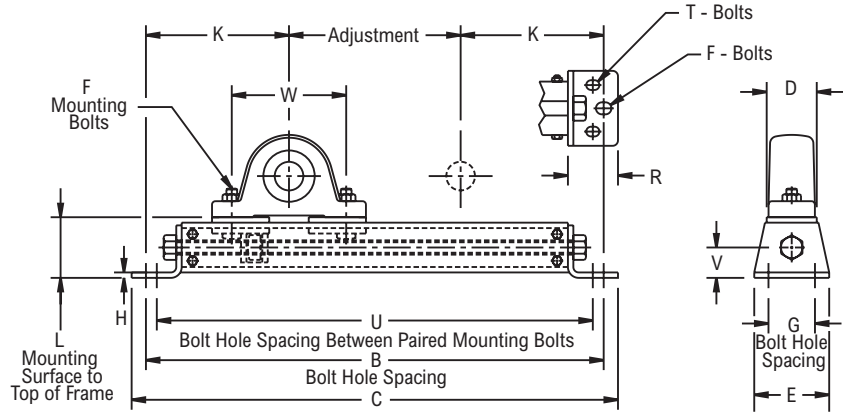
LC



Photo Shows a Light Duty Conveyor Take-Up Frame

**Product Features**

- Bolted steel frames
- 2 or 4-bolt frame mounting
- Bolt hole centers adjustable
- Pillow blocks not included
- See Features & Benefits for additional info.



**Bearing Dimensions**

| Size Code | Adjust. Length | Part Number | Bolt Hole Spacing |                   |                 | L Mounting Surface to Top of Frame | C       | D     | E     | F   | H    | K      | R      | T    | V       | W min | W max   | Approx. Weight |
|-----------|----------------|-------------|-------------------|-------------------|-----------------|------------------------------------|---------|-------|-------|-----|------|--------|--------|------|---------|-------|---------|----------------|
|           |                |             | B Frame           | G Width Direction | U Between Pairs |                                    |         |       |       |     |      |        |        |      |         |       |         |                |
| 205       | 6              | LC16        | 16                | 1 5/8             | 15 1/4          | 2 1/8                              | 17      | 1 3/4 | 2 5/8 | 3/8 | 3/16 | 5      | 1 3/4  | 5/16 | 1 1/16  | 3     | 5 15/16 | 5.25           |
|           | 9              | LC19        | 19                |                   | 18 1/4          |                                    | 20      |       |       |     |      |        |        |      |         |       |         | 6.30           |
|           | 12             | LC112       | 22                |                   | 21 1/4          |                                    | 23      |       |       |     |      |        |        |      |         |       |         | 6.60           |
| 210       | 6              | LC26        | 19 1/8            | 2 1/8             | 18 1/8          | 2 11/16                            | 20 1/4  | 2 3/8 | 3 1/8 | 1/2 | 1/4  | 6 9/16 | 2 3/16 | 3/8  | 1 11/32 | 3 3/4 | 7 1/4   | 10.00          |
|           | 9              | LC29        | 22 1/8            |                   | 21 1/8          |                                    | 23 1/4  |       |       |     |      |        |        |      |         |       |         | 10.20          |
|           | 12             | LC212       | 25 1/8            |                   | 24 1/8          |                                    | 26 1/4  |       |       |     |      |        |        |      |         |       |         | 11.50          |
|           | 18             | LC218       | 31 1/8            |                   | 30 1/8          |                                    | 32 1/4  |       |       |     |      |        |        |      |         |       |         | 13.80          |
| 211/212   | 9              | LC39        | 25 5/16           | 2 3/4             | 24 1/16         | 3 5/16                             | 26 9/16 | 3     | 4     | 5/8 | 5/16 | 8 5/32 | 2 3/4  | 1/2  | 1 5/8   | 4 1/4 | 9       | 20.40          |
|           | 12             | LC312       | 28 5/16           |                   | 27 1/16         |                                    | 29 9/16 |       |       |     |      |        |        |      |         |       |         | 22.25          |
|           | 18             | LC318       | 34 5/16           |                   | 33 1/16         |                                    | 35 9/16 |       |       |     |      |        |        |      |         |       |         | 26.50          |
|           | 24             | LC324       | 40 5/16           |                   | 39 1/16         |                                    | 41 9/16 |       |       |     |      |        |        |      |         |       |         | 33.00          |

**Additional Notes**

Please call 1-866-REXNORD for availability  
 For pillow block dimensions, see Pillow Block Ball Bearing section  
 Note: Dimensions subject to change. Certified dimensions of ordered material furnished on request.



**Industries Served**  
Heavy-Duty Truck  
Fluid Handling  
Off-Highway Vehicles  
Military  
Oil/Natural Gas  
Steel

# Link-Belt Series M1000, 1200, 1300, 1900, 5200, 5300, 6200, 7300 Cylindrical Roller Bearings

Metric series cylindrical roller bearings are manufactured to ABMA boundary dimensions. These bearings require minimum space and provide maximum rated capacity. Various configurations including separable inner or outer ring combinations offer ample application flexibility.



## High Quality Rings

Rings of high quality bearing steel for strength, toughness and durability.

## Microfinished Raceways Assure Smooth Operations

### Optimized Raceway Contact Area

Exclusive honed crown on roller profile for optimized raceway contact area and high capacity.

### Positive Roller Spacing

- Structural design segmented retainer provides high strength, positive roller spacing and guidance.
- One-piece formed Steel Retainer provides positive roller spacing and controlled roller guidance.

### Polymeric Retainer

Polymeric retainer of glass fiber reinforced nylon 6/6 provides full roller guidance, superior lubrication and reduced noise.

## Segmented Retainers

Rigid structural design segmented Steel Retainer provides high strength, positive roller spacing and guidance.

All contact surfaces are contoured to minimize the wiping action between retainer segments and rollers, assuring full roller lubrication. Precision spacer segments contact the rollers above and below pitch diameter resulting in low friction loss and positive roller control.



## Polymeric Retainers

Made of glass fiber reinforced nylon 6/6, molded polymeric retainers provide close control of roller "drop," low noise, full roller guidance and superior lubrication, at a competitive price.

Extensive testing has established compatibility with a broad range of standard lubricants and satisfactory operation at sustained temperatures to 275°F.



## Formed Steel Retainers

One-piece deep coined formed Steel Retainer combines strength with positive roller spacing and roller guidance.

The retainer guides the rollers below the pitch line and provides control of roller drop. Line contact of rollers on guidance surfaces minimizes wiping action and promotes hydrodynamic lubrication.



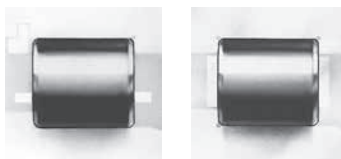
## Optional Series and Configurations

Series M cylindrical roller bearings are available in seven series with segmented retainers, five series with formed Steel Retainers, several series with polymeric retainers, and five series of the full roller complement type. Various configurations, including separable inner or outer ring combinations are offered.



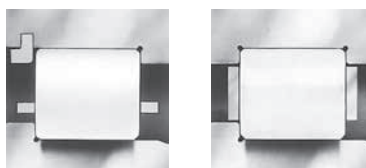
## Rollers

Exclusively crowned honed rollers provide optimized contact at the raceway. This assures efficient bearing performance under load, provides controlled stress distribution under all loads within the design capacity and compensates for shaft deflection.



## Rings

Rings are manufactured from high quality bearing steel to enhance fatigue resistance, strength, toughness and hardenability.



Bearings and ring and roller assemblies for omitted-ring applications are ABMA standard boundary plan for bore, outside diameter, and width... standard tolerances are RBEC-1. Precision tolerances to RBEC-5 are available.

## Nomenclature

| Symbol | Description   | M | A | 1 | 2 | 05 | GEA | X | C0 |  |
|--------|---|---|---|---|---|----|-----|---|----|--|
| M      | Metric series designation   |   |   |   |   |    |     |   |    |  |
| A      | Plain cylindrical inner ring  |   |   |   |   |    |     |   |    |  |
| R      | Single rib inner ring   |   |   |   |   |    |     |   |    |  |
| SN     | Short, single rib w/inner ring side plate   |   |   |   |   |    |     |   |    |  |
| U      | Double rib inner ring   |   |   |   |   |    |     |   |    |  |
| S      | Metric bore size of next smaller bearing  |   |   |   |   |    |     |   |    |  |
| None   | Standard capacity   |   |   |   |   |    |     |   |    |  |
| 6      | High capacity series  |   |   |   |   |    |     |   |    |  |
| 1      | Narrow width  |   |   |   |   |    |     |   |    |  |
| 5      | Wide width  |   |   |   |   |    |     |   |    |  |
| 7      | Intermediate width  |   |   |   |   |    |     |   |    |  |
| 0      | Extra light series  |   |   |   |   |    |     |   |    |  |
| 2      | Light series  |   |   |   |   |    |     |   |    |  |
| 3      | Medium series   |   |   |   |   |    |     |   |    |  |
| 9      | Extra extra light series  |   |   |   |   |    |     |   |    |  |
| 05     | One-fifth of bore diameter (mm)   |   |   |   |   |    |     |   |    |  |
| G      | Snap ring groove in outer ring O.D.   |   |   |   |   |    |     |   |    |  |
| GG     | Two snap ring grooves in outer ring O.D.  |   |   |   |   |    |     |   |    |  |
| R      | Snap ring groove in outer ring O.D. snap ring included  |   |   |   |   |    |     |   |    |  |
| RR     | Two snap ring grooves in outer ring O.D.; snap rings included   |   |   |   |   |    |     |   |    |  |
| C      | Plain cylindrical outer ring  |   |   |   |   |    |     |   |    |  |
| D      | Single rib outer ring   |   |   |   |   |    |     |   |    |  |
| E      | Double rib outer ring   |   |   |   |   |    |     |   |    |  |
| SN     | Short single rib w/outer ring side plate  |   |   |   |   |    |     |   |    |  |
| T      | Outer ring w/two retaining rings in I.D.  |   |   |   |   |    |     |   |    |  |
| U      | Single rib outer ring, one retaining ring in I.D.   |   |   |   |   |    |     |   |    |  |
| A      | Oversize O.D. outer ring  |   |   |   |   |    |     |   |    |  |
| H      | Blind dowel hole in outer ring O.D.   |   |   |   |   |    |     |   |    |  |
| X      | Segmented retainer  |   |   |   |   |    |     |   |    |  |
| M      | Full complement (no retainer)   |   |   |   |   |    |     |   |    |  |
| V      | Formed Steel Retainer   |   |   |   |   |    |     |   |    |  |
| B      | Polymeric retainer  |   |   |   |   |    |     |   |    |  |
| Wxxx   | This suffix specifies special bearing features  |   |   |   |   |    |     |   |    |  |
| None   | Standard commercial clearance   |   |   |   |   |    |     |   |    |  |
| C2     | Less than basic clearance   |   |   |   |   |    |     |   |    |  |
| C0     | Basic clearance   |   |   |   |   |    |     |   |    |  |
| C3     | Greater than basic clearance  |   |   |   |   |    |     |   |    |  |
| C4     | Greater than C3 clearance   |   |   |   |   |    |     |   |    |  |
| C5     | Greater than standard clearance (STANDARD FOR ASSEMBLY WITH "A" OUTER RING AND OMITTED IN MODEL NUMBER) |   |   |   |   |    |     |   |    |  |
| Cxxx   | Special specific clearance or range—i.e./C002 or/C35-49 or C3549  |   |   |   |   |    |     |   |    |  |

## Cylindrical Roller Bearings Selection Guide

To select a bearing, determine the applied radial load, any applied thrust load, the desired Rating Life, and applicable operating conditions. The procedure shown here will aid in selecting a bearing to meet an L10 design life. The formulas for calculating life expectancy should be used to determine the Rating Life L10 for the bearing selected. Cylindrical roller bearings are available in various series with cylindrical bores for direct shaft mounting.

Bearings in several series may fulfill the L10 life requirements. Speed limits, minimum shaft diameters, arrangement requirements and space limitations may be determining factors in final bearing selection. The selection procedures and rating formulas shown here are in agreement with The American Bearing Manufacturers Association Standards and ANSI/ABMA STD 11. Ratings are based on fatigue life. The Rating Life L10 or fatigue life at 90% reliability is the usual basis for bearing selection. Cylindrical roller bearings are essentially radial bearings. Nevertheless those styles where integral ribs are in the proper location

on inner and outer rings will also support thrust loading. In fact, most such styles do support incidental, axial locating loads. Whenever applied thrust loading is known to exist, the guidelines given for Thrust Loads on the next page must be carefully followed.

Selection and life expectancy formulas shown here are also valid for inner ring and roller assemblies and for outer ring and roller assemblies provided they are run directly on bearing quality steel shafts or housings properly hardened and ground. To assure a satisfactory bearing application, fitting practice, mounting, lubrication, sealing, static rating, housing strength, operating conditions and maintenance must be considered.

### Steps for Selection

#### Step 1

Determine an appropriate L10 design life.

| Type of service             | Operating time, hours per year | Design life, years | L10 design life, hours |
|-----------------------------|--------------------------------|--------------------|------------------------|
| Light seasonal usage        | 500 to 750                     | 3-5                | 3,000                  |
| Heavy seasonal usage        | 1,400 to 1,600                 | 4-6                | 8,000                  |
| Industrial—8 hour shift     | 2,000                          | 10                 | 20,000                 |
| Industrial—16 hour shift    | 4,000                          | 10                 | 40,000                 |
| Industrial—continuous       | 8,700                          | 10                 | 80,000 to 100,000      |
| Continuous—high reliability | —                              | —                  | 120,000 to 300,000     |

#### Step 2

Determine a required  $\left(\frac{C}{P}\right)$  from Table 1.

#### Step 3

Calculate the required C and select a cylindrical roller bearing.

$$P = Fr$$

required  $C = \left(\frac{C}{P}\right)P$  using  $\left(\frac{C}{P}\right)$  from Step 2.

Select a cylindrical roller bearing of the desired type having a Basic Load Rating C equal to or greater than the required C from the appropriate series. The life expectancy of other sizes and series of cylindrical roller bearings can be calculated. When thrust load is present, check the individual bearing thrust capacity and follow the requirements for lubrication under thrust conditions.

#### Step 4

Determine the permissible speed limit of the bearing through the following procedure:

Permissible speed limits are of practical value only when considered with other factors of bearing operation. Not every application functions satisfactorily at the listed speeds. Load, lubrication, and temperature factors influence the performance. Bearing operation at the listed speed limit demands excellent lubrication, moderate load, and reasonable temperature environment.

Permissible speed can be approximated from the limiting DN value, which is the product of the bearing bore in millimeters and the speed in RPM. The DN values shown below are nominal. For higher permissible speeds, consult Rexnord Bearing Division.

| Bearing series   | Limit of DN Value* |
|--|--------------------|
| DN value = Bearing bore (mm) x speed (RPM)             |                    |
| Series 1900, 1000, 1200, 1300 & 7300                   |                    |
| with segmented or polymeric retainer                   | 450,000            |
| with formed Steel Retainer                             | 250,000            |
| Series 5200, 6200, and 5300                            |                    |
| with segmented or polymeric retainer (5200, 5300 only) | 330,000            |
| with formed Steel Retainer                             | 180,000            |
| Full complement  | 150,000            |

\*These values assume oil lubrication

## Selection

### Symbols for formulas:

- C = Basic Load Rating, pounds (or newtons)
- Co = static Load Rating, pounds (or newtons)
- Fr = radial load, pounds (or newtons)
- L10 = rating life, hours
- n = speed, revolutions per minute
- P = equivalent radial load, pounds (or newtons)

**Table 1 • Relation of L<sub>10</sub> life and speed to  $\left(\frac{C}{P}\right)$**

| Bearing life hours L <sub>10</sub> | Ratio $\left(\frac{C}{P}\right)$ |       |       |       |       |       |       |       |       |  |
|------------------------------------|----------------------------------|-------|-------|-------|-------|-------|-------|-------|-------|--|
|                                    | Speed, n                         |       |       |       |       |       |       |       |       |  |
|                                    | 50                               | 100   | 200   | 300   | 400   | 500   | 600   | 700   | 800   |  |
| 3000                               | 1.93                             | 2.38  | 2.93  | 3.31  | 3.61  | 3.86  | 4.07  | 4.27  | 4.44  |  |
| 4000                               | 2.11                             | 2.59  | 3.19  | 3.61  | 3.93  | 4.20  | 4.44  | 4.65  | 4.84  |  |
| 5000                               | 2.25                             | 2.77  | 3.42  | 3.86  | 4.20  | 4.50  | 4.75  | 4.97  | 5.18  |  |
| 6000                               | 2.38                             | 2.93  | 3.61  | 4.07  | 4.44  | 4.75  | 5.02  | 5.25  | 5.47  |  |
| 8000                               | 2.59                             | 3.19  | 3.93  | 4.44  | 4.84  | 5.18  | 5.47  | 5.73  | 5.96  |  |
| 10000                              | 2.77                             | 3.42  | 4.20  | 4.75  | 5.18  | 5.54  | 5.85  | 6.12  | 6.37  |  |
| 12000                              | 2.93                             | 3.61  | 4.44  | 5.02  | 5.47  | 5.85  | 6.18  | 6.47  | 6.73  |  |
| 14000                              | 3.07                             | 3.78  | 4.65  | 5.25  | 5.73  | 6.12  | 6.47  | 6.77  | 7.05  |  |
| 16000                              | 3.19                             | 3.93  | 4.84  | 5.47  | 5.96  | 6.37  | 6.73  | 7.05  | 7.34  |  |
| 18000                              | 3.31                             | 4.07  | 5.02  | 5.66  | 6.18  | 6.60  | 6.97  | 7.30  | 7.60  |  |
| 20000                              | 3.42                             | 4.20  | 5.18  | 5.85  | 6.37  | 6.81  | 7.20  | 7.54  | 7.85  |  |
| 25000                              | 3.65                             | 4.50  | 5.54  | 6.25  | 6.81  | 7.29  | 7.70  | 8.06  | 8.39  |  |
| 30000                              | 3.86                             | 4.75  | 5.85  | 6.60  | 7.20  | 7.70  | 8.13  | 8.51  | 8.86  |  |
| 35000                              | 4.04                             | 4.97  | 6.12  | 6.92  | 7.54  | 8.06  | 8.51  | 8.92  | 9.28  |  |
| 40000                              | 4.20                             | 5.18  | 6.37  | 7.20  | 7.85  | 8.39  | 8.86  | 9.28  | 9.66  |  |
| 45000                              | 4.36                             | 5.36  | 6.60  | 7.46  | 8.13  | 8.69  | 9.18  | 9.61  | 10.00 |  |
| 50000                              | 4.50                             | 5.54  | 6.81  | 7.70  | 8.39  | 8.97  | 9.48  | 9.92  | 10.30 |  |
| 60000                              | 4.75                             | 5.85  | 7.20  | 8.13  | 8.86  | 9.48  | 10.00 | 10.5  | 10.90 |  |
| 70000                              | 4.97                             | 6.12  | 7.54  | 8.51  | 9.28  | 9.92  | 10.50 | 11.00 | 11.40 |  |
| 80000                              | 5.18                             | 6.37  | 7.85  | 8.86  | 9.66  | 10.30 | 10.90 | 11.40 | 11.90 |  |
| 90000                              | 5.36                             | 6.60  | 8.13  | 9.18  | 10.00 | 10.70 | 11.30 | 11.80 | 12.30 |  |
| 100000                             | 5.54                             | 6.81  | 8.39  | 9.48  | 10.30 | 11.00 | 11.70 | 12.20 | 12.70 |  |
| 150000                             | 6.25                             | 7.70  | 9.48  | 10.70 | 11.70 | 12.50 | 13.20 | 13.80 | 14.40 |  |
| 200000                             | 6.81                             | 8.39  | 10.30 | 11.70 | 12.70 | 13.60 | 14.40 | 15.00 | 15.70 |  |
|                                    | Speed, n                         |       |       |       |       |       |       |       |       |  |
|                                    | 900                              | 1000  | 1200  | 1500  | 1800  | 2400  | 3000  | 3600  | 6000  |  |
| 3000                               | 4.60                             | 4.75  | 5.02  | 5.36  | 5.66  | 6.18  | 6.60  | 6.97  | 8.13  |  |
| 4000                               | 5.02                             | 5.18  | 5.47  | 5.85  | 6.18  | 6.73  | 7.20  | 7.60  | 8.86  |  |
| 5000                               | 5.36                             | 5.54  | 5.85  | 6.25  | 6.60  | 7.20  | 7.70  | 8.13  | 9.48  |  |
| 6000                               | 5.66                             | 5.85  | 6.18  | 6.60  | 6.97  | 7.60  | 8.13  | 8.59  | 10.00 |  |
| 8000                               | 6.18                             | 6.37  | 6.73  | 7.20  | 7.60  | 8.29  | 8.86  | 9.36  | 10.90 |  |
| 10000                              | 6.60                             | 6.81  | 7.20  | 7.70  | 8.13  | 8.86  | 9.48  | 10.00 | 11.70 |  |
| 12000                              | 6.97                             | 7.20  | 7.60  | 8.13  | 8.59  | 9.36  | 10.00 | 10.60 | 12.30 |  |
| 14000                              | 7.30                             | 7.54  | 7.96  | 8.51  | 8.99  | 9.80  | 10.50 | 11.10 | 12.90 |  |
| 16000                              | 7.60                             | 7.85  | 8.29  | 8.86  | 9.36  | 10.20 | 10.90 | 11.50 | 13.40 |  |
| 18000                              | 7.88                             | 8.13  | 8.59  | 9.18  | 9.70  | 10.60 | 11.30 | 11.90 | 13.90 |  |
| 20000                              | 8.13                             | 8.39  | 8.86  | 9.48  | 10.00 | 10.90 | 11.70 | 12.30 | 14.40 |  |
| 25000                              | 8.69                             | 8.97  | 9.48  | 10.10 | 10.70 | 11.70 | 12.50 | 13.20 | 15.40 |  |
| 30000                              | 9.18                             | 9.48  | 10.00 | 10.70 | 11.30 | 12.30 | 13.20 | 13.90 | 16.20 |  |
| 35000                              | 9.61                             | 9.92  | 10.50 | 11.20 | 11.80 | 12.90 | 13.80 | 14.60 | 17.00 |  |
| 40000                              | 10.00                            | 10.30 | 10.90 | 11.70 | 12.30 | 13.40 | 14.40 | 15.20 | 17.70 |  |
| 45000                              | 10.40                            | 10.70 | 11.30 | 12.10 | 12.80 | 13.90 | 14.90 | 15.70 | 18.30 |  |
| 50000                              | 10.70                            | 11.00 | 11.70 | 12.50 | 13.20 | 14.40 | 15.40 | 16.20 | 18.90 |  |
| 60000                              | 11.30                            | 11.70 | 12.30 | 13.20 | 13.90 | 15.20 | 16.20 | 17.10 | 20.00 |  |
| 70000                              | 11.80                            | 12.20 | 12.90 | 13.80 | 14.60 | 15.90 | 17.00 | 17.90 | 20.90 |  |
| 80000                              | 12.30                            | 12.70 | 13.40 | 14.40 | 15.20 | 16.50 | 17.70 | 18.70 | 21.80 |  |
| 90000                              | 12.80                            | 13.20 | 13.90 | 14.90 | 15.70 | 17.10 | 18.30 | 19.40 | 22.60 |  |
| 100000                             | 13.20                            | 13.60 | 14.40 | 15.40 | 16.20 | 17.70 | 18.90 | 20.00 | 23.30 |  |
| 150000                             | 14.90                            | 15.40 | 16.20 | 17.30 | 18.30 | 20.00 | 21.40 | 22.60 | 26.30 |  |
| 200000                             | 16.20                            | 16.70 | 17.70 | 18.90 | 20.00 | 21.80 | 23.30 | 24.60 | 28.70 |  |

## Basic Formulas

$$\left(\frac{C}{P}\right) = \left(\frac{L_{10} \times n \times 60}{1,000,000}\right)^{3/10}$$

$$L_{10} = \frac{\left(\frac{C}{P}\right)^{10/3} \times 1,000,000}{n \times 60}$$

## Life Expectancy

To calculate the Rating Life L<sub>10</sub> of any pair of selected or trial bearings:

### Step 1

Determine the equivalent radial load P.

$$P = F_r$$

**Step 2** Calculate the ratio of the bearing Basic Load Rating C to the equivalent radial load.

$$\frac{C}{P}$$

### Step 3

Approximate the bearing life from Table 1.

## Thrust Loads

The integral guiding ribs on standard cylindrical roller bearing inner and outer rings will support limited thrust loads. In addition, special tolerances and processing can be used to substantially increase axial load capacity. In either case, excellent lubrication (preferably with an EP lubricant) and a stabilizing radial load are required. For standard bearings, the allowable thrust load is estimated as

$$TM = \frac{C_A}{3n^{0.3}}$$

- where TM Maximum allowable thrust load, pounds (or newtons)
- C<sub>A</sub> Load rating C (pounds or newtons) of the narrowest series for the given annulus (O.D. and bore) at 33 1/3 RPM and 500L<sub>10</sub> hours.
- n Operating speed, RPM

In addition, the thrust load should be no greater than 25% of the radial load. Where application conditions exceed either of these limits, Rexnord Bearing Division should be consulted.

## Life Adjustment

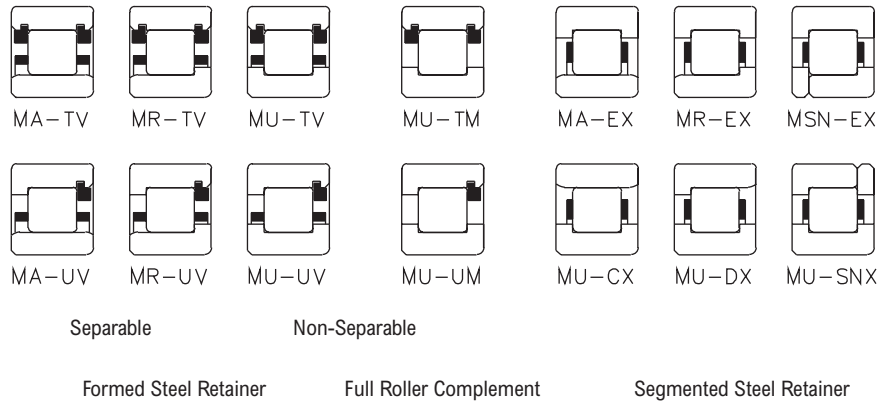
The Rating Life, L<sub>10</sub>, may be modified for some applications in accordance with the formula

$$L_n = a_1 a_2 a_3 L_{10}$$

- where L<sub>n</sub> = Adjusted life for (100-n) % reliability,
- a<sub>1</sub> = Life adjustment factor for reliability
- a<sub>2</sub> = Life adjustment factor for material and processing
- a<sub>3</sub> = Life adjustment factor for operating conditions.

For most normal applications, all factors will be taken as 1, and the Rating Life used as the selection basis or life estimate. In addition, as long as standard catalog bearings are used, a<sub>2</sub> will be normally set equal to one. The factor a<sub>3</sub> covers such things as lubrication, misalignment, and temperature. Some conditions that could yield a<sub>3</sub> significantly different than unity include speeds less than 20000 DN or greater than 200000 DN, temperatures below -40°F (-40°C) or above 275°F (135°C), or misalignment greater than 0.0005 radians. For other possible conditions, as well as additional information on life adjustment factors, consult Rexnord Bearing Division.

**Ratings 25mm, 30mm, 35mm, 40mm Bores**

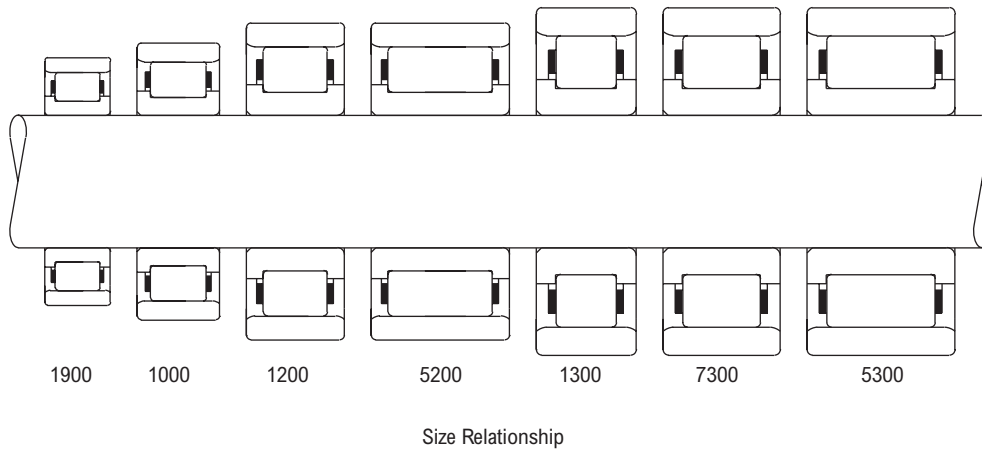


**pounds/newtons**

| Basic bearing number | Formed Steel Retainer |   |                             |                     |   |                             | Segmented Steel Retainer |   |                             | Full Roller Complement |   |                             |
|----------------------|-----------------------|---|-----------------------------|---------------------|---|-----------------------------|--------------------------|---|-----------------------------|------------------------|---|-----------------------------|
|                      | Separable             |   |                             | Non-separable       |   |                             | C Basic Load Rating      | Bearing Capacity 500 RPM, 3000 Hrs. L <sub>10</sub> | Co Basic Static Load Rating | C Basic Load Rating    | Bearing Capacity 500 RPM, 3000 Hrs. L <sub>10</sub> | Co Basic Static Load Rating |
|                      | C Basic Load Rating   | Bearing Capacity 500 RPM, 3000 Hrs. L <sub>10</sub> | Co Basic Static Load Rating | C Basic Load Rating | Bearing Capacity 500 RPM, 3000 Hrs. L <sub>10</sub> | Co Basic Static Load Rating |                          |   |                             |                        |   |                             |
| 1205                 | 4330                  | 1120  | 5220                        | 5280                | 1370  | 5220                        | 6170                     | 1600  | 6430                        | 7020                   | 1820  | 7630                        |
|                      | 19200                 | 4980  | 23200                       | 23500               | 6080  | 23200                       | 27500                    | 7110  | 28600                       | 31200                  | 8090  | 33900                       |
| 5205                 | 5930                  | 1540  | 7830                        | 7240                | 1880  | 7830                        | 8460                     | 2190  | 9640                        | 9620                   | 2490  | 11400                       |
|                      | 26400                 | 6830  | 34800                       | 32200               | 8340  | 34800                       | 37600                    | 9750  | 42900                       | 42800                  | 11100   | 50900                       |
| 1305                 | 6310                  | 1630  | 6690                        | 7710                | 2000  | 6690                        | 8840                     | 2290  | 8030                        | 9920                   | 2570  | 9370                        |
|                      | 28100                 | 7270  | 29800                       | 34300               | 8880  | 29800                       | 39300                    | 10200   | 35700                       | 44100                  | 11400   | 41700                       |
| 7305                 | 8070                  | 2090  | 9180                        | 9850                | 2550  | 9180                        | 11300                    | 2930  | 11000                       | 12700                  | 3280  | 12800                       |
|                      | 35900                 | 9300  | 40800                       | 43800               | 11400   | 40800                       | 50200                    | 13000   | 49000                       | 56400                  | 14600   | 57100                       |
| 5305                 | 9720                  | 2520  | 11700                       | 11900               | 3070  | 11700                       | 13600                    | 3530  | 14000                       | 15300                  | 3960  | 16300                       |
|                      | 43200                 | 11200   | 51900                       | 52800               | 13700   | 51900                       | 60500                    | 15700   | 62300                       | 68100                  | 17600   | 72500                       |
| 1206                 | 5990                  | 1550  | 7170                        | 7320                | 1900  | 7170                        | 8150                     | 2110  | 8270                        | 9340                   | 2420  | 9930                        |
|                      | 26700                 | 6910  | 31900                       | 32600               | 8430  | 31900                       | 36200                    | 9390  | 36800                       | 41600                  | 10800   | 44200                       |
| 5206                 | 9040                  | 2340  | 12200                       | 11000               | 2860  | 12200                       | 12300                    | 3180  | 14000                       | 14100                  | 3650  | 16800                       |
|                      | 40200                 | 10400   | 54100                       | 49100               | 12700   | 54100                       | 54700                    | 14200   | 62500                       | 62700                  | 16200   | 74900                       |
| 1306                 | 7970                  | 2060  | 9270                        | 9730                | 2520  | 9270                        | 10300                    | 2680  | 10000                       | 12100                  | 3130  | 12400                       |
|                      | 35400                 | 9180  | 41200                       | 43300               | 11200   | 41200                       | 45900                    | 11900   | 44700                       | 53700                  | 13900   | 55000                       |
| 7306                 | 10500                 | 2720  | 13200                       | 12800               | 3320  | 13200                       | 13600                    | 3530  | 14400                       | 15900                  | 4130  | 17700                       |
|                      | 46800                 | 12100   | 58900                       | 57100               | 14800   | 58900                       | 60600                    | 15700   | 63800                       | 70700                  | 18400   | 78700                       |
| 5306                 | 12800                 | 3320  | 17100                       | 15700               | 4060  | 17100                       | 16600                    | 4310  | 18500                       | 19400                  | 5030  | 22800                       |
|                      | 57000                 | 14800   | 76100                       | 69600               | 18000   | 76100                       | 74000                    | 19200   | 82400                       | 86400                  | 22400   | 101000                      |
| 1207                 | 6840                  | 1770  | 8030                        | 8350                | 2160  | 8030                        | 9290                     | 2410  | 9270                        | 10700                  | 2760  | 11100                       |
|                      | 30400                 | 7870  | 35700                       | 37100               | 9610  | 35700                       | 41300                    | 10700   | 41200                       | 47400                  | 12300   | 49500                       |
| 5207                 | 11300                 | 2920  | 15300                       | 13800               | 3570  | 15300                       | 15300                    | 3970  | 17700                       | 17600                  | 4560  | 21200                       |
|                      | 50200                 | 13000   | 68100                       | 61300               | 15900   | 68100                       | 68300                    | 17700   | 78600                       | 78300                  | 20300   | 94300                       |
| 1307                 | 9840                  | 2550  | 12000                       | 12000               | 3110  | 12000                       | 13500                    | 3490  | 14000                       | 15600                  | 4040  | 17000                       |
|                      | 43800                 | 11300   | 53400                       | 53400               | 13800   | 53400                       | 60000                    | 15500   | 62400                       | 69400                  | 18000   | 75700                       |
| 7307                 | 13800                 | 3580  | 18700                       | 16900               | 4380  | 18700                       | 17900                    | 4630  | 20100                       | 20700                  | 5350  | 24400                       |
|                      | 61500                 | 15900   | 83100                       | 75100               | 19500   | 83100                       | 79400                    | 20600   | 89500                       | 91900                  | 23800   | 109000                      |
| 5307                 | 15900                 | 4120  | 22400                       | 19400               | 5030  | 22400                       | 20500                    | 5320  | 24100                       | 23800                  | 6150  | 29200                       |
|                      | 70800                 | 18300   | 99400                       | 86400               | 22400   | 99400                       | 91400                    | 23700   | 107000                      | 106000                 | 27400   | 130000                      |
| 1208                 | 8270                  | 2140  | 10200                       | 10100               | 2620  | 10200                       | 11200                    | 2890  | 11600                       | 12700                  | 3290  | 13800                       |
|                      | 36800                 | 9530  | 45300                       | 44900               | 11600   | 45300                       | 49700                    | 12900   | 51800                       | 56500                  | 14600   | 61500                       |
| 5208                 | 14300                 | 3710  | 20700                       | 17500               | 4530  | 20700                       | 19400                    | 5010  | 23600                       | 22000                  | 5700  | 28000                       |
|                      | 63800                 | 16500   | 91900                       | 77900               | 20200   | 91900                       | 86100                    | 22300   | 105000                      | 97900                  | 25400   | 125000                      |
| 1308                 | 12600                 | 3260  | 15200                       | 15400               | 3980  | 15200                       | 16300                    | 4230  | 16400                       | 19100                  | 4940  | 20200                       |
|                      | 56000                 | 14500   | 67500                       | 68400               | 17700   | 67500                       | 72600                    | 18800   | 73100                       | 84800                  | 22000   | 90000                       |
| 7308                 | 17900                 | 4630  | 23800                       | 21800               | 5660  | 23800                       | 23200                    | 6010  | 25800                       | 27100                  | 7020  | 31800                       |
|                      | 79600                 | 20600   | 106000                      | 97200               | 25200   | 106000                      | 103000                   | 26700   | 115000                      | 121000                 | 31200   | 141000                      |
| 5308                 | 20000                 | 5190  | 27600                       | 24500               | 6330  | 27600                       | 26000                    | 6720  | 29900                       | 30300                  | 7860  | 36800                       |
|                      | 89100                 | 23100   | 123000                      | 109000              | 28200   | 123000                      | 115000                   | 29900   | 133000                      | 135000                 | 35000   | 163000                      |



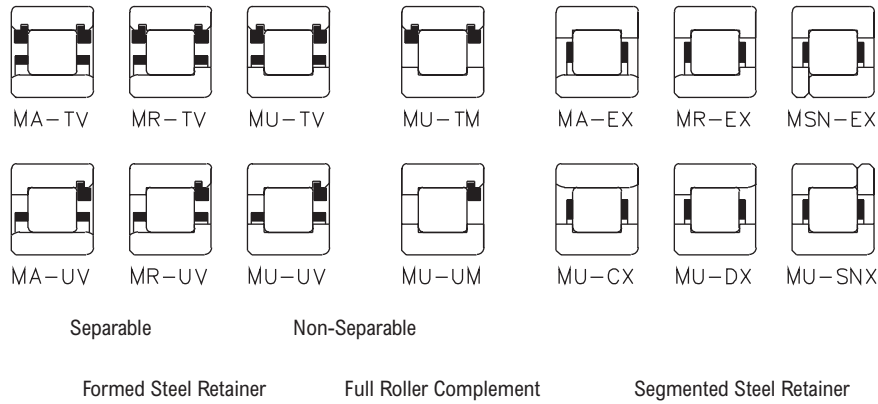
Ratings 45mm, 50mm, 55mm Bores



pounds/newtons

| Basic bearing number | Formed Steel Retainer  |  |                                |                        |  |                                | Segmented Steel Retainer |  |                                | Full Roller Complement |  |                                |
|----------------------|------------------------|--|--------------------------------|------------------------|--|--------------------------------|--------------------------|--|--------------------------------|------------------------|--|--------------------------------|
|                      | Separable              |  |                                | Non-separable          |  |                                | C<br>Basic Load Rating   | Bearing Capacity<br>500 RPM,<br>3000 Hrs.<br>L <sub>10</sub> | Co<br>Basic Static Load Rating | C<br>Basic Load Rating | Bearing Capacity<br>500 RPM,<br>3000 Hrs.<br>L <sub>10</sub> | Co<br>Basic Static Load Rating |
|                      | C<br>Basic Load Rating | Bearing Capacity<br>500 RPM,<br>3000 Hrs.<br>L <sub>10</sub> | Co<br>Basic Static Load Rating | C<br>Basic Load Rating | Bearing Capacity<br>500 RPM,<br>3000 Hrs.<br>L <sub>10</sub> | Co<br>Basic Static Load Rating |                          |  |                                |                        |  |                                |
| 1209                 | 9670                   | 2500   | 12900                          | 11800                  | 3060   | 12900                          | 12900                    | 3340   | 14500                          | 14500                  | 3750   | 16900                          |
|                      | 43000                  | 11100  | 57300                          | 52500                  | 13600  | 57300                          | 57400                    | 14900  | 64500                          | 64400                  | 16700  | 75200                          |
| 5209                 | 15600                  | 4030   | 23800                          | 19000                  | 4920   | 23800                          | 20800                    | 5380   | 26700                          | 23300                  | 6040   | 31200                          |
|                      | 69200                  | 17900  | 106000                         | 84500                  | 21900  | 106000                         | 92300                    | 23900  | 119000                         | 104000                 | 26800  | 139000                         |
| 1309                 | 15900                  | 4120   | 20400                          | 19400                  | 5040   | 20400                          | 20600                    | 5320   | 22000                          | 23800                  | 6160   | 26700                          |
|                      | 70800                  | 18300  | 90900                          | 86500                  | 22400  | 90900                          | 91400                    | 23700  | 97900                          | 106000                 | 27400  | 119000                         |
| 7309                 | 20300                  | 5260   | 28000                          | 24800                  | 6430   | 28000                          | 26200                    | 6790   | 30100                          | 30300                  | 7860   | 36600                          |
|                      | 90400                  | 23400  | 124000                         | 110000                 | 28600  | 124000                         | 117000                   | 30200  | 134000                         | 135000                 | 35000  | 163000                         |
| 5309                 | 24800                  | 6440   | 36200                          | 30300                  | 7860   | 36200                          | 32100                    | 8310   | 39000                          | 37100                  | 9610   | 47400                          |
|                      | 111000                 | 28600  | 161000                         | 135000                 | 35000  | 161000                         | 143000                   | 37000  | 174000                         | 165000                 | 42700  | 211000                         |
| 1010                 | .....                  | .....  | .....                          | .....                  | .....  | .....                          | 8840                     | 2290   | 11100                          | .....                  | .....  | .....                          |
|                      | .....                  | .....  | .....                          | .....                  | .....  | .....                          | 39300                    | 10200  | 49400                          | .....                  | .....  | .....                          |
| 1210                 | 9830                   | 2550   | 13600                          | 12000                  | 3110   | 13600                          | 13000                    | 3380   | 15200                          | 15100                  | 3900   | 18400                          |
|                      | 43700                  | 11300  | 60600                          | 53400                  | 13800  | 60600                          | 58000                    | 15000  | 67700                          | 67000                  | 17300  | 82000                          |
| 5210                 | 15800                  | 4100   | 25100                          | 19300                  | 5000   | 25100                          | 21000                    | 5440   | 28100                          | 24200                  | 6280   | 34000                          |
|                      | 70400                  | 18200  | 112000                         | 85900                  | 22300  | 112000                         | 93400                    | 24200  | 125000                         | 108000                 | 27900  | 151000                         |
| 1310                 | 18600                  | 4810   | 24000                          | 22700                  | 5870   | 24000                          | 23900                    | 6200   | 25900                          | 27700                  | 7170   | 31400                          |
|                      | 82500                  | 21400  | 107000                         | 101000                 | 26100  | 107000                         | 107000                   | 27600  | 115000                         | 123000                 | 31900  | 140000                         |
| 7310                 | 24000                  | 6220   | 33500                          | 29300                  | 7590   | 33500                          | 31000                    | 8030   | 36000                          | 35900                  | 9290   | 43800                          |
|                      | 107000                 | 27700  | 149000                         | 130000                 | 33800  | 149000                         | 138000                   | 35700  | 160000                         | 159000                 | 41300  | 195000                         |
| 5310                 | 29300                  | 7600   | 43300                          | 35800                  | 9280   | 43300                          | 37900                    | 9810   | 46600                          | 43800                  | 11300  | 56600                          |
|                      | 131000                 | 33800  | 193000                         | 159000                 | 41300  | 193000                         | 169000                   | 43600  | 207000                         | 195000                 | 50500  | 252000                         |
| 1911                 | .....                  | .....  | .....                          | .....                  | .....  | .....                          | 6960                     | 1800   | 9570                           | .....                  | .....  | .....                          |
|                      | .....                  | .....  | .....                          | .....                  | .....  | .....                          | 31000                    | 8020   | 42600                          | .....                  | .....  | .....                          |
| 1011                 | .....                  | .....  | .....                          | .....                  | .....  | .....                          | 11200                    | 2890   | 14300                          | .....                  | .....  | .....                          |
|                      | .....                  | .....  | .....                          | .....                  | .....  | .....                          | 49800                    | 12900  | 63400                          | .....                  | .....  | .....                          |
| 1211                 | 11700                  | 3040   | 16400                          | 1430                   | 3710   | 16400                          | 15600                    | 4030   | 18400                          | 18000                  | 4650   | 22300                          |
|                      | 52200                  | 13500  | 73200                          | 63700                  | 16500  | 73200                          | 69200                    | 17900  | 81800                          | 79900                  | 20700  | 99000                          |
| 5211                 | 19200                  | 4960   | 30900                          | 23400                  | 6060   | 30900                          | 25400                    | 6590   | 34600                          | 29400                  | 7600   | 41900                          |
|                      | 85300                  | 22100  | 138000                         | 104000                 | 27000  | 138000                         | 113000                   | 29300  | 154000                         | 131000                 | 33800  | 186000                         |
| 1311                 | 21900                  | 5680   | 28800                          | 26800                  | 6930   | 28800                          | 26800                    | 6930   | 28800                          | 31000                  | 8020   | 35000                          |
|                      | 97500                  | 25300  | 128000                         | 119000                 | 30800  | 128000                         | 119000                   | 30800  | 128000                         | 138000                 | 35700  | 156000                         |
| 7311                 | 29300                  | 7590   | 41800                          | 35800                  | 9270   | 41800                          | 35800                    | 9270   | 41800                          | 41400                  | 10700  | 50800                          |
|                      | 130000                 | 33800  | 186000                         | 159000                 | 41200  | 186000                         | 159000                   | 41200  | 186000                         | 184000                 | 47700  | 226000                         |
| 5311                 | 38100                  | 9860   | 58600                          | 46500                  | 12000  | 58600                          | 46500                    | 12000  | 58600                          | 53800                  | 13900  | 71100                          |
|                      | 169000                 | 43900  | 260000                         | 207000                 | 53500  | 260000                         | 207000                   | 53500  | 260000                         | 239000                 | 61900  | 316000                         |

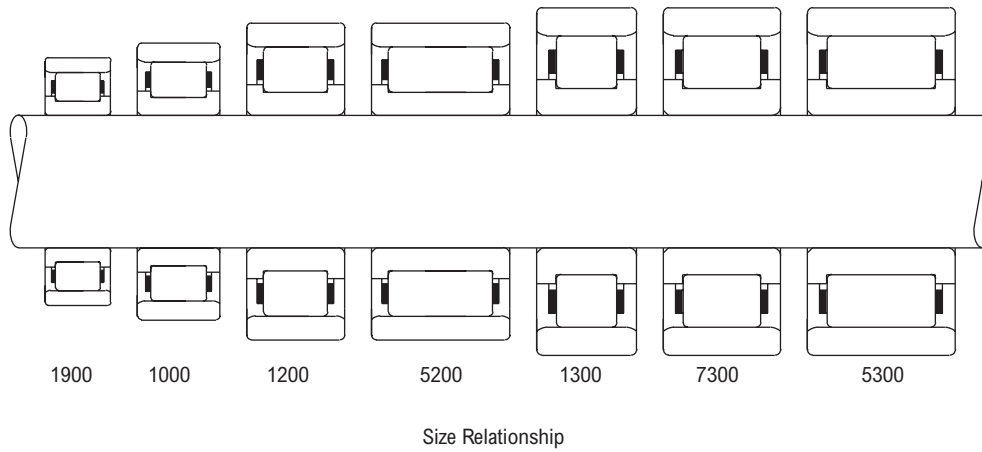
**Ratings 60mm, 65mm, 70mm Bores**



**pounds/newtons**

| Basic bearing number | Formed Steel Retainer |   |                             |                     |   |                             | Segmented Steel Retainer |   |                             | Full Roller Complement |   |                             |
|----------------------|-----------------------|---|-----------------------------|---------------------|---|-----------------------------|--------------------------|---|-----------------------------|------------------------|---|-----------------------------|
|                      | Separable             |   |                             | Non-separable       |   |                             | C Basic Load Rating      | Bearing Capacity 500 RPM, 3000 Hrs. L <sub>10</sub> | Co Basic Static Load Rating | C Basic Load Rating    | Bearing Capacity 500 RPM, 3000 Hrs. L <sub>10</sub> | Co Basic Static Load Rating |
|                      | C Basic Load Rating   | Bearing Capacity 500 RPM, 3000 Hrs. L <sub>10</sub> | Co Basic Static Load Rating | C Basic Load Rating | Bearing Capacity 500 RPM, 3000 Hrs. L <sub>10</sub> | Co Basic Static Load Rating |                          |   |                             |                        |   |                             |
| 1912                 | .....                 | .....   | .....                       | .....               | .....   | .....                       | 7200                     | 1870  | 10300                       | .....                  | .....   | .....                       |
|                      | .....                 | .....   | .....                       | .....               | .....   | .....                       | 32000                    | 8300  | 45600                       | .....                  | .....   | .....                       |
| 1012                 | .....                 | .....   | .....                       | .....               | .....   | .....                       | 11700                    | 3040  | 15600                       | .....                  | .....   | .....                       |
|                      | .....                 | .....   | .....                       | .....               | .....   | .....                       | 52200                    | 13500   | 69200                       | .....                  | .....   | .....                       |
| 1212                 | 14500                 | 3760  | 19600                       | 17700               | 4590  | 19600                       | 19400                    | 5020  | 22100                       | 21700                  | 5630  | 25800                       |
|                      | 64600                 | 16700   | 87400                       | 78900               | 20400   | 87400                       | 86100                    | 22300   | 98300                       | 96700                  | 25000   | 115000                      |
| 5212                 | 24700                 | 6390  | 38900                       | 30100               | 7800  | 38900                       | 32900                    | 8520  | 43700                       | 36900                  | 9570  | 51000                       |
|                      | 110000                | 28400   | 173000                      | 134000              | 34700   | 173000                      | 146000                   | 37900   | 194000                      | 164000                 | 42600   | 227000                      |
| 1312                 | 24900                 | 6450  | 32800                       | 30400               | 7880  | 32800                       | 32100                    | 8330  | 35300                       | 37200                  | 9630  | 42900                       |
|                      | 111000                | 28700   | 146000                      | 135000              | 35500   | 146000                      | 143000                   | 37000   | 157000                      | 165000                 | 42800   | 191000                      |
| 7312                 | 32600                 | 8450  | 46400                       | 39800               | 10300   | 46400                       | 42100                    | 10900   | 50000                       | 48700                  | 12600   | 60700                       |
|                      | 145000                | 37600   | 206000                      | 177000              | 45900   | 206000                      | 187000                   | 48500   | 222000                      | 217000                 | 56100   | 270000                      |
| 5312                 | 43900                 | 11400   | 68000                       | 53600               | 13900   | 68000                       | 56600                    | 14700   | 73200                       | 65500                  | 17000   | 88900                       |
|                      | 195000                | 50500   | 302000                      | 238000              | 61700   | 302000                      | 252000                   | 65200   | 326000                      | 291000                 | 75500   | 395000                      |
| 1913                 | .....                 | .....   | .....                       | .....               | .....   | .....                       | 7600                     | 1970  | 11200                       | .....                  | .....   | .....                       |
|                      | .....                 | .....   | .....                       | .....               | .....   | .....                       | 33800                    | 8750  | 50000                       | .....                  | .....   | .....                       |
| 1013                 | .....                 | .....   | .....                       | .....               | .....   | .....                       | 12000                    | 3100  | 16300                       | .....                  | .....   | .....                       |
|                      | .....                 | .....   | .....                       | .....               | .....   | .....                       | 53200                    | 13800   | 72400                       | .....                  | .....   | .....                       |
| 1213                 | 16800                 | 4360  | 24400                       | 20500               | 5320  | 24400                       | 21400                    | 5540  | 25800                       | 24700                  | 6390  | 31200                       |
|                      | 74800                 | 19400   | 109000                      | 91400               | 23700   | 109000                      | 95100                    | 24600   | 115000                      | 110000                 | 28400   | 139000                      |
| 5213                 | 26800                 | 6930  | 44400                       | 32700               | 8460  | 44400                       | 34000                    | 8810  | 46800                       | 39300                  | 10200   | 56700                       |
|                      | 119000                | 30800   | 197000                      | 145000              | 37600   | 197000                      | 151000                   | 39200   | 208000                      | 175000                 | 45200   | 252000                      |
| 1313                 | 30800                 | 7970  | 41900                       | 37600               | 9730  | 41900                       | 37600                    | 9730  | 41900                       | 43400                  | 11300   | 50900                       |
|                      | 137000                | 35400   | 186000                      | 167000              | 43300   | 186000                      | 167000                   | 43300   | 186000                      | 193000                 | 50100   | 226000                      |
| 7313                 | 39200                 | 10100   | 57200                       | 47800               | 12400   | 57200                       | 47800                    | 12400   | 57200                       | 55300                  | 14300   | 69400                       |
|                      | 174000                | 45100   | 254000                      | 213000              | 55100   | 254000                      | 213000                   | 55100   | 254000                      | 246000                 | 63700   | 309000                      |
| 5313                 | 54900                 | 14200   | 88200                       | 67000               | 17300   | 88200                       | 67000                    | 17300   | 88200                       | 77500                  | 20100   | 107000                      |
|                      | 244000                | 63200   | 392000                      | 298000              | 77200   | 392000                      | 298000                   | 77200   | 392000                      | 345000                 | 89300   | 476000                      |
| 1914                 | .....                 | .....   | .....                       | .....               | .....   | .....                       | 10900                    | 2810  | 15800                       | .....                  | .....   | .....                       |
|                      | .....                 | .....   | .....                       | .....               | .....   | .....                       | 48300                    | 12500   | 70400                       | .....                  | .....   | .....                       |
| 1014                 | .....                 | .....   | .....                       | .....               | .....   | .....                       | 14600                    | 3770  | 18600                       | .....                  | .....   | .....                       |
|                      | .....                 | .....   | .....                       | .....               | .....   | .....                       | 64800                    | 16800   | 82800                       | .....                  | .....   | .....                       |
| 1214                 | 18100                 | 4700  | 26300                       | 22100               | 5730  | 26300                       | 24100                    | 6230  | 29400                       | 27900                  | 7190  | 35600                       |
|                      | 80600                 | 20900   | 117000                      | 98500               | 25500   | 117000                      | 107000                   | 27700   | 131000                      | 124000                 | 32000   | 158000                      |
| 5214                 | 29900                 | 7750  | 50100                       | 36600               | 9470  | 50100                       | 39700                    | 10300   | 56000                       | 45900                  | 11900   | 67800                       |
|                      | 133000                | 34500   | 223000                      | 163000              | 42100   | 223000                      | 177000                   | 45800   | 249000                      | 204000                 | 52800   | 302000                      |
| 1314                 | 35300                 | 9130  | 48800                       | 43000               | 11100   | 48800                       | 43000                    | 11100   | 48800                       | 49800                  | 12900   | 59200                       |
|                      | 157000                | 40600   | 217000                      | 191000              | 49600   | 217000                      | 191000                   | 49600   | 217000                      | 221000                 | 57400   | 263000                      |
| 7314                 | 43800                 | 11300   | 64400                       | 53500               | 13800   | 64400                       | 53500                    | 13800   | 64400                       | 61800                  | 16000   | 78200                       |
|                      | 195000                | 50400   | 287000                      | 238000              | 61600   | 287000                      | 238000                   | 61600   | 287000                      | 275000                 | 71300   | 348000                      |
| 5314                 | 57600                 | 14900   | 91700                       | 70400               | 18200   | 91700                       | 70400                    | 18200   | 91700                       | 81400                  | 21100   | 111000                      |
|                      | 256000                | 66400   | 408000                      | 313000              | 81100   | 408000                      | 313000                   | 81100   | 408000                      | 362000                 | 93800   | 495000                      |

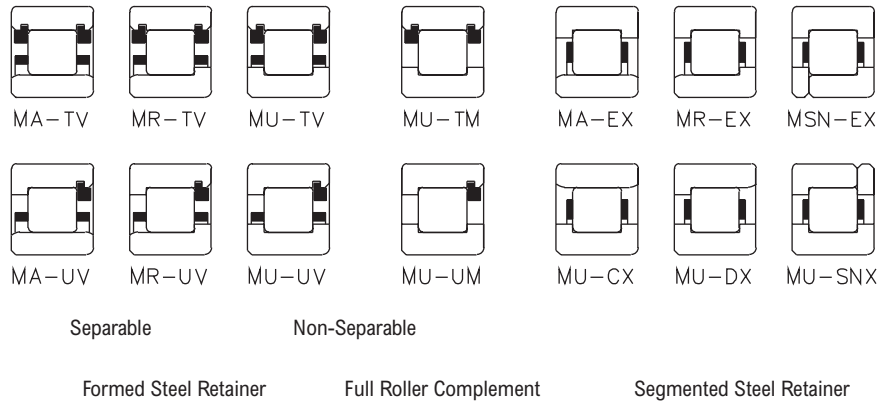
Ratings 75mm, 80mm, 85mm Bores



pounds/newtons

| Basic bearing number | Formed Steel Retainer |   |                             |                     |   |                             | Segmented Steel Retainer |   |                             | Full Roller Complement |   |                             |
|----------------------|-----------------------|---|-----------------------------|---------------------|---|-----------------------------|--------------------------|---|-----------------------------|------------------------|---|-----------------------------|
|                      | Separable             |   |                             | Non-separable       |   |                             | C Basic Load Rating      | Bearing Capacity 500 RPM, 3000 Hrs. L <sub>10</sub> | Co Basic Static Load Rating | C Basic Load Rating    | Bearing Capacity 500 RPM, 3000 Hrs. L <sub>10</sub> | Co Basic Static Load Rating |
|                      | C Basic Load Rating   | Bearing Capacity 500 RPM, 3000 Hrs. L <sub>10</sub> | Co Basic Static Load Rating | C Basic Load Rating | Bearing Capacity 500 RPM, 3000 Hrs. L <sub>10</sub> | Co Basic Static Load Rating |                          |   |                             |                        |   |                             |
| 1915                 | .....                 | .....   | .....                       | .....               | .....   | .....                       | 11200                    | 2910  | 16900                       | .....                  | .....   | .....                       |
| .....                | .....                 | .....   | .....                       | .....               | .....   | .....                       | 50000                    | 13000   | 75200                       | .....                  | .....   | .....                       |
| 1015                 | .....                 | .....   | .....                       | .....               | .....   | .....                       | 15300                    | 3970  | 20300                       | .....                  | .....   | .....                       |
| .....                | .....                 | .....   | .....                       | .....               | .....   | .....                       | 68200                    | 17700   | 90300                       | .....                  | .....   | .....                       |
| 1215                 | 18800                 | 4880  | 28000                       | 23000               | 5960  | 28000                       | 24900                    | 6450  | 31100                       | 28600                  | 7390  | 37400                       |
| .....                | 83800                 | 21700   | 125000                      | 102000              | 26500   | 125000                      | 111000                   | 28700   | 139000                      | 157000                 | 32900   | 166000                      |
| 5215                 | 32500                 | 8430  | 56600                       | 39700               | 10300   | 56600                       | 43000                    | 11100   | 62900                       | 49300                  | 12800   | 75500                       |
| .....                | 145000                | 37500   | 252000                      | 177000              | 45800   | 252000                      | 191000                   | 49500   | 280000                      | 219000                 | 56800   | 336000                      |
| 1315                 | 36600                 | 9470  | 49700                       | 44600               | 11600   | 49700                       | 44600                    | 11600   | 49700                       | 51600                  | 13400   | 60300                       |
| .....                | 163000                | 42100   | 221000                      | 199000              | 51400   | 221000                      | 199000                   | 51400   | 221000                      | 230000                 | 59500   | 268000                      |
| 7315                 | 48500                 | 12600   | 71500                       | 59300               | 15400   | 71500                       | 59300                    | 15400   | 71500                       | 68600                  | 17800   | 86900                       |
| .....                | 216000                | 55900   | 318000                      | 264000              | 68300   | 318000                      | 264000                   | 68300   | 318000                      | 305000                 | 79000   | 386000                      |
| 5315                 | 70900                 | 18400   | 116000                      | 86600               | 22400   | 116000                      | 86600                    | 22400   | 116000                      | 100000                 | 25900   | 141000                      |
| .....                | 315000                | 81700   | 518000                      | 385000              | 99800   | 518000                      | 385000                   | 99800   | 518000                      | 446000                 | 115000  | 629000                      |
| 1916                 | .....                 | .....   | .....                       | .....               | .....   | .....                       | 11600                    | 3010  | 18000                       | .....                  | .....   | .....                       |
| .....                | .....                 | .....   | .....                       | .....               | .....   | .....                       | 51700                    | 13400   | 80000                       | .....                  | .....   | .....                       |
| 1016                 | .....                 | .....   | .....                       | .....               | .....   | .....                       | 19200                    | 4970  | 25800                       | .....                  | .....   | .....                       |
| .....                | .....                 | .....   | .....                       | .....               | .....   | .....                       | 85300                    | 22100   | 115000                      | .....                  | .....   | .....                       |
| 1216                 | 20600                 | 5330  | 30100                       | 25100               | 6500  | 30100                       | 27200                    | 7040  | 33400                       | 30200                  | 7820  | 38400                       |
| .....                | 91500                 | 23700   | 134000                      | 112000              | 28900   | 134000                      | 121000                   | 31300   | 149000                      | 134000                 | 34800   | 171000                      |
| 5216                 | 36800                 | 9540  | 63700                       | 45000               | 11600   | 63700                       | 48700                    | 12600   | 70700                       | 54000                  | 14000   | 81300                       |
| .....                | 164000                | 42400   | 283000                      | 200000              | 51800   | 283000                      | 216000                   | 56100   | 315000                      | 240000                 | 62300   | 362000                      |
| 1316                 | 41500                 | 10800   | 57300                       | 50700               | 13100   | 57300                       | 50700                    | 13100   | 57300                       | 58700                  | 15200   | 69600                       |
| .....                | 185000                | 47900   | 255000                      | 226000              | 58400   | 255000                      | 226000                   | 58400   | 255000                      | 261000                 | 67600   | 309000                      |
| 7316                 | 55100                 | 14300   | 82400                       | 67300               | 17400   | 82400                       | 67300                    | 17400   | 82400                       | 77900                  | 20200   | 100000                      |
| .....                | 245000                | 63500   | 367000                      | 299000              | 77500   | 367000                      | 299000                   | 77500   | 367000                      | 346000                 | 89700   | 445000                      |
| 5316                 | 73300                 | 19000   | 119000                      | 89400               | 23200   | 119000                      | 89400                    | 23200   | 119000                      | 103000                 | 26800   | 144000                      |
| .....                | 326000                | 84400   | 528000                      | 398000              | 103000  | 528000                      | 398000                   | 103000  | 528000                      | 460000                 | 119000  | 642000                      |
| 1917                 | .....                 | .....   | .....                       | .....               | .....   | .....                       | 13700                    | 3550  | 20900                       | .....                  | .....   | .....                       |
| .....                | .....                 | .....   | .....                       | .....               | .....   | .....                       | 60900                    | 15800   | 93100                       | .....                  | .....   | .....                       |
| 1017                 | .....                 | .....   | .....                       | .....               | .....   | .....                       | 19700                    | 5100  | 27000                       | .....                  | .....   | .....                       |
| .....                | .....                 | .....   | .....                       | .....               | .....   | .....                       | 87500                    | 22700   | 120000                      | .....                  | .....   | .....                       |
| 1217                 | 24800                 | 6410  | 36700                       | 30200               | 7830  | 36700                       | 31500                    | 8160  | 38700                       | 36300                  | 9410  | 46900                       |
| .....                | 110000                | 28500   | 163000                      | 134000              | 34800   | 163000                      | 140000                   | 36300   | 172000                      | 162000                 | 41900   | 208000                      |
| 5217                 | 45300                 | 11700   | 79700                       | 55300               | 14300   | 79700                       | 57600                    | 14900   | 84100                       | 66400                  | 17200   | 102000                      |
| .....                | 201000                | 52200   | 354000                      | 246000              | 63700   | 354000                      | 356000                   | 66300   | 374000                      | 296000                 | 76500   | 453000                      |
| 1317                 | 44600                 | 11500   | 61200                       | 54400               | 14100   | 61200                       | 54400                    | 14100   | 61200                       | 63000                  | 16300   | 74300                       |
| .....                | 198000                | 51300   | 272000                      | 242000              | 62700   | 272000                      | 242000                   | 62700   | 272000                      | 280000                 | 72500   | 330000                      |
| 7317                 | 61700                 | 16000   | 92900                       | 75400               | 19500   | 92900                       | 75400                    | 19500   | 92900                       | 87200                  | 22600   | 113000                      |
| .....                | 275000                | 71100   | 413000                      | 335000              | 86800   | 413000                      | 335000                   | 86900   | 413000                      | 388000                 | 100000  | 502000                      |
| 5317                 | 86300                 | 22400   | 143000                      | 105000              | 27300   | 143000                      | 105000                   | 27300   | 143000                      | 122000                 | 31600   | 174000                      |
| .....                | 384000                | 99500   | 636000                      | 469000              | 121000  | 636000                      | 469000                   | 121000  | 636000                      | 542000                 | 140000  | 773000                      |

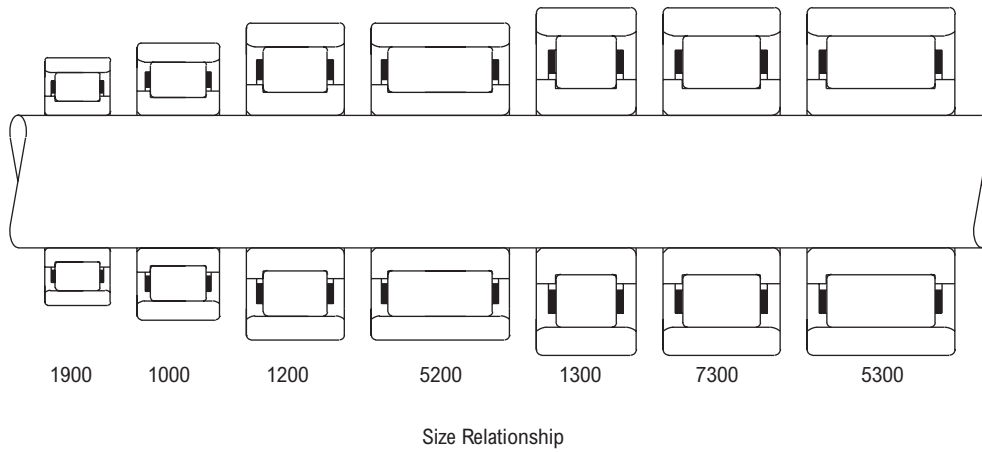
**Ratings 90mm, 95mm, 100mm Bores**



**pounds/newtons**

| Basic bearing number | Formed Steel Retainer  |  |                                |                        |  |                                | Segmented Steel Retainer |  |                                | Full Roller Complement |  |                                |
|----------------------|------------------------|--|--------------------------------|------------------------|--|--------------------------------|--------------------------|--|--------------------------------|------------------------|--|--------------------------------|
|                      | Separable              |  |                                | Non-separable          |  |                                | C<br>Basic Load Rating   | Bearing Capacity<br>500 RPM,<br>3000 Hrs.<br>L <sub>10</sub> | Co<br>Basic Static Load Rating | C<br>Basic Load Rating | Bearing Capacity<br>500 RPM,<br>3000 Hrs.<br>L <sub>10</sub> | Co<br>Basic Static Load Rating |
|                      | C<br>Basic Load Rating | Bearing Capacity<br>500 RPM,<br>3000 Hrs.<br>L <sub>10</sub> | Co<br>Basic Static Load Rating | C<br>Basic Load Rating | Bearing Capacity<br>500 RPM,<br>3000 Hrs.<br>L <sub>10</sub> | Co<br>Basic Static Load Rating |                          |  |                                |                        |  |                                |
| 1918                 | .....                  | .....  | .....                          | .....                  | .....  | .....                          | 14200                    | 3670   | 22200                          | .....                  | .....  | .....                          |
|                      | .....                  | .....  | .....                          | .....                  | .....  | .....                          | 6300                     | 16300  | 98900                          | .....                  | .....  | .....                          |
| 1018                 | .....                  | .....  | .....                          | .....                  | .....  | .....                          | 24900                    | 6440   | 33500                          | .....                  | .....  | .....                          |
|                      | .....                  | .....  | .....                          | .....                  | .....  | .....                          | 111000                   | 28600  | 149000                         | .....                  | .....  | .....                          |
| 1218                 | 28700                  | 7440   | 42600                          | 35100                  | 9090   | 42600                          | 38100                    | 9880   | 47600                          | 42600                  | 11000  | 55100                          |
|                      | 128000                 | 33100  | 190000                         | 156000                 | 40400  | 190000                         | 170000                   | 43900  | 212000                         | 189000                 | 49000  | 245000                         |
| 5218                 | 51000                  | 13200  | 89100                          | 62300                  | 16100  | 89100                          | 67700                    | 17500  | 99600                          | 75500                  | 19600  | 115000                         |
|                      | 227000                 | 58700  | 396000                         | 277000                 | 71700  | 396000                         | 301000                   | 78000  | 443000                         | 336000                 | 87000  | 513000                         |
| 1318                 | 52600                  | 13600  | 74200                          | 64200                  | 16600  | 74200                          | 64200                    | 16600  | 74200                          | 74200                  | 19200  | 90100                          |
|                      | 234000                 | 60600  | 330000                         | 285000                 | 73900  | 330000                         | 285000                   | 73900  | 330000                         | 330000                 | 85500  | 401000                         |
| 7318                 | 69000                  | 17900  | 105000                         | 84300                  | 21800  | 105000                         | 84300                    | 21800  | 105000                         | 97500                  | 25300  | 128000                         |
|                      | 307000                 | 79500  | 469000                         | 375000                 | 97100  | 469000                         | 375000                   | 97100  | 469000                         | 434000                 | 112000   | 569000                         |
| 5318                 | 88400                  | 22900  | 145000                         | 108000                 | 27900  | 145000                         | 108000                   | 27900  | 145000                         | 125000                 | 32300  | 176000                         |
|                      | 393000                 | 102000   | 644000                         | 480000                 | 124000   | 644000                         | 480000                   | 124000   | 644000                         | 556000                 | 144000   | 783000                         |
| 1919                 | .....                  | .....  | .....                          | .....                  | .....  | .....                          | 14600                    | 3790   | 23600                          | .....                  | .....  | .....                          |
|                      | .....                  | .....  | .....                          | .....                  | .....  | .....                          | 65100                    | 16900  | 105000                         | .....                  | .....  | .....                          |
| 1019                 | .....                  | .....  | .....                          | .....                  | .....  | .....                          | 25500                    | 6600   | 35100                          | .....                  | .....  | .....                          |
|                      | .....                  | .....  | .....                          | .....                  | .....  | .....                          | 113000                   | 29400  | 156000                         | .....                  | .....  | .....                          |
| 1219                 | 33400                  | 8650   | 50000                          | 40800                  | 10600  | 50000                          | 42600                    | 11000  | 53000                          | 49500                  | 12800  | 64700                          |
|                      | 149000                 | 38500  | 222000                         | 181000                 | 47000  | 222000                         | 189000                   | 49000  | 236000                         | 220000                 | 57000  | 288000                         |
| 5219                 | 58500                  | 15200  | 103000                         | 71400                  | 18500  | 103000                         | 74600                    | 19300  | 109000                         | 86700                  | 22400  | 133000                         |
|                      | 260000                 | 67400  | 457000                         | 318000                 | 82300  | 457000                         | 332000                   | 85900  | 484000                         | 386000                 | 99800  | 592000                         |
| 1319                 | 55300                  | 14300  | 80500                          | 67600                  | 17500  | 80500                          | 67600                    | 17500  | 80500                          | 77400                  | 20100  | 96600                          |
|                      | 246000                 | 63700  | 358000                         | 300000                 | 77800  | 358000                         | 300000                   | 77800  | 358000                         | 344000                 | 89200  | 430000                         |
| 7319                 | 75800                  | 19600  | 121000                         | 92600                  | 24000  | 121000                         | 92600                    | 24000  | 121000                         | 106000                 | 27500  | 145000                         |
|                      | 337000                 | 87400  | 537000                         | 412000                 | 107000   | 537000                         | 412000                   | 107000   | 537000                         | 472000                 | 122000   | 644000                         |
| 5319                 | 93000                  | 24100  | 157000                         | 114000                 | 29400  | 157000                         | 114000                   | 29400  | 157000                         | 130000                 | 33700  | 188000                         |
|                      | 414000                 | 107000   | 698000                         | 505000                 | 131000   | 698000                         | 505000                   | 131000   | 698000                         | 579000                 | 150000   | 838000                         |
| 1920                 | .....                  | .....  | .....                          | .....                  | .....  | .....                          | 17300                    | 4470   | 25600                          | .....                  | .....  | .....                          |
|                      | .....                  | .....  | .....                          | .....                  | .....  | .....                          | 76800                    | 19900  | 114000                         | .....                  | .....  | .....                          |
| 1020                 | .....                  | .....  | .....                          | .....                  | .....  | .....                          | 26100                    | 6760   | 36700                          | .....                  | .....  | .....                          |
|                      | .....                  | .....  | .....                          | .....                  | .....  | .....                          | 116000                   | 30100  | 163000                         | .....                  | .....  | .....                          |
| 1220                 | 36500                  | 9470   | 54800                          | 44600                  | 11600  | 54800                          | 46600                    | 12100  | 58000                          | 54100                  | 14000  | 70900                          |
|                      | 163000                 | 42100  | 244000                         | 198000                 | 51400  | 244000                         | 207000                   | 53700  | 258000                         | 241000                 | 62400  | 315000                         |
| 5220                 | 65900                  | 17100  | 117000                         | 80500                  | 20800  | 117000                         | 84000                    | 21800  | 124000                         | 97700                  | 25300  | 151000                         |
|                      | 293000                 | 76000  | 520000                         | 358000                 | 92700  | 520000                         | 374000                   | 96800  | 551000                         | 434000                 | 113000   | 674000                         |
| 1320                 | 60600                  | 15700  | 88300                          | 74000                  | 19200  | 88300                          | 74000                    | 19200  | 88300                          | 84800                  | 22000  | 106000                         |
|                      | 270000                 | 69800  | 393000                         | 329000                 | 85300  | 393000                         | 329000                   | 85300  | 393000                         | 377000                 | 97700  | 472000                         |
| 7320                 | 82500                  | 21400  | 131000                         | 101000                 | 26100  | 131000                         | 101000                   | 26100  | 131000                         | 115000                 | 29900  | 157000                         |
|                      | 367000                 | 95000  | 584000                         | 448000                 | 116000   | 584000                         | 448000                   | 116000   | 584000                         | 513000                 | 133000   | 700000                         |
| 5320                 | 111000                 | 28700  | 192000                         | 135000                 | 35100  | 192000                         | 135000                   | 35100  | 192000                         | 155000                 | 40200  | 231000                         |
|                      | 493000                 | 128000   | 855000                         | 602000                 | 156000   | 855000                         | 602000                   | 156000   | 855000                         | 691000                 | 179000   | 1030000                        |

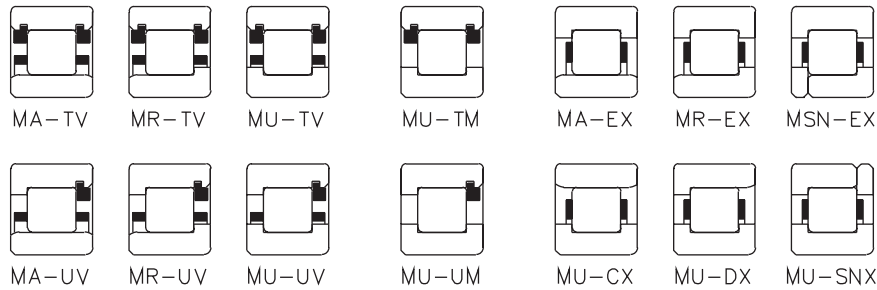
Ratings 105mm, 110mm, 120mm Bores



pounds/newtons

| Basic bearing number | Formed Steel Retainer  |  |                                |                        |  |                                | Segmented Steel Retainer |  |                                | Full Roller Complement |  |                                |
|----------------------|------------------------|--|--------------------------------|------------------------|--|--------------------------------|--------------------------|--|--------------------------------|------------------------|--|--------------------------------|
|                      | Separable              |  |                                | Non-separable          |  |                                | C<br>Basic Load Rating   | Bearing Capacity<br>500 RPM,<br>3000 Hrs.<br>L <sub>10</sub> | Co<br>Basic Static Load Rating | C<br>Basic Load Rating | Bearing Capacity<br>500 RPM,<br>3000 Hrs.<br>L <sub>10</sub> | Co<br>Basic Static Load Rating |
|                      | C<br>Basic Load Rating | Bearing Capacity<br>500 RPM,<br>3000 Hrs.<br>L <sub>10</sub> | Co<br>Basic Static Load Rating | C<br>Basic Load Rating | Bearing Capacity<br>500 RPM,<br>3000 Hrs.<br>L <sub>10</sub> | Co<br>Basic Static Load Rating |                          |  |                                |                        |  |                                |
| 1921                 | .....                  | .....  | .....                          | .....                  | .....  | .....                          | 17900                    | 4650   | 27300                          | .....                  | .....  | .....                          |
| 1021                 | .....                  | .....  | .....                          | .....                  | .....  | .....                          | 79800                    | 20700  | 121000                         | .....                  | .....  | .....                          |
| 1221                 | 38600                  | 9990   | 57800                          | 47100                  | 12200  | 57800                          | 49200                    | 12700  | 61200                          | 57200                  | 14800  | 74800                          |
| 5221                 | 73400                  | 19000  | 132000                         | 89600                  | 23200  | 132000                         | 93600                    | 24200  | 140000                         | 109000                 | 28200  | 171000                         |
| 1321                 | 71700                  | 18600  | 108000                         | 87500                  | 22700  | 108000                         | 87500                    | 22700  | 108000                         | 100000                 | 26000  | 129000                         |
| 7321                 | 90500                  | 23400  | 145000                         | 110000                 | 28600  | 145000                         | 110000                   | 28600  | 145000                         | 127000                 | 32800  | 174000                         |
| 5321                 | 118000                 | 30500  | 204000                         | 144000                 | 37200  | 204000                         | 144000                   | 37200  | 204000                         | 165000                 | 42700  | 244000                         |
| 1922                 | .....                  | .....  | .....                          | .....                  | .....  | .....                          | 18200                    | 4720   | 28200                          | .....                  | .....  | .....                          |
| 1022                 | .....                  | .....  | .....                          | .....                  | .....  | .....                          | 81200                    | 21000  | 125000                         | .....                  | .....  | .....                          |
| 1222                 | 43600                  | 11300  | 67300                          | 53200                  | 13800  | 67300                          | 55400                    | 14400  | 71100                          | 61900                  | 16000  | 82300                          |
| 5222                 | 79900                  | 20700  | 147000                         | 97600                  | 25300  | 147000                         | 102000                   | 26300  | 155000                         | 113000                 | 29400  | 179000                         |
| 1322                 | 72800                  | 18900  | 107000                         | 88900                  | 23000  | 107000                         | 88900                    | 23000  | 107000                         | 102000                 | 26400  | 129000                         |
| 7322                 | 99800                  | 25800  | 161000                         | 122000                 | 31500  | 161000                         | 122000                   | 31500  | 161000                         | 140000                 | 36200  | 193000                         |
| 5322                 | 144000                 | 35700  | 244000                         | 169000                 | 43600  | 244000                         | 169000                   | 43600  | 244000                         | 193000                 | 50000  | 293000                         |
| 1924                 | .....                  | .....  | .....                          | .....                  | .....  | .....                          | 23800                    | 6160   | 37300                          | .....                  | .....  | .....                          |
| 1024                 | .....                  | .....  | .....                          | .....                  | .....  | .....                          | 106000                   | 27400  | 166000                         | .....                  | .....  | .....                          |
| 1224                 | 49400                  | 12800  | 77900                          | 60300                  | 15600  | 77900                          | 62800                    | 16300  | 82300                          | 72500                  | 18800  | 99600                          |
| 5224                 | 97200                  | 25200  | 186000                         | 119000                 | 30700  | 186000                         | 124000                   | 32000  | 196000                         | 143000                 | 36900  | 238000                         |
| 1324                 | 84600                  | 21900  | 126000                         | 103000                 | 26700  | 126000                         | 103000                   | 26700  | 126000                         | 118000                 | 30700  | 151000                         |
| 7324                 | 118000                 | 30500  | 193000                         | 144000                 | 37300  | 193000                         | 144000                   | 37300  | 193000                         | 165000                 | 42700  | 232000                         |
| 5324                 | 170000                 | 44100  | 310000                         | 208000                 | 53900  | 310000                         | 208000                   | 53900  | 310000                         | 238000                 | 61700  | 373000                         |
|                      | 757000                 | 196000   | 1380000                        | 925000                 | 240000   | 1380000                        | 925000                   | 240000   | 1380000                        | 1060000                | 275000   | 1660000                        |

**Ratings 130mm, 140mm, 150mm Bores**



Separable

Non-Separable

Formed Steel Retainer

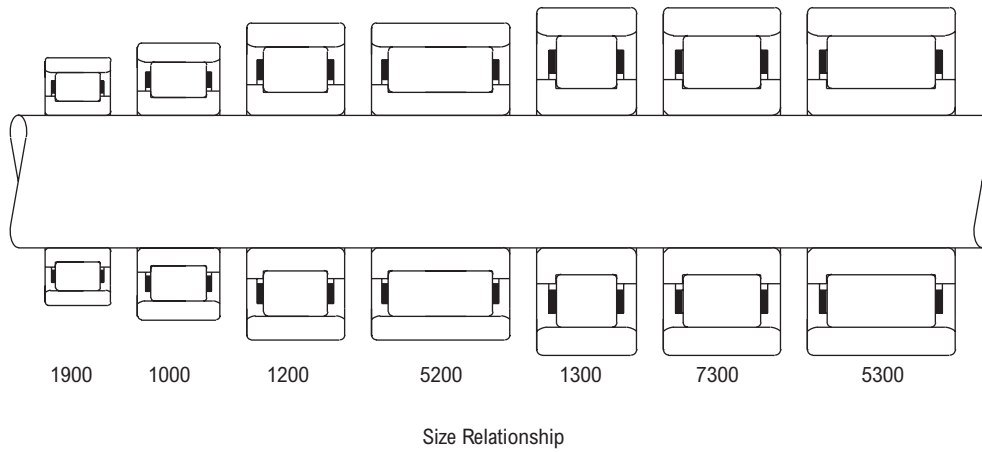
Full Roller Complement

Segmented Steel Retainer

**pounds/newtons**

| Basic bearing number | Formed Steel Retainer |   |   |                     |   |   | Segmented Steel Retainer |   |   | Full Roller Complement |   |   |
|----------------------|-----------------------|---|---|---------------------|---|---|--------------------------|---|---|------------------------|---|---|
|                      | Separable             |   |   | Non-separable       |   |   | C Basic Load Rating      | Bearing Capacity 500 RPM, 3000 Hrs. L <sub>10</sub> | C <sub>0</sub> Basic Static Load Rating | C Basic Load Rating    | Bearing Capacity 500 RPM, 3000 Hrs. L <sub>10</sub> | C <sub>0</sub> Basic Static Load Rating |
|                      | C Basic Load Rating   | Bearing Capacity 500 RPM, 3000 Hrs. L <sub>10</sub> | C <sub>0</sub> Basic Static Load Rating | C Basic Load Rating | Bearing Capacity 500 RPM, 3000 Hrs. L <sub>10</sub> | C <sub>0</sub> Basic Static Load Rating |                          |   |   |                        |   |   |
| 1926                 | .....                 | .....   | .....                                   | .....               | .....   | .....                                   | 30100                    | 7800  | 47600                                   | .....                  | .....   | .....                                   |
|                      | .....                 | .....   | .....                                   | .....               | .....   | .....                                   | 134000                   | 34700   | 212000                                  | .....                  | .....   | .....                                   |
| 1026                 | .....                 | .....   | .....                                   | .....               | .....   | .....                                   | 47500                    | 12300   | 69100                                   | .....                  | .....   | .....                                   |
|                      | .....                 | .....   | .....                                   | .....               | .....   | .....                                   | 211000                   | 54700   | 307000                                  | .....                  | .....   | .....                                   |
| 1226                 | 55300                 | 14300   | 85200                                   | 67500               | 17500   | 85200                                   | 67500                    | 17500   | 85200                                   | 78500                  | 20300   | 104000                                  |
|                      | 246000                | 63700   | 379000                                  | 300000              | 77800   | 379000                                  | 300000                   | 77800   | 379000                                  | 349000                 | 90400   | 463000                                  |
| 5226                 | 104000                | 26900   | 192000                                  | 127000              | 32800   | 192000                                  | 127000                   | 32800   | 192000                                  | 147000                 | 38200   | 234000                                  |
|                      | 462000                | 120000  | 852000                                  | 564000              | 146000  | 852000                                  | 564000                   | 146000  | 852000                                  | 655000                 | 170000  | 1040000                                 |
| 1326                 | 100000                | 25900   | 151000                                  | 122000              | 31700   | 151000                                  | 122000                   | 31700   | 151000                                  | 140000                 | 36300   | 182000                                  |
|                      | 446000                | 115000  | 674000                                  | 544000              | 141000  | 674000                                  | 544000                   | 141000  | 674000                                  | 624000                 | 162000  | 808000                                  |
| 7326                 | 138000                | 35700   | 228000                                  | 168000              | 43600   | 228000                                  | 168000                   | 43600   | 228000                                  | 193000                 | 50000   | 274000                                  |
|                      | 613000                | 159000  | 1020000                                 | 749000              | 194000  | 1020000                                 | 749000                   | 194000  | 1020000                                 | 858000                 | 222000  | 1220000                                 |
| 5326                 | 190000                | 49300   | 346000                                  | 232000              | 60200   | 346000                                  | 232000                   | 60200   | 346000                                  | 267000                 | 69000   | 415000                                  |
|                      | 847000                | 219000  | 1540000                                 | 1030000             | 268000  | 1540000                                 | 1030000                  | 268000  | 1540000                                 | 1190000                | 307000  | 1850000                                 |
| 1928                 | .....                 | .....   | .....                                   | .....               | .....   | .....                                   | 31100                    | 8060  | 50800                                   | .....                  | .....   | .....                                   |
|                      | .....                 | .....   | .....                                   | .....               | .....   | .....                                   | 138000                   | 35900   | 226000                                  | .....                  | .....   | .....                                   |
| 1028                 | .....                 | .....   | .....                                   | .....               | .....   | .....                                   | 49900                    | 12900   | 75100                                   | .....                  | .....   | .....                                   |
|                      | .....                 | .....   | .....                                   | .....               | .....   | .....                                   | 222000                   | 57400   | 334000                                  | .....                  | .....   | .....                                   |
| 1228                 | 61700                 | 16000   | 95000                                   | 75300               | 19500   | 95000                                   | 75300                    | 19500   | 95000                                   | 87600                  | 22700   | 116000                                  |
|                      | 274000                | 71100   | 422000                                  | 335000              | 86800   | 422000                                  | 335000                   | 86800   | 422000                                  | 390000                 | 101000  | 516000                                  |
| 5228                 | 129000                | 33400   | 244000                                  | 157000              | 40700   | 244000                                  | 157000                   | 40700   | 244000                                  | 183000                 | 47300   | 299000                                  |
|                      | 573000                | 148000  | 1090000                                 | 699000              | 181000  | 1090000                                 | 699000                   | 181000  | 1090000                                 | 813000                 | 211000  | 1330000                                 |
| 1328                 | 111000                | 28800   | 170000                                  | 136000              | 35200   | 170000                                  | 136000                   | 35200   | 170000                                  | 156000                 | 40400   | 204000                                  |
|                      | 495000                | 128000  | 756000                                  | 605000              | 157000  | 756000                                  | 605000                   | 157000  | 756000                                  | 693000                 | 180000  | 907000                                  |
| 7328                 | 158000                | 40800   | 266000                                  | 192000              | 49800   | 266000                                  | 192000                   | 49800   | 266000                                  | 221000                 | 57100   | 319000                                  |
|                      | 701000                | 182000  | 1180000                                 | 856000              | 222000  | 1180000                                 | 856000                   | 222000  | 1180000                                 | 981000                 | 254000  | 1420000                                 |
| 5328                 | 209000                | 54200   | 383000                                  | 256000              | 66200   | 383000                                  | 256000                   | 66200   | 383000                                  | 293000                 | 75900   | 460000                                  |
|                      | 931000                | 241000  | 1700000                                 | 1140000             | 295000  | 1700000                                 | 1140000                  | 295000  | 1700000                                 | 1300000                | 338000  | 2050000                                 |
| 1930                 | .....                 | .....   | .....                                   | .....               | .....   | .....                                   | 41800                    | 10800   | 68600                                   | .....                  | .....   | .....                                   |
|                      | .....                 | .....   | .....                                   | .....               | .....   | .....                                   | 186000                   | 48100   | 305000                                  | .....                  | .....   | .....                                   |
| 1030                 | .....                 | .....   | .....                                   | .....               | .....   | .....                                   | 56700                    | 14700   | 85800                                   | .....                  | .....   | .....                                   |
|                      | .....                 | .....   | .....                                   | .....               | .....   | .....                                   | 252000                   | 65300   | 382000                                  | .....                  | .....   | .....                                   |
| 1230                 | 71000                 | 18400   | 111000                                  | 86700               | 22500   | 111000                                  | 86700                    | 22500   | 111000                                  | 101000                 | 26100   | 135000                                  |
|                      | 316000                | 81800   | 492000                                  | 386000              | 99900   | 492000                                  | 386000                   | 99900   | 492000                                  | 448000                 | 116000  | 601000                                  |
| 5230                 | 150000                | 38900   | 289000                                  | 183000              | 47500   | 289000                                  | 183000                   | 47500   | 289000                                  | 213000                 | 55200   | 354000                                  |
|                      | 668000                | 173000  | 1290000                                 | 815000              | 211000  | 1290000                                 | 815000                   | 211000  | 1290000                                 | 948000                 | 245000  | 1570000                                 |

Ratings 160mm, 170mm, 180mm, 190mm, 200mm Bores



pounds/newtons

| Basic bearing number | Formed Steel Retainer |   |                             |                     |   |                             | Segmented Steel Retainer |   |                             | Full Roller Complement |   |                             |
|----------------------|-----------------------|---|-----------------------------|---------------------|---|-----------------------------|--------------------------|---|-----------------------------|------------------------|---|-----------------------------|
|                      | Separable             |   |                             | Non-separable       |   |                             | C Basic Load Rating      | Bearing Capacity 500 RPM, 3000 Hrs. L <sub>10</sub> | Co Basic Static Load Rating | C Basic Load Rating    | Bearing Capacity 500 RPM, 3000 Hrs. L <sub>10</sub> | Co Basic Static Load Rating |
|                      | C Basic Load Rating   | Bearing Capacity 500 RPM, 3000 Hrs. L <sub>10</sub> | Co Basic Static Load Rating | C Basic Load Rating | Bearing Capacity 500 RPM, 3000 Hrs. L <sub>10</sub> | Co Basic Static Load Rating |                          |   |                             |                        |   |                             |
| 1932                 | .....                 | .....   | .....                       | .....               | .....   | .....                       | 43200                    | 11200   | 73100                       | .....                  | .....   | .....                       |
| .....                | .....                 | .....   | .....                       | .....               | .....   | .....                       | 192000                   | 49800   | 325000                      | .....                  | .....   | .....                       |
| 1032                 | .....                 | .....   | .....                       | .....               | .....   | .....                       | 65000                    | 16800   | 99800                       | .....                  | .....   | .....                       |
| .....                | .....                 | .....   | .....                       | .....               | .....   | .....                       | 289000                   | 74800   | 444000                      | .....                  | .....   | .....                       |
| 1232                 | 78300                 | 20300   | 120000                      | 95600               | 24800   | 120000                      | 99800                    | 25800   | 127000                      | 112000                 | 29000   | 148000                      |
| .....                | 348000                | 90200   | 534000                      | 425000              | 110000  | 534000                      | 444000                   | 115000  | 565000                      | 498000                 | 129000  | 660000                      |
| 5232                 | 174000                | 45100   | 336000                      | 213000              | 55100   | 336000                      | 222000                   | 57500   | 356000                      | 249000                 | 64600   | 415000                      |
| .....                | 775000                | 201000  | 1490000                     | 946000              | 245000  | 1490000                     | 988000                   | 256000  | 1580000                     | 1110000                | 287000  | 1850000                     |
| 1934                 | .....                 | .....   | .....                       | .....               | .....   | .....                       | 43700                    | 11300   | 75500                       | .....                  | .....   | .....                       |
| .....                | .....                 | .....   | .....                       | .....               | .....   | .....                       | 195000                   | 50400   | 336000                      | .....                  | .....   | .....                       |
| 1034                 | .....                 | .....   | .....                       | .....               | .....   | .....                       | 81400                    | 21100   | 130000                      | .....                  | .....   | .....                       |
| .....                | .....                 | .....   | .....                       | .....               | .....   | .....                       | 362000                   | 93800   | 577000                      | .....                  | .....   | .....                       |
| 1234                 | 95700                 | 24800   | 149000                      | 117000              | 30300   | 149000                      | 122000                   | 31600   | 158000                      | 137000                 | 35500   | 184000                      |
| .....                | 426000                | 110000  | 664000                      | 520000              | 135000  | 664000                      | 543000                   | 141000  | 703000                      | 609000                 | 158000  | 820000                      |
| 5234                 | 202000                | 52400   | 391000                      | 247000              | 64000   | 391000                      | 258000                   | 66800   | 414000                      | 290000                 | 75000   | 483000                      |
| .....                | 900000                | 233000  | 1740000                     | 1100000             | 285000  | 1740000                     | 1150000                  | 297000  | 1840000                     | 1290000                | 334000  | 2150000                     |
| 1936                 | .....                 | .....   | .....                       | .....               | .....   | .....                       | 56000                    | 14500   | 93700                       | .....                  | .....   | .....                       |
| .....                | .....                 | .....   | .....                       | .....               | .....   | .....                       | 249000                   | 64500   | 417000                      | .....                  | .....   | .....                       |
| 1036                 | .....                 | .....   | .....                       | .....               | .....   | .....                       | 97900                    | 25400   | 154000                      | .....                  | .....   | .....                       |
| .....                | .....                 | .....   | .....                       | .....               | .....   | .....                       | 436000                   | 113000  | 685000                      | .....                  | .....   | .....                       |
| 1236                 | 99600                 | 25800   | 159000                      | 122000              | 31500   | 159000                      | 122000                   | 31500   | 159000                      | 136000                 | 35300   | 186000                      |
| .....                | 443000                | 115000  | 708000                      | 541000              | 140000  | 708000                      | 541000                   | 140000  | 708000                      | 607000                 | 157000  | 826000                      |
| 5236                 | 195000                | 50600   | 379000                      | 239000              | 61800   | 379000                      | 239000                   | 61800   | 379000                      | 268000                 | 69400   | 442000                      |
| .....                | 870000                | 225000  | 1690000                     | 1060000             | 275000  | 1690000                     | 1060000                  | 275000  | 1690000                     | 1190000                | 309000  | 1970000                     |
| 1938                 | .....                 | .....   | .....                       | .....               | .....   | .....                       | 56800                    | 14700   | 97000                       | .....                  | .....   | .....                       |
| .....                | .....                 | .....   | .....                       | .....               | .....   | .....                       | 253000                   | 65500   | 431000                      | .....                  | .....   | .....                       |
| 1038                 | .....                 | .....   | .....                       | .....               | .....   | .....                       | 100000                   | 26000   | 161000                      | .....                  | .....   | .....                       |
| .....                | .....                 | .....   | .....                       | .....               | .....   | .....                       | 446000                   | 115000  | 716000                      | .....                  | .....   | .....                       |
| 1238                 | 143200                | 37000   | 239400                      | 175400              | 45600   | 239400                      | 190600                   | 49300   | 267700                      | 205000                 | 53000   | 299000                      |
| .....                | 637000                | 164900  | 1065000                     | 780000              | 203000  | 1065000                     | 848000                   | 219500  | 1191000                     | 912000                 | 236000  | 1330000                     |
| 5238                 | 242000                | 62800   | 489000                      | 296000              | 76600   | 489000                      | 296000                   | 76600   | 489000                      | 332000                 | 86000   | 570000                      |
| .....                | 1080000               | 279000  | 2170000                     | 1320000             | 341000  | 2170000                     | 1320000                  | 341000  | 2170000                     | 1480000                | 383000  | 2540000                     |
| 1940                 | .....                 | .....   | .....                       | .....               | .....   | .....                       | 73700                    | 19100   | 125000                      | .....                  | .....   | .....                       |
| .....                | .....                 | .....   | .....                       | .....               | .....   | .....                       | 328000                   | 84900   | 556000                      | .....                  | .....   | .....                       |
| 1040                 | .....                 | .....   | .....                       | .....               | .....   | .....                       | 121000                   | 31300   | 193000                      | .....                  | .....   | .....                       |
| .....                | .....                 | .....   | .....                       | .....               | .....   | .....                       | 538000                   | 139000  | 859000                      | .....                  | .....   | .....                       |
| 1240                 | 123000                | 31900   | 201000                      | 150000              | 38900   | 201000                      | 150000                   | 38900   | 201000                      | 175000                 | 45200   | 246000                      |
| .....                | 547000                | 142000  | 893000                      | 668000              | 173000  | 893000                      | 668000                   | 173000  | 893000                      | 777000                 | 201000  | 1090000                     |
| 5240                 | 270000                | 69900   | 551000                      | 329000              | 85300   | 551000                      | 329000                   | 85300   | 551000                      | 383000                 | 99200   | 673000                      |
| .....                | 1200000               | 311000  | 2450000                     | 1460000             | 379000  | 2450000                     | 1460000                  | 379000  | 2450000                     | 1700000                | 441000  | 2990000                     |

## Shaft Bearing Seat Diameters

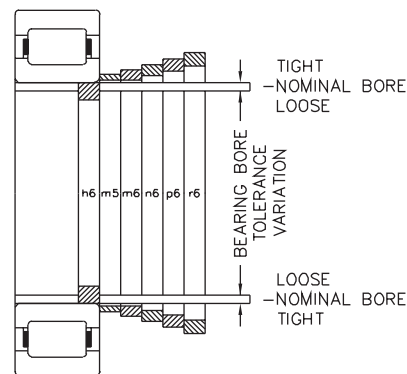
Bearing bore tolerances are in accordance with the system of tolerancing established by the International Standards Organization (ISO) and adopted by the American Bearing Manufacturers Association (ABMA) and the American National Standards Institute (ANSI).

A system of limits and fits has been established by ISO for shafts. A portion of this system has been adopted by ABMA to provide flexibility in selecting shaft fits. Shaft fits are designated by a lower case letter and a number, such as h6. The letter indicates the location of the shaft tolerance limits with respect to the nominal bearing bore. The number indicates the size of the tolerance zone.

Shaft fits recommended for various types of applications are listed in the table at right. A graphic relationship of various shaft fits is illustrated in the figure at the left.

Many factors influence the proper fit of the bearing inner ring on a shaft. The magnitude of the load and its direction with respect to bearing inner or outer rings are generally the first factors considered in shaft fit selection. The effects of other factors such as vibration, shock, temperature, speed, etc., are of secondary importance but sometimes need to be considered. Where assembly or disassembly requirements are of prime importance special shaft fits may be required.

Appropriate diameter shafting is determined (as shown) from the tables below.



### Class of Fit and Shaft Diameters (inches/μm)

| Bearing Series, 1000, 1200, 1300, 1900, 5200, 5300, 7300 | Nominal Bearing Bore And Shaft Diameter |        | Bearing Bore Tolerance ▲ | Bearing/Shaft Diameter Fits ▲ |        |            |        |            |
|--|---|--------|--------------------------|-------------------------------|--------|------------|--------|------------|
|  |   |        |                          | H6                            |        | M5         |        |            |
|  |   |        |                          | Tolerance                     |        | Tolerance  |        |            |
| Basic Size   | mm                                      | inches | um                       | inches                        | Fit    | Shaft Dia. | Fit    | Shaft Dia. |
|  |   |        |                          |                               | .0004T | -.0000     | .0011T | 0.0007     |
| 04   | 20.000                                  | 0.7874 | 0                        | 0.0000                        | .0005L | -.0005     | .0003T | 0.0003     |
| 05   | 25.000                                  | 0.9843 | -10                      | -.0004                        | 10T    | 0          | 27T    | 17         |
| 06   | 30.000                                  | 1.1811 |                          |                               | 13L    | -13        | 8T     | 8          |
| 07   | 35.000                                  | 1.3780 |                          |                               | .0005T | 0.0000     | .0013T | 0.0008     |
| 08   | 40.000                                  | 1.5748 | 0                        | 0.0000                        | .0006L | -.0006     | .0004T | 0.0004     |
| 09   | 45.000                                  | 1.7717 | -12                      | -.0005                        | 12T    | 0          | 33T    | 20         |
| 10   | 50.000                                  | 1.9685 |                          |                               | 16L    | -16        | 9T     | 9          |
| 11   | 55.000                                  | 2.1654 |                          |                               |        |            |        |            |
| 12   | 60.000                                  | 2.3622 |                          |                               | .0006T | 0.0000     | .0016T | 0.001      |
| 13   | 65.000                                  | 2.5591 | 0                        | 0.0000                        | .0007L | 0.0007     | .0005T | 0.0005     |
| 14   | 70.000                                  | 2.7559 | -15                      | -.0006                        | 15T    | 0          | 39T    | 24         |
| 15   | 75.000                                  | 2.9528 |                          |                               | 19L    | -19        | 11T    | 11         |
| 16   | 80.000                                  | 3.1496 |                          |                               |        |            |        |            |
| 17   | 85.000                                  | 3.3465 |                          |                               |        |            |        |            |
| 18   | 90.000                                  | 3.5433 |                          |                               | .0008T | -.0000     | .0019T | 0.0011     |
| 19   | 95.000                                  | 3.7402 | 0                        | 0.0000                        | .0009L | -.0009     | .0005T | 0.0005     |
| 20   | 100.000                                 | 3.9370 | -20                      | -.0008                        | 20T    | 0          | 48T    | 28         |
| 21   | 105.000                                 | 4.1339 |                          |                               | 22L    | -22        | 13T    | 13         |
| 22   | 110.000                                 | 4.3307 |                          |                               |        |            |        |            |
| 24   | 120.000                                 | 4.7244 |                          |                               |        |            |        |            |
| 26   | 130.000                                 | 5.1181 |                          |                               |        |            |        |            |
| 28   | 140.000                                 | 5.5118 |                          |                               | .0010T | -.0000     | .0023T | 0.0013     |
| 30   | 150.000                                 | 5.9055 | 0                        | 0.0000                        | .0010L | -.0010     | .0006T | 0.0006     |
| 32   | 160.000                                 | 6.2992 | -25                      | -.0010                        | 25T    | 0          | 58T    | 33         |
| 34   | 170.000                                 | 6.6929 |                          |                               | 25L    | -25        | 15T    | 13         |
| 36   | 180.000                                 | 7.0866 |                          |                               |        |            |        |            |
|  |   |        |                          |                               | .0012T | 0.000      | .0026T | 0.0014     |
| 38   | 190.000                                 | 7.4803 | 0                        | 0.0000                        | .0012L | -.0012     | .0006T | 0.0006     |
| 40   | 200.000                                 | 7.8740 | -30                      | -.0012                        | 30T    | 0          | 67T    | 37         |
|  |   |        |                          |                               | 29L    | -29        | 17T    | 17         |



### Class of Fit Selection

| Operating conditions<br>■   | Nominal shaft dia.   |           | Class of fit | Remarks                    |
|---|----------------------|-----------|--------------|----------------------------|
|   | mm                   | inches    |              |                            |
| Inner ring stationary in relation to direction of load                      | <i>All diameters</i> |           | h6           | Tap fit inner ring         |
| Inner ring rotating in relation to direction of load (Normal load m=0.18C)● | 17-40                | 0.67-1.57 | m5           | Press fit inner ring       |
|   | 40-65                | 1.57-2.56 | m6           |                            |
|   | 65-140               | 2.56-5.52 | n6           |                            |
|   | 140-200              | 5.52-7.88 | p6           |                            |
| Inner ring rotating in relation to direction of load (Heavy load >.018C)●   | 35-65                | 1.37-2.56 | n6           | Heavy press fit inner ring |
|   | 65-140               | 2.56-5.52 | p6           |                            |
|   | 140-200              | 5.52-7.88 | r6           |                            |

### Bearing/Shaft Diameter Fit

| Bearing Series 1000, 1200, 1300, 1900, 5200, 5300, 7300 | m6         |        | n6         |        | p6         |        | r6         |        |            |
|---|------------|--------|------------|--------|------------|--------|------------|--------|------------|
|   | Tolerance  |        | Tolerance  |        | Tolerance  |        | Tolerance  |        |            |
|   | Basic size | Fit    | Shaft dia. | Fit    | Shaft dia. | Fit    | Shaft dia. | Fit    | Shaft dia. |
| 04  | .....      | .....  | .....      | .....  | .....      | .....  | .....      | .....  | .....      |
| 05  | .....      | .....  | .....      | .....  | .....      | .....  | .....      | .....  | .....      |
| 06  | .....      | .....  | .....      | .....  | .....      | .....  | .....      | .....  | .....      |
| 07  | .0015T     | 0.0010 | .0018T     | 0.0013 | .....      | .....  | .....      | .....  | .....      |
| thru  | .0004T     | 0.0004 | .0007T     | 0.0007 | .....      | .....  | .....      | .....  | .....      |
| 10  | 38T        | 25     | 46T        | 33     | .....      | .....  | .....      | .....  | .....      |
|   | 9T         | 9      | 17T        | 17     | .....      | .....  | .....      | .....  | .....      |
| 11  | .0018T     | 0.0012 | .0021T     | 0.0015 | .0027T     | 0.0021 | .....      | .....  | .....      |
| thru  | .0005T     | 0.0005 | .0008T     | 0.0008 | .0014T     | 0.0014 | .....      | .....  | .....      |
| 16  | 45T        | 30     | 54T        | 39     | 66T        | 51     | .....      | .....  | .....      |
|   | 11T        | 11     | 20T        | 20     | 32T        | 32     | .....      | .....  | .....      |
| 17  | .0022T     | 0.0014 | .0027T     | 0.0019 | .0033T     | 0.0025 | .0037T     | 0.0029 | 0.0029     |
| thru  | .0005T     | 0.0005 | .0010T     | 0.0010 | .0016T     | 0.0016 | .0020T     | 0.0020 | 0.0020     |
| 24  | 55T        | 35     | 65T        | 45     | 79T        | 59     | 96T        | 76     | 76         |
|   | 13T        | 13     | 23T        | 23     | 37T        | 37     | 54T        | 54     | 54         |
| 26  | .0026T     | 0.0016 | .0032T     | 0.0022 | .0038T     | 0.0028 | .0045T     | 0.0035 | 0.0035     |
| thru  | .0006T     | 0.0006 | .0012T     | 0.0012 | .0018T     | 0.0018 | .0025T     | 0.0025 | 0.0025     |
| 36  | 65T        | 40     | 77T        | 52     | 93T        | 68     | 118T       | 93     | 93         |
|   | 15T        | 15     | 27T        | 27     | 43T        | 43     | 68T        | 68     | 68         |
|   | .0030T     | 0.0018 | .0038T     | 0.0026 | .0044T     | 0.0032 | .0054T     | 0.0042 | 0.0042     |
| 38  | .0006T     | 0.0006 | .0014T     | 0.0014 | .0020T     | 0.0020 | .0030T     | 0.0030 | 0.0030     |
| 40  | 76T        | 46     | 90T        | 60     | 109T       | 79     | 136T       | 106    | 106        |
|   | 17T        | 17     | 31T        | 31     | 50T        | 50     | 77T        | 77     | 77         |

▲ Symbol L indicates a loose or clearance fit. Symbol T indicates a tight or interference fit. The appropriate shaft diameter for any class of fit can be easily determined by applying the shaft tolerance to the nominal shaft diameter. Example: (Using basic bearing size 03 and fit class h6)

|                          |          |        |           |        |
|--------------------------|----------|--------|-----------|--------|
|                          | inches   |        | mm        |        |
| Nominal shaft diameter   | = .6693  | .6693  | = 17.000  | 17.000 |
| Shaft diameter tolerance | = +.0000 | -.0004 | = + 0.000 | -0.010 |

▲ The arithmetical mean of the largest and smallest single diameter to be within tolerance shown. Allowable deviations from mean diameter per ANSI/ABMA STD 20, latest printing.

Resultant shaft diameter = .6693 .6689 = 17.000 16.989

1µm = .001 mm

■ For solid steel shafts.

● C = Basic Load Rating of bearing.

## Housing Bearing Seat Diameters

Bearing outside diameter tolerances are in accordance with the system of tolerancing established by the International Standards Organization (ISO) and adopted by the American Bearing Manufacturers Association (ABMA) and the American National Standards Institute (ANSI).

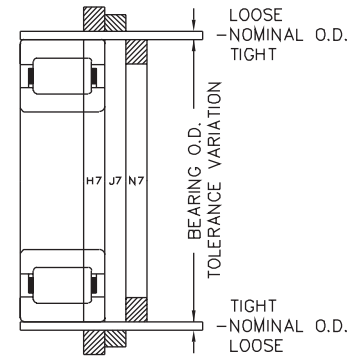
A system of limits and fits has been established by ISO for holes. A portion of this system has been adopted by ABMA to provide flexibility in selecting housing fits. Housing fits are designated by a capital letter and a number such as H7. The letter indicates the location of the housing bore tolerance limits with respect to the nominal bearing O.D. The number indicates the size of the tolerance zone.

Housing fits recommended for various types of applications are listed in the table at the right. A graphic relationship of various housing fits is illustrated in the figure at the left. The class of fit is determined by nature of loading (oscillating, vibrating, reversing, etc.), axial movement requirements, temperature conditions, housing material and cross section of housing.

Shaft expansion increases bearing center distances and requires all but one bearing on a shaft to be movable axially in the housing. In most bearings the outer rings are subjected to stationary loads which permit a loose housing fit.

Operating temperature may affect the housing fit, as the housing may dissipate heat rapidly and not expand with the outer ring. However, the loose fit must never be greater than necessary. Excessive looseness results in less accurate shaft centering and additional ring deformation under load.

The appropriate housing bores are determined (as shown) from the tables below.



### Class of Fit and Housing Bores (inches/μm)

| Bearing Series |      |      |      |                                       |                         | Bearing/Housing Diameter Fits▲ |              |           |              |           |              |         |
|----------------|------|------|------|---------------------------------------|-------------------------|--------------------------------|--------------|-----------|--------------|-----------|--------------|---------|
| 1900           | 1000 | 1200 | 1300 | Nominal Bearing O.D. And Housing Bore | Bearing O.D. ToleranceΔ | H7                             |              | J7        |              | N7        |              |         |
|                |      |      |      |                                       |                         | Tolerance                      |              | Tolerance |              | Tolerance |              |         |
| Basic Size     |      |      |      | mm                                    | inches                  | Fit                            | Housing Bore | Fit       | Housing Bore | Fit       | Housing Bore |         |
| ...            | ...  | 205  | 304  | 52                                    | 2.0472                  | 0                              | 0            | .0004T    | -0.0004      | .0002L    | -0.0003      |         |
| ...            | ...  | 206  | 305  | 62                                    | 2.4409                  | -.0005                         | .0017L       | 0.0012    | .0013L       | ±.0008    | .0015T       | -0.0015 |
| ...            | ...  | 207  | 306  | 72                                    | 2.8346                  | 0                              | 0            | 12T       | -12          | 4L        | -9           |         |
| 911            | 010  | 208  | 307  | 80                                    | 3.1496                  | -13                            | 43L          | 30        | 31L          | -18       | 39T          | -39     |
| 912            | ...  | 209  | ...  | 85                                    | 3.3465                  | 0                              | 0            | 0         | .0005T       | -0.0005   | .0002L       | -0.0004 |
| 913            | 011  | 210  | 308  | 90                                    | 3.5433                  | 0                              | 0            | 0         | .0005T       | -0.0005   | .0002L       | -0.0004 |
| ...            | 012  | ...  | ...  | 95                                    | 3.7402                  | 0                              | 0            | 0         | .0005T       | -0.0005   | .0002L       | -0.0004 |
| 914            | 013  | 211  | 309  | 100                                   | 3.9370                  | -.0006                         | .0020L       | 0.0014    | .0015L       | 0.0009    | .0018T       | -0.0018 |
| 915            | ...  | ...  | ...  | 105                                   | 4.1339                  | 0                              | 0            | 0         | 13T          | -13       | 5L           | -10     |
| 916            | 014  | 212  | 310  | 110                                   | 4.3307                  | -15                            | 50L          | 35        | 37L          | 22        | 45T          | -45     |
| ...            | 015  | ...  | ...  | 115                                   | 4.5276                  | 0                              | 0            | 0         | 0            | 0         | 0            | 0       |
| 917            | ...  | 213  | 311  | 120                                   | 4.7244                  | 0                              | 0            | 0         | .0006T       | -0.0006   | .0002L       | -0.0006 |
| 918            | 016  | 214  | ...  | 125                                   | 4.9213                  | 0                              | 0            | 0         | .0006T       | -0.0006   | .0002L       | -0.0006 |
| 919            | 017  | 215  | 312  | 130                                   | 5.1181                  | -.0008                         | .0024L       | 0.0016    | .0018L       | 0.0010    | .0022T       | -0.0002 |
| 920            | 018  | 216  | 313  | 140                                   | 5.5118                  | 0                              | 0            | 0         | 14T          | -14       | 6L           | -12     |
| 921            | 019  | ...  | ...  | 145                                   | 5.7087                  | -20                            | 61L          | 41        | 44L          | 26        | 52T          | -52     |
| 922            | 020  | 217  | 314  | 150                                   | 5.9055                  | 0                              | 0            | 0         | .0006T       | -0.0006   | .0004L       | -0.0006 |
| ...            | 021  | 218  | 315  | 160                                   | 6.2992                  | 0                              | 0            | 0         | .0006T       | -0.0006   | .0004L       | -0.0006 |
| 924            | ...  | ...  | ...  | 165                                   | 6.4961                  | -.0010                         | .0026L       | 0.0016    | .0020L       | 0.001     | .0022T       | -0.0022 |
| ...            | 022  | 219  | 316  | 170                                   | 6.6929                  | 0                              | 0            | 0         | 14T          | -14       | 13L          | -12     |
| 926            | 024  | 220  | 317  | 180                                   | 7.0866                  | -25                            | 65L          | 40        | 51L          | 26        | 57T          | -52     |
| 928            | ...  | 221  | 318  | 190                                   | 7.4803                  | 0                              | 0            | 0         | .0007T       | -0.0007   | .0004L       | -0.0008 |
| ...            | 026  | 222  | 319  | 200                                   | 7.8740                  | 0                              | 0            | 0         | .0007T       | -0.0007   | .0004L       | -0.0008 |
| 930            | 028  | ...  | ...  | 210                                   | 8.2677                  | 0                              | 0            | 0         | .0007T       | -0.0007   | .0004L       | -0.0008 |
| ...            | ...  | 224  | 320  | 215                                   | 8.4646                  | -0.0012                        | .0030L       | 0.0018    | .0023L       | 0.0011    | .0026T       | -0.0026 |
| 932            | ...  | ...  | 321  | 220                                   | 8.6614                  | 0                              | 0            | 0         | 16T          | -16       | 16L          | -14     |
| ...            | 030  | ...  | ...  | 225                                   | 8.8583                  | 0                              | 0            | 0         | 16T          | -16       | 16L          | -14     |
| 934            | ...  | 226  | 322  | 230                                   | 9.0551                  | -30                            | 76L          | 46        | 60L          | 30        | 60T          | -60     |
| ...            | 032  | ...  | ...  | 240                                   | 9.4488                  | 0                              | 0            | 0         | .0007T       | -0.0007   | .0006L       | -0.0008 |
| 936            | ...  | 228  | ...  | 250                                   | 9.8425                  | 0                              | 0            | 0         | .0007T       | -0.0007   | .0006L       | -0.0008 |
| 938            | 034  | ...  | 324  | 260                                   | 10.2362                 | 0                              | 0            | 0         | .0007T       | -0.0007   | .0006L       | -0.0008 |
| ...            | ...  | 230  | ...  | 270                                   | 10.6299                 | -.0014                         | .0034L       | 0.002     | .0027L       | 0.0013    | .0028T       | -0.0028 |
| 940            | 036  | ...  | 326  | 280                                   | 11.0236                 | 0                              | 0            | 0         | 16T          | -16       | 21L          | -14     |
| ...            | 038  | 232  | ...  | 290                                   | 11.4173                 | -35                            | 87L          | 52        | 71L          | 36        | 66T          | -66     |
| ...            | ...  | ...  | 328  | 300                                   | 11.8110                 | 0                              | 0            | 0         | .0007T       | -0.0007   | .0008L       | -0.0008 |
| ...            | 040  | 234  | ...  | 310                                   | 12.2047                 | 0                              | 0            | 0         | .0007T       | -0.0007   | .0008L       | -0.0008 |
| ...            | ...  | 236  | 330  | 320                                   | 12.5984                 | -.0016                         | .0038L       | 0.0022    | .0030L       | 0.0014    | .0030T       | -0.003  |
| ...            | ...  | 238  | ...  | 340                                   | 13.3858                 | 0                              | 0            | 0         | 8T           | -18       | 24L          | -16     |
| ...            | ...  | 240  | ...  | 360                                   | 14.1732                 | -40                            | 97L          | 57        | 79L          | 39        | 73T          | -73     |

1 μm = .001 mm

□ Minimum housing bore is same as ABMA fit class; tolerance is within ABMA range.

■ Style A outer ring has oversize O.D. designed to give a heavy press fit with a tap fit housing bore. Inner ring to be press fit for values.

Δ The arithmetical mean of the largest and smallest single diameter to be within tolerance shown.

Allowable deviations from mean diameter per ANSI/ABMA STD 20, latest printing.

### Class of Fit Selection

| Operating conditions                                | Class of fit | Remarks  |
|---|--------------|--|
| Housing stationary in relation to direction of load | H7           | Push fit outer ring for non-separable bearing styles MU...UV and MU...UM |
| Housing stationary in relation to direction of load | J7□          | Tap fit outer ring   |
| Housing rotating in relation to direction of load   | N7□          | Press fit outer ring   |
|   | ■            | Heavy press fit with Style A outer ring                                  |

### Heavy Press Fit With Style A Outer Ring (inches/μm)

| Bearing Series |      |              |                      | Nominal Bearing O.D. And Housing Bore Style A Outer Ring | Bearing O.D. Tolerance Δ | Bearing/Housing Diameter Fits ▲ |        |      |        |              |
|----------------|------|--------------|----------------------|--|--------------------------|---------------------------------|--------|------|--------|--------------|
| 1900           | 1000 | 1200<br>5200 | 1300<br>5300<br>7300 |  |                          | Tolerance                       |        |      |        |              |
| Basic Size     |      |              |                      |  |                          | mm                              | inches | Fit  |        | Housing Bore |
| ...            | ...  | 205          | 304                  | 52.024   | 2.0482                   | 0.0000                          | .00000 | 0    | -.0005 | -13          |
| ...            | ...  | 206          | 305                  | 62.029   | 2.4421                   | -0.0005                         | .0014T | 35T  | -.0014 | -35          |
| ...            | ...  | 207          | 306                  | 72.032   | 2.8359                   | 0                               | .0001T | 2T   | -.0006 | -15          |
| ...            | ...  | 208          | 307                  | 80.035   | 3.151                    | -13                             | .0016T | 40T  | -.0016 | -40          |
| 911            | 010  | 208          | 307                  | 80.035   | 3.151                    | 0                               | .0002T | 5T   | -.0007 | -18          |
| 912            | ...  | 209          | ...                  | 85.039   | 3.348                    | 0                               | .0017T | 43T  | -.0017 | -43          |
| 913            | 011  | 210          | 308                  | 90.04  | 3.5449                   | 0                               | .0003T | 7T   | -.0008 | -20          |
| ...            | 012  | ...          | ...                  | 95.044   | 3.7419                   | 0                               | .0018T | 45T  | -.0018 | -45          |
| 914            | 013  | 211          | 309                  | 100.046  | 3.9388                   | 0                               | .0004T | 10T  | -.0010 | -25          |
| 915            | ...  | ...          | ...                  | 105.049  | 4.1358                   | -0.0006                         | .0020T | 50T  | -.0020 | -50          |
| 916            | 014  | 212          | 310                  | 110.056  | 4.3329                   | 0                               | .0005T | 13T  | -.0011 | -28          |
| 917            | 015  | ...          | ...                  | 115.057  | 4.5298                   | 0                               | .0021T | 53T  | -.0021 | -53          |
| 918            | 016  | 214          | 311                  | 120.056  | 4.7266                   | -15                             | .0006T | 15T  | -.0012 | -30          |
| 919            | 017  | 215          | 312                  | 125.059  | 4.9236                   | 0                               | .0022T | 56T  | -.0022 | -56          |
| 920            | 018  | 216          | 313                  | 130.058  | 5.1204                   | 0                               | .0007T | 18T  | -.0013 | -33          |
| 921            | 019  | ...          | ...                  | 140.058  | 5.5141                   | -15                             | .0023T | 58T  | -.0023 | -58          |
| 922            | 020  | 217          | 314                  | 145.067  | 5.7113                   | 0                               | .0008T | 20T  | -.0014 | -35          |
| 923            | 021  | 218          | 315                  | 150.066  | 5.9081                   | 0                               | .0024T | 61T  | -.0024 | -61          |
| 924            | 022  | 219          | 316                  | 160.071  | 6.302                    | 0                               | .0009T | 23T  | -.0017 | -38          |
| 925            | 023  | 220          | 317                  | 165.072  | 6.4989                   | 0                               | .0027T | 69T  | -.0027 | -69          |
| 926            | 024  | 220          | 317                  | 170.071  | 6.6957                   | 0.0000                          | .0009T | 23T  | -.0017 | -38          |
| 927            | 025  | 221          | 318                  | 180.071  | 7.0894                   | -0.0008                         | .0029T | 74T  | -.0029 | -74          |
| 928            | 026  | 222          | 319                  | 190.076  | 7.4833                   | 0                               | .0010T | 25T  | -.0018 | -45          |
| 929            | 027  | 223          | 320                  | 200.078  | 7.8771                   | -20                             | .0032T | 81T  | -.0032 | -81          |
| 930            | 028  | ...          | ...                  | 210.081  | 8.2709                   | 0.0000                          | .0010T | 25T  | -.0020 | -50          |
| 931            | 029  | ...          | ...                  | 220.088  | 8.6649                   | -0.0010                         | .0034T | 86T  | -.0034 | -86          |
| 932            | 030  | ...          | 321                  | 225.09   | 8.8618                   | 0                               | .0011T | 28T  | -.0023 | -58          |
| 933            | 031  | ...          | ...                  | 230.091  | 9.0587                   | -30                             | .0037T | 94T  | -.0037 | -94          |
| 934            | 032  | 226          | 322                  | 240.096  | 9.4526                   | 0                               | .0012T | 30T  | -.0024 | -60          |
| 935            | 033  | ...          | ...                  | 250.096  | 9.8463                   | 0                               | .0038T | 97T  | -.0038 | -97          |
| 936            | 034  | 228          | 324                  | 260.101  | 10.2402                  | 0                               | .0013T | 33T  | -.0025 | -63          |
| 937            | 035  | ...          | ...                  | 270.101  | 10.6339                  | -30                             | .0039T | 99T  | -.0039 | -99          |
| 938            | 036  | 230          | 326                  | 280.101  | 11.0276                  | 0                               | .0013T | 33T  | -.0025 | -63          |
| 939            | 037  | ...          | ...                  | 290.109  | 11.4216                  | 0                               | .0041T | 104T | -.0041 | -104         |
| 940            | 038  | 232          | 328                  | 300.111  | 11.8154                  | 0                               | .0014T | 36T  | -.0026 | -66          |
| 941            | 039  | ...          | ...                  | 310.111  | 12.2091                  | -40                             | .0042T | 107T | -.0042 | -107         |
| 942            | 040  | 234          | 330                  | 320.121  | 12.6032                  | 0                               | .0015T | 38T  | -.0027 | -68          |
| 943            | 041  | ...          | ...                  | 330.121  | 13.0000                  | 0                               | .0043T | 109T | -.0043 | -109         |
| 944            | 042  | 236          | 332                  | 340.121  | 13.3906                  | 0                               | .0015T | 38T  | -.0027 | -68          |
| 945            | 043  | ...          | ...                  | 350.124  | 13.7844                  | -40                             | .0045T | 114T | -.0045 | -114         |
| 946            | 044  | 238          | 334                  | 360.124  | 14.1781                  | 0                               | .0015T | 38T  | -.0027 | -68          |
| 947            | 045  | ...          | ...                  | 370.124  | 14.5719                  | 0                               | .0015T | 38T  | -.0027 | -68          |
| 948            | 046  | 240          | 336                  | 380.124  | 14.9657                  | 0                               | .0015T | 38T  | -.0027 | -68          |
| 949            | 047  | ...          | ...                  | 390.124  | 15.3595                  | 0                               | .0015T | 38T  | -.0027 | -68          |
| 950            | 048  | 242          | 338                  | 400.124  | 15.7533                  | 0                               | .0015T | 38T  | -.0027 | -68          |
| 951            | 049  | ...          | ...                  | 410.124  | 16.1471                  | 0                               | .0015T | 38T  | -.0027 | -68          |
| 952            | 050  | 244          | 340                  | 420.124  | 16.5409                  | 0                               | .0015T | 38T  | -.0027 | -68          |
| 953            | 051  | ...          | ...                  | 430.124  | 16.9347                  | 0                               | .0015T | 38T  | -.0027 | -68          |
| 954            | 052  | 246          | 342                  | 440.124  | 17.3285                  | 0                               | .0015T | 38T  | -.0027 | -68          |
| 955            | 053  | ...          | ...                  | 450.124  | 17.7223                  | 0                               | .0015T | 38T  | -.0027 | -68          |
| 956            | 054  | 248          | 344                  | 460.124  | 18.1161                  | 0                               | .0015T | 38T  | -.0027 | -68          |
| 957            | 055  | ...          | ...                  | 470.124  | 18.5099                  | 0                               | .0015T | 38T  | -.0027 | -68          |
| 958            | 056  | 250          | 346                  | 480.124  | 18.9037                  | 0                               | .0015T | 38T  | -.0027 | -68          |
| 959            | 057  | ...          | ...                  | 490.124  | 19.2975                  | 0                               | .0015T | 38T  | -.0027 | -68          |
| 960            | 058  | 252          | 348                  | 500.124  | 19.6913                  | 0                               | .0015T | 38T  | -.0027 | -68          |
| 961            | 059  | ...          | ...                  | 510.124  | 20.0851                  | 0                               | .0015T | 38T  | -.0027 | -68          |
| 962            | 060  | 254          | 350                  | 520.124  | 20.4789                  | 0                               | .0015T | 38T  | -.0027 | -68          |
| 963            | 061  | ...          | ...                  | 530.124  | 20.8727                  | 0                               | .0015T | 38T  | -.0027 | -68          |
| 964            | 062  | 256          | 352                  | 540.124  | 21.2665                  | 0                               | .0015T | 38T  | -.0027 | -68          |
| 965            | 063  | ...          | ...                  | 550.124  | 21.6603                  | 0                               | .0015T | 38T  | -.0027 | -68          |
| 966            | 064  | 258          | 354                  | 560.124  | 22.0541                  | 0                               | .0015T | 38T  | -.0027 | -68          |
| 967            | 065  | ...          | ...                  | 570.124  | 22.4479                  | 0                               | .0015T | 38T  | -.0027 | -68          |
| 968            | 066  | 260          | 356                  | 580.124  | 22.8417                  | 0                               | .0015T | 38T  | -.0027 | -68          |
| 969            | 067  | ...          | ...                  | 590.124  | 23.2355                  | 0                               | .0015T | 38T  | -.0027 | -68          |
| 970            | 068  | 262          | 358                  | 600.124  | 23.6293                  | 0                               | .0015T | 38T  | -.0027 | -68          |
| 971            | 069  | ...          | ...                  | 610.124  | 24.0231                  | 0                               | .0015T | 38T  | -.0027 | -68          |
| 972            | 070  | 264          | 360                  | 620.124  | 24.4169                  | 0                               | .0015T | 38T  | -.0027 | -68          |
| 973            | 071  | ...          | ...                  | 630.124  | 24.8107                  | 0                               | .0015T | 38T  | -.0027 | -68          |
| 974            | 072  | 266          | 362                  | 640.124  | 25.2045                  | 0                               | .0015T | 38T  | -.0027 | -68          |
| 975            | 073  | ...          | ...                  | 650.124  | 25.5983                  | 0                               | .0015T | 38T  | -.0027 | -68          |
| 976            | 074  | 268          | 364                  | 660.124  | 25.9921                  | 0                               | .0015T | 38T  | -.0027 | -68          |
| 977            | 075  | ...          | ...                  | 670.124  | 26.3859                  | 0                               | .0015T | 38T  | -.0027 | -68          |
| 978            | 076  | 270          | 366                  | 680.124  | 26.7797                  | 0                               | .0015T | 38T  | -.0027 | -68          |
| 979            | 077  | ...          | ...                  | 690.124  | 27.1735                  | 0                               | .0015T | 38T  | -.0027 | -68          |
| 980            | 078  | 272          | 368                  | 700.124  | 27.5673                  | 0                               | .0015T | 38T  | -.0027 | -68          |
| 981            | 079  | ...          | ...                  | 710.124  | 27.9611                  | 0                               | .0015T | 38T  | -.0027 | -68          |
| 982            | 080  | 274          | 370                  | 720.124  | 28.3549                  | 0                               | .0015T | 38T  | -.0027 | -68          |
| 983            | 081  | ...          | ...                  | 730.124  | 28.7487                  | 0                               | .0015T | 38T  | -.0027 | -68          |
| 984            | 082  | 276          | 372                  | 740.124  | 29.1425                  | 0                               | .0015T | 38T  | -.0027 | -68          |
| 985            | 083  | ...          | ...                  | 750.124  | 29.5363                  | 0                               | .0015T | 38T  | -.0027 | -68          |
| 986            | 084  | 278          | 374                  | 760.124  | 29.9301                  | 0                               | .0015T | 38T  | -.0027 | -68          |
| 987            | 085  | ...          | ...                  | 770.124  | 30.3239                  | 0                               | .0015T | 38T  | -.0027 | -68          |
| 988            | 086  | 280          | 376                  | 780.124  | 30.7177                  | 0                               | .0015T | 38T  | -.0027 | -68          |
| 989            | 087  | ...          | ...                  | 790.124  | 31.1115                  | 0                               | .0015T | 38T  | -.0027 | -68          |
| 990            | 088  | 282          | 378                  | 800.124  | 31.5053                  | 0                               | .0015T | 38T  | -.0027 | -68          |
| 991            | 089  | ...          | ...                  | 810.124  | 31.8991                  | 0                               | .0015T | 38T  | -.0027 | -68          |
| 992            | 090  | 284          | 380                  | 820.124  | 32.2929                  | 0                               | .0015T | 38T  | -.0027 | -68          |
| 993            | 091  | ...          | ...                  | 830.124  | 32.6867                  | 0                               | .0015T | 38T  | -.0027 | -68          |
| 994            | 092  | 286          | 382                  | 840.124  | 33.0805                  | 0                               | .0015T | 38T  | -.0027 | -68          |
| 995            | 093  | ...          | ...                  | 850.124  | 33.4743                  | 0                               | .0015T | 38T  | -.0027 | -68          |
| 996            | 094  | 288          | 384                  | 860.124  | 33.8681                  | 0                               | .0015T | 38T  | -.0027 | -68          |
| 997            | 095  | ...          | ...                  | 870.124  | 34.2619                  | 0                               | .0015T | 38T  | -.0027 | -68          |
| 998            | 096  | 290          | 386                  | 880.124  | 34.6557                  | 0                               | .0015T | 38T  | -.0027 | -68          |
| 999            | 097  | ...          | ...                  | 890.124  | 35.0495                  | 0                               | .0015T | 38T  | -.0027 | -68          |
| 1000           | 098  | 292          | 388                  | 900.124  | 35.4433                  | 0                               | .0015T | 38T  | -.0027 | -68          |

▲ Symbol L indicates a loose or clearance fit. Symbol T indicates a tight or interference fit. The appropriate housing bore for any class of fit can be easily determined by applying the housing tolerance to the nominal housing bore. Example: (Using basic bearing size 926 and fit class N7)

|                        |          |        |           |
|------------------------|----------|--------|-----------|
|                        | inches   | mm     |           |
| Nominal housing bore   | = 7.0866 | 7.0866 | = 180.000 |
| Housing bore tolerance | = -.0006 | -.0022 | = -.012   |
| Resultant housing bore | = 7.0860 | 7.0844 | = 179.988 |

## Operation Without Inner Ring/Outer Ring

### Outer Ring and Roller Assembly

for Series M-EX, M-EAX, M-EB, M-EAB, M-TV, M-TAV, M-UV and M-UAV

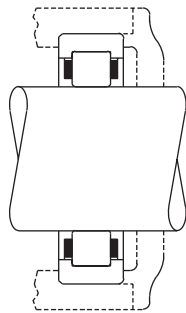
Cylindrical roller bearings with the inner ring omitted may be installed so that the rollers operate directly on the surface of the shaft.

This type of design is useful for applications where space is limited or a larger shaft is required. Surface hardness of shaft must be Rockwell C59 to C64 to achieve full bearing capacity. Where the required hardness cannot be attained, the bearing rating must be reduced accordingly. Where the shaft is case hardened, the combination of case depth and core hardness must be adequate. Consult Rexnord Bearing Division for a specific recommendation. Shaft surface should be finished to a roughness value of 13 micro-inches, RMS, maximum (.33 μm).

Maximum and minimum shaft diameter values for tap fit and press fit outer rings are listed below.

### Hardness Factor

If operation at rated capacity is desired when cylindrical roller bearings are used with either ring omitted, the surface on which the rollers operate must have a hardness of Rockwell C59 to C64 or equivalent Brinell hardness (see chart below). If this hardness cannot be attained, the bearing C capacity must be reduced by a rating reduction factor determined from chart on facing page.



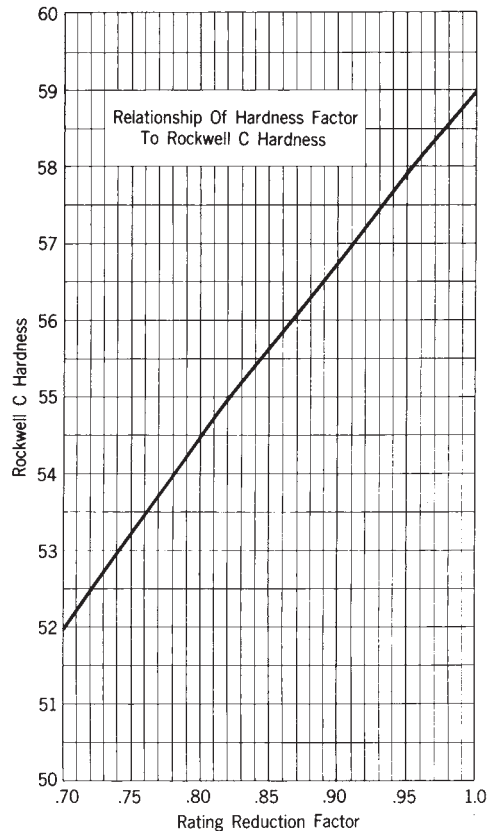
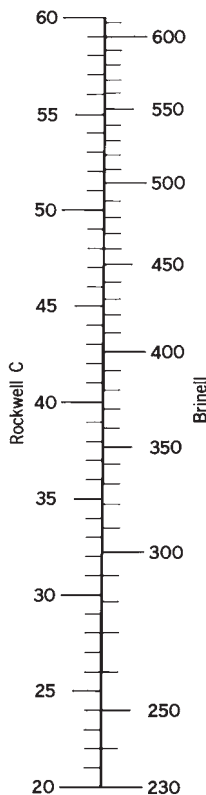
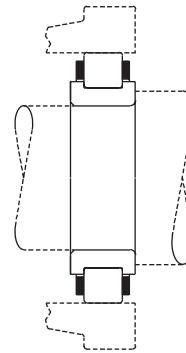
### Inner Ring and Roller Assembly

for Series MU-X, MU-B

Cylindrical roller bearings with the outer ring omitted may be installed so that the rollers operate directly on the hardened and ground surface of a bore in an alloy steel housing.

This type of design is useful for applications where space is limited and a smaller housing bore or a larger bearing and shaft are required. Housing surface hardness must be Rockwell C59 to C64 or Brinell equivalent to achieve full bearing capacity. Where the required hardness cannot be attained, the bearing rating must be reduced accordingly. See graph for rating reduction factor. Where the housing bore is case hardened, the combination of case depth and core hardness must be adequate. Consult Rexnord Bearing Division for a specific recommendation. Housing surface should be finished to a roughness value of 13 micro-inches, A.A., maximum (.33 μm).

Maximum and minimum housing bore values for tap fit and press fit inner rings are listed on the next page.



### Shaft Diameters for Outer Ring

| Shaft Diameter for Tap Fit Outer Ring ▲ |           |        |           |                |        |        |           |                | Shaft Diameter for Press Fit Outer Ring |        |           |                |        |        |           |                |           |  |  |  |  |  |  |  |
|---|-----------|--------|-----------|----------------|--------|--------|-----------|----------------|---|--------|-----------|----------------|--------|--------|-----------|----------------|-----------|--|--|--|--|--|--|--|
| Bearing series                          | 1900      | 1000   | 1200-5200 | 1300-5300-7300 | 1900   | 1000   | 1200-5200 | 1300-5300-7300 | 1900                                    | 1000   | 1200-5200 | 1300-5300-7300 | 1900   | 1000   | 1200-5200 | 1300-5300-7300 |           |  |  |  |  |  |  |  |
| Basic size                              | (max-min) |        |           |                |        |        |           |                | inches                                  |        |           |                |        |        |           |                | (max-min) |  |  |  |  |  |  |  |
| 03                                      | .....     | .....  | 0.8757    | 0.8753         | 0.8725 | 0.8721 | 0.9803    | 0.9799         | .....                                   | .....  | 0.8750    | 0.8746         | 0.8718 | 0.8714 | 0.9796    | 0.9792         |           |  |  |  |  |  |  |  |
| 04                                      | 0.9769    | 0.9765 | 1.0329    | 1.0325         | 1.1092 | 1.1087 | 1.1013    | 1.1008         | 0.9762                                  | 0.9758 | 1.0322    | 1.0318         | 1.1085 | 1.1080 | 1.1005    | 1.1000         |           |  |  |  |  |  |  |  |
| 05                                      | 1.1759    | 1.1754 | 1.2259    | 1.2254         | 1.2672 | 1.2667 | 1.3383    | 1.3378         | 1.1753                                  | 1.1748 | 1.2253    | 1.2248         | 1.2665 | 1.2660 | 1.3376    | 1.3371         |           |  |  |  |  |  |  |  |
| 06                                      | 1.3710    | 1.3705 | 1.4523    | 1.4518         | 1.4994 | 1.4989 | 1.6024    | 1.6019         | 1.3704                                  | 1.3699 | 1.4515    | 1.4510         | 1.4986 | 1.4981 | 1.6016    | 1.6011         |           |  |  |  |  |  |  |  |
| 07                                      | 1.6112    | 1.6107 | 1.6611    | 1.6606         | 1.7322 | 1.7317 | 1.8452    | 1.8447         | 1.6104                                  | 1.6099 | 1.6603    | 1.6598         | 1.7314 | 1.7309 | 1.8444    | 1.8439         |           |  |  |  |  |  |  |  |
| 08                                      | 1.8061    | 1.8056 | 1.8777    | 1.8772         | 1.9667 | 1.9662 | 2.0600    | 2.0595         | 1.8054                                  | 1.8049 | 1.8770    | 1.8765         | 1.9660 | 1.9655 | 2.0590    | 2.0585         |           |  |  |  |  |  |  |  |
| 09                                      | 2.0263    | 2.0258 | 2.0831    | 2.0825         | 2.1870 | 2.1864 | 2.3382    | 2.3376         | 2.0255                                  | 2.0250 | 2.0823    | 2.0817         | 2.1861 | 2.1855 | 2.3373    | 2.3367         |           |  |  |  |  |  |  |  |
| 10                                      | 2.2014    | 2.2008 | 2.2802    | 2.2796         | 2.3816 | 2.3810 | 2.5660    | 2.5654         | 2.2006                                  | 2.2000 | 2.2794    | 2.2788         | 2.3807 | 2.3801 | 2.5651    | 2.5645         |           |  |  |  |  |  |  |  |
| 11                                      | 2.4316    | 2.4310 | 2.5408    | 2.5402         | 2.6354 | 2.6348 | 2.8136    | 2.8130         | 2.4308                                  | 2.4302 | 2.5398    | 2.5392         | 2.6344 | 2.6338 | 2.8127    | 2.8121         |           |  |  |  |  |  |  |  |
| 12                                      | 2.6316    | 2.6310 | 2.7377    | 2.7371         | 2.8511 | 2.8505 | 3.0545    | 3.0538         | 2.6307                                  | 2.6301 | 2.7368    | 2.7362         | 2.8502 | 2.8496 | 3.0534    | 3.0527         |           |  |  |  |  |  |  |  |
| 13                                      | 2.8267    | 2.8261 | 2.9348    | 2.9341         | 3.1677 | 3.1670 | 3.2957    | 3.2950         | 2.8258                                  | 2.8252 | 2.9339    | 2.9332         | 3.1668 | 3.1661 | 3.2946    | 3.2939         |           |  |  |  |  |  |  |  |
| 14                                      | 3.0719    | 3.0712 | 3.1588    | 3.1581         | 3.3392 | 3.3385 | 3.5132    | 3.5125         | 3.0710                                  | 3.0703 | 3.1579    | 3.1572         | 3.3381 | 3.3374 | 3.5120    | 3.5113         |           |  |  |  |  |  |  |  |
| 15                                      | 3.2669    | 3.2662 | 3.3569    | 3.3562         | 3.5063 | 3.5056 | 3.7780    | 3.7772         | 3.2660                                  | 3.2653 | 3.3560    | 3.3553         | 3.5052 | 3.5045 | 3.7769    | 3.7761         |           |  |  |  |  |  |  |  |
| 16                                      | 3.4619    | 3.4612 | 3.5969    | 3.5962         | 3.7532 | 3.7525 | 4.0031    | 4.0023         | 3.4610                                  | 3.4603 | 3.5958    | 3.5951         | 3.7520 | 3.7513 | 4.0020    | 4.0012         |           |  |  |  |  |  |  |  |
| 17                                      | 3.7274    | 3.7267 | 3.7944    | 3.7936         | 4.0182 | 4.0174 | 4.2746    | 4.2738         | 3.7265                                  | 3.7258 | 3.7933    | 3.7925         | 4.0171 | 4.0163 | 4.2735    | 4.2727         |           |  |  |  |  |  |  |  |
| 18                                      | 3.9225    | 3.9217 | 4.0324    | 4.0316         | 4.2235 | 4.2227 | 4.4915    | 4.4907         | 3.9214                                  | 3.9206 | 4.0313    | 4.0305         | 4.2224 | 4.2216 | 4.4902    | 4.4894         |           |  |  |  |  |  |  |  |
| 19                                      | 4.1174    | 4.1166 | 4.2284    | 4.2276         | 4.4714 | 4.4706 | 4.8113    | 4.8105         | 4.1163                                  | 4.1155 | 4.2273    | 4.2265         | 4.4703 | 4.4695 | 4.8099    | 4.8091         |           |  |  |  |  |  |  |  |
| 20                                      | 4.3330    | 4.3322 | 4.4254    | 4.4246         | 4.7663 | 4.7655 | 5.1267    | 5.1258         | 4.3319                                  | 4.3311 | 4.4243    | 4.4235         | 4.7652 | 4.7644 | 5.1254    | 5.1245         |           |  |  |  |  |  |  |  |

### Housing Bore for Outer Ring

| Housing Bore for Tap Fit Inner Ring |           |        |           |                |        |        |           |                | Housing Bore for Press Fit Inner Ring |        |           |                |        |        |           |                |           |  |  |  |  |  |  |  |
|-------------------------------------|-----------|--------|-----------|----------------|--------|--------|-----------|----------------|---------------------------------------|--------|-----------|----------------|--------|--------|-----------|----------------|-----------|--|--|--|--|--|--|--|
| Bearing series                      | 1900      | 1000   | 1200-5200 | 1300-5300-7300 | 1900   | 1000   | 1200-5200 | 1300-5300-7300 | 1900                                  | 1000   | 1200-5200 | 1300-5300-7300 | 1900   | 1000   | 1200-5200 | 1300-5300-7300 |           |  |  |  |  |  |  |  |
| Basic size                          | (max-min) |        |           |                |        |        |           |                | inches                                |        |           |                |        |        |           |                | (max-min) |  |  |  |  |  |  |  |
| 03                                  | .....     | .....  | 1.1992    | 1.1988         | 1.3708 | 1.3704 | 1.5402    | 1.5398         | .....                                 | .....  | 1.1996    | 1.1992         | 1.3712 | 1.3708 | 1.5406    | 1.5402         |           |  |  |  |  |  |  |  |
| 04                                  | 1.2689    | 1.2685 | 1.4383    | 1.4379         | 1.6075 | 1.6070 | 1.7305    | 1.7300         | 1.2694                                | 1.2690 | 1.4388    | 1.4384         | 1.6080 | 1.6075 | 1.7309    | 1.7304         |           |  |  |  |  |  |  |  |
| 05                                  | 1.4680    | 1.4675 | 1.6314    | 1.6309         | 1.7656 | 1.7651 | 2.1031    | 2.1026         | 1.4686                                | 1.4681 | 1.6320    | 1.6315         | 1.7661 | 1.7656 | 2.1036    | 2.1031         |           |  |  |  |  |  |  |  |
| 06                                  | 1.6631    | 1.6626 | 2.9090    | 1.9085         | 2.1285 | 2.1280 | 2.3780    | 2.3775         | 1.6637                                | 1.6632 | 1.9096    | 1.9091         | 2.1291 | 2.1286 | 2.3785    | 2.3780         |           |  |  |  |  |  |  |  |
| 07                                  | 1.9346    | 1.9341 | 2.1594    | 2.1589         | 2.4591 | 2.4586 | 2.6745    | 2.6740         | 1.9353                                | 1.9348 | 2.1600    | 2.1595         | 2.4597 | 2.4592 | 2.6751    | 2.6746         |           |  |  |  |  |  |  |  |
| 08                                  | 2.2116    | 2.2111 | 2.3760    | 2.3755         | 2.7405 | 2.7400 | 3.0572    | 3.0567         | 2.2123                                | 2.2118 | 2.3767    | 2.3762         | 2.7411 | 2.7406 | 3.0578    | 3.0573         |           |  |  |  |  |  |  |  |
| 09                                  | 2.4317    | 2.4312 | 2.6430    | 2.6424         | 2.9517 | 2.9511 | 3.3894    | 3.3888         | 2.4325                                | 2.4320 | 2.6438    | 2.6432         | 2.9526 | 2.9520 | 3.3902    | 3.3896         |           |  |  |  |  |  |  |  |
| 10                                  | 2.6068    | 2.6062 | 2.8400    | 2.8394         | 3.1311 | 3.1305 | 3.7195    | 3.7189         | 2.6077                                | 2.6071 | 2.8409    | 2.8403         | 3.1319 | 3.1313 | 3.7203    | 3.7197         |           |  |  |  |  |  |  |  |
| 11                                  | 2.8881    | 2.8875 | 3.1697    | 3.1691         | 3.4646 | 3.4640 | 4.0784    | 4.0778         | 2.8892                                | 2.8886 | 3.1707    | 3.1701         | 3.4656 | 3.4650 | 4.0793    | 4.0787         |           |  |  |  |  |  |  |  |
| 12                                  | 3.0882    | 3.0876 | 3.3668    | 3.3662         | 3.8481 | 3.8475 | 4.4280    | 4.4273         | 3.0893                                | 3.0887 | 3.3678    | 3.3672         | 3.8491 | 3.8485 | 4.4289    | 4.4282         |           |  |  |  |  |  |  |  |
| 13                                  | 3.2832    | 3.2826 | 3.5639    | 3.5632         | 4.1649 | 4.1642 | 4.7775    | 4.7768         | 3.2843                                | 3.2837 | 3.5649    | 3.5642         | 4.1658 | 4.1651 | 4.7758    | 4.7751         |           |  |  |  |  |  |  |  |
| 14                                  | 3.6316    | 3.6309 | 3.9323    | 3.9316         | 4.3902 | 4.3895 | 5.0926    | 5.0919         | 3.6329                                | 3.6322 | 3.9337    | 3.9330         | 4.3915 | 4.3908 | 5.0938    | 5.0931         |           |  |  |  |  |  |  |  |
| 15                                  | 3.8266    | 3.8259 | 4.1304    | 4.1297         | 4.5573 | 4.5566 | 5.4770    | 5.4762         | 3.8280                                | 3.8273 | 4.1317    | 4.1310         | 4.5585 | 4.5578 | 5.4782    | 5.4774         |           |  |  |  |  |  |  |  |
| 16                                  | 4.0217    | 4.0210 | Δ         | Δ              | 4.9068 | 4.9061 | 5.8033    | 5.8025         | 4.0230                                | 4.0223 | Δ         | Δ              | 4.9081 | 4.9074 | 5.8045    | 5.8037         |           |  |  |  |  |  |  |  |
| 17                                  | 4.3561    | 4.3554 | 4.6515    | 4.6507         | 5.2829 | 5.2821 | 6.1966    | 6.1958         | 4.3578                                | 4.3571 | 4.6772    | 4.6764         | 5.2845 | 5.2837 | 6.1981    | 6.1973         |           |  |  |  |  |  |  |  |
| 18                                  | 4.5512    | 4.5504 | 5.0292    | 5.0284         | 5.5968 | 5.5960 | 6.5109    | 6.5101         | 4.5529                                | 4.5521 | 5.0309    | 5.0301         | 5.5984 | 5.5976 | 6.5124    | 6.5116         |           |  |  |  |  |  |  |  |
| 19                                  | 4.7463    | 4.7455 | 5.2253    | 5.2245         | 5.9532 | 5.9524 | 6.8308    | 6.8300         | 4.7480                                | 4.7472 | 5.2269    | 5.2261         | 5.9548 | 5.9540 | 6.8322    | 6.8314         |           |  |  |  |  |  |  |  |
| 20                                  | 5.1064    | 5.1056 | Δ         | Δ              | 6.3459 | 6.3451 | 7.2787    | 7.2778         | 5.1082                                | 5.1074 | Δ         | Δ              | 6.3474 | 6.3466 | 7.2802    | 7.2793         |           |  |  |  |  |  |  |  |

For shaft diameters larger than above, consult Rexnord Bearing Division.

Δ For size, consult Rexnord Bearing Division.

▲ Shaft diameter limits also apply to Style A outer ring bearings.

■ Hultgren 10 mm ball penetrator; 3000 kg load.

□ Brale penetrator; 150 kg load.



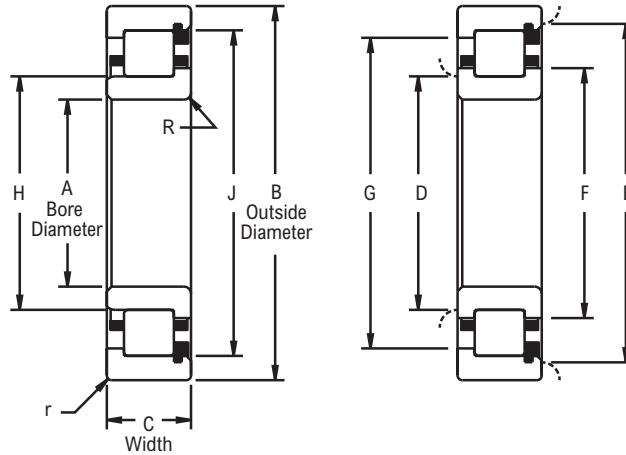
## 25mm, 30mm, 35mm, 40mm Bores



Photo Shows an Unmounted Cylindrical Roller Bearing Assembly

### Product Features

- Fully crowned rollers
- Precision ground ribs
- Contoured roller pockets
- Rollers individually separated
- Optional full complement
- See Features & Benefits for additional info.



### Bearing Dimensions

| Basic Bearing Number | A Bore Diameter |        | B Outside Diameter |        | C Bearing Width |        | D     |        | E     |        | F     | G     | H      | J      | R    | r    |       |       |        |        |      |
|----------------------|-----------------|--------|--------------------|--------|-----------------|--------|-------|--------|-------|--------|-------|-------|--------|--------|------|------|-------|-------|--------|--------|------|
|                      | mm              | in     | mm                 | in     | mm              | in     | Plain | Ribbed | Plain | Ribbed |       |       |        |        |      |      |       |       |        |        |      |
| 1205                 | 25.0000         | 0.9843 | 52.0000            | 2.0472 | 15.0000         | 0.5906 | 30.50 | 32.00  | 47.00 | 44.70  | 34.32 | 42.95 | 32.166 | 44.854 | 1.02 | 1.02 |       |       |        |        |      |
| 5205                 |                 |        |                    |        | 20.6380         | 0.8125 |       |        |       |        |       |       |        |        |      |      |       |       |        |        |      |
| 1305                 |                 |        | 62.0000            | 2.4409 | 17.0000         | 0.6693 | 31.50 | 33.80  | 55.90 | 53.30  |       |       |        |        |      |      | 37.49 | 50.14 | 33.972 | 53.426 |      |
| 7305                 |                 |        |                    |        | 21.0000         | 0.8268 |       |        |       |        |       |       |        |        |      |      |       |       |        |        |      |
| 5305                 |                 |        |                    |        | 25.4000         | 1.0000 |       |        |       |        |       |       |        |        |      |      |       |       |        |        |      |
| 1206                 | 30.0000         | 1.1811 | 62.0000            | 2.4409 | 16.0000         | 0.6299 | 36.10 | 37.80  | 56.40 | 53.80  | 40.87 | 51.48 | 38.062 | 54.074 | 1.02 | 1.02 |       |       |        |        |      |
| 5206                 |                 |        |                    |        | 23.8120         | 0.9375 |       |        |       |        |       |       |        |        |      |      |       |       |        |        |      |
| 1306                 |                 |        | 72.0000            | 2.8346 | 19.0000         | 0.7480 | 37.80 | 40.60  | 64.00 | 60.20  |       |       |        |        |      |      | 44.25 | 56.87 | 40.681 | 60.409 | 1.52 |
| 7306                 |                 |        |                    |        | 23.0000         | 0.9055 |       |        |       |        |       |       |        |        |      |      |       |       |        |        |      |
| 5306                 |                 |        |                    |        | 30.1620         | 1.1875 |       |        |       |        |       |       |        |        |      |      |       |       |        |        |      |
| 1207                 | 35.0000         | 1.3780 | 72.0000            | 2.8346 | 17.0000         | 0.6693 | 41.60 | 43.90  | 65.30 | 62.20  | 47.29 | 59.51 | 43.970 | 62.471 | 1.02 | 1.02 |       |       |        |        |      |
| 5207                 |                 |        |                    |        | 26.9980         | 1.0629 |       |        |       |        |       |       |        |        |      |      |       |       |        |        |      |
| 1307                 |                 |        | 80.0000            | 3.1496 | 21.0000         | 0.8268 | 43.70 | 46.70  | 71.40 | 67.80  |       |       |        |        |      |      | 50.67 | 64.46 | 46.843 | 67.942 | 1.52 |
| 7307                 |                 |        |                    |        | 26.0000         | 1.0236 |       |        |       |        |       |       |        |        |      |      |       |       |        |        |      |
| 5307                 |                 |        |                    |        | 34.9250         | 1.3750 |       |        |       |        |       |       |        |        |      |      |       |       |        |        |      |
| 1208                 | 40.0000         | 1.5748 | 80.0000            | 3.1496 | 18.0000         | 0.7087 | 47.20 | 49.80  | 72.90 | 69.60  | 53.44 | 66.42 | 49.929 | 69.619 | 1.52 | 1.02 |       |       |        |        |      |
| 5208                 |                 |        |                    |        | 30.1620         | 1.1875 |       |        |       |        |       |       |        |        |      |      |       |       |        |        |      |
| 1308                 |                 |        | 90.0000            | 3.5433 | 23.0000         | 0.9055 | 49.00 | 52.10  | 81.30 | 77.50  |       |       |        |        |      |      | 57.00 | 73.33 | 52.299 | 77.663 | 1.52 |
| 7308                 |                 |        |                    |        | 30.0000         | 1.1811 |       |        |       |        |       |       |        |        |      |      |       |       |        |        |      |
| 5308                 |                 |        |                    |        | 36.5120         | 1.4375 |       |        |       |        |       |       |        |        |      |      |       |       |        |        |      |

### Additional Notes

- Please call 1-866-REXNORD for availability
- Dimensions "R" & "r", largest fillet radius that will clear bearing corners
- For the Selection Guide, Load Ratings and Speed Limits, see the Link-Belt Cylindrical Roller Bearing Engineering section
- For shaft and housing bearing seat diameters, see Link-Belt Cylindrical Bearing Shaft & Housing Seat Diameters section
- Note: Dimensions subject to change. Certified dimensions of ordered material furnished on request.

## 45mm, 50mm, 55mm Bores

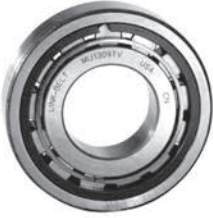
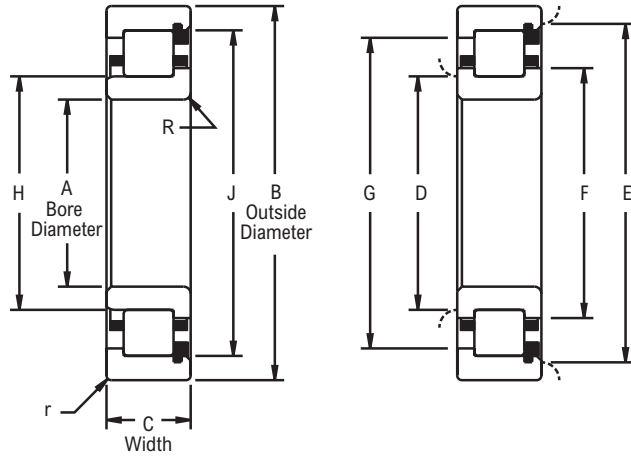


Photo Shows an Unmounted Cylindrical Roller Bearing Assembly

### Product Features

- Fully crowned rollers
- Precision ground ribs
- Contoured roller pockets
- Rollers individually separated
- Optional full complement
- See Features & Benefits for additional info.



### Bearing Dimensions

| Basic Bearing Number | A Bore Diameter |         | B Outside Diameter |         | C Bearing Width |         | D      |        | E     |        | F     | G     | H      | J      | R    | r    |          |        |         |        |        |        |       |       |        |         |        |        |      |      |
|----------------------|-----------------|---------|--------------------|---------|-----------------|---------|--------|--------|-------|--------|-------|-------|--------|--------|------|------|----------|--------|---------|--------|--------|--------|-------|-------|--------|---------|--------|--------|------|------|
|                      | mm              | in      | mm                 | in      | mm              | in      | Plain  | Ribbed | Plain | Ribbed |       |       |        |        |      |      |          |        |         |        |        |        |       |       |        |         |        |        |      |      |
|                      | 1209            | 45.0000 | 1.7717             | 85.0000 | 3.3465          | 19.0000 | 0.7480 | 52.80  | 55.40 | 78.20  |       |       |        |        |      |      | 74.90    | 59.03  | 71.80   | 55.519 | 74.988 | 1.52   | 1.02  |       |        |         |        |        |      |      |
| 5209                 | 30.1620         |         |                    |         |                 | 1.1875  |        |        |       |        |       |       |        |        |      |      |          |        |         |        |        |        |       |       |        |         |        |        |      |      |
| 1309                 | 25.0000         |         |                    |         |                 | 0.9843  |        |        |       |        |       |       |        |        |      |      |          |        |         |        |        |        |       |       |        |         |        |        |      |      |
| 7309                 | 31.0000         |         |                    |         |                 | 1.2205  |        |        |       |        |       |       |        |        |      |      |          |        |         |        |        |        |       |       |        |         |        |        |      |      |
| 5309                 |                 |         | 100.0000           | 3.9370  | 39.6880         | 1.5625  | 55.90  | 59.20  | 90.40 | 85.80  | 64.31 | 81.48 | 59.362 | 86.103 | 2.03 | 1.52 |          |        |         |        |        |        |       |       |        |         |        |        |      |      |
| 1010                 | 50.0000         | 1.9685  | 80.0000            | 3.1496  | 16.0000         | 0.6299  | 56.10  | 57.60  | 74.40 | 72.10  | 60.43 | 69.62 | 57.882 | 72.151 | 1.52 | 1.02 |          |        |         |        |        |        |       |       |        |         |        |        |      |      |
| 1210                 |                 |         |                    |         | 20.0000         | 0.7874  |        |        |       |        |       |       |        |        |      |      |          |        |         |        |        |        |       |       |        |         |        |        |      |      |
| 5210                 |                 |         |                    |         | 30.1620         | 1.1875  |        |        |       |        |       |       |        |        |      |      |          |        |         |        |        |        |       |       |        |         |        |        |      |      |
| 1310                 |                 |         |                    |         | 27.0000         | 1.0630  |        |        |       |        |       |       |        |        |      |      |          |        |         |        |        |        |       |       |        |         |        |        |      |      |
| 7310                 |                 |         |                    |         | 33.0000         | 1.2992  |        |        |       |        |       |       |        |        |      |      |          |        |         |        |        |        |       |       |        |         |        |        |      |      |
| 5310                 |                 |         | 110.0000           | 4.3307  | 44.4500         | 1.7500  | 61.00  | 65.00  | 99.10 | 94.50  | 70.64 | 89.36 | 65.146 | 94.490 | 2.03 | 2.03 |          |        |         |        |        |        |       |       |        |         |        |        |      |      |
| 1911                 | 55.0000         | 2.1654  | 80.0000            | 3.1496  | 13.0000         | 0.5118  | 59.90  | 61.70  | 75.20 | 73.20  | 64.26 | 70.84 | 61.722 | 73.378 | 1.02 | 1.02 |          |        |         |        |        |        |       |       |        |         |        |        |      |      |
| 1011                 |                 |         |                    |         | 90.0000         | 3.5433  |        |        |       |        |       |       |        |        |      |      | 18.0000  | 0.7087 | 62.00   | 64.30  | 83.60  | 80.50  | 67.69 | 77.34 | 64.496 | 80.531  | 1.52   |        |      |      |
| 1211                 |                 |         |                    |         | 21.0000         | 0.8268  |        |        |       |        |       |       |        |        |      |      | 100.0000 | 3.9370 | 33.3380 | 1.3125 | 64.00  | 66.80  | 91.40 | 87.90 | 70.74  | 84.53   | 66.901 | 88.019 | 2.03 | 1.52 |
| 5211                 |                 |         |                    |         | 33.3380         | 1.3125  |        |        |       |        |       |       |        |        |      |      |          |        |         |        |        |        |       |       |        |         |        |        |      |      |
| 1311                 |                 |         |                    |         | 29.0000         | 1.1417  |        |        |       |        |       |       |        |        |      |      |          |        |         |        |        |        |       |       |        |         |        |        |      |      |
| 7311                 |                 |         |                    |         | 120.0000        | 4.7244  |        |        |       |        |       |       |        |        |      |      | 36.0000  | 1.4173 | 66.50   | 71.40  | 108.70 | 103.40 | 77.34 | 98.04 | 71.432 | 103.607 | 2.03   | 2.03   |      |      |
| 5311                 |                 |         |                    |         |                 |         |        |        |       |        |       |       |        |        |      |      | 49.2120  | 1.9375 |         |        |        |        |       |       |        |         |        |        |      |      |

### Additional Notes

- Please call 1-866-REXNORD for availability
- Dimensions "R" & "r", largest fillet radius that will clear bearing corners
- For the Selection Guide, Load Ratings and Speed Limits, see the Link-Belt Cylindrical Roller Bearing Engineering section
- For shaft and housing bearing seat diameters, see Link-Belt Cylindrical Bearing Shaft & Housing Seat Diameters section
- Note: Dimensions subject to change. Certified dimensions of ordered material furnished on request.



# 60mm, 65mm, 70mm Bores

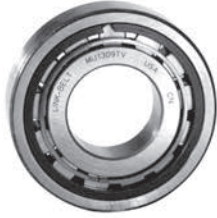
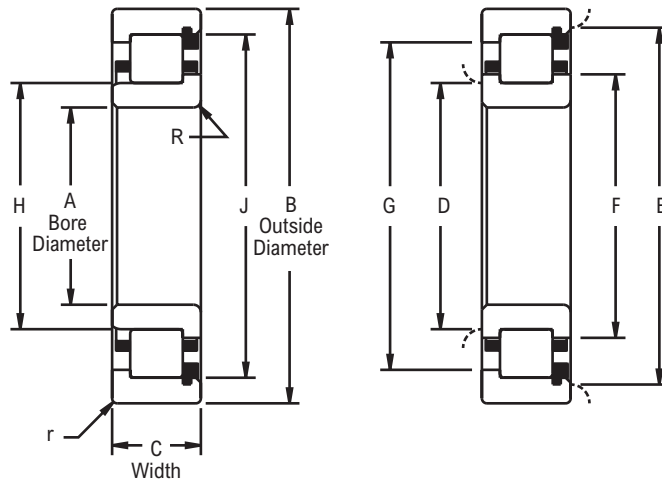


Photo Shows an Unmounted Cylindrical Roller Bearing Assembly

## Product Features

- Fully crowned rollers
- Precision ground ribs
- Contoured roller pockets
- Rollers individually separated
- Optional full complement
- See Features & Benefits for additional info.



## Bearing Dimensions

| Basic Bearing Number | A Bore Diameter |        | B Outside Diameter |        | C Bearing Width |        | D     |        | E      |        | F     | G      | H      | J       | R    | r    |      |
|----------------------|-----------------|--------|--------------------|--------|-----------------|--------|-------|--------|--------|--------|-------|--------|--------|---------|------|------|------|
|                      | mm              | in     | mm                 | in     | mm              | in     | Plain | Ribbed | Plain  | Ribbed |       |        |        |         |      |      |      |
| 1912                 | 60.0000         | 2.3622 | 85.0000            | 3.3465 | 13.0000         | 0.5118 | 65.00 | 66.80  | 80.30  | 78.20  | 69.34 | 75.92  | 66.802 | 78.461  | 1.02 | 1.02 |      |
| 1012                 |                 |        | 95.0000            | 3.7402 | 18.0000         | 0.7087 | 67.00 | 69.30  | 88.60  | 85.30  | 72.69 | 82.35  | 69.499 | 85.534  | 1.52 |      |      |
| 1212                 |                 |        | 110.0000           | 4.3307 | 22.0000         | 0.8661 | 69.30 | 72.10  | 101.30 | 97.50  | 76.94 | 93.50  | 72.380 | 97.762  | 2.03 |      |      |
| 5212                 |                 |        | 36.5120            | 1.4375 |                 |        |       |        |        |        |       |        |        |         |      |      |      |
| 1312                 |                 |        | 130.0000           | 5.1181 | 31.0000         | 1.2205 | 72.90 | 77.50  | 117.80 | 112.30 | 84.02 | 106.35 | 77.551 | 112.486 | 2.54 |      | 2.03 |
| 7312                 |                 |        |                    |        | 38.0000         | 1.4961 |       |        |        |        |       |        |        |         |      |      |      |
| 5312                 | 53.9750         | 2.1250 |                    |        |                 |        |       |        |        |        |       |        |        |         |      |      |      |
| 1913                 | 65.0000         | 2.5591 | 90.0000            | 3.5433 | 13.0000         | 0.5118 | 70.10 | 71.60  | 85.30  | 83.30  | 74.30 | 80.87  | 71.755 | 83.416  | 1.02 | 1.02 |      |
| 1013                 |                 |        | 100.0000           | 3.9370 | 18.0000         | 0.7087 | 72.10 | 74.40  | 93.70  | 90.40  | 77.72 | 87.35  | 74.503 | 90.541  | 1.52 |      |      |
| 1213                 |                 |        | 120.0000           | 4.7244 | 23.0000         | 0.9055 | 77.00 | 80.30  | 110.00 | 105.70 | 85.34 | 101.24 | 80.421 | 105.804 | 2.54 |      |      |
| 5213                 |                 |        | 38.1000            | 1.5000 |                 |        |       |        |        |        |       |        |        |         |      |      |      |
| 1313                 |                 |        | 140.0000           | 5.5118 | 33.0000         | 1.2992 | 78.70 | 83.60  | 127.00 | 121.20 | 90.70 | 114.68 | 83.675 | 121.366 | 2.03 |      |      |
| 7313                 |                 |        |                    |        | 40.0000         | 1.5748 |       |        |        |        |       |        |        |         |      |      |      |
| 5313                 | 58.7380         | 2.3125 |                    |        |                 |        |       |        |        |        |       |        |        |         |      |      |      |
| 1914                 | 70.0000         | 2.7559 | 100.0000           | 3.9370 | 16.0000         | 0.6299 | 75.90 | 78.00  | 94.50  | 92.20  | 80.82 | 89.41  | 77.978 | 92.268  | 1.02 | 1.02 |      |
| 1014                 |                 |        | 110.0000           | 4.3307 | 20.0000         | 0.7874 | 77.50 | 80.00  | 103.40 | 99.80  | 84.12 | 95.99  | 80.188 | 99.906  | 2.03 |      |      |
| 1214                 |                 |        | 125.0000           | 4.9213 | 24.0000         | 0.9449 | 81.80 | 84.60  | 115.60 | 111.50 | 89.61 | 107.01 | 84.772 | 111.536 | 2.54 |      |      |
| 5214                 |                 |        | 39.6880            | 1.5625 |                 |        |       |        |        |        |       |        |        |         |      |      |      |
| 1314                 |                 |        | 150.0000           | 5.9055 | 35.0000         | 1.3780 | 84.30 | 89.20  | 135.60 | 129.30 | 96.72 | 122.20 | 89.192 | 129.375 | 3.18 |      | 2.03 |
| 7314                 |                 |        |                    |        | 43.0000         | 1.6929 |       |        |        |        |       |        |        |         |      |      |      |
| 5314                 | 63.6000         | 2.5039 |                    |        |                 |        |       |        |        |        |       |        |        |         |      |      |      |

## Additional Notes

- Please call 1-866-REXNORD for availability
- Dimensions "R" & "r", largest fillet radius that will clear bearing corners
- For the Selection Guide, Load Ratings and Speed Limits, see the Link-Belt Cylindrical Roller Bearing Engineering section
- For shaft and housing bearing seat diameters, see Link-Belt Cylindrical Bearing Shaft & Housing Seat Diameters section
- Note: Dimensions subject to change. Certified dimensions of ordered material furnished on request.

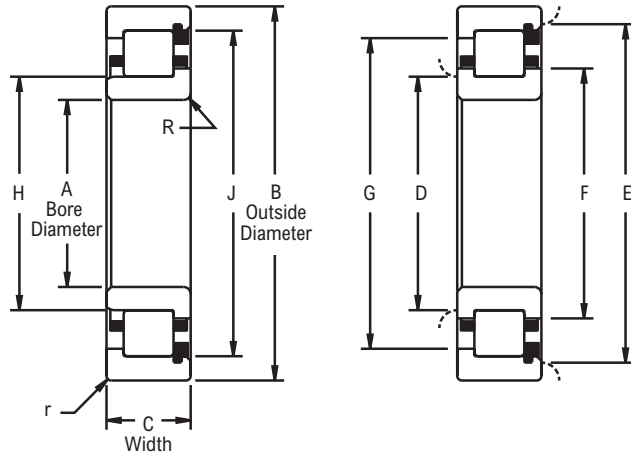
## 75mm, 80mm, 85mm Bores



Photo Shows an Unmounted Cylindrical Roller Bearing Assembly

### Product Features

- Fully crowned rollers
- Precision ground ribs
- Contoured roller pockets
- Rollers individually separated
- Optional full complement
- See Features & Benefits for additional info.



### Bearing Dimensions

| Basic Bearing Number | A Bore Diameter |        | B Outside Diameter |        | C Bearing Width |         | D      |        | E      |        | F      | G      | H       | J       | R    | r    |      |
|----------------------|-----------------|--------|--------------------|--------|-----------------|---------|--------|--------|--------|--------|--------|--------|---------|---------|------|------|------|
|                      | mm              | in     | mm                 | in     | mm              | in      | Plain  | Ribbed | Plain  | Ribbed |        |        |         |         |      |      |      |
|                      |                 |        |                    |        |                 |         |        |        |        |        |        |        |         |         |      |      |      |
| 1915                 | 75.0000         | 2.9528 | 105.0000           | 4.1339 | 16.0000         | 0.6299  | 80.80  | 82.80  | 99.60  | 97.00  | 85.78  | 94.39  | 82.931  | 97.221  | 1.02 | 1.02 |      |
| 1015                 |                 |        | 115.0000           | 4.5276 | 20.0000         | 0.7874  | 82.60  | 85.10  | 108.40 | 104.90 | 89.15  | 101.02 | 85.217  | 104.938 | 2.03 |      |      |
| 1215                 |                 |        | 130.0000           | 5.1181 | 25.0000         | 0.9843  | 85.60  | 88.90  | 120.10 | 115.60 | 93.85  | 111.25 | 89.014  | 115.781 | 2.54 |      |      |
| 5215                 |                 |        | 41.2750            | 1.6250 |                 |         |        |        |        |        |        |        |         |         |      |      |      |
| 1315                 |                 |        | 160.0000           | 6.2992 | 37.0000         | 1.4567  | 90.40  | 95.80  | 145.80 | 138.90 | 104.04 | 131.37 | 95.920  | 139.136 | 3.18 |      | 2.03 |
| 7315                 |                 |        |                    |        |                 | 46.0000 |        |        |        |        |        |        |         |         |      |      |      |
| 5315                 | 68.2620         | 2.6875 |                    |        |                 |         |        |        |        |        |        |        |         |         |      |      |      |
|                      |                 |        |                    |        |                 |         |        |        |        |        |        |        |         |         |      |      |      |
| 1916                 | 80.0000         | 3.1496 | 110.0000           | 4.3307 | 16.0000         | 0.6299  | 85.80  | 87.90  | 104.40 | 102.10 | 90.73  | 99.34  | 87.884  | 102.176 | 1.02 | 1.02 |      |
| 1016                 |                 |        | 125.0000           | 4.9213 | 22.0000         | 0.8661  | 88.40  | 91.20  | 117.60 | 113.50 | 95.71  | 109.45 | 91.313  | 113.088 | 2.03 |      |      |
| 1216                 |                 |        | 140.0000           | 5.5118 | 26.0000         | 1.0236  | 91.20  | 95.20  | 129.30 | 124.50 | 100.79 | 119.38 | 95.286  | 124.658 | 2.54 |      |      |
| 5216                 |                 |        | 44.4500            | 1.7500 |                 |         |        |        |        |        |        |        |         |         |      |      |      |
| 1316                 |                 |        | 170.0000           | 6.6929 | 39.0000         | 1.5354  | 96.00  | 101.60 | 154.40 | 147.30 | 110.29 | 139.19 | 101.636 | 147.424 | 3.18 |      | 2.03 |
| 7316                 |                 |        |                    |        |                 | 49.0000 |        |        |        |        |        |        |         |         |      |      |      |
| 5316                 | 68.2620         | 2.6875 |                    |        |                 |         |        |        |        |        |        |        |         |         |      |      |      |
| 1917                 | 85.0000         | 3.3465 | 120.0000           | 4.7244 | 18.0000         | 0.7087  | 92.20  | 94.50  | 113.80 | 101.50 | 97.82  | 107.47 | 94.615  | 110.678 | 1.52 | 1.02 |      |
| 1017                 |                 |        | 130.0000           | 5.1181 | 22.0000         | 0.8661  | 93.50  | 96.30  | 122.70 | 118.60 | 100.63 | 114.48 | 96.317  | 118.173 | 2.03 |      |      |
| 1217                 |                 |        | 150.0000           | 5.9055 | 28.0000         | 1.1024  | 98.00  | 101.80 | 139.20 | 134.10 | 108.05 | 128.42 | 102.006 | 134.216 | 3.18 |      | 2.03 |
| 5217                 |                 |        | 49.2120            | 1.9375 |                 |         |        |        |        |        |        |        |         |         |      |      |      |
| 1317                 |                 |        | 180.0000           | 7.0866 | 41.0000         | 1.6142  | 102.90 | 108.40 | 164.30 | 157.20 | 118.24 | 148.64 | 108.522 | 157.422 | 3.96 |      | 2.54 |
| 7317                 |                 |        |                    |        |                 | 51.0000 |        |        |        |        |        |        |         |         |      |      |      |
| 5317                 | 73.0250         | 2.8750 |                    |        |                 |         |        |        |        |        |        |        |         |         |      |      |      |

### Additional Notes

- Please call 1-866-REXNORD for availability
- Dimensions "R" & "r", largest fillet radius that will clear bearing corners
- Selection Guide, see Link-Belt Cylindrical Roller Bearing Selection Guide section
- Load Ratings & Speed Limits, see Link-Belt Cylindrical Roller Bearing Load Ratings & Speed Limits section
- For shaft and housing bearing seat diameters, see Link-Belt Cylindrical Bearing Shaft & Housing Seat Diameters section

Note: Dimensions subject to change. Certified dimensions of ordered material furnished on request.

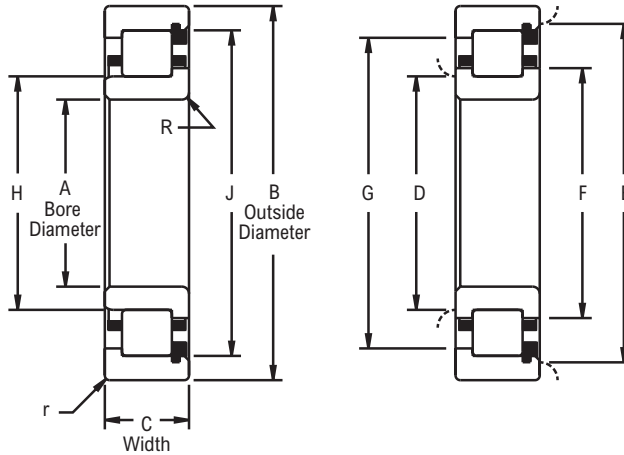
## 90mm, 95mm, 100mm Bores



Photo Shows an Unmounted Cylindrical Roller Bearing Assembly

### Product Features

- Fully crowned rollers
- Precision ground ribs
- Contoured roller pockets
- Rollers individually separated
- Optional full complement
- See Features & Benefits for additional info.



### Bearing Dimensions

| Basic Bearing Number | A Bore Diameter |        | B Outside Diameter |        | C Bearing Width |        | D      |        | E      |        | F      | G      | H       | J       | R    | r    |
|----------------------|-----------------|--------|--------------------|--------|-----------------|--------|--------|--------|--------|--------|--------|--------|---------|---------|------|------|
|                      | mm              | in     | mm                 | in     | mm              | in     | Plain  | Ribbed | Plain  | Ribbed |        |        |         |         |      |      |
| 1918                 | 90.0000         | 3.5433 | 125.0000           | 4.9213 | 18.0000         | 0.7087 | 97.00  | 99.60  | 118.60 | 115.60 | 102.77 | 112.92 | 99.568  | 115.636 | 1.52 | 1.02 |
| 1018                 |                 |        | 140.0000           | 5.5118 | 24.0000         | 0.9449 | 99.60  | 102.40 | 131.60 | 127.80 | 107.42 | 122.71 | 102.362 | 127.775 | 2.54 | 1.52 |
| 1218                 |                 |        | 160.0000           | 6.2992 | 30.0000         | 1.1811 | 103.10 | 107.20 | 147.60 | 142.00 | 114.17 | 135.89 | 107.218 | 142.189 | 3.18 | 2.03 |
| 5218                 |                 |        | 52.3880            | 2.0625 |                 |        |        |        |        |        |        |        |         |         |      |      |
| 1318                 |                 |        | 190.0000           | 7.4803 | 43.0000         | 1.6929 | 108.20 | 113.80 | 172.70 | 165.40 | 124.33 | 156.16 | 114.031 | 165.047 | 3.96 | 2.54 |
| 7318                 |                 |        |                    |        | 54.0000         | 2.1260 |        |        |        |        |        |        |         |         |      |      |
| 5318                 |                 |        |                    |        | 73.0250         | 2.8750 |        |        |        |        |        |        |         |         |      |      |
|                      |                 |        |                    |        |                 |        |        |        |        |        |        |        |         |         |      |      |
| 1919                 | 95.0000         | 3.7402 | 130.0000           | 5.1181 | 18.0000         | 0.7087 | 102.10 | 104.40 | 123.70 | 120.40 | 107.72 | 117.40 | 104.521 | 120.589 | 1.52 | 1.02 |
| 1019                 |                 |        | 145.0000           | 5.7087 | 24.0000         | 0.9449 | 104.40 | 107.20 | 136.60 | 132.60 | 112.40 | 127.68 | 107.340 | 132.756 | 2.54 | 1.52 |
| 1219                 |                 |        | 170.0000           | 6.6929 | 32.0000         | 1.2598 | 109.00 | 113.30 | 157.00 | 151.10 | 121.03 | 144.48 | 113.518 | 151.242 | 3.18 | 2.03 |
| 5219                 |                 |        | 55.5620            | 2.1875 |                 |        |        |        |        |        |        |        |         |         |      |      |
| 1319                 |                 |        | 200.0000           | 7.8740 | 45.0000         | 1.7717 | 115.10 | 121.90 | 181.90 | 173.50 | 132.46 | 164.29 | 122.154 | 173.530 | 3.96 | 2.54 |
| 7319                 |                 |        |                    |        | 56.0000         | 2.2047 |        |        |        |        |        |        |         |         |      |      |
| 5319                 |                 |        |                    |        | 77.7780         | 3.0621 |        |        |        |        |        |        |         |         |      |      |
|                      |                 |        |                    |        |                 |        |        |        |        |        |        |        |         |         |      |      |
| 1920                 | 100.0000        | 3.9370 | 140.0000           | 5.5118 | 20.0000         | 0.7874 | 107.20 | 110.00 | 133.40 | 129.50 | 113.92 | 125.81 | 109.995 | 129.738 | 1.52 | 1.02 |
| 1020                 |                 |        | 150.0000           | 5.9055 | 24.0000         | 0.9449 | 109.50 | 112.30 | 141.70 | 137.70 | 117.52 | 132.59 | 112.344 | 137.759 | 2.54 | 1.52 |
| 1220                 |                 |        | 180.0000           | 7.0866 | 34.0000         | 1.3386 | 116.10 | 120.90 | 167.10 | 161.00 | 128.45 | 154.18 | 121.006 | 161.216 | 3.96 | 2.03 |
| 5220                 |                 |        | 60.3250            | 2.3750 |                 |        |        |        |        |        |        |        |         |         |      |      |
| 1320                 |                 |        | 215.0000           | 8.4646 | 47.0000         | 1.8504 | 122.40 | 130.00 | 194.60 | 184.60 | 140.46 | 175.06 | 130.165 | 184.907 | 4.75 | 2.54 |
| 7320                 |                 |        |                    |        | 60.0000         | 2.3622 |        |        |        |        |        |        |         |         |      |      |
| 5320                 |                 |        |                    |        | 82.5500         | 3.2500 |        |        |        |        |        |        |         |         |      |      |
|                      |                 |        |                    |        |                 |        |        |        |        |        |        |        |         |         |      |      |

### Additional Notes

- Please call 1-866-REXNORD for availability
- Dimensions "R" & "r", largest fillet radius that will clear bearing corners
- Selection Guide, see Link-Belt Cylindrical Roller Bearing Selection Guide section
- Load Ratings & Speed Limits, see Link-Belt Cylindrical Roller Bearing Load Ratings & Speed Limits section
- For shaft and housing bearing seat diameters, see Link-Belt Cylindrical Bearing Shaft & Housing Seat Diameters section

Note: Dimensions subject to change. Certified dimensions of ordered material furnished on request.

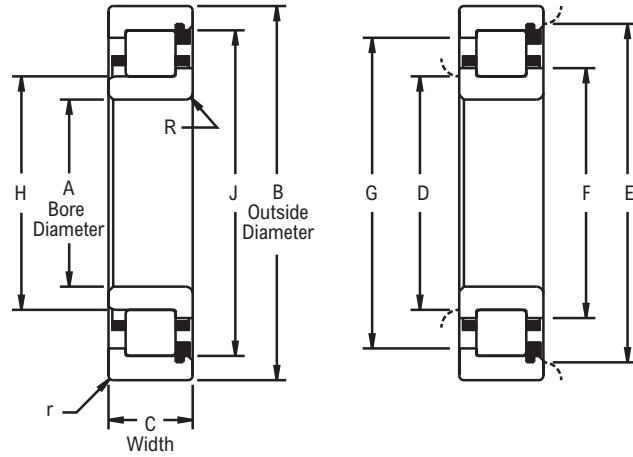
## 105mm, 110mm, 120mm Bores



Photo Shows an Unmounted Cylindrical Roller Bearing Assembly

### Product Features

- Fully crowned rollers
- Precision ground ribs
- Contoured roller pockets
- Rollers individually separated
- Optional full complement
- See Features & Benefits for additional info.



### Bearing Dimensions

| Basic Bearing Number | A Bore Diameter |        | B Outside Diameter |         | C Bearing Width |        | D      |        | E      |        | F      | G      | H       | J       | R    | r    |
|----------------------|-----------------|--------|--------------------|---------|-----------------|--------|--------|--------|--------|--------|--------|--------|---------|---------|------|------|
|                      | mm              | in     | mm                 | in      | mm              | in     | Plain  | Ribbed | Plain  | Ribbed |        |        |         |         |      |      |
| 1921                 | 105.0000        | 4.1339 | 145.0000           | 5.7087  | 20.0000         | 0.7874 | 112.00 | 114.80 | 138.20 | 134.60 | 118.92 | 130.81 | 114.996 | 134.739 | 1.52 | 1.02 |
| 1021                 |                 |        | 160.0000           | 6.2992  | 26.0000         | 1.0236 | 115.80 | 119.10 | 150.10 | 145.80 | 124.48 | 140.61 | 119.151 | 145.941 | 2.54 | 2.03 |
| 1221                 |                 |        | 190.0000           | 7.4803  | 36.0000         | 1.4173 | 121.40 | 126.50 | 175.30 | 168.40 | 134.87 | 161.01 | 126.520 | 168.562 | 3.96 |      |
| 5221                 |                 |        | 65.0880            | 2.5625  | 49.0000         | 1.9291 | 128.00 | 136.10 | 203.40 | 193.30 | 147.17 | 183.16 | 136.185 | 193.456 | 4.75 | 2.54 |
| 1321                 |                 |        | 63.0000            | 2.4803  | 87.3120         | 3.4375 |        |        |        |        |        |        |         |         |      |      |
| 7321                 |                 |        | 225.0000           | 8.8583  | 63.0000         | 2.4803 |        |        |        |        |        |        |         |         |      |      |
| 5321                 |                 |        |                    |         | 87.3120         | 3.4375 |        |        |        |        |        |        |         |         |      |      |
| 1922                 | 110.0000        | 4.3307 | 150.0000           | 5.9055  | 20.0000         | 0.7874 | 117.10 | 119.90 | 143.20 | 139.70 | 123.93 | 135.81 | 119.995 | 139.741 | 1.52 | 1.02 |
| 1022                 |                 |        | 170.0000           | 6.6929  | 28.0000         | 1.1024 | 121.90 | 125.20 | 159.20 | 154.70 | 131.09 | 149.00 | 125.349 | 154.744 | 2.54 | 2.03 |
| 1222                 |                 |        | 200.0000           | 7.8740  | 38.0000         | 1.4961 | 127.20 | 132.80 | 183.90 | 176.00 | 141.60 | 168.43 | 132.951 | 176.192 | 3.96 |      |
| 5222                 |                 |        | 69.8500            | 2.7500  | 50.0000         | 1.9685 | 135.90 | 145.00 | 217.20 | 206.20 | 157.48 | 195.38 | 145.255 | 206.337 | 4.75 | 2.54 |
| 1322                 |                 |        | 65.0000            | 2.5591  | 92.0750         | 3.6250 |        |        |        |        |        |        |         |         |      |      |
| 7322                 |                 |        | 240.0000           | 9.4488  | 65.0000         | 2.5591 |        |        |        |        |        |        |         |         |      |      |
| 5322                 |                 |        |                    |         | 92.0750         | 3.6250 |        |        |        |        |        |        |         |         |      |      |
| 1924                 | 120.0000        | 4.7244 | 165.0000           | 6.4961  | 22.0000         | 0.8661 | 129.80 | 131.30 | 157.70 | 153.90 | 135.97 | 149.50 | 131.498 | 153.985 | 2.03 | 1.02 |
| 1024                 |                 |        | 180.0000           | 7.0866  | 28.0000         | 1.1024 | 132.10 | 135.10 | 169.20 | 164.60 | 141.22 | 158.90 | 135.357 | 164.754 | 3.18 | 2.03 |
| 1224                 |                 |        | 215.0000           | 8.4646  | 40.0000         | 1.5748 | 139.20 | 145.00 | 198.90 | 190.80 | 154.30 | 182.73 | 145.138 | 190.952 | 4.75 |      |
| 5224                 |                 |        | 76.2000            | 3.0000  | 55.0000         | 2.1654 | 147.80 | 157.00 | 135.20 | 223.00 | 170.18 | 211.20 | 157.023 | 223.053 | 6.35 | 2.54 |
| 1324                 |                 |        | 71.0000            | 2.7953  | 104.7750        | 4.1250 |        |        |        |        |        |        |         |         |      |      |
| 7324                 |                 |        | 260.0000           | 10.2362 | 71.0000         | 2.7953 |        |        |        |        |        |        |         |         |      |      |
| 5324                 |                 |        |                    |         | 104.7750        | 4.1250 |        |        |        |        |        |        |         |         |      |      |

### Additional Notes

- Please call 1-866-REXNORD for availability
- Dimensions "R" & "r", largest fillet radius that will clear bearing corners
- For the Selection Guide, Load Ratings and Speed Limits, see the Link-Belt Cylindrical Roller Bearing Engineering section
- For shaft and housing bearing seat diameters, see Link-Belt Cylindrical Bearing Shaft & Housing Seat Diameters section
- Note: Dimensions subject to change. Certified dimensions of ordered material furnished on request.

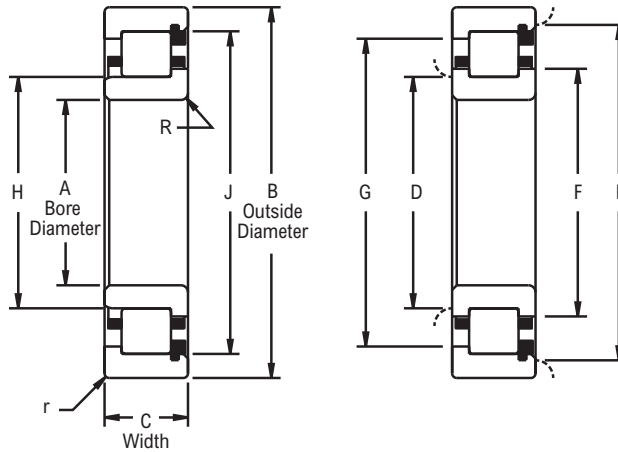
# 130mm, 140mm, 150mm Bores



Photo Shows an Unmounted Cylindrical Roller Bearing Assembly

## Product Features

- Fully crowned rollers
- Precision ground ribs
- Contoured roller pockets
- Rollers individually separated
- Optional full complement
- See Features & Benefits for additional info.



## Bearing Dimensions

| Basic Bearing Number | A Bore Diameter |        | B Outside Diameter |         | C Bearing Width |         | D        |        | E      |        | F      | G      | H       | J       | R       | r       |      |      |
|----------------------|-----------------|--------|--------------------|---------|-----------------|---------|----------|--------|--------|--------|--------|--------|---------|---------|---------|---------|------|------|
|                      | mm              | in     | mm                 | in      | mm              | in      | Plain    | Ribbed | Plain  | Ribbed |        |        |         |         |         |         |      |      |
| 1926                 | 130.0000        | 5.1181 | 180.0000           | 7.0866  | 24.0000         | 0.9449  | 139.20   | 142.20 | 171.70 | 167.60 | 147.42 | 162.99 | 142.367 | 167.085 | 2.03    | 1.52    |      |      |
| 1026                 |                 |        | 200.0000           | 7.8740  | 33.0000         | 1.2992  | 143.00   | 147.60 | 188.20 | 182.40 | 154.56 | 175.59 | 147.574 | 182.570 | 3.18    | 2.03    |      |      |
| 1226                 |                 |        | 40.0000            | 1.5748  | 230.0000        | 9.0551  | 79.3750  | 3.1250 | 149.10 | 154.90 | 213.90 | 206.20 | 164.72  | 197.13  | 154.973 | 206.375 | 4.75 | 2.54 |
| 5226                 |                 |        | 58.0000            | 2.2835  |                 |         |          |        |        |        |        |        |         |         |         |         |      |      |
| 1326                 |                 |        | 280.0000           | 11.0236 | 75.0000         | 2.9528  | 160.30   | 170.40 | 254.50 | 242.60 | 184.91 | 229.77 | 170.536 | 242.755 | 6.35    | 3.18    |      |      |
| 7326                 |                 |        |                    |         |                 |         | 111.1250 | 4.3750 |        |        |        |        |         |         |         |         |      |      |
| 5326                 |                 |        |                    |         |                 |         |          |        |        |        |        |        |         |         |         |         |      |      |
| 1928                 | 140.0000        | 5.5118 | 190.0000           | 7.4803  | 24.0000         | 0.9449  | 149.10   | 152.40 | 181.60 | 177.80 | 157.48 | 172.80 | 152.425 | 177.868 | 2.03    | 1.52    |      |      |
| 1028                 |                 |        | 210.0000           | 8.2677  | 33.0000         | 1.2992  | 153.70   | 157.50 | 198.10 | 192.50 | 164.54 | 185.60 | 157.556 | 192.557 | 3.96    | 2.03    |      |      |
| 1228                 |                 |        | 42.0000            | 1.6535  | 250.0000        | 9.8425  | 82.5500  | 3.2500 | 161.50 | 168.40 | 232.40 | 224.30 | 179.07  | 214.38  | 168.460 | 224.417 | 4.75 | 2.54 |
| 5228                 |                 |        | 62.0000            | 2.4409  |                 |         |          |        |        |        |        |        |         |         |         |         |      |      |
| 1328                 |                 |        | 300.0000           | 11.8110 | 83.0000         | 3.2677  | 172.00   | 181.60 | 271.30 | 258.10 | 196.98 | 244.35 | 181.684 | 258.082 | 7.92    | 3.18    |      |      |
| 7328                 |                 |        |                    |         |                 |         | 114.3000 | 4.5000 |        |        |        |        |         |         |         |         |      |      |
| 5328                 |                 |        |                    |         |                 |         |          |        |        |        |        |        |         |         |         |         |      |      |
| 1930                 | 150.0000        | 5.9055 | 210.0000           | 8.2677  | 28.0000         | 1.1024  | 161.50   | 165.40 | 199.10 | 194.60 | 171.22 | 188.92 | 165.354 | 194.790 | 3.18    | 2.03    |      |      |
| 1030                 |                 |        | 225.0000           | 8.8583  | 35.0000         | 1.3780  | 164.30   | 168.60 | 212.30 | 206.20 | 176.20 | 198.93 | 168.681 | 206.454 | 3.96    |         |      |      |
| 1230                 |                 |        | 45.0000            | 1.7717  | 270.0000        | 10.6299 | 88.9000  | 3.5000 | 174.20 | 181.40 | 251.00 | 241.80 | 193.04  | 231.01  | 181.544 | 241.854 | 6.35 | 2.54 |
| 5230                 |                 |        |                    |         |                 |         |          |        |        |        |        |        |         |         |         |         |      |      |

## Additional Notes

- Please call 1-866-REXNORD for availability
- Dimensions "R" & "r", largest fillet radius that will clear bearing corners
- For the Selection Guide, Load Ratings and Speed Limits, see the Link-Belt Cylindrical Roller Bearing Engineering section
- For shaft and housing bearing seat diameters, see Link-Belt Cylindrical Bearing Shaft & Housing Seat Diameters section
- Note: Dimensions subject to change. Certified dimensions of ordered material furnished on request.

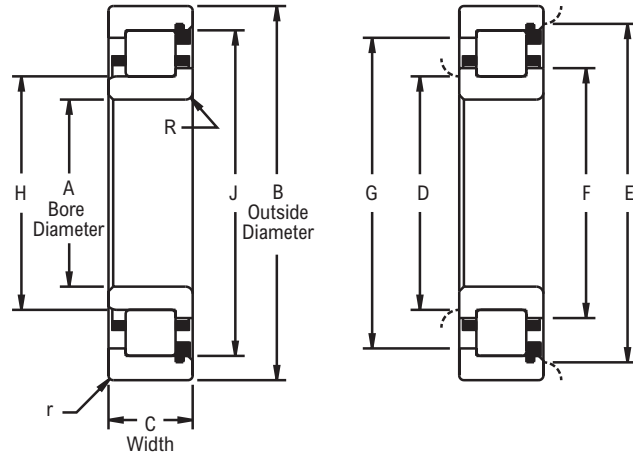
160mm, 170mm, 180mm, 190mm, 200mm Bores



Photo Shows an Unmounted Cylindrical Roller Bearing Assembly

**Product Features**

- Fully crowned rollers
- Precision ground ribs
- Contoured roller pockets
- Rollers individually separated
- Optional full complement
- See Features & Benefits for additional info.



**Bearing Dimensions**

| Basic Bearing Number | A Bore Diameter |        | B Outside Diameter |         | C Bearing Width |        | D      |        | E      |        | F      | G      | H       | J       | R    | r    |
|----------------------|-----------------|--------|--------------------|---------|-----------------|--------|--------|--------|--------|--------|--------|--------|---------|---------|------|------|
|                      | mm              | in     | mm                 | in      | mm              | in     | Plain  | Ribbed | Plain  | Ribbed |        |        |         |         |      |      |
| 1932                 | 160.0000        | 6.2992 | 220.0000           | 8.6614  | 28.0000         | 1.1024 | 171.70 | 175.30 | 209.30 | 204.70 | 181.25 | 198.96 | 175.387 | 204.828 | 3.18 | 2.03 |
| 1032                 |                 |        | 240.0000           | 9.4488  | 38.0000         | 1.4961 | 175.50 | 179.80 | 226.60 | 220.00 | 187.96 | 212.17 | 179.934 | 220.193 | 3.96 |      |
| 1232                 |                 |        | 290.0000           | 11.4173 | 48.0000         | 1.8898 | 185.70 | 193.50 | 269.50 | 259.60 | 205.87 | 247.83 | 193.634 | 259.705 | 6.35 |      |
| 5232                 |                 |        | 98.4250            | 3.8750  |                 |        |        |        |        |        |        |        |         |         |      |      |
| 1934                 | 170.0000        | 6.6929 | 230.0000           | 9.0551  | 28.0000         | 1.1024 | 181.60 | 185.40 | 219.20 | 214.60 | 191.29 | 208.99 | 185.420 | 214.866 | 3.18 | 2.03 |
| 1034                 |                 |        | 260.0000           | 10.2362 | 42.0000         | 1.6535 | 188.20 | 193.30 | 244.10 | 236.50 | 202.31 | 227.81 | 193.421 | 236.710 | 4.75 |      |
| 1234                 |                 |        | 310.0000           | 12.2047 | 52.0000         | 2.0472 | 197.10 | 205.20 | 287.50 | 277.60 | 219.08 | 264.74 | 205.483 | 277.734 | 6.35 |      |
| 5234                 |                 |        | 104.7750           | 4.1250  |                 |        |        |        |        |        |        |        |         |         |      |      |
| 1936                 | 180.0000        | 7.0866 | 250.0000           | 9.8425  | 33.0000         | 1.2992 | 193.00 | 197.60 | 238.20 | 232.40 | 204.60 | 225.68 | 197.612 | 232.644 | 3.96 | 2.03 |
| 1036                 |                 |        | 280.0000           | 11.0236 | 46.0000         | 1.8110 | 199.60 | 205.50 | 262.90 | 254.50 | 215.34 | 244.80 | 205.588 | 254.551 | 4.75 |      |
| 1236                 |                 |        | 320.0000           | 12.5984 | 52.0000         | 2.0472 | 207.50 | 216.20 | 298.20 | 288.50 | 229.87 | 275.56 | 216.289 | 288.544 | 6.35 |      |
| 5236                 |                 |        | 107.9500           | 4.2500  |                 |        |        |        |        |        |        |        |         |         |      |      |
| 1938                 | 190.0000        | 7.4803 | 260.0000           | 10.2362 | 33.0000         | 1.2992 | 202.90 | 182.10 | 248.40 | 242.60 | 214.71 | 235.79 | 207.719 | 242.768 | 3.96 | 2.03 |
| 1038                 |                 |        | 290.0000           | 11.4173 | 46.0000         | 1.8110 | 209.60 | 215.40 | 272.80 | 264.40 | 225.93 | 254.23 | 215.595 | 264.576 | 4.75 |      |
| 1238                 |                 |        | 340.0000           | 13.3858 | 55.0000         | 2.1654 | 220.10 | 229.10 | 320.37 | 309.63 | 244.11 | 290.48 | 229.276 | 309.723 | 7.42 |      |
| 5238                 |                 |        | 114.3000           | 4.5000  |                 |        |        |        |        |        |        |        |         |         |      |      |
| 1940                 | 200.0000        | 7.8740 | 280.0000           | 11.0236 | 38.0000         | 1.4961 | 215.40 | 220.00 | 266.40 | 260.10 | 227.99 | 252.22 | 219.964 | 260.256 | 4.75 | 2.03 |
| 1040                 |                 |        | 310.0000           | 12.2047 | 51.0000         | 2.0079 | 221.00 | 227.60 | 291.30 | 282.40 | 238.61 | 271.58 | 227.686 | 282.506 | 4.75 |      |
| 1240                 |                 |        | 360.0000           | 14.1732 | 58.0000         | 2.2835 | 232.40 | 242.10 | 334.50 | 322.60 | 257.43 | 308.20 | 242.197 | 322.651 | 7.92 |      |
| 5240                 |                 |        | 120.6500           | 4.7500  |                 |        |        |        |        |        |        |        |         |         |      |      |

**Additional Notes**

- Please call 1-866-REXNORD for availability
- Dimensions "R" & "r", largest fillet radius that will clear bearing corners
- For the Selection Guide, Load Ratings and Speed Limits, see the Link-Belt Cylindrical Roller Bearing Engineering section
- For shaft and housing bearing seat diameters, see Link-Belt Cylindrical Bearing Shaft & Housing Seat Diameters section
- Note: Dimensions subject to change. Certified dimensions of ordered material furnished on request.

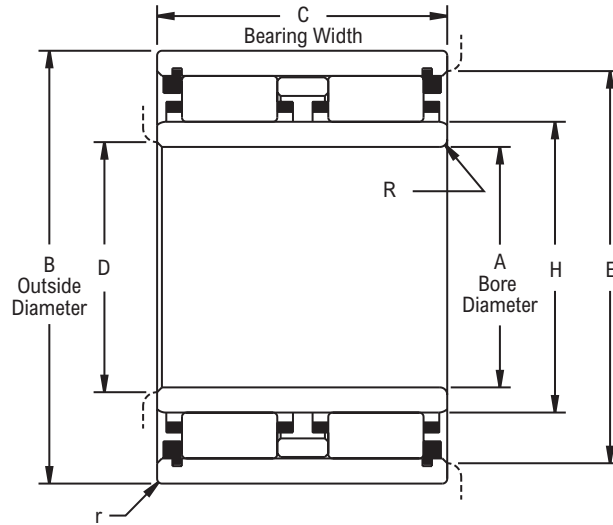
## 25mm thru 60mm Bores



Photo Shows an Unmounted Cylindrical Roller Bearing Assembly

### Product Features

- Double row
- Fully crowned rollers
- Contoured roller pockets
- Rollers individually separated
- See Features & Benefits for additional info.



### Bearing Dimensions

| Basic Bearing Number | A Bore Diameter |        | B Outside Diameter |        | C Bearing Width |        | D      | E      | H       | J O.R. Raceway I.D. | R    | r    | C Basic Load Rating | Co Basic Static Load Rating |
|----------------------|-----------------|--------|--------------------|--------|-----------------|--------|--------|--------|---------|---------------------|------|------|---------------------|-----------------------------|
|                      | mm              | in     | mm                 | in     | mm              | in     |        |        |         |                     |      |      |                     |                             |
| 6205                 | 25.0000         | 0.9843 | 52.0000            | 2.0472 | 41.2750         | 1.6250 | 30.50  | 47.00  | 32.166  | 44.854              | 1.02 | 1.02 | 10,200              | 15,700                      |
| 6206                 | 30.0000         | 1.1811 | 62.0000            | 2.4409 | 47.6250         | 1.8750 | 36.10  | 56.40  | 38.062  | 54.074              | 1.02 | 1.02 | 15,500              | 24,300                      |
| 6207                 | 35.0000         | 1.3780 | 72.0000            | 2.8346 | 53.9750         | 2.1250 | 41.60  | 65.30  | 43.970  | 62.471              | 1.02 | 1.02 | 19,400              | 30,600                      |
| 6208                 | 40.0000         | 1.5748 | 80.0000            | 3.1496 | 60.3250         | 2.3750 | 47.20  | 72.90  | 49.929  | 69.619              | 1.52 | 1.02 | 24,600              | 41,300                      |
| 6209                 | 45.0000         | 1.7717 | 85.0000            | 3.3465 | 60.3250         | 2.3750 | 52.80  | 78.20  | 55.519  | 74.988              | 1.52 | 1.02 | 26,700              | 47,500                      |
| 6210                 | 50.0000         | 1.9685 | 90.0000            | 3.5433 | 60.3250         | 2.3750 | 57.60  | 82.80  | 60.460  | 79.545              | 1.52 | 1.02 | 27,100              | 50,300                      |
| 6211                 | 55.0000         | 2.1654 | 100.0000           | 3.9370 | 66.6750         | 2.6250 | 64.00  | 87.90  | 66.901  | 88.019              | 2.03 | 1.52 | 32,900              | 61,900                      |
| 6212                 | 60.0000         | 2.3622 | 110.0000           | 4.3307 | 73.0250         | 2.8750 | 69.30  | 101.30 | 72.380  | 97.762              | 2.03 | 1.52 | 42,300              | 77,700                      |
| 6213                 | 65.0000         | 2.5591 | 120.0000           | 4.7244 | 76.2000         | 3.0000 | 77.00  | 110.00 | 80.421  | 105.804             | 2.54 | 1.52 | 45,900              | 88,700                      |
| 6214                 | 70.0000         | 2.7559 | 125.0000           | 4.9213 | 79.3750         | 3.1250 | 81.80  | 115.60 | 84.772  | 111.536             | 2.54 | 1.52 | 51,300              | 100,000                     |
| 6215                 | 75.0000         | 2.9528 | 130.0000           | 5.1181 | 82.5500         | 3.2500 | 85.60  | 120.10 | 89.014  | 115.781             | 2.54 | 1.52 | 55,800              | 113,000                     |
| 6216                 | 80.0000         | 3.1496 | 140.0000           | 5.5118 | 88.9000         | 3.5000 | 91.20  | 129.30 | 95.286  | 124.658             | 2.54 | 2.03 | 63,100              | 127,000                     |
| 6217                 | 85.0000         | 3.3465 | 150.0000           | 5.9055 | 98.4250         | 3.8750 | 98.00  | 101.80 | 102.006 | 134.216             | 3.18 | 2.03 | 77,600              | 159,000                     |
| 6218                 | 90.0000         | 3.5433 | 160.0000           | 6.2992 | 104.7750        | 4.1250 | 103.10 | 147.60 | 107.218 | 142.189             | 3.18 | 2.03 | 87,400              | 178,000                     |
| 6219                 | 95.0000         | 3.7402 | 170.0000           | 6.6929 | 111.1250        | 4.3750 | 109.00 | 157.00 | 113.518 | 151.242             | 3.18 | 2.03 | 100,000             | 206,000                     |

### Additional Notes

- Please call 1-866-REXNORD for availability
- Dimensions "R" & "r", largest fillet radius that will clear bearing corners
- For the Selection Guide, Load Ratings and Speed Limits, see the Link-Belt Cylindrical Roller Bearing Engineering section
- Note: Dimensions subject to change. Certified dimensions of ordered material furnished on request.





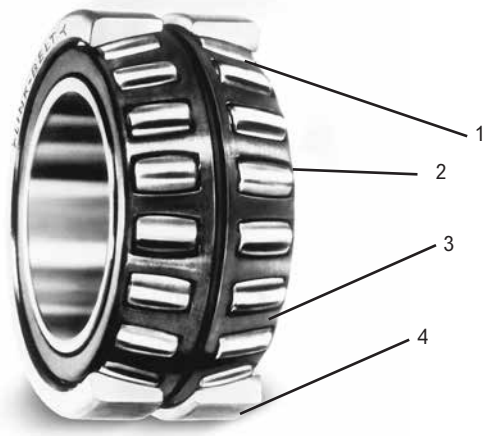


**Industries Served**

- Mining
- Forest Products
- Aggregates
- Steel
- Air Handling
- Construction
- Package Handling
- Waste Water Treatment

## Series A20000 Spherical Roller Bearings

Self-aligning separable outer ring bearings of single row adjustable and double row adjustable or non adjustable types for high capacity and minimum space requirements. These compact bearings feature the latest design refinements.



### 1. Raceway Curvatures.

Controlled raceway curvatures afford precise osculation clearance to avoid edge loading and provide high capacity.

### 2. Steel Retainer Pockets.

Roller guidance is provided by double contoured coined steel retainer pockets.

### 3. Large rollers for extended bearing life.

### 4. Micro-finished raceways assure smooth operation.

### Rollers

Rollers symmetrical roller design permits natural roller positioning and distribution of load in dynamic operation. Curvatures of roller contact surfaces are contoured to control stress distribution under all combinations of radial and thrust loads within design capacities.

### Rings

The geometry and sections of the outer and inner rings and rollers result in high capacity and long bearing life. Controlled raceway curvatures on inner and outer rings and rollers afford precise osculation clearances preventing roller edge loading. Outer ring raceways are spherically finished to provide freedom of alignment under variable conditions.

### Retainers

Double contoured deep coined pockets provide accurate roller guidance. Separate retainer for each row of rollers allows rollers to seek ultimate rolling path and operating angle for all radial/thrust load conditions.

## A 20000 Nomenclature

| Symbol | Description   | A | 22 | 196 | M | C0 | C40 |
|--------|---|---|----|-----|---|----|-----|
| A      | Spherical roller bearing, separable outer ring(s)                               |   |    |     |   |    |     |
| 22     | Basic bearing series  |   |    |     |   |    |     |
| 23     | Larger O.D. or greater load rating than series 22                               |   |    |     |   |    |     |
| 24     | Larger O.D. or greater load rating than series 23                               |   |    |     |   |    |     |
| 196    | Bore size in hundredths of an inch  |   |    |     |   |    |     |
| None   | Double row roller bearing; separable outer rings                                |   |    |     |   |    |     |
| M      | Double row bearing; separable outer rings with spacer for preadjusted clearance |   |    |     |   |    |     |
| S      | Single row roller bearing; adjustable   |   |    |     |   |    |     |
| C2     | Internal clearance less than C0   |   |    |     |   |    |     |
| C0     | Standard internal clearance   |   |    |     |   |    |     |
| C3     | Internal clearance greater than C0  |   |    |     |   |    |     |
| W22    | Reduced O.D. tolerance in center of tolerance range                             |   |    |     |   |    |     |
| C40    | Reduced O.D. tolerance in high half of tolerance range                          |   |    |     |   |    |     |
| C50    | Reduced O.D. tolerance in low half of tolerance range                           |   |    |     |   |    |     |

## Link-Belt Series A20000S Selection Guide

A20000S single row angular contact spherical roller bearings are suitable for a wide variety of mounting arrangements. In the application of these bearings, it is important to consider that radial loads produce a thrust reaction which must be opposed by another force... usually the thrust reaction from another bearing. This force maintains the bearing rings in their correct operating position.

Normally, two single row angular contact bearings are mounted opposed to one another on a common shaft. As thrust or thrust reactions are always present, it is advisable to calculate both bearing lives concurrently.

### Steps for Selection

#### Step 1

Determine an appropriate L10 design life.

| Type of service             | Operating time, hours per year | Design life, years | L10 design life, hours |
|-----------------------------|--------------------------------|--------------------|------------------------|
| Light seasonal usage        | 500 to 750                     | 3-5                | 3,000                  |
| Heavy seasonal usage        | 1,400 to 1,600                 | 4-6                | 8,000                  |
| Industrial—8 hour shift     | 2,000                          | 10                 | 20,000                 |
| Industrial—16 hour shift    | 4,000                          | 10                 | 40,000                 |
| Industrial—continuous       | 8,700                          | 10                 | 80,000 to 100,000      |
| Continuous—high reliability | —                              | —                  | 120,000 to 300,000     |

#### Step 2

Determine a required  $\left(\frac{C}{P}\right)$  from Table 1.

#### Step 3

Determine a required shaft diameter and make a temporary selection for each bearing to fit this shaft.

#### Step 4

Calculate each induced thrust reaction TF from the radial loads Fr on each bearing.

$$TF = \frac{0.5 Fr}{Y_2}$$

This reaction is directed along the shaft and tends to separate the individual inner ring and roller assemblies from their outer rings.

The selection procedures and rating formulas shown here are in agreement with The American Bearing Manufacturers Association Standards and ANSI/ ABMA STD 11-1990. Ratings are based on fatigue life. The Rating Life L10 or fatigue life at 90% reliability is the usual basis for bearing selection.

To assure a satisfactory bearing application, fitting practice, mounting, lubrication, sealing, static rating, housing strength, operating conditions and maintenance must be considered.

#### Step 5

Calculate resultant bearing thrust load Fa.

$$F_a = T_f + T$$

Tf is the thrust reaction from the opposite single row angular contact bearing. The applied thrust load T is positive (+) if in the same direction as Tf, and negative (-) if in the opposite direction. If Fa is negative, substitute zero for Fa.

#### Step 6

Calculate the ratio of the resultant bearing thrust load Fa to the radial load Fr for each bearing.

#### Step 7

Calculate the equivalent radial load P for both trial bearings.

$$P = XFr + YFa$$

If  $\frac{F_a}{F_r}$  is equal to or less than e, then

$$\frac{F_a}{F_r} \leq e \quad P = X1Fr + Y1Fa \quad \text{where} \quad \begin{matrix} X_1 = 1.0 \\ Y_1 = 0 \end{matrix}$$

If  $\frac{F_a}{F_r}$  is greater than e, then  $P = X2Fr + Y2Fa$ .

$$\frac{F_a}{F_r} > e$$

For values of e, X2, and Y2, see the bearing rating table.

#### Step 8

Calculate the required C rating of each bearing to verify the trial selections.

required  $C = \left(\frac{C}{P}\right) P$  using  $\left(\frac{C}{P}\right)$  from Step 2

Consult the bearing rating table to see if the selected bearings meet or exceed the required C in each case.

## Selection

### Symbols for formulas:

|  |   |
|--|---|
| C = basic load rating, pounds (or newtons)   | n = speed, revolutions per minute               |
| Co = static load rating, pounds (or newtons) | P = equivalent radial load, pounds (or newtons) |
| e = a reference value                        | X = radial factor                               |
| Fa = thrust load, pounds (or newtons)        | Y = thrust factor                               |
| Fr = radial load, pounds (or newtons)        |   |
| L10 = rating life, hours                     |   |

**Table 1 • Relation of L<sub>10</sub> life and speed to  $\left(\frac{C}{P}\right)$**

| Bearing Life Hours L <sub>10</sub> | Speed, n |      |       |       |       |       |       |       |       |  |
|------------------------------------|----------|------|-------|-------|-------|-------|-------|-------|-------|--|
|                                    | 50       | 100  | 200   | 300   | 400   | 500   | 600   | 700   | 800   |  |
| 3000                               | 1.93     | 2.38 | 2.93  | 3.31  | 3.61  | 3.86  | 4.07  | 4.27  | 4.44  |  |
| 4000                               | 2.11     | 2.59 | 3.19  | 3.61  | 3.93  | 4.20  | 4.44  | 4.65  | 4.84  |  |
| 5000                               | 2.25     | 2.77 | 3.42  | 3.86  | 4.20  | 4.50  | 4.75  | 4.97  | 5.18  |  |
| 6000                               | 2.38     | 2.93 | 3.61  | 4.07  | 4.44  | 4.75  | 5.02  | 5.25  | 5.47  |  |
| 8000                               | 2.59     | 3.19 | 3.93  | 4.44  | 4.84  | 5.18  | 5.47  | 5.73  | 5.96  |  |
| 10000                              | 2.77     | 3.42 | 4.20  | 4.75  | 5.18  | 5.54  | 5.85  | 6.12  | 6.37  |  |
| 12000                              | 2.93     | 3.61 | 4.44  | 5.02  | 5.47  | 5.85  | 6.18  | 6.47  | 6.73  |  |
| 14000                              | 3.07     | 3.78 | 4.65  | 5.25  | 5.73  | 6.12  | 6.47  | 6.77  | 7.05  |  |
| 16000                              | 3.19     | 3.93 | 4.84  | 5.47  | 5.96  | 6.37  | 6.73  | 7.05  | 7.34  |  |
| 18000                              | 3.31     | 4.07 | 5.02  | 5.66  | 6.18  | 6.60  | 6.97  | 7.30  | 7.60  |  |
| 20000                              | 3.42     | 4.20 | 5.18  | 5.85  | 6.37  | 6.81  | 7.20  | 7.54  | 7.85  |  |
| 25000                              | 3.65     | 4.50 | 5.54  | 6.25  | 6.81  | 7.29  | 7.70  | 8.06  | 8.39  |  |
| 30000                              | 3.86     | 4.75 | 5.85  | 6.60  | 7.20  | 7.70  | 8.13  | 8.51  | 8.86  |  |
| 35000                              | 4.04     | 4.97 | 6.12  | 6.92  | 7.54  | 8.06  | 8.51  | 8.92  | 9.28  |  |
| 40000                              | 4.20     | 5.18 | 6.37  | 7.20  | 7.85  | 8.39  | 8.86  | 9.28  | 9.66  |  |
| 45000                              | 4.36     | 5.36 | 6.60  | 7.46  | 8.13  | 8.69  | 9.18  | 9.61  | 10.00 |  |
| 50000                              | 4.50     | 5.54 | 6.81  | 7.70  | 8.39  | 8.97  | 9.48  | 9.92  | 10.30 |  |
| 60000                              | 4.75     | 5.85 | 7.20  | 8.13  | 8.86  | 9.48  | 10.00 | 10.50 | 10.90 |  |
| 70000                              | 4.97     | 6.12 | 7.54  | 8.51  | 9.28  | 9.92  | 10.50 | 11.00 | 11.40 |  |
| 80000                              | 5.18     | 6.37 | 7.85  | 8.86  | 9.66  | 10.30 | 10.90 | 11.40 | 11.90 |  |
| 90000                              | 5.36     | 6.60 | 8.13  | 9.18  | 10.00 | 10.70 | 11.30 | 11.80 | 12.30 |  |
| 100000                             | 5.54     | 6.81 | 8.39  | 9.48  | 10.30 | 11.00 | 11.70 | 12.20 | 12.70 |  |
| 150000                             | 6.25     | 7.70 | 9.48  | 10.70 | 11.70 | 12.50 | 13.20 | 13.80 | 14.40 |  |
| 200000                             | 6.81     | 8.39 | 10.30 | 11.70 | 12.70 | 13.60 | 14.40 | 15.00 | 15.70 |  |

|        | Speed, n |       |       |       |       |       |       |       |       |  |
|--------|----------|-------|-------|-------|-------|-------|-------|-------|-------|--|
|        | 900      | 1000  | 1200  | 1500  | 1800  | 2400  | 3000  | 3600  | 6000  |  |
| 3000   | 4.60     | 4.75  | 5.02  | 5.36  | 5.66  | 6.18  | 6.60  | 6.97  | 8.13  |  |
| 4000   | 5.02     | 5.18  | 5.47  | 5.85  | 6.18  | 6.73  | 7.20  | 7.60  | 8.86  |  |
| 5000   | 5.36     | 5.54  | 5.85  | 6.25  | 6.60  | 7.20  | 7.70  | 8.13  | 9.48  |  |
| 6000   | 5.66     | 5.85  | 6.18  | 6.60  | 6.97  | 7.60  | 8.13  | 8.59  | 10.00 |  |
| 8000   | 6.18     | 6.37  | 6.73  | 7.20  | 7.60  | 8.29  | 8.86  | 9.36  | 10.90 |  |
| 10000  | 6.60     | 6.81  | 7.20  | 7.70  | 8.13  | 8.86  | 9.48  | 10.00 | 11.70 |  |
| 12000  | 6.97     | 7.20  | 7.60  | 8.13  | 8.59  | 9.36  | 10.00 | 10.60 | 12.30 |  |
| 14000  | 7.30     | 7.54  | 7.96  | 8.51  | 8.99  | 9.80  | 10.50 | 11.10 | 12.90 |  |
| 16000  | 7.60     | 7.85  | 8.29  | 8.86  | 9.36  | 10.20 | 10.90 | 11.50 | 13.40 |  |
| 18000  | 7.88     | 8.13  | 8.59  | 9.18  | 9.70  | 10.60 | 11.30 | 11.90 | 13.90 |  |
| 20000  | 8.13     | 8.39  | 8.86  | 9.48  | 10.00 | 10.90 | 11.70 | 12.30 | 14.40 |  |
| 25000  | 8.69     | 8.97  | 9.48  | 10.10 | 10.70 | 11.70 | 12.50 | 13.20 | 15.40 |  |
| 30000  | 9.18     | 9.48  | 10.00 | 10.70 | 11.30 | 12.30 | 13.20 | 13.90 | 16.20 |  |
| 35000  | 9.61     | 9.92  | 10.50 | 11.20 | 11.80 | 12.90 | 13.80 | 14.60 | 17.00 |  |
| 40000  | 10.00    | 10.30 | 10.90 | 11.70 | 12.30 | 13.40 | 14.40 | 15.20 | 17.70 |  |
| 45000  | 10.40    | 10.70 | 11.30 | 12.10 | 12.80 | 13.90 | 14.90 | 15.70 | 18.30 |  |
| 50000  | 10.70    | 11.00 | 11.70 | 12.50 | 13.20 | 14.40 | 15.40 | 16.20 | 18.90 |  |
| 60000  | 11.30    | 11.70 | 12.30 | 13.20 | 13.90 | 15.20 | 16.20 | 17.10 | 20.00 |  |
| 70000  | 11.80    | 12.20 | 12.90 | 13.80 | 14.60 | 15.90 | 17.00 | 17.90 | 20.90 |  |
| 80000  | 12.30    | 12.70 | 13.40 | 14.40 | 15.20 | 16.50 | 17.70 | 18.70 | 21.80 |  |
| 90000  | 12.80    | 13.20 | 13.90 | 14.90 | 15.70 | 17.10 | 18.30 | 19.40 | 22.60 |  |
| 100000 | 13.20    | 13.60 | 14.40 | 15.40 | 16.20 | 17.70 | 18.90 | 20.00 | 23.30 |  |
| 150000 | 14.90    | 15.40 | 16.20 | 17.30 | 18.30 | 20.00 | 21.40 | 22.60 | 26.30 |  |
| 200000 | 16.20    | 16.70 | 17.70 | 18.90 | 20.00 | 21.80 | 23.30 | 24.60 | 28.70 |  |

## Basic Formula

$$\left(\frac{C}{P}\right) = \left(\frac{L_{10} \times n \times 60}{1,000,000}\right)^{3/10}$$

$$L_{10} = \frac{\left(\frac{C}{P}\right)^{10/3} \times 1,000,000}{n \times 60}$$

## Life Expectancy (pair of bearings)

To calculate the Rating Life L<sub>10</sub> of any pair of selected or trial bearings:

### Step 1

Calculate each induced thrust reaction T<sub>F</sub> from the radial loads Fr on each bearing.

$$T_F = \frac{0.5 F_r}{Y_2}$$

This reaction is directed along the shaft and tends to separate the individual inner ring and roller assemblies from their outer rings.

### Step 2

Calculate each resultant bearing thrust load Fa.

$$F_a = T_F + T$$

T<sub>F</sub> is the thrust reaction from the opposite single row angular contact bearing. The applied thrust load T is positive (+) if in the same direction as T<sub>F</sub>, and negative (-) if in the opposite direction. If Fa is negative, substitute zero for Fa.

### Step 3

Calculate the ratio of the resultant bearing thrust load Fa to the radial load Fr for each bearing.

### Step 4

Calculate the equivalent radial load P for both trial bearings. P = XFr + YFr

If  $\frac{F_a}{F_r}$  is equal to or less than e, then

$$P = X1Fr + Y1Fa \text{ where}$$

If  $\frac{F_a}{F_r}$  is greater than e, then

$$P = X2Fr + Y2Fa.$$

For values of e, X<sub>2</sub>, and Y<sub>2</sub> see the bearing rating table.

### Step 5

Calculate each ratio of the bearing basic load rating C to its equivalent radial load.

$$\left(\frac{C}{P}\right)$$

### Step 6

Approximate life expectancy of each bearing from Table 1.

## Life Adjustment

The Rating Life, L<sub>10</sub>, may be modified for some applications in accordance with the formula

$$L_n = a_1 a_2 a_3 L_{10}$$

where L<sub>n</sub> = Adjusted life for (100-n) % reliability,

a<sub>1</sub> = Life adjustment factor for reliability

a<sub>2</sub> = Life adjustment factor for material and processing

a<sub>3</sub> = Life adjustment factor for operating conditions.

For most normal applications, all factors will be taken as 1, and the Rating Life used as the selection basis or life estimate. In addition, as long as standard catalog bearings are used, a<sub>2</sub> will be normally set equal to one. The factor a<sub>3</sub> covers such things as lubrication, misalignment, and temperature.

Some conditions that could yield a<sub>3</sub> significantly different than unity include speeds less than 20000 DN or greater than 200000 DN, temperatures below -40°F (-40°C) or above 275°F (135°C). For other possible conditions, as well as additional information on life adjustment factors, consult Rexnord Bearing Division.

**Table 2 • Series A2000S Load Ratings and Speed Limits**

| Bearing number | Weight    |        | Co Static Load Rating |        | C Basic Load Rating |        | Approx. Speed Limit RPM <sup>^</sup> | e     | X2   | Y2   |      |      |
|----------------|-----------|--------|-----------------------|--------|---------------------|--------|--------------------------------------|-------|------|------|------|------|
|                | Kilograms | pounds | newtons               | pounds | newtons             | pounds |                                      |       |      |      |      |      |
| A22100S        | 0.2       | 0.5    | 36                    | 500    | 8210                | 33     | 300                                  | 7480  | 7100 | 0.51 | 0.40 | 1.17 |
| A22150S        | 0.3       | 0.6    | 46                    | 600    | 10500               | 37     | 800                                  | 8510  | 5700 | 0.44 | 0.40 | 1.37 |
| A22196S        | 0.5       | 1.1    | 73                    | 800    | 16600               | 55     | 100                                  | 12400 | 4500 | 0.40 | 0.40 | 1.49 |
| A23225S        | 0.6       | 1.4    | 98                    | 800    | 22200               | 68     | 500                                  | 15400 | 4000 | 0.40 | 0.40 | 1.49 |
| A22262S        | 0.9       | 2.0    | 136                   | 100    | 30600               | 93     | 200                                  | 21000 | 3500 | 0.37 | 0.40 | 1.61 |
| A23275S        | 2.1       | 4.7    | 187                   | 700    | 42200               | 150    | 300                                  | 33800 | 2850 | 0.40 | 0.40 | 1.49 |
| A22300S        | 1.4       | 3.0    | 159                   | 200    | 35800               | 108    | 500                                  | 24400 | 3100 | 0.38 | 0.40 | 1.59 |
| A23300S        | 2.3       | 5.0    | 201                   | 500    | 45300               | 132    | 600                                  | 29800 | 2650 | 0.38 | 0.40 | 1.57 |
| A23334S        | 2.0       | 4.4    |                       |        |                     |        |                                      |       |      |      |      |      |
| A22413S        | 4.1       | 9.0    | 395                   | 100    | 88800               | 244    | 700                                  | 55000 | 2100 | 0.38 | 0.40 | 1.60 |

Please consult for availability.

<sup>^</sup> For oil lubrication only. For grease lubrication, use 75% of these values.

**Table 3 • Series A20000, A20000M Load Ratings and Speed Limits**

| Bearing Number | Weight    |        | Co Static Load Rating |         | C Basic Load Rating |        | Approximate speed limit RPM* | e    | $\frac{F_a}{F_r} \leq e$ |      | $\frac{F_a}{F_r} > e$ |      |
|----------------|-----------|--------|-----------------------|---------|---------------------|--------|------------------------------|------|--------------------------|------|-----------------------|------|
|                | kilograms | pounds | newtons               | newtons | newtons             | pounds |                              |      | X1                       | Y1   | X2                    | Y2   |
| A22100         | 0.4       | 1.0    |                       |         |                     |        |                              |      |                          |      |                       |      |
| A22100M        | 0.4       | 1.0    | 66 100                | 14900   | 51 200              | 11500  | 7100                         | 0.51 | 1.00                     | 1.32 | 0.67                  | 1.96 |
| A22112         | 0.4       | 0.9    |                       |         |                     |        |                              |      |                          |      |                       |      |
| A22112M        | 0.4       | 0.9    |                       |         |                     |        |                              |      |                          |      |                       |      |
| A22118         | 0.6       | 1.3    | 80 500                | 18100   | 60 900              | 13700  | 6200                         | 0.48 | 1.00                     | 1.40 | 0.67                  | 2.08 |
| A22118M        | 0.6       | 1.4    |                       |         |                     |        |                              |      |                          |      |                       |      |
| A22125         | 0.5       | 1.1    |                       |         |                     |        |                              |      |                          |      |                       |      |
| A22125M        | 0.5       | 1.2    |                       |         |                     |        |                              |      |                          |      |                       |      |
| A22137         | 0.6       | 1.3    | 93 200                | 20900   | 64 900              | 14600  | 5700                         | 0.44 | 1.00                     | 1.54 | 0.67                  | 2.29 |
| A22137M        | 0.6       | 1.4    |                       |         |                     |        |                              |      |                          |      |                       |      |
| A22150         | 0.5       | 1.2    |                       |         |                     |        |                              |      |                          |      |                       |      |
| A22150M        | 0.6       | 1.3    |                       |         |                     |        |                              |      |                          |      |                       |      |
| A22177         | 0.9       | 2.0    | 127 700               | 28700   | 89 800              | 20200  | 4800                         | 0.45 | 1.00                     | 1.51 | 0.67                  | 2.25 |
| A22177M        | 0.9       | 2.0    |                       |         |                     |        |                              |      |                          |      |                       |      |
| A22196         | 1.0       | 2.1    | 147 700               | 33200   | 94 300              | 21200  | 4500                         | 0.40 | 1.00                     | 1.68 | 0.67                  | 2.50 |
| A22196M        | 1.0       | 2.3    |                       |         |                     |        |                              |      |                          |      |                       |      |
| A23196         | 1.4       | 3.1    | 189 000               | 42500   | 130 300             | 29300  | 4200                         | 0.45 | 1.00                     | 1.50 | 0.67                  | 2.24 |
| A23196M        | 1.5       | 3.3    |                       |         |                     |        |                              |      |                          |      |                       |      |
| A24196         | 2.0       | 4.3    | 245 500               | 55200   | 164 600             | 37000  | 3850                         | 0.48 | 1.00                     | 1.39 | 0.67                  | 2.07 |
| A24196M        | 2.1       | 4.7    |                       |         |                     |        |                              |      |                          |      |                       |      |
| A23200         | 1.4       | 3.2    |                       |         |                     |        |                              |      |                          |      |                       |      |
| A23200M        | 1.5       | 3.3    | 197 500               | 44400   | 117 400             | 26400  | 4000                         | 0.40 | 1.00                     | 1.68 | 0.67                  | 2.50 |
| A23225         | 1.3       | 2.8    |                       |         |                     |        |                              |      |                          |      |                       |      |
| A23225M        | 1.3       | 2.9    |                       |         |                     |        |                              |      |                          |      |                       |      |
| A24236         | 1.8       | 3.9    | 238 000               | 53500   | 139 700             | 31400  | 3600                         | 0.38 | 1.00                     | 1.80 | 0.67                  | 2.68 |
| A24236M        | 2.0       | 4.3    |                       |         |                     |        |                              |      |                          |      |                       |      |
| A22262         | 1.9       | 4.2    | 272 700               | 61300   | 159 700             | 35900  | 3500                         | 0.37 | 1.00                     | 1.81 | 0.67                  | 2.70 |
| A23262         | 2.9       | 6.5    | 249 400               | 67300   | 194 400             | 43700  | 3250                         | 0.42 | 1.00                     | 1.62 | 0.67                  | 2.42 |
| A23262M        | 3.1       | 6.9    |                       |         |                     |        |                              |      |                          |      |                       |      |
| A23275         | 4.2       | 9.3    | 375 000               | 84300   | 257 500             | 57900  | 2850                         | 0.40 | 1.00                     | 1.67 | 0.67                  | 2.49 |
| A23275M        | 4.4       | 9.8    |                       |         |                     |        |                              |      |                          |      |                       |      |
| A22275         | 3.0       | 6.6    | 318 000               | 71500   | 185 900             | 41800  | 3100                         | 0.38 | 1.00                     | 1.79 | 0.67                  | 2.67 |
| A22275M        | 3.1       | 6.8    |                       |         |                     |        |                              |      |                          |      |                       |      |
| A22295         | 2.7       | 6.0    |                       |         |                     |        |                              |      |                          |      |                       |      |
| A22295M        | 2.8       | 6.2    |                       |         |                     |        |                              |      |                          |      |                       |      |
| A23334         | 4.0       | 8.9    | 403 400               | 90700   | 226 800             | 51000  | 2650                         | 0.38 | 1.00                     | 1.77 | 0.67                  | 2.64 |
| A23334M        | 4.3       | 9.4    |                       |         |                     |        |                              |      |                          |      |                       |      |
| A22343         | 4.3       | 9.4    | 516 000               | 116000  | 274 000             | 61600  | 2600                         | 0.43 | 1.00                     | 1.57 | 0.67                  | 2.33 |
| A22343M        | 4.4       | 9.8    |                       |         |                     |        |                              |      |                          |      |                       |      |
| A22351         | 4.9       | 10.9   |                       |         |                     |        |                              |      |                          |      |                       |      |
| A22351M        | 5.1       | 11.3   |                       |         |                     |        |                              |      |                          |      |                       |      |
| A22362         | 4.7       | 10.4   |                       |         |                     |        |                              |      |                          |      |                       |      |
| A22362M        | 4.9       | 10.8   |                       |         |                     |        |                              |      |                          |      |                       |      |
| A24374         | 7.5       | 16.0   | 609 400               | 137000  | 351 800             | 79100  | 2200                         | 0.36 | 1.00                     | 1.88 | 0.67                  | 2.79 |
| A22354         | 9.6       | 21.1   |                       |         |                     |        |                              |      |                          |      |                       |      |
| A22354M        | 10.0      | 22.1   |                       |         |                     |        |                              |      |                          |      |                       |      |
| A22400         | 8.6       | 18.9   | 790 200               | 178000  | 419 400             | 94300  | 2100                         | 0.38 | 1.00                     | 1.80 | 0.67                  | 2.68 |
| A22400M        | 8.8       | 19.3   |                       |         |                     |        |                              |      |                          |      |                       |      |
| A22413         | 8.4       | 18.6   |                       |         |                     |        |                              |      |                          |      |                       |      |
| A22413M        | 8.7       | 19.1   |                       |         |                     |        |                              |      |                          |      |                       |      |
| A23472         | 13.6      | 30.0   | 944 700               | 212000  | 520 400             | 117000 | 1800                         | 0.37 | 1.00                     | 1.83 | 0.67                  | 2.72 |

\* For oil lubrication only. For grease lubrication, use 75% of these values.

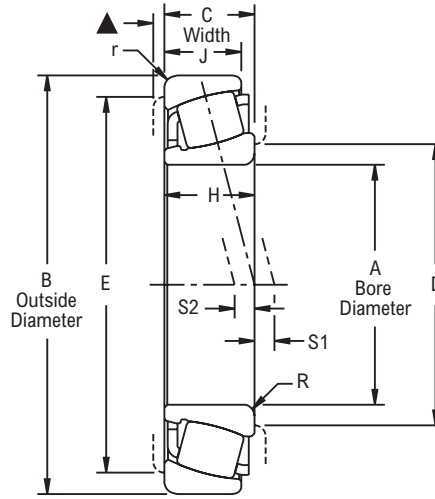
## A20000S



Photo Shows an Unmounted Spherical Roller Bearing Unit

### Product Features

- Single row
- Adjustable
- Self aligning
- Deep coined retainer
- Double contoured roller pocket
- See Features & Benefits for additional info.



### Bearing Dimensions

| Part Number | A Bore Diameter | B Outside Diameter | C Bearing Width | D    | E    | H      | J      | R     | r     | S1 & S2 | Approx. Weight |
|-------------|-----------------|--------------------|-----------------|------|------|--------|--------|-------|-------|---------|----------------|
| A22100S     | 1.0000          | 2.3750             | 0.7810          | 1.37 | 2.00 | 0.7930 | 0.4910 | 0.046 | 0.046 | 0.187   | 1.00           |
| A22150S     | 1.5000          | 2.8345             | 0.6700          | 1.81 | 2.50 | 0.6500 | 0.5460 | 0.062 | 0.062 | 0.015   | 1.10           |
| A22196S     | 1.9680          | 3.5433             | 0.7870          | 2.38 | 3.18 | 0.7870 | 0.6510 | 0.078 | 0.078 | 0.024   | 1.20           |
| A23225S     | 2.2500          | 3.9370             | 0.8280          | 2.65 | 3.50 | 0.8600 | 0.6930 | 0.093 | 0.062 | 0.000   | 4.00           |
| A22262S     | 2.6250          | 4.4677             | 0.9480          | 3.06 | 4.07 | 1.0000 | 0.6900 | 0.140 | 0.062 | 0.090   | 2.00           |
| A22300S     | 3.0000          | 5.1172             | 1.0620          | 3.40 | 4.57 | 1.0620 | 0.9280 | 0.078 | 0.078 | 0.000   | 2.40           |
| A23300S     | 3.0000          | 5.9045             | 1.1090          | 4.00 | 5.34 | 1.2360 | 0.9250 | 0.140 | 0.125 | 0.048   | 5.00           |
| A23334S     | 3.3457          | 5.9045             | 1.1090          | 4.00 | 5.34 | 1.1090 | 0.9250 | 0.125 | 0.125 | 0.048   | 5.10           |

### Additional Notes

- Please call 1-866-REXNORD for availability
- ▲ Housing recess: recommended 3/16 in, minimum 1/16 in
- Dimension "R" & "r" are the largest fillet radius that will clear bearing corners
- Bearing O.D. tolerance, +.001 in/-.000 in (**+0.025 mm/-0.000 mm**)
- Bore tolerance for shaft sizes 3.0000 in and smaller, +.0005 in/-.0000 in (**+0.013 mm/-0.000 mm**); for all other shaft sizes, +.0010 in/-.0000 in (**+0.025 mm/-0.000 mm**)
- "S1" dimension applies to bore diameters 3.000 in to 4.1331 in, "S2" dimension for all others

- For the Selection Guide, Load Ratings and Speed Limits, see the Link-Belt A20000 Bearing Engineering section
- For shaft bearing seat diameters, see Link-Belt Split Spherical Bearings Shaft & Housing Seat Diameters section
- Note: Dimensions subject to change. Certified dimensions of ordered material furnished on request.



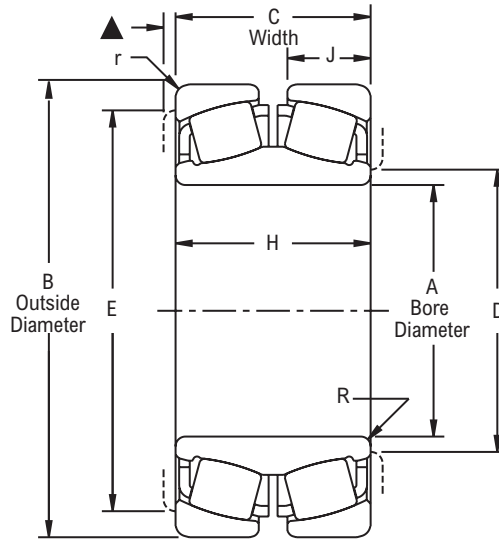
# A20000



Photo Shows an Unmounted Spherical Roller Bearing Unit

## Product Features

- Double row
- Adjustable
- Self aligning
- Deep coined retainers
- Double contoured roller pocket
- See Features & Benefits for additional info.



## Bearing Dimensions

| Part Number | A Bore Diameter | B Outside Diameter | C Bearing Width | D    | E    | H      | J      | R     | r     | Approx. Weight |
|-------------|-----------------|--------------------|-----------------|------|------|--------|--------|-------|-------|----------------|
| A22100      | 1.0000          | 2.3750             | 1.1880          | 1.31 | 2.00 | 1.1880 | 0.4910 | 0.046 | 0.046 | 1.20           |
| A22112      | 1.1250          | 2.3750             | 1.1880          | 1.31 | 2.00 | 1.1880 | 0.4910 | 0.046 | 0.046 | 1.20           |
| A22118      | 1.1875          | 2.6250             | 1.3120          | 1.50 | 2.31 | 1.3120 | 0.5410 | 0.046 | 0.062 | 1.20           |
| A22125      | 1.2500          | 2.6250             | 1.3120          | 1.50 | 2.31 | 1.3120 | 0.5410 | 0.046 | 0.062 | 1.20           |
| A22137      | 1.3775          | 2.8345             | 1.3100          | 1.68 | 2.50 | 1.3100 | 0.5460 | 0.046 | 0.062 | 1.60           |
| A22150      | 1.5000          | 2.8345             | 1.3100          | 1.68 | 2.50 | 1.3100 | 0.5460 | 0.046 | 0.062 | 1.60           |
| A22177      | 1.7712          | 3.3464             | 1.5780          | 2.00 | 2.87 | 1.5780 | 0.6510 | 0.080 | 0.062 | 1.60           |
| A22196      | 1.9680          | 3.5433             | 1.5260          | 2.25 | 3.18 | 1.5260 | 0.6510 | 0.062 | 0.078 | 2.30           |
| A23196      | 1.9680          | 3.9370             | 1.6560          | 2.25 | 3.50 | 1.6560 | 0.6240 | 0.093 | 0.062 | 2.30           |
| A24196      | 1.9680          | 4.3299             | 2.0620          | 2.18 | 3.83 | 2.0620 | 0.8360 | 0.062 | 0.080 | 4.00           |
| A23200      | 2.0000          | 3.9370             | 1.6560          | 2.50 | 3.50 | 1.6560 | 0.6930 | 0.093 | 0.062 | 4.00           |
| A23225      | 2.2500          | 3.9370             | 1.6560          | 2.50 | 3.50 | 1.6560 | 0.6930 | 0.093 | 0.062 | 4.00           |
| A24236      | 2.3616          | 4.3307             | 1.7500          | 2.68 | 3.87 | 1.7500 | 0.7630 | 0.062 | 0.078 | 4.00           |
| A22262      | 2.6250          | 4.4677             | 1.7160          | 3.00 | 4.07 | 1.7160 | 0.6900 | 0.140 | 0.062 | 6.60           |
| A23262      | 2.6250          | 5.0000             | 2.1880          | 2.90 | 4.44 | 2.1880 | 0.9360 | 0.078 | 0.078 | 6.60           |
| A22275      | 2.7500          | 5.1172             | 2.1250          | 3.31 | 4.57 | 2.1500 | 0.9280 | 0.080 | 0.078 | 6.90           |
| A22295      | 2.9522          | 5.1172             | 2.1250          | 3.31 | 4.57 | 2.1500 | 0.9280 | 0.140 | 0.078 | 6.90           |
| A23334      | 3.3457          | 5.9045             | 2.3130          | 3.75 | 5.34 | 2.3130 | 0.9250 | 0.078 | 0.125 | 6.90           |
| A22343      | 3.4375          | 6.0000             | 2.7500          | 4.00 | 5.43 | 2.7500 | 1.1730 | 0.078 | 0.125 | 11.30          |
| A22351      | 3.5100          | 6.0000             | 2.7500          | 4.00 | 5.43 | 2.7500 | 1.1730 | 0.078 | 0.125 | 11.30          |
| A22362      | 3.6250          | 6.0000             | 2.7500          | 4.00 | 5.43 | 2.7500 | 1.1730 | 0.078 | 0.125 | 11.30          |
| A24374      | 3.7402          | 7.0866             | 2.6770          | 4.19 | 6.38 | 2.6770 | 1.1520 | 0.093 | 0.125 | 11.30          |

## Additional Notes

- Please call 1-866-REXNORD for availability
- ▲ Housing recess: recommended 3/16 in, minimum 1/16 in
- Dimension "R" & "r" are the largest fillet radius that will clear bearing corners
- Bearing O.D. tolerance, +.001 in/-.000 in (**+0.025 mm/-0.000 mm**)
- Bore tolerance for shaft sizes 2.5000 in and smaller, +.0005 in/-.0000 in (**+0.013 mm/-0.000 mm**); for all other shaft sizes, +.0010 in/-.0000 in (**+0.025 mm/-0.000 mm**)
- Bearing width tolerance, +/-0.025 in (**+/-0.64 mm**)
- Housing must allow clearance for this adjustment on dimension "C"

- For the Selection Guide, Load Ratings and Speed Limits, see the Link-Belt A20000 Bearing Engineering section
- For shaft bearing seat diameters, see Link-Belt Split Spherical Bearings Shaft & Housing Seat Diameters section
- Note: Dimensions subject to change. Certified dimensions of ordered material furnished on request.

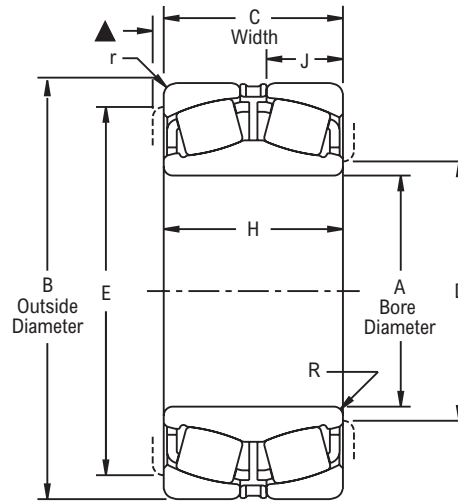
## A20000M



Photo Shows an Unmounted Spherical Roller Bearing Unit

### Product Features

- Double row
- Factory adjusted
- Self aligning
- Deep coined retainers
- Double contoured roller pocket
- See Features & Benefits for additional info.



### Bearing Dimensions

| Part Number | A Bore Diameter | B Outside Diameter | C Bearing Width | D    | E    | H      | J      | R     | r     | Approx. Weight |
|-------------|-----------------|--------------------|-----------------|------|------|--------|--------|-------|-------|----------------|
| A22100M     | 1.0000          | 2.3750             | 1.1880          | 1.31 | 2.00 | 1.1880 | 0.4910 | 0.046 | 0.046 | 1.00           |
| A22112M     | 1.1250          | 2.3750             | 1.1880          | 1.31 | 2.00 | 1.1880 | 0.4910 | 0.046 | 0.046 | 1.00           |
| A22118M     | 1.1875          | 2.6250             | 1.3120          | 1.50 | 2.31 | 1.3120 | 0.5410 | 0.046 | 0.062 | 1.00           |
| A22125M     | 1.2500          | 2.6250             | 1.3120          | 1.50 | 2.31 | 1.3120 | 0.5410 | 0.046 | 0.062 | 1.00           |
| A22137M     | 1.3775          | 2.8345             | 1.3100          | 1.68 | 2.50 | 1.3100 | 0.5460 | 0.046 | 0.062 | 1.70           |
| A22150M     | 1.5000          | 2.8345             | 1.3100          | 1.68 | 2.50 | 1.3100 | 0.5460 | 0.046 | 0.062 | 1.70           |
| A22177M     | 1.7712          | 3.3464             | 1.5780          | 2.00 | 2.87 | 1.5780 | 0.6510 | 0.080 | 0.062 | 1.70           |
| A22196M     | 1.9680          | 3.5433             | 1.5260          | 2.25 | 3.18 | 1.5260 | 0.6510 | 0.062 | 0.078 | 2.40           |
| A23196M     | 1.9680          | 3.9370             | 1.6560          | 2.25 | 3.50 | 1.6560 | 0.6240 | 0.093 | 0.062 | 2.40           |
| A23200M     | 2.0000          | 3.9370             | 1.6560          | 2.50 | 3.50 | 1.6560 | 0.6930 | 0.093 | 0.062 | 4.00           |
| A23225M     | 2.2500          | 3.9370             | 1.6560          | 2.50 | 3.50 | 1.6560 | 0.6930 | 0.093 | 0.062 | 4.00           |
| A24196M     | 1.9680          | 4.3299             | 2.0620          | 2.18 | 3.83 | 2.0620 | 0.8360 | 0.062 | 0.080 | 4.00           |
| A24236M     | 2.3616          | 4.3307             | 1.7500          | 2.68 | 3.87 | 1.7500 | 0.7630 | 0.062 | 0.078 | 4.00           |
| A23262M     | 2.6250          | 5.0000             | 2.1880          | 2.90 | 4.44 | 2.1880 | 0.9360 | 0.078 | 0.078 | 6.70           |
| A22275M     | 2.7500          | 5.1172             | 2.1250          | 3.31 | 4.57 | 2.1500 | 0.9280 | 0.080 | 0.078 | 9.50           |
| A22295M     | 2.9522          | 5.1172             | 2.1250          | 3.31 | 4.57 | 2.1500 | 0.9280 | 0.140 | 0.078 | 9.50           |
| A23334M     | 3.3457          | 5.9045             | 2.3130          | 3.75 | 5.34 | 2.3130 | 0.9250 | 0.078 | 0.125 | 9.50           |
| A22343M     | 3.4375          | 6.0000             | 2.7500          | 4.00 | 5.43 | 2.7500 | 1.1730 | 0.078 | 0.125 | 15.00          |
| A22351M     | 3.5100          | 6.0000             | 2.7500          | 4.00 | 5.43 | 2.7500 | 1.1730 | 0.078 | 0.125 | 15.00          |
| A22362M     | 3.6250          | 6.0000             | 2.7500          | 4.00 | 5.43 | 2.7500 | 1.1730 | 0.078 | 0.125 | 15.00          |

### Additional Notes

- Please call 1-866-REXNORD for availability
- Complete part number includes clearance symbol, i.e. A22100MCO
- ▲ Housing recess: recommended 3/16 in, minimum 1/16 in
- Dimension "R" & "r" are the largest fillet radius that will clear bearing corners
- Bearing O.D. tolerance, +.001 in/-0.000 in (+0.025 mm/-0.000 mm)
- Bore tolerance for shaft sizes 2.5000 in and smaller, +.0005 in/-0.0000 in (+0.013 mm/-0.000 mm); for all other shaft sizes, +.0010 in/-0.0000 in (+0.025 mm/-0.000 mm)
- Bearing width tolerance, +/-0.025 in (+/-0.64 mm)

- Housing must allow clearance for this adjustment on dimension "C"
- For the Selection Guide, Load Ratings and Speed Limits, see the Link-Belt A20000 Bearing Engineering section
- For shaft bearing seat diameters, see Link-Belt Split Spherical Bearings Shaft & Housing Seat Diameters section
- Note: Dimensions subject to change. Certified dimensions of ordered material furnished on request.



Industries Served  
Construction  
Agriculture  
Food  
Marine

## Duralon Composite Bearings

Duralon® bearings are a self-lubricated bearing, normally used between 4,000 and 30,000 psi in sliding and oscillating linkages. It is constructed from woven Teflon® high strength fiber and bondable yarns to make up the bearing element. Continuous strands of fiberglass and epoxy resin make up the matrix of the composite bearing material.

### Features and Benefits

#### Strength

Applications that have 30,000 psi dynamically  
Optimizes strength/weight ratio

#### Corrosion Resistance

Resists galvanic and fretting corrosion

#### Self-Lubricating

Eliminates contaminating lubricants  
Operates above or below useful  
temperature of lubricants  
Eliminates complex lubrication systems  
Minimizes slipstick problems

#### Seizure Resistance

Minimizes galling and scoring

#### Lightweight

77% of steel weight, 30% of aluminum –  
easier handling, reduces equipment weight

#### Non-Metallic

Electrical insulation  
Reduces noise volumes  
USDA approved for non-contact use



### Sizes and Shapes Available

#### Straight Sleeve Bearings

Round, Square and Hex Bore  
Round Bore Diameter – 1/8" to 26"  
PTFE fabric on ID bore and optional on OD

#### Linear Bearings

Bore Diameter – 1/4" to 4"  
Available in open configuration to  
clear pedestal shaft mounts

#### Flange Bearings

Bore Diameter – 1/8" to 26"  
Available with or without woven  
PTFE liner on the flange face

#### Thrust Washers

Outer Diameter – 3/8" to 18"

#### Spherical Annular

Bore Diameter - 1/4" to 6"

#### Acuator Bearing

Bore Diameter – consult Rexnord Engineering  
Bore Shapes – Helical and threaded



## Duralon Nomenclature

| Symbol | Description   |                             |
|--------|---|-----------------------------|
|        |   | <b>7010 - 000 008 - 016</b> |
| 701    | Straight Sleeve Bearing   |                             |
| 702    | Flange Sleeve, No PTFE Fabric on the Flange Face                          |                             |
| 703    | Flange Sleeve, PTFE Fabric on the Flange Face                             |                             |
| 706    | Actuator Nut  |                             |
| 707    | Thrust Washer, PTFE Fabric on one face or both                            |                             |
| 708    | OD lined Sleeve Bearing, Cylindrical OD                                   |                             |
| 710    | Ball Bearing Replacement, Cylindrical OD                                  |                             |
| 711    | Ball Bearing Replacement, Spherical OD, without Fabric on the OD          |                             |
| 718    | Ball Bearing Replacement, Spherical OD, PTFE Fabric on the OD             |                             |
| 799    | Special Bearing Configuration   |                             |
| 00     | Catalog Thinwall Bearing  |                             |
| 01     | Catalog Heavywall Bearing   |                             |
| 61     | Open Linear Replacement Bearing   |                             |
| 66     | Catalog Linear Replacement Bearing  |                             |
| 70     | Catalog Square Bore Bearing   |                             |
| 90     | Catalog Hex Bore Bearing  |                             |
| 008    | Bore Size<br>(1 inch = 016)   |                             |
| 016    | Bearing Length<br>The length of the bearing in 1/32 of an inch increments |                             |

## Design and Application Guidelines

The overall performance of filament wound bearings is directly affected by operating factors such as applied loads, operating motions, duty cycle, environmental conditions, installation methods, shaft finish and hardness. While specific design criteria are not available for all applications, certain guidelines must be followed to provide the rated life.

### Loads and Ratings

The filament wound back-up material in Duralon journal bearings is capable of withstanding static radial load levels as high as 60,000 psi on the projected bearing area. This is in excess of the fabric liner capability of (50,000 psi) based on previous experiences. The load deflection relationship of Duralon journal bearings and metal-backed Teflon lined bearings is very similar. The yield point and ultimate strength of the filament wound back-up material are approximately equal.

$$\text{PSI} = \frac{\text{Load lbs.}}{\text{I.D.} \times \text{W}}$$

### Load-life Relationship

Since accumulated wear terminates the useful life of a properly selected Teflon liner bearing, the Duralon selection procedure is based on the use of Bearing Area Factors (BAF), rather than load ratings, to select a bearing which meets the combined load-life requirements of the application. The Bearing Area Factor (BAF) is a numerical index of a bearing's dynamic performance ability and is based upon effective bearing area.

Duralon bearings are rated on the basis of L10 life expectancy which means that 90% of a given group of bearings will exceed the predicted life. The correlation of load and life is shown in the lower half of the Selection Chart which relates the BAF to cycle of life. BAF values for bearings involving standard combinations of bore and length, are shown in the bearing listings.

### Bearing Area Factor

$$\text{BAF} = \text{I.D.} \times \text{W} \times 0.090$$

I.D. = Bearing Inner Diameter

W = Bearing Length

All dimensions are in inches

### Motion

Duralon bearings can withstand various degrees of motion, depending upon speed and load. They will operate under all degrees of motion normally encountered in applications. Note that the degree of oscillation can affect bearing performance and must be taken into account when making a bearing selection, as shown on the nomograph.

Laboratory testing of Filament journal bearings has shown their capacity to operate successfully under the low speeds, (less than 90 cycles per minute), high load conditions, (up to 30,000 psi), as well as the high speeds, (up to 300 cpm), light load conditions (less than 5,000 psi)

### Temperature

The normal operating temperature range for Duralon bearings is -65° to 325° F. Satisfactory operation can be obtained with limited exposure to temperatures as high as 400° F. However, at continuous temperatures above 325° F an increase in wear rates will be experienced. Contact a Rexnord engineer for applications at cryogenic temperature, as well as for applications

### Shaft Recommendations

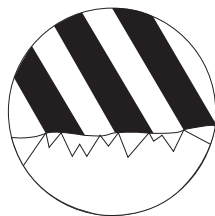
Since the shaft surface significantly affects the operation of the journal bearing design, its selection in regard to material, hardness, coating and surface roughness is crucial.

High loads require smooth surfaces with hardened and heat treated shafts. With stress levels of 8,000 to 30,000 psi shafting should have a surface finish of 8 micro inch or better to achieve optimum performance. However, tests have been run on 25-30 micro inch finishes with 55 Rc shafts at 4,000 psi with acceptable results.

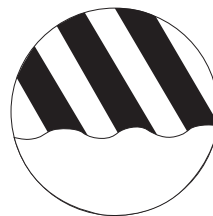
### Shafting Materials

A number of shaft materials have been used in conjunction with Duralon bearings:

1. 52100 high carbon steel
2. 4140 chrome and nickel plated steel
3. 300 and 400 series stainless steel
4. Precipitation hardened grades 17-4PH, 15-5PH, 13-8PH  
Moly chrome and nickel plated stainless steel
5. 2000 and 7000 series aluminum grade hard anodized
6. Low to high carbon steels



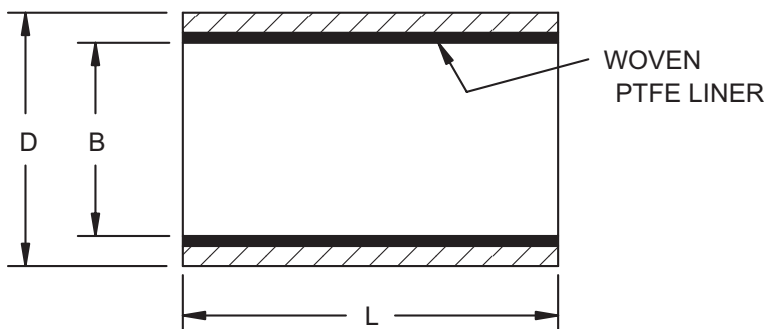
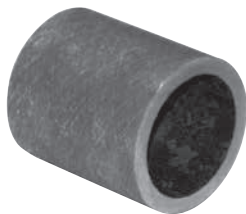
Sharp surface scratches



Smooth surface scratches

Surface roughness values do not define the character of the finish. Polished shafting (right) normally produces longer bearing life.

## Thinwall Straight Sleeve Bearing



### Product Features

The bearing consists of a self-lubricating woven Teflon fiber and polyester liner supported by a filament wound continuous fiberglass fiber and epoxy resin matrix.

### Bearing Dimensions

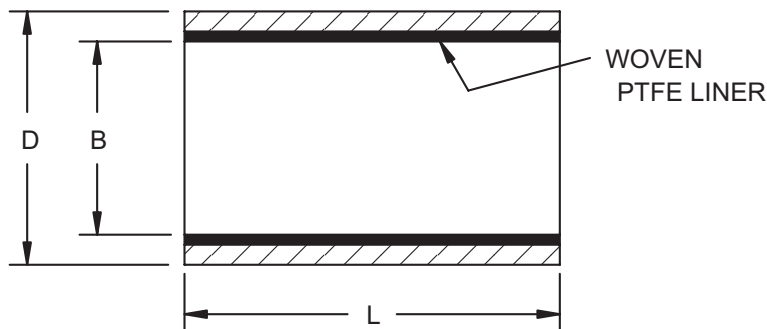
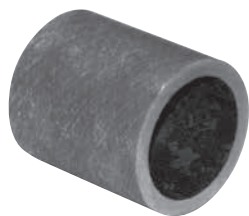
| Part Number   | Thinwall    |             |                    |               |                    | Model Number Suffix   |       |       |       |       |       |       |       |  |     |     | Maximum Length |        |
|---------------|-------------|-------------|--------------------|---------------|--------------------|---|-------|-------|-------|-------|-------|-------|-------|--|-----|-----|----------------|--------|
|               | B<br>±.0005 | D<br>±.0005 | Hsg Bore<br>±.0005 | Max Shaft Dia | Wt (Ref)<br>Lb/In. | L= Length Suffix in Multiples of 1/32" (Tolerance +.000/-0.020) |       |       |       |       |       |       |       |  |     |     |                |        |
|               | 0.250       | 0.375       | 0.500              | 0.625         | 0.750              | 0.875   | 1.000 | 1.125 | 1.250 | 1.375 | 1.500 | 1.750 | 2.000 |  |     |     |                |        |
| 701-00004-XXX | 0.2535      | 0.3762      | 0.3750             | 0.2500        | 0.0043             |   |       |       |       |       |       |       |       |  |     |     |                | 3.000  |
| 701-00006-XXX | 0.3785      | 0.5012      | 0.5000             | 0.3750        | 0.0060             | 008   |       |       |       |       |       | 040   | 044   |  |     |     |                | 6.000  |
| 701-00008-XXX | 0.5035      | 0.6262      | 0.6250             | 0.5000        | 0.0077             |   | 012   |       |       |       |       |       |       |  | 048 |     |                | 6.000  |
| 701-00010-XXX | 0.6285      | 0.7512      | 0.7500             | 0.6250        | 0.0094             |   |       | 016   |       |       |       |       |       |  |     | 056 | 064            | 10.000 |
| 701-00012-XXX | 0.7535      | 0.8762      | 0.8750             | 0.7500        | 0.0111             |   |       |       | 020   |       |       |       |       |  |     |     |                | 10.000 |
| 701-00014-XXX | 0.8785      | 1.0637      | 1.0625             | 0.8750        | 0.0199             |   |       |       |       | 024   |       |       |       |  |     |     |                | 10.000 |
| 701-00016-XXX | 1.0035      | 1.1887      | 1.1875             | 1.0000        | 0.0224             |   |       |       |       |       | 028   |       |       |  |     |     |                | 10.000 |
| 701-00018-XXX | 1.1285      | 1.3137      | 1.3125             | 1.1250        | 0.0250             |   |       |       |       |       |       | 032   |       |  |     |     |                | 10.000 |
| 701-00020-XXX | 1.2535      | 1.4387      | 1.4375             | 1.2500        | 0.0276             |   |       |       |       |       |       |       | 036   |  |     |     |                | 10.000 |
| 701-00022-XXX | 1.3785      | 1.5637      | 1.5625             | 1.3750        | 0.0301             |   |       |       |       |       |       |       |       |  |     |     |                | 10.000 |
| 701-00024-XXX | 1.5035      | 1.6887      | 1.6775             | 1.5000        | 0.0325             |   |       |       |       |       |       |       |       |  |     |     |                | 10.000 |
| 701-00026-XXX | 1.6285      | 1.8137      | 1.8125             | 1.6250        | 0.0352             | 008   |       |       |       |       |       | 040   | 044   |  |     |     |                | 10.000 |
| 701-00028-XXX | 1.7535      | 1.9387      | 1.9375             | 1.7500        | 0.0378             |   | 012   |       |       |       |       |       |       |  | 048 |     |                | 10.000 |
| 701-00030-XXX | 1.8785      | 2.0637      | 2.0625             | 1.8750        | 0.0404             |   |       | 016   |       |       |       |       |       |  |     | 056 | 064            | 10.000 |
| 701-00032-XXX | 2.0035      | 2.1887      | 2.1875             | 2.0000        | 0.0429             |   |       |       | 020   |       |       |       |       |  |     |     |                | 10.000 |
| 701-00034-XXX | 2.1285      | 2.3137      | 2.3125             | 2.1250        | 0.0455             |   |       |       |       | 024   |       |       |       |  |     |     |                | 10.000 |
| 701-00036-XXX | 2.2535      | 2.4387      | 2.4375             | 2.2500        | 0.0480             |   |       |       |       |       | 028   |       |       |  |     |     |                | 10.000 |
| 701-00040-XXX | 2.5035      | 2.6887      | 2.6875             | 2.5000        | 0.0532             |   |       |       |       |       |       | 032   |       |  |     |     |                | 10.000 |
| 701-00044-XXX | 2.7545      | 2.9487      | 2.9475             | 2.7500        | 0.0612             |   |       |       |       |       |       |       | 036   |  |     |     |                | 10.000 |

### Additional Notes

- Size:** Standard & Metric sizes - from .250" to 2.750" inside diameter
- Load:** Typical dynamic loads - 4,000 to 30,000 psi, Ultimate 77,000 psi
- Motion:** Oscillatory, pivot, linear sliding and slow speed full rotation
- Friction:** Coefficients vary from .16 @ 500 psi to .07 @ 20,000 psi
- Electrical:** Filament wound back-up material is an electrical insulator
- Chemical:** Resistant to most chemicals, see Appendix or consult Rexnord engineer
- Temperature:** -65°F to +325°F for Continuous, 400°F for Intermittent

For part number sizes shaded in gray please consult rexnord bearing engineering

## Thinwall Straight Sleeve Bearing (Inch)



### Product Features

The bearing consists of a self-lubricating woven Teflon fiber and polyester liner supported by a filament wound continuous fiberglass fiber and epoxy resin matrix.

### Bearing Dimensions

| Thinwall - Metric |             |             |                    |                  | Model Number Suffix   |       |       |       |       |       |       |       |       |       |
|-------------------|-------------|-------------|--------------------|------------------|---|-------|-------|-------|-------|-------|-------|-------|-------|-------|
| Part Number       | B<br>±.0005 | D<br>±.0005 | Hsg Bore<br>±.0003 | Max Shaft<br>Dia | L= Length Suffix in Multiples of 1mm (Tolerance +.000/-,.500) |       |       |       |       |       |       |       |       |       |
|                   |             |             |                    |                  | 0.250   | 0.375 | 0.500 | 0.625 | 0.750 | 0.875 | 1.000 | 1.125 | 1.250 | 1.375 |
| 7MM1-02006-XXX    | 0.2397      | 0.3163      | 0.3153             | 0.2358           | 010   | 020   | 030   | 040   | 050   | 060   | 070   | 080   | 090   | 100   |
| 7MM1-03006-XXX    | 0.2397      | 0.3556      | 0.3546             | 0.2358           |   |       |       |       |       |       |       |       |       |       |
| 7MM1-02008-XXX    | 0.3185      | 0.3950      | 0.3940             | 0.3144           |   |       |       |       |       |       |       |       |       |       |
| 7MM1-03008-XXX    | 0.3185      | 0.4344      | 0.4334             | 0.3144           |   |       |       |       |       |       |       |       |       |       |
| 7MM1-02010-XXX    | 0.3972      | 0.4738      | 0.4727             | 0.3932           |   |       |       |       |       |       |       |       |       |       |
| 7MM1-03010-XXX    | 0.3972      | 0.5132      | 0.5121             | 0.3932           |   |       |       |       |       |       |       |       |       |       |
| 7MM1-02012-XXX    | 0.4759      | 0.5526      | 0.5515             | 0.4718           |   |       |       |       |       |       |       |       |       |       |
| 7MM1-03012-XXX    | 0.4759      | 0.592       | 0.5909             | 0.4718           |   |       |       |       |       |       |       |       |       |       |
| 7MM1-02014-XXX    | 0.5547      | 0.6313      | 0.6302             | 0.5506           |   |       |       |       |       |       |       |       |       |       |
| 7MM1-03014-XXX    | 0.5547      | 0.7101      | 0.7090             | 0.5506           |   |       |       |       |       |       |       |       |       |       |
| 7MM1-02016-XXX    | 0.6334      | 0.7101      | 0.7090             | 0.6293           |   |       |       |       |       |       |       |       |       |       |
| 7MM1-03016-XXX    | 0.6334      | 0.7889      | 0.7878             | 0.6293           |   |       |       |       |       |       |       |       |       |       |
| 7MM1-02018-XXX    | 0.7122      | 0.7889      | 0.7878             | 0.7080           |   |       |       |       |       |       |       |       |       |       |
| 7MM1-03018-XXX    | 0.7122      | 0.8677      | 0.8665             | 0.7080           |   |       |       |       |       |       |       |       |       |       |
| 7MM1-02020-XXX    | 0.7909      | 0.9070      | 0.9059             | 0.7866           |   |       |       |       |       |       |       |       |       |       |
| 7MM1-03020-XXX    | 0.7909      | 0.9464      | 0.9453             | 0.7866           |   |       |       |       |       |       |       |       |       |       |
| 7MM1-02022-XXX    | 0.8696      | 0.9858      | 0.9846             | 0.8654           |   |       |       |       |       |       |       |       |       |       |
| 7MM1-03022-XXX    | 0.8696      | 1.0645      | 1.0634             | 0.8654           |   |       |       |       |       |       |       |       |       |       |
| 7MM1-02025-XXX    | 0.9877      | 1.1039      | 1.1028             | 0.9835           |   |       |       |       |       |       |       |       |       |       |
| 7MM1-03025-XXX    | 0.9877      | 1.1826      | 1.1815             | 0.9835           |   |       |       |       |       |       |       |       |       |       |
| 7MM1-02030-XXX    | 1.1846      | 1.3403      | 1.3391             | 1.1803           | 010   | 020   | 030   | 040   | 050   | 060   | 070   | 080   | 090   | 100   |
| 7MM1-03030-XXX    | 1.1846      | 1.3795      | 1.3784             | 1.1803           |   |       |       |       |       |       |       |       |       |       |
| 7MM1-02040-XXX    | 1.5783      | 1.7340      | 1.7328             | 1.5738           |   |       |       |       |       |       |       |       |       |       |
| 7MM1-03040-XXX    | 1.5783      | 1.8127      | 1.8115             | 1.5738           |   |       |       |       |       |       |       |       |       |       |
| 7MM1-02045-XXX    | 1.7751      | 1.9702      | 1.9690             | 1.7707           |   |       |       |       |       |       |       |       |       |       |
| 7MM1-03045-XXX    | 1.7751      | 2.0096      | 2.0084             | 1.7707           |   |       |       |       |       |       |       |       |       |       |
| 7MM1-02050-XXX    | 1.9720      | 2.1672      | 2.1659             | 1.9675           |   |       |       |       |       |       |       |       |       |       |
| 7MM1-03050-XXX    | 1.9720      | 2.2851      | 2.2839             | 1.9675           |   |       |       |       |       |       |       |       |       |       |

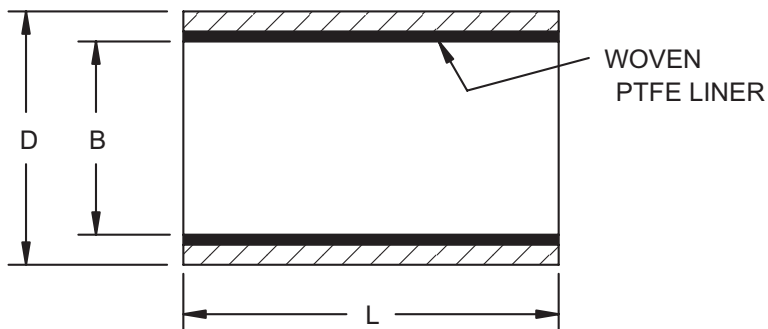
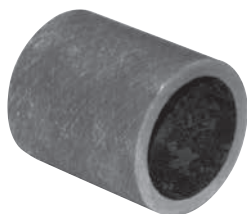
### Additional Notes

- Size:** Metric sizes - from 1/8" to 26" inside diameter
- Load:** Typical dynamic loads - 4,000 to 30,000 psi, Ultimate 77,000 psi
- Motion:** Oscillatory, pivot, linear sliding and slow speed full rotation
- Friction:** Coefficients vary from .16 @ 500 psi to .07 @ 20,000 psi
- Electrical:** Filament wound back-up material is an electrical insulator
- Chemical:** Resistant to most chemicals, see Appendix or consult Rexnord engineer
- Temperature:** -65°F to +325°F for Continuous, 400°F for Intermittent

For part number sizes shaded in gray please consult rexnord bearing engineering



## Thinwall Straight Sleeve Bearing (Metric)



### Product Features

The bearing consists of a self-lubricating woven Teflon fiber and polyester liner supported by a filament wound continuous fiberglass fiber and epoxy resin matrix.

### Bearing Dimensions

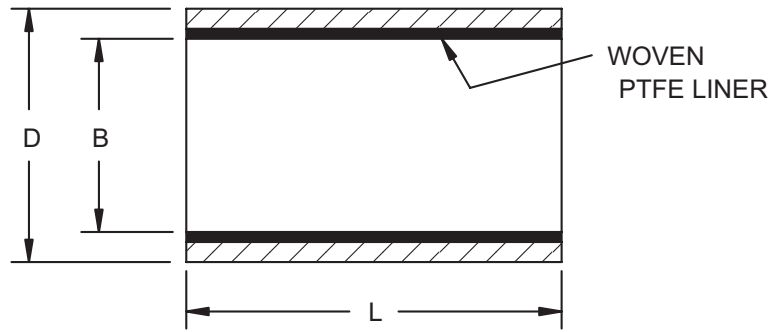
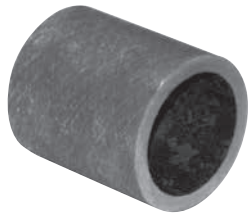
| Thinwall - Metric |         |           |        |           |              |               | Model Number Suffix   |     |     |     |     |     |     |    |    |     |     |     |     |
|-------------------|---------|-----------|--------|-----------|--------------|---------------|---|-----|-----|-----|-----|-----|-----|----|----|-----|-----|-----|-----|
| Part Number       | B       | Tolerance | D      | Tolerance | Max Hsg Bore | Max Shaft Dia | L= Length Suffix in Multiples of 1mm (Tolerance +.000/- .500) |     |     |     |     |     |     |    |    |     |     |     |     |
|                   |         |           |        |           |              |               | 10  | 20  | 30  | 40  | 50  | 60  | 70  | 80 | 90 | 100 |     |     |     |
| 7MM1-02006-XXX    | 6,0855  | ,0125     | 8,034  | ,013      | ,8000        | 5,978         |   |     |     |     |     |     |     |    |    |     | 080 | 090 | 100 |
| 7MM1-03006-XXX    | 6,0855  | ,0125     | 9,032  | ,012      | ,9000        | 5,978         |   |     |     |     |     |     |     |    |    |     |     |     |     |
| 7MM1-02008-XXX    | 8,0900  | ,0130     | 10,033 | ,013      | ,10000       | 7,972         |   |     |     |     |     |     |     |    |    |     |     |     |     |
| 7MM1-03008-XXX    | 8,0900  | ,0130     | 11,033 | ,012      | ,11000       | 7,972         |   |     |     |     |     |     |     |    |    |     |     |     |     |
| 7MM1-02010-XXX    | 10,0890 | ,0130     | 12,034 | ,012      | ,12000       | 9,972         |   |     |     |     |     |     |     |    |    |     |     |     |     |
| 7MM1-03010-XXX    | 10,0890 | ,0130     | 13,035 | ,012      | ,13000       | 9,972         |   |     |     |     |     |     |     |    |    |     |     |     |     |
| 7MM1-02012-XXX    | 12,0880 | ,0130     | 14,036 | ,013      | ,14000       | 11,966        |   |     |     |     |     |     |     |    |    |     |     |     |     |
| 7MM1-03012-XXX    | 12,0880 | ,0130     | 15,037 | ,013      | ,15000       | 11,966        |   |     |     |     |     |     |     |    |    |     |     |     |     |
| 7MM1-02014-XXX    | 14,0895 | ,0125     | 16,035 | ,013      | ,16000       | 13,966        |   |     |     |     |     |     |     |    |    |     |     |     |     |
| 7MM1-03014-XXX    | 14,0895 | ,0125     | 18,036 | ,012      | ,18000       | 15,966        |   |     |     |     |     |     |     |    |    |     |     |     |     |
| 7MM1-02016-XXX    | 16,0885 | ,0125     | 18,036 | ,012      | ,18000       | 15,966        | 010   |     |     |     |     |     |     |    |    |     |     |     |     |
| 7MM1-03016-XXX    | 16,0885 | ,0125     | 20,038 | ,013      | ,20000       | 15,966        |   | 020 |     |     |     |     |     |    |    |     |     |     |     |
| 7MM1-02018-XXX    | 18,0900 | ,0130     | 20,038 | ,013      | ,20000       | 17,966        |   |     |     |     |     |     |     |    |    |     |     |     |     |
| 7MM1-03018-XXX    | 18,0900 | ,0130     | 22,039 | ,012      | ,22000       | 17,966        |   |     |     |     |     |     |     |    |    |     |     |     |     |
| 7MM1-02020-XXX    | 20,0890 | ,0130     | 23,038 | ,013      | ,23000       | 19,959        |   |     | 030 | 040 | 050 | 060 | 070 |    |    | 080 | 090 | 100 |     |
| 7MM1-03020-XXX    | 20,0890 | ,0130     | 23,038 | ,012      | ,24000       | 19,959        |   |     |     |     |     |     |     |    |    |     |     |     |     |
| 7MM1-02022-XXX    | 22,0880 | ,0130     | 25,039 | ,012      | ,25000       | 21,959        |   |     |     |     |     |     |     |    |    |     |     |     |     |
| 7MM1-03022-XXX    | 22,0880 | ,0130     | 27,038 | ,012      | ,27000       | 21,959        |   |     |     |     |     |     |     |    |    |     |     |     |     |
| 7MM1-02025-XXX    | 25,0875 | ,0125     | 28,039 | ,013      | ,28000       | 24,959        |   |     |     |     |     |     |     |    |    |     |     |     |     |
| 7MM1-03025-XXX    | 25,0875 | ,0125     | 30,038 | ,013      | ,30000       | 24,959        |   |     |     |     |     |     |     |    |    |     |     |     |     |
| 7MM1-02030-XXX    | 30,0890 | ,0130     | 34,043 | ,013      | ,34000       | 29,959        |   |     |     |     |     |     |     |    |    |     |     |     |     |
| 7MM1-03030-XXX    | 30,0890 | ,0130     | 35,039 | ,012      | ,35000       | 29,959        |   |     |     |     |     |     |     |    |    |     |     |     |     |
| 7MM1-02040-XXX    | 40,0890 | ,0130     | 44,043 | ,013      | ,44000       | 39,950        |   |     |     |     |     |     |     |    |    |     |     |     |     |
| 7MM1-03040-XXX    | 40,0890 | ,0130     | 46,043 | ,012      | ,46000       | 39,950        |   |     |     |     |     |     |     |    |    |     |     |     |     |
| 7MM1-02045-XXX    | 45,0875 | ,0125     | 50,043 | ,013      | ,50000       | 44,950        | 010   |     |     |     |     |     |     |    |    |     |     |     |     |
| 7MM1-03045-XXX    | 45,0875 | ,0125     | 51,044 | ,013      | ,51000       | 44,950        |   |     |     |     |     |     |     |    |    |     |     |     |     |
| 7MM1-02050-XXX    | 50,0890 | ,0130     | 55,047 | ,013      | ,55000       | 49,950        |   | 020 |     |     |     |     |     |    |    |     |     |     |     |
| 7MM1-03050-XXX    | 50,0890 | ,0130     | 58,041 | ,012      | ,58000       | 49,950        |   |     |     |     |     |     |     |    |    |     |     |     |     |

### Additional Notes

- Size:** Metric sizes - from 4mm to 660mm
- Load:** Typical dynamic loads - 4,000 to 30,000 psi, Ultimate 77,000 psi
- Motion:** Oscillatory, pivot, linear sliding and slow speed full rotation
- Friction:** Coefficients vary from .16 @ 500 psi to .07 @ 20,000 psi
- Electrical:** Filament wound back-up material is an electrical insulator
- Chemical:** Resistant to most chemicals, see Appendix or consult Rexnord engineer
- Temperature:** -65°F to +325°F for Continuous, 400°F for Intermittent

For part number sizes shaded in gray please consult rexnord bearing engineering

## Heavywall Straight Sleeve Bearing



### Product Features

The bearing consists of a self-lubricating woven Teflon fiber and polyester liner supported by a filament wound continuous fiberglass fiber and epoxy resin matrix.

### Bearing Dimensions

| Heavywall     |         |           |         |           |              |           |               |                 | Model Number Suffix   |       |       |       |       |       |       |       |       |       |        |  |     |     |
|---------------|---------|-----------|---------|-----------|--------------|-----------|---------------|-----------------|---|-------|-------|-------|-------|-------|-------|-------|-------|-------|--------|--|-----|-----|
| Part Number   | B       | Tolerance | D       | Tolerance | Housing Bore | Tolerance | Max Shaft Dia | Wt (Ref) Lb/in. | L= Length Suffix in Multiples of 1/32" (Tolerance +.000/-0.020) |       |       |       |       |       |       |       |       |       |        |  |     |     |
|               |         |           |         |           |              |           |               |                 | 1.000   | 1.250 | 1.500 | 1.750 | 2.000 | 2.500 | 3.000 | 3.500 | 4.000 | 6.000 | 10.000 |  |     |     |
| 701-01028-XXX | 1.7590  |           | 2.2505  |           | 2.2470       |           | 1.7500        | 0.1086          |   |       |       |       |       |       |       |       |       |       |        |  |     |     |
| 701-01032-XXX | 2.0090  |           | 2.5005  |           | 2.4970       |           | 2.0000        | 0.1222          |   |       |       |       |       |       |       |       |       |       |        |  |     |     |
| 701-01036-XXX | 2.2590  | ±.0010    | 2.7505  |           | 2.7470       |           | 2.2500        | 0.1357          | 032   |       |       |       |       |       |       |       |       |       |        |  |     |     |
| 701-01040-XXX | 2.5090  |           | 3.0005  |           | 2.9970       |           | 2.5000        | 0.1493          |   | 040   |       |       |       |       |       |       |       |       |        |  |     |     |
| 701-01044-XXX | 2.7590  |           | 3.2505  |           | 3.2470       |           | 2.7500        | 0.1628          |   |       | 048   |       |       |       |       |       |       |       |        |  |     |     |
| 701-01048-XXX | 3.0097  |           | 3.5005  |           | 3.4970       |           | 3.0000        | 0.1762          |   |       |       | 056   |       |       |       |       |       |       |        |  |     |     |
| 701-01052-XXX | 3.2597  | +0.0013   | 3.7505  |           | 3.7470       |           | 3.2500        | 0.1898          |   |       |       |       | 064   |       |       |       |       |       |        |  |     |     |
| 701-01056-XXX | 3.5097  | -0.0012   | 4.0005  | ±.0005    | 3.9970       |           | 3.5000        | 0.2033          |   |       |       |       |       | 080   |       |       |       |       |        |  |     |     |
| 701-01060-XXX | 3.7597  |           | 4.2505  |           | 4.2470       |           | 3.7500        | 0.2169          |   |       |       |       |       |       | 096   |       |       |       |        |  |     |     |
| 701-01064-XXX | 4.0105  |           | 4.5005  |           | 4.4970       | ±.001     | 4.0000        | 0.2302          |   |       |       |       |       |       |       |       |       |       |        |  |     |     |
| 701-01068-XXX | 4.2605  |           | 4.7505  |           | 4.7470       |           | 4.2500        | 0.2437          |   |       |       |       |       |       |       |       |       |       |        |  |     |     |
| 701-01072-XXX | 4.5125  | ±.0015    | 5.0005  |           | 4.9970       |           | 4.5000        | 0.2562          |   |       |       |       |       |       |       |       |       |       |        |  |     |     |
| 701-01076-XXX | 4.7615  |           | 5.2505  |           | 5.2470       |           | 4.7500        | 0.2702          |   |       |       |       |       |       |       |       |       |       |        |  |     |     |
| 701-01080-XXX | 5.0112  |           | 5.5005  |           | 5.4970       |           | 5.0000        | 0.2840          |   |       |       |       |       |       |       |       |       |       |        |  |     |     |
| 701-01084-XXX | 5.2612  | +0.0018   | 5.7505  |           | 5.7470       |           | 5.2500        | 0.2975          |   |       |       |       |       |       |       |       |       |       |        |  |     |     |
| 701-01088-XXX | 5.5142  | .0017     | 6.0008  |           | 5.9960       |           | 5.5000        | 0.3095          |   |       |       |       |       |       |       |       |       |       |        |  |     |     |
| 701-01092-XXX | 5.7642  |           | 6.2508  |           | 6.2460       |           | 5.7500        | 0.3230          |   |       |       |       |       |       |       |       |       |       |        |  | 192 | 320 |
| 701-01096-XXX | 6.0140  |           | 6.5008  |           | 6.4960       |           | 6.0000        | 0.3367          | 032   |       |       |       |       |       |       |       |       |       |        |  |     |     |
| 701-01100-XXX | 6.6240  | ±.0020    | 6.7508  | +0.0007   | 6.7460       |           | 6.2500        | 0.3502          |   | 040   |       |       |       |       |       |       |       |       |        |  |     |     |
| 701-01104-XXX | 6.5140  |           | 7.0008  | -0.0008   | 6.9955       |           | 6.5000        | 0.3636          |   |       | 048   |       |       |       |       |       |       |       |        |  |     |     |
| 701-01108-XXX | 6.7640  |           | 7.2508  |           | 7.2455       |           | 6.7500        | 0.3771          |   |       |       | 056   |       |       |       |       |       |       |        |  |     |     |
| 701-01112-XXX | 7.0137  | +0.0023   | 7.5008  |           | 7.4955       |           | 7.0000        | 0.3910          |   |       |       |       | 064   |       |       |       |       |       |        |  |     |     |
| 701-01120-XXX | 7.5137  | -0.0022   | 8.0008  |           | 7.9955       |           | 7.5000        | 0.4179          |   |       |       |       |       | 080   |       |       |       |       |        |  |     |     |
| 701-01128-XXX | 8.0135  |           | 8.2508  |           | 8.4955       |           | 8.0000        | 0.4453          |   |       |       |       |       |       | 096   |       |       |       |        |  |     |     |
| 701-01136-XXX | 8.5135  |           | 9.0010  |           | 8.9955       |           | 8.5000        | 0.4727          |   |       |       |       |       |       |       |       |       |       |        |  |     |     |
| 701-01144-XXX | 9.0135  |           | 9.5010  |           | 9.4955       | ±.0015    | 9.0000        | 0.4997          |   |       |       |       |       |       |       |       |       |       |        |  |     |     |
| 701-01152-XXX | 9.5135  |           | 10.0010 |           | 9.9955       |           | 9.5000        | 0.5267          |   |       |       |       |       |       |       |       |       |       |        |  |     |     |
| 701-01160-XXX | 10.0135 | ±.0025    | 10.5010 |           | 10.4955      | ±.0010    | 10.0000       | 0.5537          |   |       |       |       |       |       |       |       |       |       |        |  |     |     |
| 701-01168-XXX | 10.5135 |           | 11.0010 |           | 10.9955      |           | 10.5000       |                 |   |       |       |       |       |       |       |       |       |       |        |  |     |     |
| 701-01176-XXX | 11.0135 |           | 11.5010 |           | 11.4955      |           | 11.0000       |                 |   |       |       |       |       |       |       |       |       |       |        |  |     |     |
| 701-01184-XXX | 11.5135 |           | 12.0010 |           | 11.9955      |           | 11.5000       |                 |   |       |       |       |       |       |       |       |       |       |        |  |     |     |
| 701-01192-XXX | 12.0135 |           | 12.5010 |           | 12.4955      |           | 12.0000       |                 |   |       |       |       |       |       |       |       |       |       |        |  |     |     |

### Additional Notes

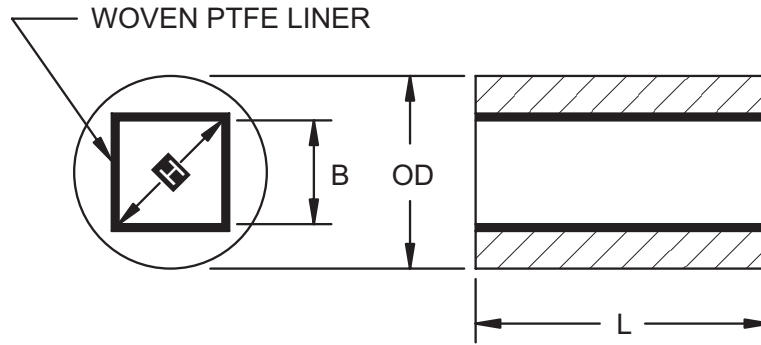
- Size:** Standard & Metric sizes - from 1.750" to 12.000" inside diameter
- Load:** Typical dynamic loads - 4,000 to 30,000 psi, Ultimate 77,000 psi
- Motion:** Oscillatory, pivot, linear sliding and slow speed full rotation
- Friction:** Coefficients vary from .16 @ 500 psi to .07 @ 20,000 psi
- Electrical:** Filament wound back-up material is an electrical insulator
- Chemical:** Resistant to most chemicals, see Appendix or consult Rexnord engineer
- Temperature:** -65°F to +325°F for Continuous, 400°F for Intermittent

For part number sizes shaded in gray please consult rexnord bearing engineering

## Square Bore Bearing



### Product Features



### Bearing Dimensions

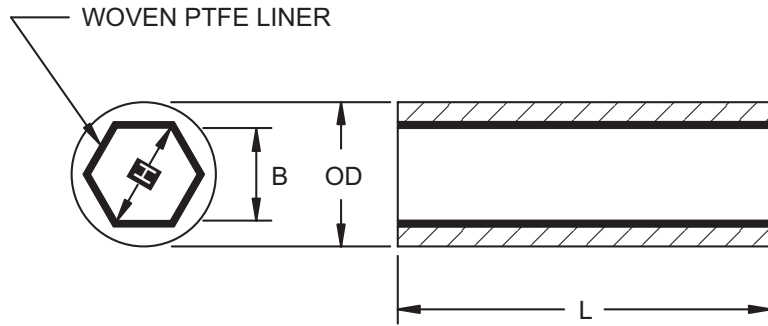
| Part Number   | Square Bore |             |          | Model Number Suffix   |       |       |       |       |       |       |       |       |       |       |       |       | Maximum Length |        |
|---------------|-------------|-------------|----------|---|-------|-------|-------|-------|-------|-------|-------|-------|-------|-------|-------|-------|----------------|--------|
|               | B<br>±.001  | D<br>±.0005 | H<br>Min | L= Length Suffix in Multiples of 1/32" (Tolerance +.000/-0.020) |       |       |       |       |       |       |       |       |       |       |       |       |                |        |
|               |             |             |          | 0.250   | 0.375 | 0.500 | 0.625 | 0.750 | 0.875 | 1.000 | 1.125 | 1.250 | 1.375 | 1.500 | 1.750 | 2.000 |                |        |
| 701-70004-XXX | 0.254       | 0.5012      | 0.313    |   |       |       |       |       |       |       |       |       |       |       |       |       |                | 3.000  |
| 701-70006-XXX | 0.379       | 0.7512      | 0.490    | 008   |       |       |       |       |       |       |       |       | 040   | 044   |       |       |                | 6.000  |
| 701-70008-XXX | 0.504       | 0.8762      | 0.667    |   | 012   |       |       |       |       |       |       |       |       |       | 048   |       |                | 6.000  |
| 701-70010-XXX | 0.629       | 1.0012      | 0.843    |   |       | 016   |       |       |       |       |       |       |       |       |       |       |                | 10.000 |
| 701-70012-XXX | 0.754       | 1.2512      | 1.020    |   |       |       | 020   |       |       |       |       |       |       |       |       |       |                | 10.000 |
| 701-70014-XXX | 0.879       | 1.5012      | 1.197    |   |       |       |       | 024   | 028   | 032   | 036   |       |       |       |       |       |                | 10.000 |
| 701-70016-XXX | 1.004       | 1.6262      | 1.374    | 008   |       |       |       |       |       |       |       |       | 040   | 044   |       |       |                | 10.000 |
| 701-70018-XXX | 1.129       | 1.8762      | 1.551    |   | 012   |       |       |       |       |       |       |       |       |       | 048   |       |                | 10.000 |
| 701-70020-XXX | 1.254       | 2.0012      | 1.727    |   |       | 016   |       |       |       |       |       |       |       |       |       | 056   | 064            | 10.000 |
| 701-70022-XXX | 1.379       | 2.2512      | 1.904    |   |       |       | 020   |       |       |       |       |       |       |       |       |       |                | 10.000 |
| 701-70024-XXX | 1.504       | 2.5012      | 2.081    |   |       |       |       |       |       |       |       |       |       |       |       |       |                | 10.000 |

### Additional Notes

- Size:** Standard sizes - from .250" to 1.500" inside diameter, larger sizes available
- Load:** Typical dynamic loads - 4,000 to 30,000 psi, Ultimate 77,000 psi
- Motion:** Linear sliding and/or torque transmission
- Friction:** Coefficients vary from .16 @ 500 psi to .07 @ 20,000 psi
- Electrical:** Filament wound back-up material is an electrical insulator
- Chemical:** Resistant to most chemicals, see Appendix or consult Rexnord engineer
- Temperature:** -65°F to +325°F for Continuous, 400°F for Intermittent

For part number sizes shaded in gray please consult rexord bearing engineering

## Hex Bore Bearing



### Product Features

The bearing consists of a self-lubricating woven Teflon fiber and polyester liner supported by a filament wound continuous fiberglass fiber and epoxy resin matrix.

### Bearing Dimensions

| Hex Bore      |       |           |               |           | Model Number Suffix   |       |       |       |       |       |       |       |       |       |       |       | Maximum Length |        |
|---------------|-------|-----------|---------------|-----------|---|-------|-------|-------|-------|-------|-------|-------|-------|-------|-------|-------|----------------|--------|
| Part Number   | B     | Tolerance | OD<br>± .0005 | H<br>Min. | L= Length Suffix in Multiples of 1/32" (Tolerance +.000/- .020) |       |       |       |       |       |       |       |       |       |       |       |                |        |
|               |       |           |               |           | 0.250   | 0.375 | 0.500 | 0.625 | 0.750 | 0.875 | 1.000 | 1.125 | 1.250 | 1.375 | 1.500 | 1.750 |                | 2.000  |
| 701-90004-XXX | 0.255 | ±.001     | 0.5012        | 0.248     | 008   | 012   | 016   | 020   | 024   | 028   | 032   | 036   | 040   | 044   | 048   | 056   | 064            | 3.000  |
| 701-90006-XXX | 0.380 |           | 0.6262        | 0.392     |   |       |       |       |       |       |       |       |       |       |       |       |                | 6.000  |
| 701-90008-XXX | 0.505 |           | 0.7512        | 0.537     |   |       |       |       |       |       |       |       |       |       |       |       |                | 6.000  |
| 701-90010-XXX | 0.630 |           | 0.8762        | 0.681     |   |       |       |       |       |       |       |       |       |       |       |       |                | 10.000 |
| 701-90012-XXX | 0.755 |           | 1.0012        | 0.825     |   |       |       |       |       |       |       |       |       |       |       |       |                | 10.000 |
| 701-90014-XXX | 0.880 | 1.2512    | 0.970         | 10.000    |   |       |       |       |       |       |       |       |       |       |       |       |                |        |
| 701-90016-XXX | 1.005 | 1.5004    | 1.114         | 10.000    |   |       |       |       |       |       |       |       |       |       |       |       |                |        |
| 701-90018-XXX | 1.130 | ±.002     | 1.6262        | 1.259     | 008   | 012   | 016   | 020   | 024   | 028   | 032   | 036   | 040   | 044   | 048   | 056   | 064            | 10.000 |
| 701-90020-XXX | 1.255 |           | 1.7512        | 1.403     |   |       |       |       |       |       |       |       |       |       |       |       |                | 10.000 |
| 701-90022-XXX | 1.380 |           | 1.8762        | 1.547     |   |       |       |       |       |       |       |       |       |       |       |       |                | 10.000 |
| 701-90024-XXX | 1.505 |           | 2.0012        | 1.692     |   |       |       |       |       |       |       |       |       |       |       |       |                | 10.000 |
|               |       |           |               |           |   |       |       |       |       |       |       |       |       |       |       |       |                |        |

### Additional Notes

- Size:** Standard sizes - from .250" to 1.500" inside diameter
- Load:** Typical dynamic loads - 4,000 to 30,000 psi, Ultimate 77,000 psi
- Motion:** Linear sliding and/or torque transmission
- Friction:** Coefficients vary from .16 @ 500 psi to .07 @ 20,000 psi
- Electrical:** Filament wound back-up material is an electrical insulator
- Chemical:** Resistant to most chemicals, see Appendix or consult Rexnord engineer
- Temperature:** -65°F to +325°F for Continuous, 400°F for Intermittent

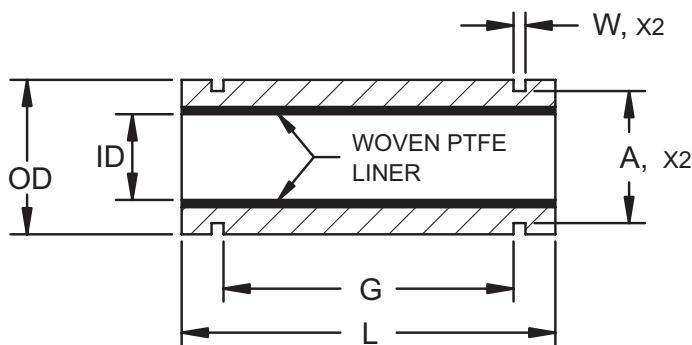
For part number sizes shaded in gray please consult rexnord bearing engineering

## Linear Composite Bearings



### Product Features

The bearing consists of a self-lubricating woven Teflon fiber and polyester liner supported by a filament wound continuous fiberglass fiber and epoxy resin matrix. Open Linear bearings for pedestal shaft mounts available.



### Bearing Dimensions

| Part Number   | I.D.   | Tolerance | OD<br>±.0005 | L<br>+.000<br>-.020 | G     | Tolerance | Snap Ring Groove |           |             |             | O.D to I.D.<br>Concentricity |
|---------------|--------|-----------|--------------|---------------------|-------|-----------|------------------|-----------|-------------|-------------|------------------------------|
|               |        |           |              |                     |       |           | W                | Tolerance | A           | Tolerance   |                              |
| 701-66004-024 | 0.2510 | ±.0005    | 0.5006       | 0.750               | 0.437 | ±.010     | 0.0405           | ±.0015    | 0.468       | ±.002       | .001<br>TIR                  |
| 701-66006-028 | 0.3760 |           | 0.6256       | 0.875               | 0.562 |           | 0.0405           |           | 0.588       | ±.003       |                              |
| 701-66008-040 | 0.5010 |           | 0.8756       | 1.250               | 0.875 |           | 0.0475           |           | 0.821       | ±.004       |                              |
| 701-66010-048 | 0.6260 |           | 1.1256       | 1.500               | 1.000 | 0.0580    | ±.0020           | 1.059     | ±.005       |             |                              |
| 701-66012-052 | 0.7510 |           | 1.2506       | 1.625               | 1.062 | 0.0580    |                  | 1.176     |             |             |                              |
| 701-66016-072 | 1.0010 |           | 1.5631       | 2.250               | 1.625 | ±.015     | 0.0700           | ±.0025    | 1.468       | ±.006       |                              |
| 701-66020-084 | 1.2510 |           | 2.0006       | 2.625               | 1.875 |           | 0.0700           |           | 1.886       |             |                              |
| 701-66024-096 | 1.5010 |           | 2.3756       | 3.000               | 2.250 |           | 0.0885           |           | 2.239       |             |                              |
| 701-66032-128 | 2.0010 |           | 3.0006       | 4.000               | 3.000 | ±.020     | 0.1055           | ±.0030    | 2.838       | .003<br>TIR |                              |
| 701-60040-160 | 2.5055 |           | 3.7506       | 5.000               | 3.750 |           | 0.1225           |           | 3.493       |             |                              |
| 701-60048-192 | 3.0060 | ±.0010    | 4.5006       | 6.000               | 4.500 | 0.1225    | 4.190            | ±.006     | .003<br>TIR |             |                              |
| 701-60064-256 | 4.0065 | ±.0015    | 6.0006       | 8.000               | 6.000 | 0.1420    | 5.745            | ±.0030    |             |             |                              |

### Additional Notes

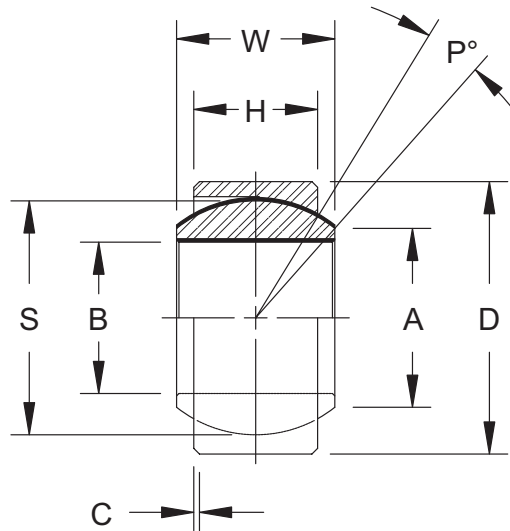
- Size:** Standard sizes - from .250" to 4.000" inside diameter
- Load:** Typical dynamic loads - 4,000 to 30,000 psi, Ultimate 77,000 psi
- Motion:** Oscillatory, pivot, linear sliding and slow speed full rotation
- Friction:** Coefficients vary from .16 @ 500 psi to .07 @ 20,000 psi
- Electrical:** Filament wound back-up material is an electrical insulator
- Chemical:** Resistant to most chemicals, see Appendix or consult Rexnord engineer
- Temperature:** -65°F to +325°F for Continuous, 400°F for Intermittent

## Split Metallic Outer Race Annular Bearings



### Product Features

The self-lubricating composite ball consists of a woven Teflon fiber and polyester fiber liner supported by a filament wound continuous fiberglass fiber and epoxy resin matrix. The split metallic outer race is carbon steel.



### Bearing Dimensions

| Part Number   | Part Number   | B Min  | Tolerance | D Max  | Tolerance       | W<br>+.000<br>-.005 | H<br>+.000<br>-.005 | A<br>(Ref) | C<br>+.010<br>-.010 | P<br>Deg.<br>Min | S<br>Ball<br>O.D. | Limit Load<br>Rating- Lbs. |         |
|---------------|---------------|--------|-----------|--------|-----------------|---------------------|---------------------|------------|---------------------|------------------|-------------------|----------------------------|---------|
| 831-08-14-01  | 838-08-14-01  | 0.5030 | +.001     | 0.8750 | +.000<br>-.0005 | 0.437               | 0.375               | 0.571      | 0.022               | 6                | 0.719             | 3,750                      |         |
| 831-12-20-01  | 838-12-20-01  | 0.7530 |           | 1.2500 |                 | 0.656               | 0.562               | 0.858      |                     |                  | 1.080             | 8,430                      |         |
| 831-14-23-01  | 838-14-23-01  | 0.8780 |           | 1.4375 |                 | 0.765               | 0.656               | 0.999      |                     |                  | 1.258             | 11,480                     |         |
| 831-16-26-01  | 838-16-26-01  | 1.0030 |           | 1.6250 |                 | 0.875               | 0.750               | 1.140      |                     |                  | 1.437             | 15,000                     |         |
| 831-20-32-01  | 838-20-32-01  | 1.2530 |           | 2.0000 | 1.093           | 0.937               | 1.424               | 1.795      |                     |                  | 23,425            |                            |         |
| 831-22-35-01  | 838-22-35-01  | 1.3780 |           | 2.1875 | 1.187           | 1.031               | 1.531               | 1.937      |                     |                  | 28,350            |                            |         |
| 831-24-39-01  | 838-24-39-01  | 1.5030 |           | 2.4375 | 1.312           | 1.125               | 1.710               | 2.155      |                     |                  | 33,750            |                            |         |
| 831-28-45-01  | 838-28-45-01  | 1.7530 |           | 2.8125 | 1.531           | 1.312               | 1.995               | 2.515      |                     |                  | 45,925            |                            |         |
| 831-32-51-01  | 838-32-51-01  | 2.0030 |           | 3.1875 | 1.750           | 1.500               | 2.281               | 2.875      |                     |                  | 60,000            |                            |         |
| 831-36-57-01  | 838-36-57-01  | 2.2530 |           | 3.5625 | 1.969           | 1.687               | 2.567               | 3.235      |                     |                  | 75,900            |                            |         |
| 831-40-63-01  | 838-40-63-01  | 2.5030 |           | 3.9375 | 2.187           | 1.875               | 2.847               | 3.590      |                     |                  | 93,750            |                            |         |
| 831-48-76-01  | 838-48-76-01  | 3.0030 |           | 4.7500 | 2.625           | 2.250               | 3.421               | 4.312      |                     |                  | 135,000           |                            |         |
| 831-64-100-01 | 838-64-100-01 | 4.0030 |           | +0.003 | 6.2500          | +0.010              | 3.500               | 3.000      |                     |                  | 4.562             | 5.750                      | 240,000 |
| 831-80-124-01 | 838-80-124-01 | 5.0020 |           | +0.005 | 7.7500          | +.0022              | 4.375               | 3.750      |                     |                  | 5.706             | 7.190                      | 375,000 |
| 831-96-140-01 | 838-96-140-01 | 6.0030 | +0.004    | 8.7500 | 4.750           |                     | 4.125               | 6.630      | 8.156               | 495,000          |                   |                            |         |

### Additional Notes

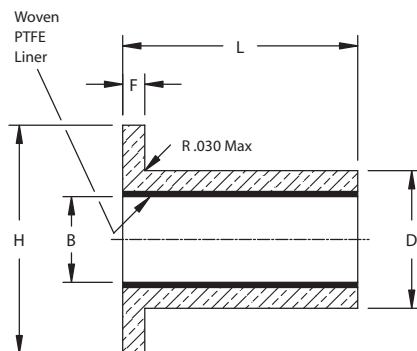
- Size:** Standard & Metric sizes - from .500" to 6.000" inside diameter
- Load:** Typical dynamic loads - 4,000 to 20,000 psi
- Motion:** Oscillatory, pivot, slow speed full rotation, for linear consult Rexnord engineer
- Friction:** Coefficients vary from .16 @ 500 psi to .07 @ 20,000 psi
- Electrical:** Filament wound back-up material of the ball is an electrical insulator
- Chemical:** Consult Rexnord engineer
- Temperature:** -65°F to +325°F for Continuous, 400°F for Intermittent

## Flange Bearings

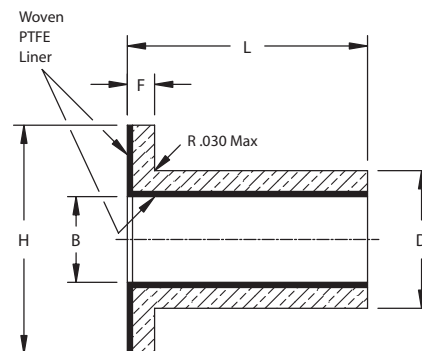


### Product Features

The bearing consists of a self-lubricating woven Teflon fiber and polyester liner supported by a filament wound continuous fiberglass fiber and epoxy resin matrix.



STYLE-702



STYLE-703

### Bearing Dimensions

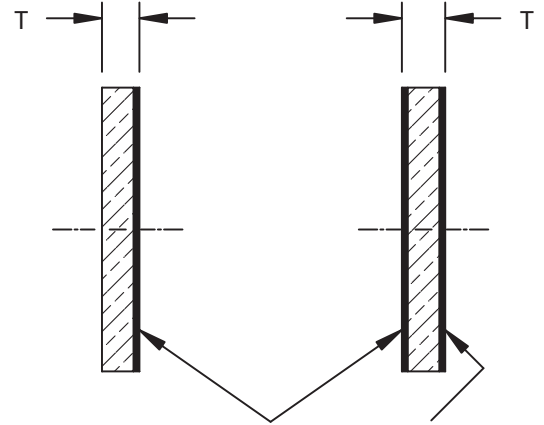
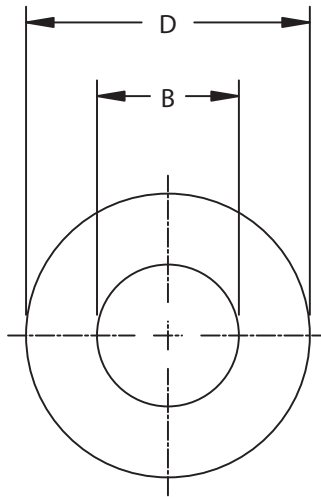
| Part Number   |               | B<br>± .0005 | D<br>± .0005 | F<br>± .005 | H<br>± .010 | Model Number Suffix   |       |       |       |       |       |       |       |       |       |       |       |       |     |
|---------------|---------------|--------------|--------------|-------------|-------------|---|-------|-------|-------|-------|-------|-------|-------|-------|-------|-------|-------|-------|-----|
| Unlined Face  | Lined Face    |              |              |             |             | L = Length Suffix in Multiples of 1/32" (Tolerance +.000 / -.020) |       |       |       |       |       |       |       |       |       |       |       |       |     |
|               |               |              |              |             |             | 0.250   | 0.375 | 0.500 | 0.625 | 0.750 | 0.875 | 1.000 | 1.125 | 1.250 | 1.375 | 1.500 | 1.750 | 2.000 |     |
| 702-00004-XXX | 703-00004-XXX | 0.2535       | 0.3762       | 0.094       | 0.625       | 008   |       |       |       |       |       |       |       |       | 040   | 044   |       |       |     |
| 702-00006-XXX | 703-00006-XXX | 0.3785       | 0.5012       | 0.125       | 0.750       |   | 012   |       |       |       |       |       |       |       |       |       | 048   | 056   | 064 |
| 702-00008-XXX | 703-00008-XXX | 0.5035       | 0.6262       | 0.125       | 0.875       |   |       |       |       |       |       |       |       |       |       |       |       |       |     |
| 702-00010-XXX | 703-00010-XXX | 0.6285       | 0.7512       | 0.125       | 1.000       |   |       |       |       |       |       |       |       |       |       |       |       |       |     |
| 702-00012-XXX | 703-00012-XXX | 0.7535       | 0.8762       | 0.125       | 1.125       |   |       |       |       |       |       |       |       |       |       |       |       |       |     |
| 702-00014-XXX | 703-00014-XXX | 0.8785       | 1.0637       | 0.125       | 1.312       |   |       |       |       |       |       |       |       |       |       |       |       |       |     |
| 702-00016-XXX | 703-00016-XXX | 1.0035       | 1.1887       | 0.156       | 1.438       |   |       |       |       |       |       |       |       |       |       |       |       |       |     |
| 702-00018-XXX | 703-00018-XXX | 1.1285       | 1.3137       | 0.156       | 1.562       |   |       |       |       |       |       |       |       |       |       |       |       |       |     |
| 702-00020-XXX | 703-00020-XXX | 1.2535       | 1.4387       | 0.156       | 1.688       |   |       |       |       |       |       |       |       |       |       |       |       |       |     |
| 702-00022-XXX | 703-00022-XXX | 1.3785       | 1.5637       | 0.156       | 1.812       |   |       |       |       |       |       |       |       |       |       |       |       |       |     |
| 702-00024-XXX | 703-00024-XXX | 1.5035       | 1.6887       | 0.156       | 1.938       | 008   |       |       |       |       |       |       |       | 040   | 044   |       |       |       |     |
| 702-00026-XXX | 703-00026-XXX | 1.6285       | 1.8137       | 0.156       | 2.062       |   | 012   |       |       |       |       |       |       |       |       |       | 048   | 056   | 064 |
| 702-00028-XXX | 703-00028-XXX | 1.7535       | 1.9387       | 0.188       | 2.188       |   |       |       |       |       |       |       |       |       |       |       |       |       |     |
| 702-00030-XXX | 703-00030-XXX | 1.8785       | 2.0637       | 0.188       | 2.312       |   |       |       |       |       |       |       |       |       |       |       |       |       |     |
| 702-00032-XXX | 703-00032-XXX | 2.0035       | 2.1887       | 0.188       | 2.438       |   |       |       |       |       |       |       |       |       |       |       |       |       |     |
| 702-00034-XXX | 703-00034-XXX | 2.1285       | 2.3137       | 0.188       | 2.562       |   |       |       |       |       |       |       |       |       |       |       |       |       |     |
| 702-00036-XXX | 703-00036-XXX | 2.2535       | 2.4387       | 0.188       | 2.688       |   |       |       |       |       |       |       |       |       |       |       |       |       |     |
| 702-00040-XXX | 703-00040-XXX | 2.5035       | 2.6887       | 0.188       | 2.938       |   |       |       |       |       |       |       |       |       |       |       |       |       |     |

### Additional Notes

- Size:** Standard sizes - from .250" to 2.500" inside diameter
- Load:** Typical dynamic loads - 4,000 to 30,000 psi, Ultimate 77,000 psi
- Motion:** Oscillatory, pivot, linear sliding and slow speed full rotation
- Friction:** Coefficients vary from .16 @ 500 psi to .07 @ 20,000 psi
- Electrical:** Filament wound back-up material is an electrical insulator
- Chemical:** Resistant to most chemicals, see Appendix or consult Rexnord engineer
- Temperature:** -65°F to +325°F for Continuous, 400°F for Intermittent - Style 702  
-65°F to +250°F for Continuous or Intermittent - Style 703

For part number sizes shaded in gray please consult rexord bearing engineering

## Thrust Washers



Woven PTFE Liner

### Product Features

The thrust washer is constructed by bonding woven Teflon® fiber fabric liner to one or both faces of a washer substrate. The substrate may be metallic, such as low carbon steel, stainless steel or aluminum. It may also be a non-metallic substrate such as NEMA grade G-10 or NEMA grade C. Standard washers are made with G-10 substrate.

### Bearing Dimensions

| Nominal Shaft Diameter | Part Number - 1/16" Thickness |                  | B<br>+ .020<br>- .000 | D<br>+ .000<br>- .020 | T<br>± .005 |
|------------------------|-------------------------------|------------------|-----------------------|-----------------------|-------------|
|                        | Lined One Face                | Lined Both Faces |                       |                       |             |
| 0.250                  | 707-00008-002                 | 707-20008-002    | 0.270                 | 0.500                 | 0.062       |
| 0.312                  | 707-00010-002                 | 707-20010-002    | 0.332                 | 0.625                 | 0.062       |
| 0.375                  | 707-00012-002                 | 707-20012-002    | 0.395                 | 0.750                 | 0.062       |
| 0.437                  | 707-00014-002                 | 707-20014-002    | 0.457                 | 0.875                 | 0.062       |
| 0.500                  | 707-00016-002                 | 707-20016-002    | 0.520                 | 1.000                 | 0.062       |
| 0.625                  | 707-00020-002                 | 707-20020-002    | 0.645                 | 1.250                 | 0.062       |
| 0.750                  | 707-00024-002                 | 707-20024-002    | 0.770                 | 1.500                 | 0.062       |
| 0.875                  | 707-00028-002                 | 707-20028-002    | 0.895                 | 1.750                 | 0.062       |
| 1.000                  | 707-00032-002                 | 707-20032-002    | 1.020                 | 2.000                 | 0.062       |
| 1.125                  | 707-00034-002                 | 707-20034-002    | 1.145                 | 2.125                 | 0.062       |
| 1.250                  | 707-00036-002                 | 707-20036-002    | 1.270                 | 2.250                 | 0.062       |
| 1.375                  | 707-00040-002                 | 707-20040-002    | 1.395                 | 2.500                 | 0.062       |
| 1.500                  | 707-00042-002                 | 707-20042-002    | 1.520                 | 2.625                 | 0.062       |
| 1.625                  | 707-00044-002                 | 707-20044-002    | 1.645                 | 2.750                 | 0.062       |
| 1.750                  | 707-00046-002                 | 707-20046-002    | 1.770                 | 2.875                 | 0.062       |
| 1.875                  | 707-00048-002                 | 707-20048-002    | 1.895                 | 3.000                 | 0.062       |
| 2.000                  | 707-00052-002                 | 707-20052-002    | 2.020                 | 3.250                 | 0.062       |

| Nominal Shaft Diameter | Part Number - 1/8" Thickness |                  | B<br>+ .020<br>- .000 | D<br>+ .000<br>- .020 | T<br>± .005 |
|------------------------|------------------------------|------------------|-----------------------|-----------------------|-------------|
|                        | Lined One Face               | Lined Both Faces |                       |                       |             |
| 0.250                  | 707-00008-004                | 707-20008-004    | 0.270                 | 0.500                 | 0.125       |
| 0.312                  | 707-00010-004                | 707-20010-004    | 0.332                 | 0.625                 | 0.125       |
| 0.375                  | 707-00012-004                | 707-20012-004    | 0.395                 | 0.750                 | 0.125       |
| 0.437                  | 707-00014-004                | 707-20014-004    | 0.457                 | 0.875                 | 0.125       |
| 0.500                  | 707-00016-004                | 707-20016-004    | 0.520                 | 1.000                 | 0.125       |
| 0.625                  | 707-00020-004                | 707-20020-004    | 0.645                 | 1.250                 | 0.125       |
| 0.750                  | 707-00024-004                | 707-20024-004    | 0.770                 | 1.500                 | 0.125       |
| 0.875                  | 707-00028-004                | 707-20028-004    | 0.895                 | 1.750                 | 0.125       |
| 1.000                  | 707-00032-004                | 707-20032-004    | 1.020                 | 2.000                 | 0.125       |
| 1.125                  | 707-00034-004                | 707-20034-004    | 1.145                 | 2.125                 | 0.125       |
| 1.250                  | 707-00036-004                | 707-20036-004    | 1.270                 | 2.250                 | 0.125       |
| 1.375                  | 707-00040-004                | 707-20040-004    | 1.395                 | 2.500                 | 0.125       |
| 1.500                  | 707-00042-004                | 707-20042-004    | 1.520                 | 2.625                 | 0.125       |
| 1.625                  | 707-00044-004                | 707-20044-004    | 1.645                 | 2.750                 | 0.125       |
| 1.750                  | 707-00046-004                | 707-20046-004    | 1.770                 | 2.875                 | 0.125       |
| 1.875                  | 707-00048-004                | 707-20048-004    | 1.895                 | 3.000                 | 0.125       |
| 2.000                  | 707-00052-004                | 707-20052-004    | 2.020                 | 3.250                 | 0.125       |

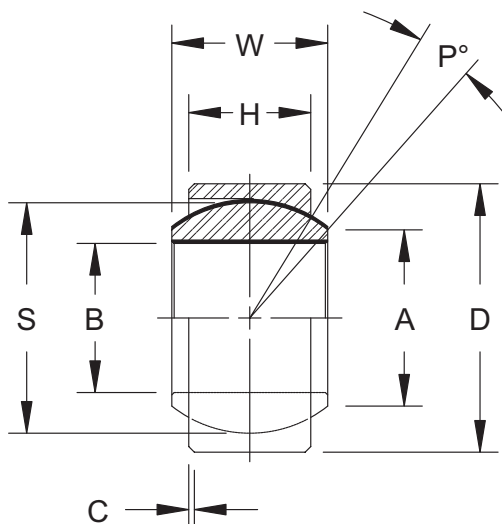
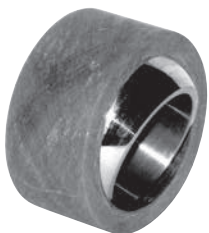
### Additional Notes

- Size:** Standard sizes - from .250" to 2.000" inside diameter
- Load:** Typical dynamic loads - 4,000 to 20,000 psi, Ultimate 60,000 psi
- Motion:** Oscillatory and slow speed full rotation
- Friction:** Coefficients vary from .16 @ 500 psi to .07 @ 20,000 psi
- Electrical:** G-10 substrate material is an electrical insulator
- Chemical:** Resistant to most chemicals, see Appendix or consult Rexnord engineer
- Temperature:** Cryogenic to +250°F

For part number sizes shaded in gray please consult rexnord bearing engineering



## Annular Bearings



## Product Features

The self-lubricating bearing element consist of a woven Teflon fiber and polyester fiber liner supported by a filament wound continuous fiberglass fiber and epoxy resin matrix. The mating element (wear surface) is metallic.

## Bearing Dimensions

| Part Number   | B<br>+.000<br>-.001 | D<br>+.001<br>-.000 | W<br>+.000<br>-.005 | H<br>+.000<br>-.005 | A<br>(Ref) | C<br>+.010<br>-.010 | P<br>Deg.<br>Max | S<br>Ball<br>O.D. | Limit Load<br>Rating- Lbs. |
|---------------|---------------------|---------------------|---------------------|---------------------|------------|---------------------|------------------|-------------------|----------------------------|
| 801-08-14-01  | 0.500               | 0.8750              | 0.437               | 0.375               | 0.571      | 0.015               | 6                | 0.719             | 5,400                      |
| 801-12-20-01  | 0.750               | 1.2500              | 0.656               | 0.562               | 0.858      |                     |                  | 1.080             | 12,140                     |
| 801-14-23-01  | 0.875               | 1.4375              | 0.765               | 0.656               | 0.999      |                     |                  | 1.258             | 16,500                     |
| 801-16-26-01  | 1.000               | 1.6250              | 0.875               | 0.750               | 1.140      |                     |                  | 1.437             | 21,560                     |
| 801-20-32-01  | 1.250               | 2.0000              | 1.093               | 0.937               | 1.424      |                     |                  | 1.795             | 33,640                     |
| 801-22-35-01  | 1.375               | 2.1875              | 1.187               | 1.031               | 1.531      |                     |                  | 1.937             | 40,000                     |
| 801-24-39-01  | 1.500               | 2.4375              | 1.312               | 1.125               | 1.710      |                     |                  | 2.155             | 48,480                     |
| 801-28-45-01  | 1.750               | 2.8125              | 1.531               | 1.312               | 1.995      |                     |                  | 2.515             | 66,000                     |
| 801-32-51-01  | 2.000               | 3.1875              | 1.750               | 1.500               | 2.281      |                     |                  | 2.875             | 86,250                     |
| 801-36-57-01  | 2.250               | 3.5625              | 1.969               | 1.687               | 2.567      |                     |                  | 3.235             | 109,150                    |
| 801-40-63-01  | 2.500               | 3.9375              | 2.187               | 1.875               | 2.847      |                     |                  | 3.590             | 134,620                    |
| 801-48-76-01  | 3.000               | 4.7500              | 2.625               | 2.250               | 3.421      |                     |                  | 4.312             | 194,040                    |
| 801-64-100-01 | 4.000               | 6.2500              | 3.500               | 3.000               | 4.562      |                     |                  | 5.750             | 345,000                    |
| 801-80-124-01 | 5.000               | 7.7500              | 4.375               | 3.750               | 5.706      |                     |                  | 7.190             | 539,250                    |
| 801-96-140-01 | 6.000               | 8.7500              | 4.750               | 4.125               | 6.630      |                     |                  | 8.156             | 672,870                    |

| Part Number   | B<br>+.000<br>-.001 | D<br>+.001<br>-.000 | W<br>+.000<br>-.005 | H<br>+.000<br>-.005 | A<br>(Ref) | C<br>+.010<br>-.010 | P<br>Deg.<br>Max | S<br>Ball<br>O.D. | Limit Load<br>Rating- Lbs. |
|---------------|---------------------|---------------------|---------------------|---------------------|------------|---------------------|------------------|-------------------|----------------------------|
| 821-04-10-01  | 0.2520              | 0.6562              | 0.3430              | 0.2500              | 0.4050     | 0.0200              | 12               | 0.5300            | 6,300                      |
| 821-05-12-01  | 0.3150              | 0.7500              | 0.3750              | 0.2810              | 0.4190     |                     | 11               | 0.5625            | 7,490                      |
| 821-06-13-01  | 0.3770              | 0.8125              | 0.4060              | 0.3120              | 0.4750     | 0.0250              | 10               | 0.6250            | 9,060                      |
| 821-07-14-01  | 0.4400              | 0.9062              | 0.4370              | 0.3430              | 0.5290     |                     | 9                | 0.6855            | 11,380                     |
| 821-08-16-01  | 0.5020              | 1.0000              | 0.5000              | 0.3900              | 0.6400     | 0.0300              | 10               | 0.8125            | 15,750                     |
| 821-09-18-01  | 0.5650              | 1.0937              | 0.5620              | 0.4370              | 0.6710     |                     | 10               | 0.8750            | 18,980                     |
| 821-10-19-01  | 0.6270              | 1.1875              | 0.6250              | 0.5000              | 0.7390     | 0.0300              | 9                | 0.9680            | 24,180                     |
| 821-12-23-01  | 0.7520              | 1.4375              | 0.7500              | 0.5930              | 0.9200     |                     |                  | 1.1870            | 36,170                     |
| 821-14-25-01  | 0.8770              | 1.5625              | 0.8750              | 0.7030              | 0.9780     |                     |                  | 1.3120            | 48,160                     |
| 821-16-28-01  | 1.0020              | 1.7500              | 1.0000              | 0.7970              | 1.1180     |                     |                  | 1.5000            | 63,100                     |
| 801-40-63-01  | 2.500               | 3.9375              | 2.187               | 1.875               | 2.847      | 0.015               | 6                | 3.590             | 134,620                    |
| 801-48-76-01  | 3.000               | 4.7500              | 2.625               | 2.250               | 3.421      |                     |                  | 4.312             | 194,040                    |
| 801-64-100-01 | 4.000               | 6.2500              | 3.500               | 3.000               | 4.562      |                     |                  | 5.750             | 345,000                    |
| 801-80-124-01 | 5.000               | 7.7500              | 4.375               | 3.750               | 5.706      |                     |                  | 7.190             | 539,250                    |
| 801-96-140-01 | 6.000               | 8.7500              | 4.750               | 4.125               | 6.630      |                     |                  | 8.156             | 672,870                    |

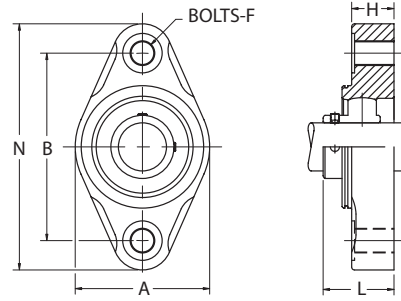
## Additional Notes

**Size:** Standard sizes - from .250" (821 Series) to 6.000" (801 Series) inside diameter  
**Load:** Typical dynamic loads - 4,000 to 20,000 psi  
**Motion:** Oscillatory, pivot, slow speed full rotation, for linear consult Rexnord engineer  
**Friction:** Coefficients vary from .16 @ 500 psi to .07 @ 20,000 psi  
**Electrical:** The composite component filament wound back-up material is an electrical insulator  
**Chemical:** Resistant to most chemicals, consult Rexnord engineer  
**Temperature:** -65°F to +325°F for Continuous, 400°F for Intermittent

(801) bearings are supplied with 17- 4 PH Stainless Steel Ball. Consult Rexnord Engineering for other available materials

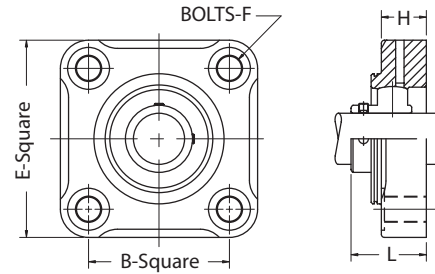
(821) Replaceable composite ball with metallic loader slot outer race

## 2-Bolt Flange Mounting



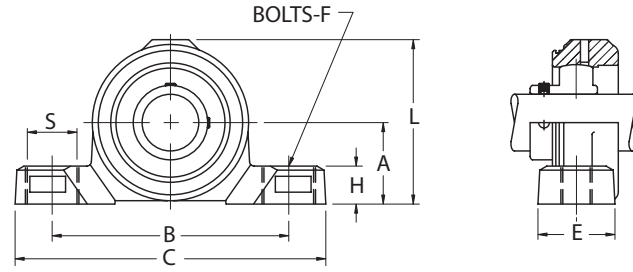
| Part Number   | Shaft Diameter | A       | B     | F Bolts | H      | L Shaft Protector Length | N       |
|---------------|----------------|---------|-------|---------|--------|--------------------------|---------|
| DKLFXM012SP   | 3/4            | 2 7/16  | 3.543 | 3/8     | 51/64  | 1.44                     | 4 9/16  |
| DKLFXM013SP   | 13/16          | 2 13/16 | 3.898 |         | 7/8    | 1.5                      | 5 1/8   |
| DKLFXM014SP   | 7/8            | 2 13/16 | 3.898 |         | 7/8    | 1.5                      | 5 1/8   |
| DKLFXM015SP   | 15/16          | 2 13/16 | 3.898 |         | 7/8    | 1.5                      | 5 1/8   |
| DKLFXM016SP   | 1              | 2 13/16 | 3.898 |         | 7/8    | 1.5                      | 5 1/8   |
| DKLFXM017SP   | 1 1/16         | 3 11/32 | 4.606 |         | 1 1/64 | 1.82                     | 5 53/64 |
| DKLFXM018SP   | 1 1/8          | 3 11/32 | 4.606 |         | 1 1/64 | 1.82                     | 5 53/64 |
| DKLFXM019SP   | 1 3/16         | 3 11/32 | 4.606 |         | 1 1/64 | 1.82                     | 5 53/64 |
| DKLKXM02E20SP | 1 1/4S         | 3 11/32 | 4.606 |         | 1 1/64 | 1.82                     | 5 53/64 |
| DKLFXM220SP   | 1 1/4          | 3 21/32 | 5.118 |         | 1 1/64 | 1.96                     | 6 3/8   |
| DKLFXM221SP   | 1 5/16         | 3 21/32 | 5.118 |         | 1 1/64 | 1.96                     | 6 3/8   |
| DKLFXM222SP   | 1 3/8          | 3 21/32 | 5.118 |         | 1 1/64 | 1.96                     | 6 3/8   |
| DKLFXM223SP   | 1 7/16         | 3 21/32 | 5.118 |         | 1 1/64 | 1.96                     | 6 3/8   |
| DKLFXM224SP   | 1 1/2          | 4 1/64  | 5.672 |         | 1 3/16 | 2.03                     | 6 59/64 |

## 4-Bolt Flange Mounting



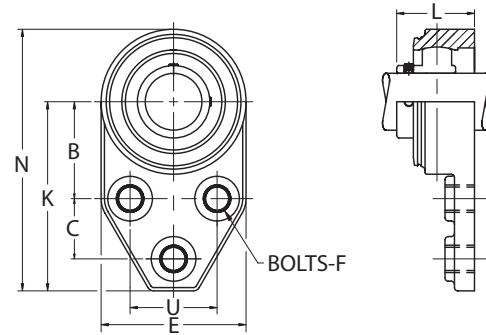
| Part Number   | Shaft Diameter | B     | E       | F Bolts | H      | L Shaft Protector Length |
|---------------|----------------|-------|---------|---------|--------|--------------------------|
| DKLFM013SP    | 13/16          | 2.756 | 3 55/64 | 3/8     | 7/8    | 1.5                      |
| DKLFM014SP    | 7/8            | 2.756 | 3 55/64 |         | 7/8    | 1.5                      |
| DKLFM015SP    | 15/16          | 2.756 | 3 55/64 |         | 7/8    | 1.5                      |
| DKLFM016SP    | 1              | 2.756 | 3 55/64 |         | 7/8    | 1.5                      |
| DKLFM017SP    | 1 1/16         | 3.268 | 4 21/64 |         | 1 1/64 | 1.82                     |
| DKLFM018SP    | 1 1/8          | 3.268 | 4 21/64 |         | 1 1/64 | 1.82                     |
| DKLFM019SP    | 1 3/16         | 3.268 | 4 21/64 |         | 1 1/64 | 1.82                     |
| DKLKXM02E20SP | 1 1/4S         | 3.268 | 4 21/64 |         | 1 1/64 | 1.82                     |
| DKLFM220SP    | 1 1/4          | 3.622 | 4 23/32 |         | 1 1/64 | 1.96                     |
| DKLFM221SP    | 1 5/16         | 3.622 | 4 23/32 |         | 1 1/64 | 1.96                     |
| DKLFM222SP    | 1 3/8          | 3.622 | 4 23/32 |         | 1 1/64 | 1.96                     |
| DKLFM223SP    | 1 7/16         | 3.622 | 4 23/32 |         | 1 1/64 | 1.96                     |
| DKLFM224SP    | 1 1/2          | 4.016 | 5 5/32  |         | 1 3/16 | 2.03                     |

## Pillow Block



| Part Number   | Shaft Diameter | A       | B       | C       | E       | F Bolts | H     | J       | L       | L Shaft Protector Length | S     |
|---------------|----------------|---------|---------|---------|---------|---------|-------|---------|---------|--------------------------|-------|
| DKLPM012SP    | 3/4            | 1 5/16  | 3 25/32 | 5 1/32  | 1 3/16  | 3/8     | 43/64 | 3/4     | 3 1/32  | 1.44                     | 7/8   |
| DKLPM013SP    | 13/16          | 1 7/16  | 4 11/16 | 5 31/64 | 1 23/64 |         | 43/64 | 13/16   | 3 11/32 | 1.5                      | 7/8   |
| DKLPM014SP    | 7/8            | 1 7/16  | 4 11/16 | 5 31/64 | 1 23/64 |         | 43/64 | 13/16   | 3 11/32 | 1.5                      | 7/8   |
| DKLPM015SP    | 15/16          | 1 7/16  | 4 11/16 | 5 31/64 | 1 23/64 |         | 43/64 | 13/16   | 3 11/32 | 1.5                      | 7/8   |
| DKLPM016SP    | 1              | 1 7/16  | 4 11/16 | 5 31/64 | 1 23/64 |         | 43/64 | 13/16   | 3 11/32 | 1.5                      | 7/8   |
| DKLPM017SP    | 1 1/16         | 1 11/16 | 4 49/64 | 6 27/64 | 1 27/64 |         | 25/32 | 61/64   | 3 55/64 | 1.82                     | 15/16 |
| DKLPM018SP    | 1 1/8          | 1 11/16 | 4 49/64 | 6 27/64 | 1 27/64 |         | 25/32 | 61/64   | 3 55/64 | 1.82                     | 15/16 |
| DKLPM019SP    | 1 3/16         | 1 11/16 | 4 49/64 | 6 27/64 | 1 27/64 |         | 25/32 | 61/64   | 3 55/64 | 1.82                     | 15/16 |
| DKLKXM02E20SP | 1 1/4S         | 1 11/16 | 4 49/64 | 6 27/64 | 1 27/64 |         | 25/32 | 61/64   | 3 55/64 | 1.82                     | 15/16 |
| DKLPM220SP    | 1 1/4          | 1 7/8   | 4 31/32 | 6 37/64 | 1 33/64 |         | 25/32 | 1 7/16  | 4 1/4   | 1.96                     | 15/16 |
| DKLPM221SP    | 1 5/16         | 1 7/8   | 4 31/32 | 6 37/64 | 1 33/64 |         | 25/32 | 1 7/16  | 4 1/4   | 1.96                     | 15/16 |
| DKLPM222SP    | 1 3/8          | 1 7/8   | 4 31/32 | 6 37/64 | 1 33/64 |         | 25/32 | 1 7/16  | 4 1/4   | 1.96                     | 15/16 |
| DKLPM223SP    | 1 7/16         | 1 7/8   | 4 31/32 | 6 37/64 | 1 33/64 |         | 25/32 | 1 7/16  | 4 1/4   | 1.96                     | 15/16 |
| DKLPM224SP    | 1 1/2          | 2       | 5 11/32 | 7 9/32  | 1 33/64 |         | 25/32 | 1 13/64 | 4 13/32 | 2.03                     | 15/16 |

## 3 Bolt Flange Bracket



| Part Number   | Shaft Diameter | B       | C     | D       | E       | F Bolts | K       | L Shaft Protector Length | N       | U     |
|---------------|----------------|---------|-------|---------|---------|---------|---------|--------------------------|---------|-------|
| DKLFBM013SP   | 13/16          | 1 13/16 | 1 1/8 | 1 11/64 | 2 23/32 | 3/8     | 3 17/32 | 1.5                      | 4 57/64 | 1 5/8 |
| DKLFBM014SP   | 7/8            | 1 13/16 | 1 1/8 | 1 11/64 | 2 23/32 |         | 3 17/32 | 1.5                      | 4 57/64 | 1 5/8 |
| DKLFBM015SP   | 15/16          | 1 13/16 | 1 1/8 | 1 11/64 | 2 23/32 |         | 3 17/32 | 1.5                      | 4 57/64 | 1 5/8 |
| DKLFBM016SP   | 1              | 1 13/16 | 1 1/8 | 1 11/64 | 2 23/32 |         | 3 17/32 | 1.5                      | 4 57/64 | 1 5/8 |
| DKLFBM017SP   | 1 1/16         | 2 1/16  | 1 1/4 | 1 11/32 | 3 13/64 |         | 3 55/64 | 1.82                     | 5 15/32 | 1 7/8 |
| DKLFBM018SP   | 1 1/8          | 2 1/16  | 1 1/4 | 1 11/32 | 3 13/64 |         | 3 55/64 | 1.82                     | 5 15/32 | 1 7/8 |
| DKLFBM019SP   | 1 3/16         | 2 1/16  | 1 1/4 | 1 11/32 | 3 13/64 |         | 3 55/64 | 1.82                     | 5 15/32 | 1 7/8 |
| DKLKXM02E20SP | 1 1/4S         | 2 1/16  | 1 1/4 | 1 11/32 | 3 13/64 |         | 3 55/64 | 1.82                     | 5 15/32 | 1 7/8 |
| DKLFBM220SP   | 1 1/4          | 2 3/8   | 1 1/4 | 1 9/16  | 3 11/16 | 7/16    | 4 15/64 | 1.96                     | 6 5/64  | 2     |
| DKLFBM221SP   | 1 5/16         | 2 3/8   | 1 1/4 | 1 9/16  | 3 11/16 |         | 4 15/64 | 1.96                     | 6 5/64  | 2     |
| DKLFBM222SP   | 1 3/8          | 2 3/8   | 1 1/4 | 1 9/16  | 3 11/16 |         | 4 15/64 | 1.96                     | 6 5/64  | 2     |
| DKLFBM223SP   | 1 7/16         | 2 3/8   | 1 1/4 | 1 9/16  | 3 11/16 |         | 4 15/64 | 1.96                     | 6 5/64  | 2     |





## Vibration Analysis and Defect Frequency Information

Vibration analysis equipment is used to chart the amplitude and frequency of vibration on key areas of a machine. The theory behind predictive maintenance programs is to predict failures in order to reduce downtime costs. This way parts can be ordered and replaced on scheduled downtime without interrupting production.

Note: Vibration analysis is only effective as a trend analysis tool. It must be part of a thoroughly planned program that establishes "norms" for each individual

piece of equipment. Significant variations from these norms may then point to a problem. The problems must then be sized accordingly; does something need to be replaced, does it just need to be greased or adjusted? The "norms" must be well established in order to recognize an abnormal condition.

The following tables show the Vibration Frequency Coefficients.

### Rexnord Roller Bearing Vibration Frequency Coefficients

| Size Code | Roller Diameter (in) | Number of Rollers/Row | Pitch Diameter (in) | Contact Angle (deg) | RDF Roller Defect | FTF Fundamental Train | RPM Inner Ring Defect | RPFO Outer Ring Defect |
|-----------|----------------------|-----------------------|---------------------|---------------------|-------------------|-----------------------|-----------------------|------------------------|
| 2         | 0.250                | 12                    | 1.75                | 18.00               | 0.1150            | 0.0072                | 0.1135                | 0.0865                 |
| 3         | 0.275                | 13                    | 1.99                | 17.50               | 0.1185            | 0.0072                | 0.1226                | 0.0940                 |
| 4         | 0.290                | 13                    | 2.18                | 16.25               | 0.1233            | 0.0073                | 0.1222                | 0.0945                 |
| 5         | 0.327                | 14                    | 2.57                | 16.63               | 0.1290            | 0.0073                | 0.1309                | 0.1024                 |
| 6         | 0.331                | 16                    | 2.82                | 15.17               | 0.1402            | 0.0074                | 0.1484                | 0.1182                 |
| 7         | 0.347                | 16                    | 3.15                | 15.00               | 0.1499            | 0.0074                | 0.1475                | 0.1192                 |
| 8         | 0.400                | 20                    | 3.50                | 15.00               | 0.1442            | 0.0074                | 0.1480                | 0.1186                 |
| 9         | 0.480                | 16                    | 4.11                | 15.00               | 0.1412            | 0.0074                | 0.1483                | 0.1183                 |
| 10        | 0.510                | 22                    | 4.76                | 14.50               | 0.1543            | 0.0075                | 0.1655                | 0.1345                 |
| 11        | 0.723                | 16                    | 5.62                | 14.25               | 0.1278            | 0.0073                | 0.1499                | 0.1167                 |
| 12        | 0.796                | 17                    | 6.15                | 12.50               | 0.1269            | 0.0073                | 0.1595                | 0.1238                 |
| 13        | 0.964                | 16                    | 7.13                | 13.50               | 0.1212            | 0.0072                | 0.1509                | 0.1158                 |
| 14        | 1.156                | 15                    | 8.27                | 13.50               | 0.1171            | 0.0072                | 0.1420                | 0.1080                 |
| 15        | 1.200                | 16                    | 8.88                | 12.50               | 0.1213            | 0.0072                | 0.1509                | 0.1158                 |
| 16        | 1.291                | 16                    | 9.82                | 12.25               | 0.1248            | 0.0073                | 0.1505                | 0.1162                 |

\* There are two rows per bearing

\* Table coefficient values multiplied by speed = hertz (cps) or HZ value X 60 = cycles per minute (cpm) frequency value

### Link-Belt Roller Bearing Vibration Frequency Coefficients

| Size Code | Roller Diameter (in) | Number of Rollers/Row | Pitch Diameter (in) | Contact Angle (deg) | RSF Roller Spin | FTF Fundamental Train | RPM Inner Ring Defect | RPFO Outer Ring Defect | RDF Roller Defect |
|-----------|----------------------|-----------------------|---------------------|---------------------|-----------------|-----------------------|-----------------------|------------------------|-------------------|
| B416      | 0.347                | 13                    | 1.753               | 18.83               | 0.0407          | 0.0068                | 0.1287                | 0.0880                 | 0.0812            |
| B420      | 0.378                | 13                    | 1.986               | 17.77               | 0.0368          | 0.0068                | 0.1280                | 0.0887                 | 0.0847            |
| B424      | 0.354                | 15                    | 2.172               | 16.32               | 0.0498          | 0.0070                | 0.1445                | 0.1055                 | 0.0998            |
| B524      |                      |                       |                     |                     |                 |                       |                       |                        |                   |
| B624      | 0.445                | 14                    | 2.558               | 16.63               | 0.0467          | 0.0070                | 0.1362                | 0.0972                 | 0.0932            |
| B428      |                      |                       |                     |                     |                 |                       |                       |                        |                   |
| B528      | 0.408                | 17                    | 2.794               | 14.98               | 0.0558          | 0.0072                | 0.1617                | 0.1217                 | 0.1118            |
| B432      |                      |                       |                     |                     |                 |                       |                       |                        |                   |
| B531      | 0.424                | 19                    | 3.134               | 15.00               | 0.0605          | 0.0072                | 0.1790                | 0.1377                 | 0.1212            |
| B631      |                      |                       |                     |                     |                 |                       |                       |                        |                   |
| B436      | 0.467                | 19                    | 3.457               | 14.05               | 0.0607          | 0.0072                | 0.1790                | 0.1377                 | 0.1213            |
| B536      |                      |                       |                     |                     |                 |                       |                       |                        |                   |
| B635      | 0.559                | 18                    | 4.034               | 14.12               | 0.0592          | 0.0072                | 0.1702                | 0.1298                 | 0.1182            |
| B440      |                      |                       |                     |                     |                 |                       |                       |                        |                   |
| B540      | 0.615                | 19                    | 4.709               | 14.30               | 0.0628          | 0.0073                | 0.1783                | 0.1383                 | 0.1255            |
| B639      |                      |                       |                     |                     |                 |                       |                       |                        |                   |
| B448      | 0.822                | 18                    | 5.517               | 13.47               | 0.0548          | 0.0073                | 0.1717                | 0.1283                 | 0.1095            |
| B548      |                      |                       |                     |                     |                 |                       |                       |                        |                   |
| B647      | 0.817                | 21                    | 5.998               | 14.05               | 0.0600          | 0.0073                | 0.1982                | 0.1518                 | 0.1202            |
| B456      |                      |                       |                     |                     |                 |                       |                       |                        |                   |
| B556      | 0.968                | 18                    | 6.372               | 13.78               | 0.0537          | 0.0073                | 0.1722                | 0.1278                 | 0.1073            |
| B655      |                      |                       |                     |                     |                 |                       |                       |                        |                   |
| B464      | 0.968                | 18                    | 6.372               | 13.78               | 0.0537          | 0.0073                | 0.1722                | 0.1278                 | 0.1073            |
| B564      |                      |                       |                     |                     |                 |                       |                       |                        |                   |
| B663      | 0.968                | 18                    | 6.372               | 13.78               | 0.0537          | 0.0073                | 0.1722                | 0.1278                 | 0.1073            |
| B572      |                      |                       |                     |                     |                 |                       |                       |                        |                   |
| B671      | 0.968                | 18                    | 6.372               | 13.78               | 0.0537          | 0.0073                | 0.1722                | 0.1278                 | 0.1073            |
| B580      |                      |                       |                     |                     |                 |                       |                       |                        |                   |
| B679      | 0.968                | 18                    | 6.372               | 13.78               | 0.0537          | 0.0073                | 0.1722                | 0.1278                 | 0.1073            |
| B580      |                      |                       |                     |                     |                 |                       |                       |                        |                   |
| B679      |                      |                       |                     |                     |                 |                       |                       |                        |                   |

\* There are two rows per bearing

\* Table coefficient values multiplied by speed = hertz (cps) or HZ value X 60 = cycles per minute (cpm) frequency value

## Link-Belt Heavy Duty Ball Bearing Vibration Frequency Coefficients

| Size Code | Ball Diameter (in) | Number of Balls | Pitch Diameter (in) | BSF Ball Spin | FTF Fundamental Train | BPFI Inner Ring Defect | BPFO Outer Ring Defect | BDF Ball Defect |
|-----------|--------------------|-----------------|---------------------|---------------|-----------------------|------------------------|------------------------|-----------------|
| 312       | 0.3750             | 7               | 1.4173              | 0.0293        | 0.0062                | 0.0738                 | 0.0428                 | 0.0585          |
| 316       | 0.4375             | 7               | 1.7126              | 0.0305        | 0.0062                | 0.0732                 | 0.0435                 | 0.0610          |
| 319       | 0.4874             | 8               | 2.0079              | 0.0325        | 0.0063                | 0.0827                 | 0.0507                 | 0.0650          |
| 323       | 0.5313             | 8               | 2.2638              | 0.0335        | 0.0063                | 0.0823                 | 0.0510                 | 0.0672          |
| 324       | 0.5938             | 8               | 2.5591              | 0.0340        | 0.0063                | 0.0822                 | 0.0512                 | 0.0680          |
| 328       | 0.6875             | 8               | 2.8543              | 0.0327        | 0.0063                | 0.0827                 | 0.0507                 | 0.0652          |
| 331       | 0.7500             | 8               | 3.1496              | 0.0330        | 0.0063                | 0.0825                 | 0.0508                 | 0.0660          |
| 335       | 0.8125             | 8               | 3.4440              | 0.0333        | 0.0063                | 0.0823                 | 0.0510                 | 0.0667          |
| 339       | 0.8750             | 8               | 3.7402              | 0.0337        | 0.0063                | 0.0823                 | 0.0510                 | 0.0673          |
| 344       | 1.0000             | 8               | 4.3307              | 0.0342        | 0.0063                | 0.0820                 | 0.0513                 | 0.0683          |
| 347       | 1.0625             | 8               | 4.6260              | 0.0343        | 0.0065                | 0.0820                 | 0.0513                 | 0.0687          |
| 351       | 1.1250             | 8               | 4.9213              | 0.0345        | 0.0065                | 0.0818                 | 0.0515                 | 0.0692          |
| 356       | 1.2500             | 8               | 5.5118              | 0.0348        | 0.0065                | 0.0818                 | 0.0515                 | 0.0697          |
| 363       | 1.4375             | 8               | 6.2008              | 0.0340        | 0.0065                | 0.0817                 | 0.0516                 | 0.0680          |

\* Table coefficient values multiplied by speed = hertz (cps) or HZ value X 60 = cycles per minute (cpm) frequency value

## Link-Belt 6800 &amp; 6600 Series Roller Bearing Vibration Frequency Coefficients

| Size Code | RSF Roller Spin | FTF Fundamental Train | RPFI Inner Ring Defect | RPFO Outer Ring Defect |
|-----------|-----------------|-----------------------|------------------------|------------------------|
| 22209     | 0.0497          | 0.0070                | 0.1640                 | 0.1188                 |
| 22210     | 0.0530          | 0.0071                | 0.1730                 | 0.1272                 |
| 22211     | 0.0553          | 0.0071                | 0.1810                 | 0.1352                 |
| 22213     | 0.0523          | 0.0071                | 0.1730                 | 0.1269                 |
| 22215     | 0.0591          | 0.0072                | 0.1890                 | 0.1438                 |
| 22216     | 0.0553          | 0.0071                | 0.1810                 | 0.1352                 |
| 22217     | 0.0523          | 0.0071                | 0.1730                 | 0.1269                 |
| 22218     | 0.0524          | 0.0071                | 0.1730                 | 0.1269                 |
| 22220     | 0.0522          | 0.0071                | 0.1730                 | 0.1269                 |
| 22222     | 0.0493          | 0.0069                | 0.1650                 | 0.1186                 |
| 22224     | 0.0522          | 0.0071                | 0.1730                 | 0.1269                 |
| 22226     | 0.0524          | 0.0071                | 0.1730                 | 0.1270                 |
| 22228     | 0.0523          | 0.0071                | 0.1730                 | 0.1269                 |
| 22230     | 0.0522          | 0.0071                | 0.1730                 | 0.1269                 |
| 22232     | 0.0523          | 0.0071                | 0.1730                 | 0.1269                 |
| 22234     | 0.0492          | 0.0070                | 0.1650                 | 0.1186                 |
| 22236     | 0.0523          | 0.0071                | 0.1730                 | 0.1269                 |
| 22238     | 0.0573          | 0.0072                | 0.1900                 | 0.1433                 |
| 22240     | 0.0557          | 0.0071                | 0.1811                 | 0.1356                 |
| 22244     | 0.0540          | 0.0071                | 0.1818                 | 0.1349                 |
| 23048     | 0.0857          | 0.0075                | 0.2645                 | 0.2187                 |
| 23056     | 0.0826          | 0.0075                | 0.2563                 | 0.2103                 |

\* There are two rows per bearing

\* Table coefficient values multiplied by speed = hertz (cps) or HZ value X 60 = cycles per minute (cpm) frequency value

## Link-Belt &amp; MB Ball Bearing Vibration Frequency Coefficients

| Size Code | Ball Diameter (in) | Number of Balls | Pitch Diameter (in) | BSF Ball Spin | FTF Fundamental Train | BPFI Inner Ring Defect | BPFO Outer Ring Defect | BDF Ball Defect |
|-----------|--------------------|-----------------|---------------------|---------------|-----------------------|------------------------|------------------------|-----------------|
| 203       | 0.2969             | 7               | 1.1220              | 0.0293        | 0.0062                | 0.0738                 | 0.0428                 | 0.0585          |
| 204       | 0.3125             | 8               | 1.3189              | 0.0332        | 0.0063                | 0.0825                 | 0.0508                 | 0.0633          |
| 205       | 0.3125             | 9               | 1.5157              | 0.0387        | 0.0067                | 0.0905                 | 0.0595                 | 0.0775          |
| 206       | 0.3750             | 9               | 1.8110              | 0.0385        | 0.0067                | 0.0905                 | 0.0595                 | 0.0770          |
| 207       | 0.4375             | 9               | 2.1063              | 0.0383        | 0.0067                | 0.0905                 | 0.0595                 | 0.0768          |
| 208       | 0.4688             | 9               | 2.3622              | 0.0367        | 0.0065                | 0.0912                 | 0.0588                 | 0.0733          |
| 209       | 0.5000             | 9               | 2.5590              | 0.0377        | 0.0065                | 0.0908                 | 0.0592                 | 0.0752          |
| 210       | 0.5000             | 10              | 2.7559              | 0.0445        | 0.0068                | 0.0985                 | 0.0682                 | 0.0888          |
| 211       | 0.5625             | 10              | 3.0512              | 0.0437        | 0.0068                | 0.0987                 | 0.0680                 | 0.0873          |
| 212       | 0.6250             | 10              | 3.3464              | 0.0430        | 0.0068                | 0.0988                 | 0.0678                 | 0.0862          |
| 214       | 0.6563             | 10              | 3.6417              | 0.0447        | 0.0068                | 0.0983                 | 0.0683                 | 0.0895          |
| 215       | 0.6875             | 11              | 4.0354              | 0.0475        | 0.0068                | 0.1073                 | 0.0760                 | 0.0950          |
| 216       | 0.7813             | 11              | 4.6260              | 0.0470        | 0.0069                | 0.1074                 | 0.0759                 | 0.0941          |
| 217       | 0.7813             | 11              | 4.6260              | 0.0480        | 0.0070                | 0.1072                 | 0.0762                 | 0.0958          |
| 218       | 1.0000             | 10              | 5.5118              | 0.0454        | 0.0069                | 0.0981                 | 0.0685                 | 0.0908          |
| 220       | 1.0000             | 10              | 5.5118              | 0.0445        | 0.0068                | 0.0985                 | 0.0682                 | 0.0888          |

\* Table coefficient values multiplied by speed = hertz (cps) or HZ value X 60 = cycles per minute (cpm) frequency value

## Shaft Size Tolerance

A snug fit-up between shaft and bearing inner race is required for proper bearing performance. In fact, a press fit is necessary to obtain full basic dynamic capacity. As application conditions and requirements vary, fit-up and mounting requirements change as well.

A slip fit mounting in accordance with the shaft tolerances shown in the tables below will provide generally acceptable service life on normal applications under light to moderate load and speed conditions. A shaft tolerance resulting in looser fits (such as commercial grade shafting) may be expected to have greatly reduced reliability and increasing problems of shaft fret wear, bearing inner ring fracture and shaft slippage. In general, looser fits than recommended are feasible only for very light loading and lower speeds.

Shafting should be designed for adequate strength and stiffness for the intended application. It should be round, straight, free of nicks and burrs and of correct size.

If a special tolerance shaft is to be used, consideration should be given to the use of a precision tolerance bearing, particularly in the case of severe loading or high speed applications to obtain optimum bearing performance.

The tables below lists shaft size tolerance information for various types of mounting and application conditions.

### Recommended Roller Bearing Shaft Tolerance Table

| Shaft Diameter | Recommended Shaft Tolerances |                   |
|----------------|------------------------------|-------------------|
|                | Setscrew Mounted             | Adapter Mounted   |
| thru 2"        | + .0000" to -.0005"          | + .000" to -.003" |
| 2 1/16" to 4"  | + .0000" to -.0010"          | + .000" to -.004" |
| 4 1/16" to 6"  | + .0000" to -.0015"          | + .000" to -.005" |
| 6 1/16" to 13" | + .0000" to -.0015"          | + .000" to -.006" |
| 17mm to 50mm   | + .000mm to -.013mm          | + .00mm to -.07mm |
| 55mm to 100mm  | + .000mm to -.025mm          | + .00mm to -.10mm |
| 105mm to 150mm | + .000mm to -.038mm          | + .00mm to -.13mm |
| 155mm to 330mm | -                            | + .00mm to -.15mm |

### Recommended Ball Bearing Shaft Tolerance Table

| Shaft Diameter | Recommended Shaft Tolerances |                   |
|----------------|------------------------------|-------------------|
|                | Setscrew Mounted             | Adapter Mounted   |
| thru 2"        | + .0000" to -.0005"          | + .000" to -.003" |
| 2 1/16" to 4"  | + .0000" to -.0010"          | + .000" to -.004" |
| 17mm to 50mm   | + .000mm to -.013mm          | -                 |
| 55mm to 100mm  | + .000mm to -.025mm          | -                 |

### Recommended Sleeve Bearing Shaft Tolerance Table

| Shaft Diameter | Recommended Shaft Tolerances |
|----------------|------------------------------|
| thru 2"        | + .000" to -.003"            |
| 2 1/16" to 4"  | + .000" to -.004"            |
| 4 1/16" to 6"  | + .000" to -.005"            |
| 6 1/16" to 13" | + .000" to -.006"            |



## Recommended Setscrew Torque Values

Proper tightening torque can be found in the below tables. Achieving these values will distort the set collars and spring load the setscrews to prevent their loosening during operation. If an Allen wrench is used as the torque wrench, place length of pipe over long end and pull until wrench begins to twist.

The axial load capacities listed in the below tables are for knurled cup setscrews having 90° spacing, tightened to recommended torque range on a shaft seat not harder than 35 Rockwell C. The axial load values may be used in design, as a safety factor has been applied.

The setscrew torque values and allowable axial loads are applicable to Rexnord Bearing products only. These values can not be applied to bearings manufactured by other vendors having different setscrew spacing, different type of setscrews and/or different size setscrews.

### Rexnord Roller Bearing Seating Torque

| Setscrew Size (in) | 2000      | 3000      | 5000      | Setscrew Torque Range (in-lb) | Axial Load Capacity 2000 & 3000 (lb) | Axial Load Capacity 5000 (lb) |
|--------------------|-----------|-----------|-----------|-------------------------------|--------------------------------------|-------------------------------|
| 5/16               | 2012-2104 | 3107      |           | 125                           | 500                                  |                               |
| 3/8                | 2107-2200 | 3111-3115 | 5107-5115 | 225                           | 650                                  | 1300                          |
| 7/16               | 2203-2204 | 3203-3315 | 5200-5203 | 325                           | 825                                  | 1650                          |
| 1/2                | 2206-2308 | 3207-3308 | 5207-5307 | 680                           | 990                                  | 1980                          |
| 5/8                | 2311-2400 | 3315      | 5311-5507 | 1350                          | 1320                                 | 2640                          |
| 3/4                |           |           | 5515-5700 | 1600                          | 1650                                 | 3300                          |

### Link-Belt Roller Bearing Seating Torque

| Setscrew Size (in) | B22400     | B22500     | Setscrew Torque Range (in-lb) | Axial Load Capacity B22400 (lb) | Axial Load Capacity B22500 (lb) |
|--------------------|------------|------------|-------------------------------|---------------------------------|---------------------------------|
| 5/16               | B22412-420 |            | 185                           | 500                             |                                 |
| 3/8                | B22423-432 | B22523-531 | 325                           | 650                             | 1300                            |
| 7/16               | B22435-436 | B22532-535 | 460                           | 825                             | 1650                            |
| 1/2                | B22439-456 | B22536-556 | 680                           | 990                             | 1980                            |
| 5/8                | B22459-464 | B22559-580 | 1350                          | 1320                            | 2640                            |

### Link-Belt Ball Bearing Seating Torque

| Setscrew Size (in) | C200     | Y200/W200 | U200     | S200    | U300    | Setscrew Torque Range (in-lb) | Axial Load Capacity (lb) |
|--------------------|----------|-----------|----------|---------|---------|-------------------------------|--------------------------|
| #8                 |          |           | 2B08-211 |         |         | 20-23                         | 125                      |
| #10                | 2B08-210 |           | 212-216  | 212-216 | 312     | 33-40                         | 175                      |
| 1/4                | 212-2E20 | 2B08-216  | 218-2E20 | 217-223 | 314-316 | 87-92                         | 330                      |
| 5/16               | 220-228  | 217-2E20  | 220-2E32 | 224-231 | 318-324 | 165-185                       | 500                      |
| 3/8                | 231-239  | 220-2E32  | 232-239  |         | 326-331 | 290-325                       | 650                      |
| 7/16               |          | 232-239   | 240-243  |         | 332-339 | 430-460                       | 825                      |
| 1/2                |          |           | 244-2E56 |         | 343-347 | 620-680                       | 990                      |
| 5/8                |          |           | 263-264  |         | 348-356 | 1225-1350                     | 1320                     |
| 3/4                |          |           |          |         | 363     | 2125-2350                     | 1650                     |

### MB Ball Bearing Seating Torque

| Setscrew Size (in) | Shaft Size (in)<br>KMB45/KMB25 | KMB55/KMB35        | MB25               | MB35               | Setscrew Torque Range (in-lb) | Axial Load Capacity (lb) |
|--------------------|--------------------------------|--------------------|--------------------|--------------------|-------------------------------|--------------------------|
| #10                | 1/2" to 1 1/16"                |                    | 1/2" to 1 1/16"    |                    | 33-40                         | 175                      |
| 1/4                | 3/4" to 1 1/4"                 | 1"                 | 3/4" to 1"         |                    | 87-92                         | 330                      |
| 5/16               | 1 1/4" to 1 3/4"               | 1 3/16" to 1 1/2"  | 1 1/8" to 1 3/4"   | 1" to 1 1/2"       | 165-185                       | 500                      |
| 3/8                | 1 7/8" to 2 15/16"             | 1 11/16" to 3 1/2" | 1 7/8" to 2 15/16" | 1 11/16" to 3 1/2" | 290-325                       | 650                      |

## Introduction to Load Ratings

The values shown in the Radial Load Rating Tables are used to select the most economical bearing capable of sustaining the required speed and load for the desired life. Do not depend entirely on the rated capacity to judge how well the complete mounted unit will perform. Environmental and maintenance conditions can detract from this performance. The realistic approach to mounted bearing application is to consider "theoretical" rated capacity of the base bearing plus the housing design, seals, method of securing to shaft, lubrication, etc., as they effect the desired life expectancy and the economics of overall equipment design.

### Basis of Load Ratings

The Anti-Friction Bearing Manufacturer's Association (AFBMA), recommends the use of a standard formula for determining the basic rating of anti-friction bearings. The use of the formula determines the rating for any given bearing and is based upon failure from surface contact fatigue of the roller or race material.

The AFBMA Basic Load Rating definition may be thought of as having two basic principles involved; one being of a physical nature relating to a load carrying ability (Basic Load Rating) and the other taking into consideration failure level or probability of bearing survival (Rating Life).

The definitions of these principles are:

1. The "Basic Load Rating" of a bearing is that consistent stationary equivalent radial load which a group of apparently identical roller bearings with stationary outer ring can endure for one million revolutions of the inner ring.
2. The "Rating Life" of a group of apparently identical bearings is defined as "the number of revolutions that 90% of a group of bearings will complete or exceed before first evidence of fatigue develops." This is often referred to as L<sub>10</sub> or B-10 Life.

### C Rating

The common industry term "C" Rating inter-relates these two rating conditions. The "C" Rating is defined as "the equivalent radial load which may be imposed on the bearings to give an L<sub>10</sub> (B-10) life of one million revolutions" (500 hours at 33 1/3 rpm). The "C" Rating is calculated from an empirical formula based on size and geometry. The empirical relationship is based on assumptions in several important areas; i.e., press fit mounting to shaft, adequate mineral oil lubrication, no misalignment, uniform loading, moderate speed and temperature, absolute cleanliness, etc. While it would appear logical that all bearings of identical geometry, dimensions and material should produce identical results under identical conditions, in reality, due to variations within specified tolerances of material and manufacturing, failures will occur at random periods of life. Ideally these failures should still result from metal fatigue rather than physical wear of the components. The "C" Rating can be expanded into combinations of load and speed to life hours by utilizing specified load-life relationships. These may then be referred to as the capacity ratings for any speed and life hours with the implied "L<sub>10</sub>" survival probability consideration. This load rating for a given life condition is often termed Capacity Rating Or Rated Capacity and are shown in the Load Rating Tables in the front of each section.

### Co Rating

The Basic Static Capacity (Co) is that amount of radial or equivalent radial load that can be imposed on a non-rotating bearing without producing excessive brinelling. This rating applies to the performance of the internal parts of the roller bearing. For the vast majority of applications, a bearing can be run normally after sustaining a static load of Co. First fracture of primary race components does not occur until well above the Co Rating. Co does not necessarily represent static strength of the housing or structure in which the bearing is mounted.

### Conditions Affecting Rated Life

When the bearings are mounted in commercial housings and offered as a "package" to the user it should then be understood that the values shown in the catalog Load Rating Tables apply only to the base bearing under laboratory conditions. Common application factors which have an adverse effect on rated life are:

- 1 - Improper mounting (alignments, fit up to shaft)
- 2 - Contamination by abrasive or corrosive material
- 3 - Non-uniform load or vibration
- 4 - Inadequate or improper lubrication
- 5 - Excessive temperature or temperature change
- 6 - Excessive speed

The base bearing when mounted in a commercial housing frequently fails from other causes before it reaches the theoretical basis for the rated life. Thus, selection of housing style, seal type, mounting method, specific lubricant, etc., must also be considered to optimize life on the actual application.

### Adjusted Rating Life

While actual results or "usable" bearing life is the primary interest of both those who design and those who utilize bearings, a great many factors impact the translation of "theoretical" rated capacity into actual performance. Once the theoretical bearing L<sub>10</sub> life has been calculated, it can be adjusted for higher reliability, special bearing material properties, and/or operating condition effects on lubrication. Detailed information can be obtained from the Rexnord Engineering Department.

## Theoretical Bearing L<sub>10</sub> Life Calculation

While bearings are usually selected on the basis of capacity, there are occasions when they are selected based on calculated L<sub>10</sub> life. The L<sub>10</sub> life is defined as the number of revolutions (or hours) that 90% of a group of bearings will meet or exceed before evidence of raceway spalling fatigue occurs. The L<sub>10</sub> life can be calculated using the following empirical formula:

### Roller Bearing:

$$L_{10} = \frac{1 \times 10^6}{60 \times \text{RPM}} \left( \frac{C}{P_e} \right)^{10/3} = \text{Life in Hours}$$

### Ball Bearing:

$$L_{10} = \frac{1 \times 10^6}{60 \times \text{RPM}} \left( \frac{C}{P} \right)^3 = \text{Life in Hours}$$

where C = C Rating

P<sub>e</sub> = Equivalent Radial Load or Required Radial Capacity

The basic dynamic load ratings, C, in this catalog have been increased significantly compared to previous values. Improved surface characteristics have been produced primarily by improving manufacturing and measuring techniques for the race surfaces. Along with the capability to rotate under higher loads, the static load ratings, Co, have also been increased.

With the larger load ratings it may be possible to use smaller bearings (size code) for a given application. Caution is advised in such cases to consider the strength of the shaft and housing—especially when the applied load is not aimed directly into the machined mounting surface.

## Bearing Selection

Optimum bearing performance is the result of selecting the bearing and the shaft to suit the particular application. Bearing size is often controlled by a shaft size selection, based on shaft bending and torsional stresses. In other applications, bearing load capacity is the determining design factor. In either case, the selection procedure outlined below is used to determine the bearing capacity required to meet the application requirements.

### Bearing Selection Procedure

This procedure involves conversion of all forces and conditions into one resultant equivalent radial load on each bearing and utilization of the bearing load rating table.

#### STEP 1.

Determine all forces acting on the bearings. The following types of loading must be considered.

- A. Static loads - weight of shaft assembly and other equipment supported by the bearings. (When these are small in relation to applied loads they are often disregarded).
- B. Applied loads - forces applied on shaft during normal function of equipment and are determined prior to bearing selection.
- C. Drive loads - forces transmitted from power source to the shaft through belts, chains, gears, etc. (see Drive Load).
- D. Eccentric loads - centripetal force due to a designed unbalanced load rotating with shaft (see Eccentric Loads).

#### STEP 2.

Resolve the radial forces acting on the shaft into radial loads on each bearing. (See Translation of Shaft Forces into Bearing Loads)

#### STEP 3.

Combine the radial forces vertically to obtain a resultant radial load ( $P_r$ ) at each bearing (see combining radial loads).

#### STEP 4.

Add or subtract all thrust forces (if any) to determine the total thrust load ( $P_t$ ) acting on the shaft. Assume this thrust load is acting at the bearing with the greatest radial load ( $P_r$ ).

#### STEP 5.

Calculate the equivalent radial load ( $P_e$ ) using the applicable thrust formula. If no thrust is present, then  $P_e = P_r$ . (See selection guides)

#### STEP 6.

Apply the modification factors ( $M$ ) and obtain a required radial capacity ( $P$ ) to reflect actual application conditions. (See Load Modification Factors)

$$P = P_e \times M$$

#### STEP 7.

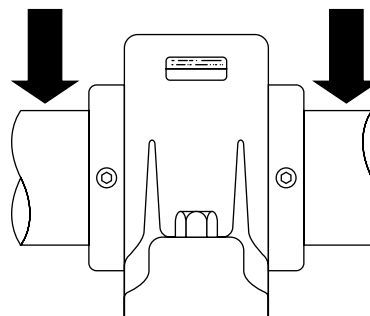
Select a bearing size from the load rating table at the front of each section. Use the largest calculated Required Radial Capacity value ( $P$ ) and the application speed and life requirements in making the optimum selection. Usually, a single set collar bearing provides an adequate, economic selection. However, in applications involving shock and vibration, increased rigidity, or when shaft locking or housing strength is desired, a double set or adapter mount unit should be specified.

NOTE: If bearing selection has been made without consideration of shaft strength, shaft size (as indicated by bearing bore) should be checked.

### Applied Loads

Each shaft performs a basic work function in a system, regardless of the type or style of equipment. The forces relating to this work function normally represent the primary load on the shaft and are most accurately determined by those responsible for total equipment design. When this load information is supplied, these loads are combined with other loadings to determine a bearing selection.

### Radial Loads



### Drive Loads

To determine the radial force on a shaft from a belt or chain drive where the horsepower being transmitted is known, the following formula should be used:

$$F = \frac{HP \times 126,000 \times K}{PD \times RPM} \quad \text{Formula (1)}$$

Where:

- F - Radial Force on Shaft
- HP - Horsepower transmitted
- PD - Pulley diameter or pitch diameter of sprocket or sheave in inches.
- RPM - Revolutions per minute
- K - See Drive Tension Factors (below)
- 126,000 - A constant for conversion of horsepower, speed and pulley diameter to radial pounds of force.

### Drive Tension Factors - K:

While subject to considerable variations due to different installation and maintenance practice, the following Drive Tension Factors "K" are recommended for normal applications:

### "K" Factors

| Type of Drive          | Normal Tension | 4 or more V-belts, Tight Belts, Short Centers, High Ratios |
|------------------------|----------------|--|
| Chain                  | 1              | 1  |
| V-belts (1 to 3 belts) | 1.5            | 2  |
| Flat Belts             | 2              | 3  |

### Eccentric Loads

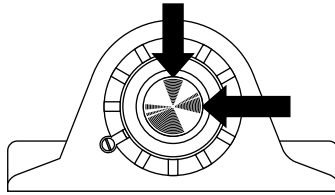
An unbalanced shaft generates a centripetal force which acts radially on the shaft per the following formula:

$$C.F. = .000028 \times r \times W \times (RPM)^2 \quad \text{Formula (2)}$$

C.F. = Centripetal Force (Lbs.)  
 $r$  = Radius of rotation of unbalanced load in inches  
 $W$  = Weight of unbalanced load in lbs.  
 RPM = Revolutions per minute

Since the centripetal force varies in direction it should be added to the maximum combined load from other sources. A modification factor (see Load Modification Factors) must also be included on this type loading.

## Bearing Selection



### Translation of Shaft Forces into Bearing Loads

Any radial force (F) can be resolved into individual loads on each bearing. The amount of load supported by each bearing is determined from the summation of moments using the following formulas:

When the load (F) is between supports, it produces bearing loads (Fa, Fb) in same direction on both bearings (A & B), and equal to the applied load. (F = Fa + Fb).

An overhung load produces a bearing load (Fa) in the opposite direction of the far bearing (A); and since a lever arm is involved, the magnitude of load (Fb) on nearest bearing (B) will be greater than the overhung load (F), by the amount of load (Fa) on far bearing (A). (F = Fb - Fa).

$$F_a = \frac{F \times e}{c}$$

Formula (3)

$$F_b = \frac{F \times d}{c}$$

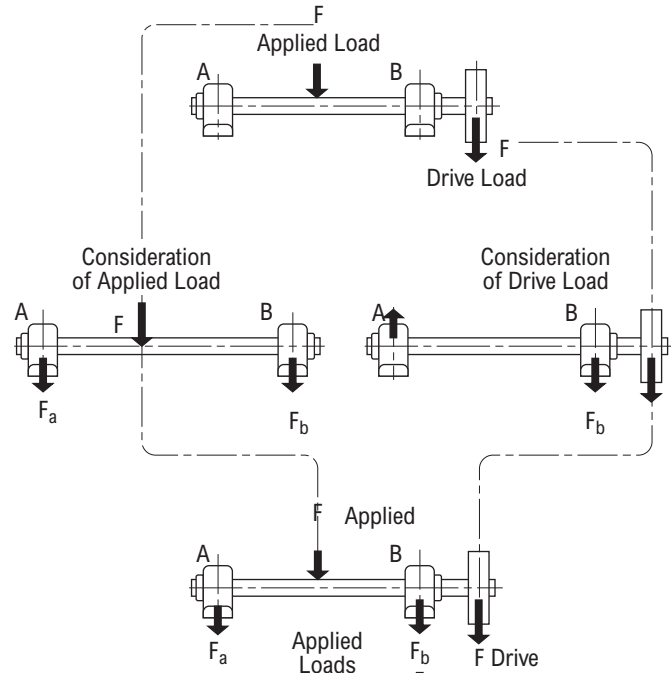
Formula (4)

Note Direction of Forces Fa, Fb

- F - Force on shaft required to transmit power and or other radial forces acting on shaft from one point
- Fa - Radial force on bearing "A"
- Fb - Radial force on bearing "B"
- c - Distance between bearing centerlines in inches
- d - Distance between centerline of bearing "A" and force "F" in inches
- e - Distance between centerline of bearing "B" and force "F" in inches

### Combining Radial Loads

Typical applications involve both an applied load and a drive load. Normal Engineering Procedure would be to treat each load source separately, but to ultimately combine these loads as shown below:



In applications where all loads are in the same plane, the forces can be added or subtracted. However, in most applications, all radial forces are not in the same direction. Where two or more radial forces are not in the same plane, these forces should be changed to vertical and horizontal components as shown by the following formula:

$$F_v = \text{Force } F \text{ Sine } \angle \quad \text{Formula (5)}$$

$$F_h = \text{Force } F \text{ Cos } \angle \quad \text{Formula (6)}$$

Where:

Fv = Vertical component in lbs.

Fh = Horizontal component in lbs.

Sine  $\angle$  = Sine of angle between force "F" and horizontal

Cos  $\angle$  = Cos of angle between force "F" and horizontal

These horizontal and vertical components are combined to obtain a net horizontal force (Prh) and a net vertical force (Prv). The resultant radial force on a bearing is determined as follows:

$$P_r = \sqrt{P_{rv}^2 + P_{rh}^2} \quad \text{Formula (7)}$$

Where:

Pr = Resultant radial load

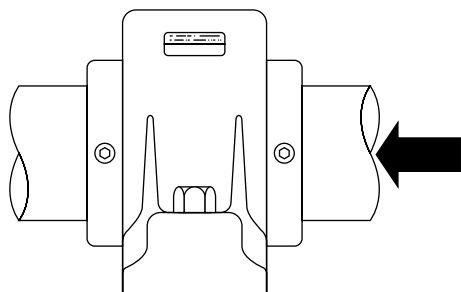
Prv = Total vertical radial load

Prh = Total horizontal radial load

Resultant radial loads (Pr) can also be determined graphically, using vectors representing both size and direction of imposed loads.

## Bearing Selection

### Pure Thrust Loads



Centrifugal pumps, propellers, drilling equipment, vertical shafts and screw conveyors represent types of equipment where one of the bearings supporting the shaft may be required to take primarily thrust loads. Rex units are capable of taking thrust loads in either direction.

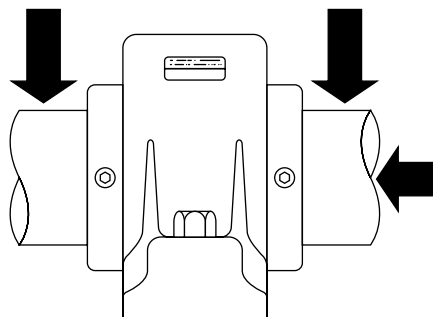
Thrust load ratings for units may be obtained as follows:

$$\text{Thrust Rating} = \frac{\text{Catalog Radial Load Rating}}{\text{Maximum Thrust Factor}} \quad \text{Formula (8)}$$

The "Thrust Rating" is the maximum thrust load a bearing can withstand at the selected RPM and  $L_{10}$  Life.

NOTE: Assume thrust load is supported by one bearing only. High thrust loads require special shaft and mounting considerations. Installation must also be considered to assure maximum performance.

### Combined Radial and Thrust Loads



In many applications such as, helical, bevel or spiral-bevel gears the bearings are required to carry combined radial and thrust loads. Rex Bearings are in effect two single-row angular contact bearings having a common inner race with a spherical surface. They are, therefore, capable of carrying both radial and thrust loads in either direction.

For purposes of selection, it is always advisable to assume that, if any thrust loading is present, it is carried by the bearing with the heaviest radial load. (In most applications it is almost impossible to split a thrust load between two or more bearings. Also, unless floating units are used, it is difficult to mount bearings so that only one specific bearing carries all the thrust load imposed on a shaft.)

When both thrust and radial loads are involved, the formulas in the Thrust Table are used. The formula combine both loads into an equivalent radial load for which a bearing may be selected from the Load Rating Table. The correct formula is selected based upon size of the unit and percentage of thrust to radial load involved.

### Equivalent Radial Load

When selecting a bearing for an application involving thrust loading, a shaft size range must be determined or estimated and bearing series decided to obtain a formula from the Thrust Table below. When a specific bearing has been selected from the Radial Load Rating Table as a result of the use of this formula from the Thrust Table, and its shaft size or style is outside the range of the original formula, the selection is not valid and the equivalent radial load ( $P_e$ ) must be recalculated using the new formula related to that shaft size and bearing series.

## Load Modification Factors

Normal calculations of bearing loads do not take into consideration special load conditions such as oscillatory, shock, or variable loads. To take such conditions into account, load modification factors are applied to the calculated load. These factors, whether termed load modification factors, application factors, or service factors, are all intended to allow extra bearing capacity to offset inordinate loading conditions.

Since factor selection is always a matter of judgement, even personnel experienced in bearing selection and application vary in their assessment of factors for individual application conditions.

The factors listed below are intended only as a general guide and may be adjusted for particular situations.

### Oscillatory Loads

Some bearing applications involve shaft oscillation instead of complete rotation. The table below lists the M factors corresponding to the maximum included angle of oscillation. The applied load is multiplied by this M factor to determine the equivalent radial load. When using the load rating tables, the vertical column headings represent cycles per minute instead of RPM.

Basic failure mode changes at oscillation angles below 30° - consult Rexnord.

### Oscillation Factors

| $\varphi$ | 30  | 60  | 90  | 120 | 150 | 180  |
|-----------|-----|-----|-----|-----|-----|------|
| M         | .58 | .72 | .81 | .89 | .95 | 1.00 |

$\varphi$  = Included oscillation angle - degrees

M = Modifying factor.

### Shock Loads

Shock is an actual dynamic load on the bearing. Consequently capacity must be allocated to handle shock loading in addition to the basic dynamic loading normally calculated or analyzed in an application.

### Shock Factors

| Operating Condition              | Frequency Overload |              |                 |
|----------------------------------|--------------------|--------------|-----------------|
|                                  | Occasional 33%     | Frequent 67% | Continuous 100% |
| No Shock                         | 1.00               | 1.00         | 1.00            |
| Light Shock                      | 1.14               | 1.24         | 1.33            |
| Moderate Shock                   | 1.32               | 1.52         | 1.67            |
| Heavy Shock or Extreme Vibration | 1.52               | 1.80         | 2.00            |

### Resultant Load

The Resultant Radial Load  $P_r$  or Equivalent Radial Load  $P_e$  multiplied by selected Modifying Factors will give the Required Radial Capacity  $P$  in terms of catalog load rating tables.

For Radial Load Only:

$$P = P_r \times M \quad \text{Formula (9)}$$

For combined Radial and Thrust Loads as well as Thrust Loads:

$$P = P_e \times M \quad \text{Formula (10)}$$

If safety factors or other allowances have been included in the initial bearing loads to reflect application conditions, then do not duplicate those factors from the following table to avoid exaggerating bearing

loads. In case two or more factors are involved, the values should be multiplied together to obtain the combined "M" Factor.

### Variable Loads

In many cases, a bearing is subjected to varying loads and speeds.

The following formula calculates the equivalent load on the bearing when this occurs.

$$P_e = \sqrt[3.33]{\frac{P_1^{3.33}n_1t_1 + P_2^{3.33}n_2t_2 + \dots + P_n^{3.33}n_nt_n}{N}} \quad \text{Formula (11)}$$

where  $P_1, P_2, P_n$  are the loads (in lbf) acting at speeds  $n_1, n_2, n_n$  (in rpm)

$t_1, t_2, t_n$  are the durations (in decimal percentage) of each load and speed

$$N = t_1n_1 + t_2n_2 + \dots + t_nn_n$$

For cases where the load is variable but the speed is constant, the following simplified formula is used:

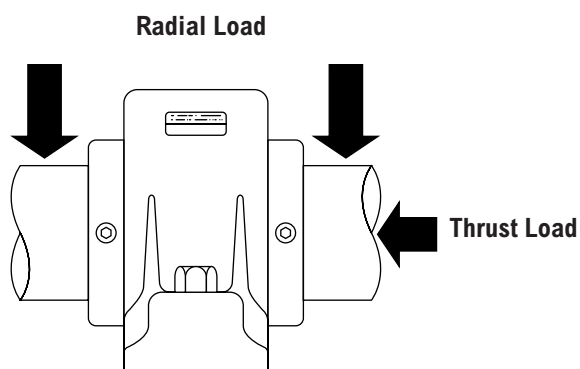
$$P_e = \sqrt[3.33]{P_1^{3.33}t_1 + P_2^{3.33}t_2 + \dots + P_n^{3.33}t_n} \quad \text{Formula (12)}$$

When the load varies from a minimum to a maximum load and is a continuous and gradual change, the equivalent load is calculated using the following formula:

$$P_e = \frac{P_{min} + 2P_{max}}{3} \quad \text{Formula (13)}$$

For calculations of more complex loading conditions, consult the Rexnord Bearing Engineering Department.

## Application Example



Determine the Flange Block Requirements for the Mixing Tub as shown:

| Operating Data             | Symbol | Value       |
|----------------------------|--------|-------------|
| Wt. of mixing tub and load | W      | 2400 lbs.   |
| Horsepower                 | HP     | 10          |
| Speed                      | RPM    | 200         |
| "K" Factor                 | K      | 2           |
| Sheave Pitch Dia.          | PD     | 14"         |
| Bearing "A" to "B"         | c      | 24"         |
| Bearing "A" to Sheave      | d      | 32"         |
| Bearing "B" to Sheave      | e      | 8"          |
| L-10 Life required         | -      | 15,000 Hrs. |

Radial force on shaft from V-Belt drive (F) is calculated by using formula (1),

$$F = \frac{HP \times 126,000 \times K}{PD \times RPM} = \frac{10 \times 126,000 \times 2}{14 \times 200} = 900 \text{ lbs.}$$

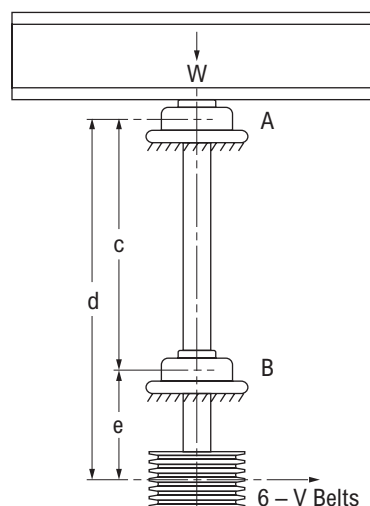
F1 load from drive, will produce radial loads on bearings "A" and "B." These radial loads are determined by using formulae (3) and (4)

### Bearing "A"

$$F_a = \frac{F \times e}{c} = \frac{900 \times 8}{24} = 300 \text{ lbs.}$$

$$F_b = \frac{F \times d}{c} = \frac{900 \times 32}{24} = 1200 \text{ lbs.}$$

A bearing selection is made based upon bearing "B" because it carries the greater radial load. The total thrust load, 2400 lbs. from the weight of the mixing tub and load should also be considered as acting on that bearing.



The thrust and radial loads are combined to an equivalent radial load by selecting the proper X, Y Factors in the Bearing Selection Guide.

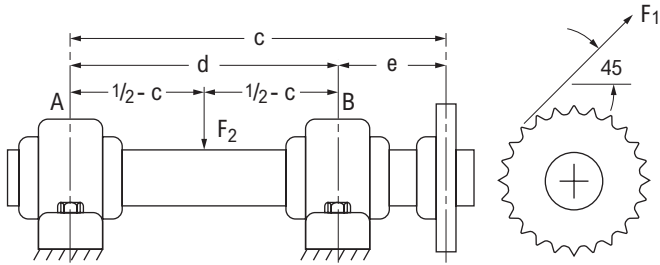
In this case use:

$$P_e = .67 P_r + 2.60 P_t = .67 (1200) + 2.60 (2400) \\ = 804 + 6240 = 7044$$

Referring to the Rexnord Roller Bearing Radial Load Rating Table, a size code 9 bearing has a rating of 9855 lbs. at 200 rpm and 15,000 hours life. Using the derating factor at the bottom of the table, a Normal Duty 2211 bearing has a rating of  $(1-.15) \times 9855 = 8377$  lbs. This exceeds the 7044 lbs. of equivalent radial load that was calculated so the 2211 is satisfactory. Therefore, a ZB2211 Normal Duty Flange Block would be selected. Using the formula and C, the bearings L<sub>10</sub> life would be:

$$L_{10} = \frac{1 \times 10^6}{60 \times 200} \left[ \frac{46,800 \times .85}{7044} \right]^{10/3} = 26,728 \text{ hours}$$

## Application Example - Chain and Belt Drives



Radial load on bearings consist of two parts: from the dead load and from the drive. Because these loads act in different directions, they will have to be combined by using formula 5, 6 and 7.

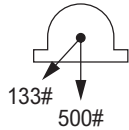
### Bearing "A"

Load from weight in center of shaft:

$$F_{2a} = \frac{1000}{2} = 500 \text{ lbs. because weight is centered between both bearings. Load is downward.}$$

Load from drive:

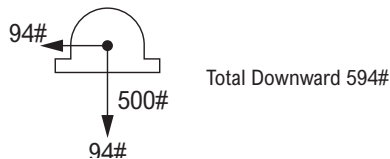
$$F_{1a} = \frac{F_1 \times e}{c} = \frac{1200 \times 10}{90} = 133 \text{ lbs. at } 45^\circ \text{ downward}$$



To combine the loads, the 133 lb. load must be broken up into vertical and horizontal loads.

$$F_v = F_{1a} \times \sin 45^\circ = 133 \times .707 = 94 \text{ lb. vertical downward}$$

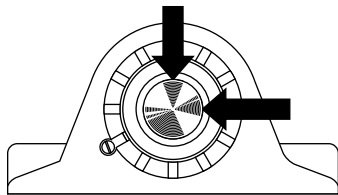
$$F_h = F_{1a} \times \cos 45^\circ = 133 \times .707 = 94 \text{ lb. horizontal}$$



Now combine the total downward load and horizontal load.

$$P_r = \sqrt{(94)^2 + (594)^2} = 602 \text{ lbs. radial load on "A"}$$

### Combined Radial Loads



Determine the pillow block requirements for the application shown below:

| Operating Data                | Symbol | Value       |
|-------------------------------|--------|-------------|
| Load from drive               | F1     | 1200 lbs.   |
| Dead load on shaft            | F2     | 1000 lbs.   |
| Speed                         | RPM    | 1000        |
| L <sub>10</sub> Life required | -      | 15,000 Hrs. |
| Bearing "A" to "B"            | c      | 90"         |
| Bearing "A" to sprocket       | d      | 100"        |
| Bearing "B" to sprocket       | e      | 10"         |
| Sin 45°                       |        | .707        |
| Cos 45°                       |        | .707        |

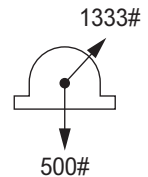
### Bearing "B"

Load from weight in center of shaft:

$$F_{2b} = \frac{1000}{2} = 500 \text{ lbs. downward}$$

Load from drive:

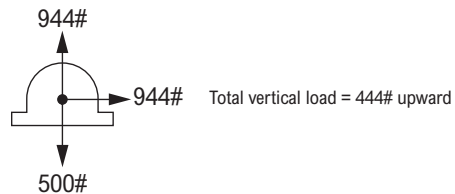
$$F_{1b} = \frac{F_1 \times d}{c} = \frac{1200 \times 100}{90} = 1333 \text{ lbs. at } 45^\circ \text{ upward}$$



Now break up the 1333 lb. load into horizontal and vertical

$$F_v = F_{1b} \times \sin 45^\circ = 1333 \times .707 = 944 \text{ lbs. vertical upward}$$

$$F_h = F_{1b} \times \cos 45^\circ = 1333 \times .707 = 944 \text{ lbs. horizontal}$$



Now combining the total upward load and horizontal load

$$P_r = \sqrt{(444)^2 + (944)^2} = 1042 \text{ lbs. radial load on "B"}$$

Bearing selection will be based on Bearing "B" because it has the highest load of the two bearings. Referring to the Rexnord Roller Bearing Radial Load Rating Table, a size code 3 bearing has a rating of 1858 lbs. at 1000 rpm and 15,000 hours life. Using the derating factor at the bottom of the table, a Normal Duty 2102 bearing has a rating of (1-.15) X 1858 = 1579 lbs. This exceeds the 1042 lbs. of equivalent radial load that was calculated for Bearing "B" so the 2102 is satisfactory. Therefore, a ZA2102 Normal Duty Pillow Block would be selected.

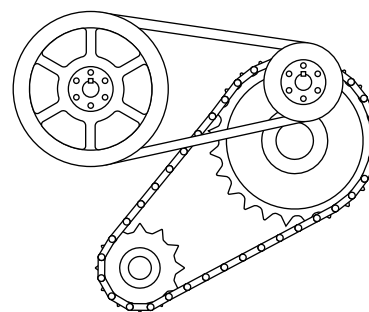
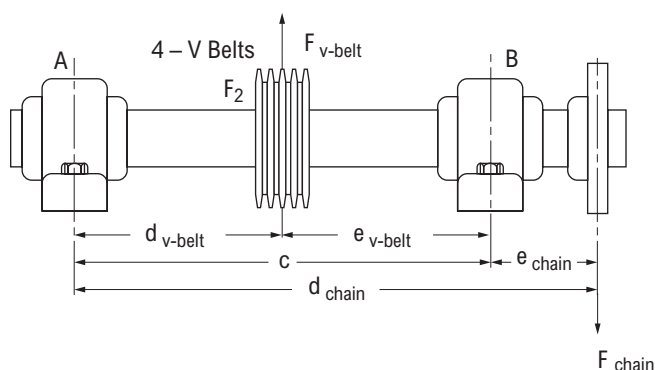
Using the formula and the C Rating, the bearings L<sub>10</sub> life would be:

$$L_{10} = \frac{1 \times 10^6}{60 \times 1000} \left[ \frac{14,300 \times .85}{1042} \right]^{10/3} = 59,949 \text{ hours}$$



## Application Example - Chain and Belt Drives

Determine the pillow block requirements for the jack shaft driven by a chain sprocket and power take-off through a 4-V Belt Sheave as shown:



| Operating Data                | Symbol               | Value       |
|-------------------------------|----------------------|-------------|
| Horsepower                    | HP                   | 30          |
| Speed                         | RPM                  | 200         |
| L <sub>10</sub> Life required | -                    | 80,000 Hrs. |
| "K" Factor                    | K <sub>v-belt</sub>  | 2           |
| "K" Factor,                   | K <sub>chain</sub>   | 1           |
| Sprocket Pitch Dia            | PD <sub>chain</sub>  | 10"         |
| Sheave Pitch Dia              | PD <sub>v-belt</sub> | 15"         |
| Bearing "A" to "B"            | c                    | 20"         |
| Bearing "A" to sheave         | d <sub>v-belt</sub>  | 10"         |
| Bearing "A" to sprocket       | d <sub>chain</sub>   | 30"         |
| Bearing "B" to sheave         | e <sub>v-belt</sub>  | 10"         |
| Bearing "B" to sprocket       | e <sub>chain</sub>   | 10"         |

Radial force on shaft from chain drive ( $F_{chain}$ ) is calculated by using Formula (1).

$$F_{chain} = \frac{HP \times 126,000 \times K}{PD \times RPM} = \frac{30 \times 126,000 \times 1}{10 \times 200} = 1890 \text{ lbs.}$$

(NOTE: Chain pull in this case is downward)

Radial force on shaft from V-Belt power take-off ( $F_{v-belt}$ ) is calculated by using Formula (1).

$$F_{v-belt} = \frac{HP \times 126,000 \times K}{PD \times RPM} = \frac{30 \times 126,000 \times 2}{15 \times 200} = 2520 \text{ lbs.}$$

(NOTE: V-belt pull in this case is upward)

Radial load on bearings is now determined by combining resulting loads from both chain pull and V-Belt pull using Formula (3) and (4).

### Bearing "A"

Load from chain pull

$$F_a = \frac{F_{chain} \times e_{chain}}{c} = \frac{1890 \times 10}{20} = 945 \text{ lbs.}$$

(NOTE:  $F_a$  from chain pull is upward)

Load from V-Belt pull

$$F_a = \frac{F_{v-belt} \times e_{v-belt}}{c} = \frac{2520 \times 10}{20} = 1260 \text{ lbs.}$$

(NOTE:  $F_a$  from V-Belt is upward)

Combining both  $F_a$ s and because both loads are upward add both loads to get total:

$$\text{Total load on "A"} = 945 \text{ lbs.} + 1260 \text{ lbs.} = 2205 \text{ lbs.}$$

### Bearing "B"

Load from chain pull

$$F_b = \frac{F_{chain} \times d_{chain}}{c} = \frac{1890 \times 30}{20} = 2835 \text{ lbs.}$$

(NOTE:  $F_b$  from chain pull is downward)

Load from V-Belt pull

$$F_b = \frac{F_{v-belt} \times d_{v-belt}}{c} = \frac{2520 \times 10}{20} = 1260 \text{ lbs.}$$

(NOTE:  $F_b$  from V-Belt is upward)

Combining both  $F_b$ s and because one load is upward and one is downward, subtract to get total:

$$\text{Total load on "B"} = 2835 \text{ lbs.} - 1260 \text{ lbs.} = 1575 \text{ lbs.}$$

Bearing selection will be based on Bearing "A" because it has the highest load of the two bearings. Referring to the Rexnord Roller Bearing Radial Load Rating Table, a size code 7 bearing has a rating of 3466 lbs. at 200 rpm and 80,000 hours life. Using the derating factor at the bottom of the table, a Normal Duty 2203 bearing has a rating of  $(1-.15) \times 3466 = 2946$  lbs. This exceeds the 2205 lbs. of equivalent radial load that was

calculated for Bearing "A" so the 2203 is satisfactory. Therefore, a ZA2203 Normal Duty Pillow Block would be selected.

Using the formula and the C Rating, the bearings L<sub>10</sub> life would be:

$$L_{10} = \frac{1 \times 10^6}{60 \times 200} \left[ \frac{27,200 \times .85}{2205} \right]^{10/3} = 210,092 \text{ hours}$$



## Why Choose Rexnord?

When it comes to providing highly engineered products that improve productivity and efficiency for industrial applications worldwide, Rexnord is the most reliable in the industry. Commitment to customer satisfaction and superior value extend across every business function.

### Delivering Lowest Total Cost of Ownership

The highest quality products are designed to help prevent equipment downtime and increase productivity and dependable operation.

### Valuable Expertise

An extensive product offering is accompanied by global sales specialists, customer service and maintenance support teams, available anytime.

### Solutions to Enhance Ease of Doing Business

Commitment to operational excellence ensures the right products at the right place at the right time.

## Rexnord Corporation

Rexnord is a growth-oriented, multi-platform industrial company with leading market shares and highly trusted brands that serve a diverse array of global end markets.

### Process and Motion Control

The Rexnord Process and Motion Control platform designs, manufactures, markets and services specified, highly engineered mechanical components used within complex systems where our customers' reliability requirements and the cost of failure or downtime are extremely high.

### Water Management

The Rexnord Water Management platform designs, procures, manufactures and markets products that provide and enhance water quality, safety, flow control and conservation.



**Rex**® **FALK** **Link-Belt**® **mar/bett**® **MCC** **BERG** **highfield** **Stearns**®